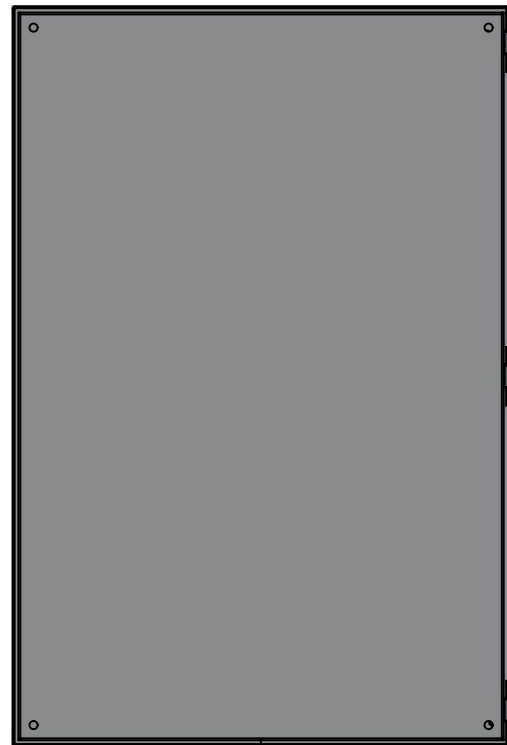


This drawing is confidential and must not be reproduced or used without the consent of EXM

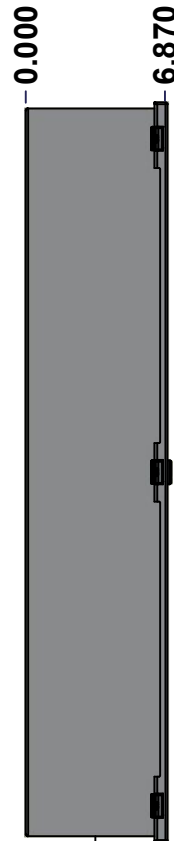
Ce dessin est confidentiel et ne doit pas être reproduit ou utilisé sans le consentement de EXM



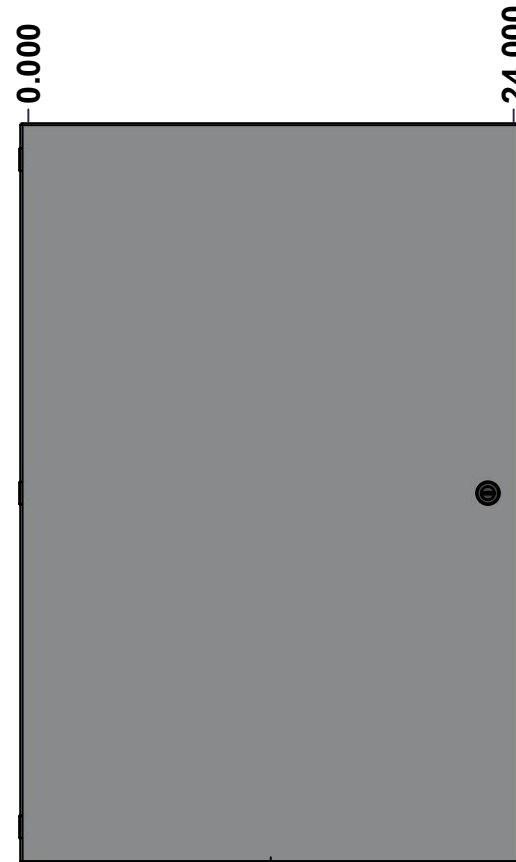
TOP



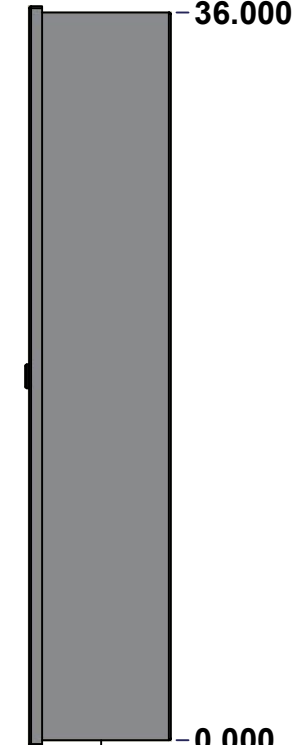
BACK



LEFT



FRONT

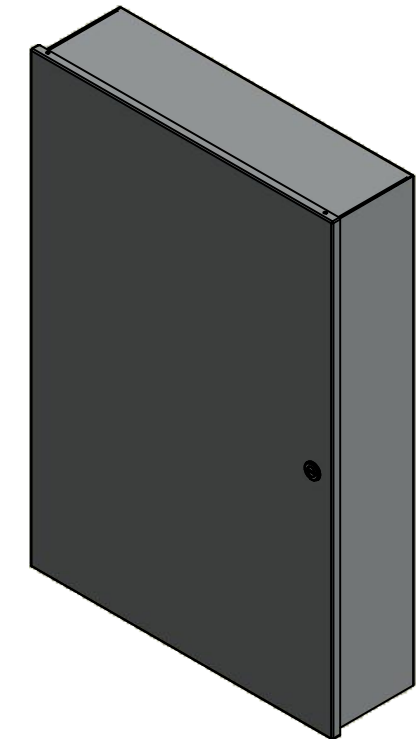


RIGHT



BOTTOM

| No. | Revisions | Date | By/Par |
|-----|-----------|------|--------|
| | | | |
| | | | |
| | | | |
| | | | |



Isometric View

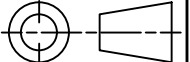


Tél: (450) 979-4373
 Fax: (450) 979-4626
www.exmweb.com

Flatness
Aplatissement

Max 3.0mm

Projection



| | |
|---|-----------------------|
| Customer Client | Date |
| Drawn By Dessiné Par BoxCad: BoxCad | Date 12/24/2013 |
| Material Matière 14 Ga Cold Rolled A1008 CS Type B (1.7mm) | |
| Color Couleur Asa-61 Grey | Finish Fini Smooth |

| | |
|--|-------------|
| Description 1100 36" x 24" x 6.87" Assembly | Detail Rev. |
|--|-------------|

| | | |
|-----------------------------|------|---|
| Part Number Numéro Pièce | Rev. | 1 |
| 1100362406 | 0 | 9 |

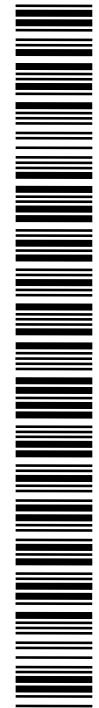
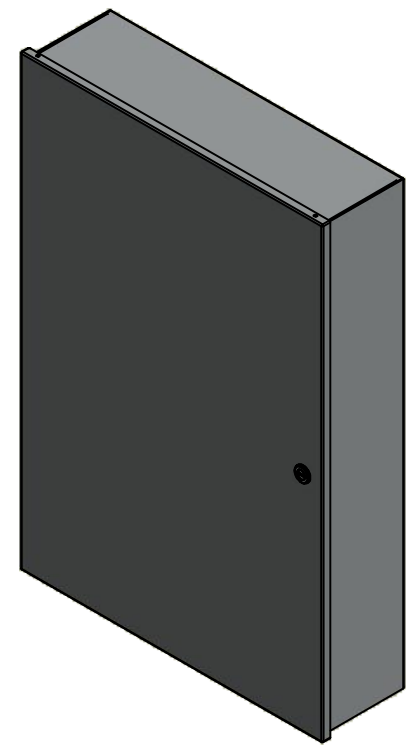
SEE BILL OF MATERIAL ON LAST PAGE

This drawing is confidential and must not be reproduced or used without the consent of EXM

Ce dessin est confidentiel et ne doit pas être reproduit ou utilisé sans le consentement de EXM

| NOTE | |
|------|--|
| ITEM | DESCRIPTION |
| 1 | NEMA 1 Enclosure |
| 2 | C/W Standard ground studs on box and cover |
| 3 | W/O Standard door stiffener |
| 4 | W/O Inner panel |
| 5 | C/W Standard inner panel mounting studs |

| No. | Revisions | Date | By/Par |
|-----|-----------|------|--------|
| | | | |
| | | | |
| | | | |
| | | | |
| | | | |
| | | | |



Isometric View



Tél: (450) 979-4373
 Fax: (450) 979-4626
www.exmweb.com



| | |
|---|-----------------------|
| Customer Client | Date |
| Drawn By / Dessiné Par: BoxCad: BoxCad | Date: 12/24/2013 |
| Material / Matière: 14 Ga Cold Rolled A1008 CS Type B (1.7mm) | |
| Color / Couleur: Asa-61 Grey | Finish / Fini: Smooth |

| PACKING | | |
|----------------------|-----|---|
| ITEM | QTY | DESCRIPTION |
| Cardboard sleeve | 1 | Top |
| Thermal plastic film | 1 | Use with Packing Tunnel Wrapper Machine |
| Packaging label | 1 | White label with product number |

| Qty | Part Number | Rev | Description |
|-----|-------------|-----|-----------------------------|
| 1 | 1100362406C | 0 | 1100 36" x 24" Cover |
| 1 | 1100362406B | 0 | 1100 36" x 24" x 6.87" Body |
| 3 | STK-Q-08100 | 1 | M5 Nylon Insert Lock Nut |

Parts List

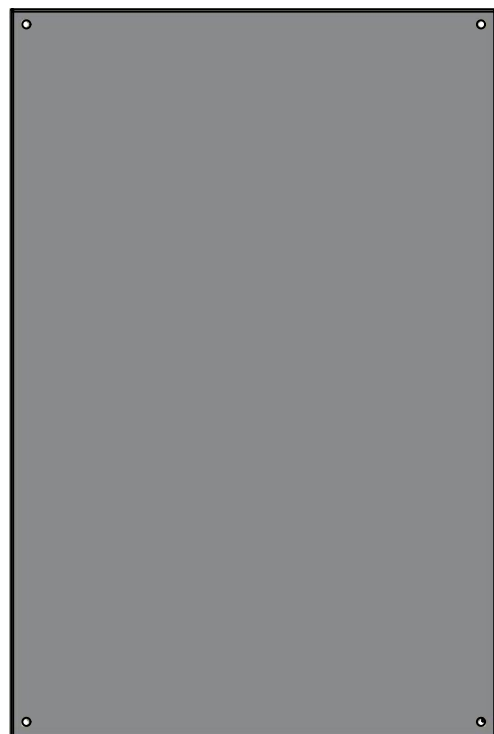
| | | | |
|---|--|-------------|---|
| Description: 1100 36" x 24" x 6.87" Assembly | | Detail Rev. | |
| Part Number / Numéro Pièce: 1100362406 | | Rev.: | 2 |
| | | 0 | 9 |

This drawing is confidential and must not be reproduced or used without the consent of EXM

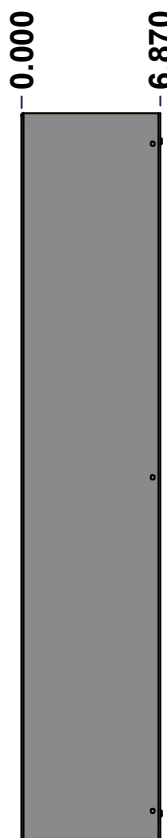
Ce dessin est confidentiel et ne doit pas être reproduit ou utilisé sans le consentement de EXM



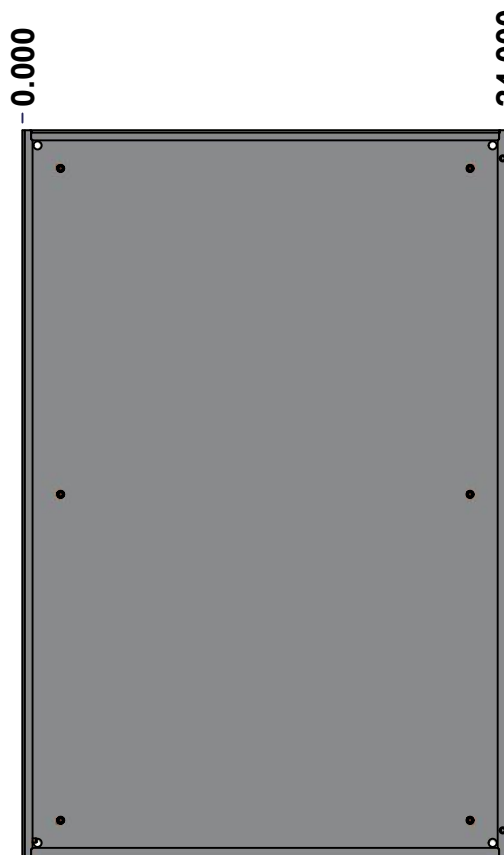
TOP



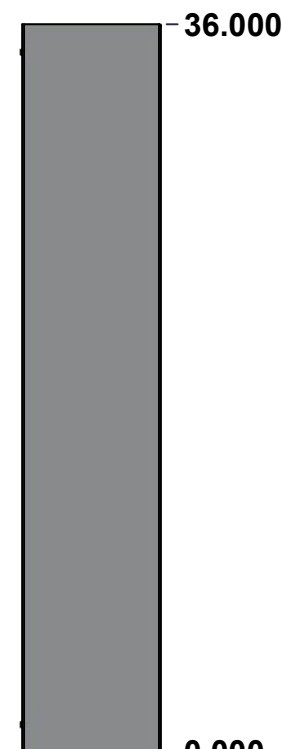
BACK



LEFT



FRONT

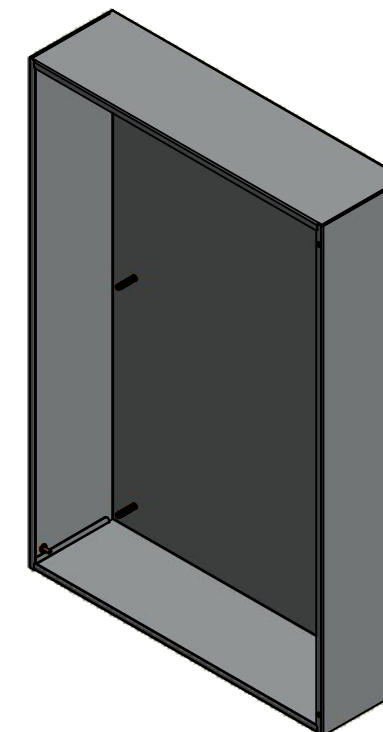


RIGHT




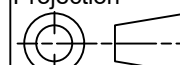
BOTTOM

| No. | Revisions | Date | By/Par |
|-----|-----------|------|--------|
| | | | |
| | | | |
| | | | |
| | | | |
| | | | |



Isometric View



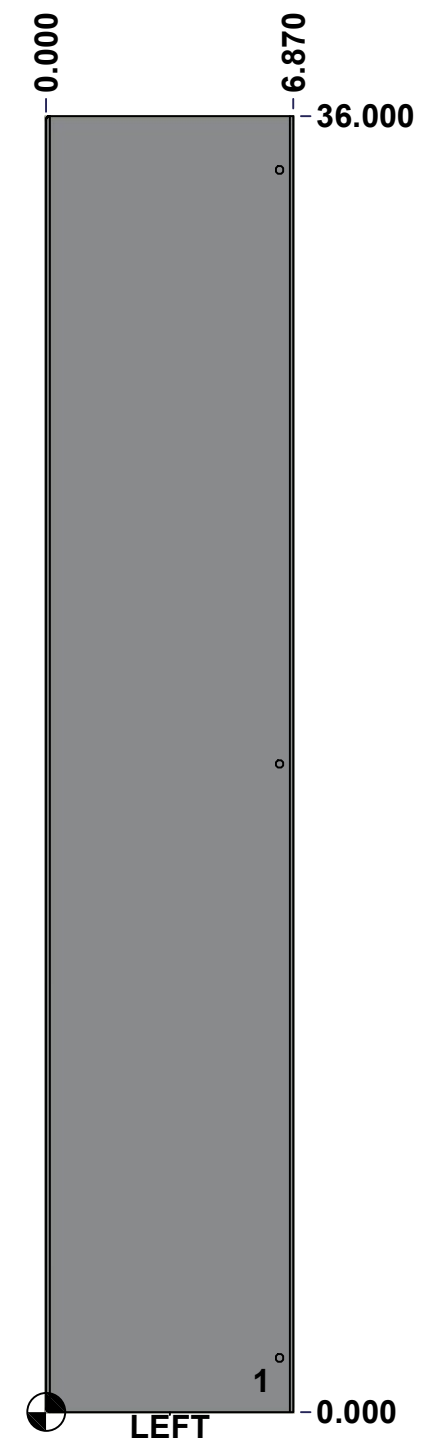
| | |
|--|---|
|  Tél: (450) 979-4373 Fax: (450) 979-4626 www.exmweb.com | Flatness Aplatissement Max 3.0mm |
| | Projection  |
| Customer Client | Date |
| Drawn By Dessiné Par BoxCad: BoxCad | Date 12/24/2013 |
| Material Matière 14 Ga Cold Rolled A1008 CS Type B (1.7mm) | |
| Color Couleur Asa-61 Grey | Finish Fini Smooth |
| Description 1100 36" x 24" x 6.87" Body | Detail Rev. |
| Part Number Numéro Pièce 1100362406B | Rev. 0 |
| | 3 9 |

SEE BILL OF MATERIAL ON LAST PAGE

This drawing is confidential and must not be reproduced or used without the consent of EXM

Ce dessin est confidentiel et ne doit pas être reproduit ou utilisé sans le consentement de EXM

| STANDARD FEATURES ARE NOT LISTED IN THIS HOLE TABLE | | | |
|--|-------|-------|-----------------------------|
| HOLE TABLE - LEFT VIEW (CUSTOM FEATURE ONLY) | | | |
| CUT-OUT | XDIM | YDIM | DESCRIPTION |
| 1 | 5.807 | 0.875 | GND STUD M6 x 16mm (Inside) |



| | | | |
|--|-----------------------------|----------|-----|
| | Description | Status | |
| | 1100 36" x 24" x 6.87" Body | (NULL) | |
| | Part Number Numéro Pièce | Rev. | |
| | 1100362406B | 0 | 4/9 |

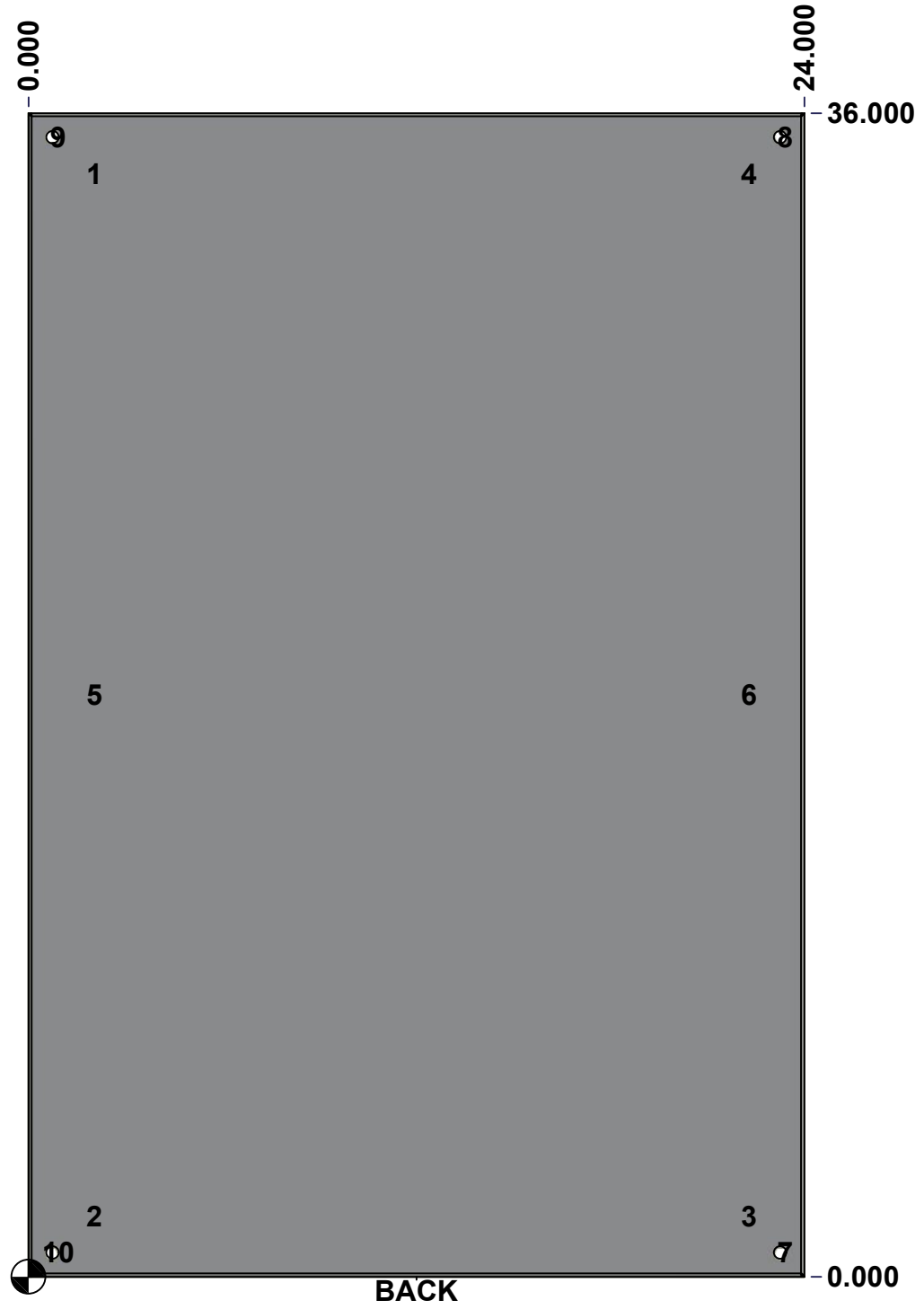
This drawing is confidential and must not be reproduced or used without the consent of EXM

Ce dessin est confidentiel et ne doit pas être reproduit ou utilisé sans le consentement de EXM

STANDARD FEATURES ARE NOT LISTED IN THIS HOLE TABLE

HOLE TABLE - BACK VIEW (CUSTOM FEATURE ONLY)

| CUT-OUT | XDIM | YDIM | DESCRIPTION |
|---------|--------|--------|----------------------------|
| 1 | 1.875 | 34.125 | IP STUD M8 x 35mm (Inside) |
| 2 | 1.875 | 1.875 | IP STUD M8 x 35mm (Inside) |
| 3 | 22.125 | 1.875 | IP STUD M8 x 35mm (Inside) |
| 4 | 22.125 | 34.125 | IP STUD M8 x 35mm (Inside) |
| 5 | 1.875 | 18.000 | IP STUD M8 x 35mm (Inside) |
| 6 | 22.125 | 18.000 | IP STUD M8 x 35mm (Inside) |
| ----- | | | |
| 7 | 23.250 | 0.750 | RND Ø0.390 |
| 8 | 23.250 | 35.250 | RND Ø0.390 |
| 9 | 0.750 | 35.250 | RND Ø0.390 |
| 10 | 0.750 | 0.750 | RND Ø0.390 |

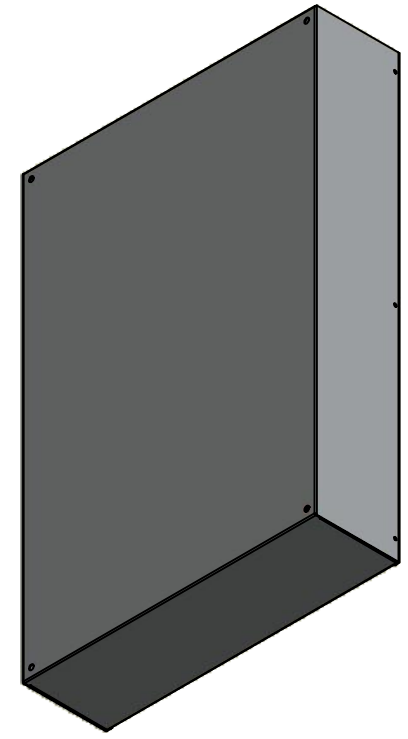


| | | | |
|--|-----------------------------|----------|--------|
| | Description | Status | |
| | 1100 36" x 24" x 6.87" Body | (NULL) | |
| | Part Number Numéro Pièce | Rev. | |
| | 1100362406B | 0 | 5 9 |

This drawing is confidential and must not be reproduced or used without the consent of EXM


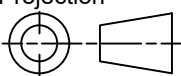
Ce dessin est confidentiel et ne doit pas être reproduit ou utilisé sans le consentement de EXM

| No. | Revisions | Date | By/Par |
|-----|-----------|------|--------|
| | | | |
| | | | |
| | | | |
| | | | |
| | | | |



Isometric View



| | | |
|--|---|---|
|  Tél: (450) 979-4373 Fax: (450) 979-4626 www.exmweb.com | Flatness Aplatissement | Max 3.0mm |
| | Projection |  |
| Customer Client | Date | |
| Drawn By Dessiné Par | BoxCad: BoxCad | Date 12/24/2013 |
| Material Matière | 14 Ga Cold Rolled A1008 CS Type B (1.7mm) | |
| Color Couleur | Asa-61 Grey | Finish Fini Smooth |
| Description | Detail Rev. | |
| 1100 36" x 24" x 6.87" Body | | |
| Part Number Numéro Pièce | Rev. | 6 |
| 1100362406B | 0 | 9 |

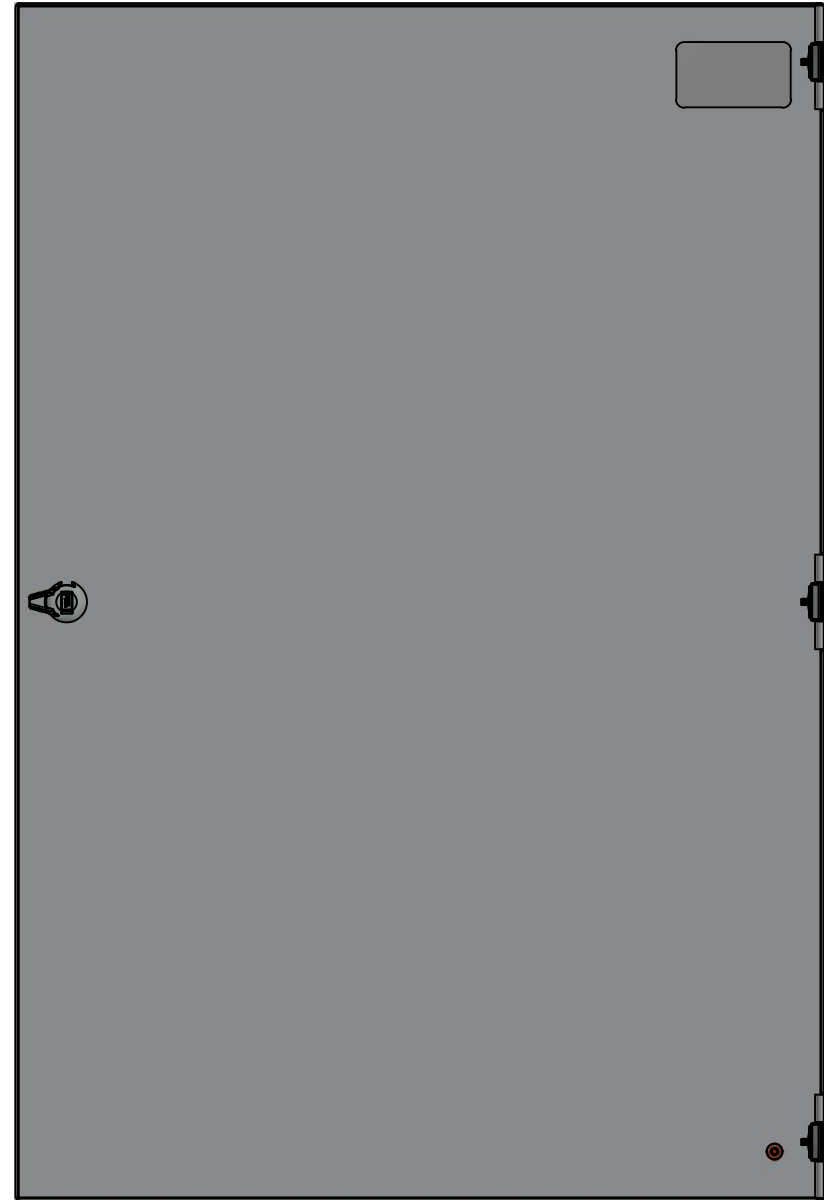
| Qty | Part Number | Rev | Description |
|------------|---------------|-----|--------------------------------------|
| 1 | STK-Q-16080 | 0 | Ground Stud M6 x 16mm |
| 1 | 1100362406B-P | 0 | 1100 36" x 24" x 6.87" Body Part |
| 1 | STK-P-02400S | 0 | Powder Paint (Asa-61 Grey / Smooth) |
| 2 | STK-Q-77110 | 1 | 5412 ES Cover Plastic Plug |
| 6 | STK-Q-16005 | 1 | Stud M8 x 35 (No Paint Cap Required) |
| Parts List | | | |

This drawing is confidential and must not be reproduced or used without the consent of EXM

Ce dessin est confidentiel et ne doit pas être reproduit ou utilisé sans le consentement de EXM



TOP



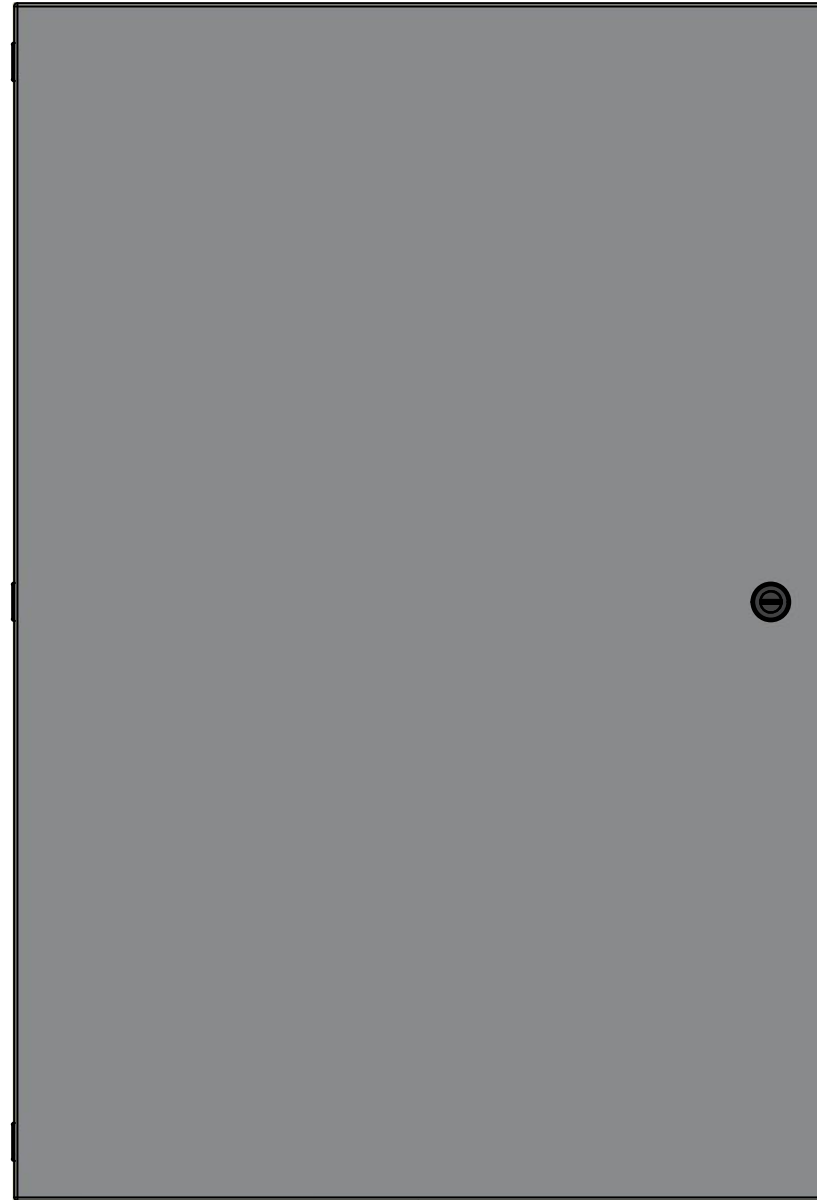
BACK

0.000
0.650



LEFT

0.000



FRONT

24.687

36.592



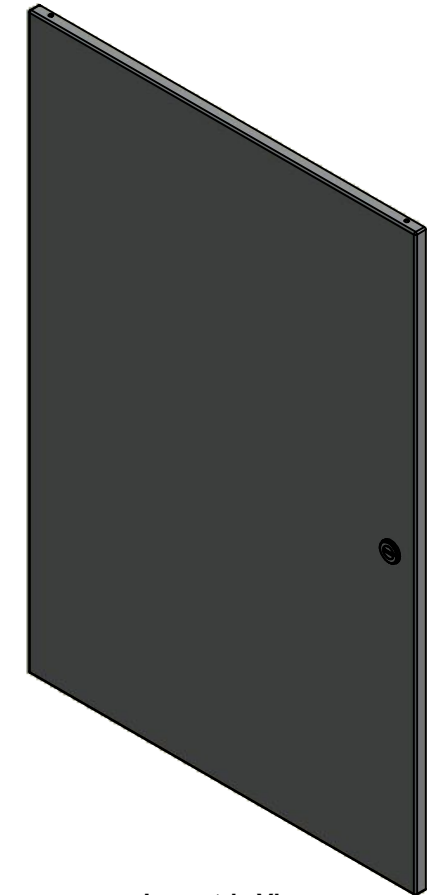
RIGHT

0.000



BOTTOM

| No. | Revisions | Date | By/Par |
|-----|-----------|------|--------|
| | | | |
| | | | |
| | | | |
| | | | |
| | | | |



Isometric View

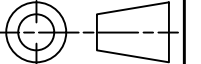


Tél: (450) 979-4373
Fax: (450) 979-4626
www.exmweb.com

Flatness
Aplatissement

Max 3.0mm

Projection



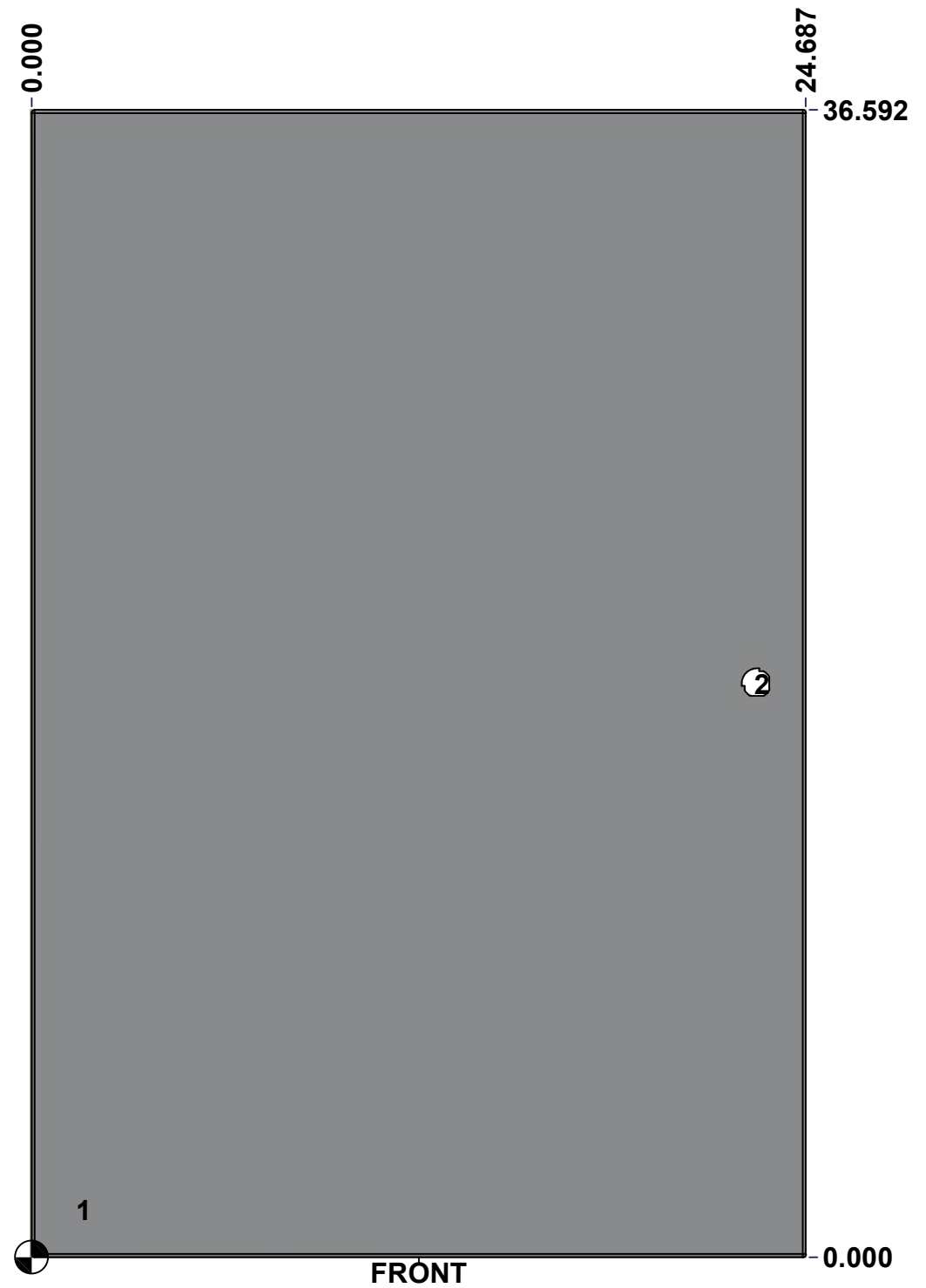
| | |
|---|-----------------------|
| Customer Client | Date |
| Drawn By Dessiné Par BoxCad: BoxCad | Date 12/24/2013 |
| Material Matière 14 Ga Cold Rolled A1008 CS Type B (1.7mm) | |
| Color Couleur Asa-61 Grey | Finish Fini Smooth |
| Description 1100 36" x 24" Cover | Detail Rev. |
| Part Number Numéro Pièce 1100362406C | Rev. 7 0 |

SEE BILL OF MATERIAL ON LAST PAGE

This drawing is confidential and must not be reproduced or used without the consent of EXM

Ce dessin est confidentiel et ne doit pas être reproduit ou utilisé sans le consentement de EXM

| STANDARD FEATURES ARE NOT LISTED IN THIS HOLE TABLE | | | |
|---|--------|--------|-----------------------------|
| HOLE TABLE - FRONT VIEW (CUSTOM FEATURE ONLY) | | | |
| CUT-OUT | XDIM | YDIM | DESCRIPTION |
| 1 | 1.500 | 1.500 | GND STUD M6 x 16mm (Inside) |
| 2 | 23.125 | 18.296 | LOCK 880 SCQ1-SLZ @ 0.0° |

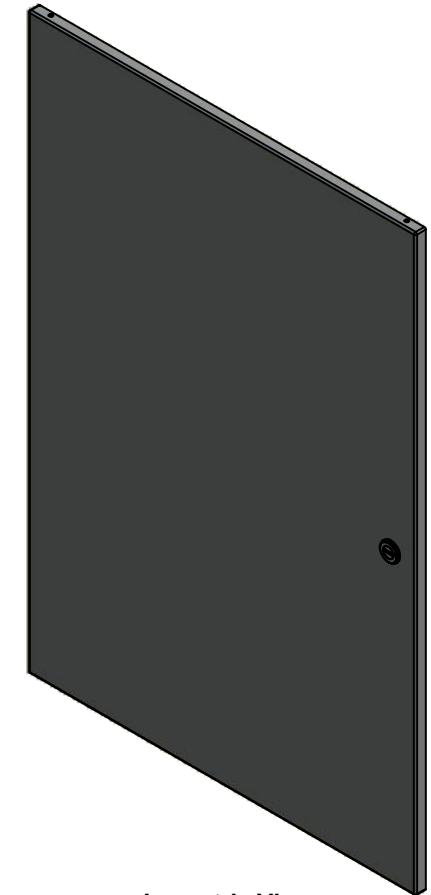


| | | | |
|--|------------------------------|----------|--------|
| | Description | Status | |
| | 1100 36" x 24" x 6.87" Cover | (NULL) | |
| | Part Number Numéro Pièce | Rev. | |
| | 1100362406C | 0 | 8 9 |

This drawing is confidential and must not be reproduced or used without the consent of EXM


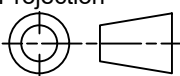
Ce dessin est confidentiel et ne doit pas être reproduit ou utilisé sans le consentement de EXM

| No. | Revisions | Date | By/Par |
|-----|-----------|------|--------|
| | | | |
| | | | |
| | | | |
| | | | |
| | | | |



Isometric View



| | | |
|--|---|---|
|  Tél: (450) 979-4373 Fax: (450) 979-4626 www.exmweb.com | Flatness Aplatissement | Max 3.0mm |
| | Projection |  |
| Customer Client | Date | |
| Drawn By Dessiné Par | BoxCad: BoxCad | Date 12/24/2013 |
| Material Matière | 14 Ga Cold Rolled A1008 CS Type B (1.7mm) | |
| Color Couleur | Asa-61 Grey | Finish Fini Smooth |
| Description | Detail Rev. | |
| 1100 36" x 24" Cover | | |
| Part Number Numéro Pièce | Rev. | 9 |
| 1100362406C | 0 | 9 |

| Qty | Part Number | Rev | Description |
|------------|---------------|-----|--|
| 1 | 880 SCQ1-SLZ | 0 | 1100 1/4 Turn Lock |
| 1 | STK-Q-16080 | 0 | Ground Stud M6 x 16mm |
| 1 | STK-S-00100 | 0 | 3.5" x 2" Silver Milar Flexcon Sticker |
| 1 | STK-P-02400S | 0 | Powder Paint (Asa-61 Grey / Smooth) |
| 1 | 1100362406C-P | 0 | 1100 36" x 24" x 6.87" Cover Part |
| 3 | STK-A-33033 | 4 | 5412 ESMCH Hinge |
| Parts List | | | |