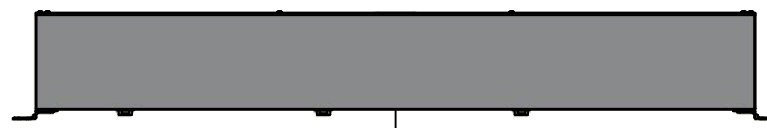
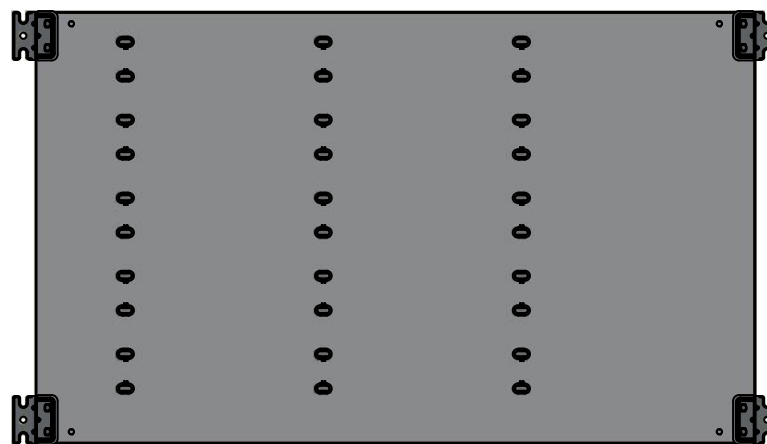


This drawing is confidential and must not be reproduced or used without the consent of EXM

Ce dessin est confidentiel et ne doit pas être reproduit ou utilisé sans le consentement de EXM



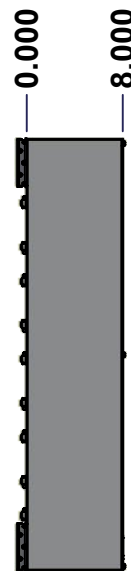
TOP



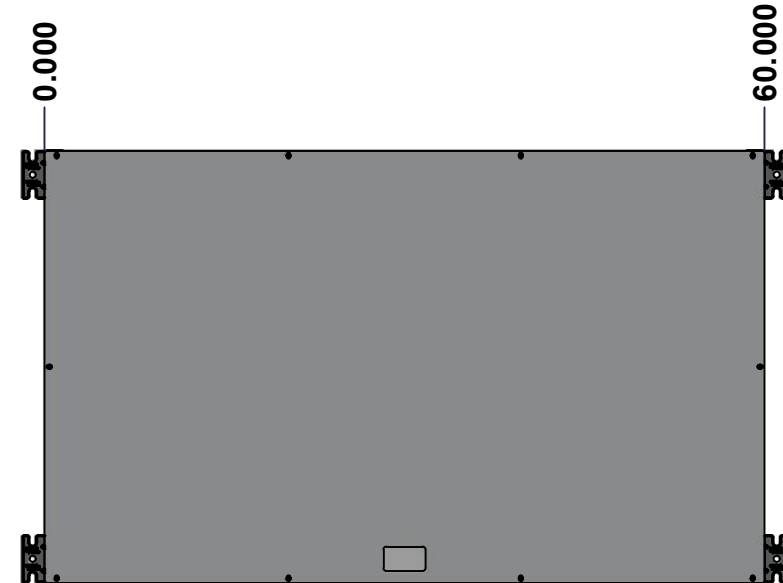
BACK



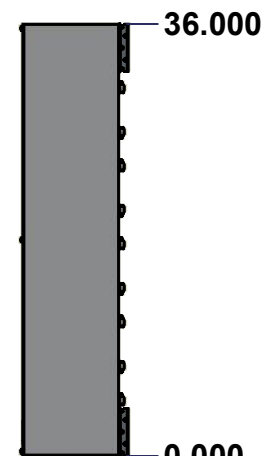
BOTTOM



LEFT

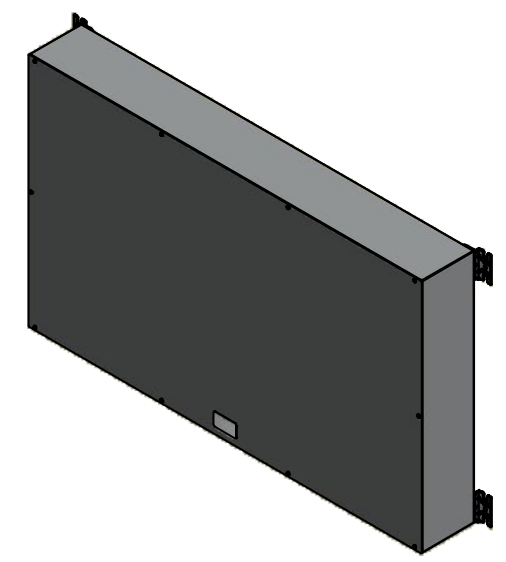


FRONT



RIGHT

| No. | Revisions | Date | By/Par |
|-----|-----------|------|--------|
| | | | |
| | | | |
| | | | |
| | | | |



Isometric View



EXM
exm

Tél: (450) 979-4373
Fax: (450) 979-4626
www.exmweb.com

Flatness
Aplatissement
Max 3.0mm

Projection

| | |
|--|----------------|
| Customer Client | Date |
| Drawn By Dessiné Par BoxCad: BoxCad | Date 27-Jul-22 |

Material Matière 14 Ga Cold Rolled A1008 CS Type B (1.7mm)

| | | | |
|---------------|-------------|-------------|--------|
| Color Couleur | Asa-61 Grey | Finish Fini | Smooth |
|---------------|-------------|-------------|--------|

Description 1100BT 1200A - 5Wires x 60" Assembly

Detail Rev.

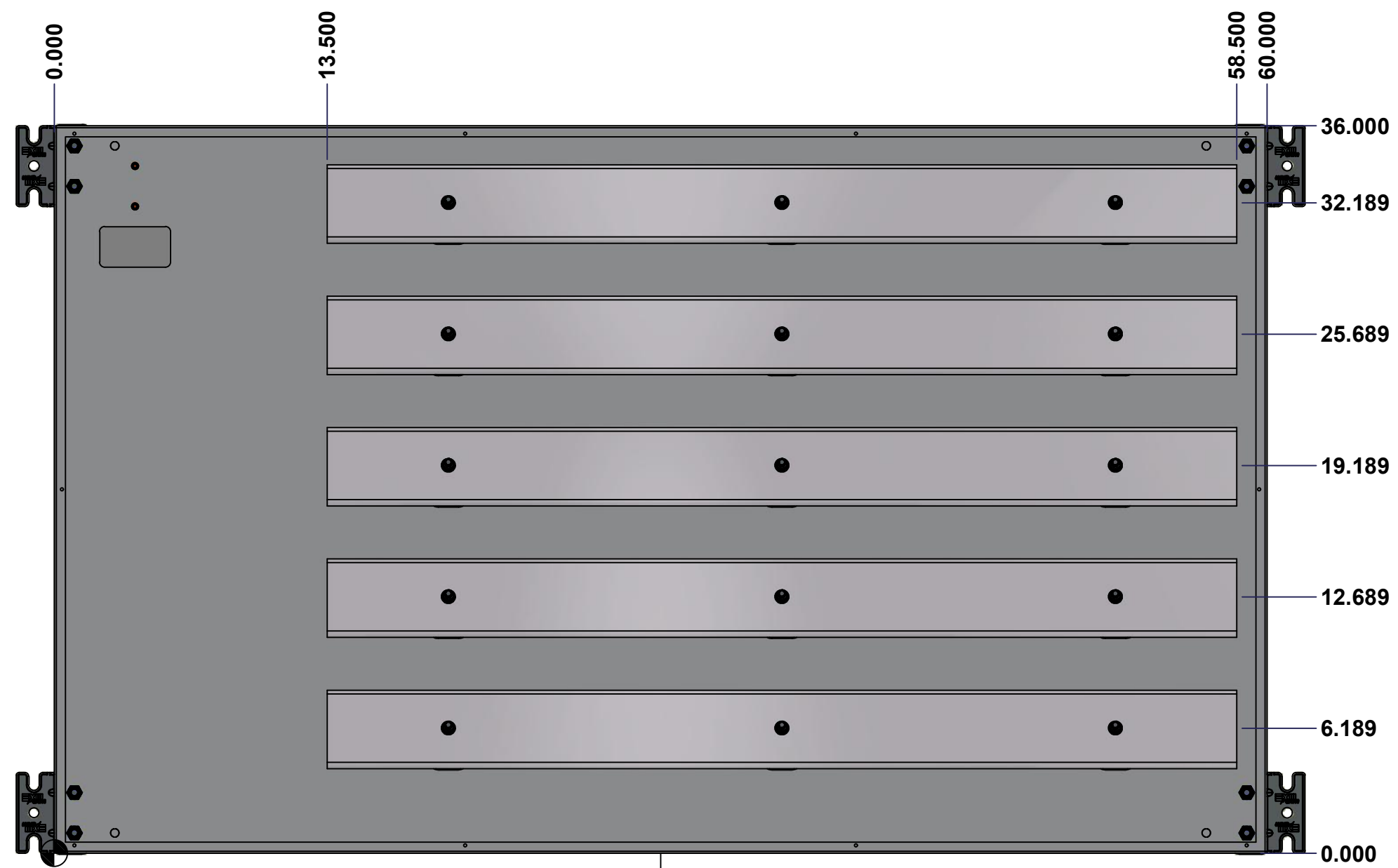
| | | |
|-----------------------------|----------|---|
| Part Number Numéro Pièce | Rev. | 1 |
| 1100BT051205 | 0 | 8 |

SEE BILL OF MATERIAL ON LAST PAGE

This drawing is confidential and must not be reproduced or used without the consent of Eurobox

Ce dessin est confidentiel et ne doit pas être reproduit ou utilisé sans le consentement de Eurobox

STANDARD FEATURES ARE NOT LISTED IN THIS HOLE TABLE



BARS

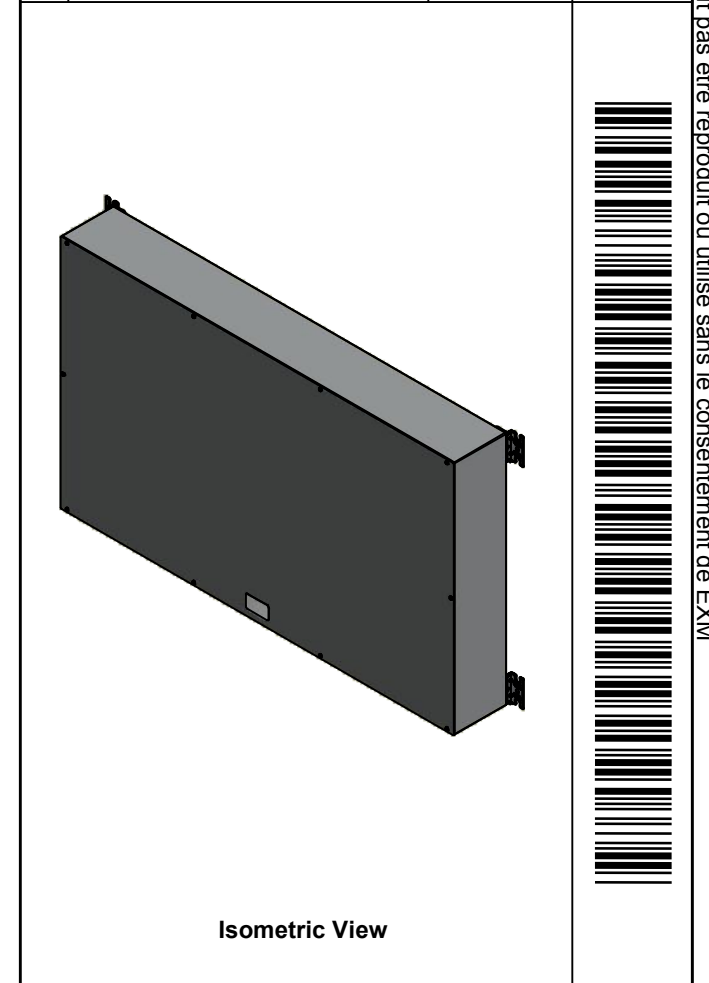
| | | | |
|--|--------------------------------------|--------|---|
| | Description | Status | |
| | 1100BT 1200A - 5Wires x 60" Assembly | (NULL) | |
| | Part Number | Rev. | |
| | Numéro Pièce | 0 | 2 |
| | 1100BT051205 | | 8 |

This drawing is confidential and must not be reproduced or used without the consent of EXM

Ce dessin est confidentiel et ne doit pas être reproduit ou utilisé sans le consentement de EXM

| NOTE | |
|------|--|
| ITEM | DESCRIPTION |
| 1 | NEMA 1 Enclosure |
| 2 | C/W Standard ground studs on box and cover |
| 3 | W/O Standard door stiffener |
| 4 | W/O Inner panel |
| 5 | W/O Inner panel mounting studs |

| No. | Revisions | Date | By/Par |
|-----|-----------|------|--------|
| | | | |
| | | | |
| | | | |
| | | | |
| | | | |
| | | | |



| PACKING | | |
|-----------------------|-----|--|
| ITEM | QTY | DESCRIPTION |
| Cardboard sleeve | 2 | Top and Bottom |
| Cardboard strip | 2 | Between back of enclosure and inner panel |
| Plastic bag | 1 | To protect cover surface and inside gasket |
| Cardboard corner | 4 | To reinforced for the plastic strap tightening |
| Plastic strap - Black | 2 | To Squeeze 2 cardboard sleeve together |
| Packaging label | 3 | White label with PN |
| Plastic strap- Green | 2 | To secure the enclosure to the wood pallet |
| Wood Pallet | 1 | 2" deeper and 3" larger than enclosure size |

| | | | |
|------------|--------------------|-----|-------------------------------------|
| 2 | 885 BTMF | 0 | 885 BTMF Mounting Feet Kit |
| 1 | 1100BT051205BAR4-P | 0 | Rounded Edge Aluminum Bar 1/2" x 4" |
| 1 | 1100BT051205BAR3-P | 0 | Rounded Edge Aluminum Bar 1/2" x 4" |
| 1 | 1100BT051205BAR2-P | 0 | Rounded Edge Aluminum Bar 1/2" x 4" |
| 1 | 1100BT051205BAR1-P | 0 | Rounded Edge Aluminum Bar 1/2" x 4" |
| 1 | 1100BT051205BAR5-P | 0 | Rounded Edge Aluminum Bar 1/2" x 4" |
| 15 | STK-Q-07310 | 2 | Flange Lock Nut M8 |
| 15 | STK-A-67400 | 0 | Buss Bar Insulator Kit |
| 10 | STK-Q-05020 | 5 | M5 x 8mm Thread Rolling Screw |
| 1 | 1100BT051205C | 0 | 1100BT 36" x 60" Cover |
| 1 | 1100BT051205B | 0 | 1100BT 36" x 60" x 8" Body |
| Qty | Part Number | Rev | Description |
| Parts List | | | |

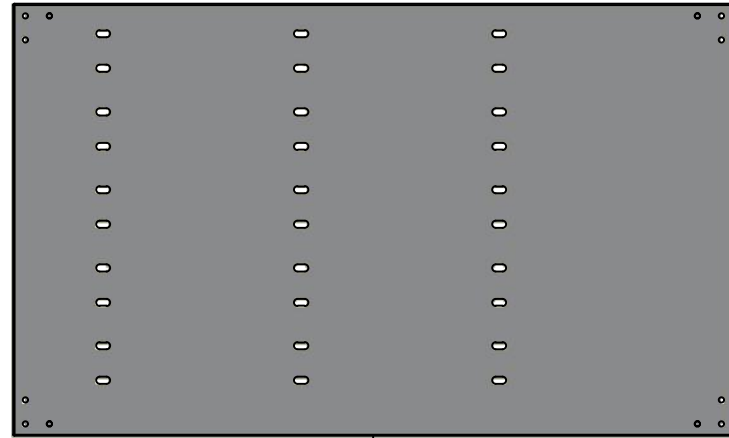
| | | |
|---|--|--|
| | Tél: (450) 979-4373 Fax: (450) 979-4626 www.exmweb.com | Flatness Aplatissement Max 3.0mm |
| | Projection | Customer Client Date |
| Drawn By Dessiné Par | BoxCad: BoxCad | Date 27-Jul-22 |
| Material Matière | 14 Ga Cold Rolled A1008 CS Type B (1.7mm) | |
| Color Couleur | Asa-61 Grey | Finish Fini Smooth |
| Description 1100BT 1200A - 5Wires x 60" Assembly | | Detail Rev. |
| Part Number Numéro Pièce | | Rev. 3 0 8 |
| 1100BT051205 | | |

This drawing is confidential and must not be reproduced or used without the consent of EXM

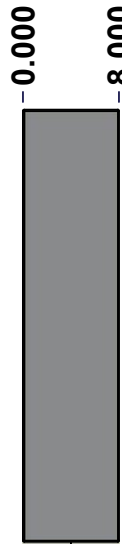
Ce dessin est confidentiel et ne doit pas être reproduit ou utilisé sans le consentement de EXM



TOP



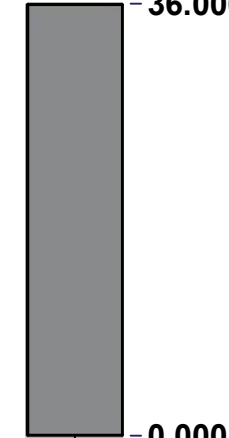
BACK



LEFT



FRONT

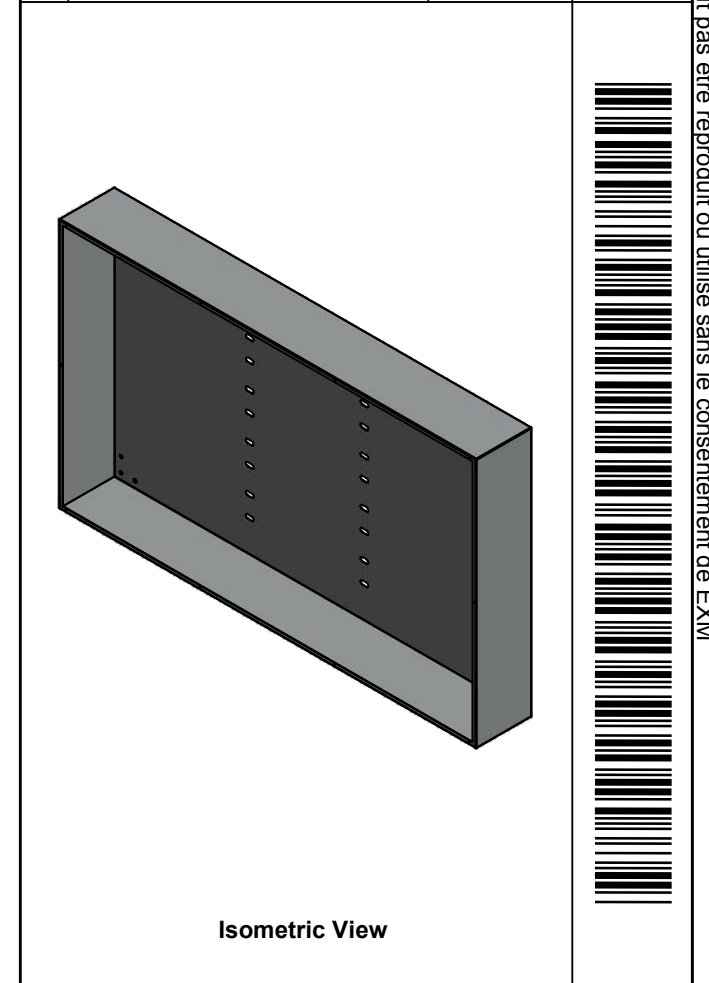



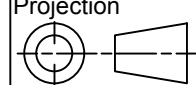
RIGHT



BOTTOM

| No. | Revisions | Date | By/Par |
|-----|-----------|------|--------|
| | | | |
| | | | |
| | | | |
| | | | |
| | | | |



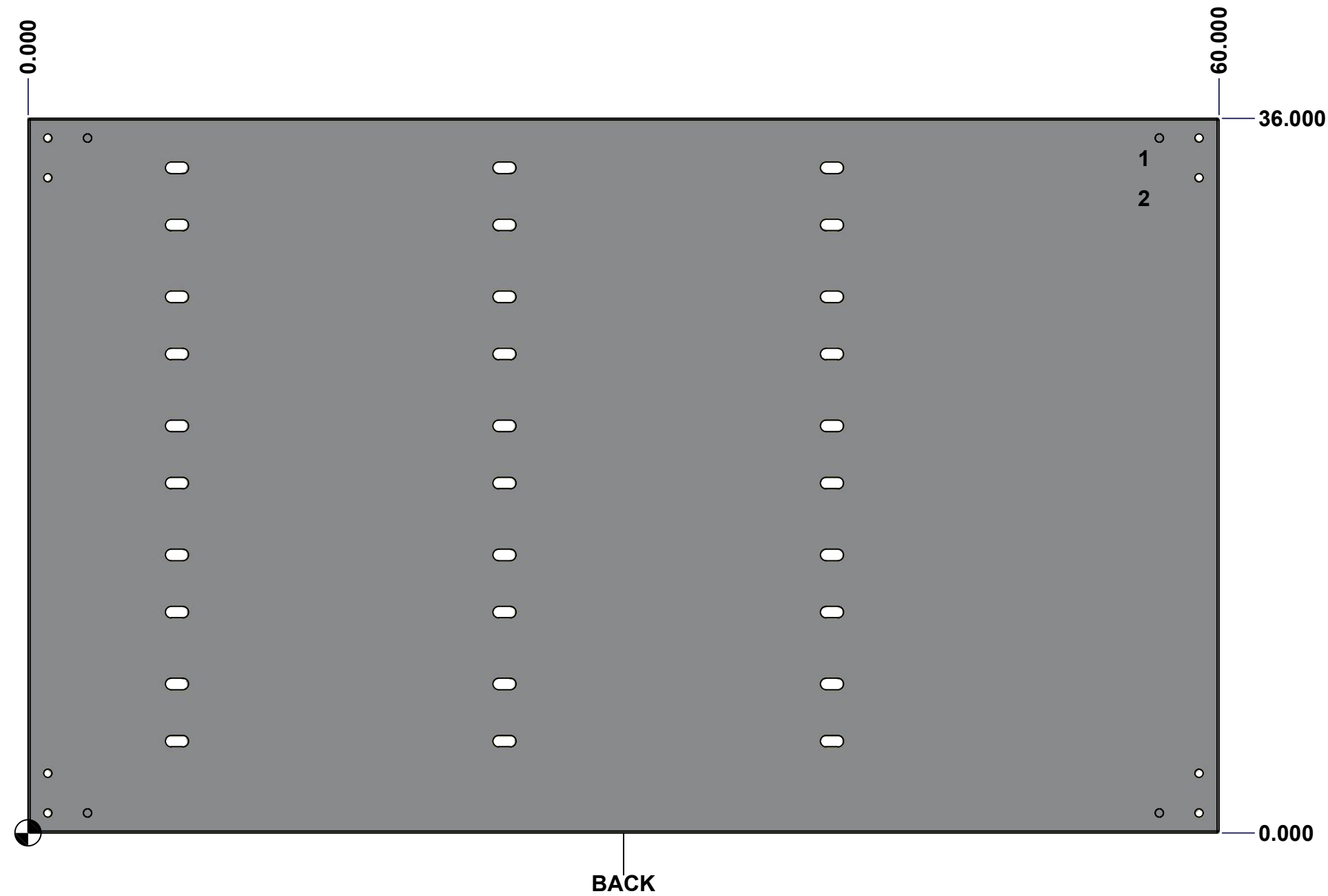
| | | |
|--|---|---|
|  Tél: (450) 979-4373 Fax: (450) 979-4626 www.exmweb.com | | Flatness Aplatissement Max 3.0mm Projection  |
| Customer Client | Date | |
| Drawn By Dessiné Par | BoxCad: BoxCad | Date 27-Jul-22 |
| Material Matière | 14 Ga Cold Rolled A1008 CS Type B (1.7mm) | |
| Color Couleur | Asa-61 Grey | Finish Fini Smooth |
| Description | Detail Rev. | |
| 1100BT 36" x 60" x 8" Body | | |
| Part Number Numéro Pièce | Rev. | 4 |
| 1100BT051205B | 0 | 8 |

SEE BILL OF MATERIAL ON LAST PAGE

This drawing is confidential and must not be reproduced or used without the consent of Eurobox

Ce dessin est confidentiel et ne doit pas être reproduit ou utilisé sans le consentement de Eurobox

| STANDARD FEATURES ARE NOT LISTED IN THIS HOLE TABLE | | | |
|--|--------|--------|-----------------------------|
| HOLE TABLE - BACK VIEW (CUSTOM FEATURE ONLY) | | | |
| CUT-OUT | XDIM | YDIM | DESCRIPTION |
| 1 | 56.000 | 34.000 | GND STUD M8 x 35mm (Inside) |
| 2 | 56.000 | 32.000 | GND STUD M8 x 35mm (Inside) |

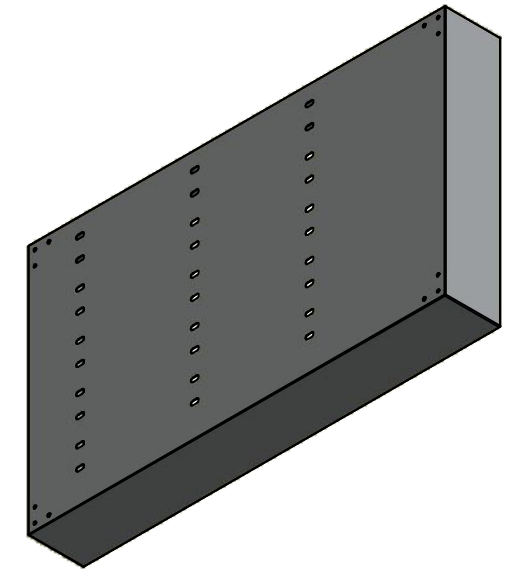


| | | | |
|--|-----------------------------|----------|---|
| | Description | Status | |
| | 1100BT 36" x 60" x 8" Body | (NULL) | |
| | Part Number Numéro Pièce | Rev. | 5 |
| | 1100BT051205B | 0 | 8 |

This drawing is confidential and must not be reproduced or used without the consent of EXM

Ce dessin est confidentiel et ne doit pas être reproduit ou utilisé sans le consentement de EXM

| No. | Revisions | Date | By/Par |
|-----|-----------|------|--------|
| | | | |
| | | | |
| | | | |
| | | | |
| | | | |



Isometric View

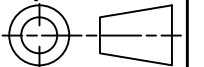


Tél: (450) 979-4373
 Fax: (450) 979-4626
www.exmweb.com

Flatness
Aplatissement

Max 3.0mm

Projection



| | |
|---|-----------------------|
| Customer Client | Date |
| Drawn By / Dessiné Par: BoxCad: BoxCad | Date: 27-Jul-22 |
| Material / Matière: 14 Ga Cold Rolled A1008 CS Type B (1.7mm) | |
| Color / Couleur: Asa-61 Grey | Finish / Fini: Smooth |

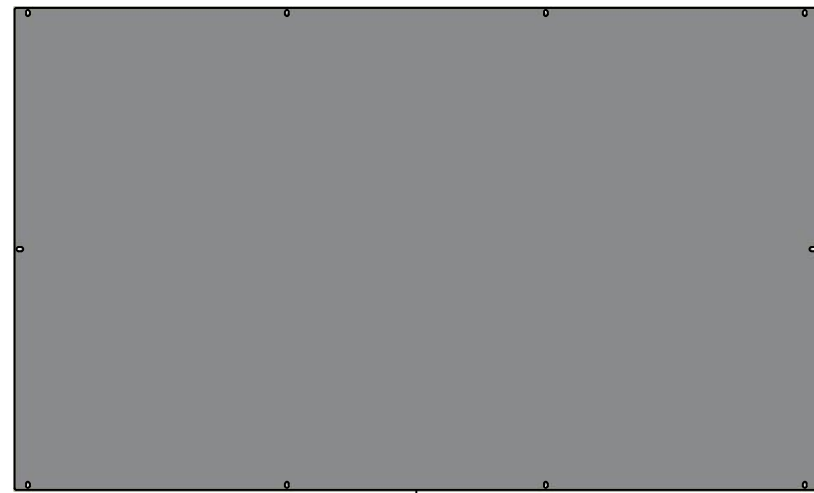
| Qty | Part Number | Rev | Description |
|------------|-----------------|-----|--|
| 1 | STK-P-02400S | 0 | Powder Paint (Asa-61 Grey / Smooth) |
| 1 | STK-S-00100 | 0 | 3.5" x 2" Silver Milar Flexcon Sticker |
| 2 | STK-Q-16005 | 1 | Stud M8 x 35 (No Paint Cap Required) |
| 1 | 1100BT051205B-P | 0 | 1100BT 36" x 60" x 8" Body Part |
| Parts List | | | |

| | |
|--|-------------|
| Description: 1100BT 36" x 60" x 8" Body | Detail Rev. |
| Part Number / Numéro Pièce: 1100BT051205B | Rev. 0 |
| | 6 / 8 |

This drawing is confidential and must not be reproduced or used without the consent of EXM

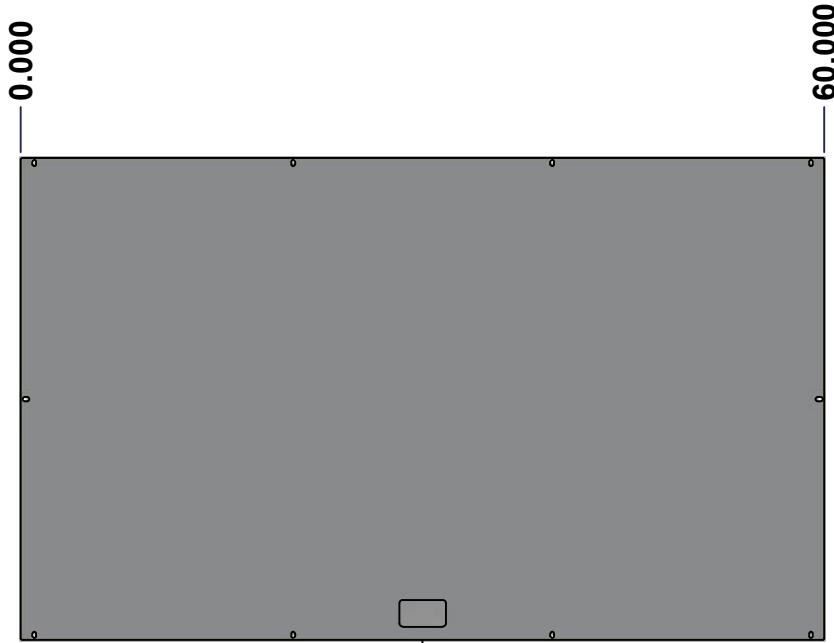
Ce dessin est confidentiel et ne doit pas être reproduit ou utilisé sans le consentement de EXM

TOP

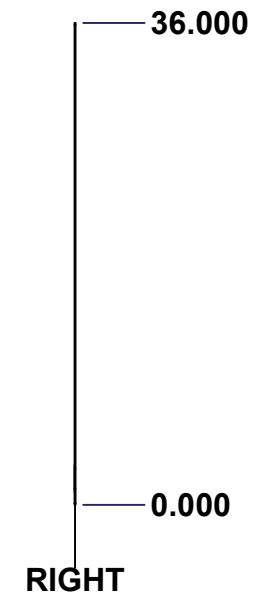


BACK

LEFT



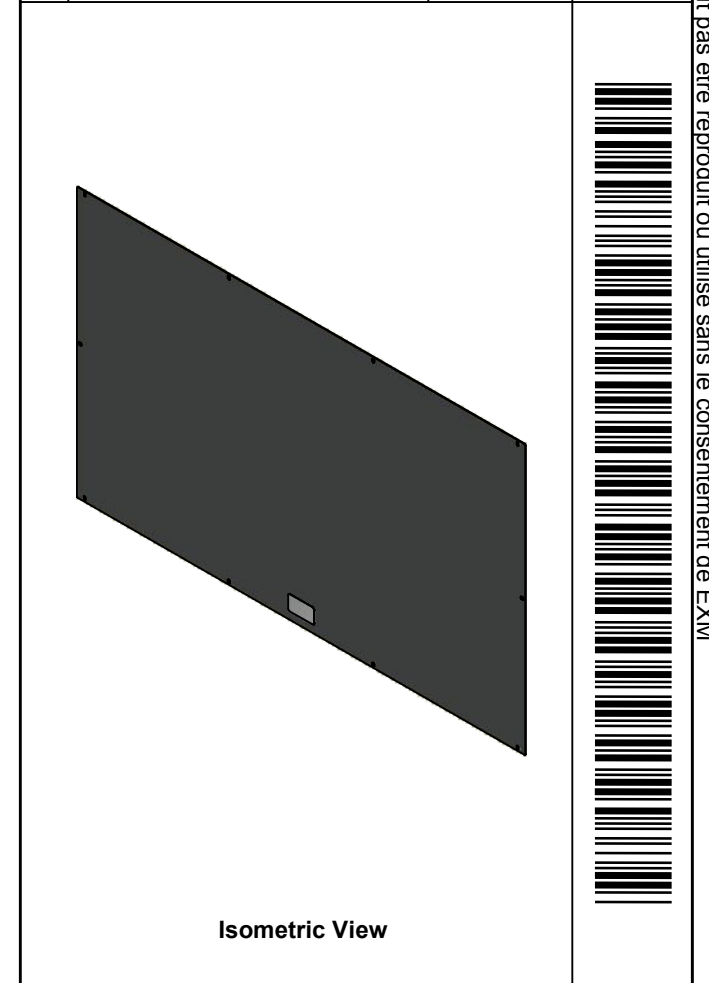
FRONT


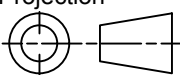


RIGHT

BOTTOM

| No. | Revisions | Date | By/Par |
|-----|-----------|------|--------|
| | | | |
| | | | |
| | | | |
| | | | |



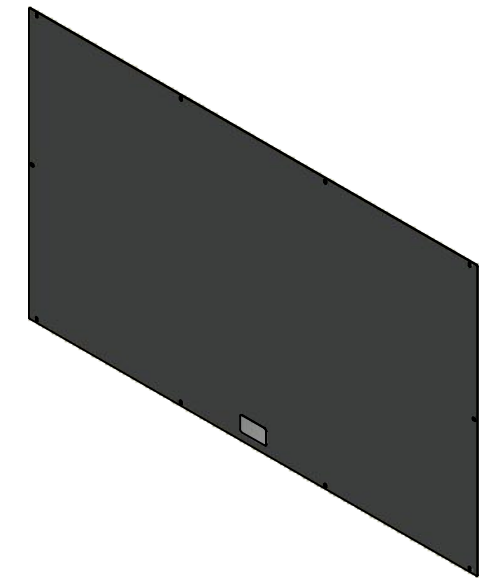
| | | |
|--|---|---|
|  Tél: (450) 979-4373 Fax: (450) 979-4626 www.exmweb.com | | Flatness Aplatissement Max 3.0mm Projection  |
| Customer Client | Date | |
| Drawn By Dessiné Par | BoxCad: BoxCad | Date 27-Jul-22 |
| Material Matière | 14 Ga Cold Rolled A1008 CS Type B (1.7mm) | |
| Color Couleur | Asa-61 Grey | Finish Fini Smooth |
| Description | Detail Rev. | |
| 1100BT 36" x 60" Cover | | |
| Part Number Numéro Pièce | Rev. | 7 |
| 1100BT051205C | 0 | 8 |

SEE BILL OF MATERIAL ON LAST PAGE


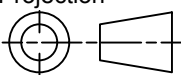
This drawing is confidential and must not be reproduced or used without the consent of EXM

Ce dessin est confidentiel et ne doit pas être reproduit ou utilisé sans le consentement de EXM

| No. | Revisions | Date | By/Par |
|-----|-----------|------|--------|
| | | | |
| | | | |
| | | | |
| | | | |
| | | | |



Isometric View

| | | |
|--|-----------------------|---|
|  Tél: (450) 979-4373 Fax: (450) 979-4626 www.exmweb.com | | Flatness Aplatissement Max 3.0mm |
| Customer Client | | Projection  |
| Drawn By / Dessiné Par: BoxCad: BoxCad | | Date: 27-Jul-22 |
| Material / Matière: 14 Ga Cold Rolled A1008 CS Type B (1.7mm) | | |
| Color / Couleur: Asa-61 Grey | Finish / Fini: Smooth | |
| Description: 1100BT 36" x 60" Cover | | Detail Rev. |
| Part Number / Numéro Pièce: 1100BT051205C | | Rev. 8 0 |

| Qty | Part Name | Rev | Description |
|------------|-----------------|-----|--|
| 1 | STK-P-02400S | 0 | Powder Paint (Asa-61 Grey / Smooth) |
| 1 | STK-S-00100 | 0 | 3.5" x 2" Silver Milar Flexcon Sticker |
| 1 | 1100BT051205C-P | 0 | 1100BT 36" x 60" Flat Cover Part |
| Parts List | | | |