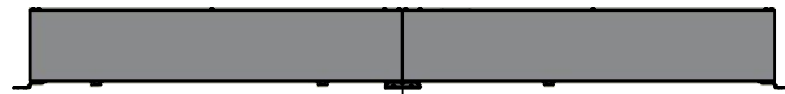
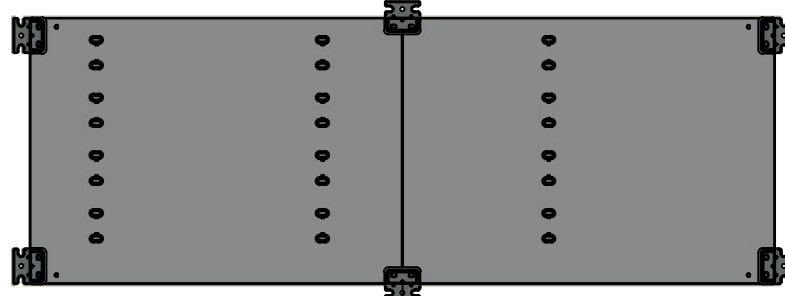


This drawing is confidential and must not be reproduced or used without the consent of EXM

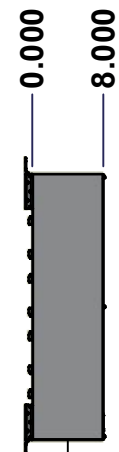
Ce dessin est confidentiel et ne doit pas être reproduit ou utilisé sans le consentement de EXM



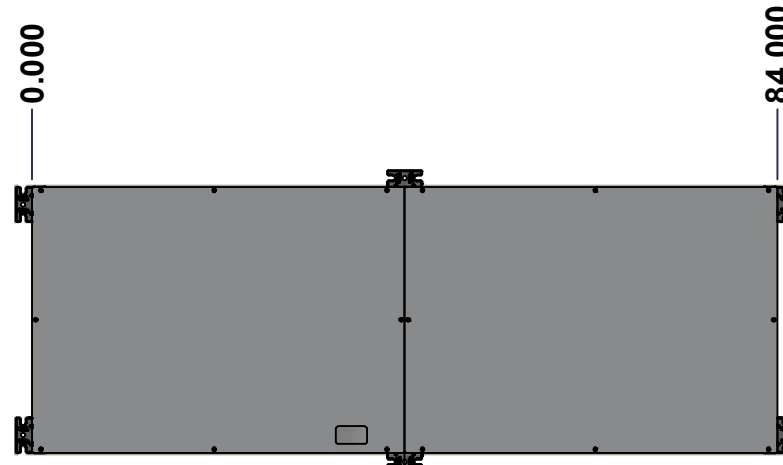
TOP



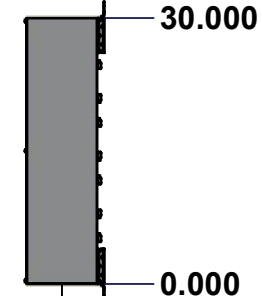
BACK



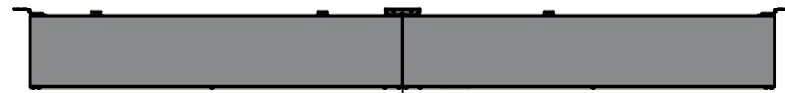
LEFT



FRONT

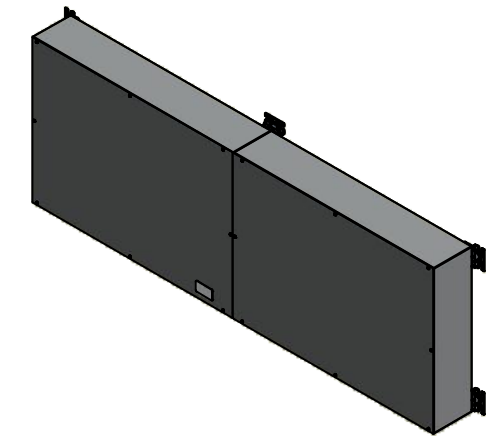


RIGHT



BOTTOM

| No. | Revisions | Date | By/Par |
|-----|-----------|------|--------|
|     |           |      |        |
|     |           |      |        |
|     |           |      |        |
|     |           |      |        |



Isometric View



Tél: (450) 979-4373  
 Fax: (450) 979-4626  
[www.exmweb.com](http://www.exmweb.com)

Flatness  
Aplatissement  
Max 3.0mm  
Projection

|   |                       |
|---|-----------------------|
| Customer Client   | Date                  |
| Drawn By<br>Dessiné Par BoxCad: BoxCad                        | Date 27-Jul-22        |
| Material<br>Matière 14 Ga Cold Rolled A1008 CS Type B (1.7mm) |                       |
| Color<br>Couleur Asa-61 Grey                                  | Finish<br>Fini Smooth |
| Description<br>1100BT 1200A - 4Wires x 84" Assembly           | Detail Rev.           |
| Part Number<br>Numéro Pièce 1100BT071204                      | Rev. 0                |

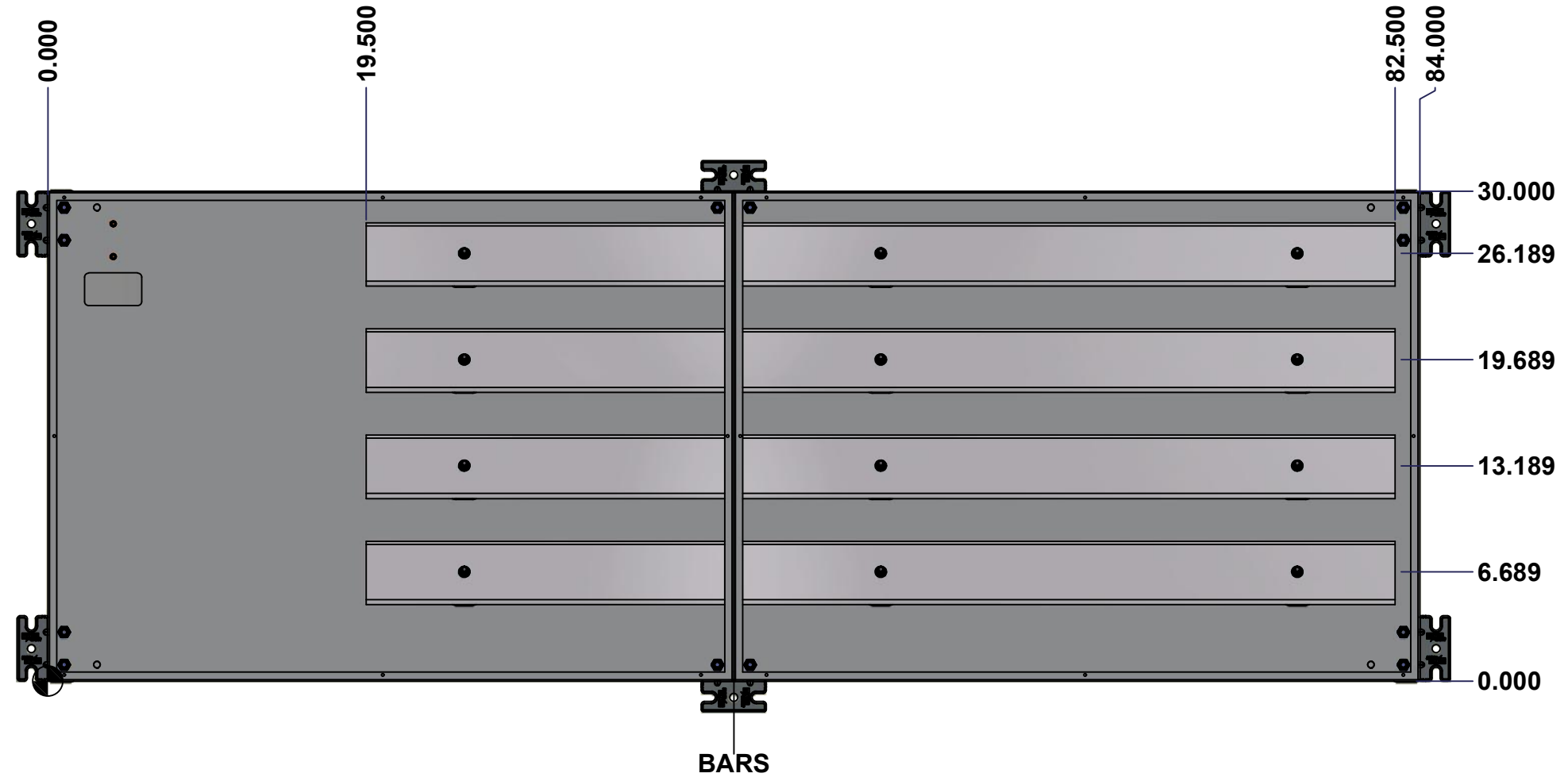
SEE BILL OF MATERIAL ON LAST PAGE

1  
8

This drawing is confidential and must not be reproduced or used without the consent of Eurobox

Ce dessin est confidentiel et ne doit pas être reproduit ou utilisé sans le consentement de Eurobox

**STANDARD FEATURES ARE NOT LISTED IN THIS HOLE TABLE**



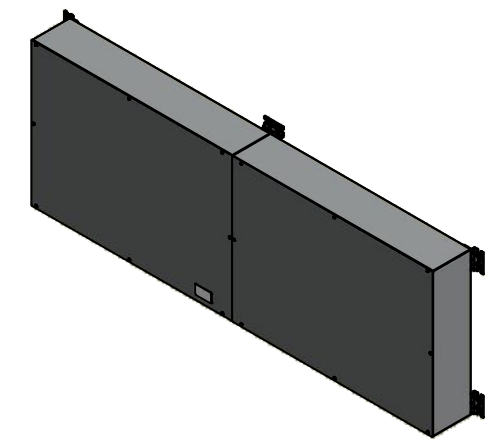
|  |                                      |          |   |
|--|--------------------------------------|----------|---|
|  | Description                          | Status   |   |
|  | 1100BT 1200A - 4Wires x 84" Assembly | (NULL)   |   |
|  | Part Number                          | Rev.     | 2 |
|  | Numéro Pièce                         | <b>0</b> | 8 |
|  | <b>1100BT071204</b>                  |          |   |

This drawing is confidential and must not be reproduced or used without the consent of EXM

Ce dessin est confidentiel et ne doit pas être reproduit ou utilisé sans le consentement de EXM

| NOTE |  |
|------|--|
| ITEM | DESCRIPTION                                |
| 1    | NEMA 1 Enclosure                           |
| 2    | C/W Standard ground studs on box and cover |
| 3    | W/O Standard door stiffener                |
| 4    | W/O Inner panel                            |
| 5    | W/O Inner panel mounting studs             |

| No. | Revisions | Date | By/Par |
|-----|-----------|------|--------|
|     |           |      |        |
|     |           |      |        |
|     |           |      |        |
|     |           |      |        |
|     |           |      |        |



Isometric View

| PACKING               |     |  |
|-----------------------|-----|--|
| ITEM                  | QTY | DESCRIPTION                                    |
| Cardboard sleeve      | 2   | Top and Bottom                                 |
| Cardboard strip       | 2   | Between back of enclosure and inner panel      |
| Plastic bag           | 1   | To protect cover surface and inside gasket     |
| Cardboard corner      | 4   | To reinforced for the plastic strap tightening |
| Plastic strap - Black | 2   | To Squeeze 2 cardboard sleeve together         |
| Packaging label       | 3   | White label with PN                            |
| Plastic strap- Green  | 2   | To secure the enclosure to the wood pallet     |
| Wood Pallet           | 1   | 2" deeper and 3" larger than enclosure size    |

|            |                    |     |                                     |
|------------|--------------------|-----|-------------------------------------|
| 1          | 1100BT071204BAR4-P | 0   | Rounded Edge Aluminum Bar 1/2" x 4" |
| 1          | 1100BT071204BAR3-P | 0   | Rounded Edge Aluminum Bar 1/2" x 4" |
| 1          | 1100BT071204BAR2-P | 0   | Rounded Edge Aluminum Bar 1/2" x 4" |
| 1          | 1100BT071204BAR1-P | 0   | Rounded Edge Aluminum Bar 1/2" x 4" |
| 12         | STK-Q-07310        | 2   | Flange Lock Nut M8                  |
| 12         | STK-A-67400        | 0   | Buss Bar Insulator Kit              |
| 10         | STK-Q-03210        | 0   | Thread Cutting Screw 1/4-20 x 5/16" |
| 16         | STK-Q-05020        | 5   | M5 x 8mm Thread Rolling Screw       |
| 1          | 1100BT071204C      | 0   | 1100BT 30" x 84" Cover              |
| 1          | 1100BT071204B      | 0   | 1100BT 30" x 84" x 8" Body          |
| 3          | 885 BTMF           | 0   | 885 BTMF Mounting Feet Kit          |
| Qty        | Part Number        | Rev | Description                         |
| Parts List |                    |     |                                     |

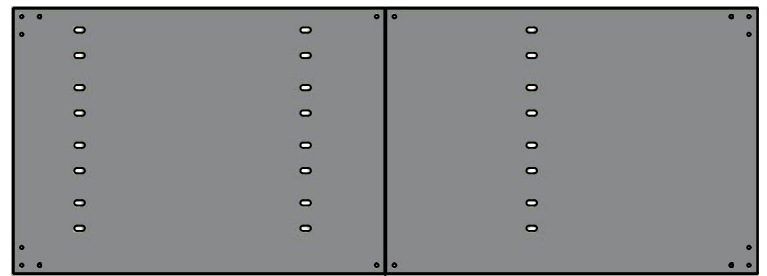
|   |  |  |
|---|--|--|
|   | Tél: (450) 979-4373<br>Fax: (450) 979-4626<br><a href="http://www.exmweb.com">www.exmweb.com</a> | Flatness<br>Aplatissement<br>Max 3.0mm<br>Projection<br> |
|   | Customer<br>Client   | Date   |
| Drawn By<br>Dessiné Par                             | BoxCad: BoxCad   | Date 27-Jul-22   |
| Material<br>Matière                                 | 14 Ga Cold Rolled A1008 CS Type B (1.7mm)  |  |
| Color<br>Couleur                                    | Asa-61 Grey  | Finish<br>Fini Smooth                                    |
| Description<br>1100BT 1200A - 4Wires x 84" Assembly |  | Detail Rev.  |
| Part Number<br>Numéro Pièce                         |  | Rev. 3<br>0  |
| <b>1100BT071204</b>                                 |  | 8  |

This drawing is confidential and must not be reproduced or used without the consent of EXM

Ce dessin est confidentiel et ne doit pas être reproduit ou utilisé sans le consentement de EXM



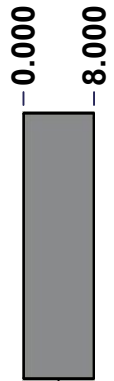
TOP



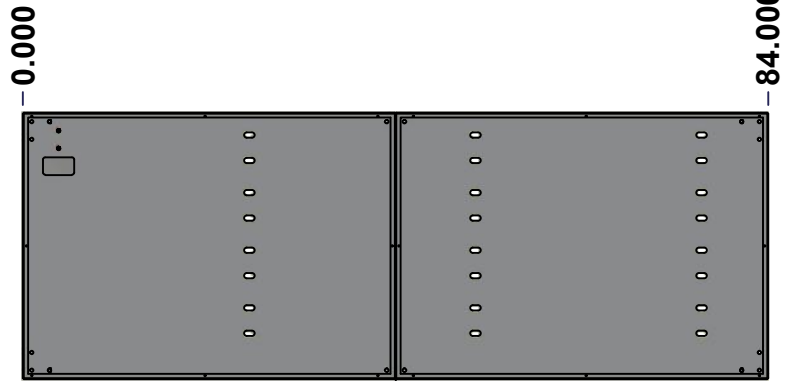
BACK



BOTTOM



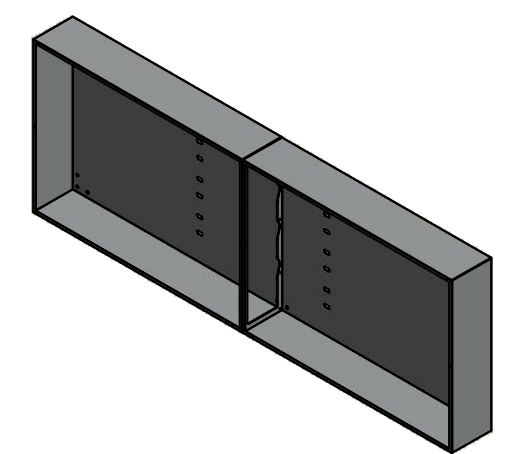
LEFT



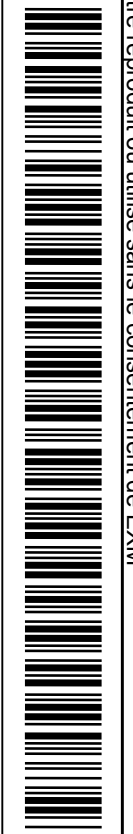
FRONT




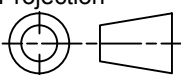
RIGHT



Isometric View



| No. | Revisions | Date | By/Par |
|-----|-----------|------|--------|
|     |           |      |        |
|     |           |      |        |
|     |           |      |        |
|     |           |      |        |

|  |   |   |
|--|---|---|
|  Tél: (450) 979-4373<br>Fax: (450) 979-4626<br><a href="http://www.exmweb.com">www.exmweb.com</a> |   | Flatness<br>Aplatissement<br>Max 3.0mm<br>Projection<br> |
| Customer Client  | Date                                      |   |
| Drawn By<br>Dessiné Par  | BoxCad: BoxCad                            | Date 27-Jul-22  |
| Material<br>Matière  | 14 Ga Cold Rolled A1008 CS Type B (1.7mm) |   |
| Color<br>Couleur   | Asa-61 Grey                               | Finish<br>Fini Smooth   |
| Description<br>1100BT 30" x 84" x 8" Body  |   | Detail Rev.   |
| Part Number<br>Numéro Pièce  | Rev. 0                                    | 4<br>8  |

SEE BILL OF MATERIAL ON LAST PAGE

**1100BT071204B**

This drawing is confidential and must not be reproduced or used without the consent of Eurobox

Ce dessin est confidentiel et ne doit pas être reproduit ou utilisé sans le consentement de Eurobox

| STANDARD FEATURES ARE NOT LISTED IN THIS HOLE TABLE |        |        |                             |
|---|--------|--------|-----------------------------|
| HOLE TABLE - BACK VIEW (CUSTOM FEATURE ONLY)        |        |        |                             |
| CUT-OUT   | XDIM   | YDIM   | DESCRIPTION                 |
| 1   | 80.000 | 28.000 | GND STUD M8 x 35mm (Inside) |
| 2   | 80.000 | 26.000 | GND STUD M8 x 35mm (Inside) |

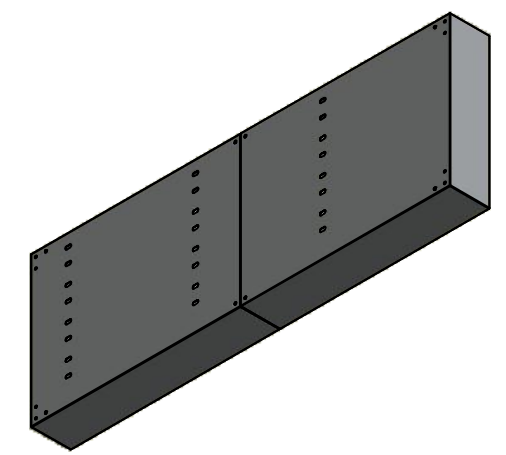


|  |   |                        |
|--|---|------------------------|
|  | Description<br>1100BT 30" x 84" x 8" Body           | Status<br>(NULL)       |
|  | Part Number<br>Numéro Pièce<br><b>1100BT071204B</b> | Rev. 5<br><b>0</b> / 8 |

This drawing is confidential and must not be reproduced or used without the consent of EXM


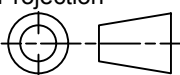
Ce dessin est confidentiel et ne doit pas être reproduit ou utilisé sans le consentement de EXM

| No. | Revisions | Date | By/Par |
|-----|-----------|------|--------|
|     |           |      |        |
|     |           |      |        |
|     |           |      |        |
|     |           |      |        |
|     |           |      |        |



Isometric View



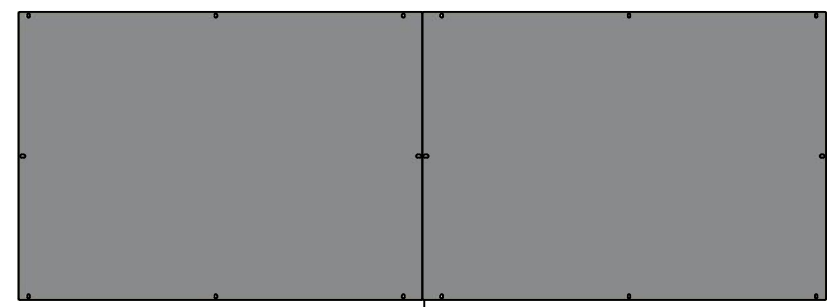
|  |                       |   |
|--|-----------------------|---|
|  Tél: (450) 979-4373<br>Fax: (450) 979-4626<br><a href="http://www.exmweb.com">www.exmweb.com</a> |                       | Flatness<br>Aplatissement<br>Max 3.0mm  |
| Customer Client  |                       | Projection<br> |
| Drawn By / Dessiné Par: BoxCad: BoxCad   |                       | Date: 27-Jul-22   |
| Material / Matière: 14 Ga Cold Rolled A1008 CS Type B (1.7mm)  |                       |   |
| Color / Couleur: Asa-61 Grey   | Finish / Fini: Smooth |   |
| Description: 1100BT 30" x 84" x 8" Body  |                       | Detail Rev.   |
| Part Number / Numéro Pièce: <b>1100BT071204B</b>   |                       | Rev. 0 / 6  |

| Qty        | Part Number     | Rev | Description                            |
|------------|-----------------|-----|--|
| 1          | STK-P-02400S    | 0   | Powder Paint (Asa-61 Grey / Smooth)    |
| 1          | 1100BT071204B-P | 0   | 1100BT 30" x 84" x 8" Body Part        |
| 1          | STK-S-00100     | 0   | 3.5" x 2" Silver Milar Flexcon Sticker |
| 2          | STK-Q-16005     | 1   | Stud M8 x 35 (No Paint Cap Required)   |
| 1          | 1100BT071204E-P | 0   | 1100BT 30" x 84" x 8" Body Part        |
| Parts List |                 |     |  |

This drawing is confidential and must not be reproduced or used without the consent of EXM

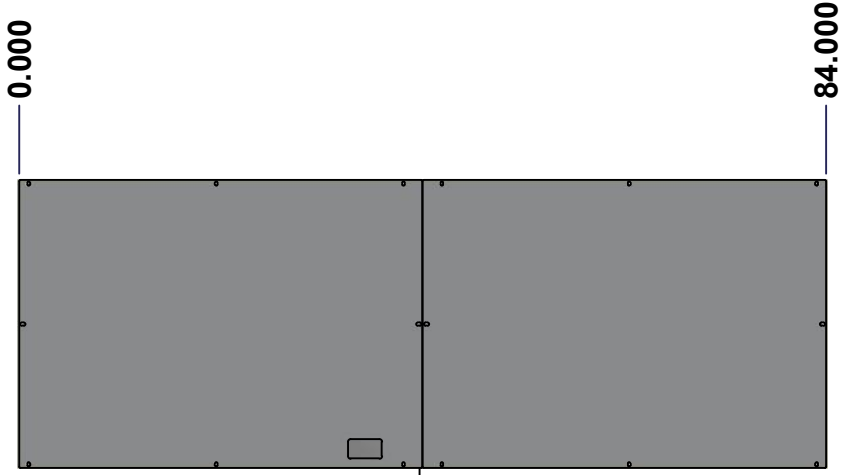
Ce dessin est confidentiel et ne doit pas être reproduit ou utilisé sans le consentement de EXM

TOP



BACK

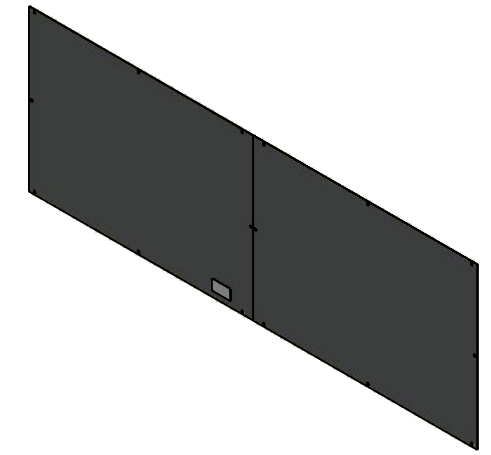
LEFT



FRONT

RIGHT


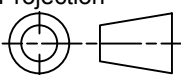
| No. | Revisions | Date | By/Par |
|-----|-----------|------|--------|
|     |           |      |        |
|     |           |      |        |
|     |           |      |        |
|     |           |      |        |
|     |           |      |        |



Isometric View



BOTTOM

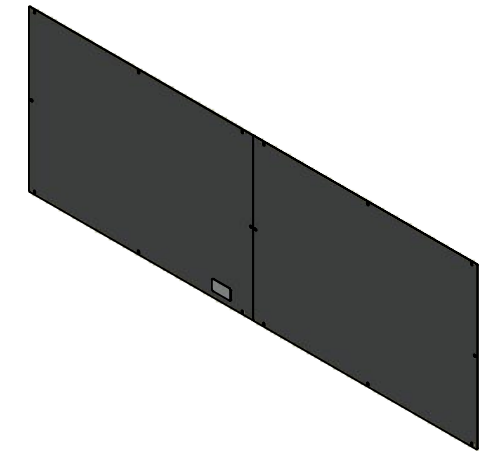
|  |   |   |
|--|---|---|
|  Tél: (450) 979-4373<br>Fax: (450) 979-4626<br><a href="http://www.exmweb.com">www.exmweb.com</a> |   | Flatness<br>Aplatissement<br>Max 3.0mm<br>Projection<br> |
| Customer Client  | Date                                      |   |
| Drawn By<br>Dessiné Par  | BoxCad: BoxCad                            | Date 27-Jul-22  |
| Material<br>Matière  | 14 Ga Cold Rolled A1008 CS Type B (1.7mm) |   |
| Color<br>Couleur   | Asa-61 Grey                               | Finish<br>Fini Smooth   |
| Description  | Detail Rev.                               |   |
| 1100BT 30" x 84" Cover   |   |   |
| Part Number<br>Numéro Pièce  | Rev.                                      | 7   |
| <b>1100BT071204C</b>   | <b>0</b>                                  | 8   |

SEE BILL OF MATERIAL ON LAST PAGE

This drawing is confidential and must not be reproduced or used without the consent of EXM


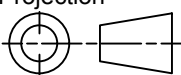
Ce dessin est confidentiel et ne doit pas être reproduit ou utilisé sans le consentement de EXM

| No. | Revisions | Date | By/Par |
|-----|-----------|------|--------|
|     |           |      |        |
|     |           |      |        |
|     |           |      |        |
|     |           |      |        |
|     |           |      |        |



Isometric View



|  |                       |   |
|--|-----------------------|---|
|  Tél: (450) 979-4373<br>Fax: (450) 979-4626<br><a href="http://www.exmweb.com">www.exmweb.com</a> |                       | Flatness<br>Aplatissement<br>Max 3.0mm  |
| Customer Client  |                       | Projection<br> |
| Drawn By / Dessiné Par: BoxCad: BoxCad   |                       | Date: 27-Jul-22   |
| Material / Matière: 14 Ga Cold Rolled A1008 CS Type B (1.7mm)  |                       |   |
| Color / Couleur: Asa-61 Grey   | Finish / Fini: Smooth |   |
| Description: 1100BT 30" x 84" Cover  |                       | Detail Rev.   |
| Part Number / Numéro Pièce: <b>1100BT071204C</b>   |                       | Rev. 8<br><b>0</b>  |

| Qty        | Part Name       | Rev | Description                            |
|------------|-----------------|-----|--|
| 1          | STK-P-02400S    | 0   | Powder Paint (Asa-61 Grey / Smooth)    |
| 1          | 1100BT071204F-P | 0   | 1100BT 30" x 84" Flanged Cover Part    |
| 1          | 1100BT071204C-P | 0   | 1100BT 30" x 84" Flat Cover Part       |
| 1          | STK-S-00100     | 0   | 3.5" x 2" Silver Milar Flexcon Sticker |
| Parts List |                 |     |  |