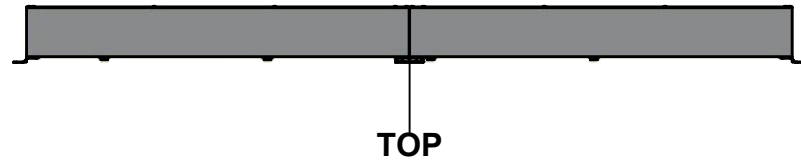
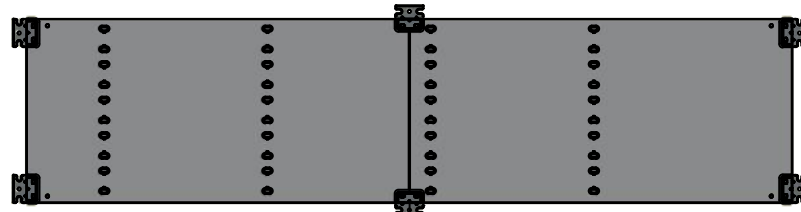


This drawing is confidential and must not be reproduced or used without the consent of EXM

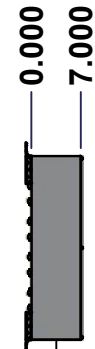
Ce dessin est confidentiel et ne doit pas être reproduit ou utilisé sans le consentement de EXM



TOP

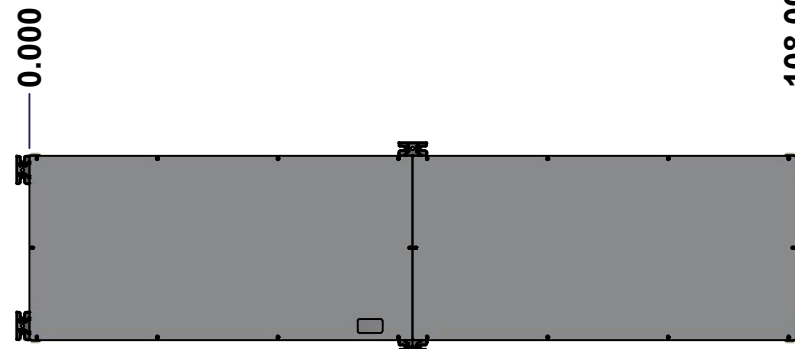


BACK



LEFT

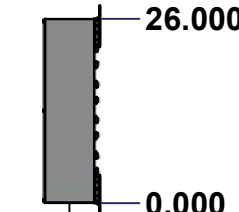
0.000
7.000



FRONT

0.000

108.000



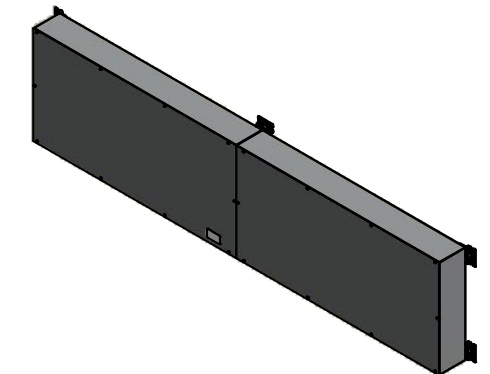
RIGHT

26.000
0.000



BOTTOM

No.	Revisions	Date	By/Par



Isometric View

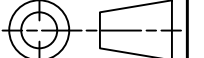


Tél: (450) 979-4373
Fax: (450) 979-4626
www.exmweb.com

Flatness
Aplatissement

Max 3.0mm

Projection



Customer Client	Date
Drawn By Dessiné Par BoxCad: BoxCad	Date 22-Jul-22
Material Matière 14 Ga Cold Rolled A1008 CS Type B (1.7mm)	
Color Couleur Asa-61 Grey	Finish Fini Smooth
Description 1100BT 225A - 5Wires x 108" Assembly	Detail Rev.
Part Number Numéro Pièce 1100BT09205	Rev. 0

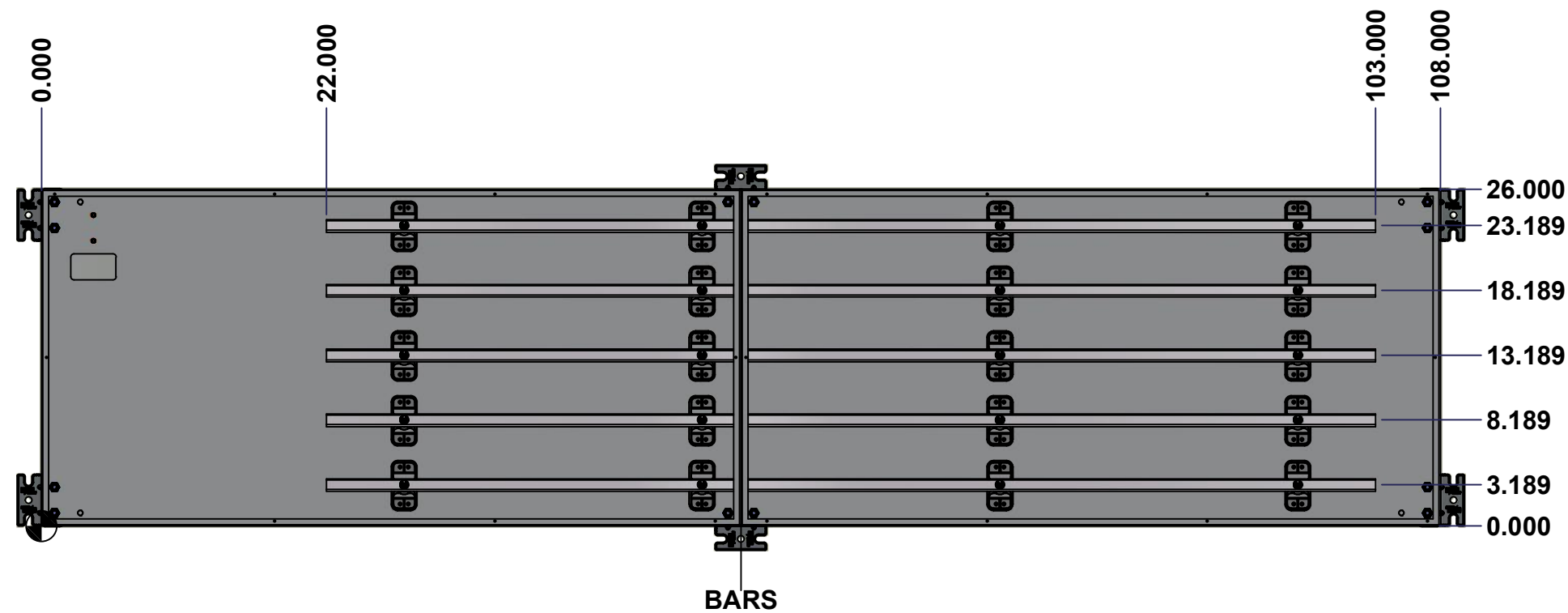
SEE BILL OF MATERIAL ON LAST PAGE

1
8

This drawing is confidential and must not be reproduced or used without the consent of Eurobox

Ce dessin est confidentiel et ne doit pas être reproduit ou utilisé sans le consentement de Eurobox

STANDARD FEATURES ARE NOT LISTED IN THIS HOLE TABLE



	Description	Status	
	1100BT 225A - 5Wires x 108" Assembly	(NULL)	
	Part Number Numéro Pièce	Rev.	
	1100BT09205	0	2 8

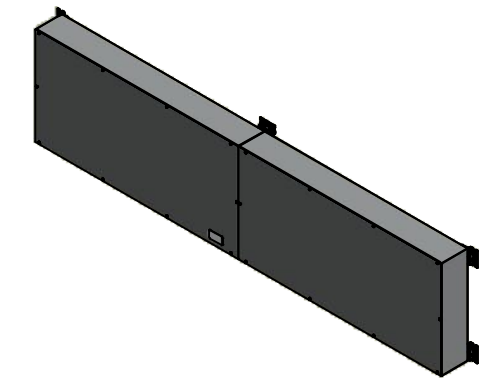
This drawing is confidential and must not be reproduced or used without the consent of EXM

Ce dessin est confidentiel et ne doit pas être reproduit ou utilisé sans le consentement de EXM

NOTE

ITEM	DESCRIPTION
1	NEMA 1 Enclosure
2	C/W Standard ground studs on box and cover
3	W/O Standard door stiffener
4	W/O Inner panel
5	W/O Inner panel mounting studs

No.	Revisions	Date	By/Par



Isometric View

EXM
exm

Tél: (450) 979-4373
Fax: (450) 979-4626
www.exmweb.com

Flatness
Aplatissement
Max 3.0mm

Projection

Customer Client	Date
Drawn By Dessiné Par	Date 22-Jul-22

Material Matière 14 Ga Cold Rolled A1008 CS Type B (1.7mm)

Color Couleur Asa-61 Grey Finish Fini Smooth

Description 1100BT 225A - 5Wires x 108" Assembly

Part Number Numéro Pièce **1100BT09205**

Rev. 0

Qty	Part Number	Rev	Description
1	1100BT09205BAR5-P	0	Rounded Edge Aluminum Bar 1/4" x 1"
1	1100BT09205BAR4-P	0	Rounded Edge Aluminum Bar 1/4" x 1"
1	1100BT09205BAR3-P	0	Rounded Edge Aluminum Bar 1/4" x 1"
1	1100BT09205BAR2-P	0	Rounded Edge Aluminum Bar 1/4" x 1"
1	1100BT09205BAR1-P	0	Rounded Edge Aluminum Bar 1/4" x 1"
20	STK-Q-07310	2	Flange Lock Nut M8
20	STK-A-67400	0	Buss Bar Insulator Kit
10	STK-Q-03210	0	Thread Cutting Screw 1/4-20 x 5/16"
20	STK-Q-05020	5	M5 x 8mm Thread Rolling Screw
1	1100BT09205C	0	1100BT 26" x 108" Cover
1	1100BT09205B	0	1100BT 26" x 108" x 7" Body
3	885 BTMF	0	885 BTMF Mounting Feet Kit
	Part Number	Rev	Description
Parts List			

PACKING

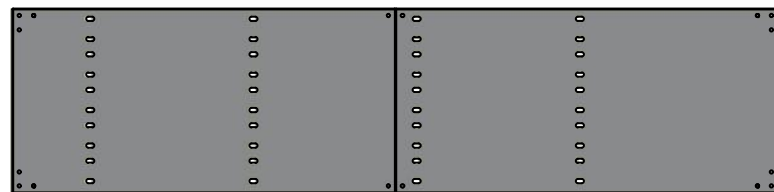
ITEM	QTY	DESCRIPTION
Cardboard sleeve	2	Top and Bottom
Cardboard strip	2	Between back of enclosure and inner panel
Plastic bag	1	To protect cover surface and inside gasket
Cardboard corner	4	To reinforced for the plastic strap tightening
Plastic strap - Black	2	To Squeeze 2 cardboard sleeve together
Packaging label	3	White label with PN
Plastic strap- Green	2	To secure the enclosure to the wood pallet
Wood Pallet	1	2" deeper and 3" larger than enclosure size

This drawing is confidential and must not be reproduced or used without the consent of EXM

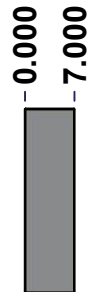
Ce dessin est confidentiel et ne doit pas être reproduit ou utilisé sans le consentement de EXM



TOP



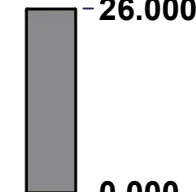
BACK



LEFT



FRONT

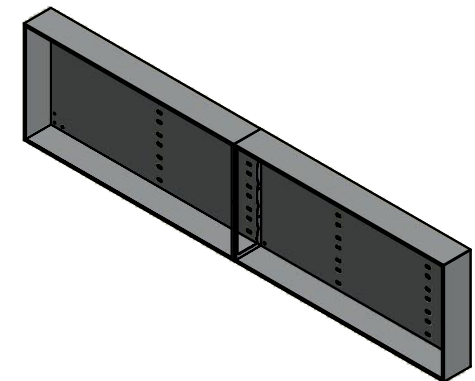


RIGHT



BOTTOM

No.	Revisions	Date	By/Par



Isometric View



Tél: (450) 979-4373
 Fax: (450) 979-4626
www.exmweb.com

Flatness
Aplatissement
Max 3.0mm
Projection

Customer Client	Date
Drawn By Dessiné Par BoxCad: BoxCad	Date 22-Jul-22
Material Matière 14 Ga Cold Rolled A1008 CS Type B (1.7mm)	
Color Couleur Asa-61 Grey	Finish Fini Smooth
Description 1100BT 26" x 108" x 7" Body	Detail Rev.
Part Number Numéro Pièce 1100BT09205B	Rev. 0

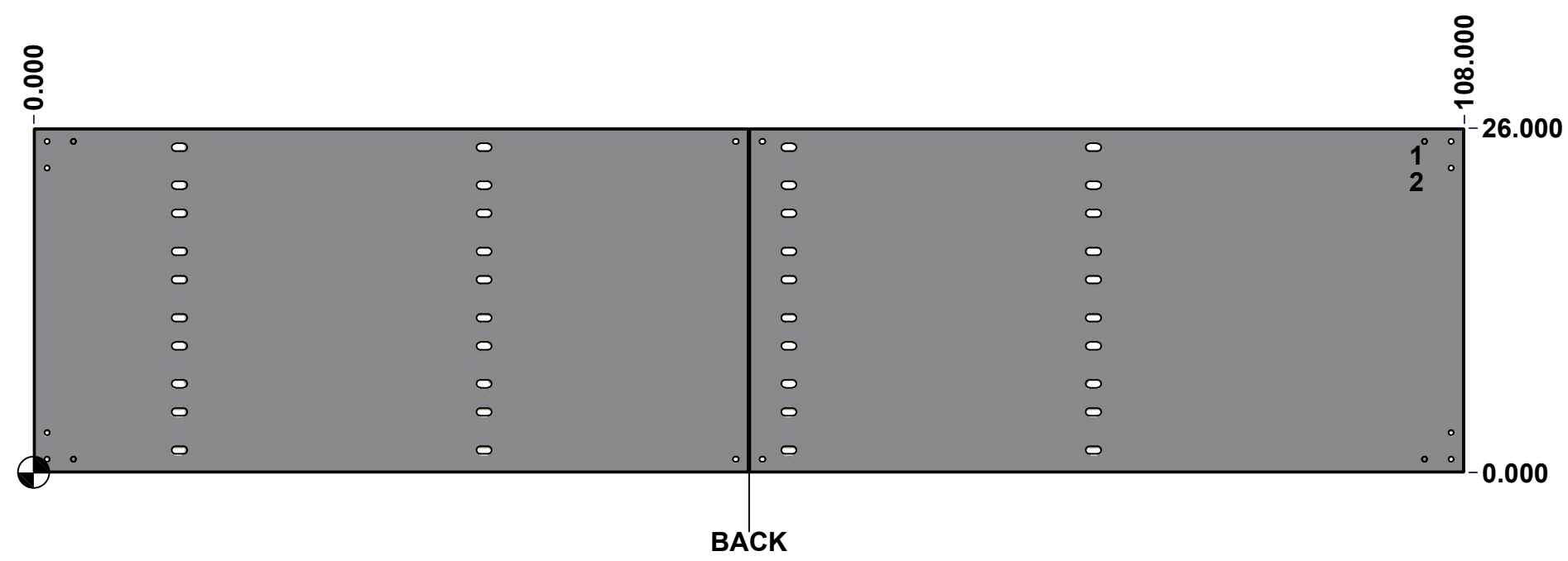
SEE BILL OF MATERIAL ON LAST PAGE

4
8

This drawing is confidential and must not be reproduced or used without the consent of Eurobox

Ce dessin est confidentiel et ne doit pas être reproduit ou utilisé sans le consentement de Eurobox

STANDARD FEATURES ARE NOT LISTED IN THIS HOLE TABLE			
HOLE TABLE - BACK VIEW (CUSTOM FEATURE ONLY)			
CUT-OUT	XDIM	YDIM	DESCRIPTION
1	104.000	24.000	GND STUD M8 x 35mm (Inside)
2	104.000	22.000	GND STUD M8 x 35mm (Inside)

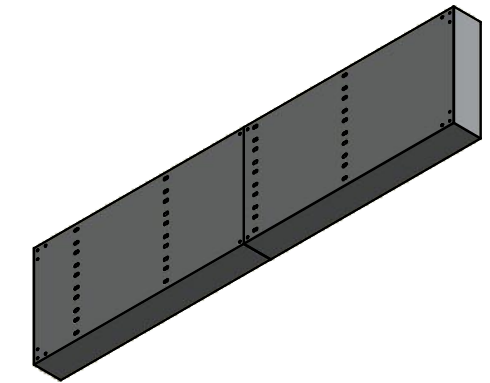


	Description	Status	
	1100BT 26" x 108" x 7" Body	(NULL)	
	Part Number Numéro Pièce	Rev.	5
	1100BT09205B	0	8

This drawing is confidential and must not be reproduced or used without the consent of EXM

Ce dessin est confidentiel et ne doit pas être reproduit ou utilisé sans le consentement de EXM

No.	Revisions	Date	By/Par



Isometric View

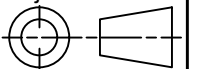


Tél: (450) 979-4373
 Fax: (450) 979-4626
www.exmweb.com

Flatness
Aplatissement

Max 3.0mm

Projection



Customer Client	Date
Drawn By / Dessiné Par: BoxCad: BoxCad	Date: 22-Jul-22
Material / Matière: 14 Ga Cold Rolled A1008 CS Type B (1.7mm)	

Color / Couleur: Asa-61 Grey	Finish / Fini: Smooth
------------------------------	-----------------------

Description: 1100BT 26" x 108" x 7" Body	Detail Rev.
------------------------------------------	-------------

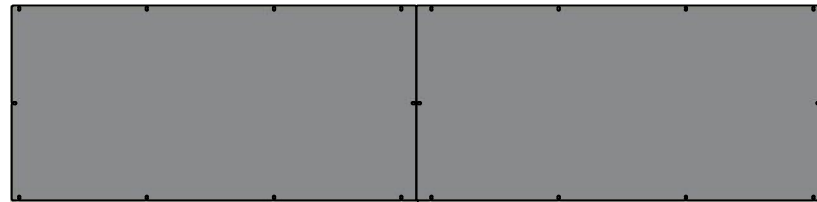
Part Number / Numéro Pièce: 1100BT09205B	Rev. 0	6 / 8
-------------------------------------------------	--------	-------

Qty	Part Number	Rev	Description
1	STK-P-02400S	0	Powder Paint (Asa-61 Grey / Smooth)
1	1100BT09205B-P	0	1100BT 26" x 108" x 7" Body Part
1	STK-S-00100	0	3.5" x 2" Silver Milar Flexcon Sticker
2	STK-Q-16005	1	Stud M8 x 35 (No Paint Cap Required)
1	1100BT09205E-P	0	1100BT 26" x 108" x 7" Body Part
Parts List			

This drawing is confidential and must not be reproduced or used without the consent of EXM

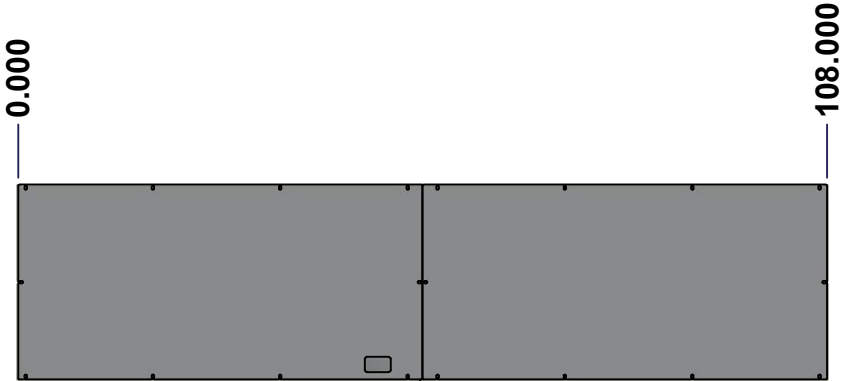
Ce dessin est confidentiel et ne doit pas être reproduit ou utilisé sans le consentement de EXM

TOP



BACK

LEFT

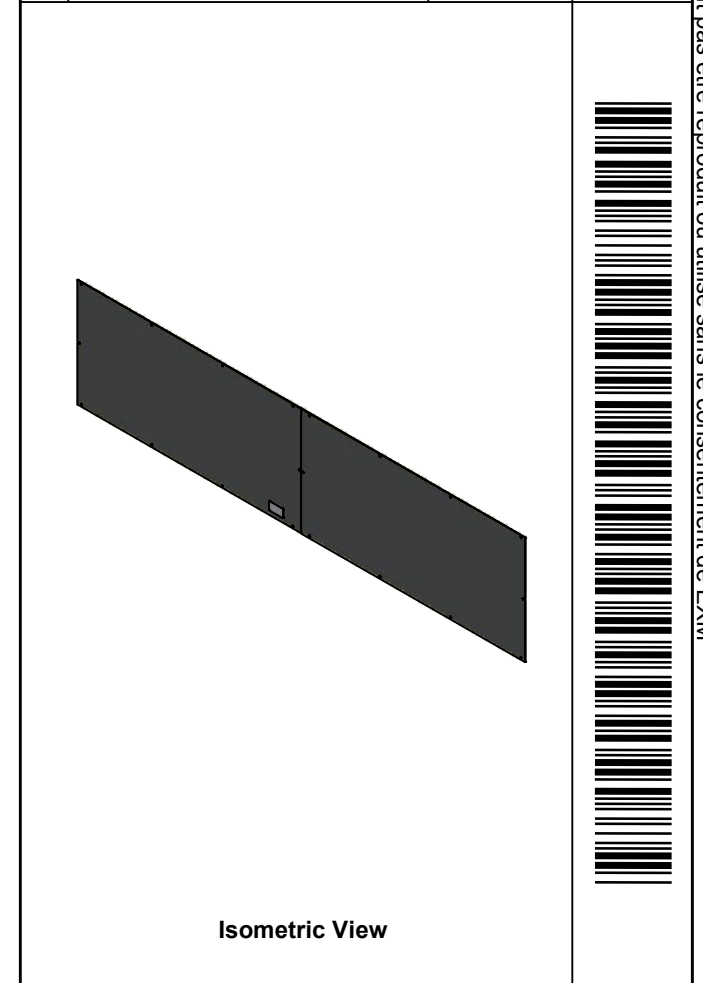


FRONT


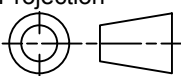
RIGHT
26.000
0.000

BOTTOM

No.	Revisions	Date	By/Par



Isometric View

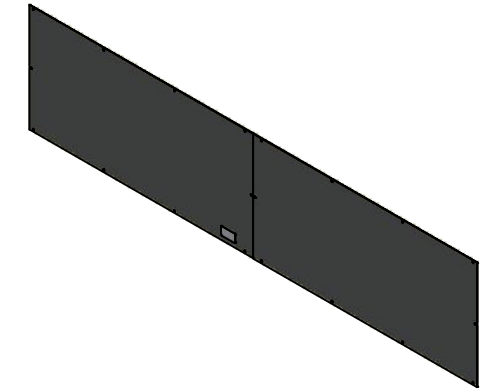
 Tél: (450) 979-4373 Fax: (450) 979-4626 www.exmweb.com		Flatness Aplatissement Max 3.0mm Projection 
Customer Client	Date	
Drawn By Dessiné Par	BoxCad: BoxCad	Date 22-Jul-22
Material Matière	14 Ga Cold Rolled A1008 CS Type B (1.7mm)	
Color Couleur	Asa-61 Grey	Finish Fini Smooth
Description	Detail Rev.	
1100BT 26" x 108" Cover		
Part Number Numéro Pièce	Rev. 0	7 8
1100BT09205C		

SEE BILL OF MATERIAL ON LAST PAGE


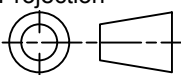
This drawing is confidential and must not be reproduced or used without the consent of EXM

Ce dessin est confidentiel et ne doit pas être reproduit ou utilisé sans le consentement de EXM

No.	Revisions	Date	By/Par



Isometric View

 Tél: (450) 979-4373 Fax: (450) 979-4626 www.exmweb.com		Flatness Aplatissement Max 3.0mm
Customer Client		Projection 
Drawn By / Dessiné Par: BoxCad: BoxCad		Date: 22-Jul-22
Material / Matière: 14 Ga Cold Rolled A1008 CS Type B (1.7mm)		
Color / Couleur: Asa-61 Grey	Finish / Fini: Smooth	
Description: 1100BT 26" x 108" Cover		Detail Rev.
Part Number / Numéro Pièce: 1100BT09205C		Rev. 8 0

Qty	Part Name	Rev	Description
1	STK-P-02400S	0	Powder Paint (Asa-61 Grey / Smooth)
1	1100BT09205F-P	0	1100BT 26" x 108" Flanged Cover Part
1	1100BT09205C-P	0	1100BT 26" x 108" Flat Cover Part
1	STK-S-00100	0	3.5" x 2" Silver Milar Flexcon Sticker
Parts List			