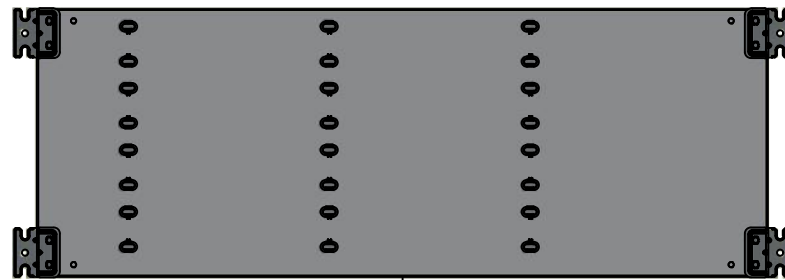


This drawing is confidential and must not be reproduced or used without the consent of EXM

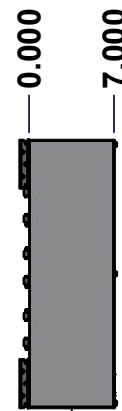
Ce dessin est confidentiel et ne doit pas être reproduit ou utilisé sans le consentement de EXM



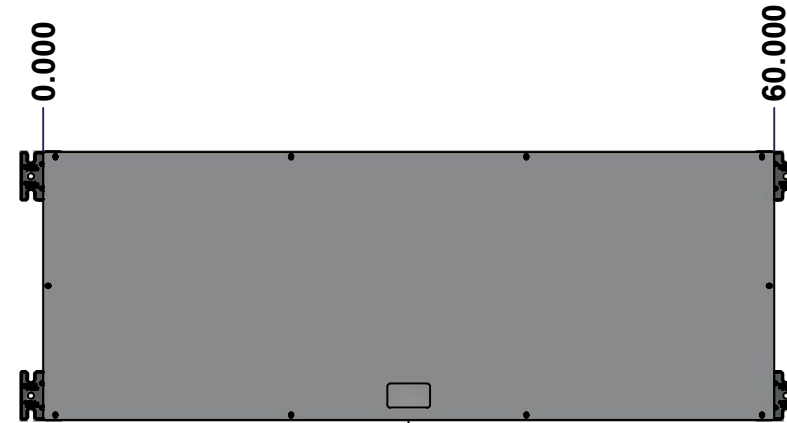
TOP



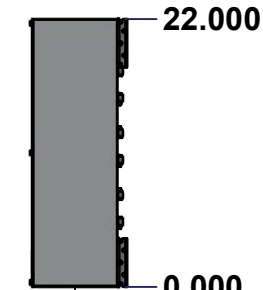
BACK



LEFT



FRONT

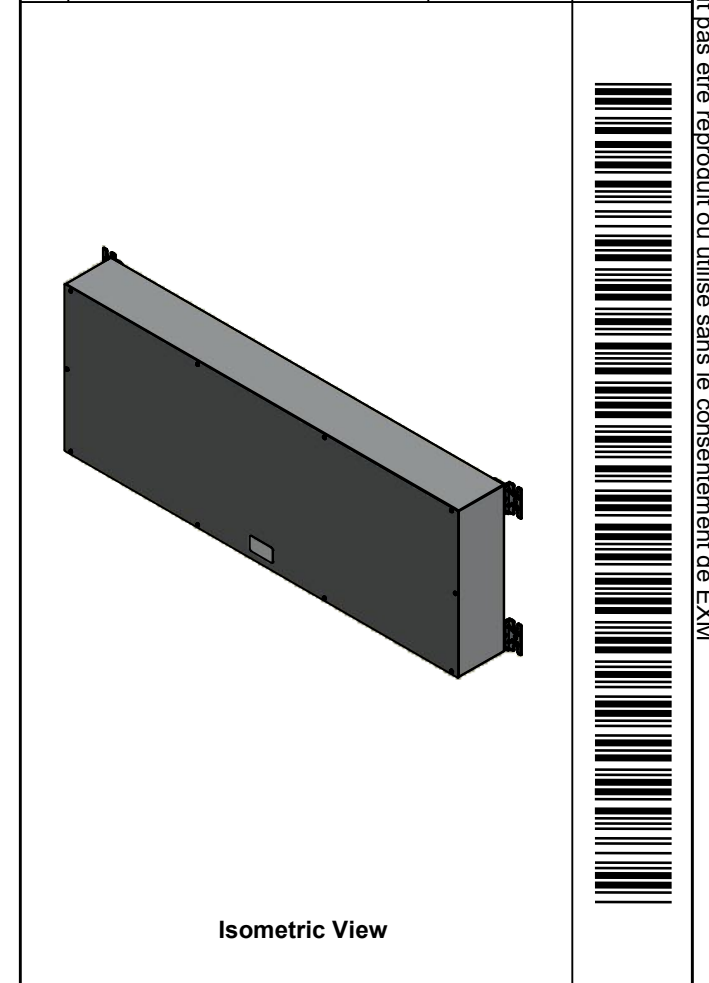


RIGHT


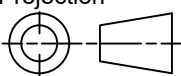


BOTTOM

| No. | Revisions | Date | By/Par |
|-----|-----------|------|--------|
| | | | |
| | | | |
| | | | |
| | | | |



Isometric View

| | | |
|--|---|---|
|  Tél: (450) 979-4373 Fax: (450) 979-4626 www.exmweb.com | | Flatness Aplatissement Max 3.0mm Projection  |
| Customer Client | Date | |
| Drawn By Dessiné Par | BoxCad: BoxCad | Date 8/1/2022 |
| Material Matière | 14 Ga Cold Rolled A1008 CS Type B (1.7mm) | |
| Color Couleur | Asa-61 Grey | Finish Fini Smooth |
| Description | Detail Rev. | |
| 1100BTCU 225A - 4Wires x 60" Assembly | | |
| Part Number Numéro Pièce | Rev. 0 | 1/8 |

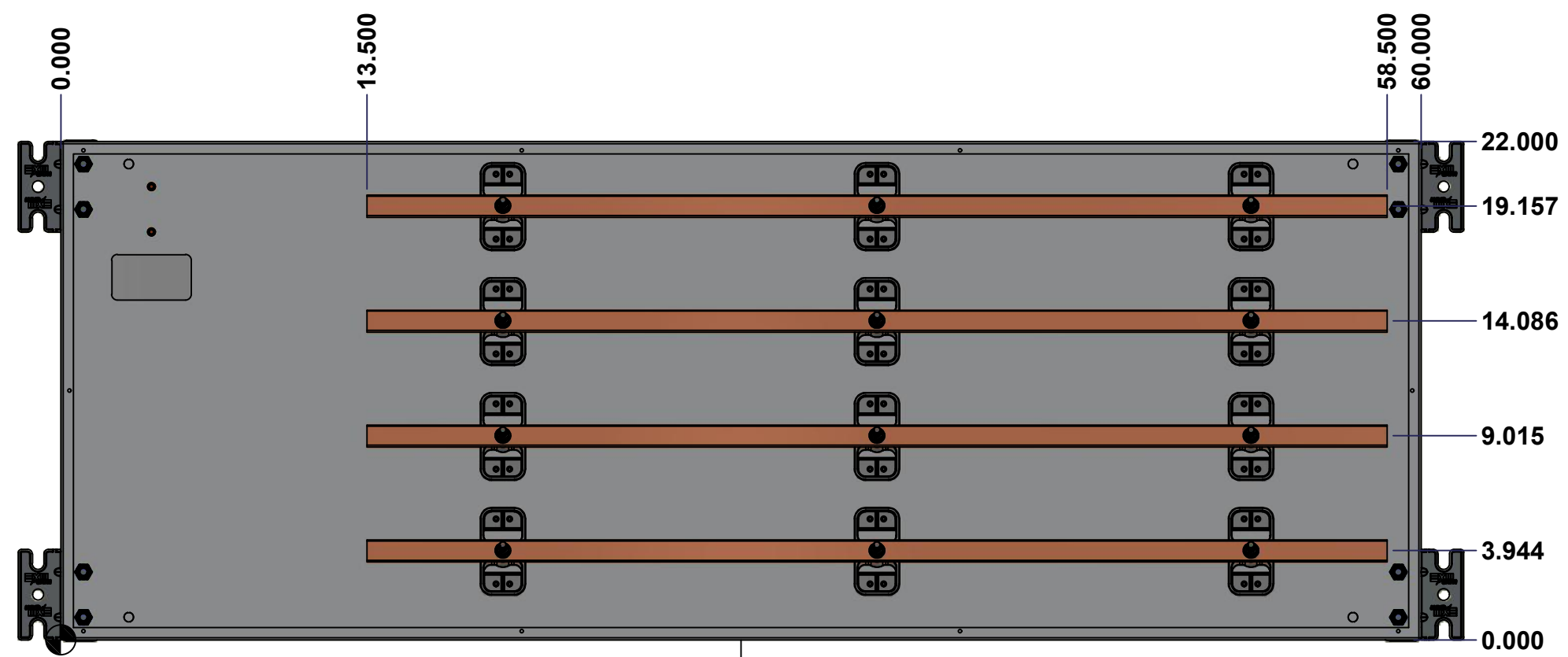
SEE BILL OF MATERIAL ON LAST PAGE

1100BTCU05204

This drawing is confidential and must not be reproduced or used without the consent of Eurobox

STANDARD FEATURES ARE NOT LISTED IN THIS HOLE TABLE

Ce dessin est confidentiel et ne doit pas être reproduit ou utilisé sans le consentement de Eurobox



BARS

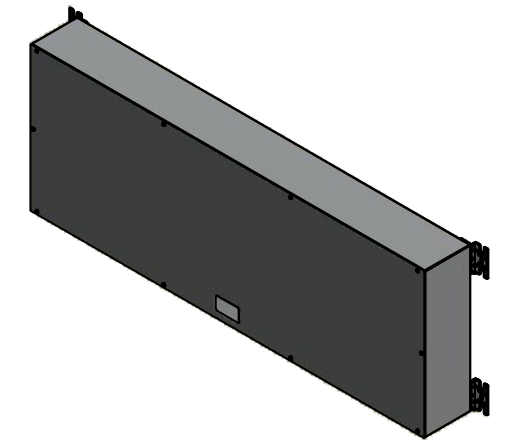
| | | | |
|--|---------------------------------------|--------|---|
| | Description | Status | |
| | 1100BTCU 225A - 4Wires x 60" Assembly | (NULL) | |
| | Part Number | Rev. | |
| | Numéro Pièce | 0 | 2 |
| | 1100BTCU05204 | | 8 |

This drawing is confidential and must not be reproduced or used without the consent of EXM

Ce dessin est confidentiel et ne doit pas être reproduit ou utilisé sans le consentement de EXM

| NOTE | |
|------|--|
| ITEM | DESCRIPTION |
| 1 | NEMA 1 Enclosure |
| 2 | C/W Standard ground studs on box and cover |
| 3 | W/O Standard door stiffener |
| 4 | W/O Inner panel |
| 5 | W/O Inner panel mounting studs |

| No. | Revisions | Date | By/Par |
|-----|-----------|------|--------|
| | | | |
| | | | |
| | | | |
| | | | |
| | | | |



Isometric View

| PACKING | | |
|-----------------------|-----|--|
| ITEM | QTY | DESCRIPTION |
| Cardboard sleeve | 2 | Top and Bottom |
| Cardboard strip | 2 | Between back of enclosure and inner panel |
| Plastic bag | 1 | To protect cover surface and inside gasket |
| Cardboard corner | 4 | To reinforced for the plastic strap tightening |
| Plastic strap - Black | 2 | To Squeeze 2 cardboard sleeve together |
| Packaging label | 3 | White label with PN |
| Plastic strap- Green | 2 | To secure the enclosure to the wood pallet |
| Wood Pallet | 1 | 2" deeper and 3" larger than enclosure size |

| Qty | Part Number | Rev | Description |
|------------|---------------------|-----|-----------------------------------|
| 2 | 885 BTMF | 0 | 885 BTMF Mounting Feet Kit |
| 1 | 1100BTCU05204BAR3-P | 0 | Rounded Edge Copper Bar 1/8" x 1" |
| 1 | 1100BTCU05204BAR2-P | 0 | Rounded Edge Copper Bar 1/8" x 1" |
| 1 | 1100BTCU05204BAR1-P | 0 | Rounded Edge Copper Bar 1/8" x 1" |
| 1 | 1100BTCU05204BAR4-P | 0 | Rounded Edge Copper Bar 1/8" x 1" |
| 12 | STK-Q-07310 | 2 | Flange Lock Nut M8 |
| 12 | STK-A-67400 | 0 | Buss Bar Insulator Kit |
| 10 | STK-Q-05020 | 5 | M5 x 8mm Thread Rolling Screw |
| 1 | 1100BTCU05204C | 0 | 1100BTCU 22" x 60" Cover |
| 1 | 1100BTCU05204B | 0 | 1100BTCU 22" x 60" x 7" Body |
| Parts List | | | |

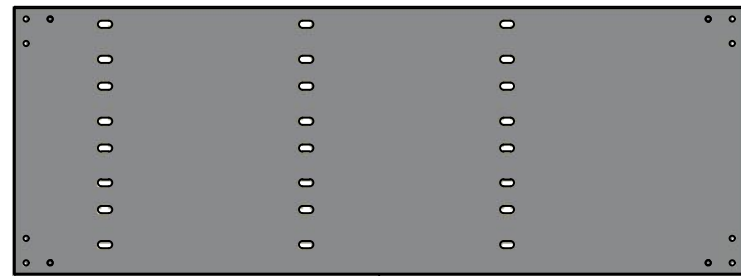
| | | |
|---------------------------------------|--|--|
| | Tél: (450) 979-4373 Fax: (450) 979-4626 www.exmweb.com | Flatness Aplatissement Max 3.0mm |
| | Projection | Date |
| Customer Client | BoxCad: BoxCad | Date 8/1/2022 |
| Drawn By Dessiné Par | 14 Ga Cold Rolled A1008 CS Type B (1.7mm) | |
| Material Matière | Color Couleur | Finish Fini |
| | Asa-61 Grey | Smooth |
| Description | Detail Rev. | |
| 1100BTCU 225A - 4Wires x 60" Assembly | | |
| Part Number Numéro Pièce | Rev. | |
| 1100BTCU05204 | 0 | 3/8 |

This drawing is confidential and must not be reproduced or used without the consent of EXM

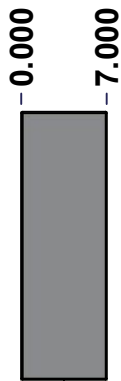
Ce dessin est confidentiel et ne doit pas être reproduit ou utilisé sans le consentement de EXM



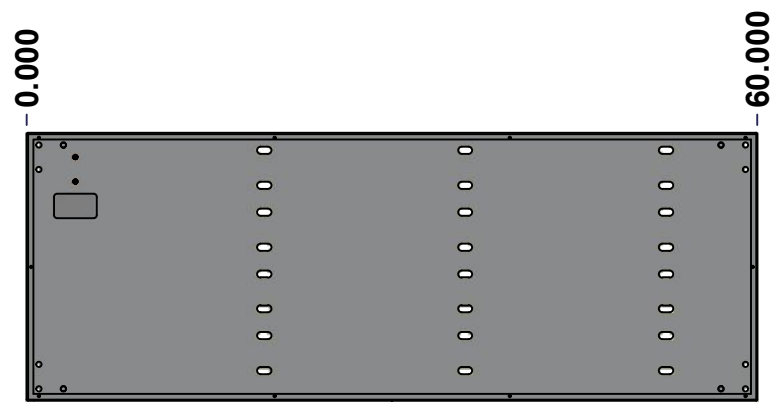
TOP



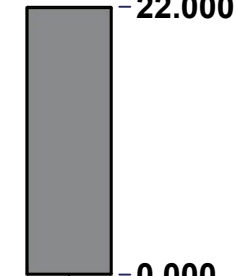
BACK



LEFT



FRONT

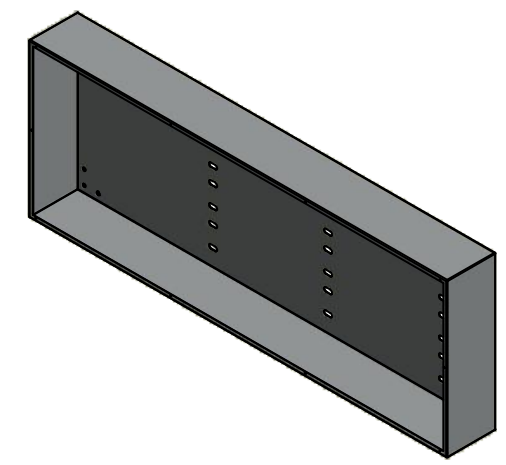


RIGHT



BOTTOM

| No. | Revisions | Date | By/Par |
|-----|-----------|------|--------|
| | | | |
| | | | |
| | | | |
| | | | |
| | | | |



Isometric View



Tél: (450) 979-4373
 Fax: (450) 979-4626
www.exmweb.com

Flatness
 Aplatissement
 Max 3.0mm
 Projection

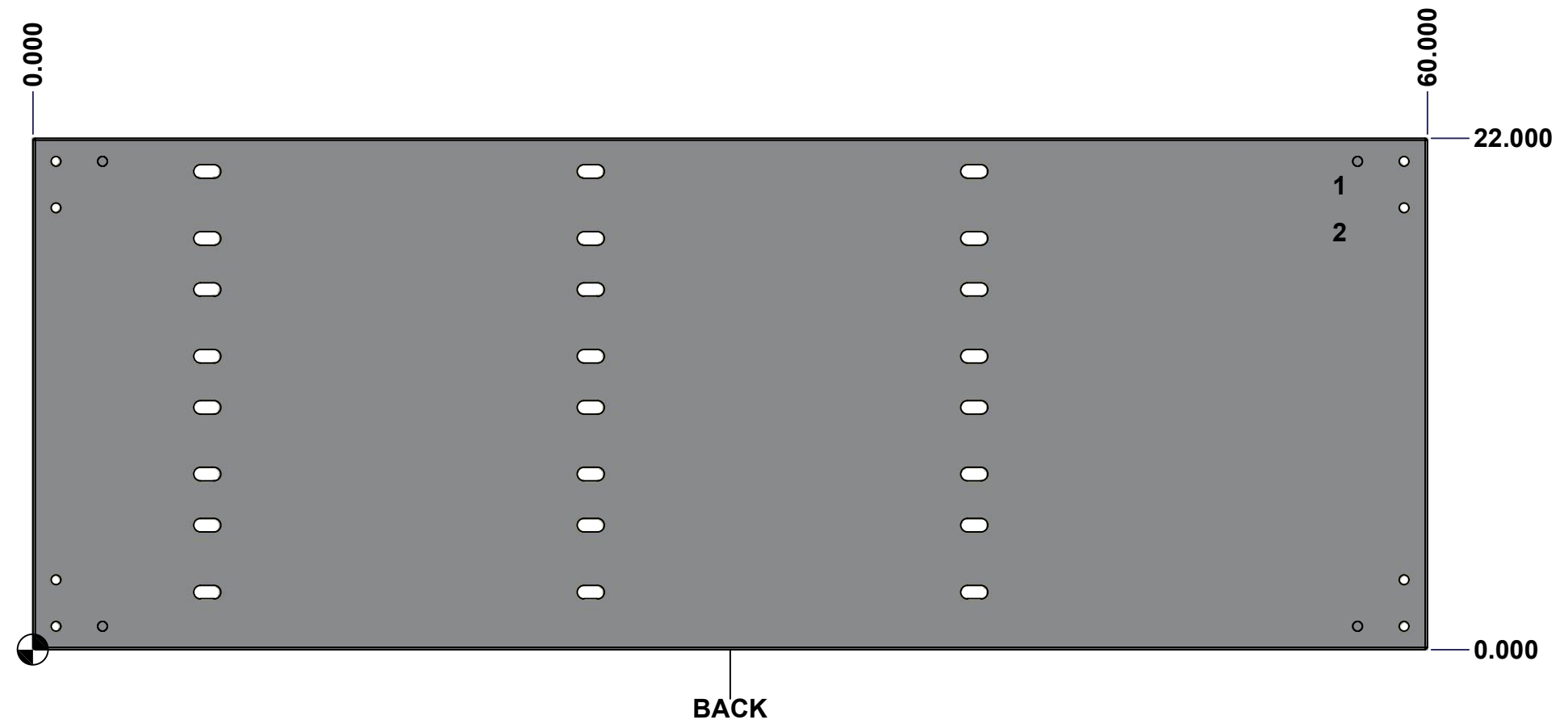
| | |
|---|-----------------------|
| Customer Client | Date |
| Drawn By / Dessiné Par: BoxCad: BoxCad | Date: 8/1/2022 |
| Material / Matière: 14 Ga Cold Rolled A1008 CS Type B (1.7mm) | |
| Color / Couleur: Asa-61 Grey | Finish / Fini: Smooth |
| Description: 1100BTCU 22" x 60" x 7" Body | |
| Part Number / Numéro Pièce: 1100BTCU05204B | Detail Rev.: |
| Rev. 0 | 4 / 8 |

SEE BILL OF MATERIAL ON LAST PAGE

This drawing is confidential and must not be reproduced or used without the consent of Eurobox

Ce dessin est confidentiel et ne doit pas être reproduit ou utilisé sans le consentement de Eurobox

| STANDARD FEATURES ARE NOT LISTED IN THIS HOLE TABLE | | | |
|--|--------|--------|-----------------------------|
| HOLE TABLE - BACK VIEW (CUSTOM FEATURE ONLY) | | | |
| CUT-OUT | XDIM | YDIM | DESCRIPTION |
| 1 | 56.000 | 20.000 | GND STUD M8 x 35mm (Inside) |
| 2 | 56.000 | 18.000 | GND STUD M8 x 35mm (Inside) |

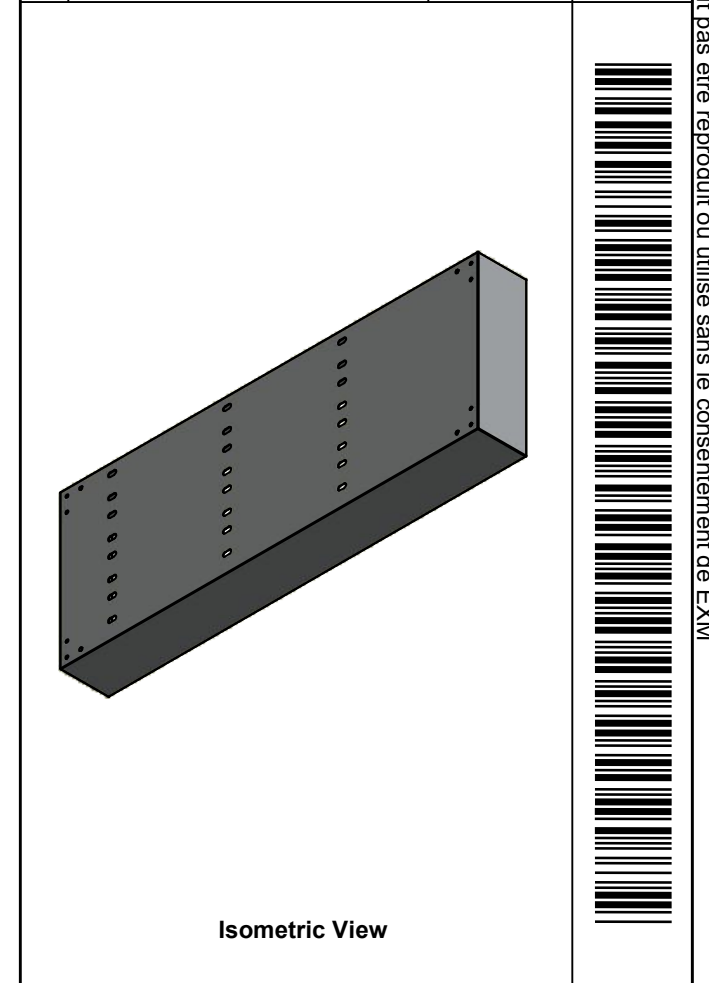



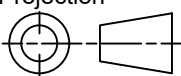
| | | | |
|--|------------------------------|----------|--------|
| | Description | Status | |
| | 1100BTCU 22" x 60" x 7" Body | (NULL) | |
| | Part Number Numéro Pièce | Rev. | |
| | 1100BTCU05204B | 0 | 5 8 |

This drawing is confidential and must not be reproduced or used without the consent of EXM

Ce dessin est confidentiel et ne doit pas être reproduit ou utilisé sans le consentement de EXM

| No. | Revisions | Date | By/Par |
|-----|-----------|------|--------|
| | | | |
| | | | |
| | | | |
| | | | |
| | | | |



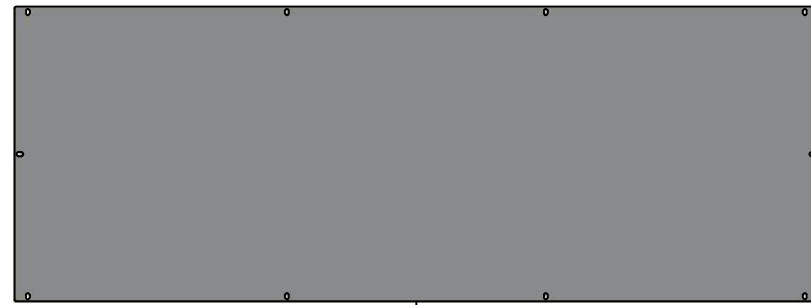
| | | |
|--|-----------------------|---|
|  Tél: (450) 979-4373 Fax: (450) 979-4626 www.exmweb.com | | Flatness Aplatissement Max 3.0mm |
| Customer Client | | Projection  |
| Drawn By Dessiné Par BoxCad: BoxCad | | Date 8/1/2022 |
| Material Matière 14 Ga Cold Rolled A1008 CS Type B (1.7mm) | | |
| Color Couleur Asa-61 Grey | Finish Fini Smooth | |
| Description 1100BTCU 22" x 60" x 7" Body | | Detail Rev. |
| Part Number Numéro Pièce 1100BTCU05204B | | Rev. 6 0 |

| Qty | Part Number | Rev | Description |
|------------|------------------|-----|--|
| 1 | STK-P-02400S | 0 | Powder Paint (Asa-61 Grey / Smooth) |
| 1 | STK-S-00100 | 0 | 3.5" x 2" Silver Milar Flexcon Sticker |
| 2 | STK-Q-16005 | 1 | Stud M8 x 35 (No Paint Cap Required) |
| 1 | 1100BTCU05204B-P | 0 | 1100BTCU 22" x 60" x 7" Body Part |
| Parts List | | | |

This drawing is confidential and must not be reproduced or used without the consent of EXM

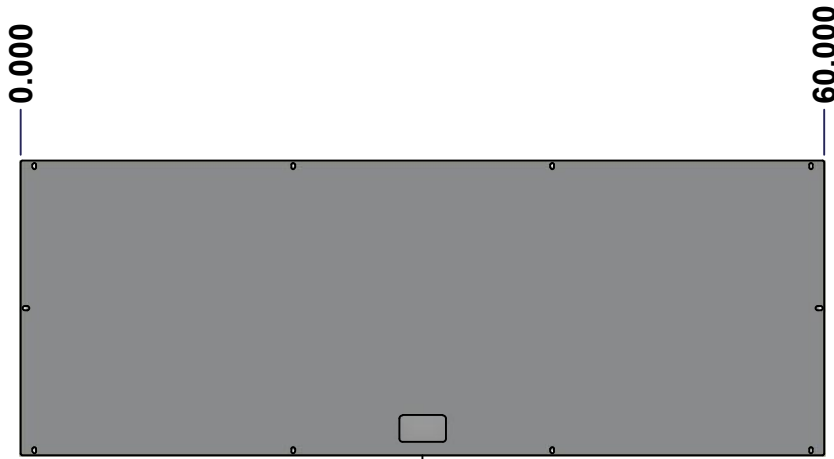
Ce dessin est confidentiel et ne doit pas être reproduit ou utilisé sans le consentement de EXM

TOP



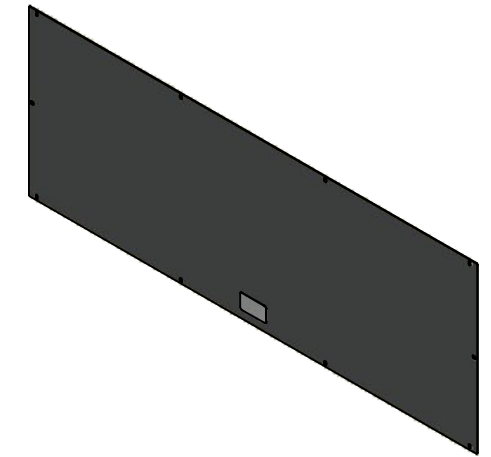
BACK

LEFT



FRONT

RIGHT


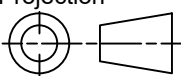


Isometric View



BOTTOM

| No. | Revisions | Date | By/Par |
|-----|-----------|------|--------|
| | | | |
| | | | |
| | | | |
| | | | |

| | | |
|--|---|---|
|  Tél: (450) 979-4373 Fax: (450) 979-4626 www.exmweb.com | | Flatness Aplatissement Max 3.0mm Projection  |
| Customer Client | Date | |
| Drawn By Dessiné Par | BoxCad: BoxCad | Date 8/1/2022 |
| Material Matière | 14 Ga Cold Rolled A1008 CS Type B (1.7mm) | |
| Color Couleur | Asa-61 Grey | Finish Fini Smooth |
| Description 1100BTCU 22" x 60" Cover | | Detail Rev. |
| Part Number Numéro Pièce | Rev. 0 | 7 8 |

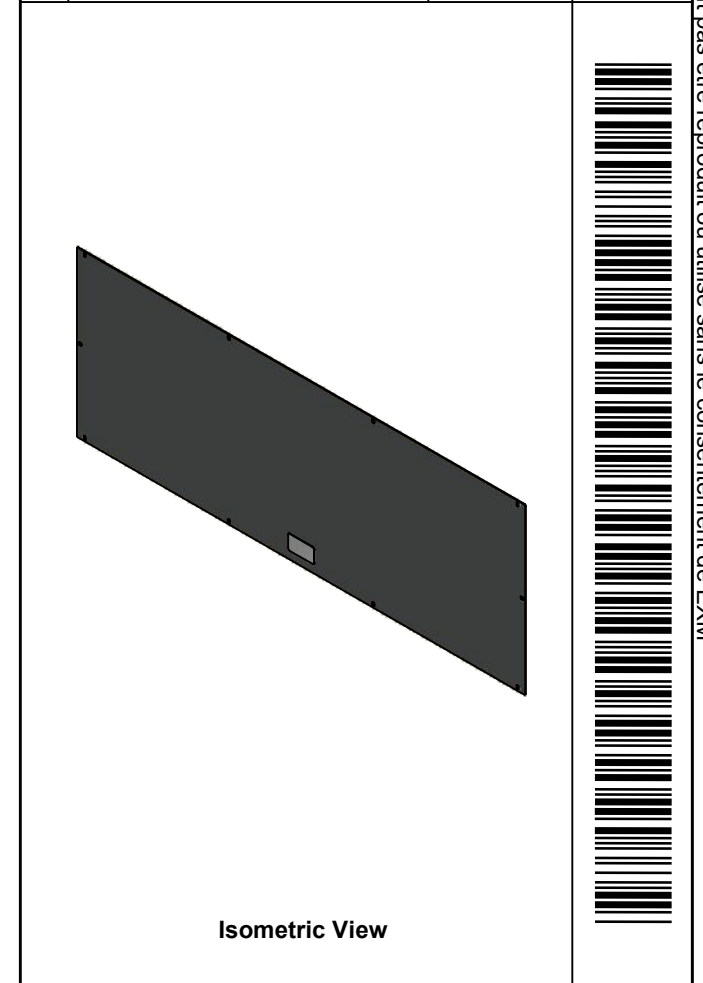
SEE BILL OF MATERIAL ON LAST PAGE


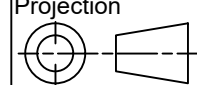
1100BTCU05204C

This drawing is confidential and must not be reproduced or used without the consent of EXM

Ce dessin est confidentiel et ne doit pas être reproduit ou utilisé sans le consentement de EXM

| No. | Revisions | Date | By/Par |
|-----|-----------|------|--------|
| | | | |
| | | | |
| | | | |
| | | | |
| | | | |



| | | |
|--|-----------------------|---|
|  Tél: (450) 979-4373 Fax: (450) 979-4626 www.exmweb.com | | Flatness Aplatissement Max 3.0mm Projection  |
| Customer Client | Date | |
| Drawn By / Dessiné Par: BoxCad: BoxCad | Date: 8/1/2022 | |
| Material / Matière: 14 Ga Cold Rolled A1008 CS Type B (1.7mm) | | |
| Color / Couleur: Asa-61 Grey | Finish / Fini: Smooth | |
| Description: 1100BTCU 22" x 60" Cover | | Detail Rev. |
| Part Number / Numéro Pièce: 1100BTCU05204C | | Rev. 8 |
| | | 0 |

| Qty | Part Name | Rev | Description |
|------------|------------------|-----|--|
| 1 | STK-P-02400S | 0 | Powder Paint (Asa-61 Grey / Smooth) |
| 1 | STK-S-00100 | 0 | 3.5" x 2" Silver Milar Flexcon Sticker |
| 1 | 1100BTCU05204C-P | 0 | 1100BTCU 22" x 60" Flat Cover Part |
| Parts List | | | |