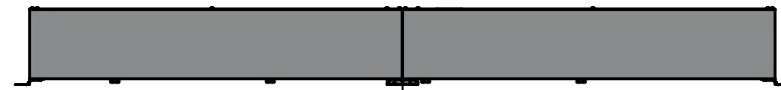
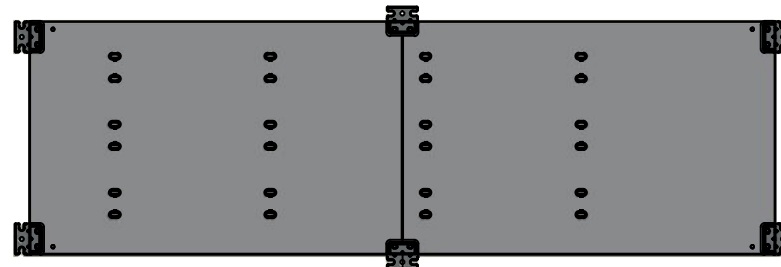


This drawing is confidential and must not be reproduced or used without the consent of EXM

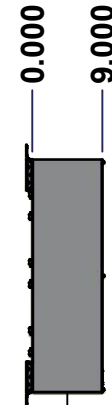
Ce dessin est confidentiel et ne doit pas être reproduit ou utilisé sans le consentement de EXM



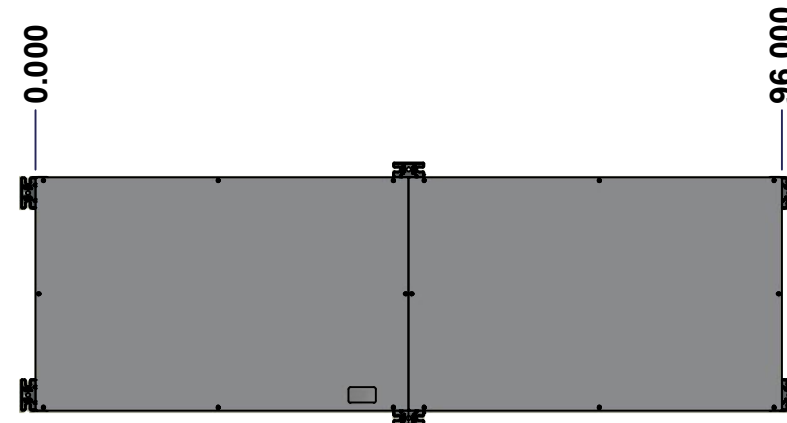
TOP



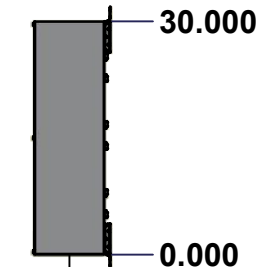
BACK



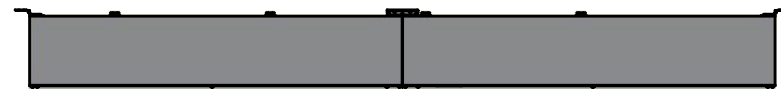
LEFT



FRONT

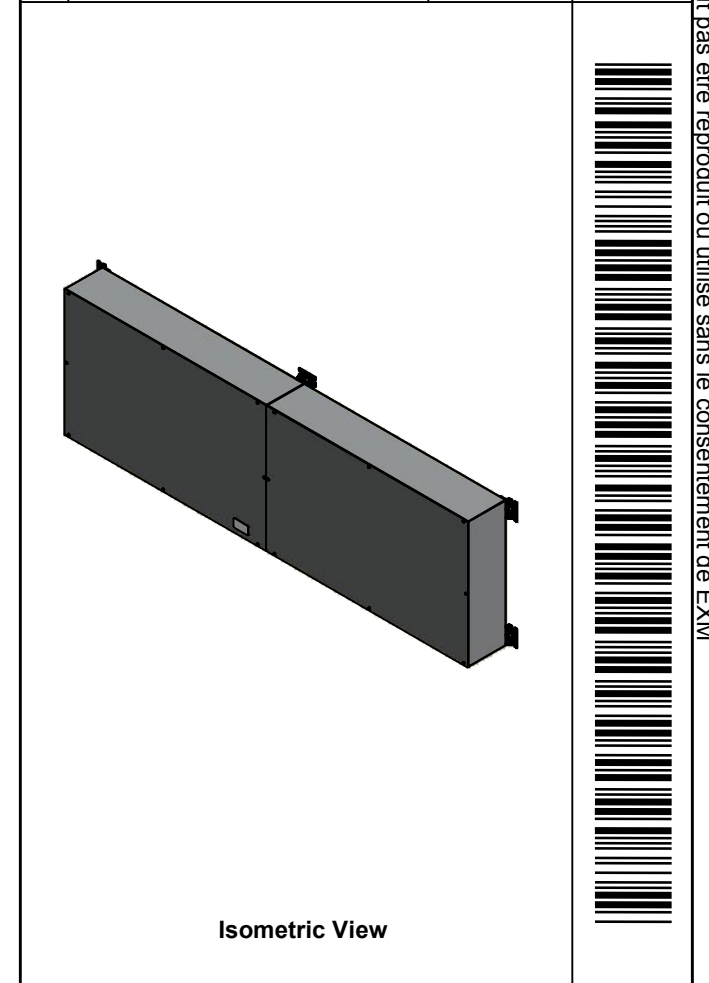


RIGHT


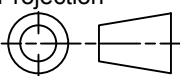


BOTTOM

| No. | Revisions | Date | By/Par |
|-----|-----------|------|--------|
| | | | |
| | | | |
| | | | |
| | | | |



Isometric View

| | | |
|--|---|---|
|  Tél: (450) 979-4373 Fax: (450) 979-4626 www.exmweb.com | | Flatness Aplatissement Max 3.0mm Projection  |
| Customer Client | Date | |
| Drawn By Dessiné Par | BoxCad: BoxCad | Date 10-Aug-22 |
| Material Matière | 14 Ga Cold Rolled A1008 CS Type B (1.7mm) | |
| Color Couleur | Asa-61 Grey | Finish Fini Smooth |
| Description | Detail Rev. | |
| 1100BTCU 2000A - 3Wires x 96" Assembly | | |
| Part Number Numéro Pièce | Rev. | 1 |
| SEE BILL OF MATERIAL ON LAST PAGE | 1100BTCU082003 | 0 |

SEE BILL OF MATERIAL ON LAST PAGE

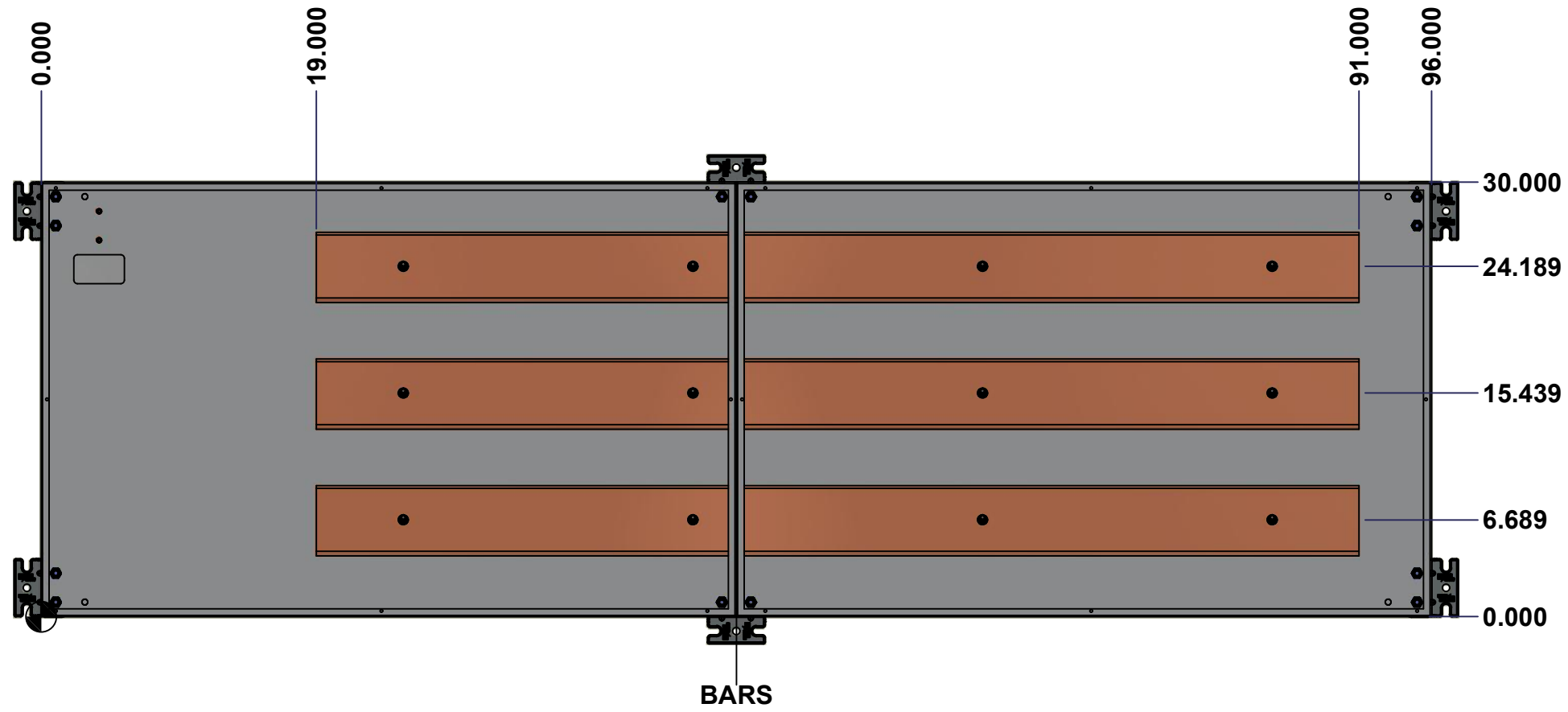
1100BTCU082003

Rev. 1
0

This drawing is confidential and must not be reproduced or used without the consent of Eurobex

STANDARD FEATURES ARE NOT LISTED IN THIS HOLE TABLE

Ce dessin est confidentiel et ne doit pas être reproduit ou utilisé sans le consentement de Eurobex



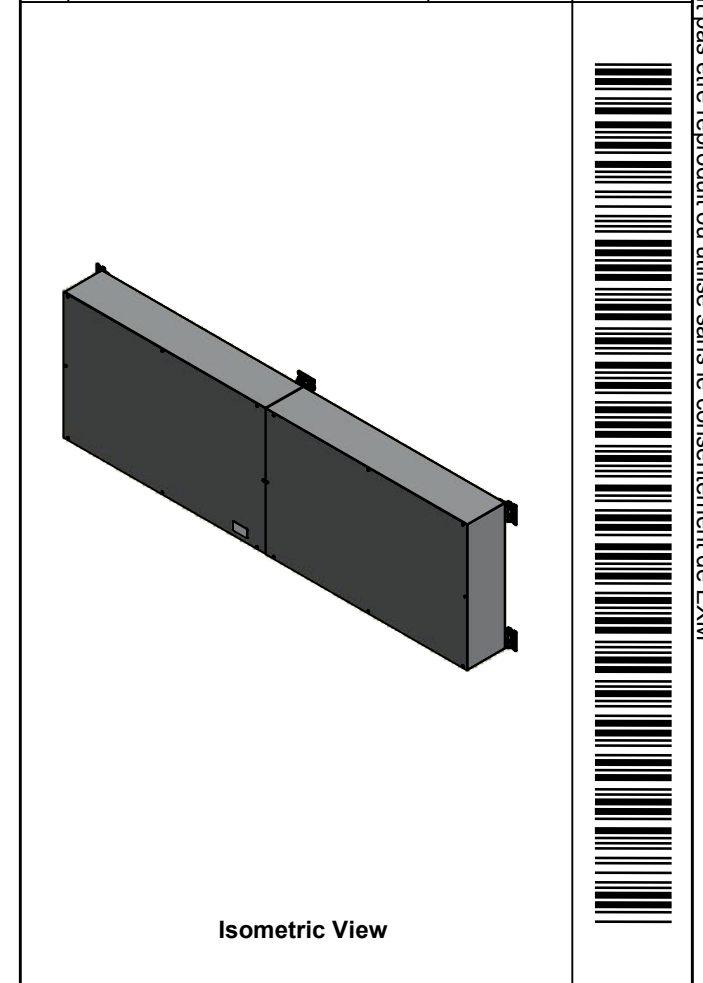
| | | | |
|-----------------------|--|----------|--------|
| | Description | | Status |
| | 1100BTCU 2000A - 3Wires x 96" Assembly | | (NULL) |
| Part Number | | Rev. | 2 |
| Numéro Pièce | | 0 | 8 |
| 1100BTCU082003 | | | |

This drawing is confidential and must not be reproduced or used without the consent of EXM

Ce dessin est confidentiel et ne doit pas être reproduit ou utilisé sans le consentement de EXM

| NOTE | |
|------|--|
| ITEM | DESCRIPTION |
| 1 | NEMA 1 Enclosure |
| 2 | C/W Standard ground studs on box and cover |
| 3 | W/O Standard door stiffener |
| 4 | W/O Inner panel |
| 5 | W/O Inner panel mounting studs |

| No. | Revisions | Date | By/Par |
|-----|-----------|------|--------|
| | | | |
| | | | |
| | | | |
| | | | |
| | | | |



| PACKING | | |
|-----------------------|-----|--|
| ITEM | QTY | DESCRIPTION |
| Cardboard sleeve | 2 | Top and Bottom |
| Cardboard strip | 2 | Between back of enclosure and inner panel |
| Plastic bag | 1 | To protect cover surface and inside gasket |
| Cardboard corner | 4 | To reinforced for the plastic strap tightening |
| Plastic strap - Black | 2 | To Squeeze 2 cardboard sleeve together |
| Packaging label | 3 | White label with PN |
| Plastic strap- Green | 2 | To secure the enclosure to the wood pallet |
| Wood Pallet | 1 | 2" deeper and 3" larger than enclosure size |

| | | | |
|------------|----------------------|-----|-------------------------------------|
| 1 | 1100BTCU082003BAR3-P | 0 | Rounded Edge Copper Bar 1/2" x 5" |
| 1 | 1100BTCU082003BAR2-P | 0 | Rounded Edge Copper Bar 1/2" x 5" |
| 1 | 1100BTCU082003BAR1-P | 0 | Rounded Edge Copper Bar 1/2" x 5" |
| 12 | STK-Q-07310 | 2 | Flange Lock Nut M8 |
| 12 | STK-A-67400 | 0 | Buss Bar Insulator Kit |
| 10 | STK-Q-03210 | 0 | Thread Cutting Screw 1/4-20 x 5/16" |
| 16 | STK-Q-05020 | 5 | M5 x 8mm Thread Rolling Screw |
| 1 | 1100BTCU082003C | 0 | 1100BTCU 30" x 96" Cover |
| 1 | 1100BTCU082003B | 0 | 1100BTCU 30" x 96" x 9" Body |
| 3 | 885 BTMF | 0 | 885 BTMF Mounting Feet Kit |
| Qty | Part Number | Rev | Description |
| Parts List | | | |

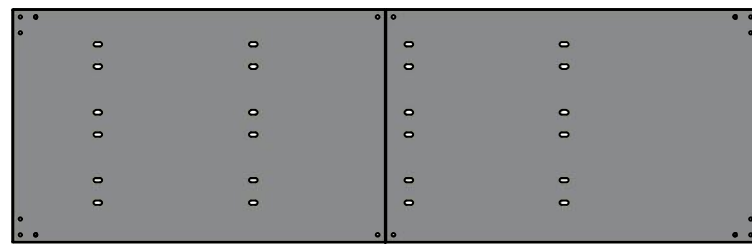
| | | |
|---|---|-----------------------|
| <p>Tél: (450) 979-4373 Fax: (450) 979-4626 www.exmweb.com</p> | Flatness Aplatissement | Max 3.0mm |
| | Projection | |
| Customer Client | Date | |
| Drawn By Dessiné Par | BoxCad: BoxCad | Date 10-Aug-22 |
| Material Matière | 14 Ga Cold Rolled A1008 CS Type B (1.7mm) | |
| Color Couleur | Asa-61 Grey | Finish Fini Smooth |
| Description | Detail Rev. | |
| 1100BTCU 2000A - 3Wires x 96" Assembly | | |
| Part Number Numéro Pièce | Rev. | 3 |
| 1100BTCU082003 | 0 | 8 |

This drawing is confidential and must not be reproduced or used without the consent of EXM

Ce dessin est confidentiel et ne doit pas être reproduit ou utilisé sans le consentement de EXM



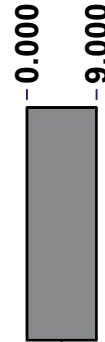
TOP



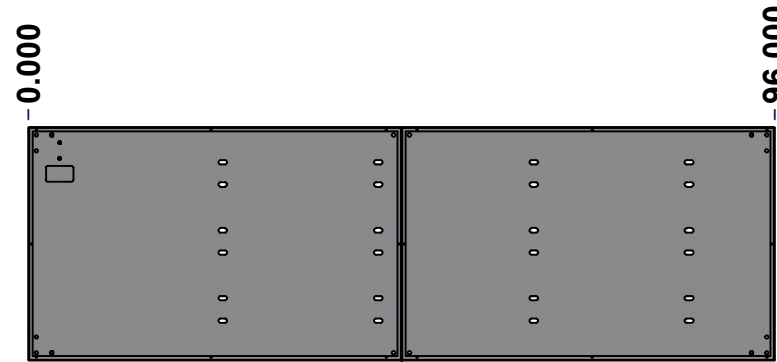
BACK



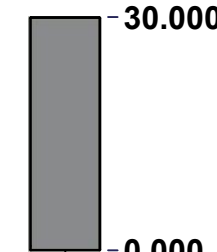
BOTTOM



LEFT



FRONT



RIGHT

| No. | Revisions | Date | By/Par |
|-----|-----------|------|--------|
| | | | |
| | | | |
| | | | |
| | | | |
| | | | |

Isometric View

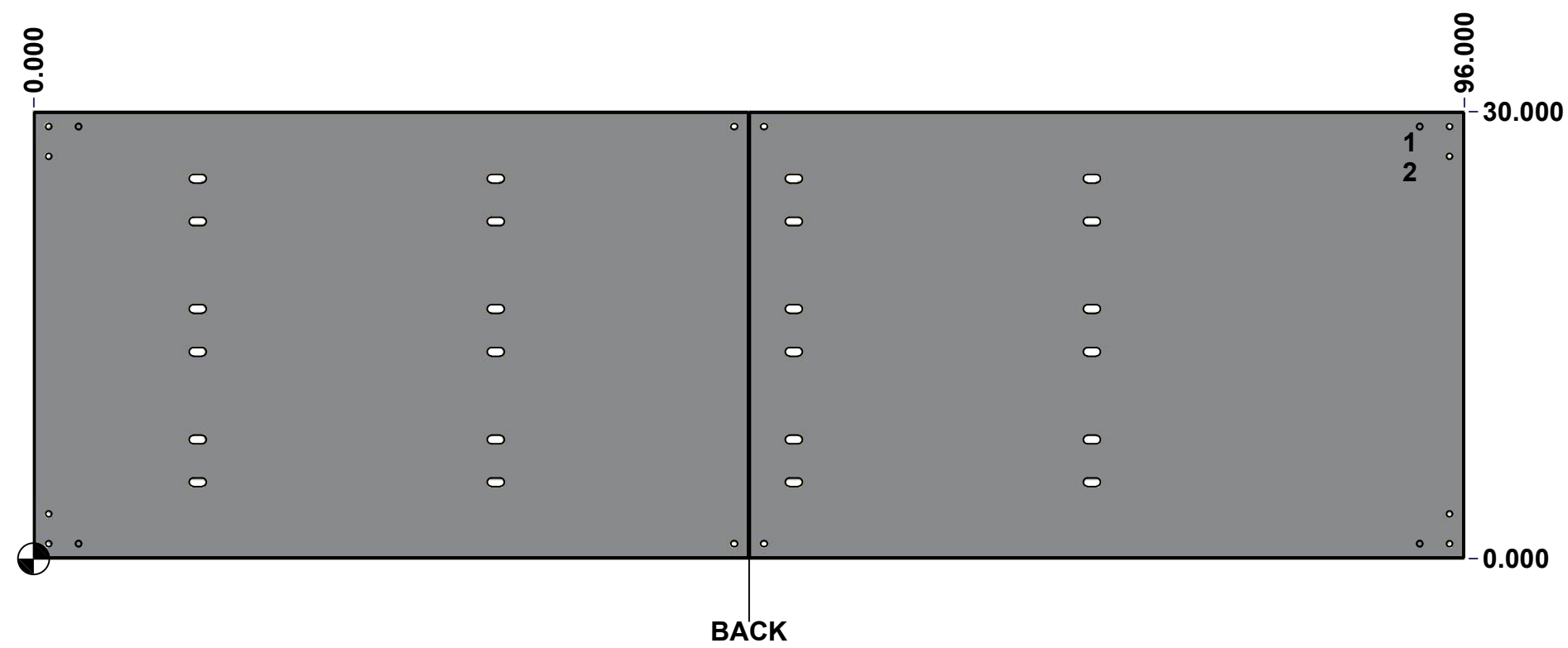
| | |
|---|---|
| <p>Tél: (450) 979-4373 Fax: (450) 979-4626 www.exmweb.com</p> | Flatness Aplatissement <p>Max 3.0mm Projection </p> |
| Customer Client | Date |
| Drawn By Dessiné Par BoxCad: BoxCad | Date 10-Aug-22 |
| Material Matière 14 Ga Cold Rolled A1008 CS Type B (1.7mm) | |
| Color Couleur Asa-61 Grey | Finish Fini Smooth |
| Description 1100BTCU 30" x 96" x 9" Body | |
| Part Number Numéro Pièce 1100BTCU082003B | Detail Rev. Rev. 4 0 |

SEE BILL OF MATERIAL ON LAST PAGE

This drawing is confidential and must not be reproduced or used without the consent of Eurobox

Ce dessin est confidentiel et ne doit pas être reproduit ou utilisé sans le consentement de Eurobox

| STANDARD FEATURES ARE NOT LISTED IN THIS HOLE TABLE | | | |
|--|--------|--------|-----------------------------|
| HOLE TABLE - BACK VIEW (CUSTOM FEATURE ONLY) | | | |
| CUT-OUT | XDIM | YDIM | DESCRIPTION |
| 1 | 92.000 | 28.000 | GND STUD M8 x 35mm (Inside) |
| 2 | 92.000 | 26.000 | GND STUD M8 x 35mm (Inside) |

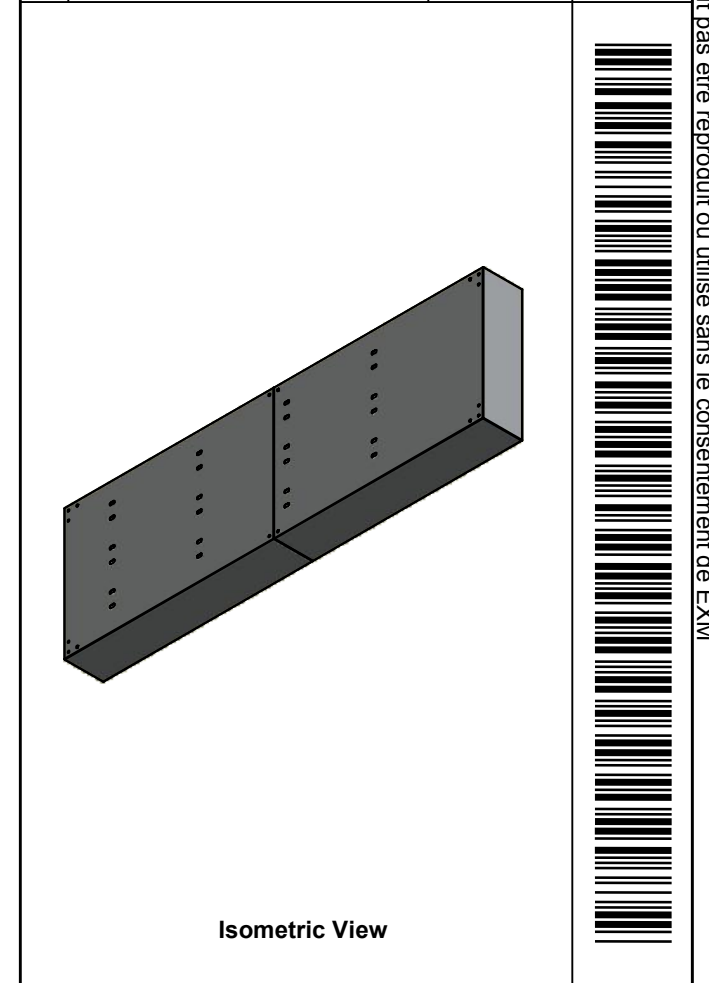



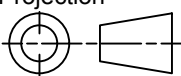
| | | |
|--|------------------------------|------------------|
| | Description | Status |
| | 1100BTCU 30" x 96" x 9" Body | (NULL) |
| | Part Number Numéro Pièce | Rev. |
| | 1100BTCU082003B | 0 / 5 / 8 |

This drawing is confidential and must not be reproduced or used without the consent of EXM

Ce dessin est confidentiel et ne doit pas être reproduit ou utilisé sans le consentement de EXM

| No. | Revisions | Date | By/Par |
|-----|-----------|------|--------|
| | | | |
| | | | |
| | | | |
| | | | |
| | | | |



| | | |
|--|---|---|
|  Tél: (450) 979-4373 Fax: (450) 979-4626 www.exmweb.com | | Flatness Aplatissement Max 3.0mm Projection  |
| Customer Client | Date | |
| Drawn By Dessiné Par | BoxCad: BoxCad | Date 10-Aug-22 |
| Material Matière | 14 Ga Cold Rolled A1008 CS Type B (1.7mm) | |
| Color Couleur | Asa-61 Grey | Finish Fini Smooth |
| Description | | Detail Rev. |
| 1100BTCU 30" x 96" x 9" Body | | |
| Part Number Numéro Pièce | Rev. | 6 |
| 1100BTCU082003B | 0 | 8 |

| 1 | STK-P-02400S | 0 | Powder Paint (Asa-61 Grey / Smooth) |
|------------|-------------------|-----|--|
| 1 | 1100BTCU082003B-P | 0 | 1100BTCU 30" x 96" x 9" Body Part |
| 1 | STK-S-00100 | 0 | 3.5" x 2" Silver Milar Flexcon Sticker |
| 2 | STK-Q-16005 | 1 | Stud M8 x 35 (No Paint Cap Required) |
| 1 | 1100BTCU082003E-P | 0 | 1100BTCU 30" x 96" x 9" Body Part |
| Qty | Part Number | Rev | Description |
| Parts List | | | |

This drawing is confidential and must not be reproduced or used without the consent of EXM

Ce dessin est confidentiel et ne doit pas être reproduit ou utilisé sans le consentement de EXM

TOP

BACK

BOTTOM

LEFT

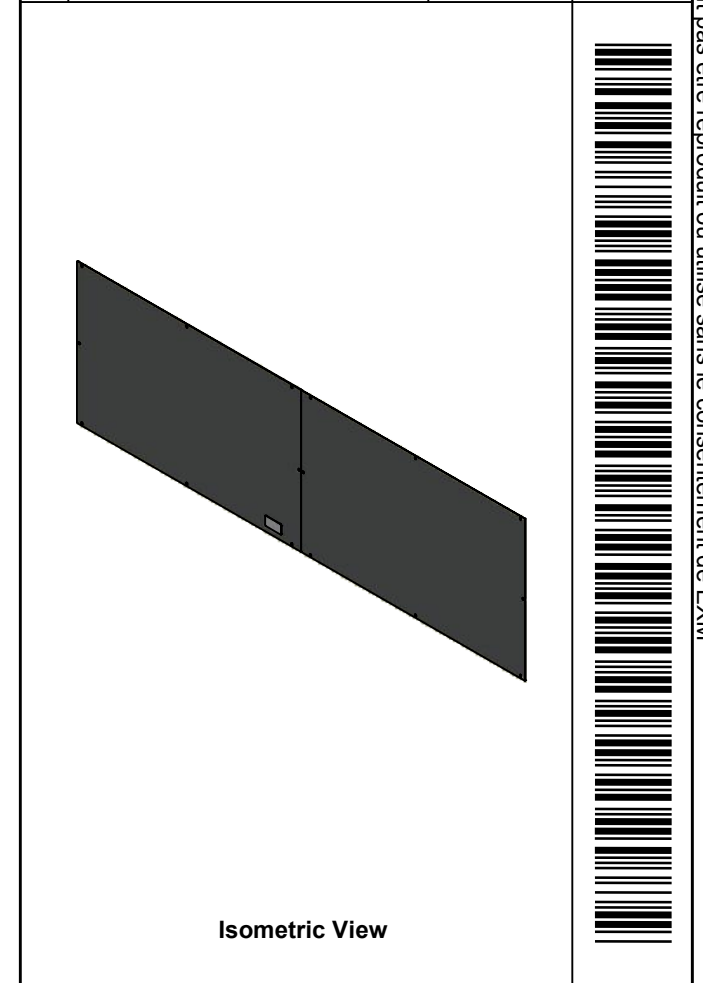
0.000 96.000


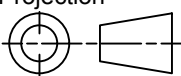
FRONT

30.000 0.000

RIGHT

| No. | Revisions | Date | By/Par |
|-----|-----------|------|--------|
| | | | |
| | | | |
| | | | |
| | | | |
| | | | |



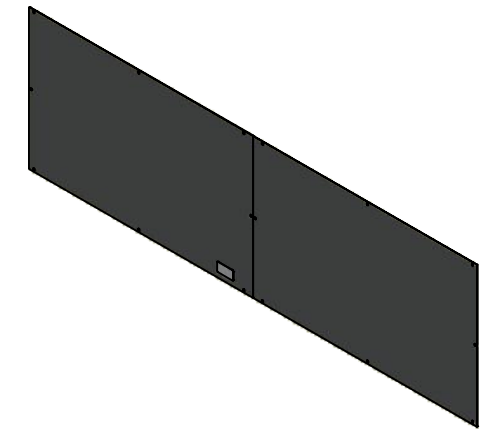
| | | |
|--|---|---|
|  Tél: (450) 979-4373 Fax: (450) 979-4626 www.exmweb.com | | Flatness Aplatissement Max 3.0mm Projection  |
| Customer Client | Date | |
| Drawn By Dessiné Par | BoxCad: BoxCad | Date 10-Aug-22 |
| Material Matière | 14 Ga Cold Rolled A1008 CS Type B (1.7mm) | |
| Color Couleur | Asa-61 Grey | Finish Fini Smooth |
| Description 1100BTCU 30" x 96" Cover | | Detail Rev. |
| Part Number Numéro Pièce | 1100BTCU082003C | Rev. 7 0 |

SEE BILL OF MATERIAL ON LAST PAGE

This drawing is confidential and must not be reproduced or used without the consent of EXM


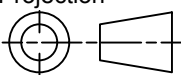
Ce dessin est confidentiel et ne doit pas être reproduit ou utilisé sans le consentement de EXM

| No. | Revisions | Date | By/Par |
|-----|-----------|------|--------|
| | | | |
| | | | |
| | | | |
| | | | |
| | | | |



Isometric View



| | | |
|--|-----------------------|---|
|  Tél: (450) 979-4373 Fax: (450) 979-4626 www.exmweb.com | | Flatness Aplatissement Max 3.0mm |
| Customer Client | | Projection  |
| Drawn By / Dessiné Par: BoxCad: BoxCad | | Date: 10-Aug-22 |
| Material / Matière: 14 Ga Cold Rolled A1008 CS Type B (1.7mm) | | |
| Color / Couleur: Asa-61 Grey | Finish / Fini: Smooth | |
| Description: 1100BTCU 30" x 96" Cover | | Detail Rev. |
| Part Number / Numéro Pièce: 1100BTCU082003C | | Rev. 8 0 |

| Qty | Part Name | Rev | Description |
|------------|-------------------|-----|--|
| 1 | STK-P-02400S | 0 | Powder Paint (Asa-61 Grey / Smooth) |
| 1 | 1100BTCU082003F-P | 0 | 1100BTCU 30" x 96" Flanged Cover Part |
| 1 | 1100BTCU082003C-P | 0 | 1100BTCU 30" x 96" Flat Cover Part |
| 1 | STK-S-00100 | 0 | 3.5" x 2" Silver Milar Flexcon Sticker |
| Parts List | | | |