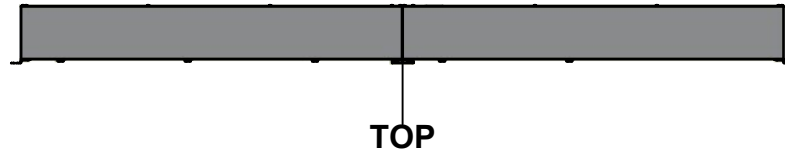
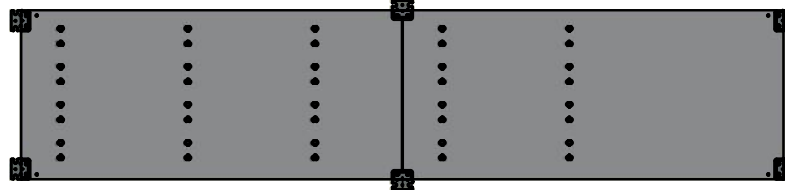


This drawing is confidential and must not be reproduced or used without the consent of EXM

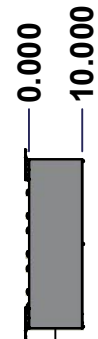
Ce dessin est confidentiel et ne doit pas être reproduit ou utilisé sans le consentement de EXM



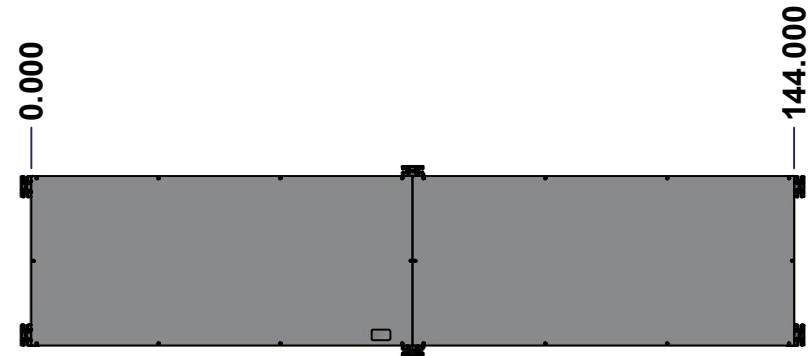
TOP



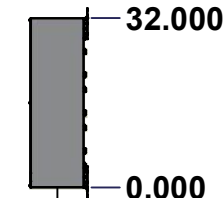
BACK



LEFT



FRONT

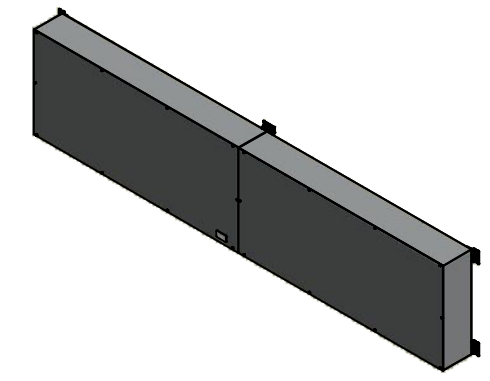


RIGHT



BOTTOM

| No. | Revisions | Date | By/Par |
|-----|-----------|------|--------|
|     |           |      |        |
|     |           |      |        |
|     |           |      |        |
|     |           |      |        |



Isometric View

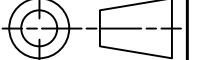


Tél: (450) 979-4373  
 Fax: (450) 979-4626  
[www.exmweb.com](http://www.exmweb.com)

Flatness  
Aplatissement

Max 3.0mm

Projection



|   |                       |
|---|-----------------------|
| Customer Client   | Date                  |
| Drawn By<br>Dessiné Par BoxCad: BoxCad                        | Date 8/10/2022        |
| Material<br>Matière 14 Ga Cold Rolled A1008 CS Type B (1.7mm) |                       |
| Color<br>Couleur Asa-61 Grey                                  | Finish<br>Fini Smooth |
| Description<br>1100BTCU 1600A - 4Wires x 144"<br>Assembly     | Detail Rev.           |
| Part Number<br>Numéro Pièce <b>1100BTCU121604</b>             | Rev. <b>0</b>         |

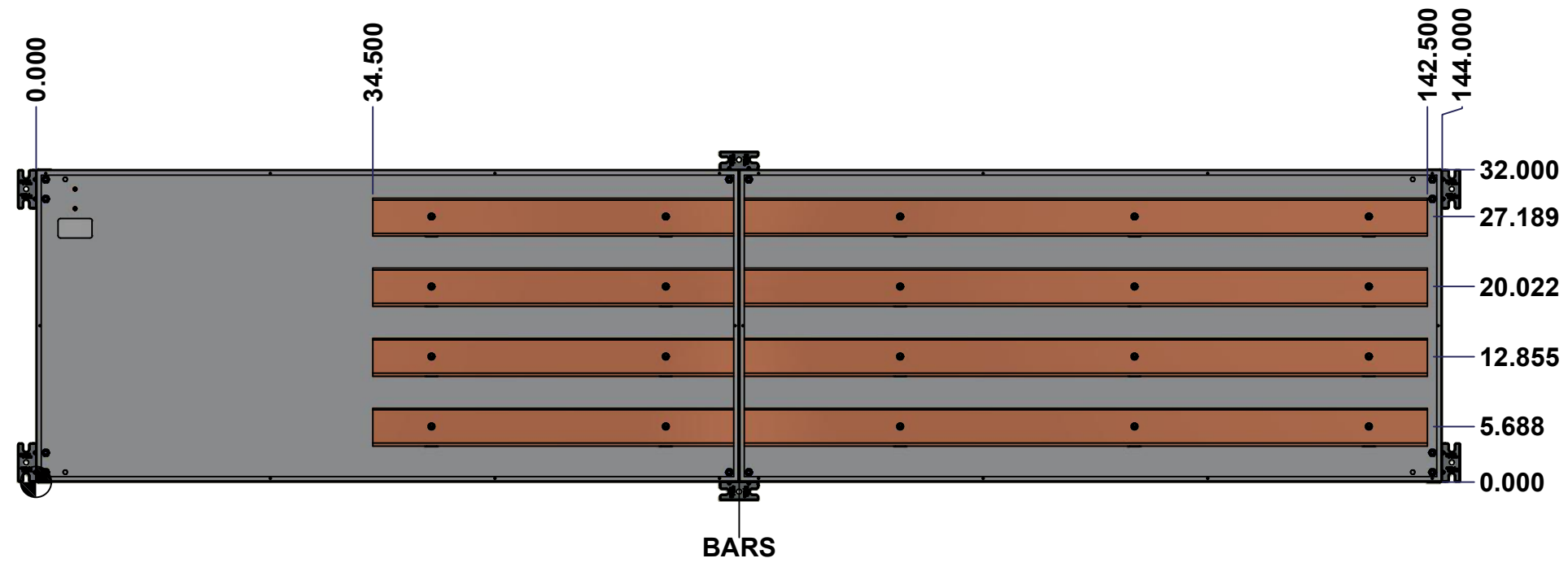
SEE BILL OF MATERIAL ON LAST PAGE

1  
8

This drawing is confidential and must not be reproduced or used without the consent of Eurobox

**STANDARD FEATURES ARE NOT LISTED IN THIS HOLE TABLE**

Ce dessin est confidentiel et ne doit pas être reproduit ou utilisé sans le consentement de Eurobox



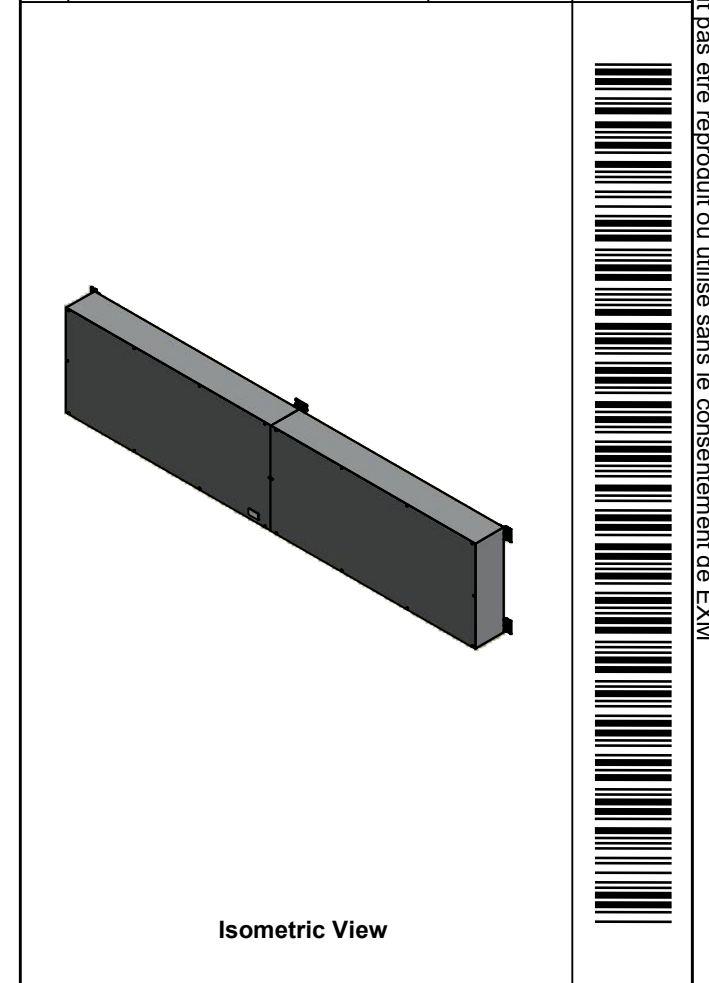
|  |   |  |                        |
|--|---|--|------------------------|
|  | Description<br>1100BTCU 1600A - 4Wires x 144"<br>Assembly |  | Status<br>(NULL)       |
|  | Part Number<br>Numéro Pièce<br><b>1100BTCU121604</b>      |  | Rev. 2<br><b>0</b> / 8 |

This drawing is confidential and must not be reproduced or used without the consent of EXM

Ce dessin est confidentiel et ne doit pas être reproduit ou utilisé sans le consentement de EXM

| NOTE |  |
|------|--|
| ITEM | DESCRIPTION                                |
| 1    | NEMA 1 Enclosure                           |
| 2    | C/W Standard ground studs on box and cover |
| 3    | W/O Standard door stiffener                |
| 4    | W/O Inner panel                            |
| 5    | W/O Inner panel mounting studs             |

| No. | Revisions | Date | By/Par |
|-----|-----------|------|--------|
|     |           |      |        |
|     |           |      |        |
|     |           |      |        |
|     |           |      |        |
|     |           |      |        |



**EXM**  
www.exmweb.com

Tél: (450) 979-4373  
Fax: (450) 979-4626

Flatness  
Aplatissement  
Max 3.0mm

Projection

| PACKING               |     |  |
|-----------------------|-----|--|
| ITEM                  | QTY | DESCRIPTION                                    |
| Cardboard sleeve      | 2   | Top and Bottom                                 |
| Cardboard strip       | 2   | Between back of enclosure and inner panel      |
| Plastic bag           | 1   | To protect cover surface and inside gasket     |
| Cardboard corner      | 4   | To reinforced for the plastic strap tightening |
| Plastic strap - Black | 2   | To Squeeze 2 cardboard sleeve together         |
| Packaging label       | 3   | White label with PN                            |
| Plastic strap- Green  | 2   | To secure the enclosure to the wood pallet     |
| Wood Pallet           | 1   | 2" deeper and 3" larger than enclosure size    |

|            |                      |     |                                     |
|------------|----------------------|-----|-------------------------------------|
| 1          | 1100BTCU121604BAR4-P | 0   | Rounded Edge Copper Bar 1/2" x 4"   |
| 1          | 1100BTCU121604BAR3-P | 0   | Rounded Edge Copper Bar 1/2" x 4"   |
| 1          | 1100BTCU121604BAR2-P | 0   | Rounded Edge Copper Bar 1/2" x 4"   |
| 1          | 1100BTCU121604BAR1-P | 0   | Rounded Edge Copper Bar 1/2" x 4"   |
| 20         | STK-Q-07310          | 2   | Flange Lock Nut M8                  |
| 20         | STK-A-67400          | 0   | Buss Bar Insulator Kit              |
| 10         | STK-Q-03210          | 0   | Thread Cutting Screw 1/4-20 x 5/16" |
| 20         | STK-Q-05020          | 5   | M5 x 8mm Thread Rolling Screw       |
| 1          | 1100BTCU121604C      | 0   | 1100BTCU 32" x 144" Cover           |
| 1          | 1100BTCU121604B      | 0   | 1100BTCU 32" x 144" x 10" Body      |
| 3          | 885 BTMF             | 0   | 885 BTMF Mounting Feet Kit          |
| Qty        | Part Number          | Rev | Description                         |
| Parts List |                      |     |                                     |

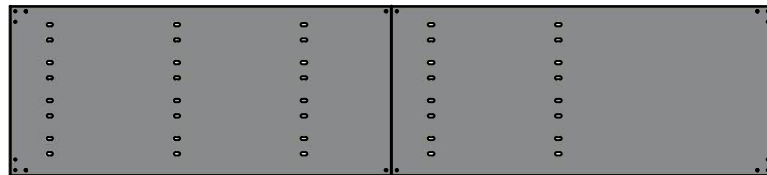
|  |   |
|--|---|
| Customer Client                            | Date                                      |
| Drawn By<br>Dessiné Par                    | BoxCad: BoxCad<br>Date 8/10/2022          |
| Material<br>Matière                        | 14 Ga Cold Rolled A1008 CS Type B (1.7mm) |
| Color<br>Couleur                           | Asa-61 Grey<br>Finish<br>Fini Smooth      |
| Description                                | Detail Rev.                               |
| 1100BTCU 1600A - 4Wires x 144"<br>Assembly |   |
| Part Number<br>Numéro Pièce                | Rev. 3                                    |
| <b>1100BTCU121604</b>                      | <b>0</b> 8                                |

This drawing is confidential and must not be reproduced or used without the consent of EXM

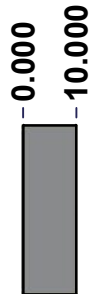
Ce dessin est confidentiel et ne doit pas être reproduit ou utilisé sans le consentement de EXM



TOP



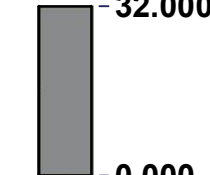
BACK



LEFT



FRONT

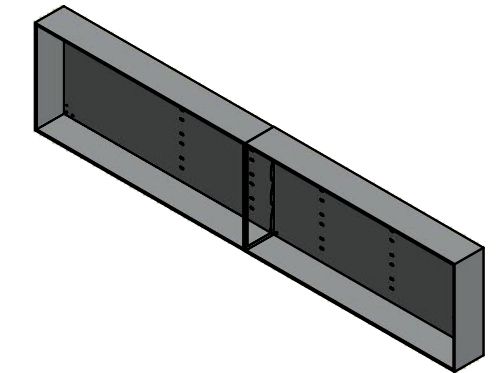


RIGHT




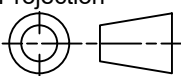
BOTTOM

| No. | Revisions | Date | By/Par |
|-----|-----------|------|--------|
|     |           |      |        |
|     |           |      |        |
|     |           |      |        |
|     |           |      |        |
|     |           |      |        |



Isometric View



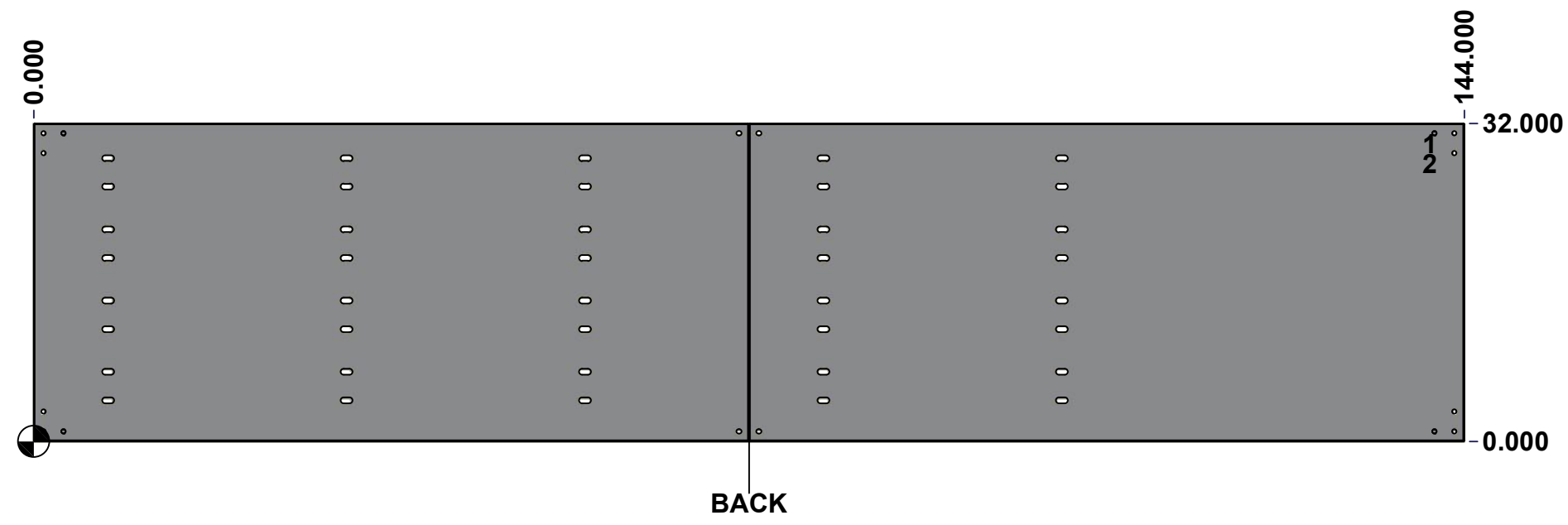
|  |   |
|--|---|
|  Tél: (450) 979-4373<br>Fax: (450) 979-4626<br><a href="http://www.exmweb.com">www.exmweb.com</a> | Flatness<br>Aplatissement<br>Max 3.0mm  |
|  | Projection<br> |
| Customer Client  | Date  |
| Drawn By<br>Dessiné Par BoxCad: BoxCad   | Date 8/10/2022  |
| Material<br>Matière 14 Ga Cold Rolled A1008 CS Type B (1.7mm)  |   |
| Color<br>Couleur Asa-61 Grey   | Finish<br>Fini Smooth   |
| Description<br>1100BTCU 32" x 144" x 10" Body  | Detail Rev.   |
| Part Number<br>Numéro Pièce <b>1100BTCU121604B</b>   | Rev. 4<br><b>0</b>  |

SEE BILL OF MATERIAL ON LAST PAGE

This drawing is confidential and must not be reproduced or used without the consent of Eurobox

Ce dessin est confidentiel et ne doit pas être reproduit ou utilisé sans le consentement de Eurobox

| <b>STANDARD FEATURES ARE NOT LISTED IN THIS HOLE TABLE</b> |         |        |                             |
|--|---------|--------|-----------------------------|
| <b>HOLE TABLE - BACK VIEW (CUSTOM FEATURE ONLY)</b>        |         |        |                             |
| CUT-OUT  | XDIM    | YDIM   | DESCRIPTION                 |
| 1  | 140.000 | 30.000 | GND STUD M8 x 35mm (Inside) |
| 2  | 140.000 | 28.000 | GND STUD M8 x 35mm (Inside) |

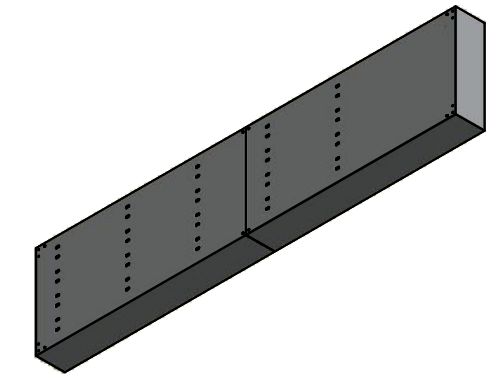


|  |                                |          |   |
|--|--------------------------------|----------|---|
|  | Description                    | Status   |   |
|  | 1100BTCU 32" x 144" x 10" Body | (NULL)   |   |
|  | Part Number<br>Numéro Pièce    | Rev.     | 5 |
|  | <b>1100BTCU121604B</b>         | <b>0</b> | 8 |

This drawing is confidential and must not be reproduced or used without the consent of EXM


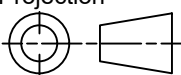
Ce dessin est confidentiel et ne doit pas être reproduit ou utilisé sans le consentement de EXM

| No. | Revisions | Date | By/Par |
|-----|-----------|------|--------|
|     |           |      |        |
|     |           |      |        |
|     |           |      |        |
|     |           |      |        |
|     |           |      |        |



Isometric View



|  |                       |   |
|--|-----------------------|---|
|  Tél: (450) 979-4373<br>Fax: (450) 979-4626<br><a href="http://www.exmweb.com">www.exmweb.com</a> |                       | Flatness<br>Aplatissement<br>Max 3.0mm<br>Projection<br> |
| Customer Client  | Date                  |   |
| Drawn By / Dessiné Par: BoxCad: BoxCad   | Date: 8/10/2022       |   |
| Material / Matière: 14 Ga Cold Rolled A1008 CS Type B (1.7mm)  |                       |   |
| Color / Couleur: Asa-61 Grey   | Finish / Fini: Smooth |   |
| Description: 1100BTCU 32" x 144" x 10" Body  |                       | Detail Rev.   |
| Part Number / Numéro Pièce: <b>1100BTCU121604B</b>   |                       | Rev. 6/8  |

| Qty        | Part Number       | Rev | Description                            |
|------------|-------------------|-----|--|
| 1          | STK-P-02400S      | 0   | Powder Paint (Asa-61 Grey / Smooth)    |
| 1          | 1100BTCU121604B-P | 0   | 1100BTCU 32" x 144" x 10" Body Part    |
| 1          | STK-S-00100       | 0   | 3.5" x 2" Silver Milar Flexcon Sticker |
| 2          | STK-Q-16005       | 1   | Stud M8 x 35 (No Paint Cap Required)   |
| 1          | 1100BTCU121604E-P | 0   | 1100BTCU 32" x 144" x 10" Body Part    |
| Parts List |                   |     |  |

This drawing is confidential and must not be reproduced or used without the consent of EXM

Ce dessin est confidentiel et ne doit pas être reproduit ou utilisé sans le consentement de EXM

TOP

BACK

BOTTOM

LEFT

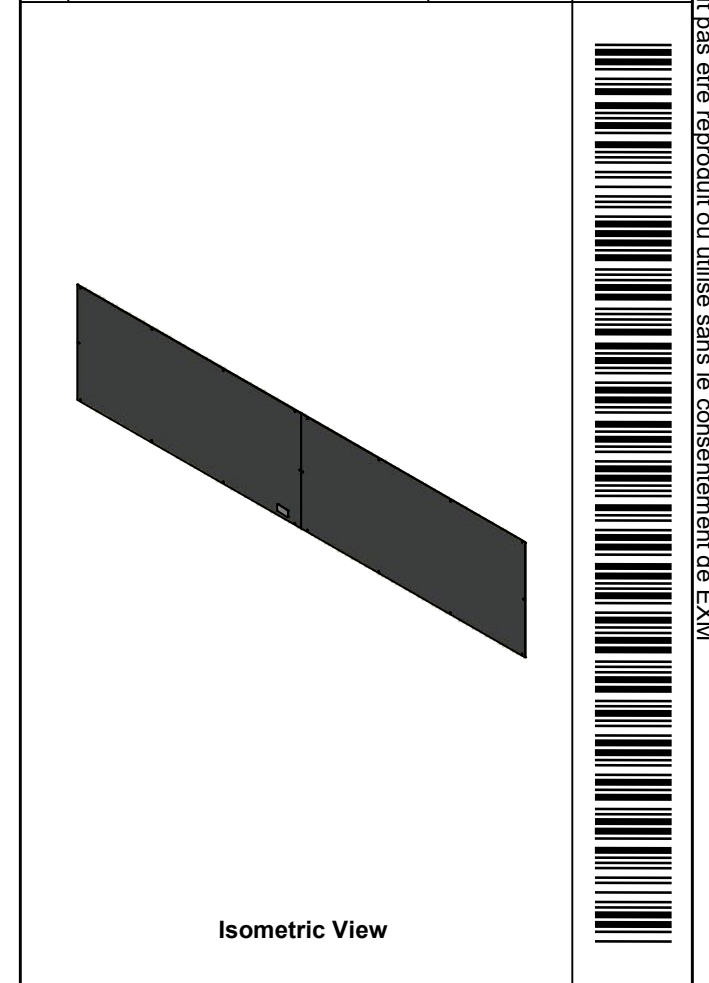
0.000 144.000


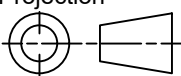
FRONT

32.000 0.000

RIGHT

| No. | Revisions | Date | By/Par |
|-----|-----------|------|--------|
|     |           |      |        |
|     |           |      |        |
|     |           |      |        |
|     |           |      |        |
|     |           |      |        |



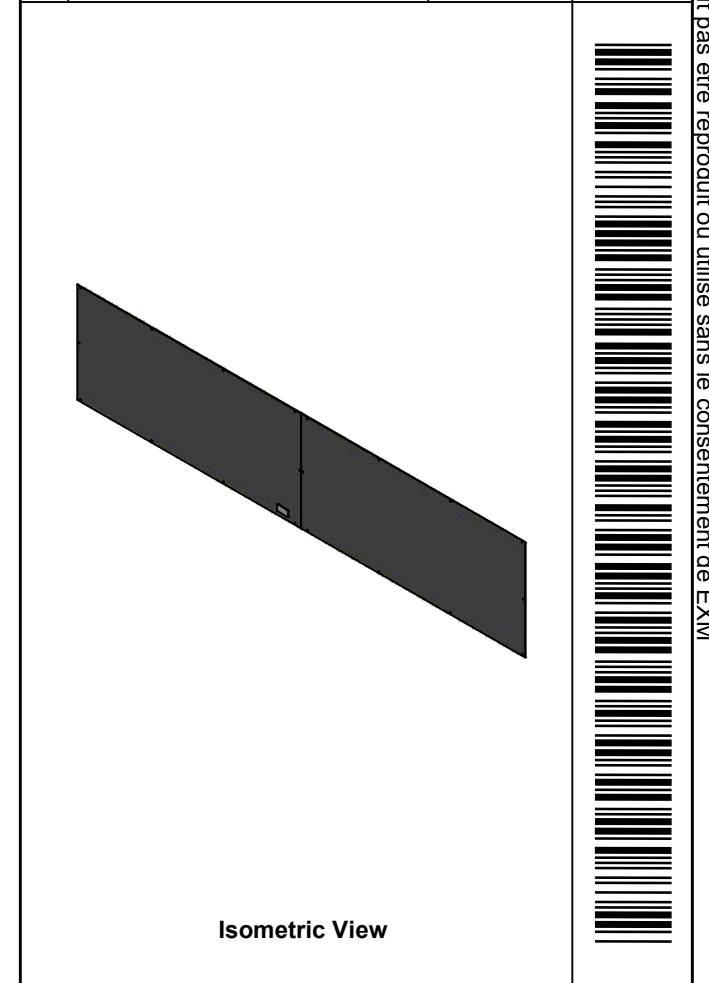
|  |   |   |
|--|---|---|
|  Tél: (450) 979-4373<br>Fax: (450) 979-4626<br><a href="http://www.exmweb.com">www.exmweb.com</a> |   | Flatness<br>Aplatissement<br>Max 3.0mm<br>Projection<br> |
| Customer Client  | Date                                      |   |
| Drawn By<br>Dessiné Par  | BoxCad: BoxCad                            | Date 8/10/2022  |
| Material<br>Matière  | 14 Ga Cold Rolled A1008 CS Type B (1.7mm) |   |
| Color<br>Couleur   | Asa-61 Grey                               | Finish<br>Fini Smooth   |
| Description<br>1100BTCU 32" x 144" Cover   |   | Detail Rev.   |
| Part Number<br>Numéro Pièce  | 1100BTCU121604C                           | Rev. 7<br>0   |


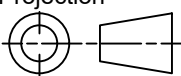
SEE BILL OF MATERIAL ON LAST PAGE

This drawing is confidential and must not be reproduced or used without the consent of EXM

Ce dessin est confidentiel et ne doit pas être reproduit ou utilisé sans le consentement de EXM

| No. | Revisions | Date | By/Par |
|-----|-----------|------|--------|
|     |           |      |        |
|     |           |      |        |
|     |           |      |        |
|     |           |      |        |
|     |           |      |        |



|  |   |   |
|--|---|---|
|  Tél: (450) 979-4373<br>Fax: (450) 979-4626<br><a href="http://www.exmweb.com">www.exmweb.com</a> |   | Flatness<br>Aplatissement<br>Max 3.0mm<br>Projection<br> |
| Customer Client  | Date                                      |   |
| Drawn By<br>Dessiné Par  | BoxCad: BoxCad                            | Date 8/10/2022  |
| Material<br>Matière  | 14 Ga Cold Rolled A1008 CS Type B (1.7mm) |   |
| Color<br>Couleur   | Asa-61 Grey                               | Finish<br>Fini Smooth   |
| Description  |   | Detail Rev.   |
| 1100BTCU 32" x 144" Cover  |   |   |
| Part Number<br>Numéro Pièce  | Rev.                                      | 8   |
| <b>1100BTCU121604C</b>   | <b>0</b>                                  | 8   |

| Qty        | Part Name         | Rev | Description                            |
|------------|-------------------|-----|--|
| 1          | STK-P-02400S      | 0   | Powder Paint (Asa-61 Grey / Smooth)    |
| 1          | 1100BTCU121604F-P | 0   | 1100BTCU 32" x 144" Flanged Cover Part |
| 1          | 1100BTCU121604C-P | 0   | 1100BTCU 32" x 144" Flat Cover Part    |
| 1          | STK-S-00100       | 0   | 3.5" x 2" Silver Milar Flexcon Sticker |
| Parts List |                   |     |  |