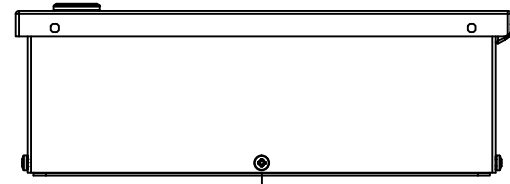
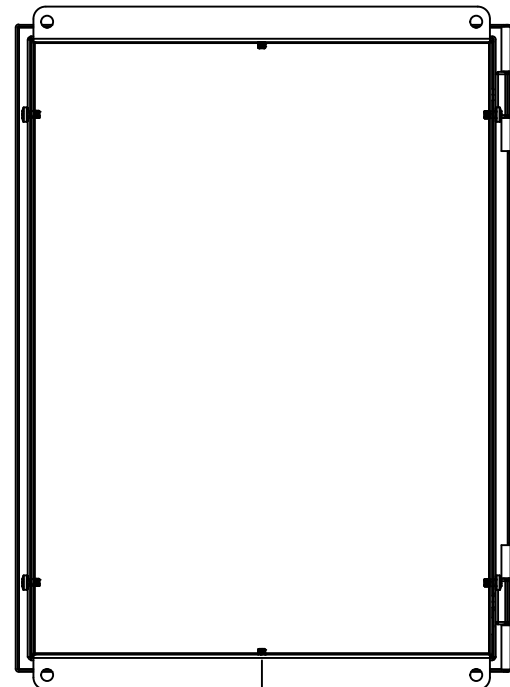


This drawing is confidential and must not be reproduced or used without the consent of EXM

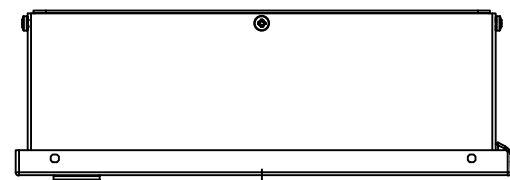
Ce dessin est confidentiel et ne doit pas être reproduit ou utilisé sans le consentement de EXM



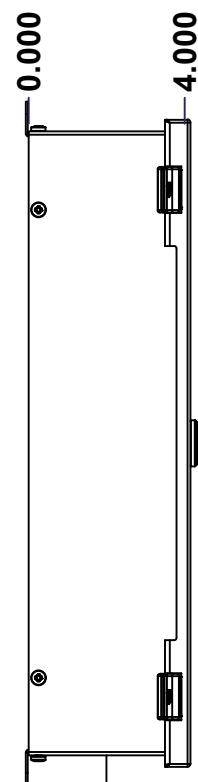
TOP



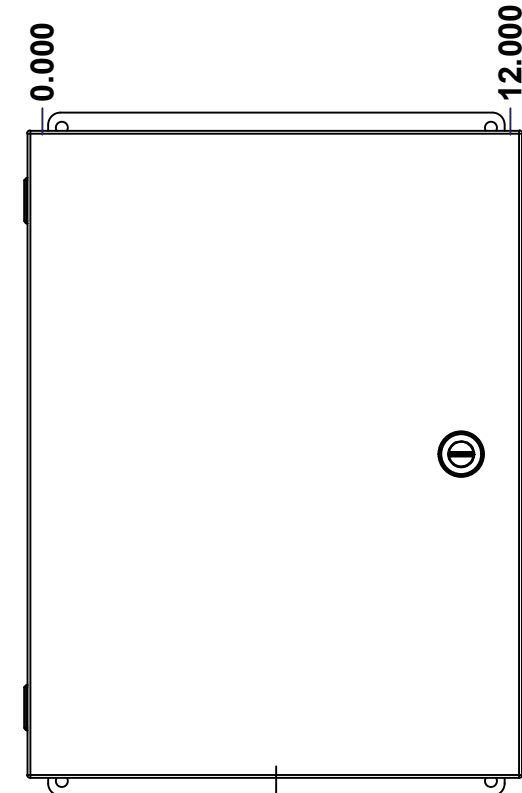
BACK



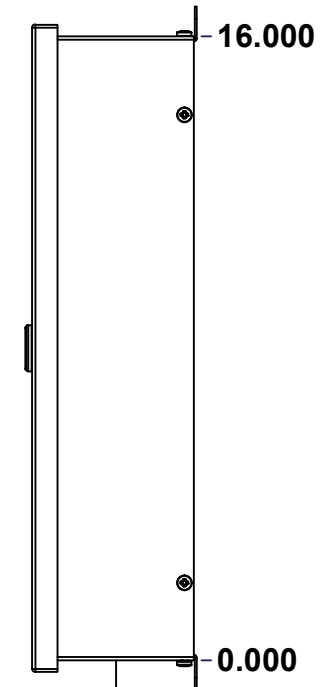
BOTTOM



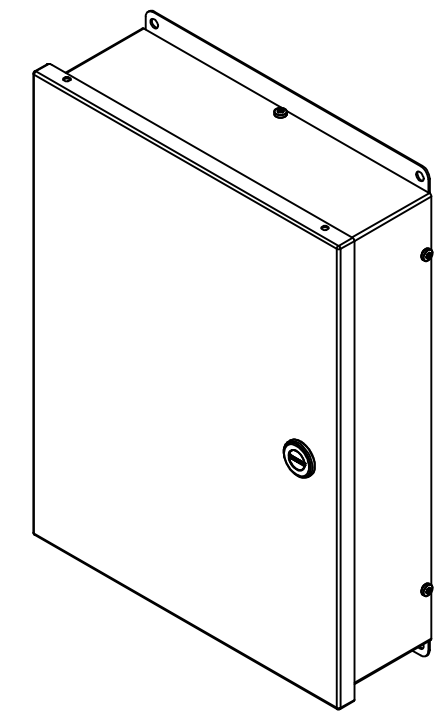
LEFT



FRONT




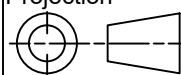
RIGHT



Isometric View



| No. | Revisions | Date | By/Par |
|-----|-----------|------|--------|
| | | | |
| | | | |
| | | | |
| | | | |

| | | |
|--|---|---|
|  Tél: (450) 979-4373 Fax: (450) 979-4626 www.exmweb.com | | Flatness Aplatissement Max 3.0mm Projection  |
| Customer Client | Date | |
| Drawn By Dessiné Par | BoxCad: BoxCad | Date 27-Jun-17 |
| Material Matière | 16 Ga Cold Rolled A1008 CS Type B (1.4mm) | |
| Color Couleur | Asa-61 Grey | Finish Fini Smooth |
| Description 1100CM 16" x 12" x 4" Assembly | | Detail Rev. |
| Part Number Numéro Pièce | 1100CM161204 | Rev. 1 0 |

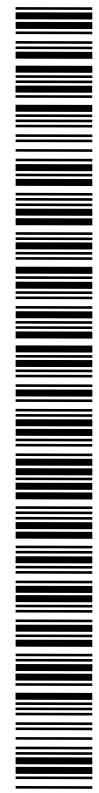
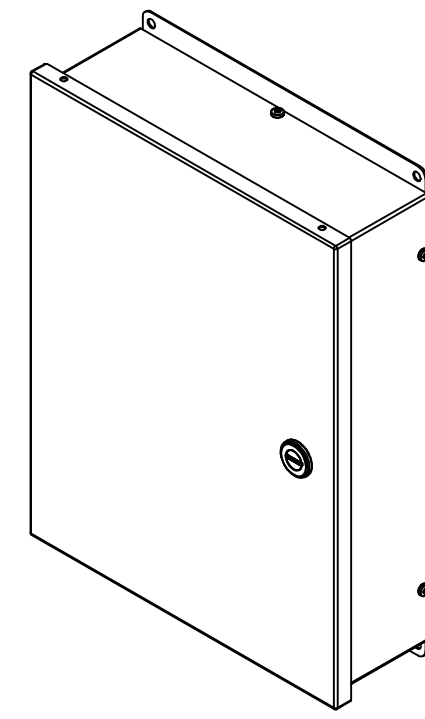
SEE BILL OF MATERIAL ON LAST PAGE

This drawing is confidential and must not be reproduced or used without the consent of EXM

Ce dessin est confidentiel et ne doit pas être reproduit ou utilisé sans le consentement de EXM

| NOTE | |
|------|--|
| ITEM | DESCRIPTION |
| 1 | NEMA 1 Enclosure |
| 2 | C/W Standard ground standoffs on box and cover |
| 3 | W/O Standard door stiffener |
| 4 | W/O Inner panel |
| 5 | W/O Inner panel mounting standoffs |

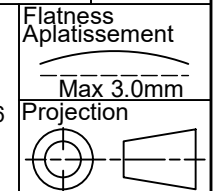
| No. | Revisions | Date | By/Par |
|-----|-----------|------|--------|
| | | | |
| | | | |
| | | | |
| | | | |
| | | | |
| | | | |



Isometric View



Tél: (450) 979-4373
 Fax: (450) 979-4626
www.exmweb.com



| | |
|---|-----------------|
| Customer Client | Date |
| Drawn By / Dessiné Par: BoxCad: BoxCad | Date: 27-Jun-17 |
| Material / Matière: 16 Ga Cold Rolled A1008 CS Type B (1.4mm) | |

| | |
|---|-----------------------|
| Color / Couleur: Asa-61 Grey | Finish / Fini: Smooth |
| Description: 1100CM 16" x 12" x 4" Assembly | Detail Rev. |
| Part Number / Numéro Pièce: 1100CM161204 | Rev. 0 |

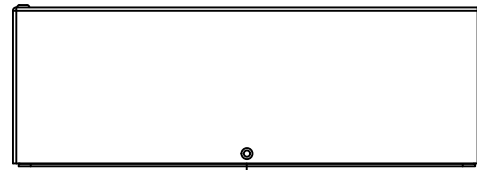
| PACKING | | |
|-----------------------|-----|--|
| ITEM | QTY | DESCRIPTION |
| Cardboard sleeve | 2 | Top and Bottom |
| Cardboard strip | 2 | Between back of enclosure and inner panel |
| Plastic bag | 1 | To protect cover surface and inside gasket |
| Plastic strap - Black | 2 | To Squeeze the 2 cardboard sleeve together |
| Packaging label | 1 | White label with product number |

| Qty | Part Number | Rev | Description |
|-----|---------------|-----|----------------------------|
| 1 | STK-K-01830 | 1 | 1100CM Accessory Kit |
| 1 | 1100CM161204C | 0 | 1100CM 16" x 12" Cover |
| 1 | 1100CM161204B | 0 | 1100CM 16" x 12" x 4" Body |
| 2 | STK-Q-08100 | 1 | M5 Nylon Insert Lock Nut |

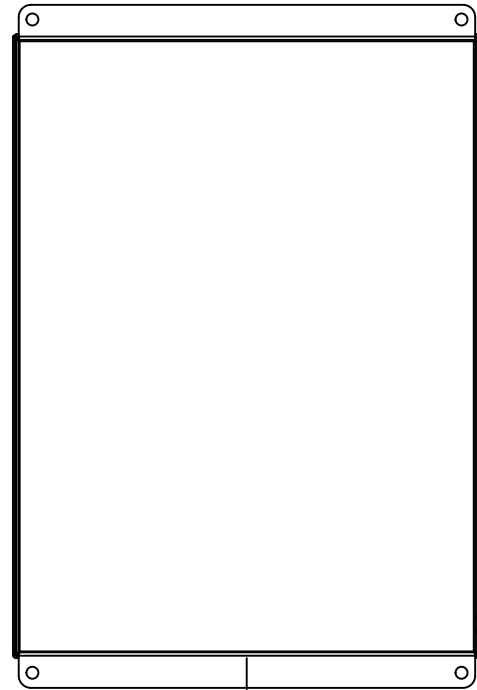
Parts List

This drawing is confidential and must not be reproduced or used without the consent of EXM

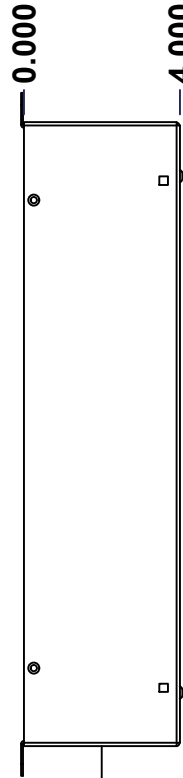
Ce dessin est confidentiel et ne doit pas être reproduit ou utilisé sans le consentement de EXM



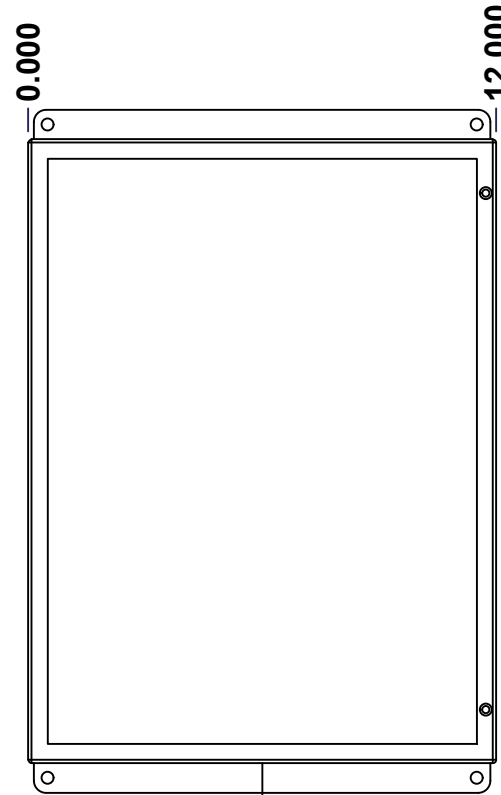
TOP



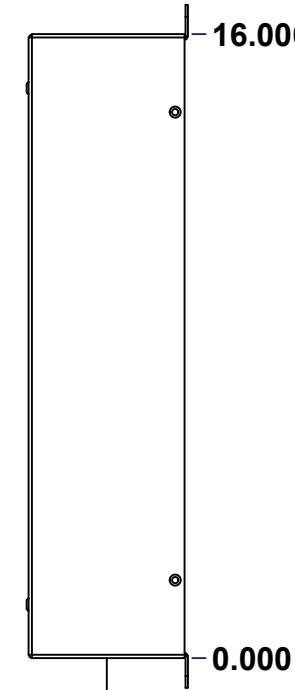
BACK



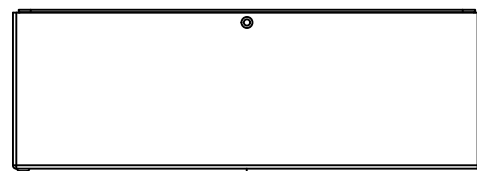
LEFT



FRONT

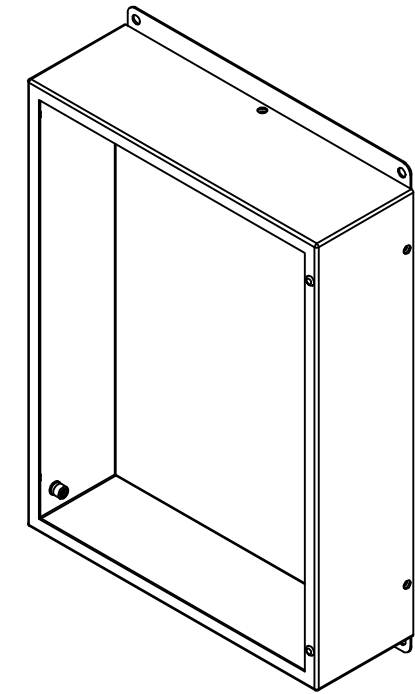


RIGHT



BOTTOM

| No. | Revisions | Date | By/Par |
|-----|-----------|------|--------|
| | | | |
| | | | |
| | | | |
| | | | |



Isometric View

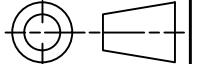


Tél: (450) 979-4373
 Fax: (450) 979-4626
www.exmweb.com

Flatness
Aplatissement

Max 3.0mm

Projection



| | |
|---|-----------------|
| Customer Client | Date |
| Drawn By / Dessiné Par: BoxCad: BoxCad | Date: 27-Jun-17 |
| Material / Matière: 16 Ga Cold Rolled A1008 CS Type B (1.4mm) | |

| | |
|------------------------------|-----------------------|
| Color / Couleur: Asa-61 Grey | Finish / Fini: Smooth |
|------------------------------|-----------------------|

| | |
|---|-------------|
| Description: 1100CM 16" x 12" x 4" Body | Detail Rev. |
|---|-------------|

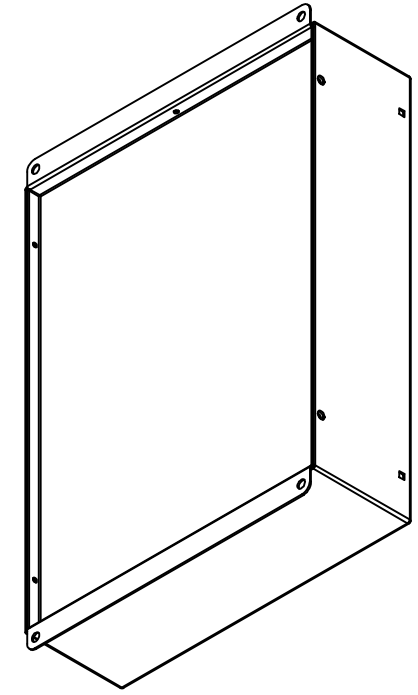
| | | |
|---|--------|-------|
| Part Number / Numéro Pièce: 1100CM161204B | Rev. 0 | 3 / 7 |
|---|--------|-------|

SEE BILL OF MATERIAL ON LAST PAGE

This drawing is confidential and must not be reproduced or used without the consent of EXM


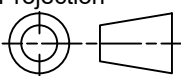
Ce dessin est confidentiel et ne doit pas être reproduit ou utilisé sans le consentement de EXM

| No. | Revisions | Date | By/Par |
|-----|-----------|------|--------|
| | | | |
| | | | |
| | | | |
| | | | |
| | | | |



Isometric View

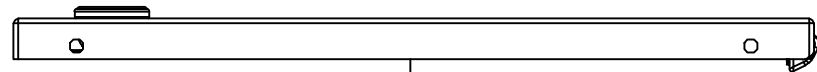


| | | |
|--|-----------------------|---|
|  Tél: (450) 979-4373 Fax: (450) 979-4626 www.exmweb.com | | Flatness Aplatissement Max 3.0mm Projection  |
| Customer Client | Date | |
| Drawn By / Dessiné Par: BoxCad: BoxCad | Date: 27-Jun-17 | |
| Material / Matière: 16 Ga Cold Rolled A1008 CS Type B (1.4mm) | | |
| Color / Couleur: Asa-61 Grey | Finish / Fini: Smooth | |
| Description: 1100CM 16" x 12" x 4" Body | | Detail Rev. |
| Part Number / Numéro Pièce: 1100CM161204B | Rev.: | 4 / 7 |

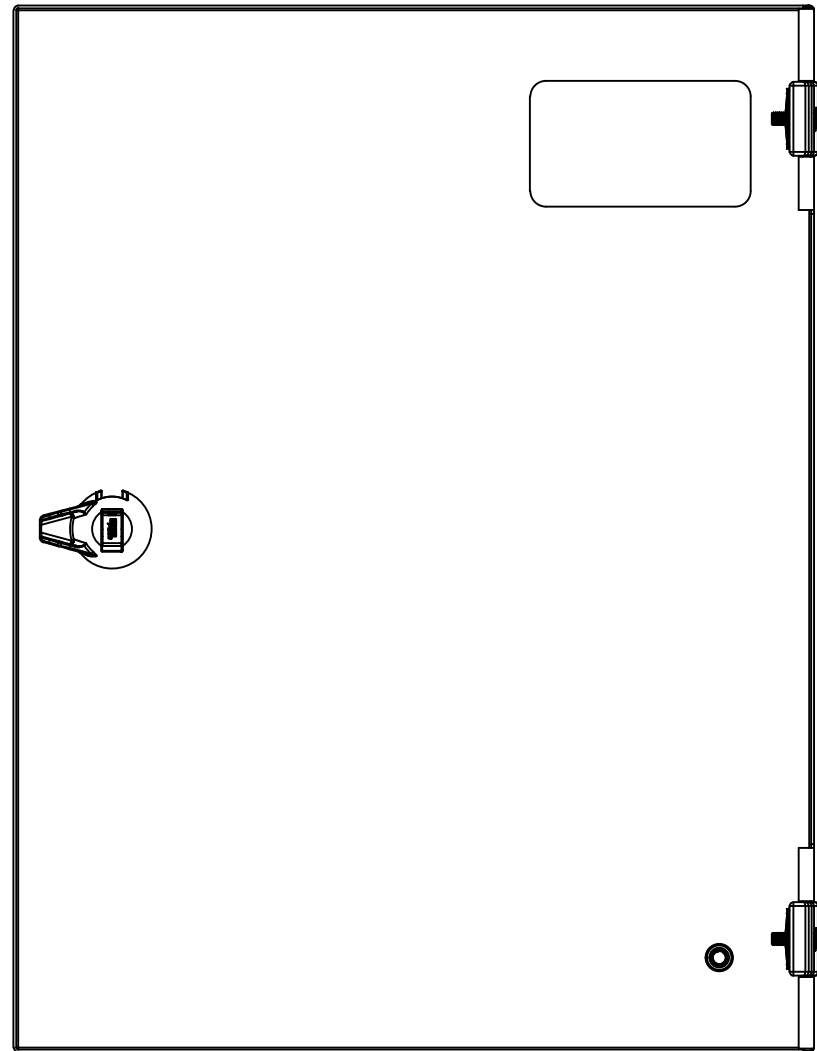
| Qty | Part Number | Rev | Description |
|------------|--------------------|-----|-------------------------------------|
| 1 | STK-P-02400S | 0 | Powder Paint (Asa-61 Grey / Smooth) |
| 1 | 1100CM161204B-P | 0 | 1100CM 16" x 12" x 4" Body Part |
| 1 | STK-Q-08350 | 5 | Standoff M6 x 10mm |
| 2 | STK-Q-77110 | 1 | 5412 ES Cover Plastic Plug |
| 1 | 1100CM161204BACK-P | 0 | 1100CM 16" x 12" x 4" BACK Part |
| Parts List | | | |

This drawing is confidential and must not be reproduced or used without the consent of EXM

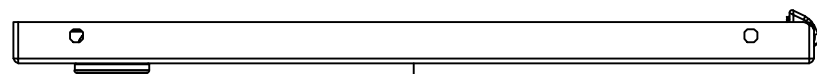
Ce dessin est confidentiel et ne doit pas être reproduit ou utilisé sans le consentement de EXM



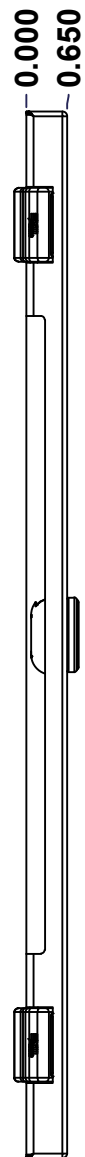
TOP



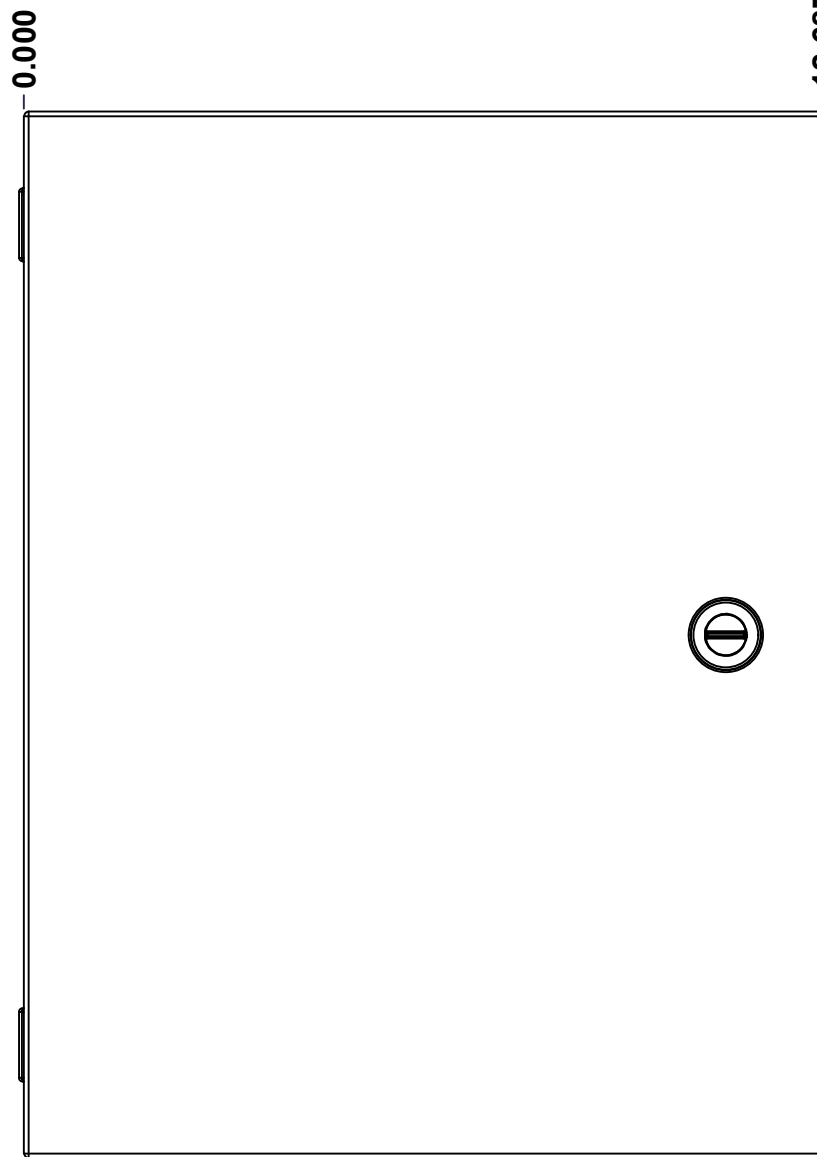
BACK



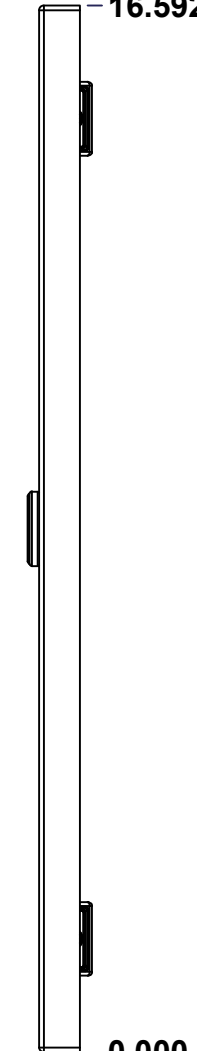
BOTTOM



LEFT

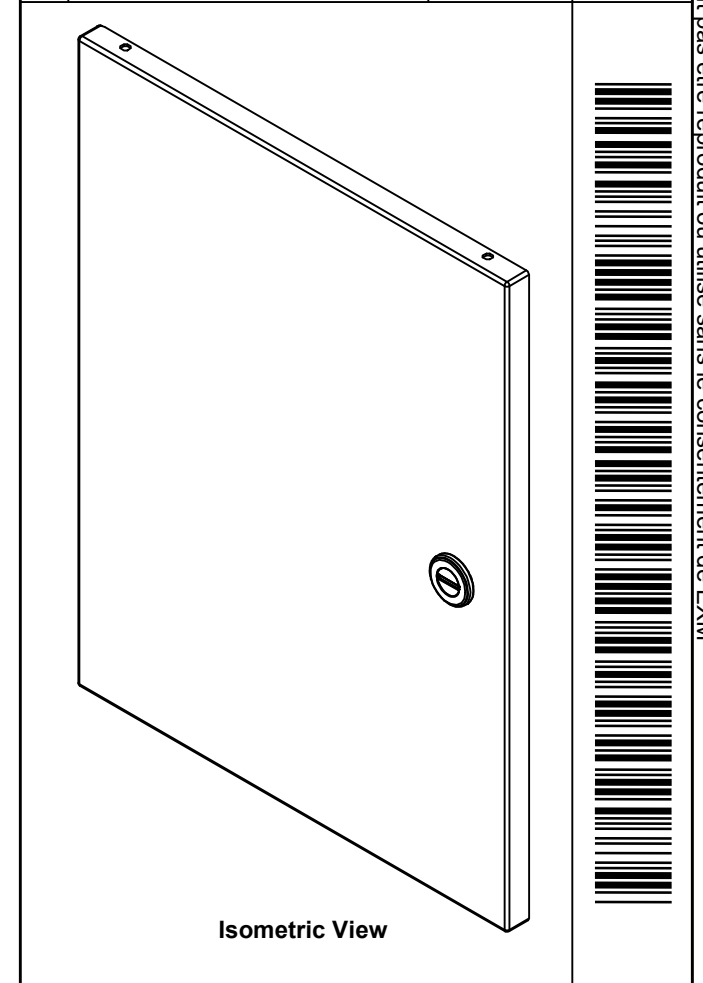


FRONT


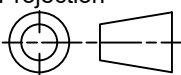


RIGHT

| No. | Revisions | Date | By/Par |
|-----|-----------|------|--------|
| | | | |
| | | | |
| | | | |
| | | | |



Isometric View

| | | | |
|--|---|---------------------------|-------------|
|  Tél: (450) 979-4373 Fax: (450) 979-4626 www.exmweb.com | | Flatness Aplatissement | |
| | | Max 3.0mm | |
| Projection  | | Date | |
| Customer Client | BoxCad: BoxCad | Date | 27-Jun-17 |
| Material Matière | 16 Ga Cold Rolled A1008 CS Type B (1.4mm) | | |
| Color Couleur | Asa-61 Grey | Finish Fini | Smooth |
| Description | 1100CM 16" x 12" Cover | | Detail Rev. |
| Part Number Numéro Pièce | 1100CM161204C | Rev. | 5 0 |

SEE BILL OF MATERIAL ON LAST PAGE

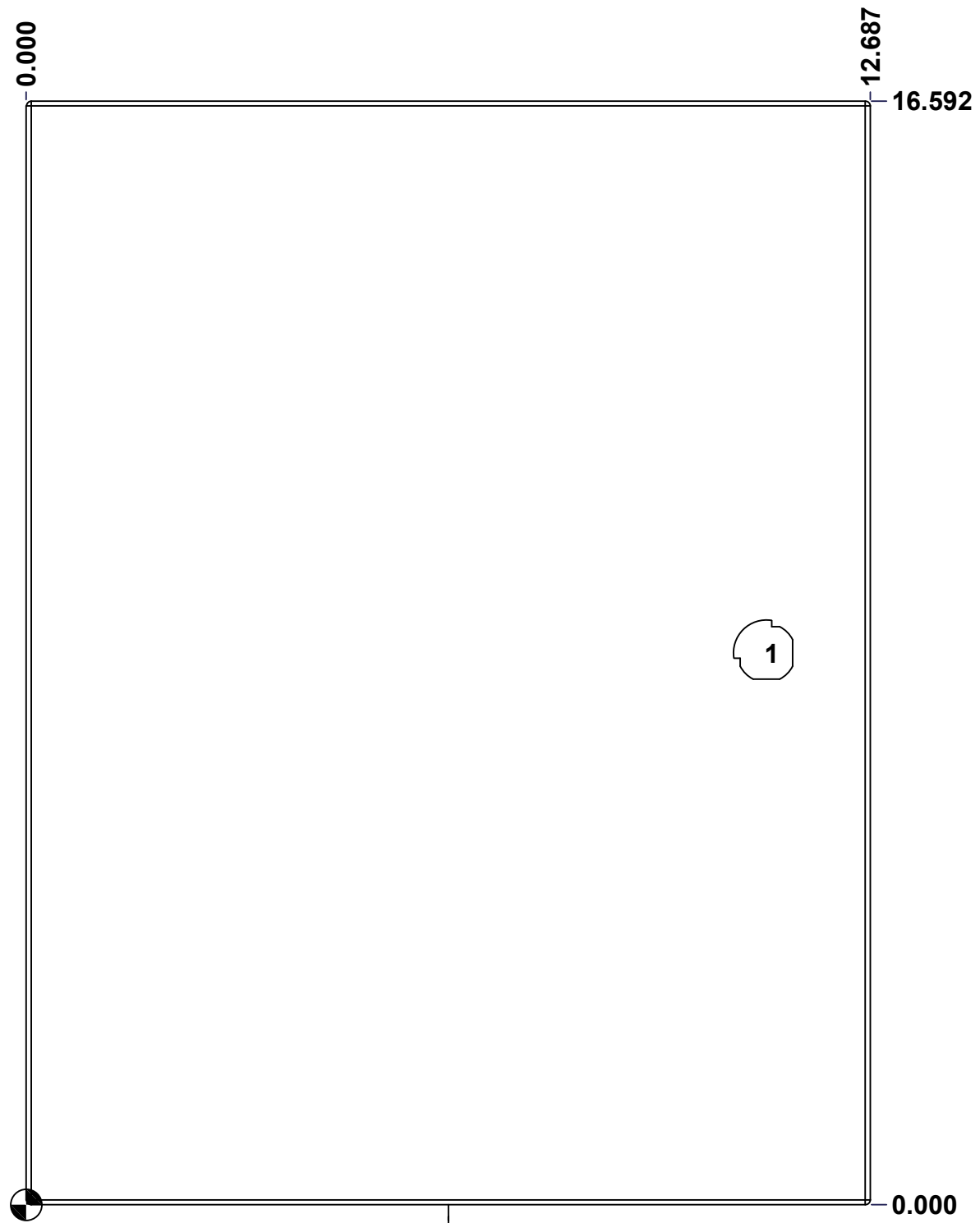
This drawing is confidential and must not be reproduced or used without the consent of EXM

Ce dessin est confidentiel et ne doit pas être reproduit ou utilisé sans le consentement de EXM

STANDARD FEATURES ARE NOT LISTED IN THIS HOLE TABLE

HOLE TABLE - FRONT VIEW (CUSTOM FEATURE ONLY)

| CUT-OUT | XDIM | YDIM | DESCRIPTION |
|---------|--------|-------|--------------------------|
| 1 | 11.125 | 8.296 | LOCK 880 SCQ1-SLZ @ 0.0° |



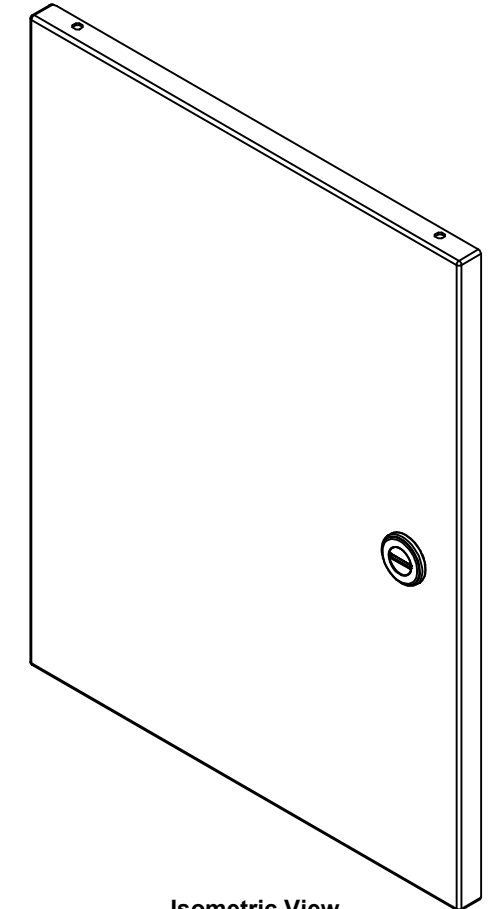
FRONT

| | | | |
|--|-----------------------------|----------|--------|
| | Description | Status | |
| | 1100CM 16" x 12" x 4" Cover | (NULL) | |
| | Part Number Numéro Pièce | Rev. | |
| | 1100CM161204C | 0 | 6 7 |

This drawing is confidential and must not be reproduced or used without the consent of EXM



Ce dessin est confidentiel et ne doit pas être reproduit ou utilisé sans le consentement de EXM

| No. | Revisions | Date | By/Par |
|-----|-----------|------|--------|
| | | | |
| | | | |
| | | | |
| | | | |
| | | | |



Isometric View



| | | |
|--|-----------------------|---|
|  Tél: (450) 979-4373 Fax: (450) 979-4626 www.exmweb.com | | Flatness Aplatissement  Max 3.0mm |
| Customer Client | | Date |
| Drawn By / Dessiné Par: BoxCad: BoxCad | | Date: 27-Jun-17 |
| Material / Matière: 16 Ga Cold Rolled A1008 CS Type B (1.4mm) | | |
| Color / Couleur: Asa-61 Grey | Finish / Fini: Smooth | |
| Description: 1100CM 16" x 12" Cover | | Detail Rev. |
| Part Number / Numéro Pièce: 1100CM161204C | | Rev. 7 0 / 7 |

| Qty | Part Number | Rev | Description |
|------------|-----------------|-----|--|
| 1 | STK-K-78645 | 0 | 1/4 Turn Lock Casting Cam Kit |
| 1 | STK-Q-08350 | 5 | Standoff M6 x 10mm |
| 1 | STK-S-00100 | 0 | 3.5" x 2" Silver Milar Flexcon Sticker |
| 1 | STK-P-02400S | 0 | Powder Paint (Asa-61 Grey / Smooth) |
| 1 | 1100CM161204C-P | 0 | 1100CM 16" x 12" x 4" Cover Part |
| 2 | STK-A-33033 | 4 | 5412 ESMCH Hinge |
| Parts List | | | |