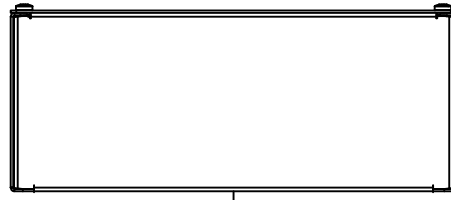
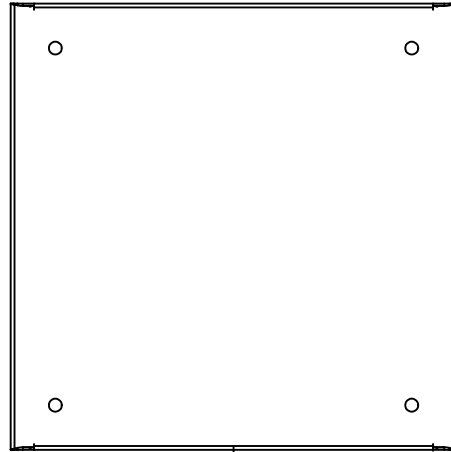


This drawing is confidential and must not be reproduced or used without the consent of EXM

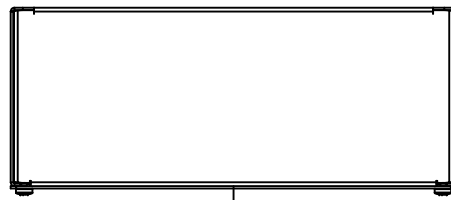
Ce dessin est confidentiel et ne doit pas être reproduit ou utilisé sans le consentement de EXM



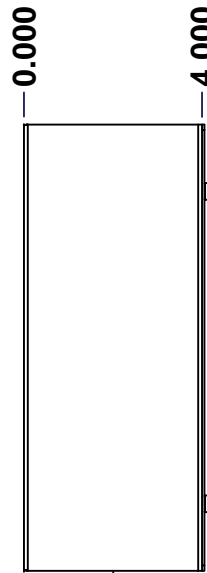
TOP



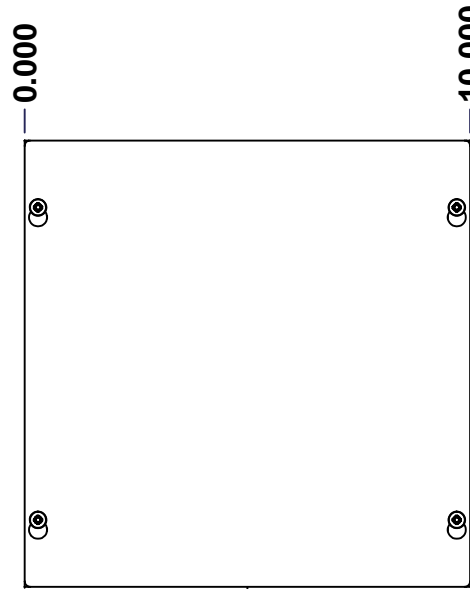
BACK



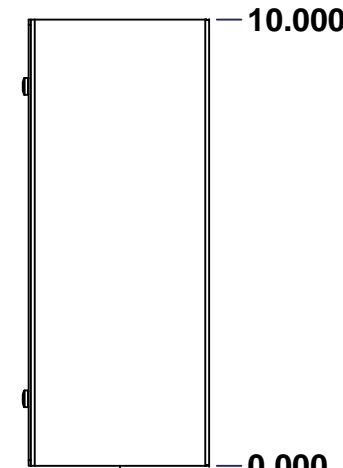
BOTTOM



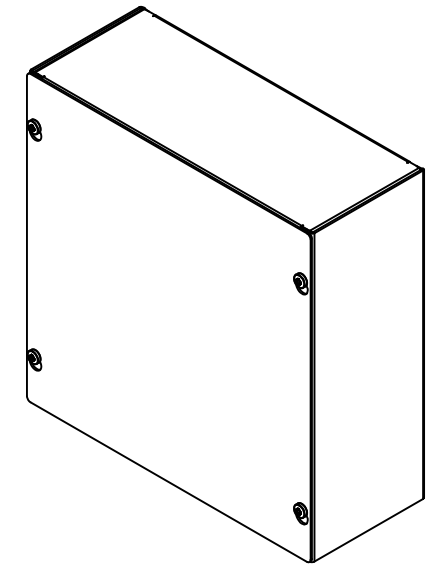
LEFT



FRONT




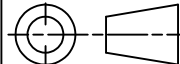
RIGHT



Isometric View



| No. | Revisions | Date | By/Par |
|-----|-----------|------|--------|
|     |           |      |        |
|     |           |      |        |
|     |           |      |        |
|     |           |      |        |
|     |           |      |        |

|  |                           |   |
|--|---------------------------|---|
|  Tél: (450) 979-4373<br>Fax: (450) 979-4626<br><a href="http://www.exmweb.com">www.exmweb.com</a> |                           | Flatness<br>Aplatissement<br>Max 3.0mm<br>Projection<br> |
| Customer<br>Client   | Date                      |   |
| Drawn By<br>Dessiné Par  | BoxCad: BoxCad            | Date 21-Oct-13  |
| Material<br>Matière  | 16 Ga H.R.P. & O. (1.4mm) |   |
| Color<br>Couleur   | Asa-61 Grey               | Finish<br>Fini Smooth   |
| Description  | Detail Rev.               |   |
| 1100DFN 10" x 10" x 4" Assembly  |                           |   |
| Part Number<br>Numéro Pièce  | Rev. 0                    | 1<br>2  |

SEE BILL OF MATERIAL ON LAST PAGE

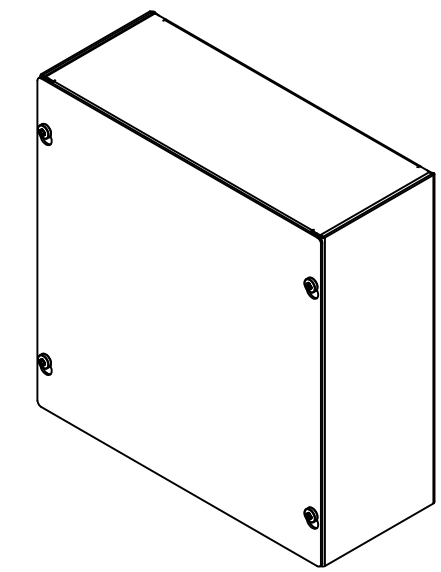
**1100DF101004N**

This drawing is confidential and must not be reproduced or used without the consent of EXM

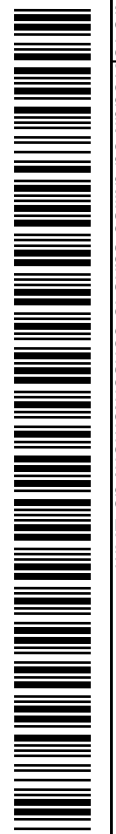
Ce dessin est confidentiel et ne doit pas être reproduit ou utilisé sans le consentement de EXM


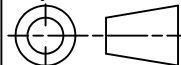
| NOTE |  |
|------|--|
| ITEM | DESCRIPTION                                    |
| 1    | NEMA 1 Enclosure                               |
| 2    | C/W Standard ground provision on box and cover |
| 3    | W/O Standard door stiffener                    |
| 4    | W/O Inner panel                                |
| 5    | W/O Inner panel mounting provision             |

| No. | Revisions | Date | By/Par |
|-----|-----------|------|--------|
|     |           |      |        |
|     |           |      |        |
|     |           |      |        |
|     |           |      |        |
|     |           |      |        |
|     |           |      |        |



Isometric View



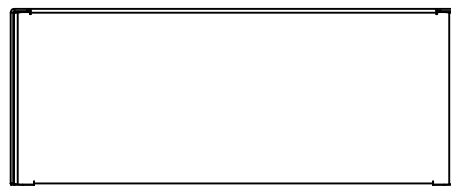
|  |                           |   |
|--|---------------------------|---|
|  Tél: (450) 979-4373<br>Fax: (450) 979-4626<br><a href="http://www.exmweb.com">www.exmweb.com</a> |                           | Flatness<br>Aplatissement<br>Max 3.0mm<br>Projection<br> |
| Customer<br>Client   | Date                      |   |
| Drawn By<br>Dessiné Par  | BoxCad: BoxCad            | Date 21-Oct-13  |
| Material<br>Matière  | 16 Ga H.R.P. & O. (1.4mm) |   |
| Color<br>Couleur   | Asa-61 Grey               | Finish<br>Fini Smooth   |
| Description  | Detail Rev.               |   |
| 1100DFN 10" x 10" x 4" Assembly  |                           |   |
| Part Number<br>Numéro Pièce  | Rev.                      | 2   |
| <b>1100DF101004N</b>   | <b>0</b>                  | <b>2</b>  |

| PACKING              |     |   |
|----------------------|-----|---|
| ITEM                 | QTY | DESCRIPTION                             |
| Thermal plastic film | 1   | Use with Packing Tunnel Wrapper Machine |
| Packaging label      | 1   | White label with product number         |

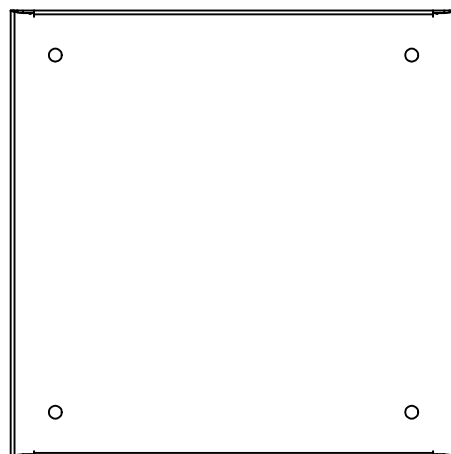
| Qty        | Part Number    | Rev | Description                   |
|------------|----------------|-----|-------------------------------|
| 4          | STK-Q-05020    | 5   | M5 x 8mm Thread Rolling Screw |
| 1          | 1100DF101004NC | 0   | 1100DFN 10" x 10" Cover       |
| 1          | 1100DF101004NB | 0   | 1100DFN 10" x 10" x 4" Body   |
| Parts List |                |     |                               |

This drawing is confidential and must not be reproduced or used without the consent of EXM

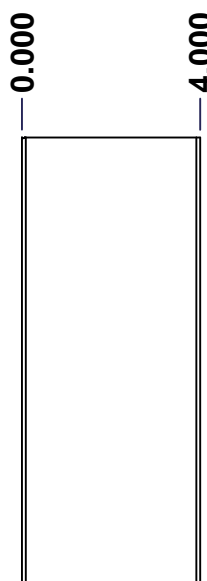
Ce dessin est confidentiel et ne doit pas être reproduit ou utilisé sans le consentement de EXM



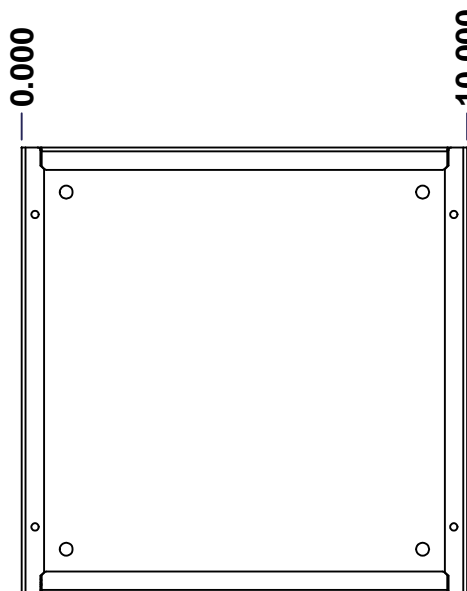
TOP



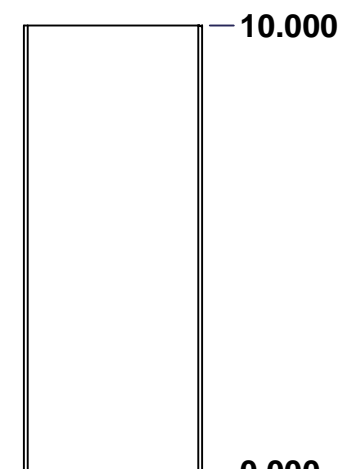
BACK



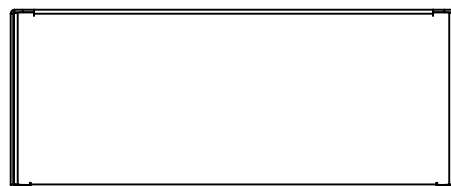
LEFT



FRONT

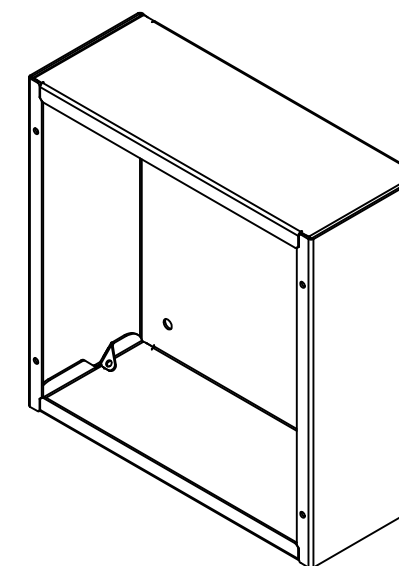


RIGHT



BOTTOM

| No. | Revisions | Date | By/Par |
|-----|-----------|------|--------|
|     |           |      |        |
|     |           |      |        |
|     |           |      |        |
|     |           |      |        |
|     |           |      |        |



Isometric View



Tél: (450) 979-4373  
 Fax: (450) 979-4626  
[www.exmweb.com](http://www.exmweb.com)

Flatness  
Aplatissement

Max 3.0mm

Projection



|  |                |
|--|----------------|
| Customer<br>Client                     | Date           |
| Drawn By<br>Dessiné Par BoxCad: BoxCad | Date 21-Oct-13 |

Material  
Matière 16 Ga H.R.P. & O. (1.4mm)

|                              |                       |
|------------------------------|-----------------------|
| Color<br>Couleur Asa-61 Grey | Finish<br>Fini Smooth |
|------------------------------|-----------------------|

Description  
1100DFN 10" x 10" x 4" Body

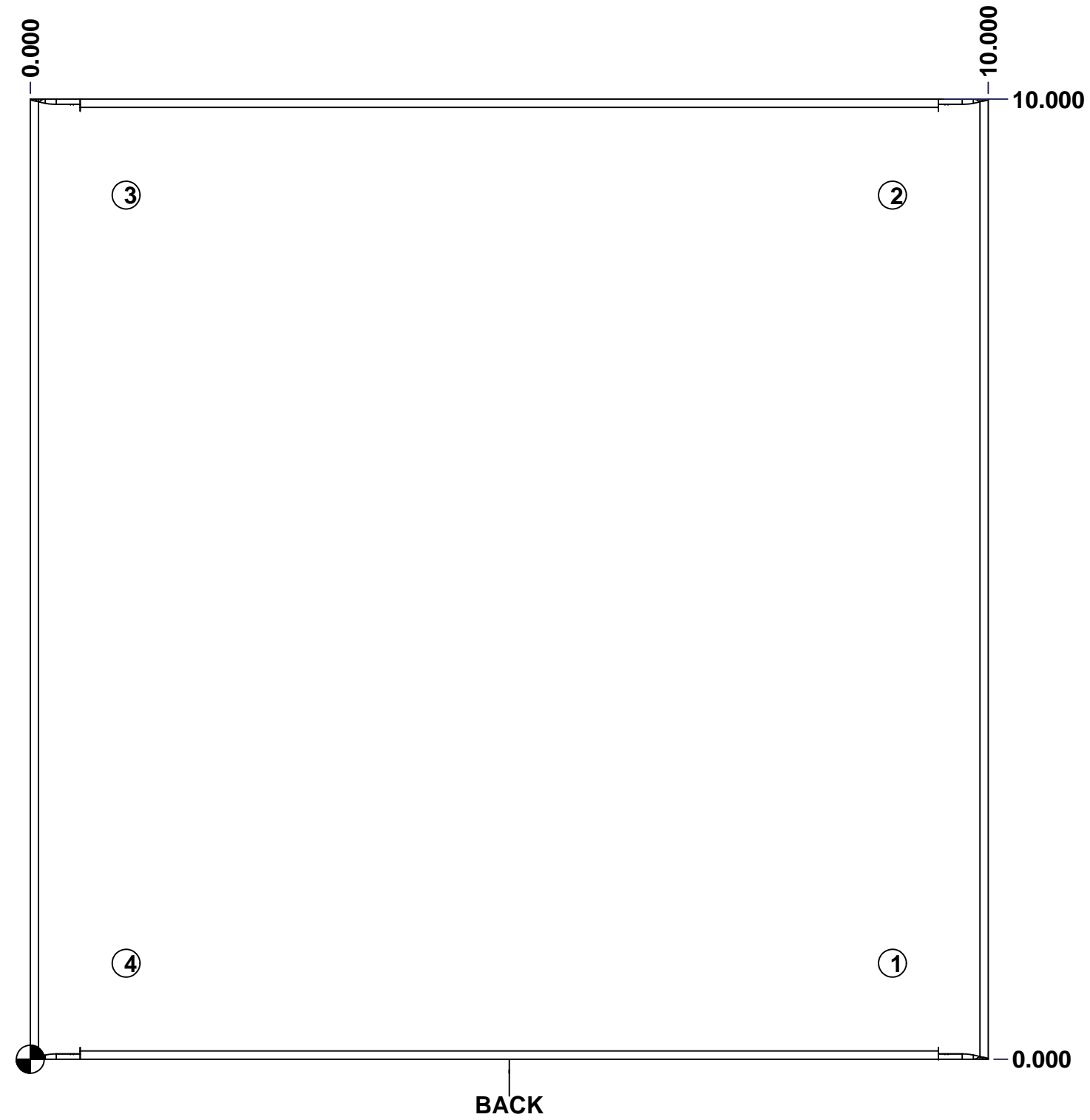
|                             |          |   |
|-----------------------------|----------|---|
| Part Number<br>Numéro Pièce | Rev.     | 1 |
| <b>1100DF101004NB</b>       | <b>0</b> | 7 |

SEE BILL OF MATERIAL ON LAST PAGE

This drawing is confidential and must not be reproduced or used without the consent of EXM

Ce dessin est confidentiel et ne doit pas être reproduit ou utilisé sans le consentement de EXM

| STANDARD FEATURES ARE NOT LISTED IN THIS HOLE TABLE |       |       |             |
|---|-------|-------|-------------|
| HOLE TABLE - BACK VIEW (CUSTOM FEATURE ONLY)        |       |       |             |
| CUT-OUT   | XDIM  | YDIM  | DESCRIPTION |
| 1   | 9.000 | 1.000 | RND Ø0.290  |
| 2   | 9.000 | 9.000 | RND Ø0.290  |
| 3   | 1.000 | 9.000 | RND Ø0.290  |
| 4   | 1.000 | 1.000 | RND Ø0.290  |

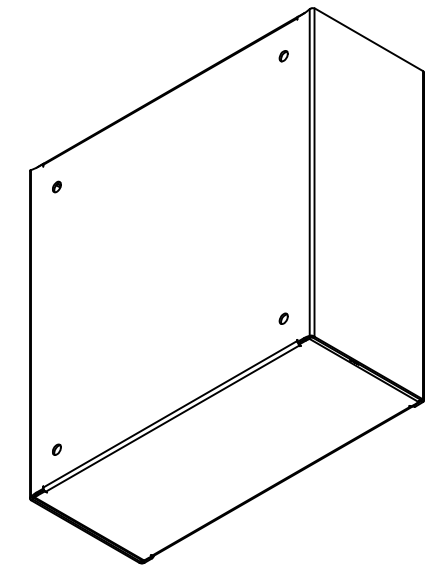


|  |                             |          |
|--|-----------------------------|----------|
|  | Description                 | Status   |
|  | 1100DFN 10" x 10" x 4" Body | (NULL)   |
|  | Part Number<br>Numéro Pièce | Rev.     |
|  | <b>1100DF101004NB</b>       | <b>0</b> |
|  |                             | 6        |
|  |                             | 7        |

This drawing is confidential and must not be reproduced or used without the consent of EXM


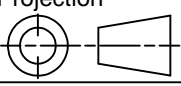
Ce dessin est confidentiel et ne doit pas être reproduit ou utilisé sans le consentement de EXM

| No. | Revisions | Date | By/Par |
|-----|-----------|------|--------|
|     |           |      |        |
|     |           |      |        |
|     |           |      |        |
|     |           |      |        |
|     |           |      |        |



Isometric View



|  |                       |   |
|--|-----------------------|---|
|  Tél: (450) 979-4373<br>Fax: (450) 979-4626<br><a href="http://www.exmweb.com">www.exmweb.com</a> |                       | Flatness<br>Aplatissement<br>Max 3.0mm<br>Projection<br> |
| Customer Client  | Date                  |   |
| Drawn By / Dessiné Par: BoxCad: BoxCad   | Date: 21-Oct-13       |   |
| Material / Matière: 16 Ga H.R.P. & O. (1.4mm)  |                       |   |
| Color / Couleur: Asa-61 Grey   | Finish / Fini: Smooth |   |
| Description: 1100DFN 10" x 10" x 4" Body   |                       | Detail Rev.   |
| Part Number / Numéro Pièce: <b>1100DF101004NB</b>  |                       | Rev. 0  |

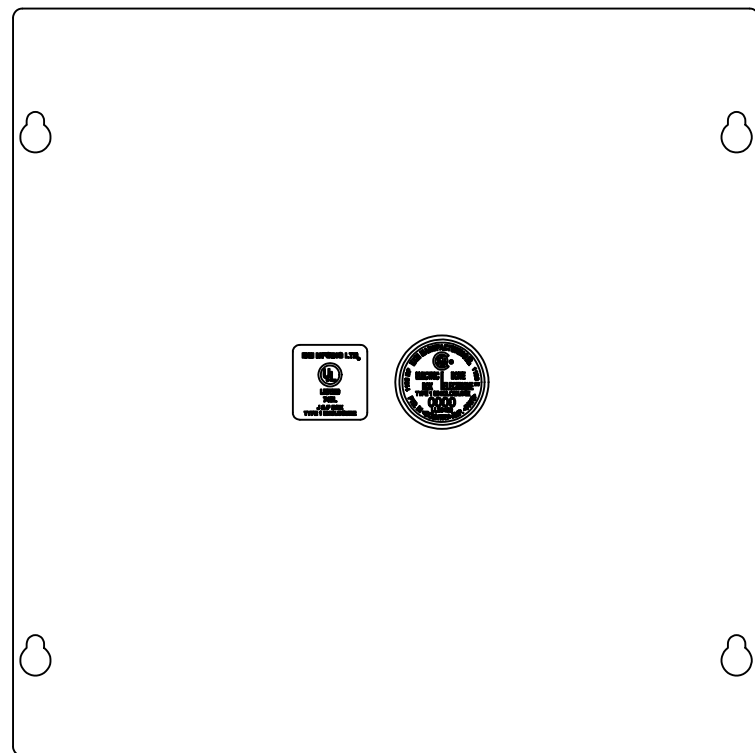
| Qty        | Part Number      | Rev | Description                         |
|------------|------------------|-----|-------------------------------------|
| 1          | STK-P-02400S     | 0   | Powder Paint (Asa-61 Grey / Smooth) |
| 1          | 1100DF101004NB-P | 0   | 1100DFN 10" x 10" x 4" Body Part    |
| Parts List |                  |     |                                     |

|   |
|---|
| 7 |
| 7 |

This drawing is confidential and must not be reproduced or used without the consent of EXM

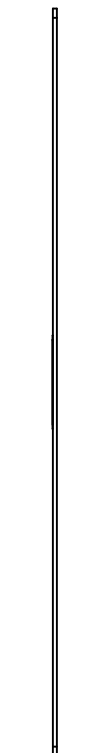
Ce dessin est confidentiel et ne doit pas être reproduit ou utilisé sans le consentement de EXM

TOP

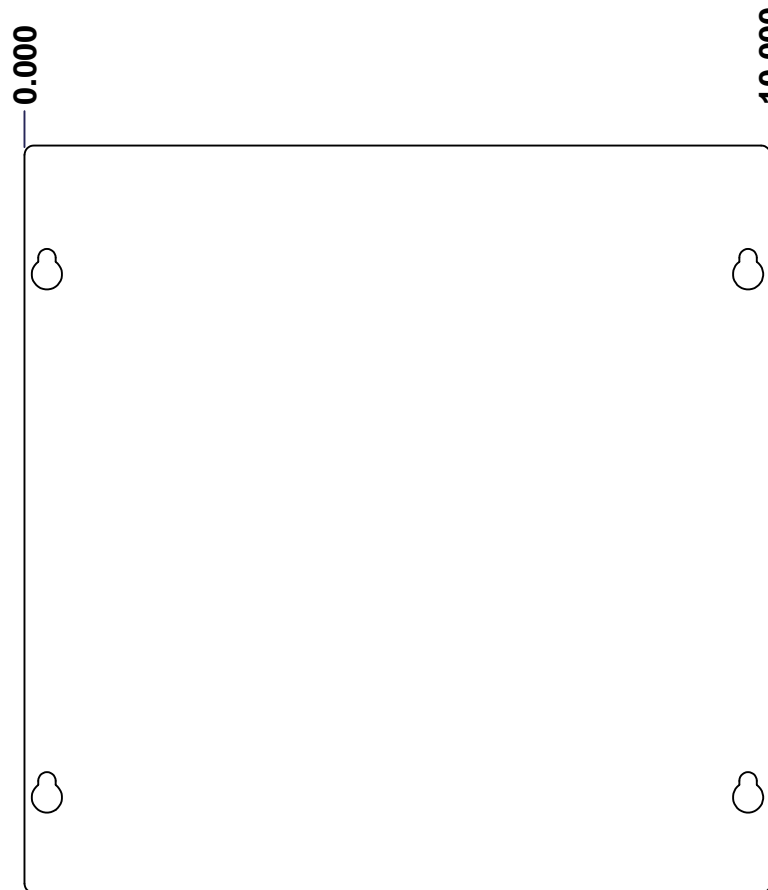


BACK

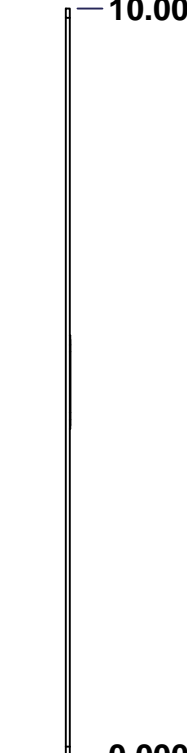
BOTTOM



LEFT

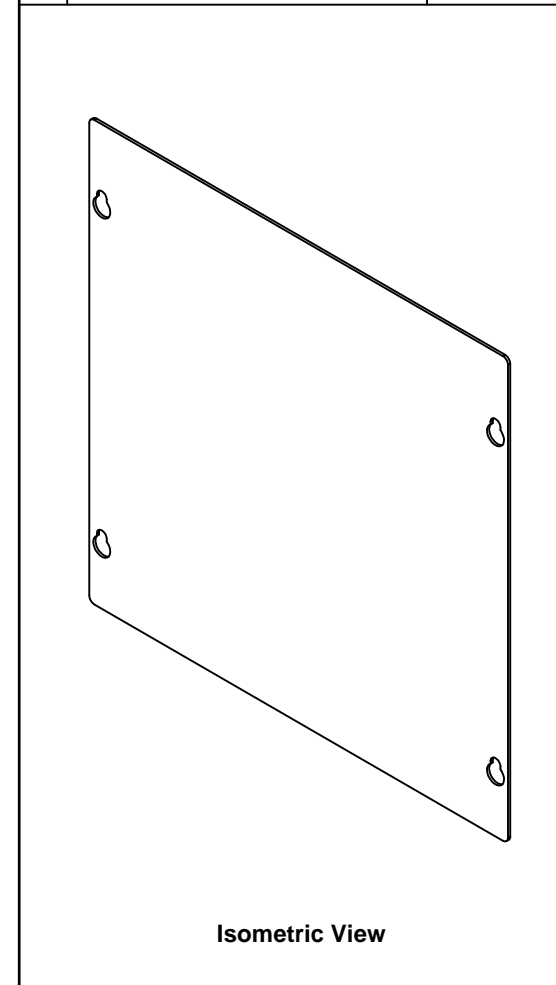


FRONT



RIGHT

| No. | Revisions | Date | By/Par |
|-----|-----------|------|--------|
|     |           |      |        |
|     |           |      |        |
|     |           |      |        |
|     |           |      |        |



Isometric View



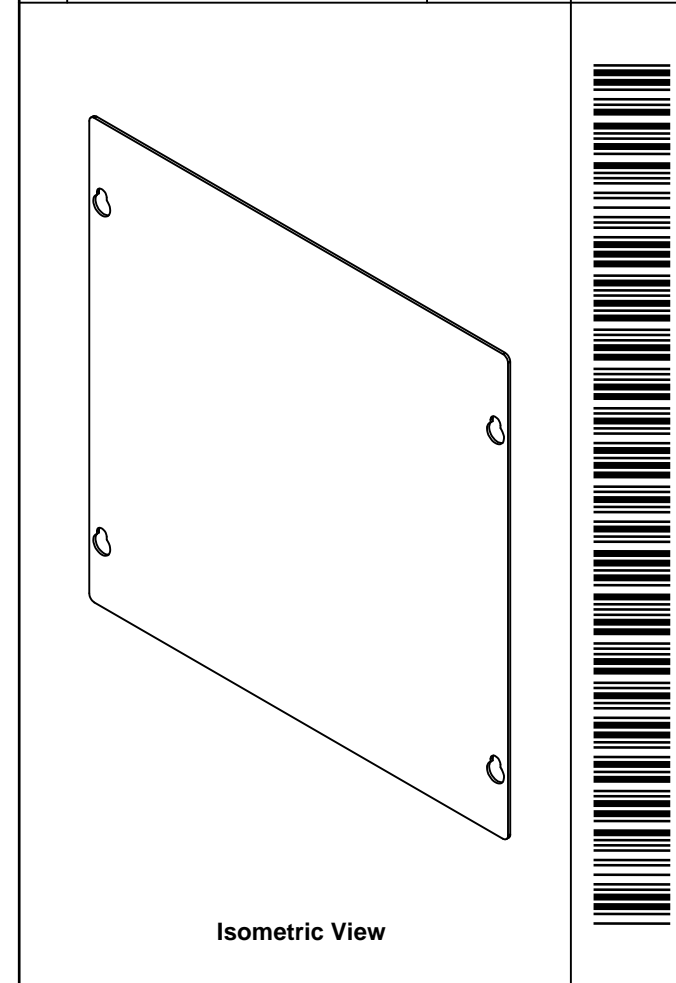
|  |                           |  |
|--|---------------------------|--|
| Tél: (450) 979-4373<br>Fax: (450) 979-4626<br><a href="http://www.exmweb.com">www.exmweb.com</a> |                           | Flatness<br>Aplatissement<br>Max 3.0mm<br>Projection<br> |
| Customer Client  | Date                      |  |
| Drawn By<br>Dessiné Par  | BoxCad: BoxCad            | Date 21-Oct-13   |
| Material<br>Matière  | 16 Ga H.R.P. & O. (1.4mm) |  |
| Color<br>Couleur   | Asa-61 Grey               | Finish<br>Fini Smooth                                    |
| Description  | Detail Rev.               |  |
| 1100DFN 10" x 10" Cover  |                           |  |
| Part Number<br>Numéro Pièce  | Rev. 0                    | 1<br>3   |
| <b>1100DF101004NC</b>  |                           |  |

SEE BILL OF MATERIAL ON LAST PAGE

This drawing is confidential and must not be reproduced or used without the consent of EXM

Ce dessin est confidentiel et ne doit pas être reproduit ou utilisé sans le consentement de EXM

| No. | Revisions | Date | By/Par |
|-----|-----------|------|--------|
|     |           |      |        |
|     |           |      |        |
|     |           |      |        |
|     |           |      |        |
|     |           |      |        |



|  |                           |   |
|--|---------------------------|---|
|  Tél: (450) 979-4373<br>Fax: (450) 979-4626<br><a href="http://www.exmweb.com">www.exmweb.com</a> |                           | Flatness<br>Aplatissement<br>Max 3.0mm<br>Projection<br> |
| Customer<br>Client   | Date                      |   |
| Drawn By<br>Dessiné Par  | BoxCad: BoxCad            | Date 21-Oct-13  |
| Material<br>Matière  | 16 Ga H.R.P. & O. (1.4mm) |   |
| Color<br>Couleur   | Asa-61 Grey               | Finish<br>Fini Smooth   |
| Description  | Detail Rev.               |   |
| 1100DFN 10" x 10" Cover  |                           |   |
| Part Number<br>Numéro Pièce  | Rev.                      | 3   |
| <b>1100DF101004NC</b>  | <b>0</b>                  | <b>3</b>  |

| Qty        | Part Number      | Rev | Description                         |
|------------|------------------|-----|-------------------------------------|
| 1          | STK-S-00950      | 1   | UL 74SL Pull-Box Sticker            |
| 1          | STK-S-00800      | 2   | CSA Electrical Box Sticker          |
| 1          | 1100DF101004NC-P | 0   | 1100DFN 10" x 10" Cover Part        |
| 1          | STK-P-02400S     | 0   | Powder Paint (Asa-61 Grey / Smooth) |
| Parts List |                  |     |                                     |