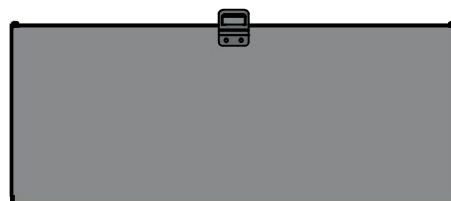


This drawing is confidential and must not be reproduced or used without the consent of EXM

Ce dessin est confidentiel et ne doit pas être reproduit ou utilisé sans le consentement de EXM



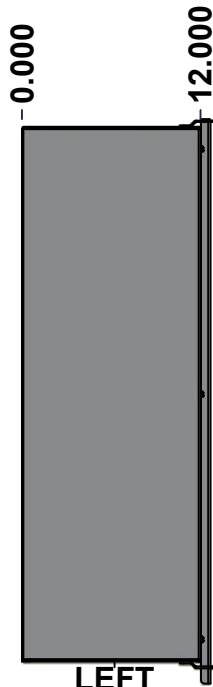
TOP



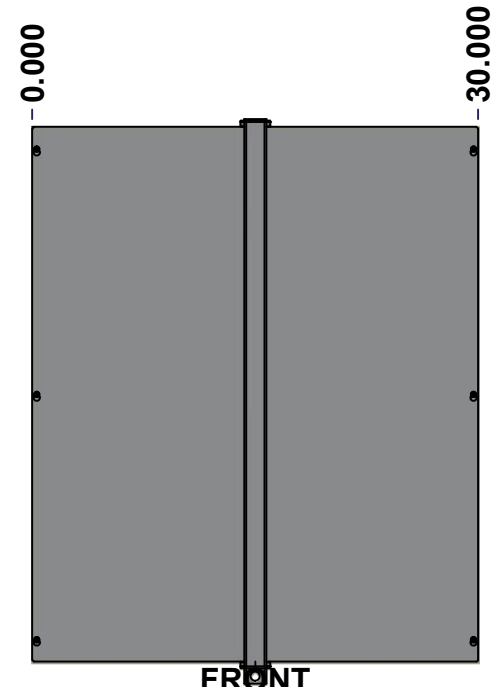
BACK



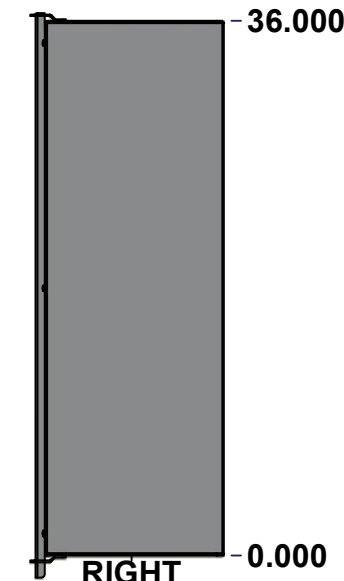
BOTTOM



LEFT

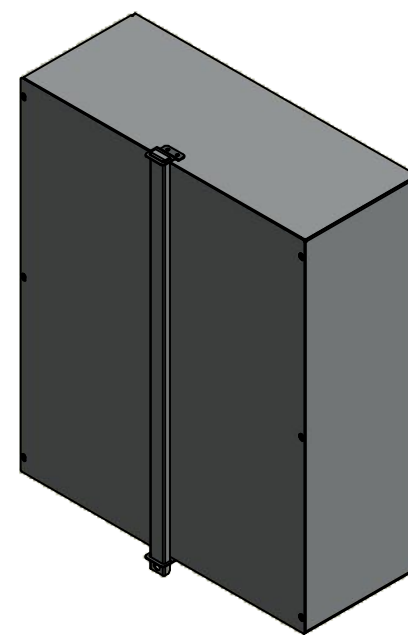


FRONT

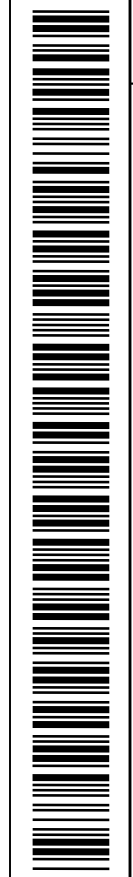



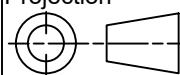
RIGHT

| No. | Revisions | Date | By/Par |
|-----|-----------|------|--------|
|     |           |      |        |
|     |           |      |        |
|     |           |      |        |
|     |           |      |        |
|     |           |      |        |



Isometric View



|  |   |   |
|--|---|---|
|  Tél: (450) 979-4373<br>Fax: (450) 979-4626<br><a href="http://www.exmweb.com">www.exmweb.com</a> |   | Flatness<br>Aplatissement<br>Max 3.0mm<br>Projection<br> |
| Customer<br>Client   | Date                                      |   |
| Drawn By<br>Dessiné Par  | BoxCad: BoxCad                            | Date 7/19/2022  |
| Material<br>Matière  | 14 Ga Cold Rolled A1008 CS Type B (1.7mm) |   |
| Color<br>Couleur   | Asa-61 Grey                               | Finish<br>Fini Smooth   |
| Description<br>1100DFPN 36" x 30" x 12" Assembly   |   | Detail Rev.   |
| Part Number<br>Numéro Pièce  | 1100DFP363012N                            | Rev. 1<br>0   |

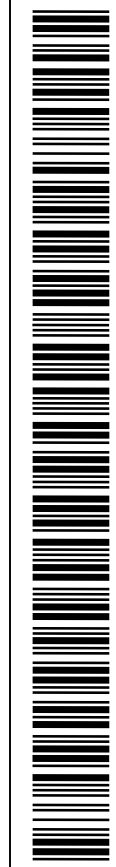
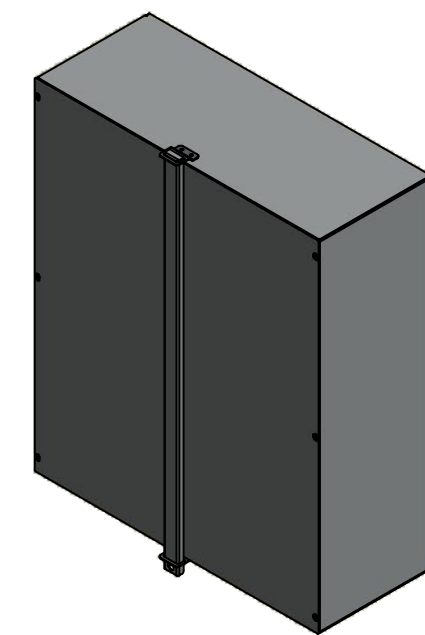
SEE BILL OF MATERIAL ON LAST PAGE

This drawing is confidential and must not be reproduced or used without the consent of EXM

Ce dessin est confidentiel et ne doit pas être reproduit ou utilisé sans le consentement de EXM

| NOTE |  |
|------|--|
| ITEM | DESCRIPTION                                    |
| 1    | NEMA 1 Enclosure                               |
| 2    | C/W Standard ground provision on box and cover |
| 3    | W/O Standard door stiffener                    |
| 4    | W/O Inner panel                                |
| 5    | W/O Inner panel mounting provision             |
| 6    | C/W Padlock Kit (Not Installed)                |

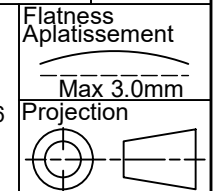
| No. | Revisions | Date | By/Par |
|-----|-----------|------|--------|
|     |           |      |        |
|     |           |      |        |
|     |           |      |        |
|     |           |      |        |
|     |           |      |        |
|     |           |      |        |



Isometric View



Tél: (450) 979-4373  
 Fax: (450) 979-4626  
[www.exmweb.com](http://www.exmweb.com)



|   |                 |
|---|-----------------|
| Customer Client   | Date            |
| Drawn By / Dessiné Par: BoxCad: BoxCad                        | Date: 7/19/2022 |
| Material / Matière: 14 Ga Cold Rolled A1008 CS Type B (1.7mm) |                 |

|   |                       |
|---|-----------------------|
| Color / Couleur: Asa-61 Grey                      | Finish / Fini: Smooth |
| Description: 1100DFPN 36" x 30" x 12" Assembly    | Detail Rev.           |
| Part Number / Numéro Pièce: <b>1100DFP363012N</b> | Rev. 2 / 0            |

| PACKING               |     |  |
|-----------------------|-----|--|
| ITEM                  | QTY | DESCRIPTION                                |
| Cardboard sleeve      | 2   | Top and Bottom                             |
| Plastic strap - Black | 2   | To squeeze the 2 cardboard sleeve together |
| Thermal plastic film  | 1   | Use with Packing Tunnel Wrapper Machine    |
| Packaging label       | 1   | White label with product number            |

| Qty | Part Number     | Rev | Description                   |
|-----|-----------------|-----|-------------------------------|
| 1   | 880 DPF36       | 0   | 880 DFP Padlock Kit           |
| 8   | STK-Q-05020     | 5   | M5 x 8mm Thread Rolling Screw |
| 1   | 1100DFP363012NC | 0   | 1100DFPN 36" x 30" Cover      |
| 1   | 1100DFP363012NB | 0   | 1100DFPN 36" x 30" x 12" Body |

Parts List

This drawing is confidential and must not be reproduced or used without the consent of EXM

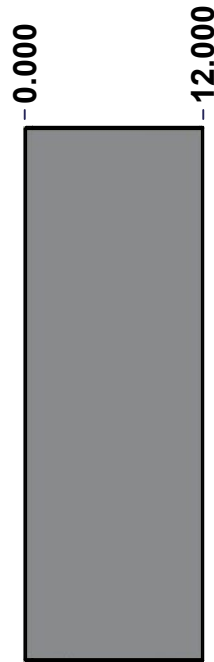
Ce dessin est confidentiel et ne doit pas être reproduit ou utilisé sans le consentement de EXM



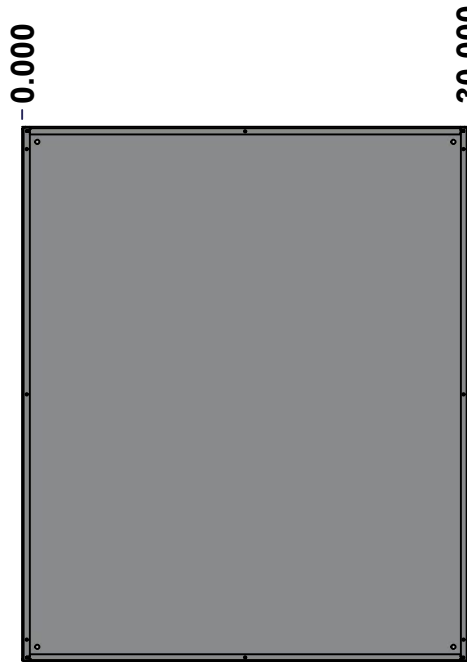
TOP



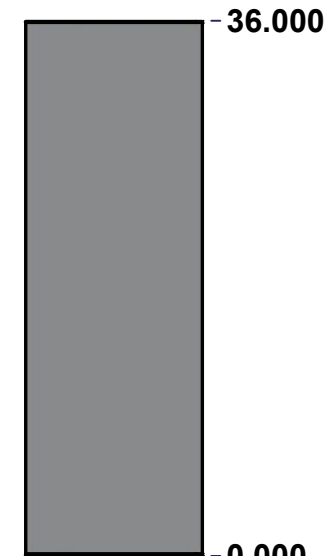
BACK



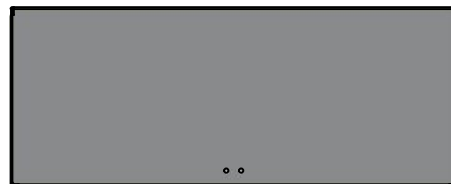
LEFT



FRONT

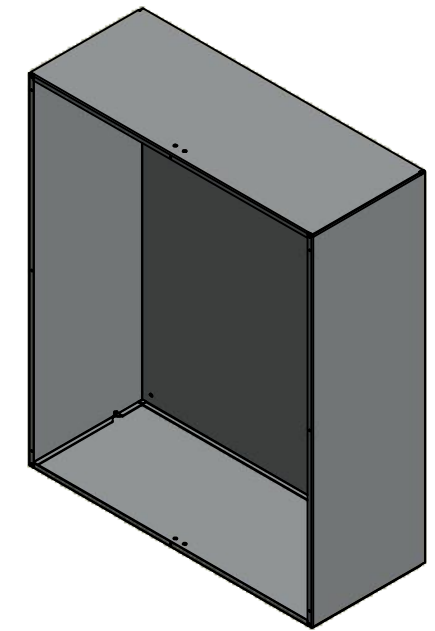


RIGHT



BOTTOM

| No. | Revisions | Date | By/Par |
|-----|-----------|------|--------|
|     |           |      |        |
|     |           |      |        |
|     |           |      |        |
|     |           |      |        |
|     |           |      |        |



Isometric View

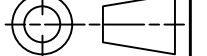


Tél: (450) 979-4373  
 Fax: (450) 979-4626  
[www.exmweb.com](http://www.exmweb.com)

Flatness  
Aplatissement

Max 3.0mm

Projection



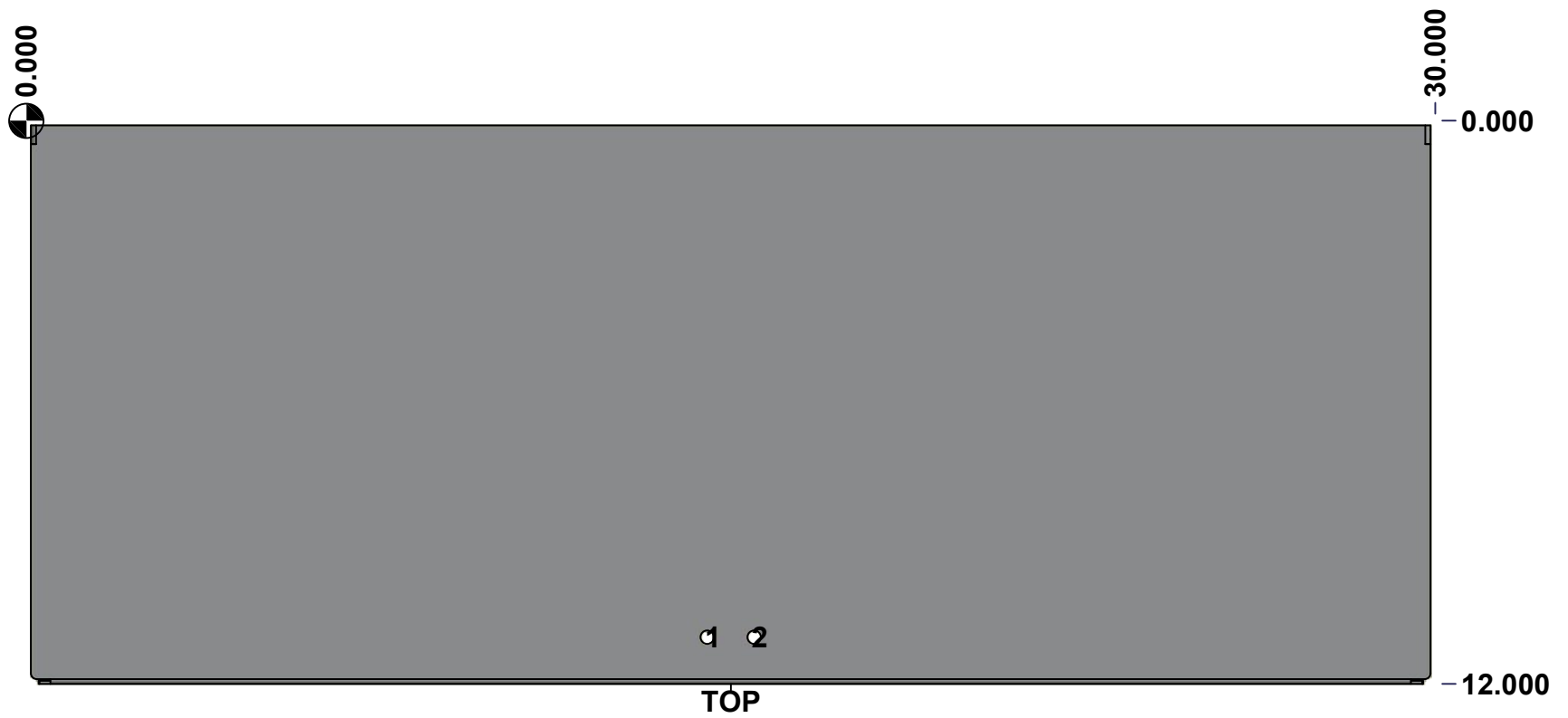
|   |                       |
|---|-----------------------|
| Customer Client   | Date                  |
| Drawn By / Dessiné Par: BoxCad: BoxCad                        | Date: 7/19/2022       |
| Material / Matière: 14 Ga Cold Rolled A1008 CS Type B (1.7mm) |                       |
| Color / Couleur: Asa-61 Grey                                  | Finish / Fini: Smooth |
| Description: 1100DFPN 36" x 30" x 12" Body                    | Detail Rev.           |
| Part Number / Numéro Pièce: <b>1100DFP363012NB</b>            | Rev. 0                |

SEE BILL OF MATERIAL ON LAST PAGE

This drawing is confidential and must not be reproduced or used without the consent of EXM

Ce dessin est confidentiel et ne doit pas être reproduit ou utilisé sans le consentement de EXM

| STANDARD FEATURES ARE NOT LISTED IN THIS HOLE TABLE |        |        |             |
|---|--------|--------|-------------|
| HOLE TABLE - TOP VIEW (CUSTOM FEATURE ONLY)         |        |        |             |
| CUT-OUT   | XDIM   | YDIM   | DESCRIPTION |
| 1   | 14.500 | 11.000 | RND Ø0.290  |
| 2   | 15.500 | 11.000 | RND Ø0.290  |

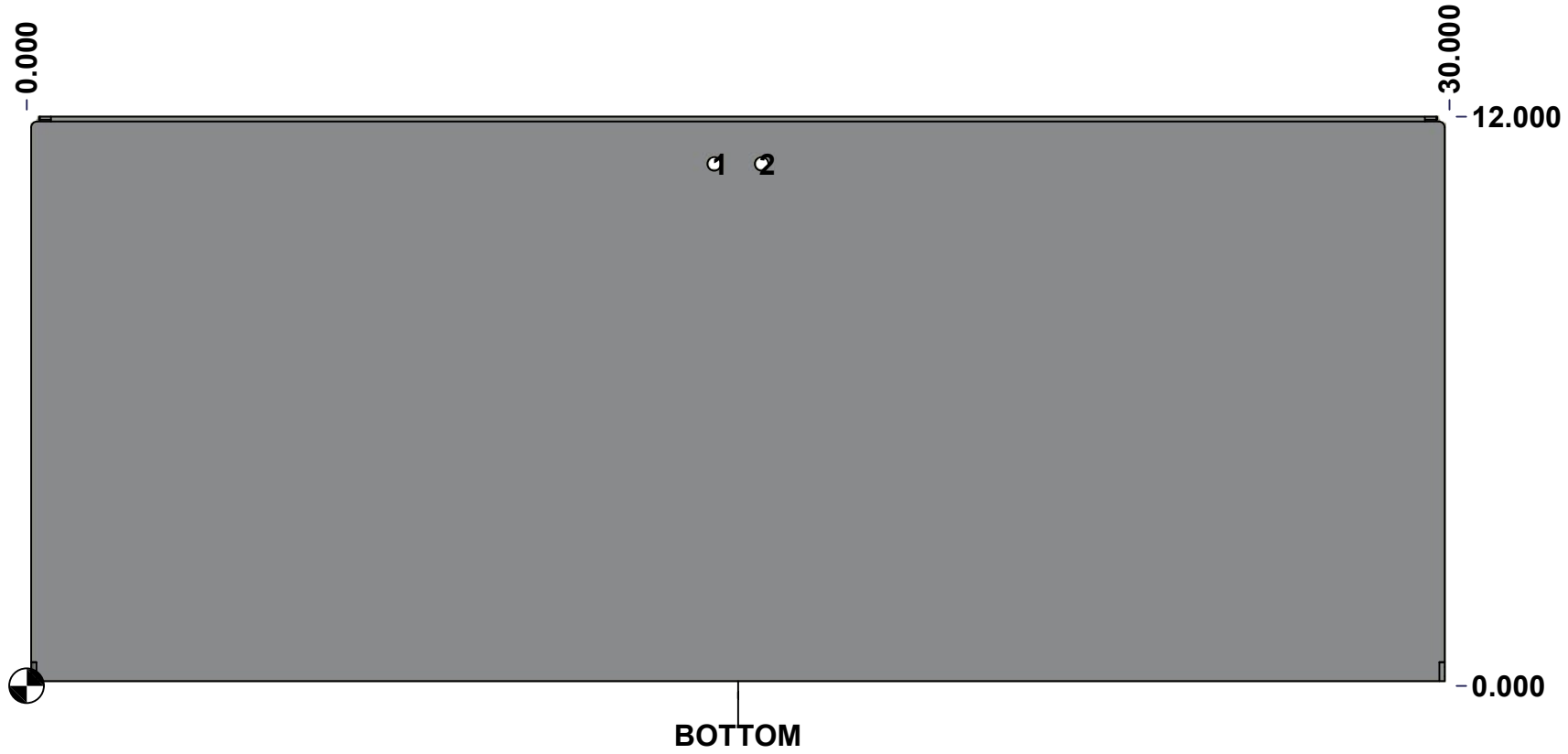


|  |                               |          |        |
|--|-------------------------------|----------|--------|
|  | Description                   | Status   |        |
|  | 1100DFPN 36" x 30" x 12" Body | (NULL)   |        |
|  | Part Number<br>Numéro Pièce   | Rev.     |        |
|  | <b>1100DFP363012NB</b>        | <b>0</b> | 4 / 10 |

This drawing is confidential and must not be reproduced or used without the consent of EXM

Ce dessin est confidentiel et ne doit pas être reproduit ou utilisé sans le consentement de EXM

| <b>STANDARD FEATURES ARE NOT LISTED IN THIS HOLE TABLE</b> |        |        |             |
|--|--------|--------|-------------|
| <b>HOLE TABLE - BOTTOM VIEW (CUSTOM FEATURE ONLY)</b>      |        |        |             |
| CUT-OUT  | XDIM   | YDIM   | DESCRIPTION |
| 1  | 14.500 | 11.000 | RND Ø0.290  |
| 2  | 15.500 | 11.000 | RND Ø0.290  |



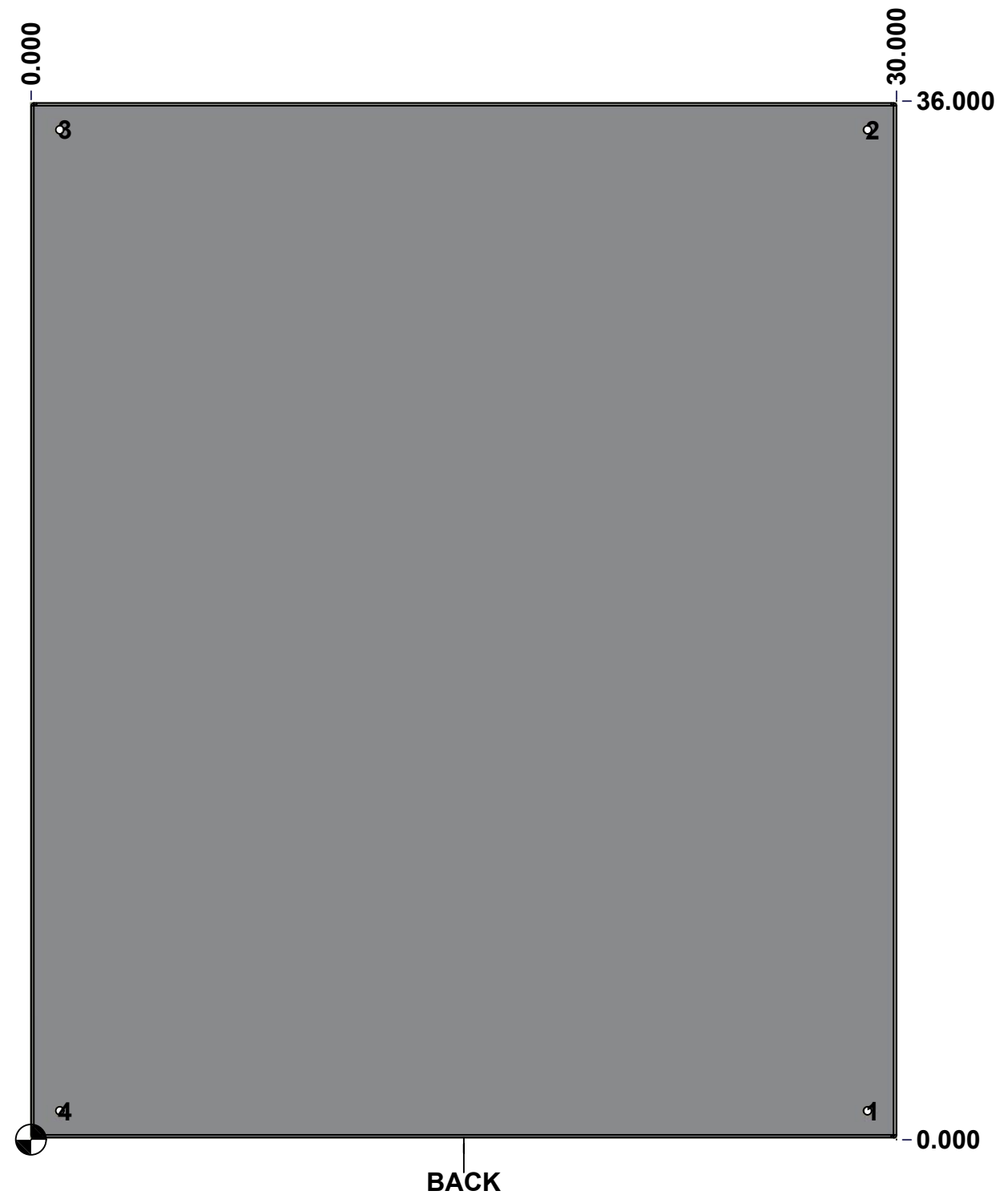
BOTTOM

|  |                               |          |    |
|--|-------------------------------|----------|----|
|  | Description                   | Status   |    |
|  | 1100DFPN 36" x 30" x 12" Body | (NULL)   |    |
|  | Part Number<br>Numéro Pièce   | Rev.     | 5  |
|  | <b>1100DFP363012NBB</b>       | <b>0</b> | 10 |

This drawing is confidential and must not be reproduced or used without the consent of EXM

Ce dessin est confidentiel et ne doit pas être reproduit ou utilisé sans le consentement de EXM

| STANDARD FEATURES ARE NOT LISTED IN THIS HOLE TABLE |        |        |             |
|---|--------|--------|-------------|
| HOLE TABLE - BACK VIEW (CUSTOM FEATURE ONLY)        |        |        |             |
| CUT-OUT   | XDIM   | YDIM   | DESCRIPTION |
| 1   | 29.000 | 1.000  | RND Ø0.290  |
| 2   | 29.000 | 35.000 | RND Ø0.290  |
| 3   | 1.000  | 35.000 | RND Ø0.290  |
| 4   | 1.000  | 1.000  | RND Ø0.290  |

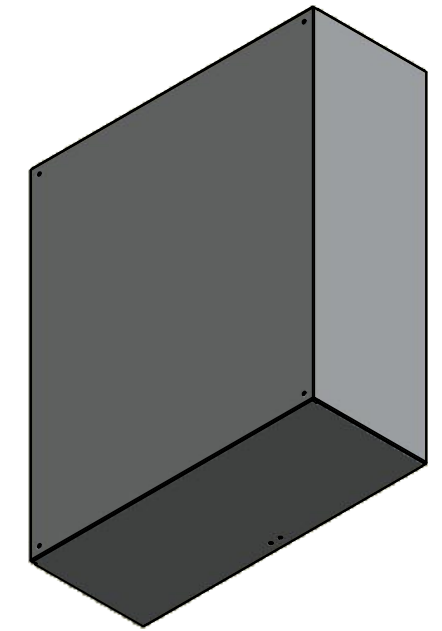


|  |                               |          |        |
|--|-------------------------------|----------|--------|
|  | Description                   | Status   |        |
|  | 1100DFPN 36" x 30" x 12" Body | (NULL)   |        |
|  | Part Number<br>Numéro Pièce   | Rev.     |        |
|  | <b>1100DFP363012NB</b>        | <b>0</b> | 6 / 10 |

This drawing is confidential and must not be reproduced or used without the consent of EXM


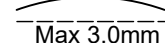
Ce dessin est confidentiel et ne doit pas être reproduit ou utilisé sans le consentement de EXM

| No. | Revisions | Date | By/Par |
|-----|-----------|------|--------|
|     |           |      |        |
|     |           |      |        |
|     |           |      |        |
|     |           |      |        |
|     |           |      |        |



Isometric View



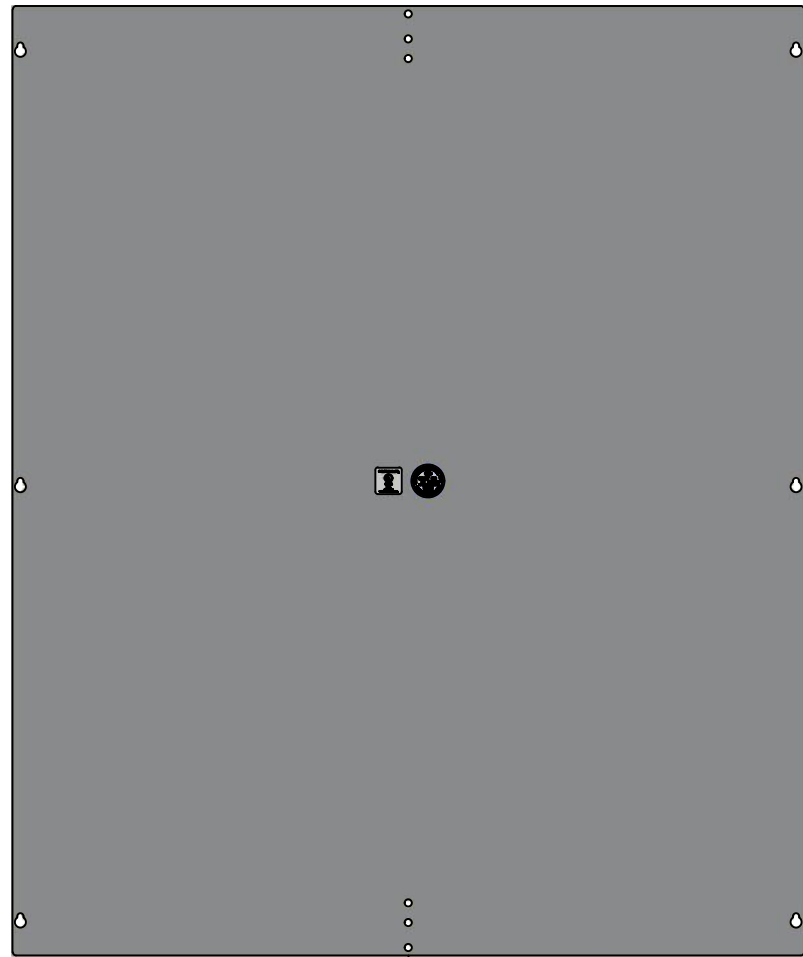
|  |                       |   |
|--|-----------------------|---|
|  Tél: (450) 979-4373<br>Fax: (450) 979-4626<br><a href="http://www.exmweb.com">www.exmweb.com</a> |                       | Flatness<br>Aplatissement<br><br>Max 3.0mm |
| Customer Client  |                       | Date  |
| Drawn By / Dessiné Par: BoxCad: BoxCad   |                       | Date: 7/19/2022   |
| Material / Matière: 14 Ga Cold Rolled A1008 CS Type B (1.7mm)  |                       |   |
| Color / Couleur: Asa-61 Grey   | Finish / Fini: Smooth |   |
| Description: 1100DFPN 36" x 30" x 12" Body   |                       | Detail Rev.   |
| Part Number / Numéro Pièce: <b>1100DFP363012NB</b>   |                       | Rev. 7<br><b>0</b> / 10   |

| Qty        | Part Number        | Rev | Description                         |
|------------|--------------------|-----|-------------------------------------|
| 1          | STK-P-02400S       | 0   | Powder Paint (Asa-61 Grey / Smooth) |
| 1          | 1100DFP363012NT-P  | 0   | 1100DFPN 36" x 30" x 12" Body Part  |
| 1          | 1100DFP363012NBT-P | 0   | 1100DFPN 36" x 30" x 12" Body Part  |
| 1          | 1100DFP363012NB-P  | 0   | 1100DFPN 36" x 30" x 12" Body Part  |
| Parts List |                    |     |                                     |

This drawing is confidential and must not be reproduced or used without the consent of EXM

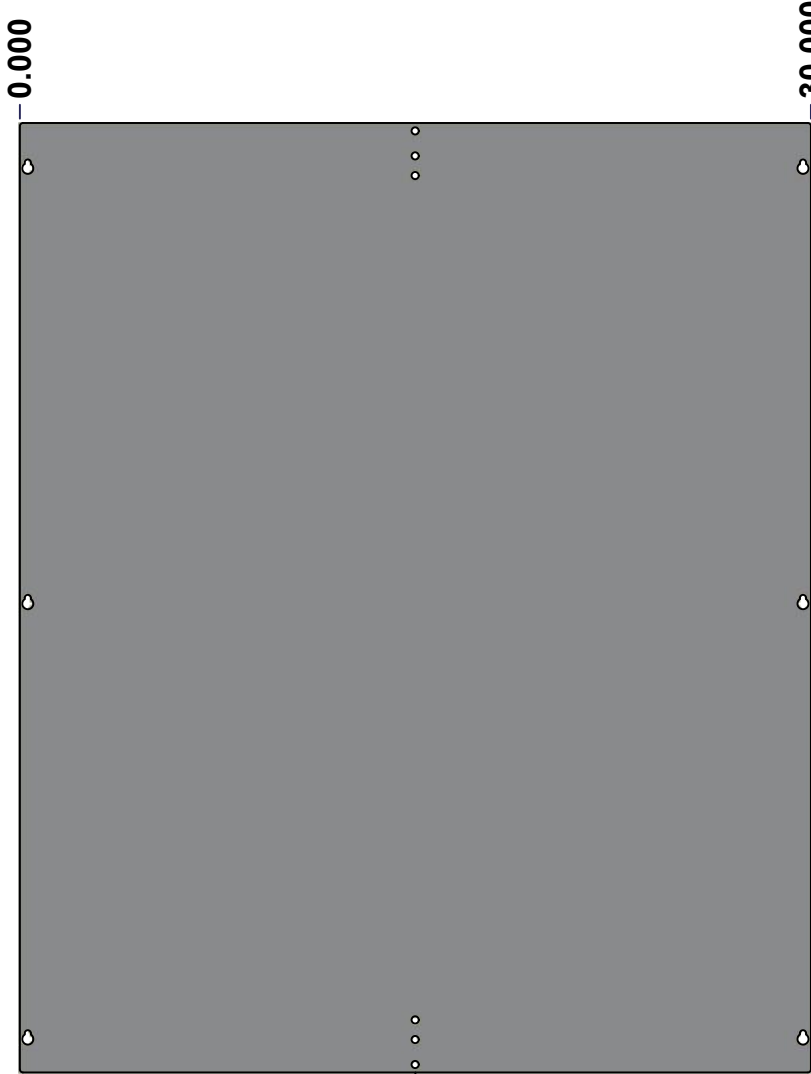
Ce dessin est confidentiel et ne doit pas être reproduit ou utilisé sans le consentement de EXM

TOP



BACK

LEFT

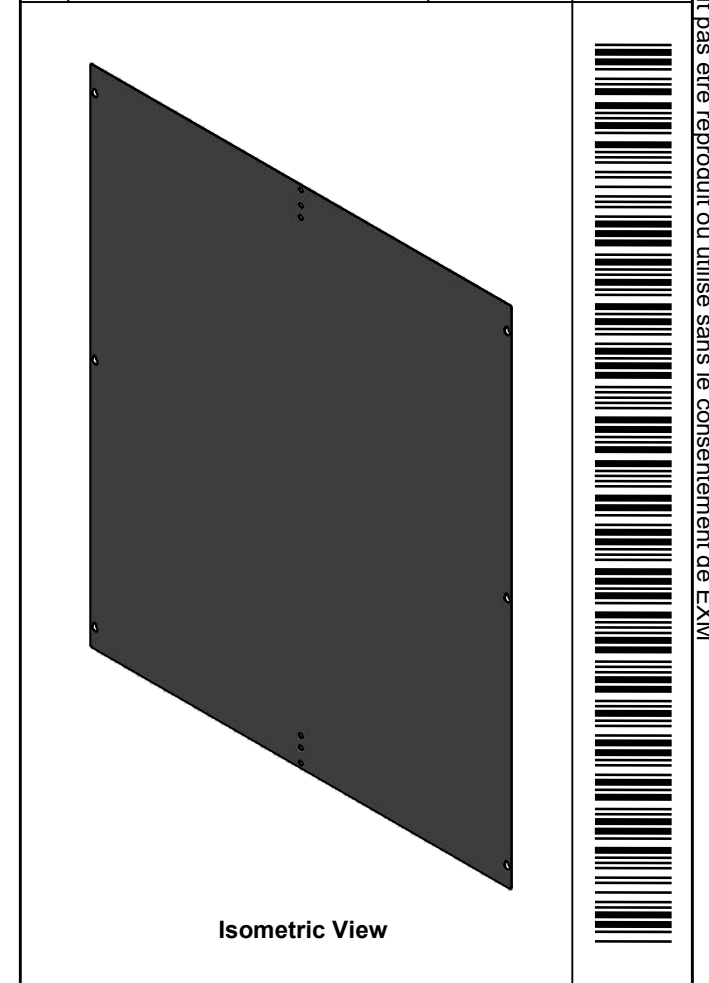


FRONT

RIGHT  
36.000  
0.000

BOTTOM

| No. | Revisions | Date | By/Par |
|-----|-----------|------|--------|
|     |           |      |        |
|     |           |      |        |
|     |           |      |        |
|     |           |      |        |
|     |           |      |        |



|  |  |                           |             |
|--|--|---------------------------|-------------|
| Tél: (450) 979-4373<br>Fax: (450) 979-4626<br><a href="http://www.exmweb.com">www.exmweb.com</a> |  | Flatness<br>Aplatissement |             |
|  |  | Max 3.0mm                 |             |
| Customer<br>Client   |  | Date                      |             |
| Drawn By<br>Dessiné Par BoxCad: BoxCad   |  | Date 7/19/2022            |             |
| Material<br>Matière 16 Ga Cold Rolled A1008 CS Type B (1.4mm)                                    |  |                           |             |
| Color<br>Couleur Asa-61 Grey   |  | Finish<br>Fini Smooth     |             |
| Description<br>1100DFPN 36" x 30" Cover  |  |                           | Detail Rev. |
| Part Number<br>Numéro Pièce <b>1100DFP363012NC</b>   |  | Rev. <b>0</b>             | 8 / 10      |

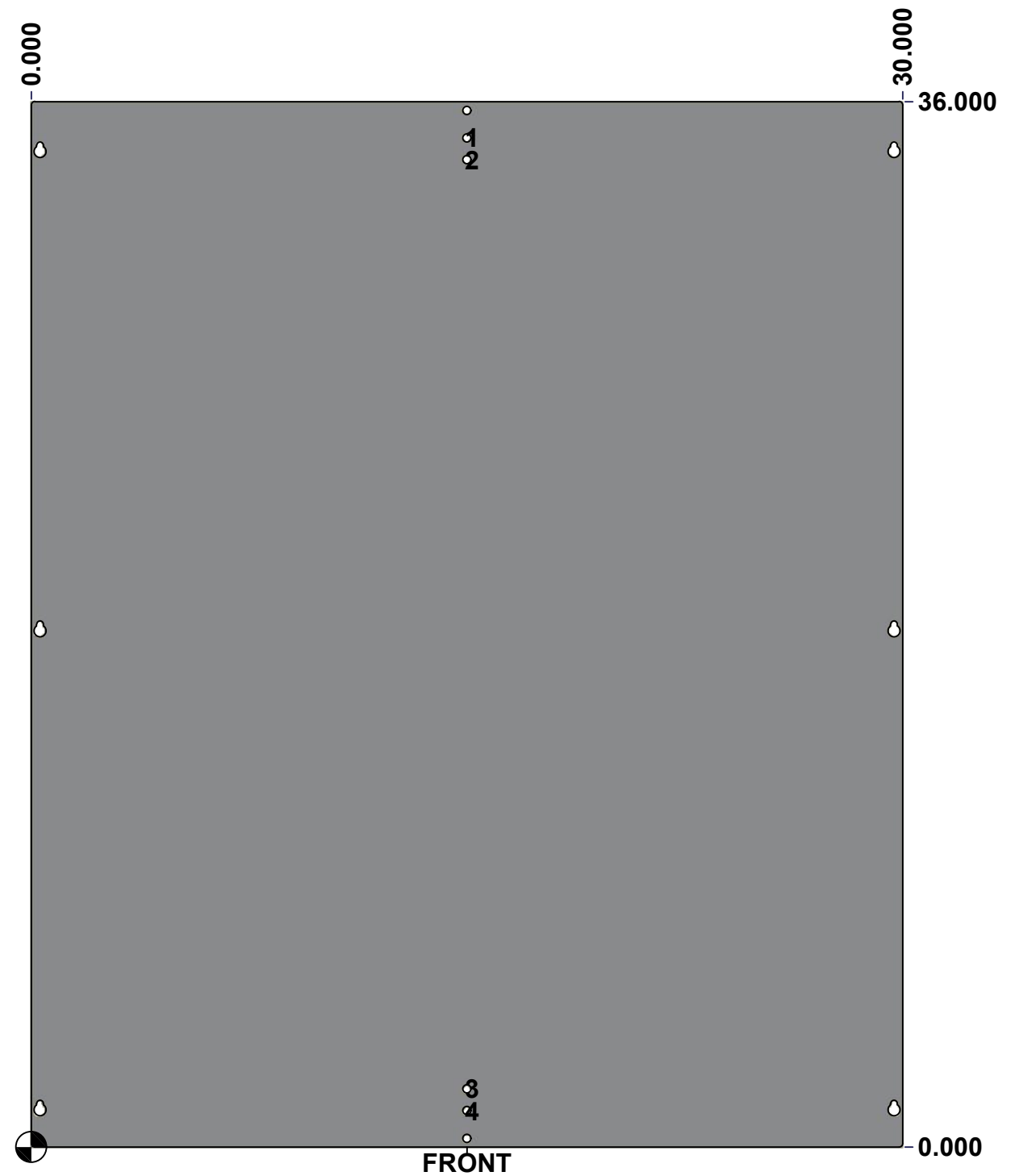
SEE BILL OF MATERIAL ON LAST PAGE



This drawing is confidential and must not be reproduced or used without the consent of EXM

Ce dessin est confidentiel et ne doit pas être reproduit ou utilisé sans le consentement de EXM

| STANDARD FEATURES ARE NOT LISTED IN THIS HOLE TABLE |        |        |             |
|---|--------|--------|-------------|
| HOLE TABLE - FRONT VIEW (CUSTOM FEATURE ONLY)       |        |        |             |
| CUT-OUT   | XDIM   | YDIM   | DESCRIPTION |
| 1   | 15.000 | 34.750 | RND Ø0.290  |
| 2   | 15.000 | 34.000 | RND Ø0.290  |
| 3   | 15.000 | 2.000  | RND Ø0.290  |
| 4   | 15.000 | 1.250  | RND Ø0.290  |

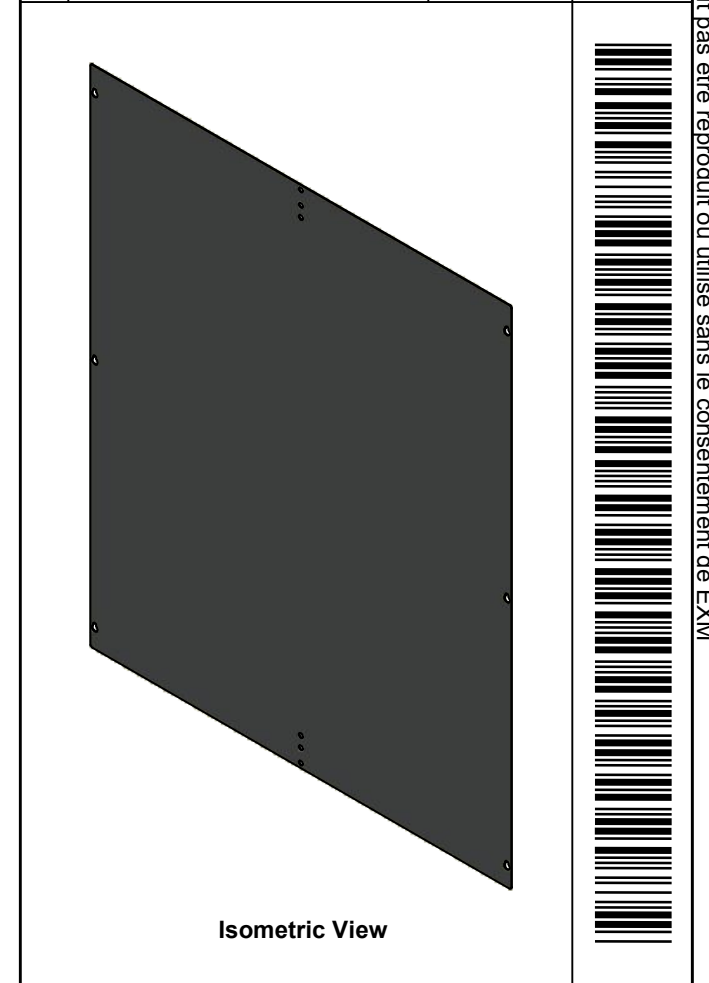



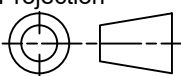
|  |                             |          |         |
|--|-----------------------------|----------|---------|
|  | Description                 | Status   |         |
|  | 1100DFPN 36" x 30" Cover    | (NULL)   |         |
|  | Part Number<br>Numéro Pièce | Rev.     |         |
|  | <b>1100DFP363012NC</b>      | <b>0</b> | 9<br>10 |

This drawing is confidential and must not be reproduced or used without the consent of EXM

Ce dessin est confidentiel et ne doit pas être reproduit ou utilisé sans le consentement de EXM

| No. | Revisions | Date | By/Par |
|-----|-----------|------|--------|
|     |           |      |        |
|     |           |      |        |
|     |           |      |        |
|     |           |      |        |
|     |           |      |        |



|  |                       |   |
|--|-----------------------|---|
|  Tél: (450) 979-4373<br>Fax: (450) 979-4626<br><a href="http://www.exmweb.com">www.exmweb.com</a> |                       | Flatness<br>Aplatissement<br>Max 3.0mm<br>Projection<br> |
| Customer Client  | Date                  |   |
| Drawn By / Dessiné Par: BoxCad: BoxCad   | Date: 7/19/2022       |   |
| Material / Matière: 16 Ga Cold Rolled A1008 CS Type B (1.4mm)  |                       |   |
| Color / Couleur: Asa-61 Grey   | Finish / Fini: Smooth |   |
| Description: 1100DFPN 36" x 30" Cover  |                       | Detail Rev.   |
| Part Number / Numéro Pièce: <b>1100DFP363012NC</b>   | Rev.: <b>0</b>        | 10 / 10   |

| Qty        | Part Number       | Rev | Description                         |
|------------|-------------------|-----|-------------------------------------|
| 1          | STK-S-00950       | 1   | UL 74SL Pull-Box Sticker            |
| 1          | STK-S-00800       | 2   | CSA Electrical Box Sticker          |
| 1          | 1100DFP363012NC-P | 0   | 1100DFPN 36" x 30" Cover Part       |
| 1          | STK-P-02400S      | 0   | Powder Paint (Asa-61 Grey / Smooth) |
| Parts List |                   |     |                                     |