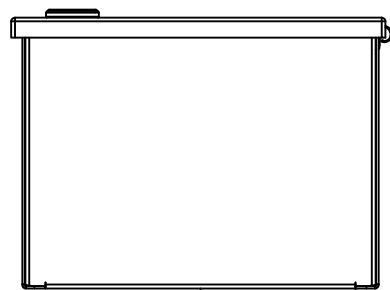
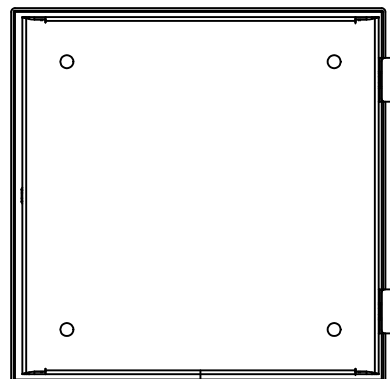


This drawing is confidential and must not be reproduced or used without the consent of EXM

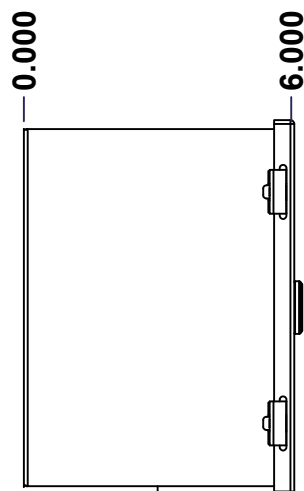
Ce dessin est confidentiel et ne doit pas être reproduit ou utilisé sans le consentement de EXM



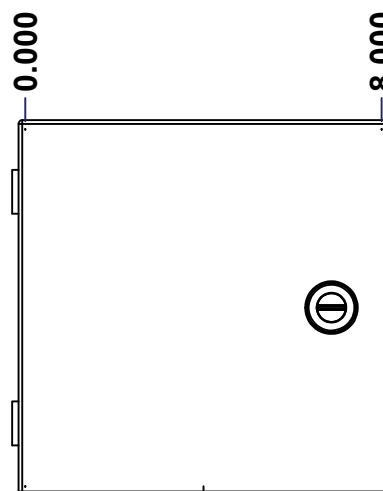
TOP



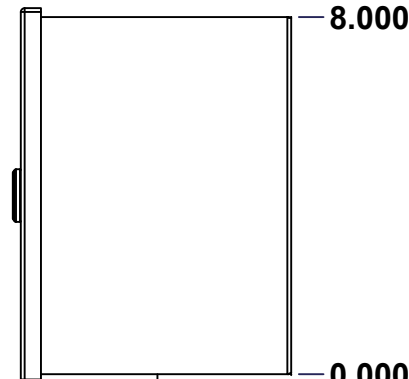
BACK



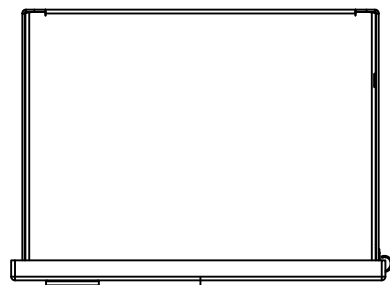
LEFT



FRONT

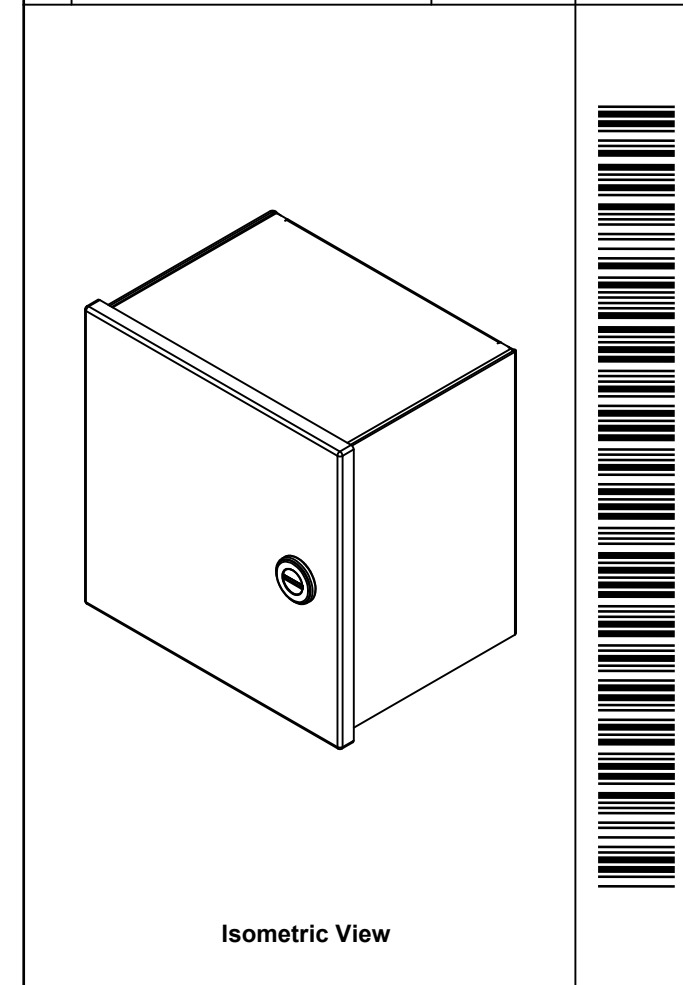


RIGHT




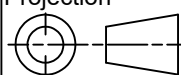
BOTTOM

| No. | Revisions | Date | By/Par |
|-----|-----------|------|--------|
|     |           |      |        |
|     |           |      |        |
|     |           |      |        |
|     |           |      |        |



Isometric View



|  |                           |   |
|--|---------------------------|---|
|  Tél: (450) 979-4373<br>Fax: (450) 979-4626<br><a href="http://www.exmweb.com">www.exmweb.com</a> |                           | Flatness<br>Aplatissement<br>Max 3.0mm<br>Projection<br> |
| Customer Client  | Date                      |   |
| Drawn By<br>Dessiné Par  | BoxCad: BoxCad            | Date 24-Jan-14  |
| Material<br>Matière  | 16 Ga H.R.P. & O. (1.4mm) |   |
| Color<br>Couleur   | Asa-61 Grey               | Finish<br>Fini Smooth   |
| Description  | Detail Rev.               |   |
| 1100EN 8" x 8" x 6" Assembly   |                           |   |
| Part Number<br>Numéro Pièce  | Rev. 0                    | 1<br>2  |
| <b>1100E080806N</b>  |                           |   |

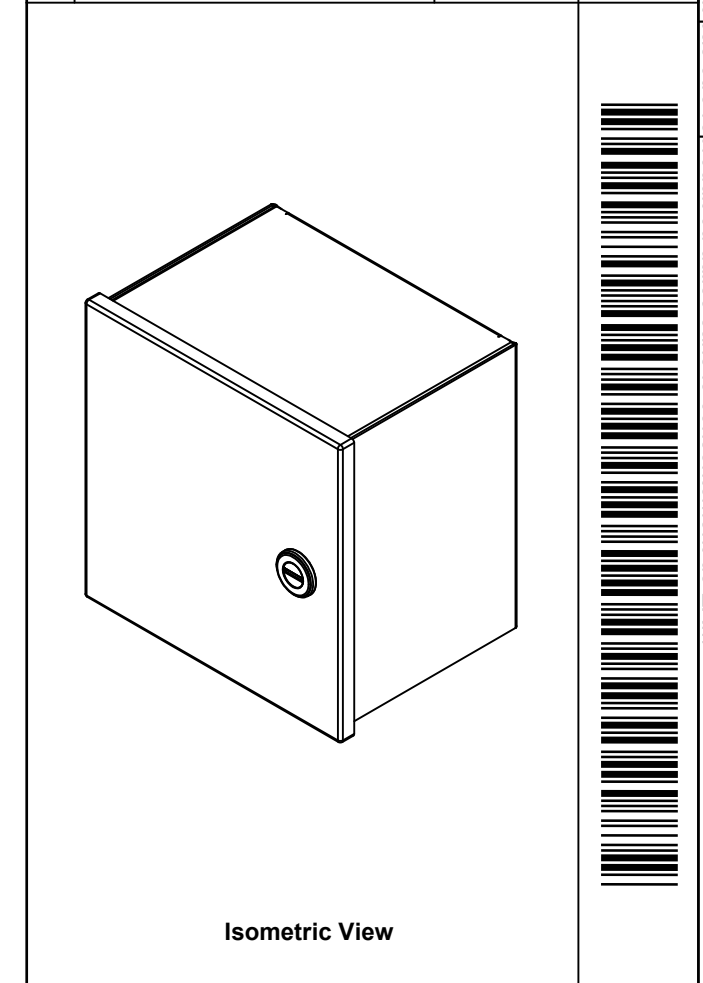
SEE BILL OF MATERIAL ON LAST PAGE

This drawing is confidential and must not be reproduced or used without the consent of EXM

Ce dessin est confidentiel et ne doit pas être reproduit ou utilisé sans le consentement de EXM

| NOTE |  |
|------|--|
| ITEM | DESCRIPTION                                    |
| 1    | NEMA 1 Enclosure                               |
| 2    | C/W Standard ground provision on box and cover |
| 3    | W/O Standard door stiffener                    |
| 4    | W/O Inner panel                                |
| 5    | W/O Inner panel mounting provision             |

| No. | Revisions | Date | By/Par |
|-----|-----------|------|--------|
|     |           |      |        |
|     |           |      |        |
|     |           |      |        |
|     |           |      |        |
|     |           |      |        |
|     |           |      |        |



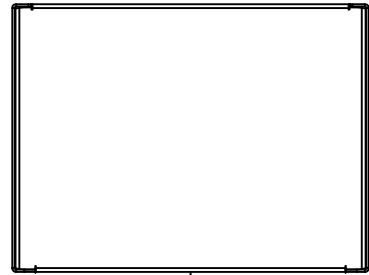
|   |  |  |  |  |  |
|---|--|--|--|--|--|
|   |  | Tél: (450) 979-4373<br>Fax: (450) 979-4626<br><a href="http://www.exmweb.com">www.exmweb.com</a> |  | Flatness<br>Aplatissement<br>Max 3.0mm |  |
| Customer<br>Client                          |  | Date   |  | Projection<br>                         |  |
| Drawn By<br>Dessiné Par                     |  | BoxCad: BoxCad   |  | Date 24-Jan-14                         |  |
| Material<br>Matière                         |  | 16 Ga H.R.P. & O. (1.4mm)  |  |  |  |
| Color<br>Couleur                            |  | Asa-61 Grey  |  | Finish<br>Fini Smooth                  |  |
| Description<br>1100EN 8" x 8" x 6" Assembly |  |  |  | Detail Rev.                            |  |
| Part Number<br>Numéro Pièce                 |  |  |  | Rev. 2<br><b>0</b>                     |  |
| <b>1100E080806N</b>                         |  |  |  | 2                                      |  |

| PACKING              |     |   |
|----------------------|-----|---|
| ITEM                 | QTY | DESCRIPTION                             |
| Thermal plastic film | 1   | Use with Packing Tunnel Wrapper Machine |
| Packaging label      | 1   | White label with product number         |

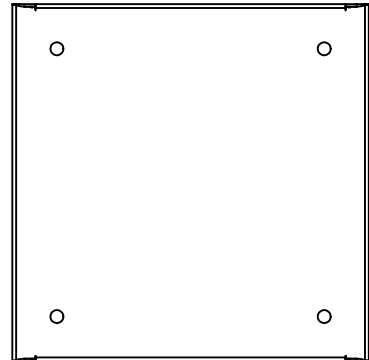
| Qty        | Part Number   | Rev | Description              |
|------------|---------------|-----|--------------------------|
| 1          | 1100E080806NC | 0   | 1100EN 8" x 8" Cover     |
| 1          | 1100E080806NB | 0   | 1100EN 8" x 8" x 6" Body |
| Parts List |               |     |                          |

This drawing is confidential and must not be reproduced or used without the consent of EXM

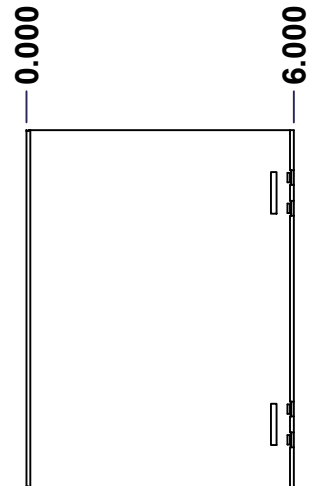
Ce dessin est confidentiel et ne doit pas être reproduit ou utilisé sans le consentement de EXM



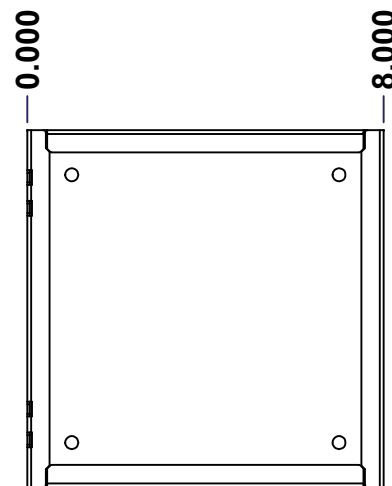
TOP



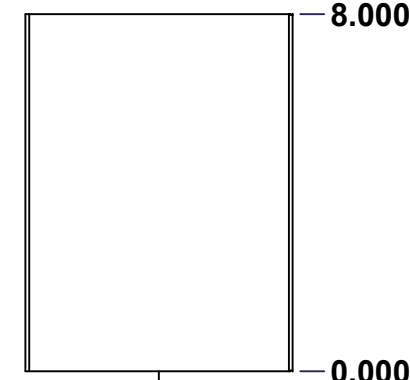
BACK



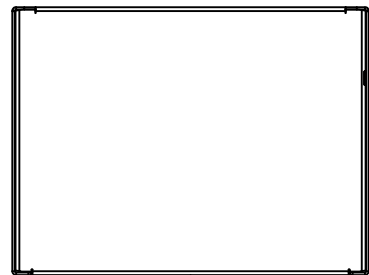
LEFT



FRONT

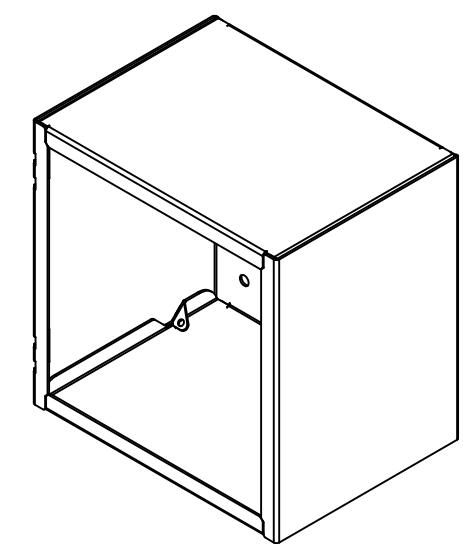


RIGHT



BOTTOM

| No. | Revisions | Date | By/Par |
|-----|-----------|------|--------|
|     |           |      |        |
|     |           |      |        |
|     |           |      |        |
|     |           |      |        |



Isometric View



Tél: (450) 979-4373  
 Fax: (450) 979-4626  
[www.exmweb.com](http://www.exmweb.com)

Flatness  
 Aplatissement  
 Max 3.0mm  
 Projection

|  |                       |
|--|-----------------------|
| Customer Client                                  | Date                  |
| Drawn By / Dessiné Par: BoxCad: BoxCad           | Date: 24-Jan-14       |
| Material / Matière: 16 Ga H.R.P. & O. (1.4mm)    |                       |
| Color / Couleur: Asa-61 Grey                     | Finish / Fini: Smooth |
| Description: 1100EN 8" x 8" x 6" Body            | Detail Rev.           |
| Part Number / Numéro Pièce: <b>1100E080806NB</b> | Rev. 0                |

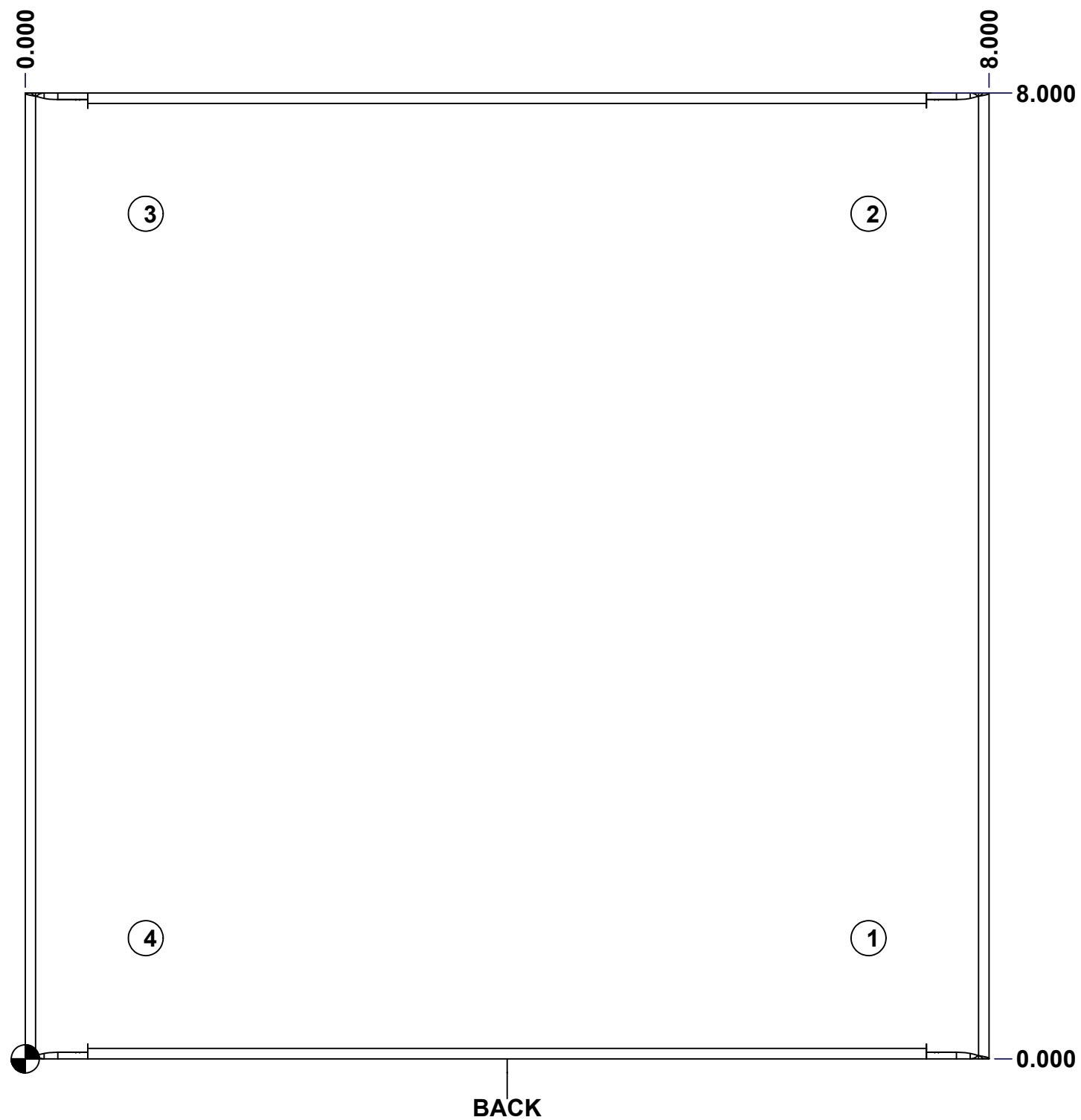
SEE BILL OF MATERIAL ON LAST PAGE

1  
7

This drawing is confidential and must not be reproduced or used without the consent of EXM

Ce dessin est confidentiel et ne doit pas être reproduit ou utilisé sans le consentement de EXM

| STANDARD FEATURES ARE NOT LISTED IN THIS HOLE TABLE |       |       |             |
|---|-------|-------|-------------|
| HOLE TABLE - BACK VIEW (CUSTOM FEATURE ONLY)        |       |       |             |
| CUT-OUT   | XDIM  | YDIM  | DESCRIPTION |
| 1   | 7.000 | 1.000 | RND Ø0.290  |
| 2   | 7.000 | 7.000 | RND Ø0.290  |
| 3   | 1.000 | 7.000 | RND Ø0.290  |
| 4   | 1.000 | 1.000 | RND Ø0.290  |

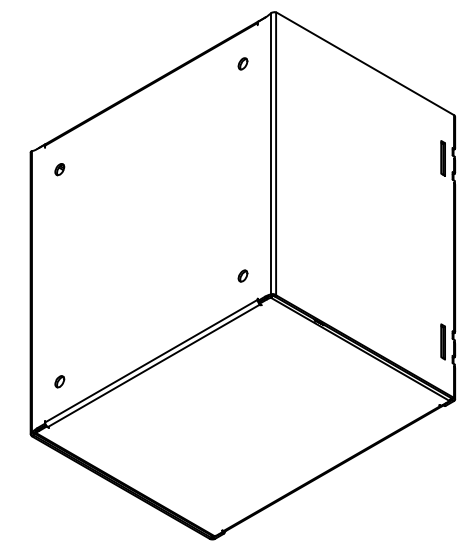


|  |                             |          |   |
|--|-----------------------------|----------|---|
|  | Description                 | Status   |   |
|  | 1100EN 8" x 8" x 6" Body    | (NULL)   |   |
|  | Part Number<br>Numéro Pièce | Rev.     | 6 |
|  | <b>1100E080806NB</b>        | <b>0</b> | 7 |

This drawing is confidential and must not be reproduced or used without the consent of EXM


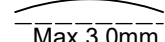
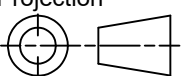
Ce dessin est confidentiel et ne doit pas être reproduit ou utilisé sans le consentement de EXM

| No. | Revisions | Date | By/Par |
|-----|-----------|------|--------|
|     |           |      |        |
|     |           |      |        |
|     |           |      |        |
|     |           |      |        |
|     |           |      |        |



Isometric View



|  |                       |   |
|--|-----------------------|---|
|  Tél: (450) 979-4373<br>Fax: (450) 979-4626<br><a href="http://www.exmweb.com">www.exmweb.com</a> |                       | Flatness<br>Aplatissement<br> Max 3.0mm<br>Projection<br> |
| Customer Client  | Date                  |   |
| Drawn By / Dessiné Par: BoxCad: BoxCad   | Date: 24-Jan-14       |   |
| Material / Matière: 16 Ga H.R.P. & O. (1.4mm)  |                       |   |
| Color / Couleur: Asa-61 Grey   | Finish / Fini: Smooth |   |
| Description: 1100EN 8" x 8" x 6" Body  |                       | Detail Rev.   |
| Part Number / Numéro Pièce: <b>1100E080806NB</b>   |                       | Rev. 7  |
|  |                       | 0 / 7   |

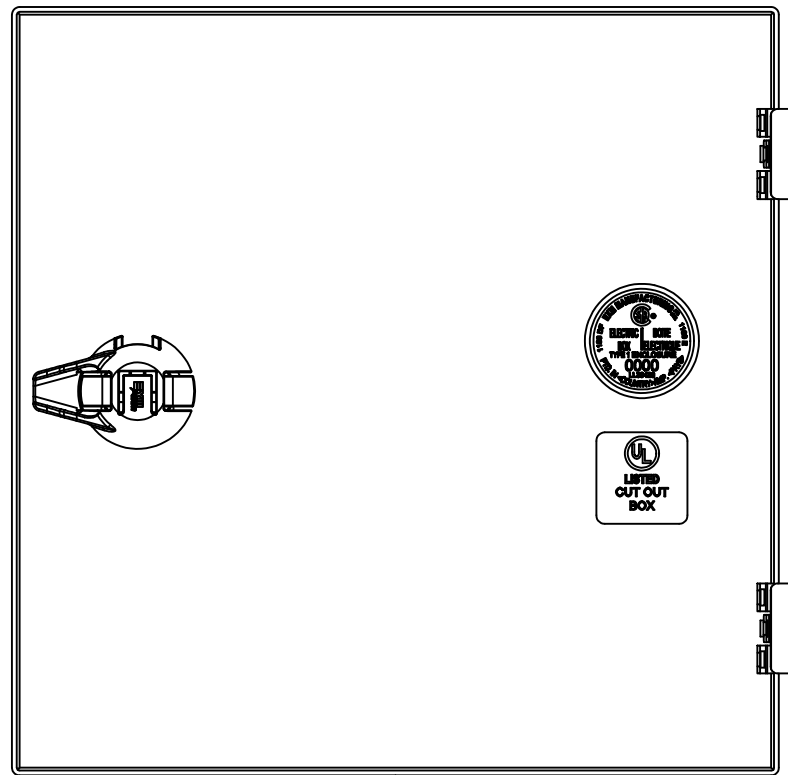
| Qty        | Part Number     | Rev | Description                         |
|------------|-----------------|-----|-------------------------------------|
| 1          | STK-P-02400S    | 0   | Powder Paint (Asa-61 Grey / Smooth) |
| 1          | 1100E080806NB-P | 0   | 1100EN 8" x 8" x 6" Body Part       |
| Parts List |                 |     |                                     |

This drawing is confidential and must not be reproduced or used without the consent of EXM

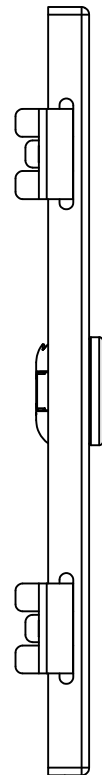
Ce dessin est confidentiel et ne doit pas être reproduit ou utilisé sans le consentement de EXM



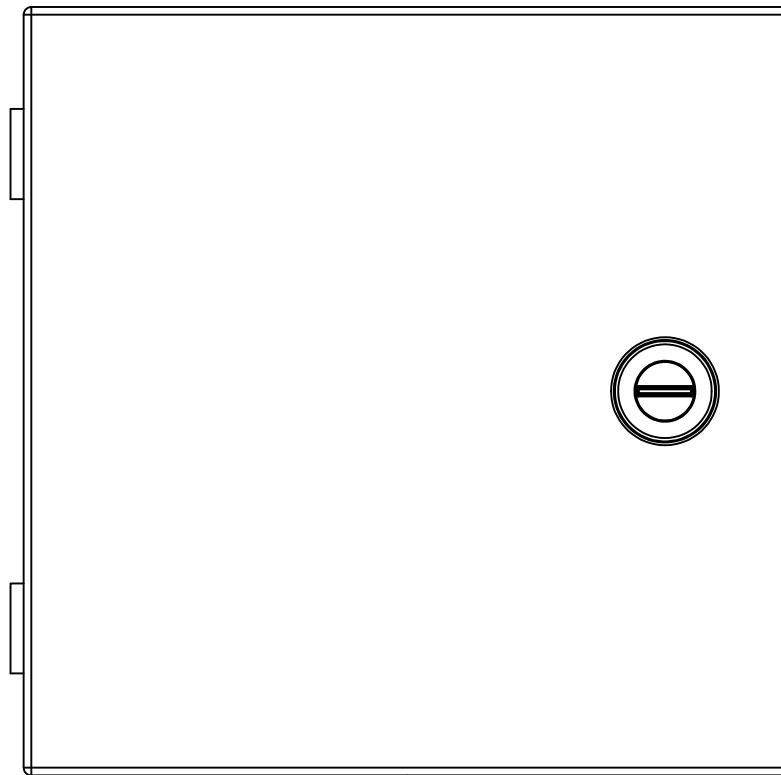
TOP



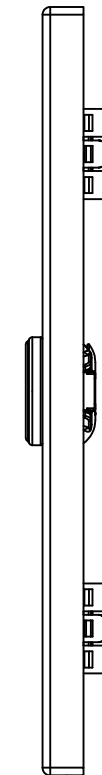
BACK



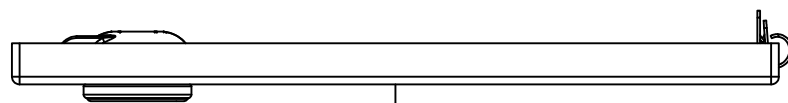
LEFT



FRONT

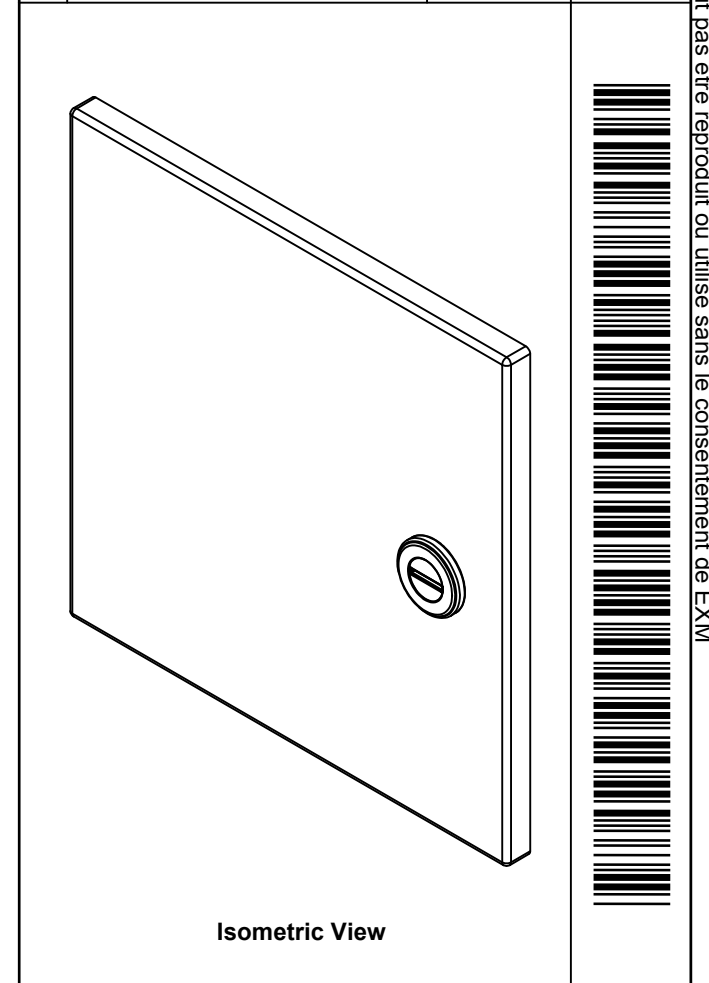


RIGHT




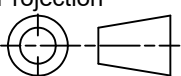
BOTTOM

| No. | Revisions | Date | By/Par |
|-----|-----------|------|--------|
|     |           |      |        |
|     |           |      |        |
|     |           |      |        |
|     |           |      |        |



Isometric View



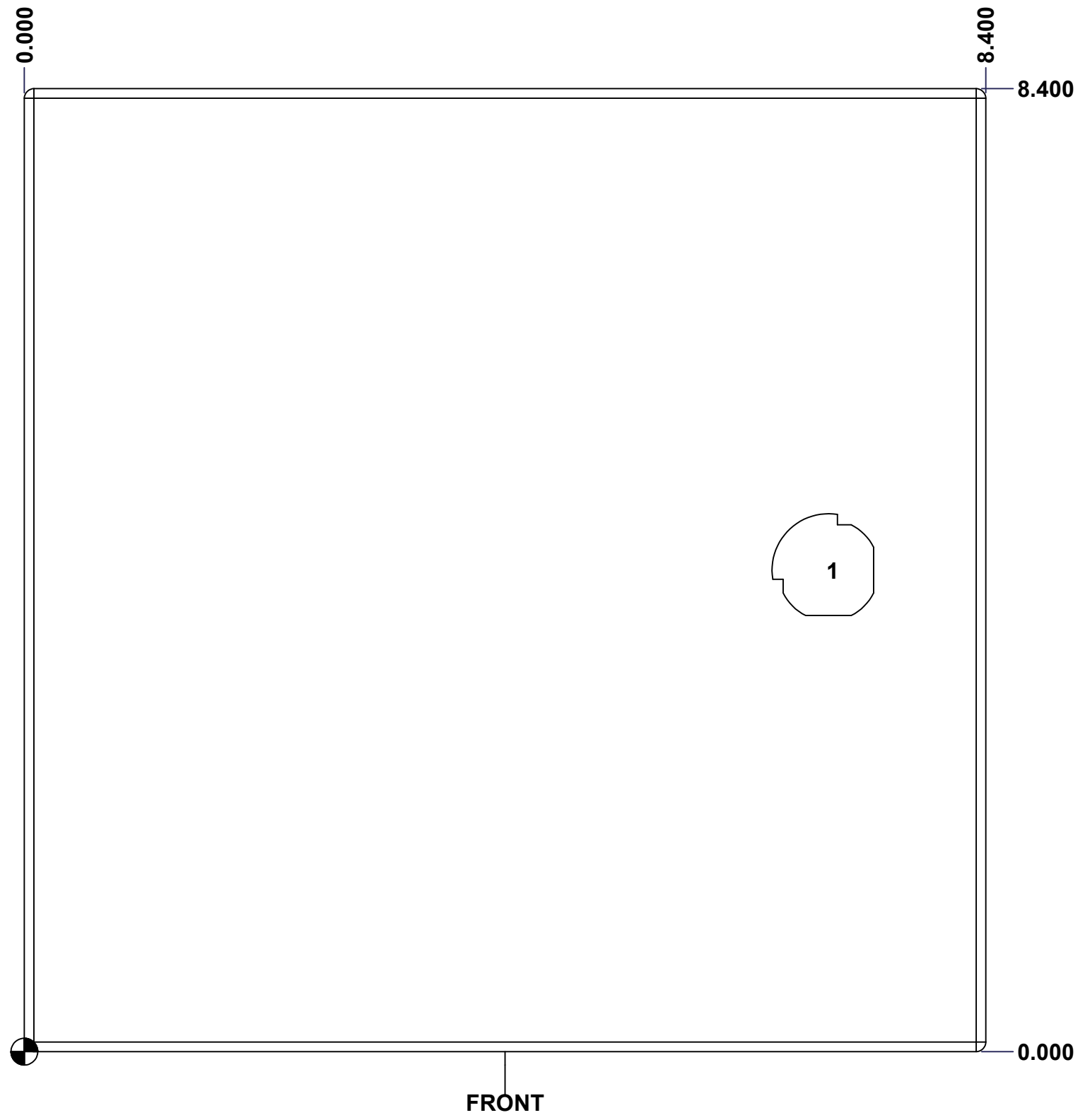
|  |                           |   |
|--|---------------------------|---|
|  Tél: (450) 979-4373<br>Fax: (450) 979-4626<br><a href="http://www.exmweb.com">www.exmweb.com</a> |                           | Flatness<br>Aplatissement<br>Max 3.0mm<br>Projection<br> |
| Customer Client  | Date                      |   |
| Drawn By<br>Dessiné Par  | BoxCad: BoxCad            | Date 24-Jan-14  |
| Material<br>Matière  | 16 Ga H.R.P. & O. (1.4mm) |   |
| Color<br>Couleur   | Asa-61 Grey               | Finish<br>Fini Smooth   |
| Description  | Detail Rev.               |   |
| 1100EN 8" x 8" Cover   |                           |   |
| Part Number<br>Numéro Pièce  | Rev. 0                    | 1 / 3   |
| <b>1100E080806NC</b>   |                           |   |

SEE BILL OF MATERIAL ON LAST PAGE

This drawing is confidential and must not be reproduced or used without the consent of EXM

Ce dessin est confidentiel et ne doit pas être reproduit ou utilisé sans le consentement de EXM

| STANDARD FEATURES ARE NOT LISTED IN THIS HOLE TABLE |       |       |                         |
|---|-------|-------|-------------------------|
| HOLE TABLE - FRONT VIEW (CUSTOM FEATURE ONLY)       |       |       |                         |
| CUT-OUT   | XDIM  | YDIM  | DESCRIPTION             |
| 1   | 7.025 | 4.200 | LOCK 880 SCQ1-SL @ 0.0° |

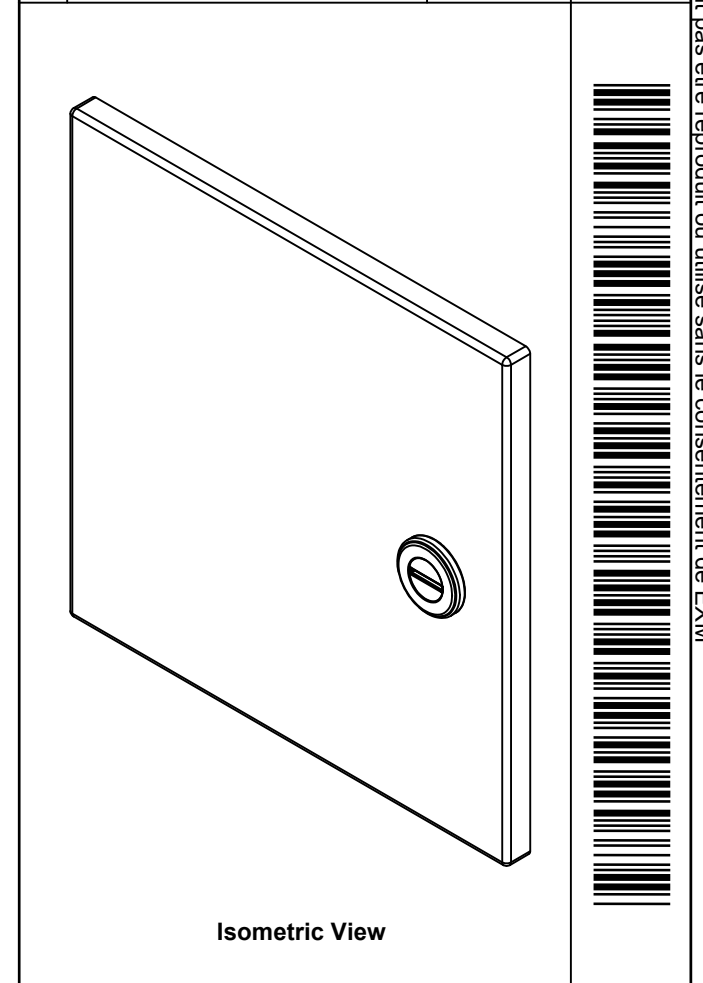


|  |                             |          |        |
|--|-----------------------------|----------|--------|
|  | Description                 | Status   |        |
|  | 1100EN 8" x 8" x 6" Cover   | (NULL)   |        |
|  | Part Number<br>Numéro Pièce | Rev.     |        |
|  | <b>1100E080806NC</b>        | <b>0</b> | 2<br>3 |

This drawing is confidential and must not be reproduced or used without the consent of EXM

Ce dessin est confidentiel et ne doit pas être reproduit ou utilisé sans le consentement de EXM

| No. | Revisions | Date | By/Par |
|-----|-----------|------|--------|
|     |           |      |        |
|     |           |      |        |
|     |           |      |        |
|     |           |      |        |
|     |           |      |        |



|  |  |                           |             |
|--|--|---------------------------|-------------|
| Tél: (450) 979-4373<br>Fax: (450) 979-4626<br><a href="http://www.exmweb.com">www.exmweb.com</a> |  | Flatness<br>Aplatissement |             |
|  |  | Max 3.0mm<br>Projection   |             |
| Customer<br>Client   |  | Date                      |             |
| Drawn By<br>Dessiné Par BoxCad: BoxCad   |  | Date 24-Jan-14            |             |
| Material<br>Matière 16 Ga H.R.P. & O. (1.4mm)  |  |                           |             |
| Color<br>Couleur Asa-61 Grey   |  | Finish<br>Fini Smooth     |             |
| Description<br>1100EN 8" x 8" Cover  |  |                           | Detail Rev. |
| Part Number<br>Numéro Pièce<br><b>1100E080806NC</b>  |  | Rev. <b>0</b>             | 3<br>3      |

| Qty        | Part Number     | Rev | Description                         |
|------------|-----------------|-----|-------------------------------------|
| 1          | 880 SCQ1-SL     | 0   | 1100 1/4 Turn Lock                  |
| 1          | STK-S-00900     | 0   | UL Cut-Out Box Sticker              |
| 1          | STK-S-00800     | 2   | CSA Electrical Box Sticker          |
| 2          | STK-Q-33361     | 0   | Spring Steel Hinge                  |
| 1          | 1100E080806NC-P | 0   | 1100EN 8" x 8" x 6" Cover Part      |
| 1          | STK-P-02400S    | 0   | Powder Paint (Asa-61 Grey / Smooth) |
| Parts List |                 |     |                                     |