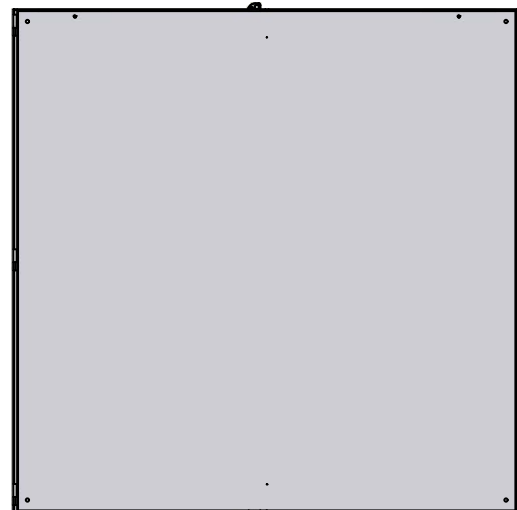


This drawing is confidential and must not be reproduced or used without the consent of EXM

Ce dessin est confidentiel et ne doit pas être reproduit ou utilisé sans le consentement de EXM



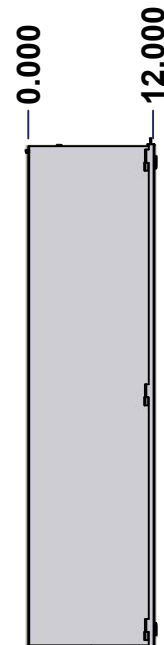
TOP



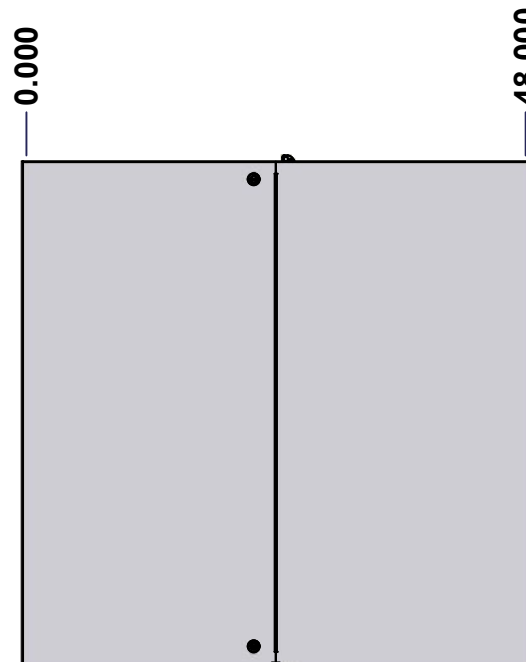
BACK



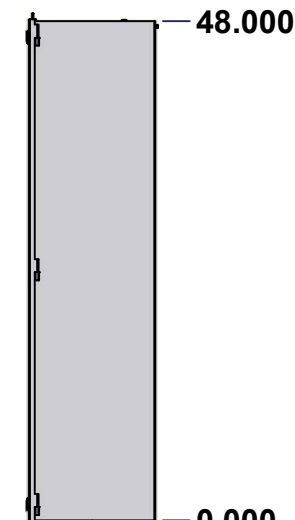
BOTTOM



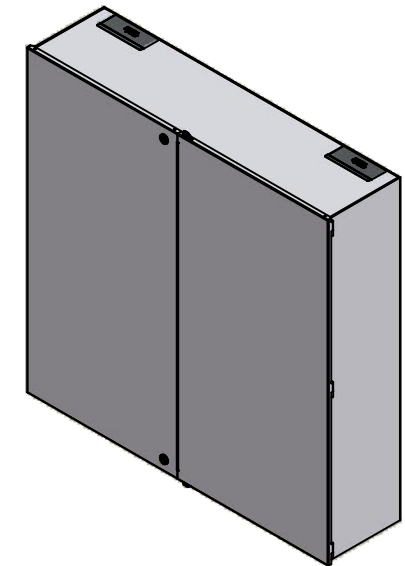
LEFT



FRONT




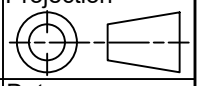
RIGHT



Isometric View



No.	Revisions	Date	By/Par

 Tél: (450) 979-4373 Fax: (450) 979-4626 www.exmweb.com		Flatness Aplatissement Max 3.0mm Projection 
Customer Client	Date	
Drawn By Dessiné Par	BoxCad: HunterZ	Date 11/30/2022
Material Matière	14 Ga Cold Rolled A1008 CS Type B (1.7mm)	
Color Couleur	Asa-61 Grey	Finish Fini Smooth
Description	Detail Rev.	
1100MCDD 48" x 48" x 12" Assembly		
Part Number Numéro Pièce	Rev. 0	1 / 11

SEE BILL OF MATERIAL ON LAST PAGE

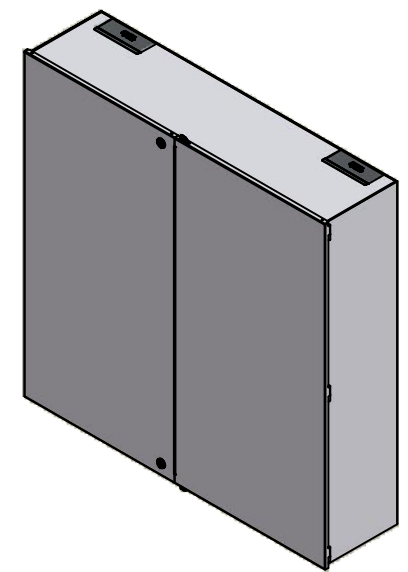
1100MCDD484812

This drawing is confidential and must not be reproduced or used without the consent of EXM

Ce dessin est confidentiel et ne doit pas être reproduit ou utilisé sans le consentement de EXM

NOTE	
ITEM	DESCRIPTION
1	NEMA 1 Enclosure
2	C/W Inner panel (Included)
3	C/W Standard inner panel mounting studs

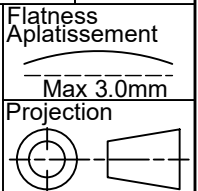
No.	Revisions	Date	By/Par



Isometric View



Tél: (450) 979-4373
 Fax: (450) 979-4626
www.exmweb.com



Customer Client	Date
Drawn By / Dessiné Par: BoxCad: HunterZ	Date: 11/30/2022

Material / Matière: 14 Ga Cold Rolled A1008 CS Type B (1.7mm)

Color / Couleur: Asa-61 Grey	Finish / Fini: Smooth
------------------------------	-----------------------

Description: 1100MCDD 48" x 48" x 12" Assembly

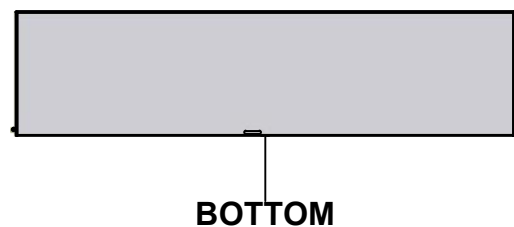
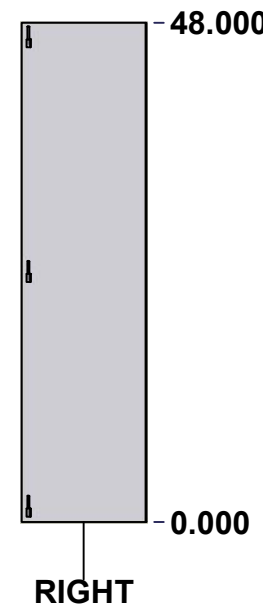
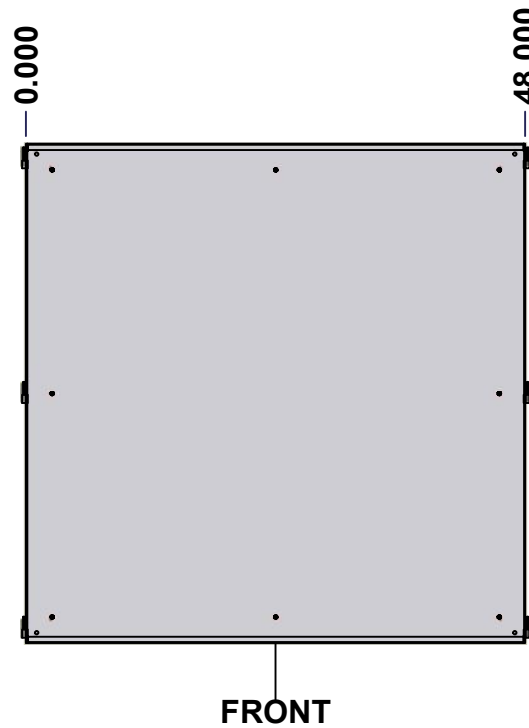
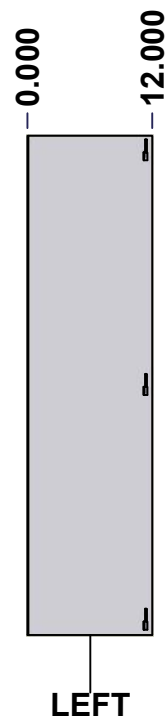
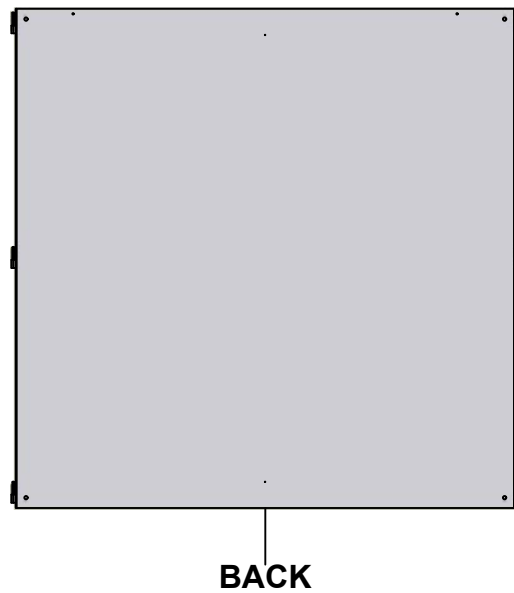
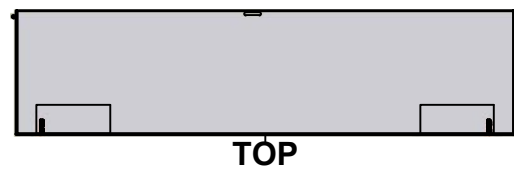
Part Number / Numéro Pièce: 1100MCDD484812	Rev. 0	2 / 11
---	--------	--------

Qty	Part Number	Rev	Description
1	1100MCDD484812IP	0	1100MCDD 48" x 48" Inner Panel
16	STK-Q-07310	2	Flange Lock Nut M8
2	STK-Q-05020	5	M5 x 8mm Thread Rolling Screw
2	STK-Q-79000	5	1100MC Cover Plate
1	1100MCDD484812RD	0	1100MCDD 48" x 48" Flange Door
1	1100MCDD484812LD	0	1100MCDD 48" x 48" Lock Door
1	1100MCDD484812B	0	1100MCDD 48" x 48" x 12" Body
Parts List			

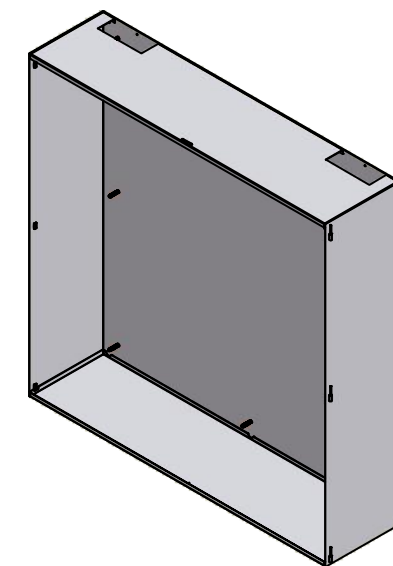
PACKING		
ITEM	QTY	DESCRIPTION
Cardboard sleeve	2	Top and Bottom
Plastic strap - Black	2	To Squeeze 2 cardboard sleeve together
Packaging label	3	White label with PN


This drawing is confidential and must not be reproduced or used without the consent of EXM

Ce dessin est confidentiel et ne doit pas être reproduit ou utilisé sans le consentement de EXM



No.	Revisions	Date	By/Par



 Tél: (450) 979-4373 Fax: (450) 979-4626 www.exmweb.com		Flatness Aplatissement	
		Max 3.0mm	
Customer Client		Date	
Drawn By Dessiné Par BoxCad: HunterZ		Date 11/30/2022	
Material Matière 14 Ga H.R.P. & O. (1.7mm)			
Color Couleur Asa-61 Grey		Finish Fini Smooth	
Description 1100MCDD 48" x 48" x 12" Body			Detail Rev.
Part Number Numéro Pièce 1100MCDD484812B		Rev. 0	3 11

SEE BILL OF MATERIAL ON LAST PAGE

This drawing is confidential and must not be reproduced or used without the consent of EXM

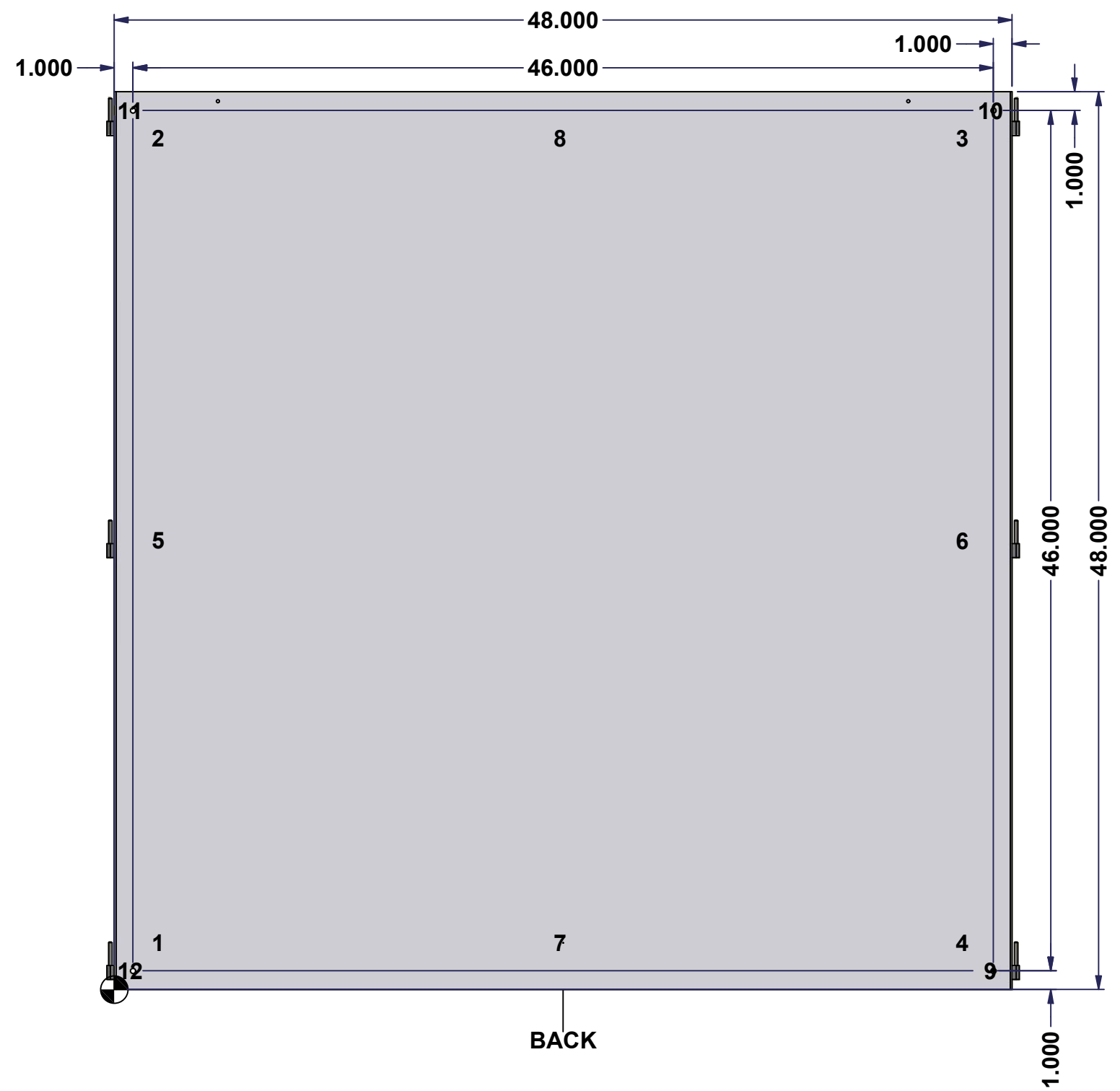
Ce dessin est confidentiel et ne doit pas être reproduit ou utilisé sans le consentement de EXM

STANDARD FEATURES ARE NOT LISTED IN THIS HOLE TABLE

HOLE TABLE - BACK VIEW (CUSTOM FEATURE ONLY)

CUT-OUT	XDIM	YDIM	DESCRIPTION
1	2.500	2.500	IP STUD M8 x 35mm (Inside)
2	2.500	45.500	IP STUD M8 x 35mm (Inside)
3	45.500	45.500	IP STUD M8 x 35mm (Inside)
4	45.500	2.500	IP STUD M8 x 35mm (Inside)
5	2.500	24.000	IP STUD M8 x 35mm (Inside)
6	45.500	24.000	IP STUD M8 x 35mm (Inside)
7	24.000	2.500	IP STUD M8 x 35mm (Inside)
8	24.000	45.500	IP STUD M8 x 35mm (Inside)

9	47.000	1.000	RND Ø0.290
10	47.000	47.000	RND Ø0.290
11	1.000	47.000	RND Ø0.290
12	1.000	1.000	RND Ø0.290

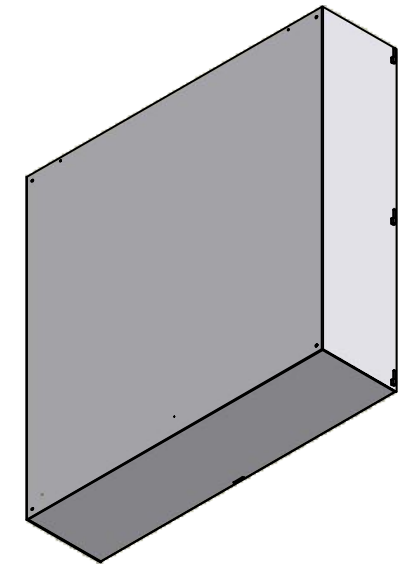


	Description	Status	
	1100MCDD 48" x 48" x 12" Body	(NULL)	
	Part Number Numéro Pièce	Rev.	4
	1100MCDD484812B	0	11

This drawing is confidential and must not be reproduced or used without the consent of EXM


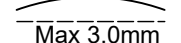
Ce dessin est confidentiel et ne doit pas être reproduit ou utilisé sans le consentement de EXM

No.	Revisions	Date	By/Par



Isometric View

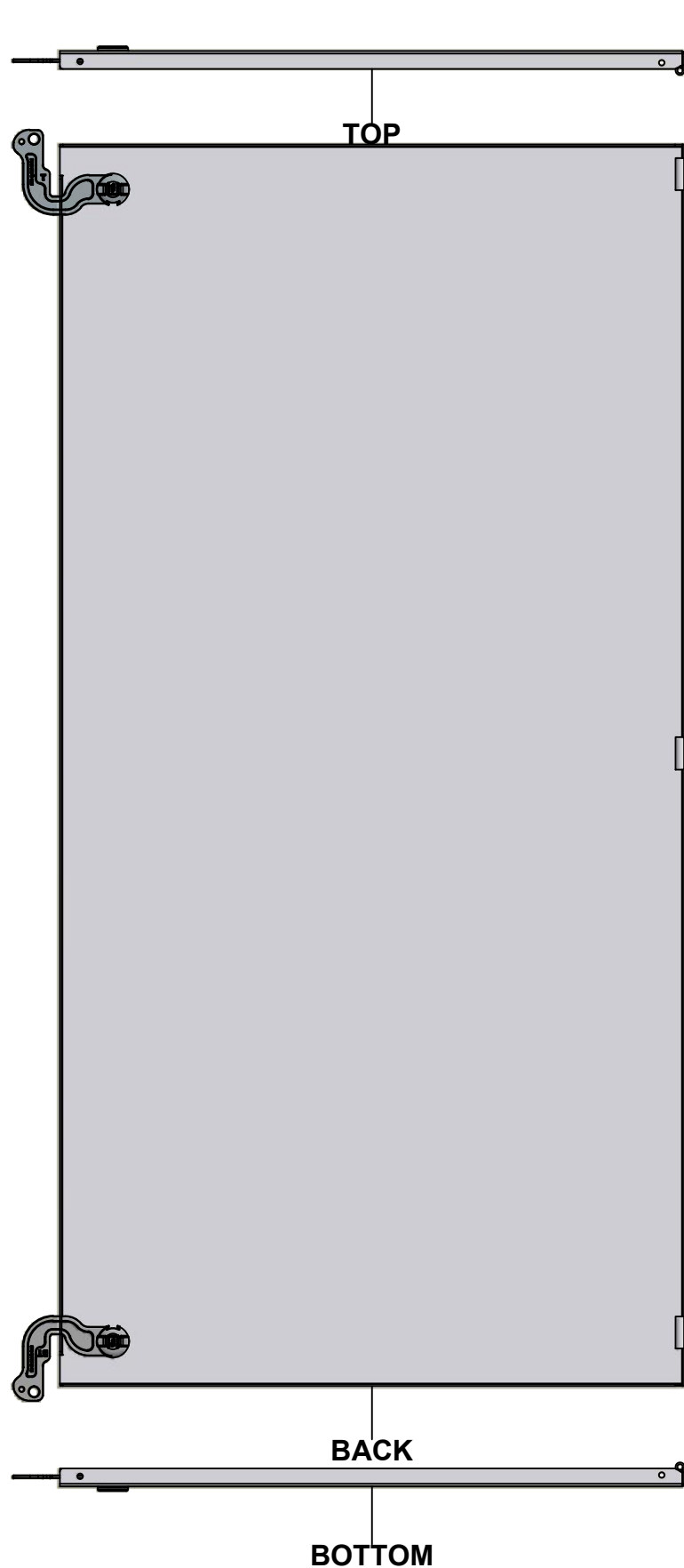


 Tél: (450) 979-4373 Fax: (450) 979-4626 www.exmweb.com		Flatness Aplatissement  Max 3.0mm
Customer Client		Date
Drawn By / Dessiné Par: BoxCad: HunterZ		Date: 11/30/2022
Material / Matière: 14 Ga H.R.P. & O. (1.7mm)		
Color / Couleur: Asa-61 Grey	Finish / Fini: Smooth	
Description: 1100MCDD 48" x 48" x 12" Body		Detail Rev.
Part Number / Numéro Pièce: 1100MCDD484812B		Rev. 5 0 / 11

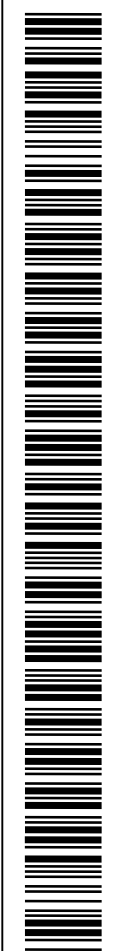
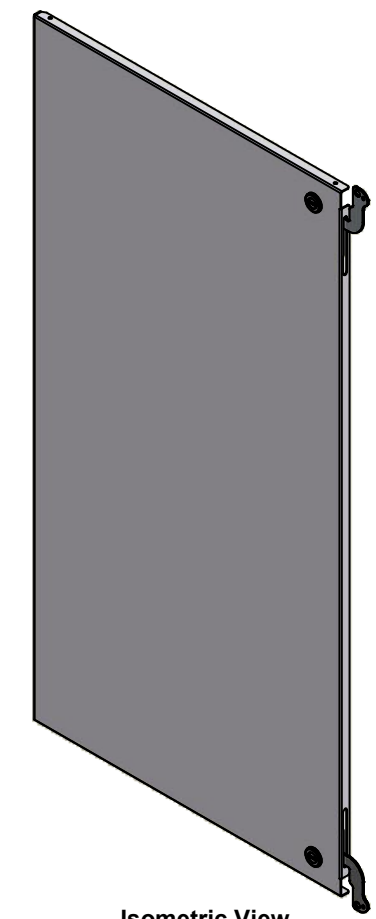
Qty	Part Number	Rev	Description
1	STK-P-02400S	0	Powder Paint (Asa-61 Grey / Smooth)
8	STK-Q-16005	1	Stud M8 x 35 (No Paint Cap Required)
3	STK-Q-33410	1	1100MC Left Side Hinge (Short)
1	1100MCDD484812B-P	0	1100MCDD 48" x 48" x 12" Body Part
3	STK-Q-33510	1	1100MC Right Side Hinge (Short)
1	1100MCDD484812T-P	0	1100MCDD 48" x 48" x 12" Top Part
1	1100MCDD484812BT-P	0	1100MCDD 48" x 48" x 12" Bottom Part
Parts List			

This drawing is confidential and must not be reproduced or used without the consent of EXM

Ce dessin est confidentiel et ne doit pas être reproduit ou utilisé sans le consentement de EXM



No.	Revisions	Date	By/Par



Isometric View



Tél: (450) 979-4373
 Fax: (450) 979-4626
www.exmweb.com

Flatness
Aplatissement
Max 3.0mm
Projection

Customer Client
 Drawn By Dessiné Par BoxCad: HunterZ
 Date 11/30/2022

Material Matière 14 Ga Cold Rolled A1008 CS Type B (1.7mm)

Color Couleur Asa-61 Grey
 Finish Fini Smooth

Description 1100MCDD 48" x 48" Lock Door
 Detail Rev.

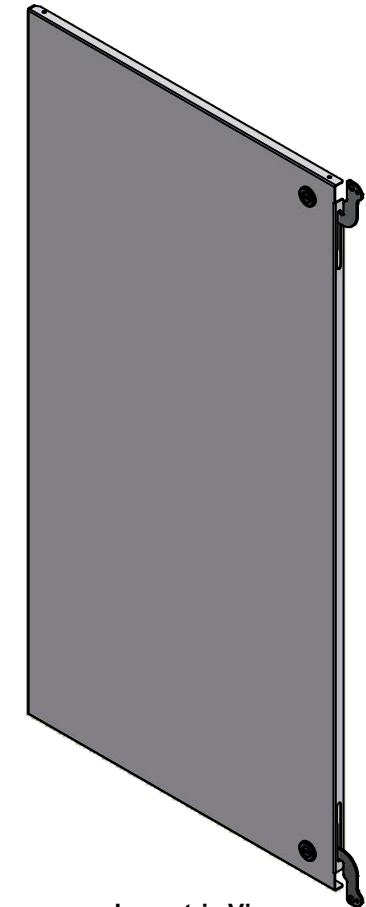
Part Number Numéro Pièce 1100MCDD484812LD
 Rev. 0

SEE BILL OF MATERIAL ON LAST PAGE

This drawing is confidential and must not be reproduced or used without the consent of EXM


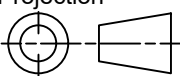
Ce dessin est confidentiel et ne doit pas être reproduit ou utilisé sans le consentement de EXM

No.	Revisions	Date	By/Par



Isometric View

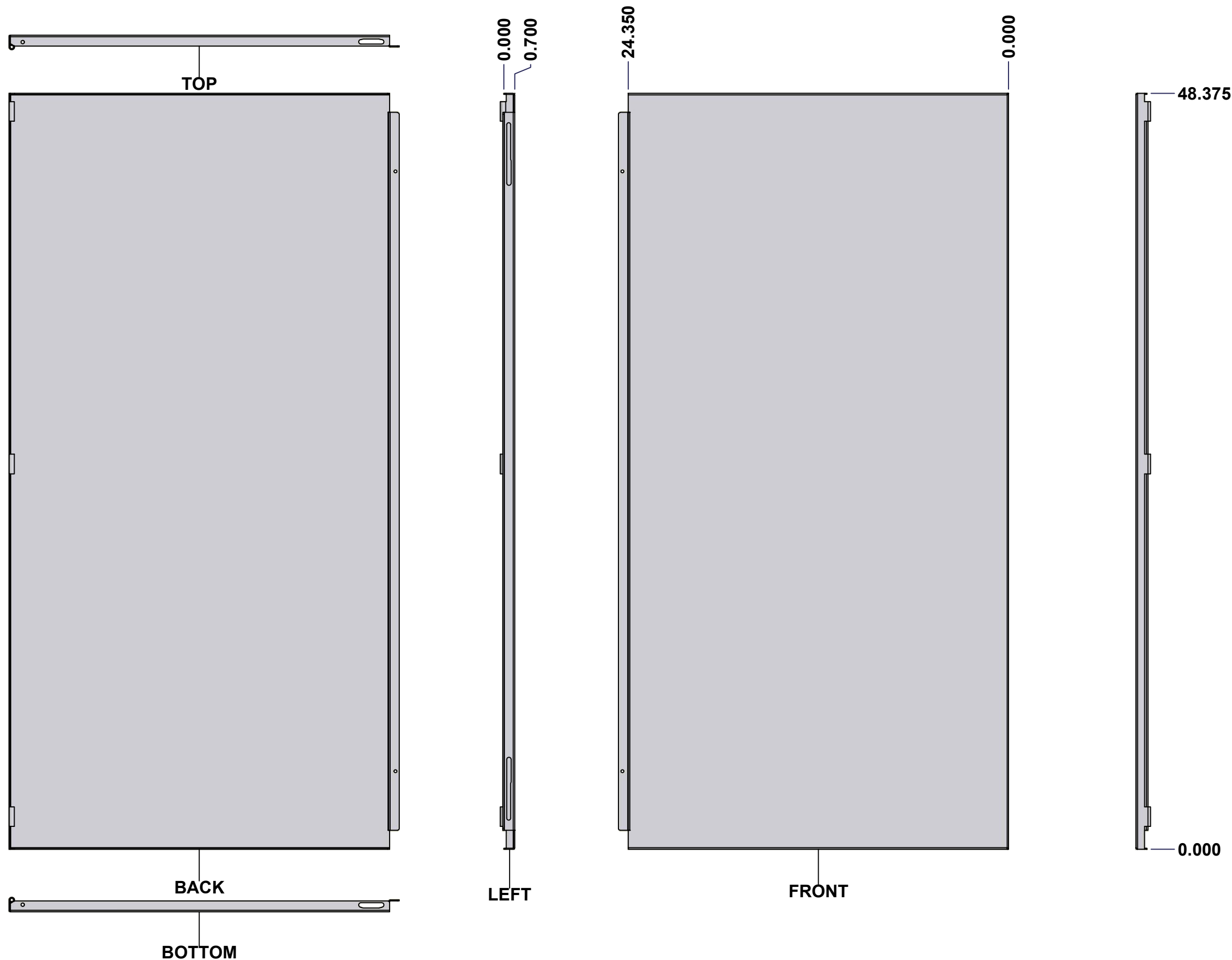


 Tél: (450) 979-4373 Fax: (450) 979-4626 www.exmweb.com		Flatness Aplatissement Max 3.0mm Projection 
Customer Client	Date	
Drawn By Dessiné Par	BoxCad: HunterZ	Date 11/30/2022
Material Matière	14 Ga Cold Rolled A1008 CS Type B (1.7mm)	
Color Couleur	Asa-61 Grey	Finish Fini Smooth
Description		Detail Rev.
1100MCDD 48" x 48" Lock Door		
Part Number Numéro Pièce	Rev.	7
1100MCDD484812LD	0	11

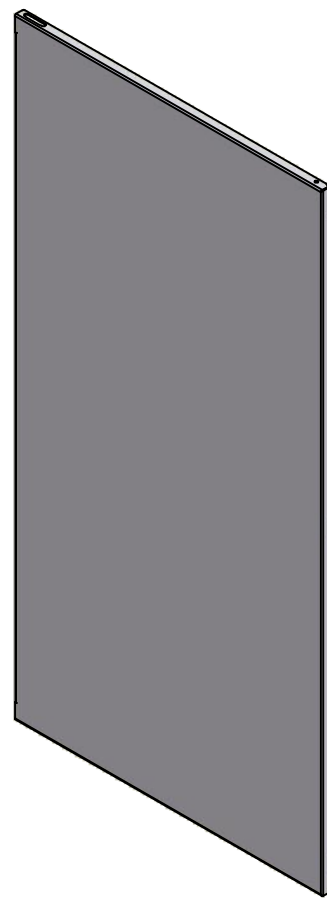
Qty	Part Name	Rev	Description
1	STK-P-02400S	0	Powder Paint (Asa-61 Grey / Smooth)
1	STK-Q-78642	6	1100 MC - Lower Closing Cam
1	STK-Q-78643	6	1100 MC - Upper Closing Cam
2	STK-Q-78631	2	1100 SS 1/4 Turn Lock - Insert
1	1100MCDD484812LD-P	0	1100MCDD 48" x 48" x 12" Lock Cover Part
Parts List			

This drawing is confidential and must not be reproduced or used without the consent of EXM


Ce dessin est confidentiel et ne doit pas être reproduit ou utilisé sans le consentement de EXM




No.	Revisions	Date	By/Par



Isometric View



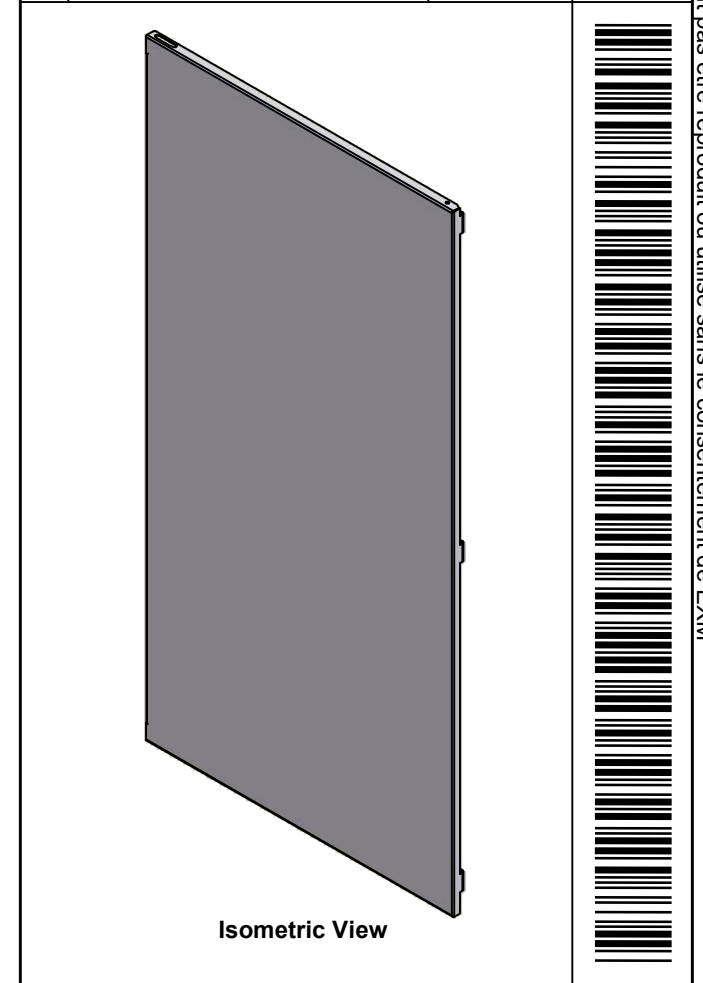
 Tél: (450) 979-4373 Fax: (450) 979-4626 www.exmweb.com		Flatness Aplatissement	
		Max 3.0mm	
Customer Client		Date	
Drawn By Dessiné Par BoxCad: HunterZ		Date 11/30/2022	
Material Matière 14 Ga Cold Rolled A1008 CS Type B (1.7mm)			
Color Couleur Asa-61 Grey		Finish Fini Smooth	
Description 1100MCDD 48" x 48" Flange Door			Detail Rev.
Part Number Numéro Pièce 1100MCDD484812RD		Rev. 0	8 / 11


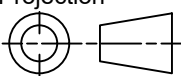
SEE BILL OF MATERIAL ON LAST PAGE

This drawing is confidential and must not be reproduced or used without the consent of EXM

Ce dessin est confidentiel et ne doit pas être reproduit ou utilisé sans le consentement de EXM

No.	Revisions	Date	By/Par

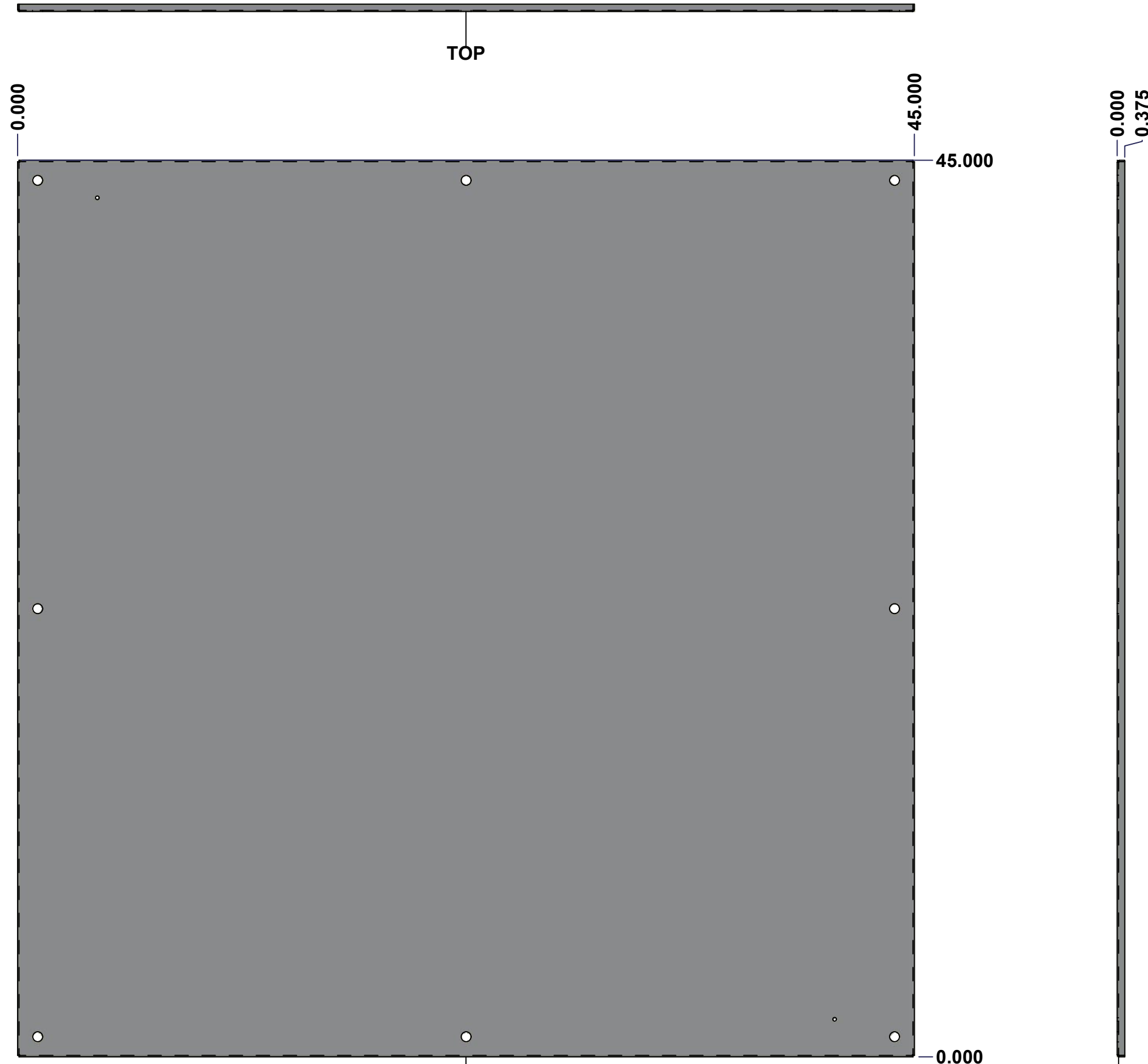


 Tél: (450) 979-4373 Fax: (450) 979-4626 www.exmweb.com		Flatness Aplatissement Max 3.0mm Projection 
Customer Client	Date	
Drawn By Dessiné Par	BoxCad: HunterZ	Date 11/30/2022
Material Matière	14 Ga Cold Rolled A1008 CS Type B (1.7mm)	
Color Couleur	Asa-61 Grey	Finish Fini Smooth
Description		Detail Rev.
1100MCDD 48" x 48" Flange Door		
Part Number Numéro Pièce		Rev. 9
1100MCDD484812RD		0 / 11

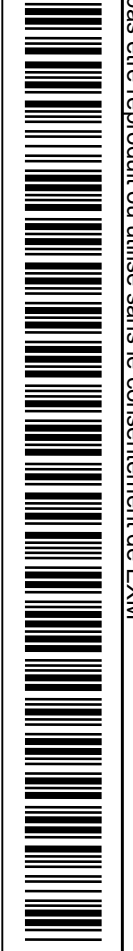
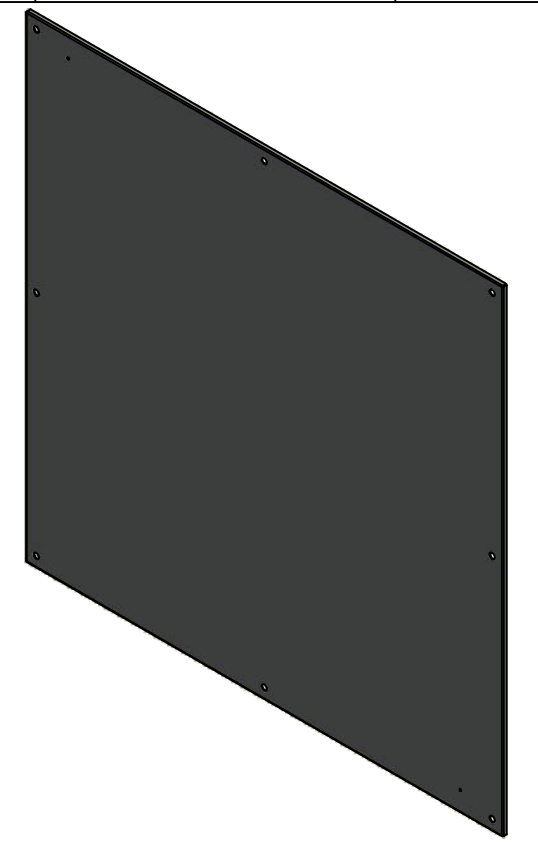
Qty	Part Name	Rev	Description
1	STK-P-02400S	0	Powder Paint (Asa-61 Grey / Smooth)
1	1100MCDD484812RD-P	0	1100MCDD 48" x 48" x 12" Flange Cover Part
Parts List			

This drawing is confidential and must not be reproduced or used without the consent of EXM


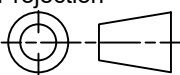
Ce dessin est confidentiel et ne doit pas être reproduit ou utilisé sans le consentement de EXM



No.	Revisions	Date	By/Par



Isometric View

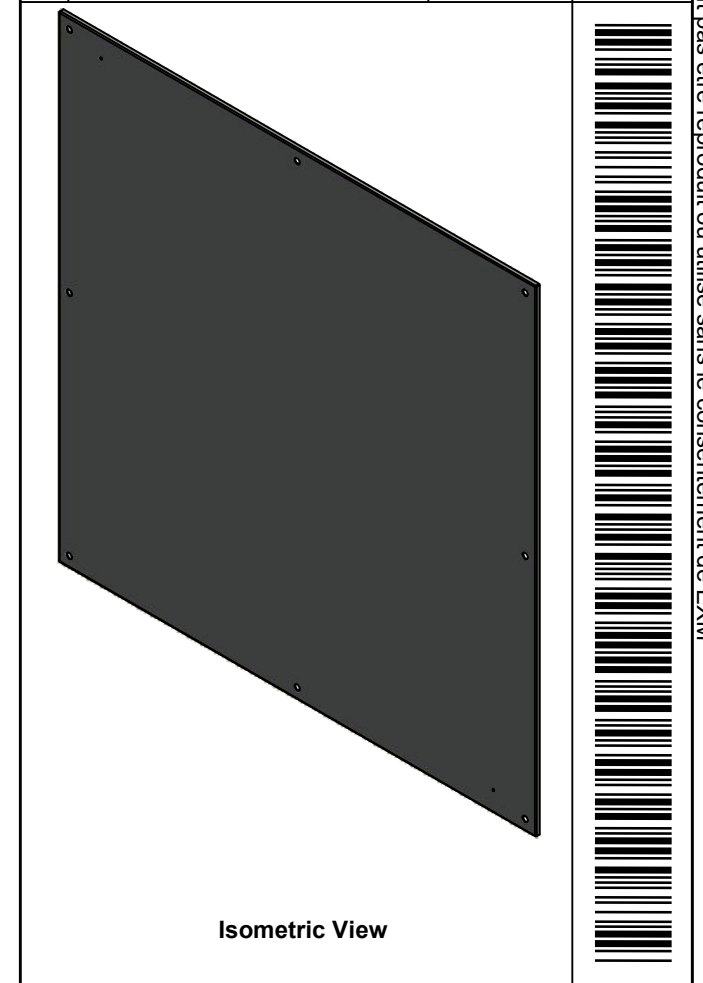
 Tél: (450) 979-4373 Fax: (450) 979-4626 www.exmweb.com	Flatness Aplatissement	Max 3.0mm
	Projection	
Customer Client	Date	
Drawn By Dessiné Par	BoxCad: HunterZ	Date 11/30/2022
Material Matière	12 Ga Galvanized (2.5mm)	
Color Couleur	Unpainted	Finish Fini Unpainted
Description	Detail Rev.	
1100MCDD 48" x 48" Inner Panel		
Part Number Numéro Pièce	Rev.	10
1100MCDD484812IP	0	11


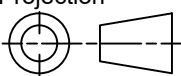
SEE BILL OF MATERIAL ON LAST PAGE

This drawing is confidential and must not be reproduced or used without the consent of EXM

Ce dessin est confidentiel et ne doit pas être reproduit ou utilisé sans le consentement de EXM

No.	Revisions	Date	By/Par



 Tél: (450) 979-4373 Fax: (450) 979-4626 www.exmweb.com		Flatness Aplatissement Max 3.0mm
Customer Client		Projection 
Drawn By / Dessiné Par: BoxCad: HunterZ		Date: 11/30/2022
Material / Matière: 12 Ga Galvanized (2.5mm)		
Color / Couleur: Unpainted	Finish / Fini: Unpainted	
Description: 1100MCDD 48" x 48" Inner Panel		Detail Rev.
Part Number / Numéro Pièce: 1100MCDD484812IP		Rev. 0 / 11

Qty	Part Number	Rev	Description
1	1100MCDD484812IP-P	0	1100MCDD 48" x 48" Inner Panel Part
Parts List			