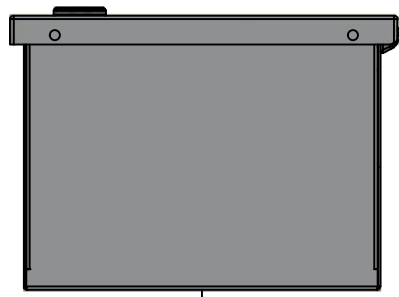
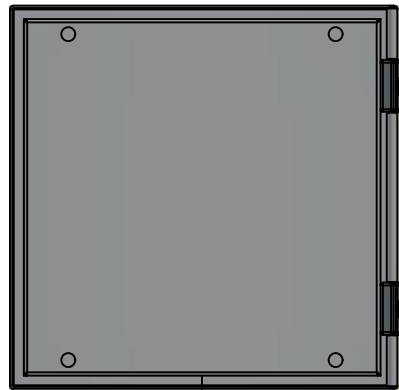


This drawing is confidential and must not be reproduced or used without the consent of EXM

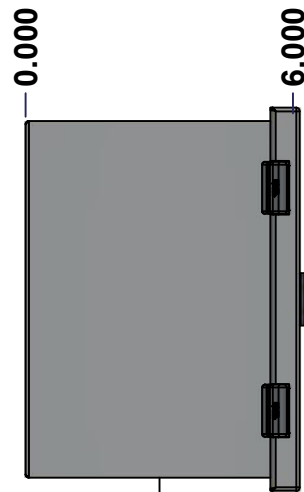
Ce dessin est confidentiel et ne doit pas être reproduit ou utilisé sans le consentement de EXM



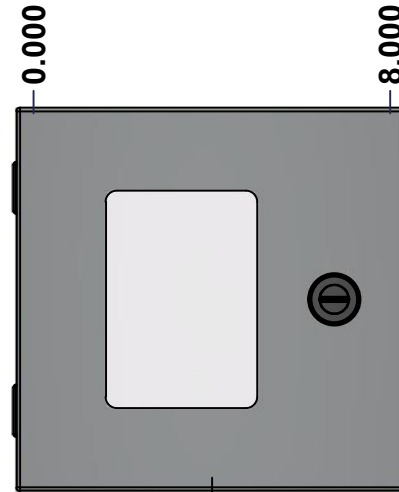
TOP



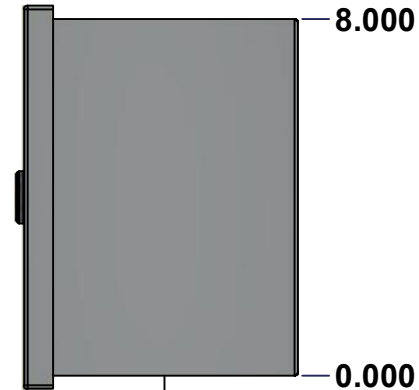
BACK



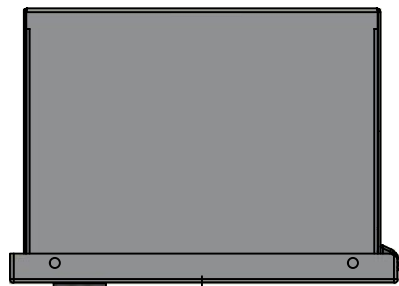
LEFT



FRONT

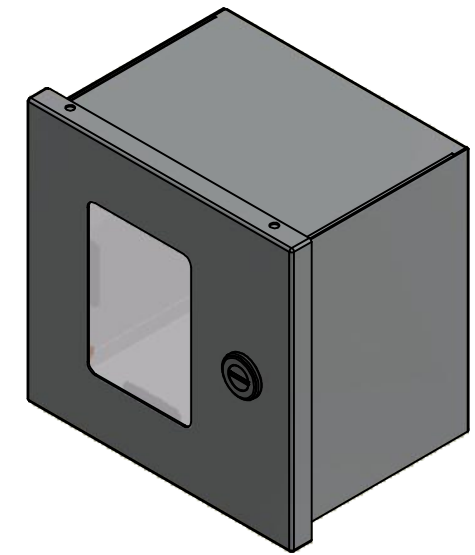


RIGHT



BOTTOM

| No. | Revisions | Date | By/Par |
|-----|-----------|------|--------|
|     |           |      |        |
|     |           |      |        |
|     |           |      |        |
|     |           |      |        |



Isometric View



Tél: (450) 979-4373  
 Fax: (450) 979-4626  
[www.exmweb.com](http://www.exmweb.com)

Flatness  
Aplatissement

Max 3.0mm

Projection



|   |                  |
|---|------------------|
| Customer Client   | Date             |
| Drawn By / Dessiné Par: BoxCad: BoxCad                        | Date: 2013-12-26 |
| Material / Matière: 16 Ga Cold Rolled A1008 CS Type B (1.4mm) |                  |

|                              |                       |
|------------------------------|-----------------------|
| Color / Couleur: Asa-61 Grey | Finish / Fini: Smooth |
|------------------------------|-----------------------|

|  |             |
|--|-------------|
| Description: 1100W 8" x 8" x 6" Assembly | Detail Rev. |
|--|-------------|

|   |        |   |   |
|---|--------|---|---|
| Part Number / Numéro Pièce: 1100W080806 | Rev. 0 | 1 | 8 |
|---|--------|---|---|

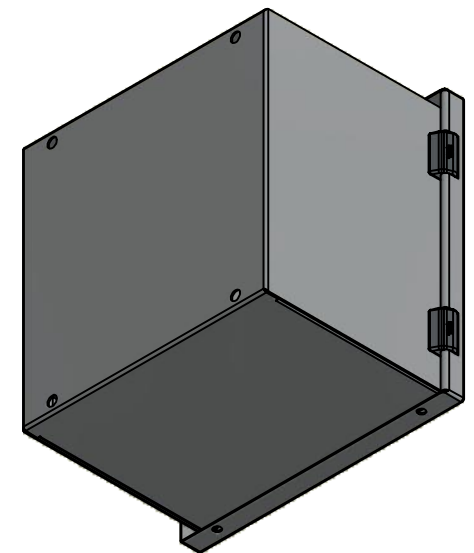
SEE BILL OF MATERIAL ON LAST PAGE

This drawing is confidential and must not be reproduced or used without the consent of EXM

Ce dessin est confidentiel et ne doit pas être reproduit ou utilisé sans le consentement de EXM

| NOTE |  |
|------|--|
| ITEM | DESCRIPTION                                    |
| 1    | NEMA 1 Enclosure                               |
| 2    | C/W Standard ground standoffs on box and cover |
| 3    | W/O Standard door stiffener                    |
| 4    | C/W Standard inner panel (Included)            |
| 5    | C/W Standard inner panel mounting standoffs    |

| No. | Revisions | Date | By/Par |
|-----|-----------|------|--------|
|     |           |      |        |
|     |           |      |        |
|     |           |      |        |
|     |           |      |        |
|     |           |      |        |
|     |           |      |        |



Isometric View

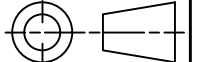


Tél: (450) 979-4373  
 Fax: (450) 979-4626  
[www.exmweb.com](http://www.exmweb.com)

Flatness  
Aplatissement

Max 3.0mm

Projection



|   |                       |
|---|-----------------------|
| Customer Client   | Date                  |
| Drawn By / Dessiné Par: BoxCad: BoxCad                        | Date: 2013-12-26      |
| Material / Matière: 16 Ga Cold Rolled A1008 CS Type B (1.4mm) |                       |
| Color / Couleur: Asa-61 Grey                                  | Finish / Fini: Smooth |

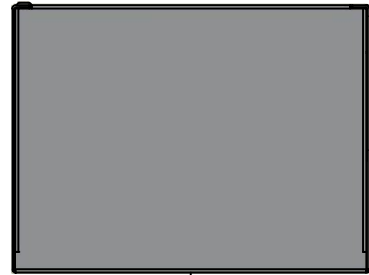
|  |             |
|--|-------------|
| Description: 1100W 8" x 8" x 6" Assembly       | Detail Rev. |
| Part Number / Numéro Pièce: <b>1100W080806</b> | Rev. 0      |
|  | 2 / 8       |

| Qty        | Part Number  | Rev | Description                            |
|------------|--------------|-----|--|
| 1          | 1100W080806B | 0   | 1100W 8" x 8" x 6" Body                |
| 1          | 1100W080806C | 0   | 1100W 8" x 8" Cover                    |
| 1          | STK-K-00200  | 1   | M6 x 8mm Hexagon/Slot Screw (Bag of 6) |
| 1          | 880 SP0808   | 0   | 880 SP0808 - Inner Panel               |
| 2          | STK-Q-08100  | 1   | M5 Nylon Insert Lock Nut               |
| Parts List |              |     |  |

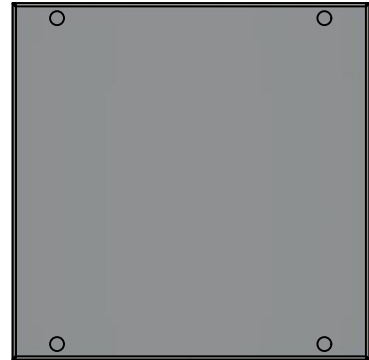
| PACKING              |     |   |
|----------------------|-----|---|
| ITEM                 | QTY | DESCRIPTION                             |
| Cardboard sleeve     | 1   | Top                                     |
| Thermal plastic film | 1   | Use with Packing Tunnel Wrapper Machine |
| Packaging label      | 1   | White label with product number         |

This drawing is confidential and must not be reproduced or used without the consent of EXM

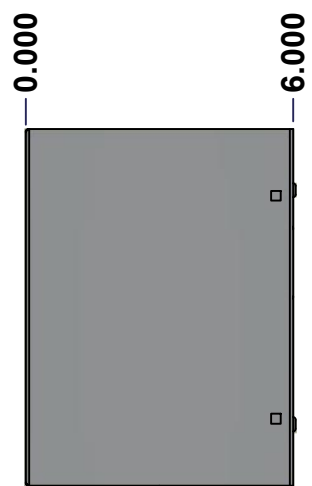
Ce dessin est confidentiel et ne doit pas être reproduit ou utilisé sans le consentement de EXM



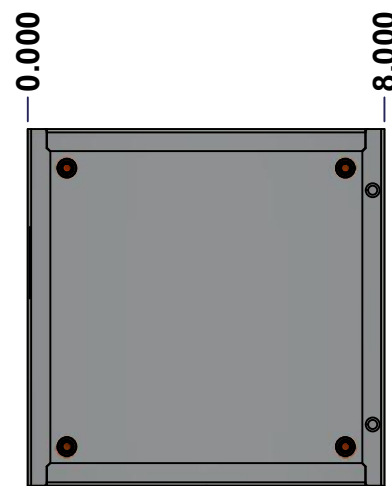
TOP



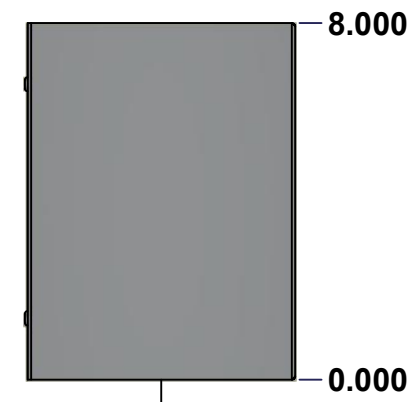
BACK



LEFT



FRONT

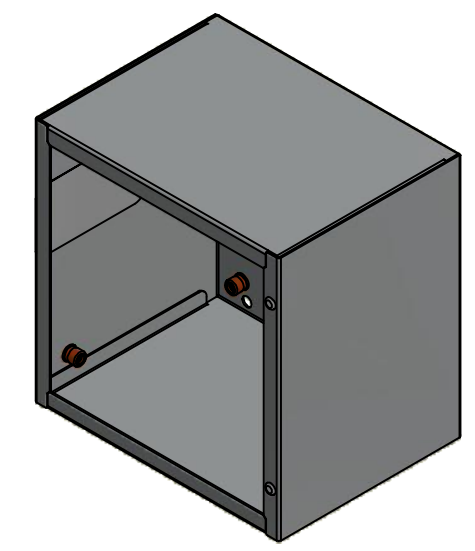


RIGHT




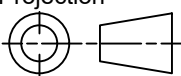
BOTTOM

| No. | Revisions | Date | By/Par |
|-----|-----------|------|--------|
|     |           |      |        |
|     |           |      |        |
|     |           |      |        |
|     |           |      |        |



Isometric View



|  |   |   |
|--|---|---|
|  Tél: (450) 979-4373<br>Fax: (450) 979-4626<br><a href="http://www.exmweb.com">www.exmweb.com</a> |   | Flatness<br>Aplatissement<br>Max 3.0mm<br>Projection<br> |
| Customer Client  | Date                                      |   |
| Drawn By<br>Dessiné Par  | BoxCad: BoxCad                            | Date 2013-12-26   |
| Material<br>Matière  | 16 Ga Cold Rolled A1008 CS Type B (1.4mm) |   |
| Color<br>Couleur   | Asa-61 Grey                               | Finish<br>Fini Smooth   |
| Description  | Detail Rev.                               |   |
| 1100W 8" x 8" x 6" Body  |   |   |
| Part Number<br>Numéro Pièce  | Rev.                                      | 3   |
| <b>1100W080806B</b>  | <b>0</b>                                  | 8   |

SEE BILL OF MATERIAL ON LAST PAGE

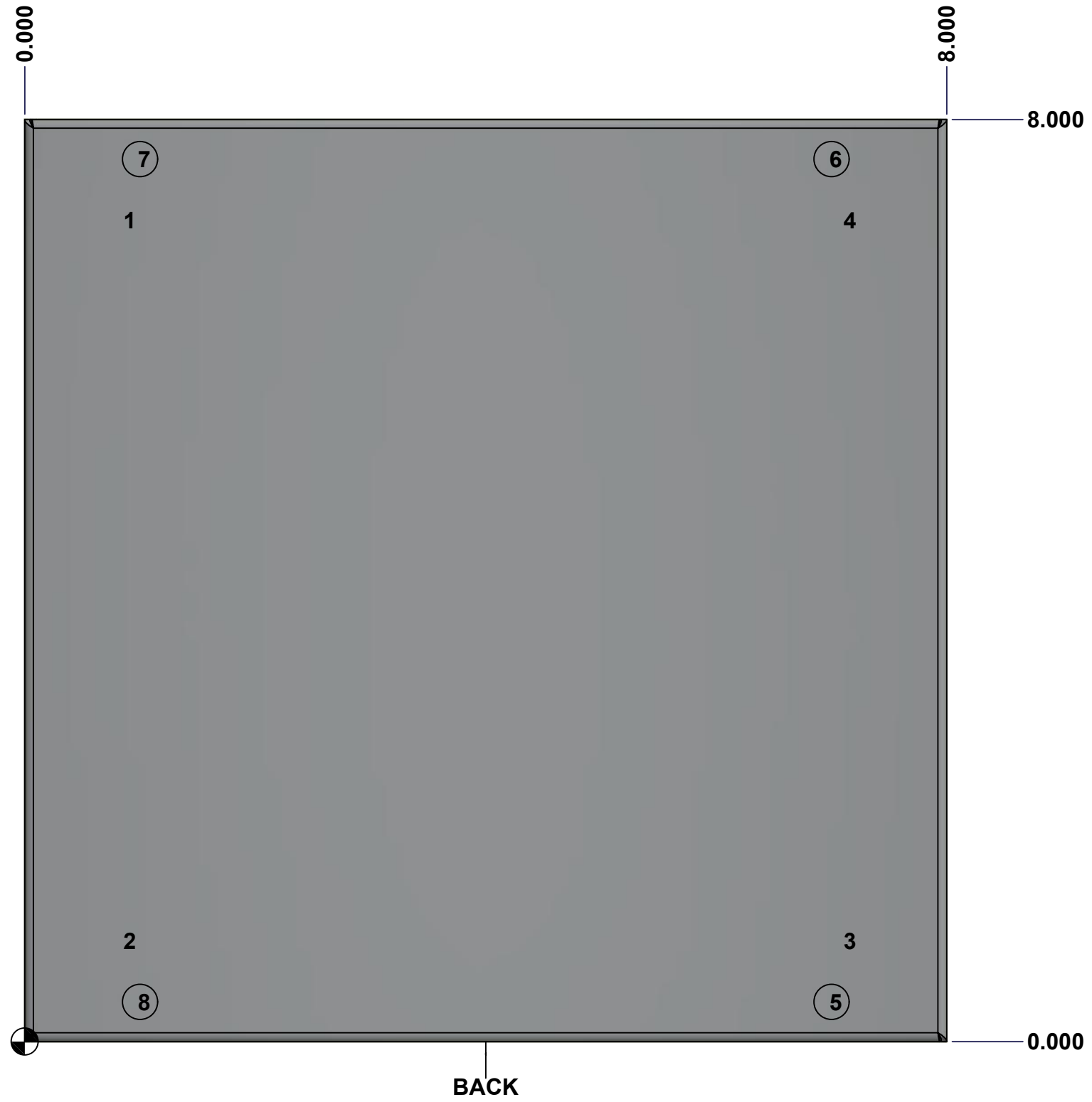
This drawing is confidential and must not be reproduced or used without the consent of EXM

Ce dessin est confidentiel et ne doit pas être reproduit ou utilisé sans le consentement de EXM

**STANDARD FEATURES ARE NOT LISTED IN THIS HOLE TABLE**

**HOLE TABLE - BACK VIEW (CUSTOM FEATURE ONLY)**

| CUT-OUT | XDIM  | YDIM  | DESCRIPTION                    |
|---------|-------|-------|--------------------------------|
| 1       | 0.875 | 7.125 | IP STANDOFF M6 x 10mm (Inside) |
| 2       | 0.875 | 0.875 | IP STANDOFF M6 x 10mm (Inside) |
| 3       | 7.125 | 0.875 | IP STANDOFF M6 x 10mm (Inside) |
| 4       | 7.125 | 7.125 | IP STANDOFF M6 x 10mm (Inside) |
| -----   |       |       |                                |
| 5       | 7.000 | 0.344 | RND Ø0.305                     |
| 6       | 7.000 | 7.656 | RND Ø0.305                     |
| 7       | 1.000 | 7.656 | RND Ø0.305                     |
| 8       | 1.000 | 0.344 | RND Ø0.305                     |

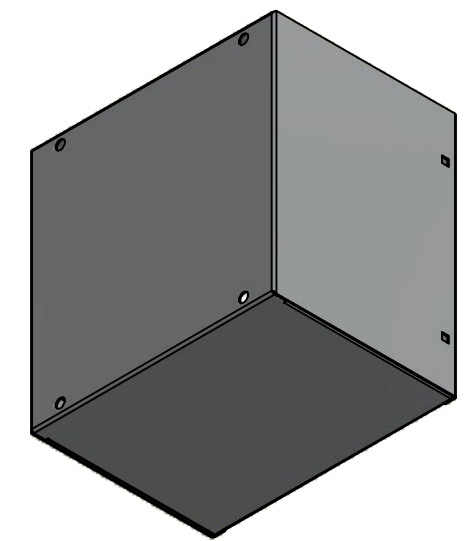


|  |                             |                  |
|--|-----------------------------|------------------|
|  | Description                 | Status           |
|  | 1100W 8" x 8" x 6" Body     | (NULL)           |
|  | Part Number<br>Numéro Pièce | Rev.             |
|  | <b>1100W080806B</b>         | <b>0</b> / 4 / 8 |


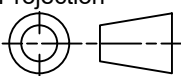
This drawing is confidential and must not be reproduced or used without the consent of EXM

Ce dessin est confidentiel et ne doit pas être reproduit ou utilisé sans le consentement de EXM

| No. | Revisions | Date | By/Par |
|-----|-----------|------|--------|
|     |           |      |        |
|     |           |      |        |
|     |           |      |        |
|     |           |      |        |
|     |           |      |        |



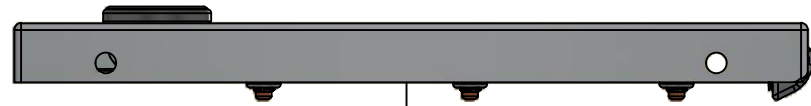
Isometric View

|  |                       |   |
|--|-----------------------|---|
|  Tél: (450) 979-4373<br>Fax: (450) 979-4626<br><a href="http://www.exmweb.com">www.exmweb.com</a> |                       | Flatness<br>Aplatissement<br>Max 3.0mm<br>Projection<br> |
| Customer Client  | Date                  |   |
| Drawn By / Dessiné Par: BoxCad: BoxCad   | Date: 2013-12-26      |   |
| Material / Matière: 16 Ga Cold Rolled A1008 CS Type B (1.4mm)  |                       |   |
| Color / Couleur: Asa-61 Grey   | Finish / Fini: Smooth |   |
| Description: 1100W 8" x 8" x 6" Body   |                       | Detail Rev.   |
| Part Number / Numéro Pièce: <b>1100W080806B</b>  | Rev.:                 | 5 / 8   |

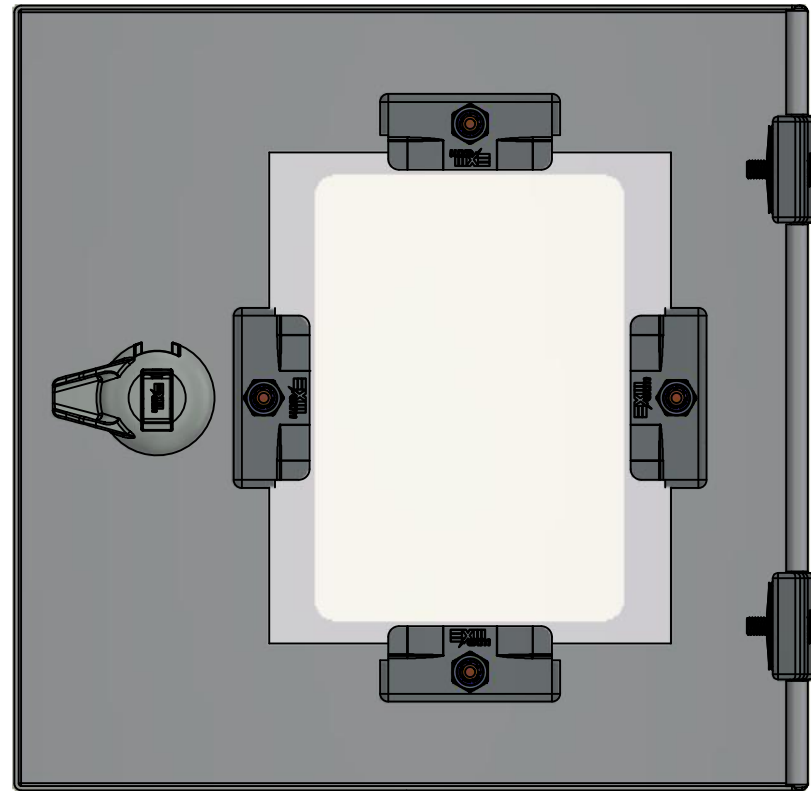
| Qty        | Part Number    | Rev | Description                            |
|------------|----------------|-----|--|
| 1          | STK-P-02400S   | 0   | Powder Paint (Asa-61 Grey / Smooth)    |
| 1          | STK-S-00100    | 0   | 3.5" x 2" Silver Milar Flexcon Sticker |
| 2          | STK-Q-77110    | 1   | 5412 ES Cover Plastic Plug             |
| 5          | STK-Q-08350    | 5   | Standoff M6 x 10mm                     |
| 1          | 1100W080806B-P | 0   | 1100W 8" x 8" x 6" Body Part           |
| Parts List |                |     |  |

This drawing is confidential and must not be reproduced or used without the consent of EXM

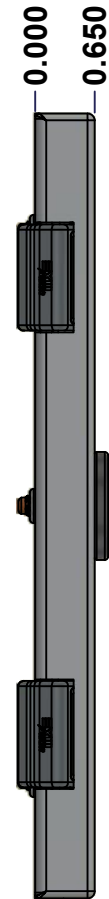
Ce dessin est confidentiel et ne doit pas être reproduit ou utilisé sans le consentement de EXM



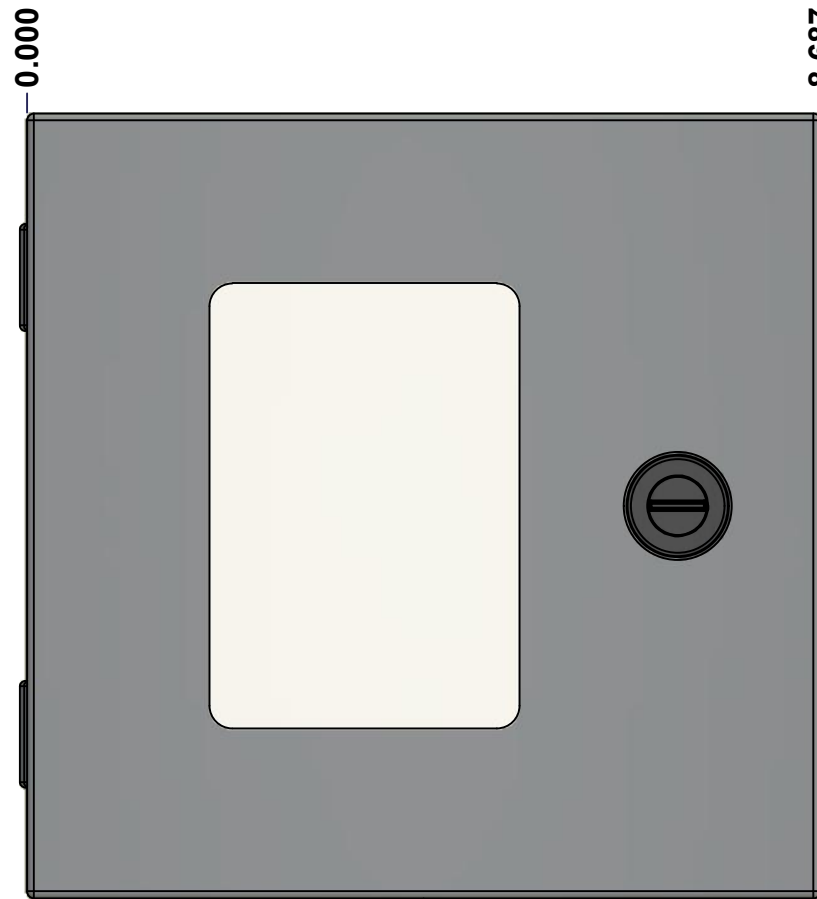
TOP



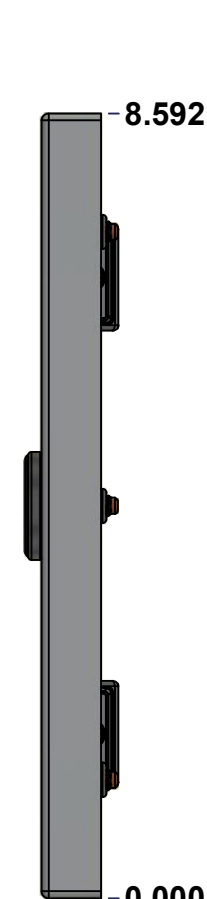
BACK



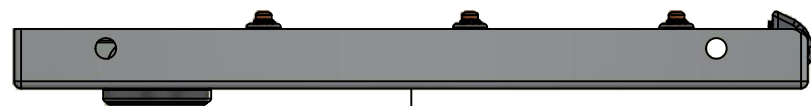
LEFT



FRONT

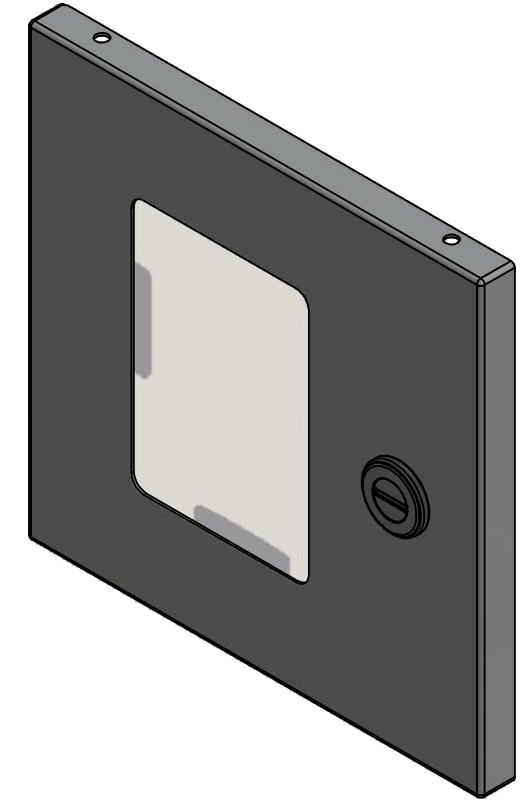


RIGHT




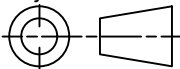
BOTTOM

| No. | Revisions | Date | By/Par |
|-----|-----------|------|--------|
|     |           |      |        |
|     |           |      |        |
|     |           |      |        |
|     |           |      |        |



Isometric View



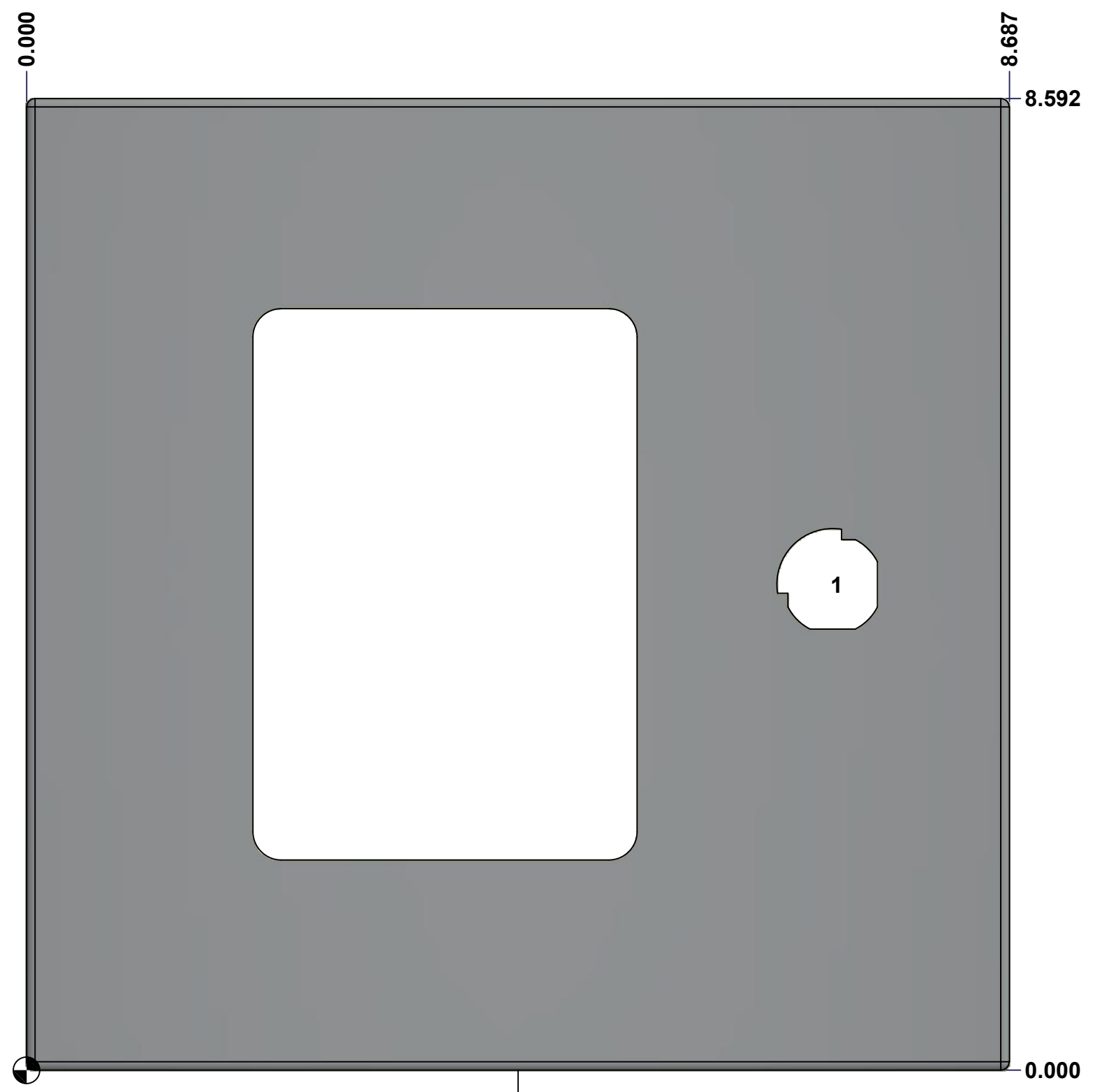
|  |   |   |
|--|---|---|
|  Tél: (450) 979-4373<br>Fax: (450) 979-4626<br><a href="http://www.exmweb.com">www.exmweb.com</a> |   | Flatness<br>Aplatissement<br>Max 3.0mm<br>Projection<br> |
| Customer Client  | Date                                      |   |
| Drawn By<br>Dessiné Par  | BoxCad: BoxCad                            | Date 2013-12-26   |
| Material<br>Matière  | 16 Ga Cold Rolled A1008 CS Type B (1.4mm) |   |
| Color<br>Couleur   | Asa-61 Grey                               | Finish<br>Fini Smooth   |
| Description  | Detail Rev.                               |   |
| 1100W 8" x 8" Cover  |   |   |
| Part Number<br>Numéro Pièce  | Rev. 0                                    | 6/8   |
| <b>1100W080806C</b>  |   |   |

SEE BILL OF MATERIAL ON LAST PAGE

This drawing is confidential and must not be reproduced or used without the consent of EXM

Ce dessin est confidentiel et ne doit pas être reproduit ou utilisé sans le consentement de EXM

| STANDARD FEATURES ARE NOT LISTED IN THIS HOLE TABLE |       |       |                          |
|---|-------|-------|--------------------------|
| HOLE TABLE - FRONT VIEW (CUSTOM FEATURE ONLY)       |       |       |                          |
| CUT-OUT   | XDIM  | YDIM  | DESCRIPTION              |
| 1   | 7.125 | 4.296 | LOCK 880 SCQ1-SLZ @ 0.0° |



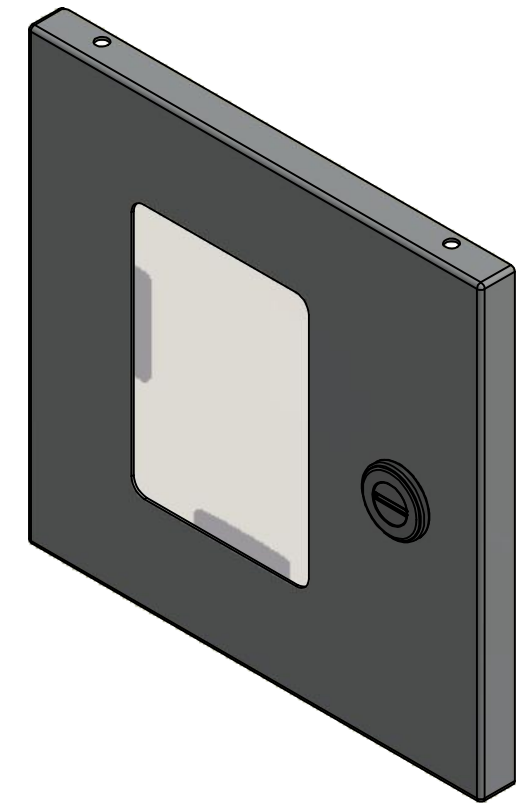
FRONT

|  |                             |          |     |
|--|-----------------------------|----------|-----|
|  | Description                 | Status   |     |
|  | 1100W 8" x 8" x 6" Cover    | (NULL)   |     |
|  | Part Number<br>Numéro Pièce | Rev.     |     |
|  | <b>1100W080806C</b>         | <b>0</b> | 7/8 |

This drawing is confidential and must not be reproduced or used without the consent of EXM

Ce dessin est confidentiel et ne doit pas être reproduit ou utilisé sans le consentement de EXM

| No. | Revisions | Date | By/Par |
|-----|-----------|------|--------|
|     |           |      |        |
|     |           |      |        |
|     |           |      |        |
|     |           |      |        |
|     |           |      |        |



Isometric View


 Tél: (450) 979-4373  
 Fax: (450) 979-4626  
[www.exmweb.com](http://www.exmweb.com)

Flatness / Aplatissement: Max 3.0mm  
 Projection: 

|  |                  |
|--|------------------|
| Customer Client                        | Date             |
| Drawn By / Dessiné Par: BoxCad: BoxCad | Date: 2013-12-26 |

Material / Matière: 16 Ga Cold Rolled A1008 CS Type B (1.4mm)

|                              |                       |
|------------------------------|-----------------------|
| Color / Couleur: Asa-61 Grey | Finish / Fini: Smooth |
|------------------------------|-----------------------|

Description: 1100W 8" x 8" Cover

|   |                        |   |
|---|------------------------|---|
| Part Number / Numéro Pièce: <b>1100W080806C</b> | Rev. / Révis: <b>0</b> | 8 |
|---|------------------------|---|

| Qty        | Part Number    | Rev | Description                            |
|------------|----------------|-----|--|
| 1          | 880 SCQ1-SLZ   | 0   | 1100 1/4 Turn Lock                     |
| 4          | STK-Q-60702    | 1   | 880 WK - Lexan 1/4" Fixing Bracket     |
| 4          | STK-Q-16055    | 1   | M6 x 18mm Stud (No Paint Cap Required) |
| 1          | 1100W080806LX  | 0   | 1100W 8" x 8" x 6" Lexan               |
| 1          | STK-P-02400S   | 0   | Powder Paint (Asa-61 Grey / Smooth)    |
| 1          | 1100W080806C-P | 0   | 1100W 8" x 8" x 6" Cover Part          |
| 2          | STK-A-33033    | 4   | 5412 ESMCH Hinge                       |
| Parts List |                |     |  |

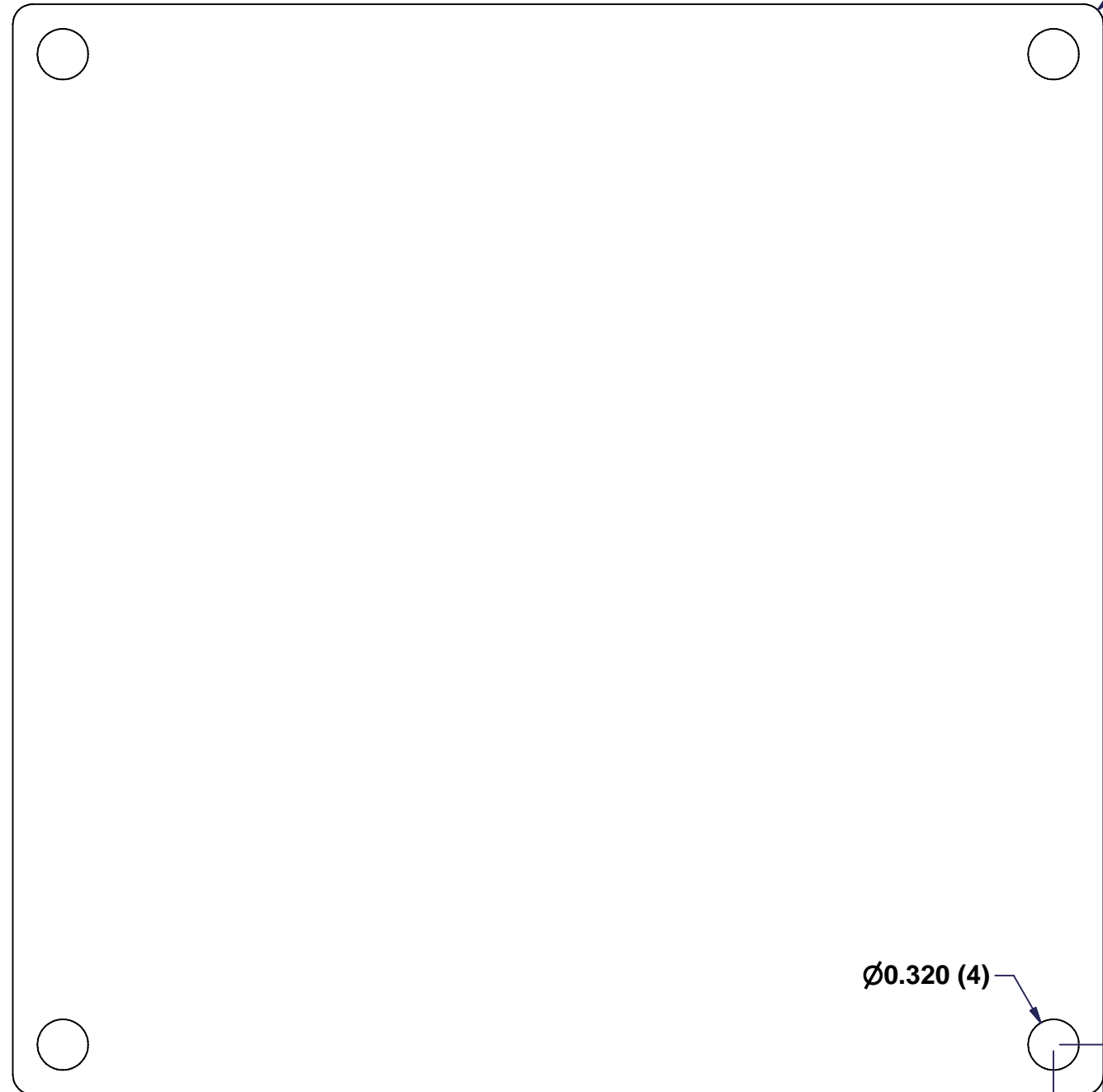


This drawing is confidential and must not be reproduced or used without the consent of EXM

Ce dessin est confidentiel et ne doit pas être reproduit ou utilisé sans le consentement de EXM



TOP



FRONT

R0.125

6.880

Ø0.320 (4)

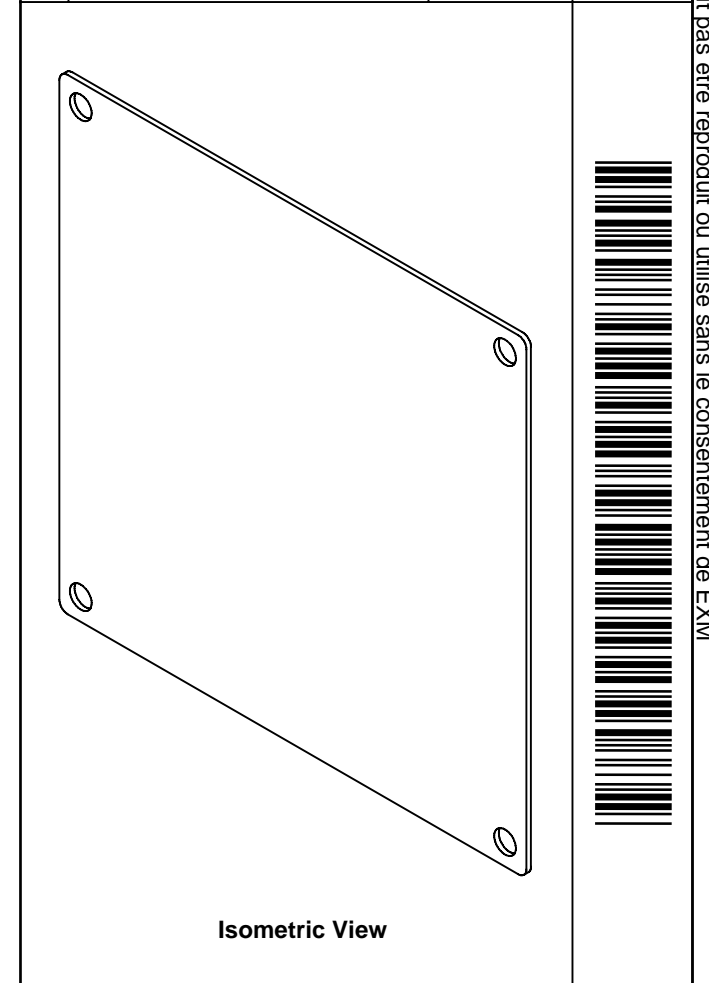
0.315

0.315

0.000

RIGHT

| No. | Revisions | Date | By/Par |
|-----|-----------|------|--------|
|     |           |      |        |
|     |           |      |        |
|     |           |      |        |
|     |           |      |        |



Isometric View

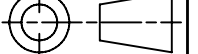


Tél: (450) 979-4373  
 Fax: (450) 979-4626  
 www.exmweb.com

Flatness  
Aplatissement

Max 3.0mm

Projection



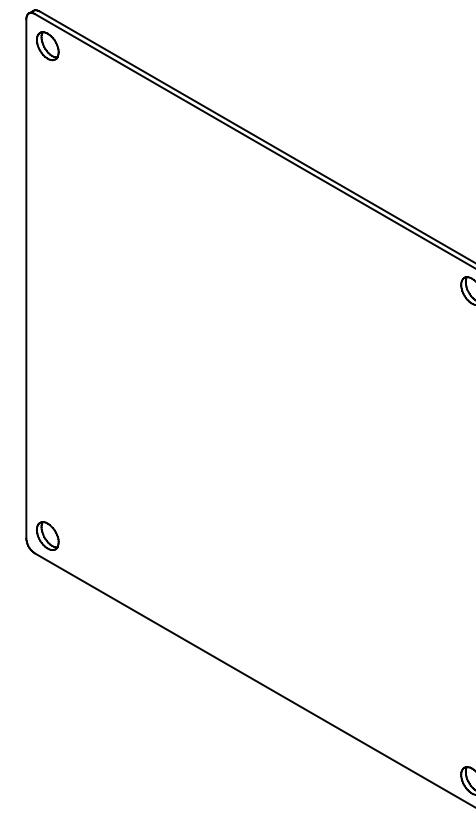
|   |                       |
|---|-----------------------|
| Customer Client                               | Date                  |
| Drawn By<br>Dessiné Par BoxCad                | Date 23/Jan/07        |
| Material<br>Matière 14 Ga H.R.P. & O.         |                       |
| Color<br>Couleur White                        | Finish<br>Fini Smooth |
| Description<br>880 SP0808 - Inner Panel       | Detail Rev.           |
| Part Number<br>Numéro Pièce <b>880 SP0808</b> | Rev. 1<br>0           |

SEE BILL OF MATERIAL ON LAST PAGE

This drawing is confidential and must not be reproduced or used without the consent of EXM

Ce dessin est confidentiel et ne doit pas être reproduit ou utilisé sans le consentement de EXM

| No. | Revisions | Date | By/Par |
|-----|-----------|------|--------|
|     |           |      |        |
|     |           |      |        |
|     |           |      |        |
|     |           |      |        |
|     |           |      |        |



Isometric View



Tél: (450) 979-4373  
 Fax: (450) 979-4626  
 www.exmweb.com

Flatness  
Aplatissement  
Max 3.0mm  
Projection

|                                       |                       |
|---------------------------------------|-----------------------|
| Customer Client                       | Date                  |
| Drawn By / Dessiné Par: BoxCad        | Date: 23/Jan/07       |
| Material / Matière: 14 Ga H.R.P. & O. |                       |
| Color / Couleur: White                | Finish / Fini: Smooth |

| Qty        | Part Number  | Rev | Description                   |
|------------|--------------|-----|-------------------------------|
| 1          | STK-P-02401S | 0   | Powder Paint (White / Smooth) |
| 1          | 880 SP0808-P | 0   | 880 SP0808 - Inner Panel Part |
| Parts List |              |     |                               |

|   |  |             |   |
|---|--|-------------|---|
| Description: 880 SP0808 - Inner Panel         |  | Detail Rev. |   |
| Part Number / Numéro Pièce: <b>880 SP0808</b> |  | Rev.:       | 2 |
|   |  | <b>0</b>    | 2 |