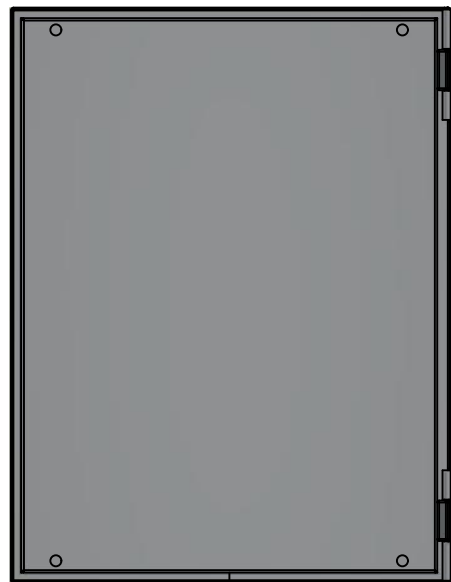


This drawing is confidential and must not be reproduced or used without the consent of EXM

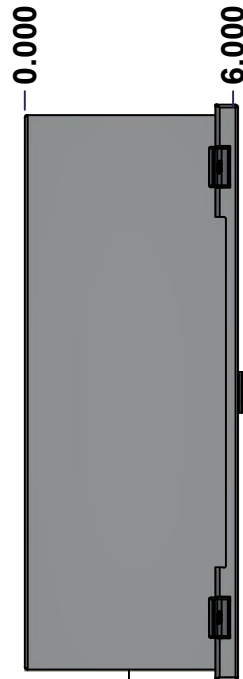
Ce dessin est confidentiel et ne doit pas être reproduit ou utilisé sans le consentement de EXM



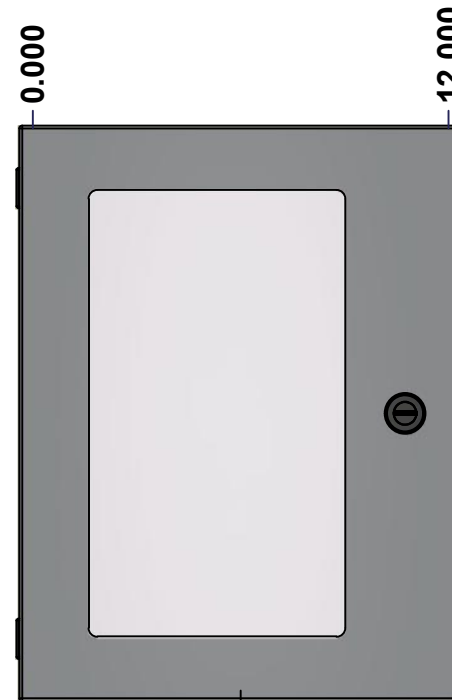
TOP



BACK



LEFT



FRONT

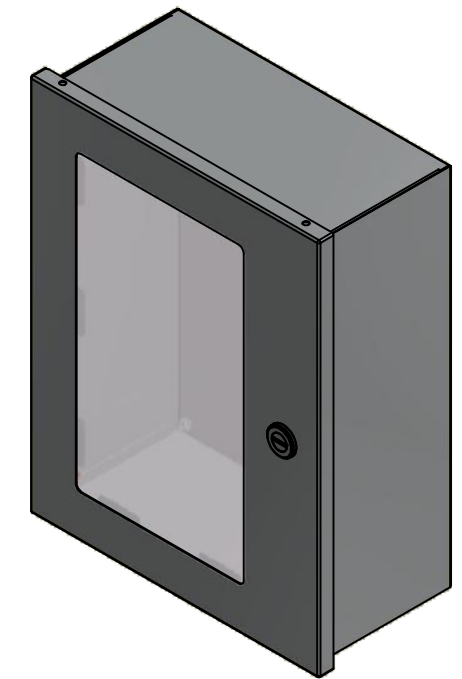


RIGHT



BOTTOM

| No. | Revisions | Date | By/Par |
|-----|-----------|------|--------|
|     |           |      |        |
|     |           |      |        |
|     |           |      |        |
|     |           |      |        |



Isometric View

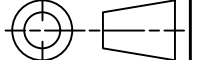


Tél: (450) 979-4373  
 Fax: (450) 979-4626  
[www.exmweb.com](http://www.exmweb.com)

Flatness  
Aplatissement

Max 3.0mm

Projection



|   |                  |
|---|------------------|
| Customer Client   | Date             |
| Drawn By / Dessiné Par: BoxCad: BoxCad                        | Date: 12/26/2013 |
| Material / Matière: 16 Ga Cold Rolled A1008 CS Type B (1.4mm) |                  |

|                              |                       |
|------------------------------|-----------------------|
| Color / Couleur: Asa-61 Grey | Finish / Fini: Smooth |
|------------------------------|-----------------------|

|  |             |
|--|-------------|
| Description: 1100W 16" x 12" x 6" Assembly | Detail Rev. |
|--|-------------|

|   |        |   |   |
|---|--------|---|---|
| Part Number / Numéro Pièce: 1100W161206 | Rev. 0 | 1 | 8 |
|---|--------|---|---|

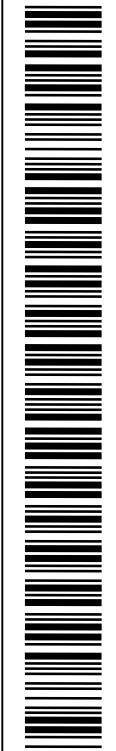
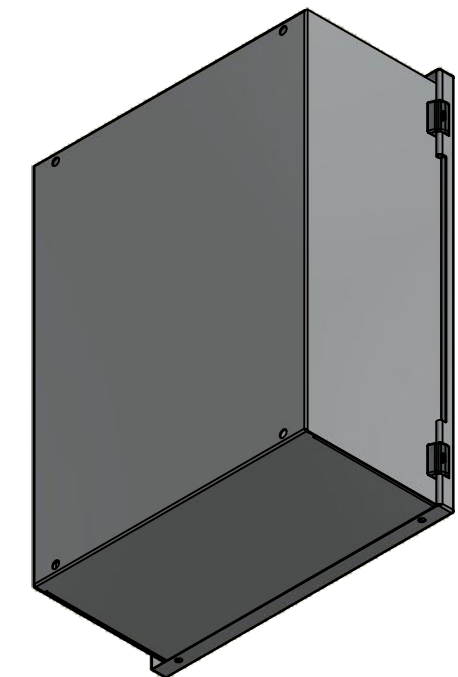
SEE BILL OF MATERIAL ON LAST PAGE

This drawing is confidential and must not be reproduced or used without the consent of EXM

Ce dessin est confidentiel et ne doit pas être reproduit ou utilisé sans le consentement de EXM

| NOTE |  |
|------|--|
| ITEM | DESCRIPTION                                    |
| 1    | NEMA 1 Enclosure                               |
| 2    | C/W Standard ground standoffs on box and cover |
| 3    | W/O Standard door stiffener                    |
| 4    | C/W Standard inner panel (Included)            |
| 5    | C/W Standard inner panel mounting standoffs    |

| No. | Revisions | Date | By/Par |
|-----|-----------|------|--------|
|     |           |      |        |
|     |           |      |        |
|     |           |      |        |
|     |           |      |        |
|     |           |      |        |
|     |           |      |        |



Isometric View



Tél: (450) 979-4373  
 Fax: (450) 979-4626  
[www.exmweb.com](http://www.exmweb.com)

Flatness  
Aplatissement  
Max 3.0mm  
Projection

|   |                  |
|---|------------------|
| Customer Client   | Date             |
| Drawn By / Dessiné Par: BoxCad: BoxCad                        | Date: 12/26/2013 |
| Material / Matière: 16 Ga Cold Rolled A1008 CS Type B (1.4mm) |                  |

|                              |                       |
|------------------------------|-----------------------|
| Color / Couleur: Asa-61 Grey | Finish / Fini: Smooth |
|------------------------------|-----------------------|

|  |             |
|--|-------------|
| Description: 1100W 16" x 12" x 6" Assembly | Detail Rev. |
|--|-------------|

|  |        |     |
|--|--------|-----|
| Part Number / Numéro Pièce: <b>1100W161206</b> | Rev. 0 | 2/8 |
|--|--------|-----|

| Qty | Part Number  | Rev | Description                            |
|-----|--------------|-----|--|
| 1   | 1100W161206B | 0   | 1100W 16" x 12" x 6" Body              |
| 1   | 1100W161206C | 0   | 1100W 16" x 12" Cover                  |
| 1   | STK-K-00200  | 1   | M6 x 8mm Hexagon/Slot Screw (Bag of 6) |
| 1   | 880 SP1612   | 0   | 880 SP1612 - Inner Panel               |
| 2   | STK-Q-08100  | 1   | M5 Nylon Insert Lock Nut               |

Parts List

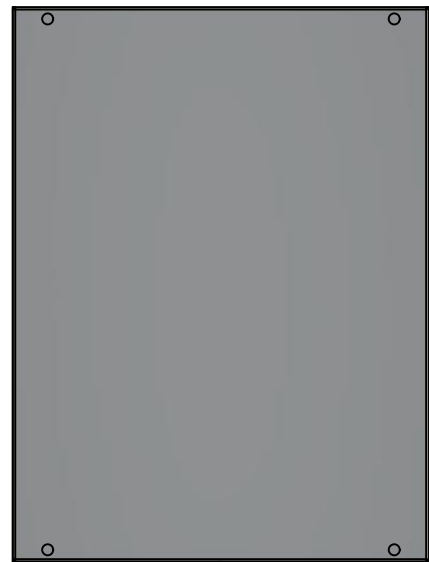
| PACKING              |     |   |
|----------------------|-----|---|
| ITEM                 | QTY | DESCRIPTION                             |
| Cardboard sleeve     | 1   | Top                                     |
| Thermal plastic film | 1   | Use with Packing Tunnel Wrapper Machine |
| Packaging label      | 1   | White label with product number         |

This drawing is confidential and must not be reproduced or used without the consent of EXM

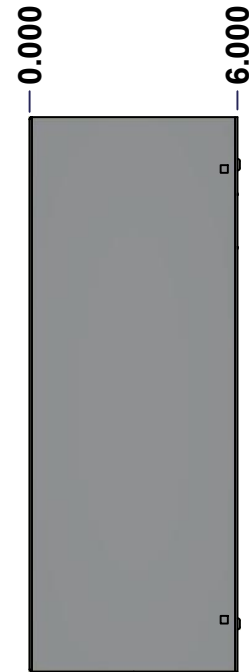
Ce dessin est confidentiel et ne doit pas être reproduit ou utilisé sans le consentement de EXM



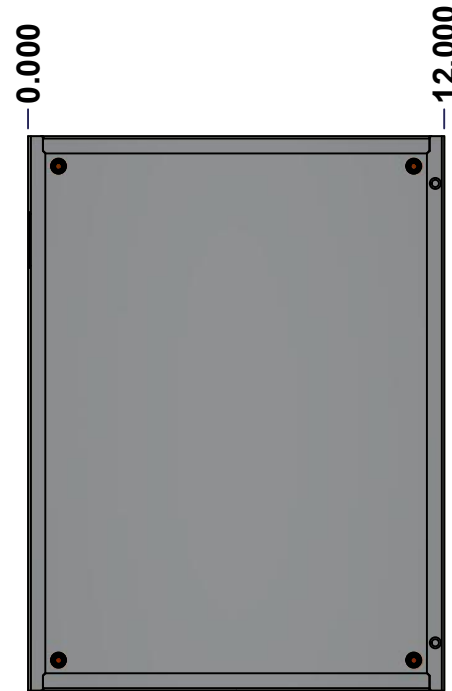
TOP



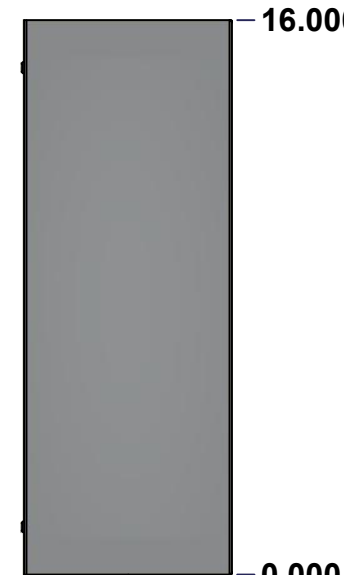
BACK



LEFT



FRONT

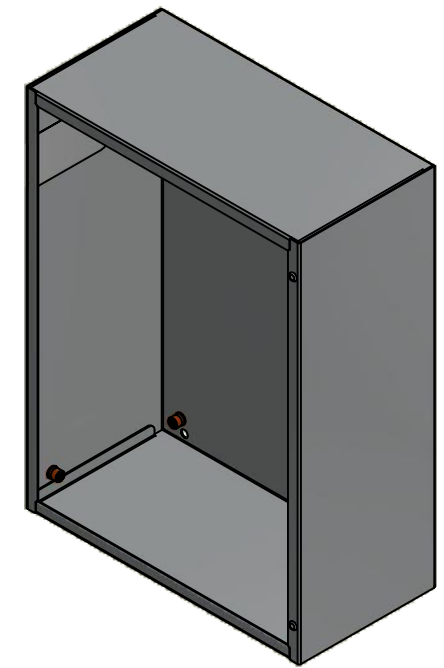


RIGHT



BOTTOM

| No. | Revisions | Date | By/Par |
|-----|-----------|------|--------|
|     |           |      |        |
|     |           |      |        |
|     |           |      |        |
|     |           |      |        |
|     |           |      |        |



Isometric View

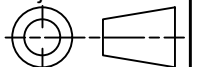


Tél: (450) 979-4373  
 Fax: (450) 979-4626  
[www.exmweb.com](http://www.exmweb.com)

Flatness  
Aplatissement

Max 3.0mm

Projection



|   |                  |
|---|------------------|
| Customer Client   | Date             |
| Drawn By / Dessiné Par: BoxCad: BoxCad                        | Date: 12/26/2013 |
| Material / Matière: 16 Ga Cold Rolled A1008 CS Type B (1.4mm) |                  |

|                              |                       |
|------------------------------|-----------------------|
| Color / Couleur: Asa-61 Grey | Finish / Fini: Smooth |
|------------------------------|-----------------------|

|  |             |
|--|-------------|
| Description: 1100W 16" x 12" x 6" Body | Detail Rev. |
|--|-------------|

|  |        |       |
|--|--------|-------|
| Part Number / Numéro Pièce: 1100W161206B | Rev. 0 | 3 / 8 |
|--|--------|-------|

SEE BILL OF MATERIAL ON LAST PAGE

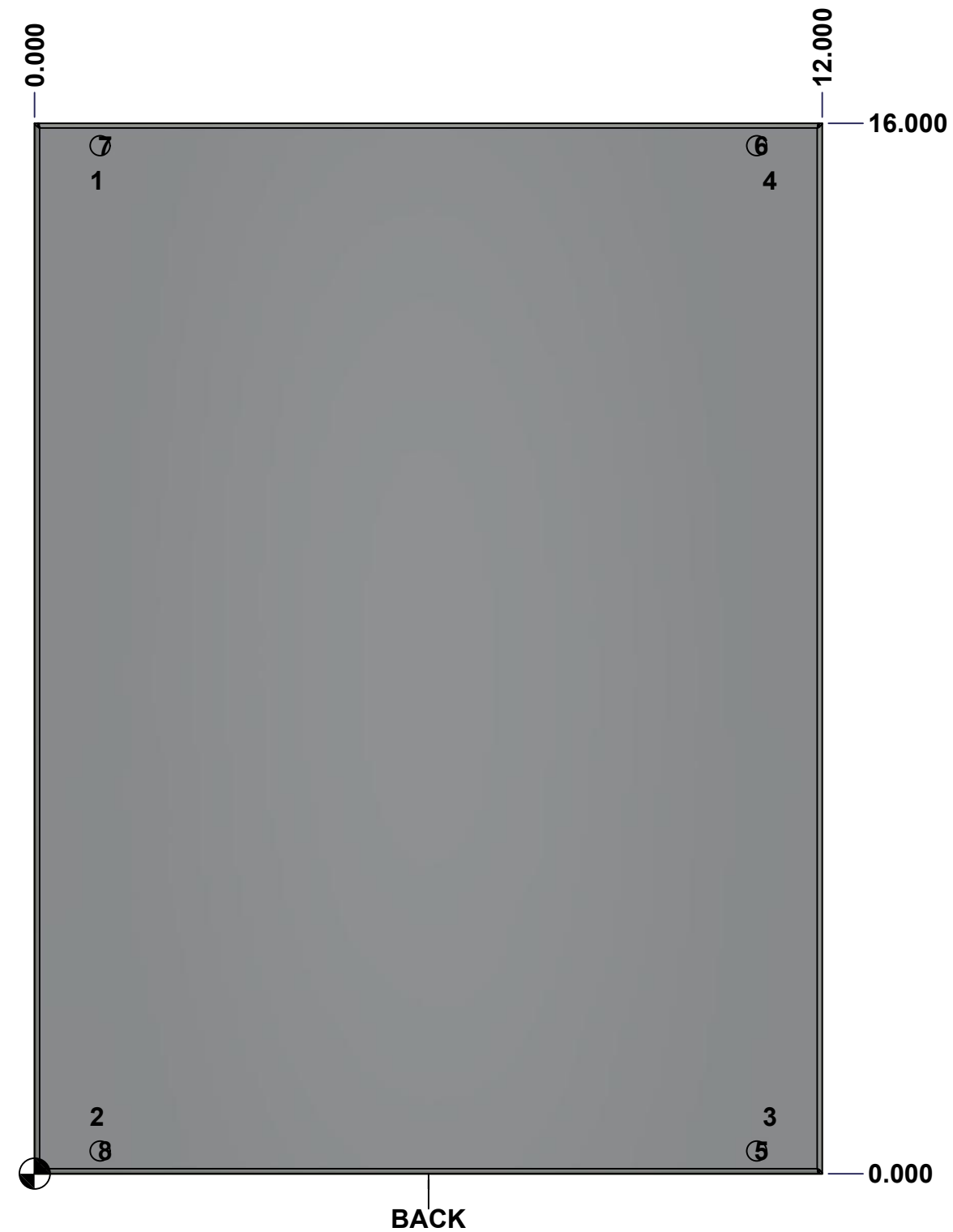
This drawing is confidential and must not be reproduced or used without the consent of EXM

Ce dessin est confidentiel et ne doit pas être reproduit ou utilisé sans le consentement de EXM

**STANDARD FEATURES ARE NOT LISTED IN THIS HOLE TABLE**

**HOLE TABLE - BACK VIEW (CUSTOM FEATURE ONLY)**

| CUT-OUT | XDIM   | YDIM   | DESCRIPTION                    |
|---------|--------|--------|--------------------------------|
| 1       | 0.875  | 15.125 | IP STANDOFF M6 x 10mm (Inside) |
| 2       | 0.875  | 0.875  | IP STANDOFF M6 x 10mm (Inside) |
| 3       | 11.125 | 0.875  | IP STANDOFF M6 x 10mm (Inside) |
| 4       | 11.125 | 15.125 | IP STANDOFF M6 x 10mm (Inside) |
| -----   |        |        |                                |
| 5       | 11.000 | 0.344  | RND Ø0.305                     |
| 6       | 11.000 | 15.656 | RND Ø0.305                     |
| 7       | 1.000  | 15.656 | RND Ø0.305                     |
| 8       | 1.000  | 0.344  | RND Ø0.305                     |

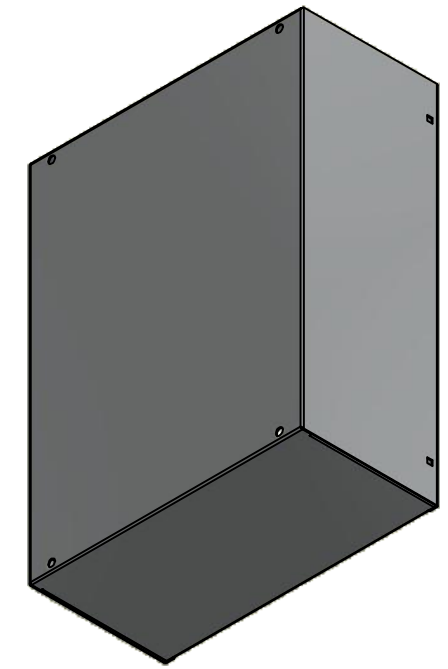


|  |                             |          |        |
|--|-----------------------------|----------|--------|
|  | Description                 | Status   |        |
|  | 1100W 16" x 12" x 6" Body   | (NULL)   |        |
|  | Part Number<br>Numéro Pièce | Rev.     |        |
|  | <b>1100W161206B</b>         | <b>0</b> | 4<br>8 |

This drawing is confidential and must not be reproduced or used without the consent of EXM

Ce dessin est confidentiel et ne doit pas être reproduit ou utilisé sans le consentement de EXM

| No. | Revisions | Date | By/Par |
|-----|-----------|------|--------|
|     |           |      |        |
|     |           |      |        |
|     |           |      |        |
|     |           |      |        |
|     |           |      |        |



Isometric View



Tél: (450) 979-4373  
 Fax: (450) 979-4626  
[www.exmweb.com](http://www.exmweb.com)

Flatness  
Aplatissement  
Max 3.0mm  
Projection

|   |                  |
|---|------------------|
| Customer Client   | Date             |
| Drawn By / Dessiné Par: BoxCad: BoxCad                        | Date: 12/26/2013 |
| Material / Matière: 16 Ga Cold Rolled A1008 CS Type B (1.4mm) |                  |

|                              |                       |
|------------------------------|-----------------------|
| Color / Couleur: Asa-61 Grey | Finish / Fini: Smooth |
|------------------------------|-----------------------|

|  |             |
|--|-------------|
| Description: 1100W 16" x 12" x 6" Body | Detail Rev. |
|--|-------------|

|   |        |   |   |
|---|--------|---|---|
| Part Number / Numéro Pièce: <b>1100W161206B</b> | Rev. 0 | 5 | 8 |
|---|--------|---|---|

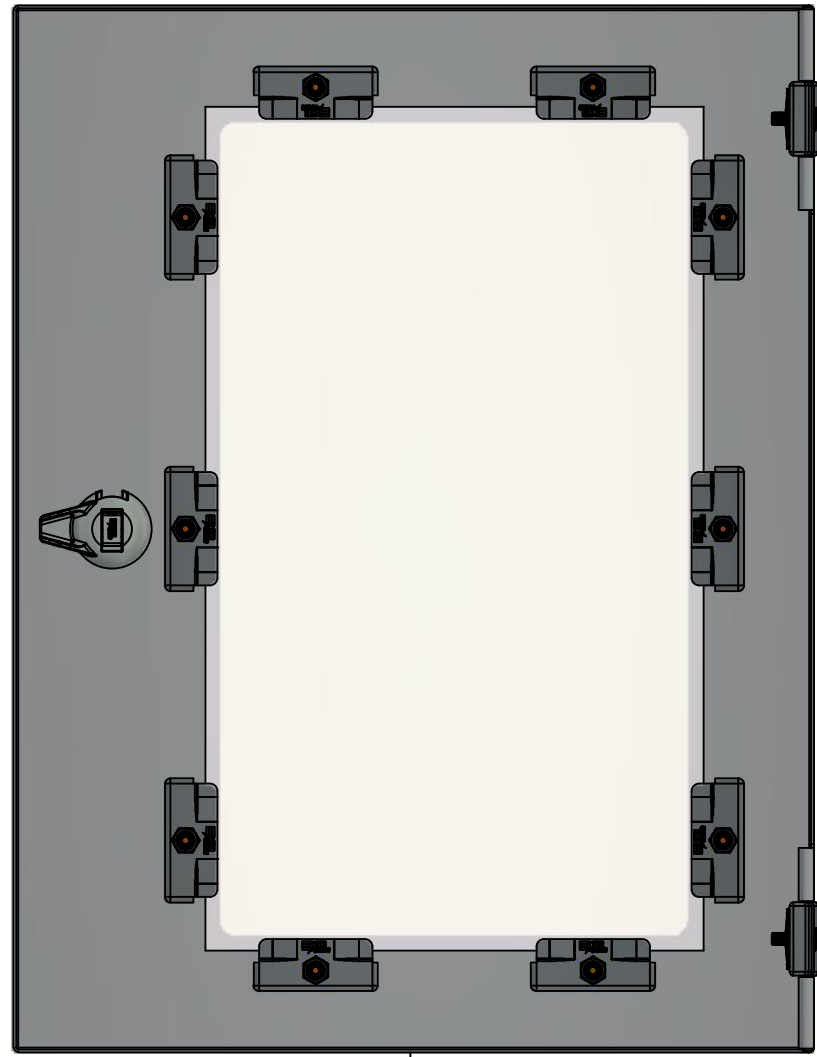
| Qty        | Part Number    | Rev | Description                            |
|------------|----------------|-----|--|
| 1          | STK-P-02400S   | 0   | Powder Paint (Asa-61 Grey / Smooth)    |
| 1          | STK-S-00100    | 0   | 3.5" x 2" Silver Milar Flexcon Sticker |
| 2          | STK-Q-77110    | 1   | 5412 ES Cover Plastic Plug             |
| 5          | STK-Q-08350    | 5   | Standoff M6 x 10mm                     |
| 1          | 1100W161206B-P | 0   | 1100W 16" x 12" x 6" Body Part         |
| Parts List |                |     |  |

This drawing is confidential and must not be reproduced or used without the consent of EXM

Ce dessin est confidentiel et ne doit pas être reproduit ou utilisé sans le consentement de EXM



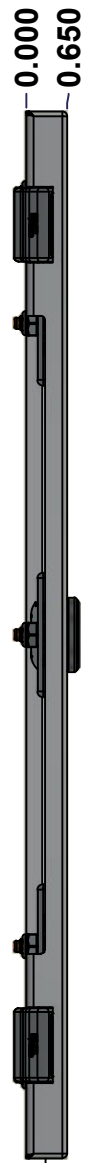
TOP



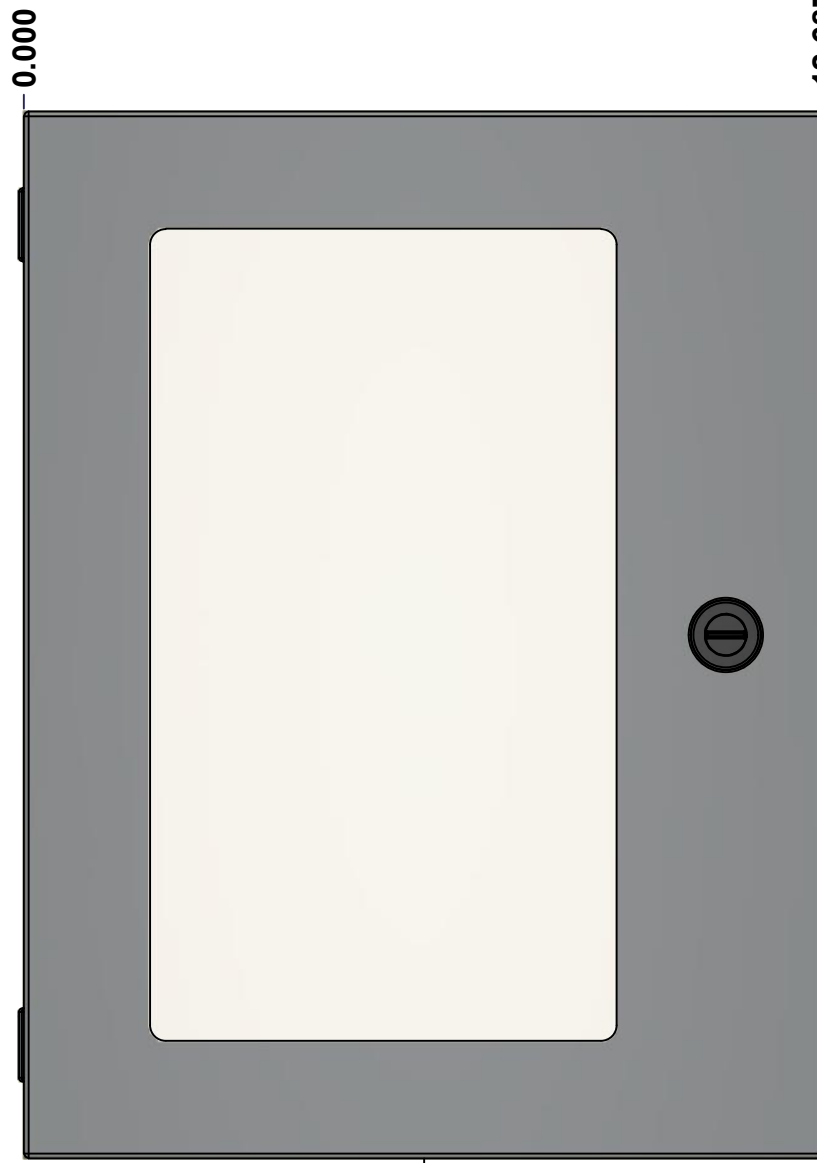
BACK



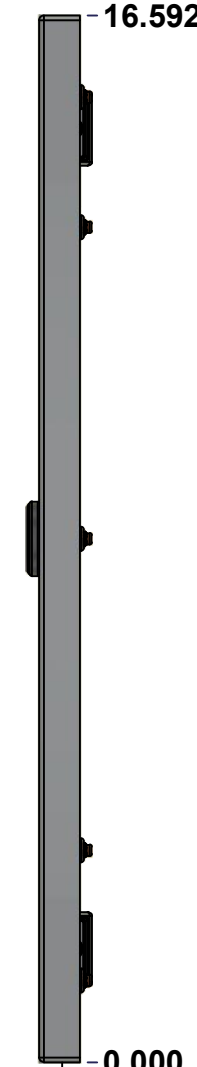
BOTTOM



LEFT

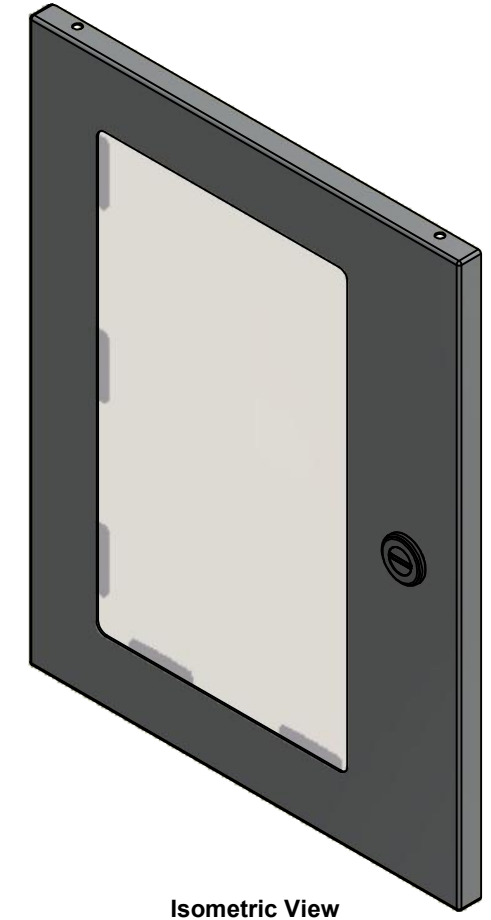


FRONT



RIGHT

| No. | Revisions | Date | By/Par |
|-----|-----------|------|--------|
|     |           |      |        |
|     |           |      |        |
|     |           |      |        |
|     |           |      |        |
|     |           |      |        |



Isometric View



Tél: (450) 979-4373  
 Fax: (450) 979-4626  
[www.exmweb.com](http://www.exmweb.com)

Flatness  
Aplatissement  
Max 3.0mm  
Projection

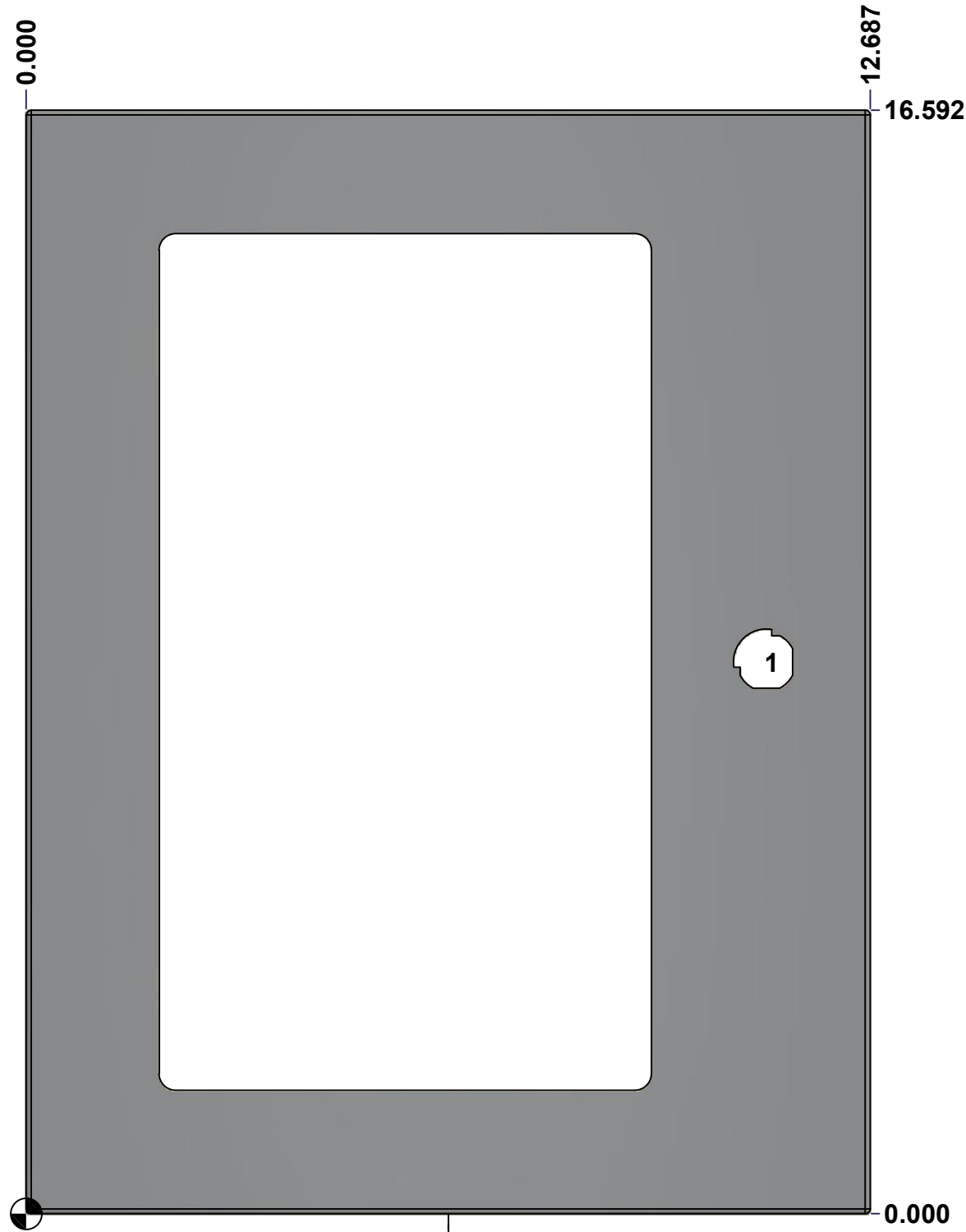
|   |                       |
|---|-----------------------|
| Customer Client   | Date                  |
| Drawn By<br>Dessiné Par BoxCad: BoxCad                        | Date 12/26/2013       |
| Material<br>Matière 16 Ga Cold Rolled A1008 CS Type B (1.4mm) |                       |
| Color<br>Couleur Asa-61 Grey                                  | Finish<br>Fini Smooth |
| Description<br>1100W 16" x 12" Cover                          | Detail Rev.           |
| Part Number<br>Numéro Pièce <b>1100W161206C</b>               | Rev. 6<br><b>0</b>    |

SEE BILL OF MATERIAL ON LAST PAGE

This drawing is confidential and must not be reproduced or used without the consent of EXM

Ce dessin est confidentiel et ne doit pas être reproduit ou utilisé sans le consentement de EXM

| STANDARD FEATURES ARE NOT LISTED IN THIS HOLE TABLE |        |       |                          |
|---|--------|-------|--------------------------|
| HOLE TABLE - FRONT VIEW (CUSTOM FEATURE ONLY)       |        |       |                          |
| CUT-OUT   | XDIM   | YDIM  | DESCRIPTION              |
| 1   | 11.125 | 8.296 | LOCK 880 SCQ1-SLZ @ 0.0° |



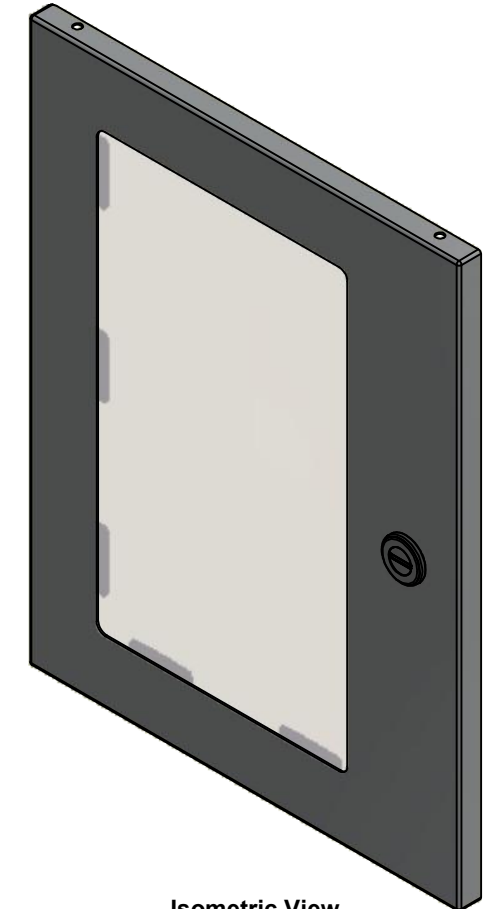
FRONT

|  |                             |          |        |
|--|-----------------------------|----------|--------|
|  | Description                 | Status   |        |
|  | 1100W 16" x 12" x 6" Cover  | (NULL)   |        |
|  | Part Number<br>Numéro Pièce | Rev.     |        |
|  | <b>1100W161206C</b>         | <b>0</b> | 7<br>8 |

This drawing is confidential and must not be reproduced or used without the consent of EXM


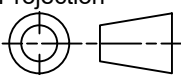
Ce dessin est confidentiel et ne doit pas être reproduit ou utilisé sans le consentement de EXM

| No. | Revisions | Date | By/Par |
|-----|-----------|------|--------|
|     |           |      |        |
|     |           |      |        |
|     |           |      |        |
|     |           |      |        |
|     |           |      |        |



Isometric View



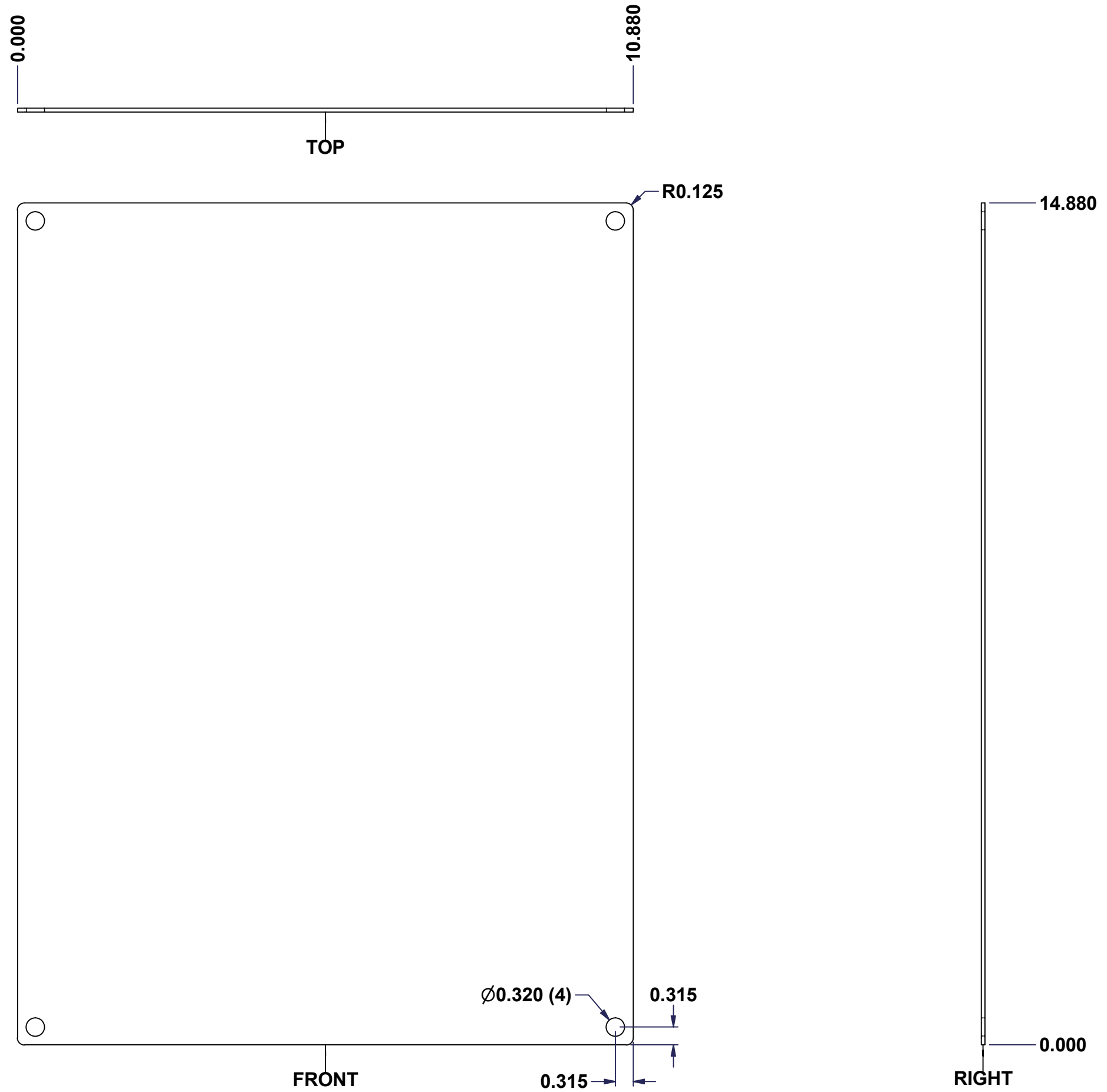
|  |   |   |
|--|---|---|
|  Tél: (450) 979-4373<br>Fax: (450) 979-4626<br><a href="http://www.exmweb.com">www.exmweb.com</a> |   | Flatness<br>Aplatissement<br>Max 3.0mm<br>Projection<br> |
| Customer Client  | Date                                      |   |
| Drawn By<br>Dessiné Par  | BoxCad: BoxCad                            | Date 12/26/2013   |
| Material<br>Matière  | 16 Ga Cold Rolled A1008 CS Type B (1.4mm) |   |
| Color<br>Couleur   | Asa-61 Grey                               | Finish<br>Fini Smooth   |
| Description  |   | Detail Rev.   |
| 1100W 16" x 12" Cover  |   |   |
| Part Number<br>Numéro Pièce  | Rev.                                      | 8   |
| <b>1100W161206C</b>  | <b>0</b>                                  | 8   |

| Qty        | Part Number    | Rev | Description                            |
|------------|----------------|-----|--|
| 1          | 880 SCQ1-SLZ   | 0   | 1100 1/4 Turn Lock                     |
| 10         | STK-Q-60702    | 1   | 880 WK - Lexan 1/4" Fixing Bracket     |
| 10         | STK-Q-16055    | 1   | M6 x 18mm Stud (No Paint Cap Required) |
| 1          | 1100W161206LX  | 0   | 1100W 16" x 12" x 6" Lexan             |
| 1          | STK-P-02400S   | 0   | Powder Paint (Asa-61 Grey / Smooth)    |
| 1          | 1100W161206C-P | 0   | 1100W 16" x 12" x 6" Cover Part        |
| 2          | STK-A-33033    | 4   | 5412 ESMCH Hinge                       |
| Parts List |                |     |  |



This drawing is confidential and must not be reproduced or used without the consent of EXM

Ce dessin est confidentiel et ne doit pas être reproduit ou utilisé sans le consentement de EXM



| No. | Revisions | Date | By/Par |
|-----|-----------|------|--------|
|     |           |      |        |
|     |           |      |        |
|     |           |      |        |
|     |           |      |        |
|     |           |      |        |

**Isometric View**

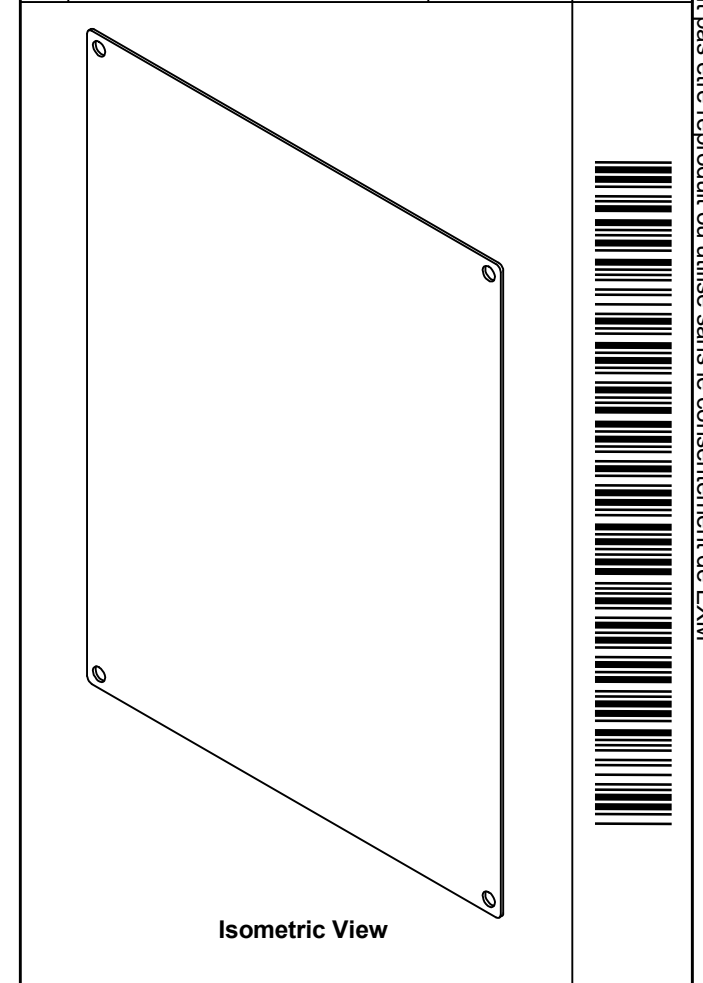
|   |                                   |                       |
|---|-----------------------------------|-----------------------|
| <p>Tél: (450) 979-4373<br/>Fax: (450) 979-4626<br/>www.exmweb.com</p> | Flatness<br>Aplatissement         | Max 3.0mm             |
|   | Projection                        |                       |
| Customer<br>Client  | Date                              |                       |
| Drawn By<br>Dessiné Par   | BoxCad                            | Date 23-Jan-07        |
| Material<br>Matière   | 14 Ga Cold Rolled A1008 CS Type B |                       |
| Color<br>Couleur  | White                             | Finish<br>Fini Smooth |
| Description   | Detail Rev.                       |                       |
| 880 SP1612 - Inner Panel  |                                   |                       |
| Part Number<br>Numéro Pièce   | Rev.                              | 1                     |
| <b>880 SP1612</b>   | <b>0</b>                          | 2                     |

SEE BILL OF MATERIAL ON LAST PAGE

This drawing is confidential and must not be reproduced or used without the consent of EXM

Ce dessin est confidentiel et ne doit pas être reproduit ou utilisé sans le consentement de EXM

| No. | Revisions | Date | By/Par |
|-----|-----------|------|--------|
|     |           |      |        |
|     |           |      |        |
|     |           |      |        |
|     |           |      |        |
|     |           |      |        |



|  |                       |                           |
|--|-----------------------|---------------------------|
| Tél: (450) 979-4373<br>Fax: (450) 979-4626<br>www.exmweb.com |                       | Flatness<br>Aplatissement |
|  |                       | Max 3.0mm                 |
| Customer<br>Client   |                       | Date                      |
| Drawn By<br>Dessiné Par BoxCad                               |                       | Date 23-Jan-07            |
| Material<br>Matière 14 Ga Cold Rolled A1008 CS Type B        |                       |                           |
| Color<br>Couleur White                                       | Finish<br>Fini Smooth |                           |
| Description<br>880 SP1612 - Inner Panel                      |                       | Detail Rev.               |
| Part Number<br>Numéro Pièce <b>880 SP1612</b>                |                       | Rev. 2                    |

| Qty        | Part Number  | Rev | Description                   |
|------------|--------------|-----|-------------------------------|
| 1          | STK-P-02401S | 0   | Powder Paint (White / Smooth) |
| 1          | 880 SP1612-P | 0   | 880 SP1612 - Inner Panel Part |
| Parts List |              |     |                               |