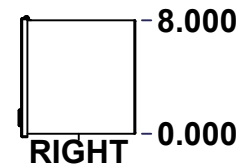
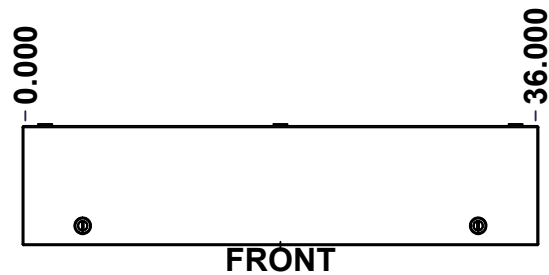
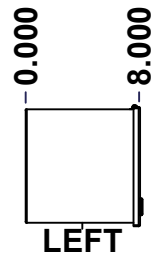
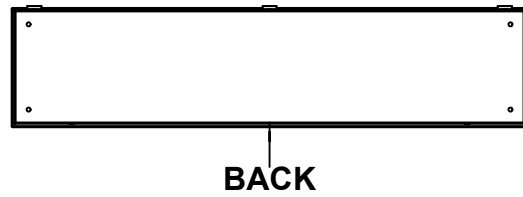
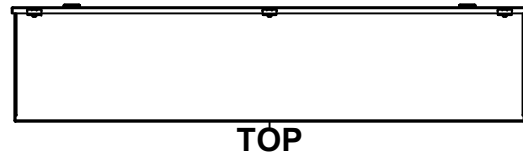
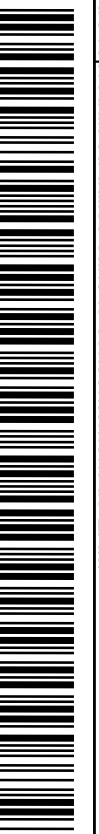
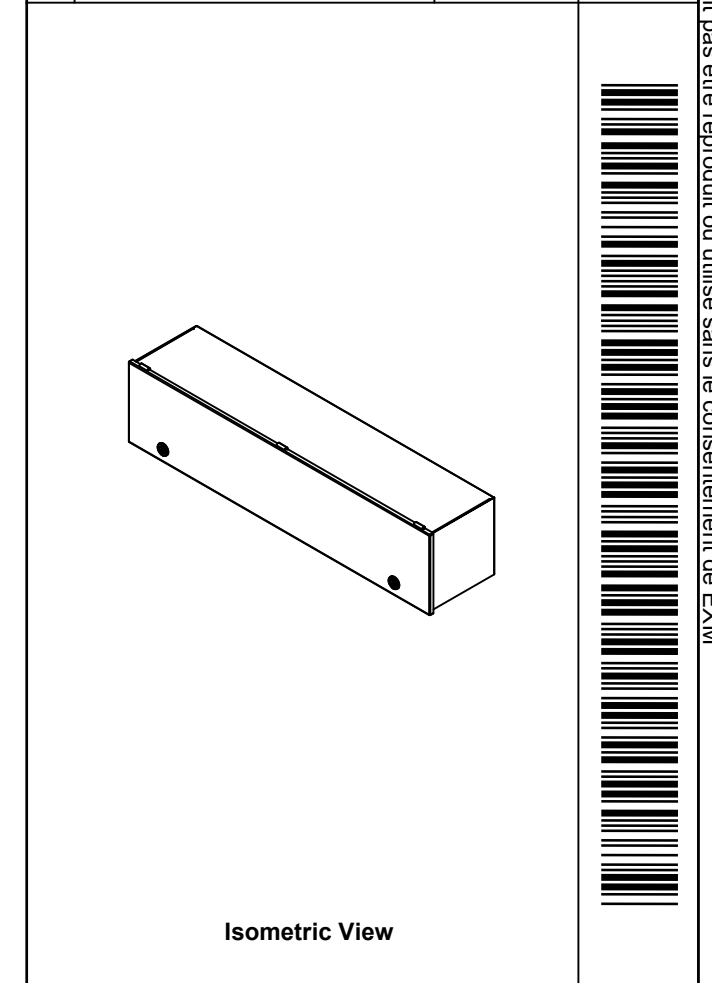



This drawing is confidential and must not be reproduced or used without the consent of EXM

Ce dessin est confidentiel et ne doit pas être reproduit ou utilisé sans le consentement de EXM



No.	Revisions	Date	By/Par



 Tél: (450) 979-4373 Fax: (450) 979-4626 <a href="http://www.exmweb.com">www.exmweb.com</a>		Flatness Aplatissement
		Max 3.0mm
Customer Client		Date
Drawn By Dessiné Par BoxCad: BoxCad		Date 27-May-15
Material Matière 16 Ga Cold Rolled A1008 CS Type B (1.4mm)		
Color Couleur Asa-61 Grey	Finish Fini Smooth	
Description 1100WEN 8" x 8" x 36" Assembly		Detail Rev.
Part Number Numéro Pièce <b>1100WE080836N</b>		Rev. 0
		1 2

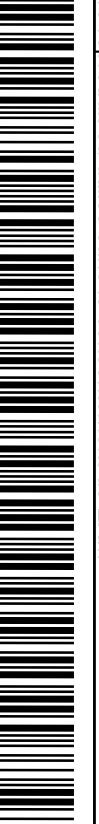
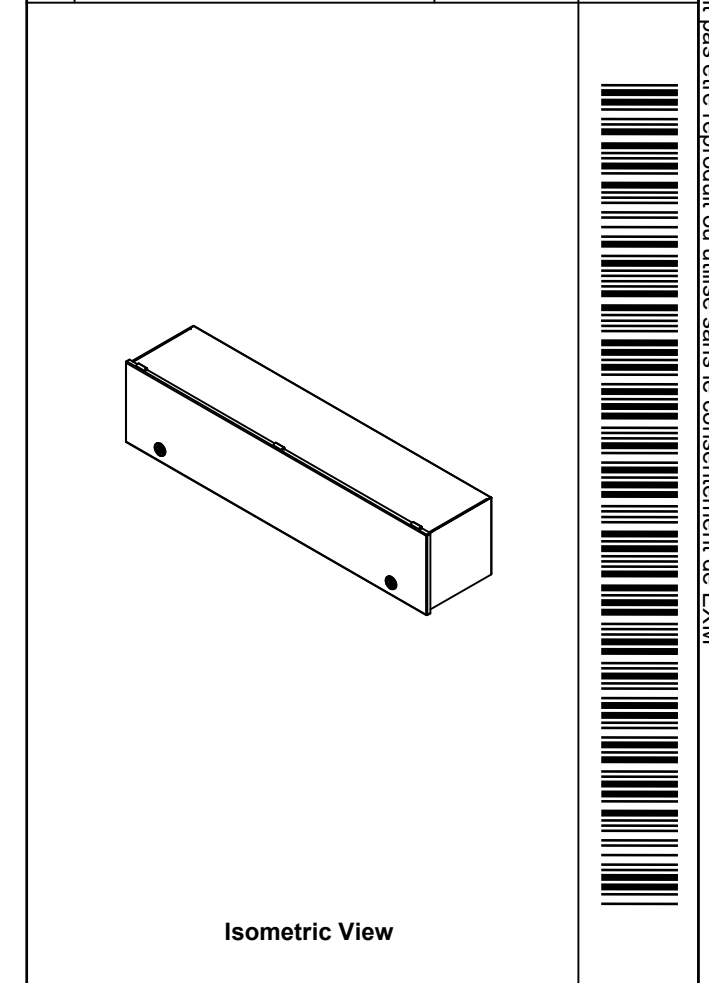
**SEE BILL OF MATERIAL ON LAST PAGE**


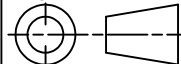
This drawing is confidential and must not be reproduced or used without the consent of EXM

Ce dessin est confidentiel et ne doit pas être reproduit ou utilisé sans le consentement de EXM

NOTE	
ITEM	DESCRIPTION
1	NEMA 1 Enclosure
2	C/W Standard ground provision on box and cover
3	W/O Standard door stiffener
4	W/O Inner panel
5	W/O Inner panel mounting provision

No.	Revisions	Date	By/Par



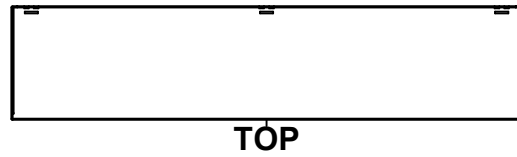
 Tél: (450) 979-4373 Fax: (450) 979-4626 <a href="http://www.exmweb.com">www.exmweb.com</a>		Flatness Aplatissement Max 3.0mm Projection 
Customer Client	Date	
Drawn By Dessiné Par	BoxCad: BoxCad	Date 27-May-15
Material Matière	16 Ga Cold Rolled A1008 CS Type B (1.4mm)	
Color Couleur	Asa-61 Grey	Finish Fini Smooth
Description	Detail Rev.	
1100WEN 8" x 8" x 36" Assembly		Rev. 2
Part Number Numéro Pièce	<b>1100WE080836N</b>	Rev. 0

PACKING		
ITEM	QTY	DESCRIPTION
Thermal plastic film	1	Use with Packing Tunnel Wrapper Machine
Packaging label	1	White label with product number

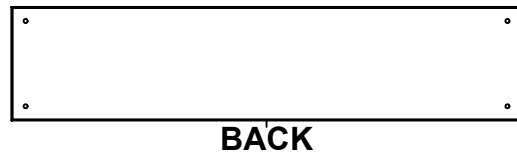
Qty	Part Number	Rev	Description
1	1100WE080836NC	0	1100WEN 8" x 36" Cover
1	1100WE080836NB	0	1100WEN 8" x 8" x 36" Body
Parts List			

This drawing is confidential and must not be reproduced or used without the consent of EXM

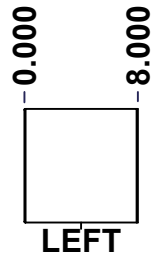
Ce dessin est confidentiel et ne doit pas être reproduit ou utilisé sans le consentement de EXM



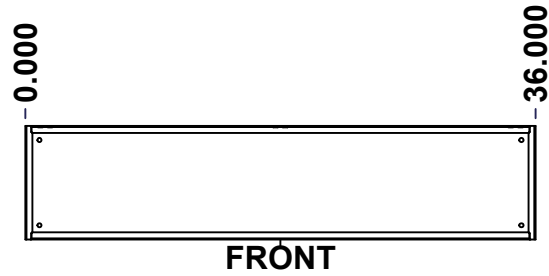
TOP



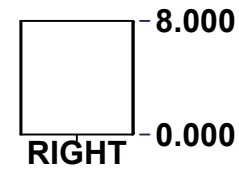
BACK



LEFT



FRONT

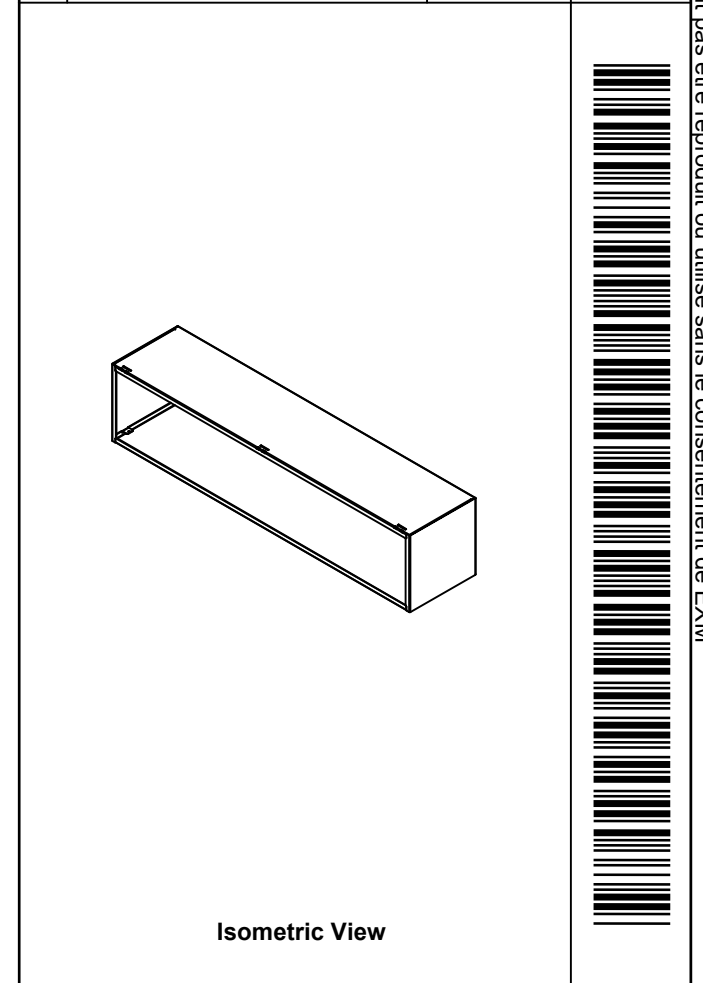


RIGHT





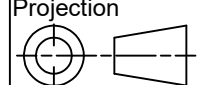
BOTTOM

No.	Revisions	Date	By/Par



Isometric View



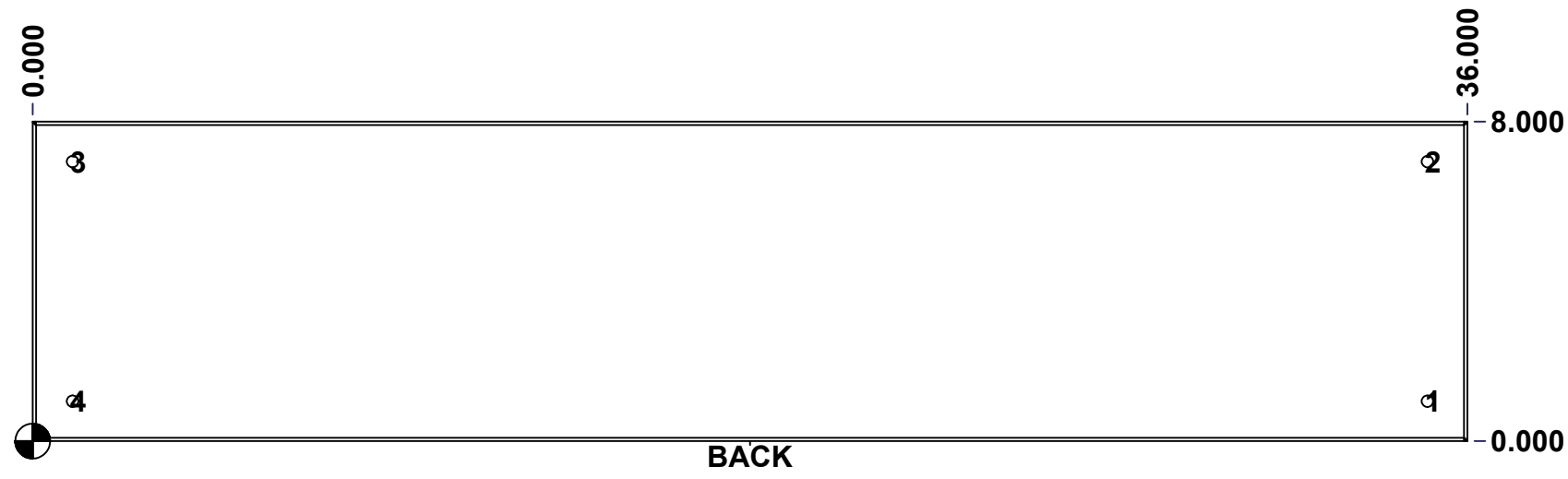
 Tél: (450) 979-4373 Fax: (450) 979-4626 <a href="http://www.exmweb.com">www.exmweb.com</a>		Flatness Aplatissement  Max 3.0mm Projection 
Customer Client	Date	
Drawn By Dessiné Par	BoxCad: BoxCad	Date 27-May-15
Material Matière	16 Ga Cold Rolled A1008 CS Type B (1.4mm)	
Color Couleur	Asa-61 Grey	Finish Fini Smooth
Description	Detail Rev.	
1100WEN 8" x 8" x 36" Body		
Part Number Numéro Pièce	Rev.	1 7
<b>1100WE080836NB</b>	<b>0</b>	

SEE BILL OF MATERIAL ON LAST PAGE

This drawing is confidential and must not be reproduced or used without the consent of EXM

Ce dessin est confidentiel et ne doit pas être reproduit ou utilisé sans le consentement de EXM

STANDARD FEATURES ARE NOT LISTED IN THIS HOLE TABLE			
HOLE TABLE - BACK VIEW (CUSTOM FEATURE ONLY)			
CUT-OUT	XDIM	YDIM	DESCRIPTION
1	35.000	1.000	RND Ø0.290
2	35.000	7.000	RND Ø0.290
3	1.000	7.000	RND Ø0.290
4	1.000	1.000	RND Ø0.290

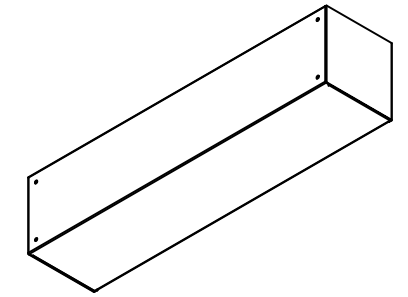


	Description	Status
	1100WEN 8" x 8" x 36" Body	(NULL)
	Part Number Numéro Pièce	Rev.
	<b>1100WE080836NB</b>	<b>0</b>
		6
		7

This drawing is confidential and must not be reproduced or used without the consent of EXM


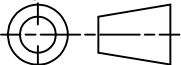
Ce dessin est confidentiel et ne doit pas être reproduit ou utilisé sans le consentement de EXM

No.	Revisions	Date	By/Par



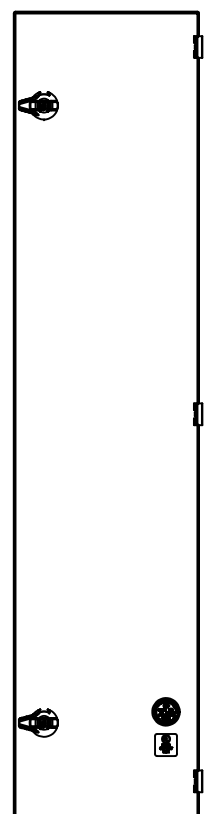
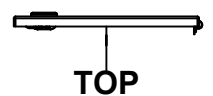
Isometric View



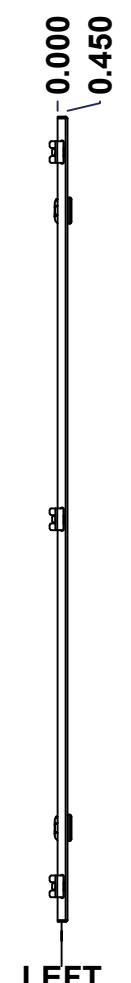
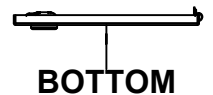
 Tél: (450) 979-4373 Fax: (450) 979-4626 <a href="http://www.exmweb.com">www.exmweb.com</a>		Flatness Aplatissement Max 3.0mm Projection 														
Customer Client	Date															
Drawn By Dessiné Par	BoxCad: BoxCad	Date 27-May-15														
Material Matière	16 Ga Cold Rolled A1008 CS Type B (1.4mm)															
Color Couleur	Asa-61 Grey	Finish Fini Smooth														
Description 1100WEN 8" x 8" x 36" Body		Detail Rev.														
Part Number Numéro Pièce	<b>1100WE080836NB</b>	Rev. <b>0</b>														
<table border="1"> <thead> <tr> <th>Qty</th> <th>Part Number</th> <th>Rev</th> <th>Description</th> </tr> </thead> <tbody> <tr> <td>1</td> <td>1100WE080836NB-P</td> <td>0</td> <td>1100WEN 8" x 8" x 36" Body Part</td> </tr> <tr> <td>1</td> <td>STK-P-02400S</td> <td>0</td> <td>Powder Paint (Asa-61 Grey / Smooth)</td> </tr> </tbody> </table>		Qty	Part Number	Rev	Description	1	1100WE080836NB-P	0	1100WEN 8" x 8" x 36" Body Part	1	STK-P-02400S	0	Powder Paint (Asa-61 Grey / Smooth)	<table border="1"> <tr> <td>7</td> </tr> <tr> <td>7</td> </tr> </table>	7	7
Qty	Part Number	Rev	Description													
1	1100WE080836NB-P	0	1100WEN 8" x 8" x 36" Body Part													
1	STK-P-02400S	0	Powder Paint (Asa-61 Grey / Smooth)													
7																
7																
Parts List																

This drawing is confidential and must not be reproduced or used without the consent of EXM

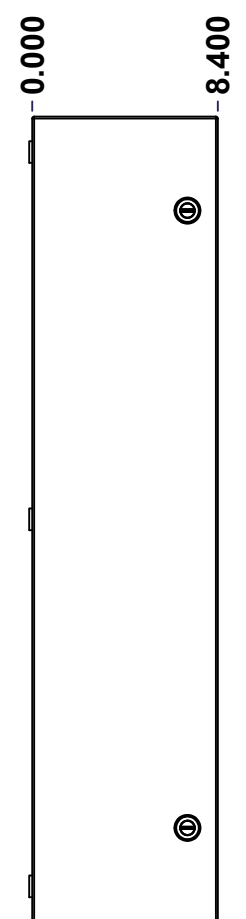
Ce dessin est confidentiel et ne doit pas être reproduit ou utilisé sans le consentement de EXM



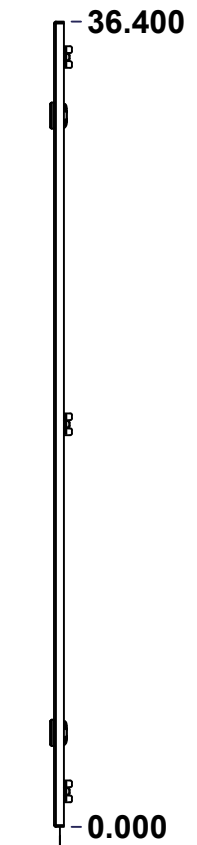
BACK



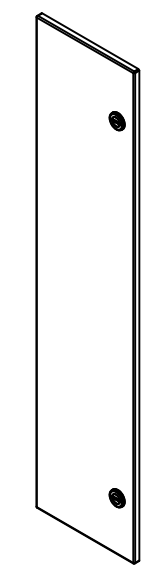
LEFT



FRONT



RIGHT



Isometric View



No.	Revisions	Date	By/Par

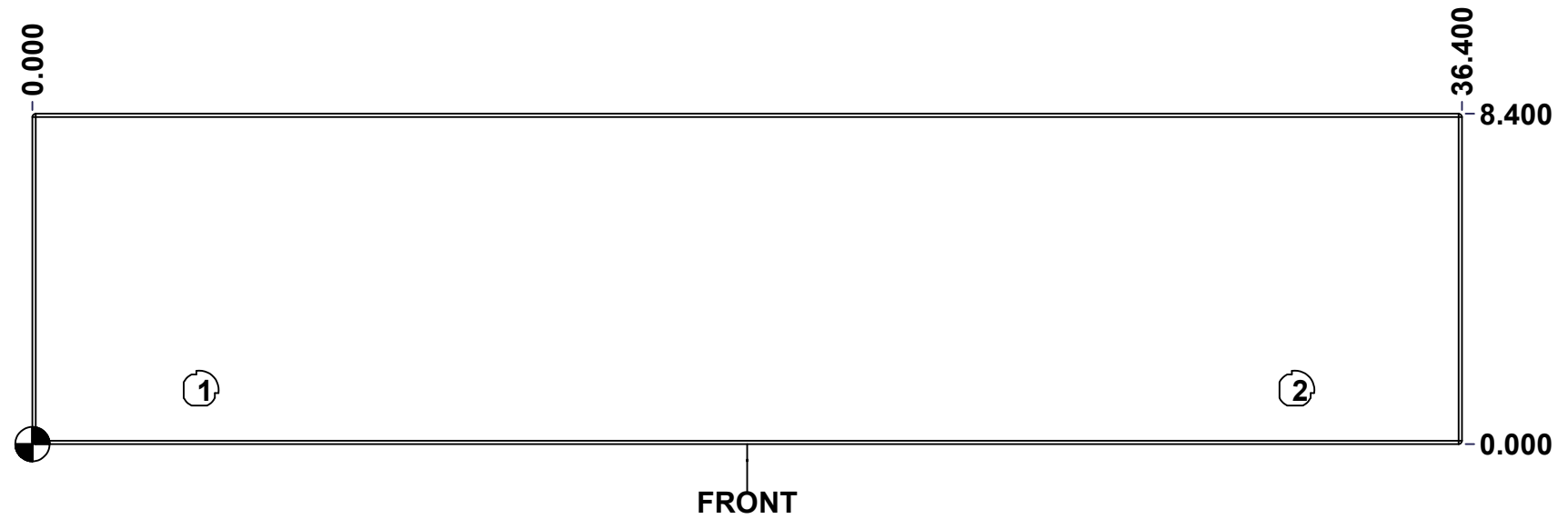
Tél: (450) 979-4373 Fax: (450) 979-4626 <a href="http://www.exmweb.com">www.exmweb.com</a>		Flatness Aplatissement Max 3.0mm Projection 
Customer Client	Date	
Drawn By Dessiné Par	BoxCad: BoxCad	Date 27-May-15
Material Matière	16 Ga Cold Rolled A1008 CS Type B (1.4mm)	
Color Couleur	Asa-61 Grey	Finish Fini Smooth
Description	Detail Rev.	
1100WEN 8" x 36" Cover		
Part Number Numéro Pièce	Rev.	1
<b>1100WE080836NC</b>	<b>0</b>	3

SEE BILL OF MATERIAL ON LAST PAGE

This drawing is confidential and must not be reproduced or used without the consent of EXM

Ce dessin est confidentiel et ne doit pas être reproduit ou utilisé sans le consentement de EXM

STANDARD FEATURES ARE NOT LISTED IN THIS HOLE TABLE			
HOLE TABLE - FRONT VIEW (CUSTOM FEATURE ONLY)			
CUT-OUT	XDIM	YDIM	DESCRIPTION
1	4.250	1.375	LOCK 880 SCQ1-SL @ 270.0°
2	32.150	1.375	LOCK 880 SCQ1-SL @ 270.0°

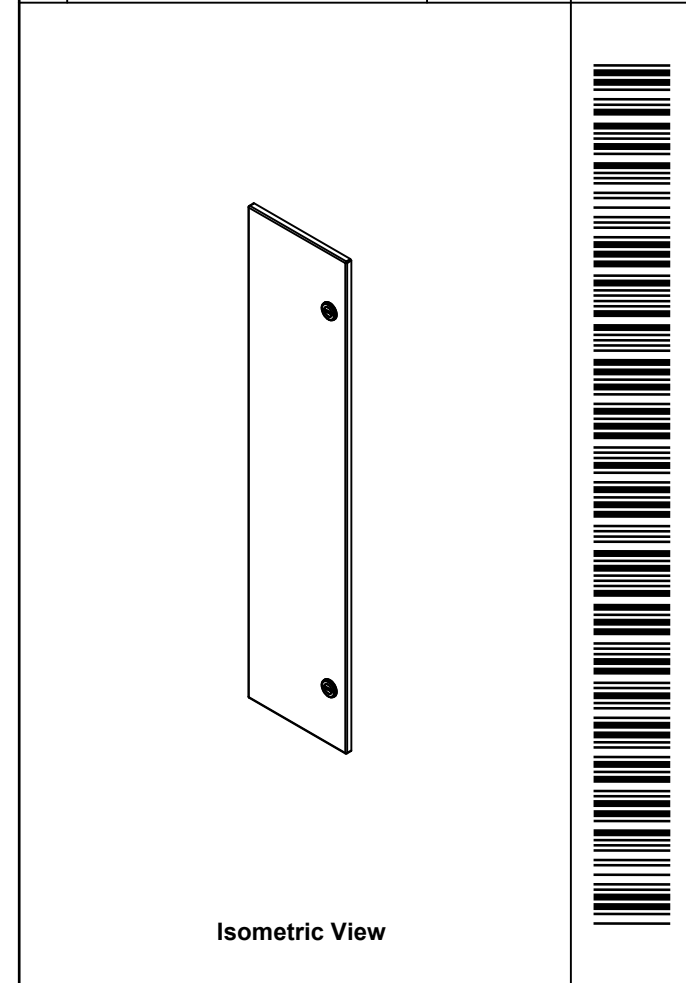


	Description	Status	
	1100WEN 8" x 36" Cover	(NULL)	
	Part Number Numéro Pièce	Rev.	
	<b>1100WE080836NC</b>	<b>0</b>	2 3

This drawing is confidential and must not be reproduced or used without the consent of EXM

Ce dessin est confidentiel et ne doit pas être reproduit ou utilisé sans le consentement de EXM

No.	Revisions	Date	By/Par



Tél: (450) 979-4373 Fax: (450) 979-4626 <a href="http://www.exmweb.com">www.exmweb.com</a>		Flatness Aplatissement Max 3.0mm Projection 
Customer Client	Date	
Drawn By Dessiné Par	BoxCad: BoxCad	Date 27-May-15
Material Matière 16 Ga Cold Rolled A1008 CS Type B (1.4mm)		
Color Couleur	Asa-61 Grey	Finish Fini Smooth
Description 1100WEN 8" x 36" Cover		Detail Rev.
Part Number Numéro Pièce	<b>1100WE080836NC</b>	Rev. 3

1	STK-S-00900	0	UL Cut-Out Box Sticker
1	STK-S-00800	2	CSA Electrical Box Sticker
3	STK-Q-33361	0	Spring Steel Hinge
1	1100WE080836NC-P	0	1100WEN 8" x 36" Cover Part
1	STK-P-02400S	0	Powder Paint (Asa-61 Grey / Smooth)
2	880 SCQ1-SL	0	1100 1/4 Turn Lock
Qty	Part Number	Rev	Description
Parts List			