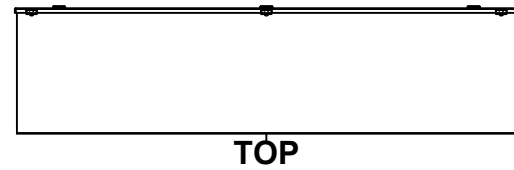
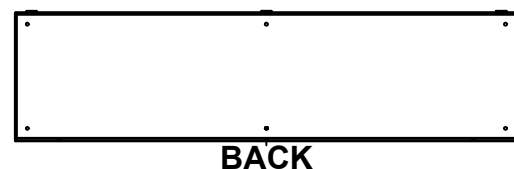


This drawing is confidential and must not be reproduced or used without the consent of EXM

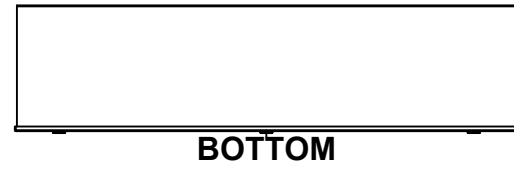
Ce dessin est confidentiel et ne doit pas être reproduit ou utilisé sans le consentement de EXM



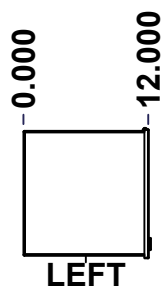
TOP



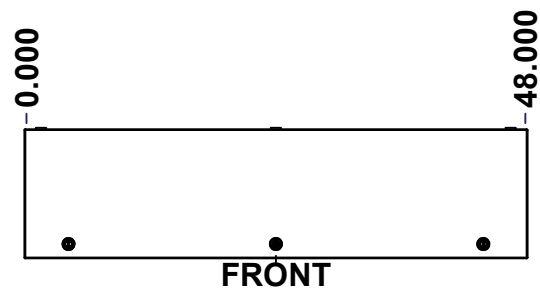
BACK



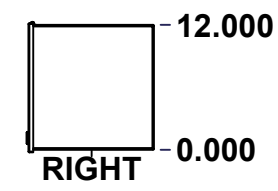
BOTTOM



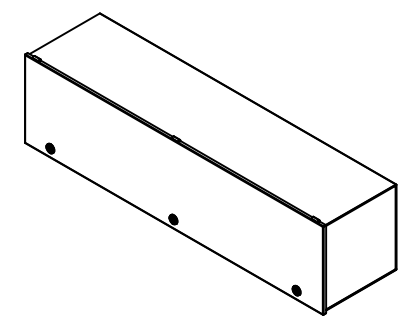
LEFT



FRONT



RIGHT



Isometric View



No.	Revisions	Date	By/Par



Tél: (450) 979-4373
 Fax: (450) 979-4626
www.exmweb.com

Flatness
Aplatissement
Max 3.0mm
Projection

Customer Client	Date
Drawn By Dessiné Par BoxCad: BoxCad	Date 28-May-15
Material Matière 16 Ga Cold Rolled A1008 CS Type B (1.4mm)	
Color Couleur Asa-61 Grey	Finish Fini Smooth
Description 1100WEN 12" x 12" x 48" Assembly	Detail Rev.
Part Number Numéro Pièce 1100WE121248N	Rev. 0

SEE BILL OF MATERIAL ON LAST PAGE

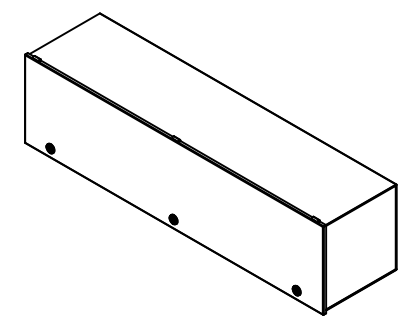
1
2

This drawing is confidential and must not be reproduced or used without the consent of EXM

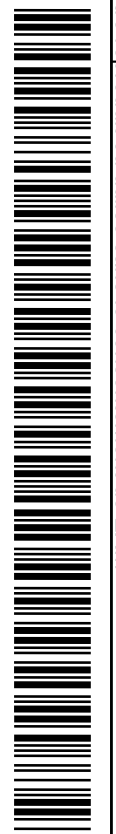
Ce dessin est confidentiel et ne doit pas être reproduit ou utilisé sans le consentement de EXM

NOTE	
ITEM	DESCRIPTION
1	NEMA 1 Enclosure
2	C/W Standard ground provision on box and cover
3	W/O Standard door stiffener
4	W/O Inner panel
5	W/O Inner panel mounting provision

No.	Revisions	Date	By/Par



Isometric View



Tél: (450) 979-4373
 Fax: (450) 979-4626
www.exmweb.com

Flatness
Aplatissement
Max 3.0mm
Projection

Customer Client	Date
Drawn By / Dessiné Par: BoxCad: BoxCad	Date: 28-May-15
Material / Matière: 16 Ga Cold Rolled A1008 CS Type B (1.4mm)	
Color / Couleur: Asa-61 Grey	Finish / Fini: Smooth

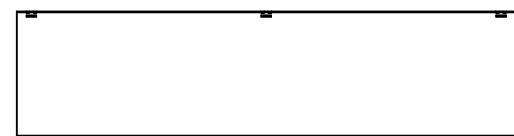
PACKING		
ITEM	QTY	DESCRIPTION
Thermal plastic film	1	Use with Packing Tunnel Wrapper Machine
Packaging label	1	White label with product number

Qty	Part Number	Rev	Description
1	1100WE121248NC	0	1100WEN 12" x 48" Cover
1	1100WE121248NB	0	1100WEN 12" x 12" x 48" Body
Parts List			

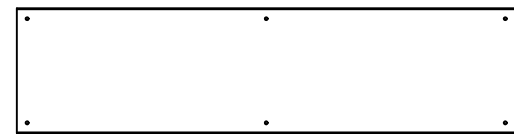
Description: 1100WEN 12" x 12" x 48" Assembly		Detail Rev.	
Part Number / Numéro Pièce: 1100WE121248N		Rev.:	2
		0	2

This drawing is confidential and must not be reproduced or used without the consent of EXM

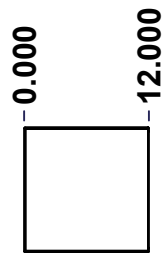
Ce dessin est confidentiel et ne doit pas être reproduit ou utilisé sans le consentement de EXM



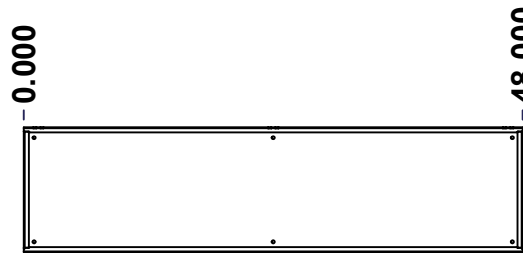
TOP



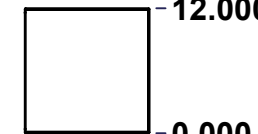
BACK



LEFT



FRONT

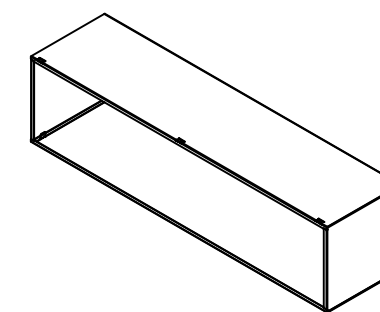


RIGHT



BOTTOM

No.	Revisions	Date	By/Par



Isometric View



Tél: (450) 979-4373
 Fax: (450) 979-4626
www.exmweb.com

Flatness
Aplatissement

Max 3.0mm

Projection



Customer Client	Date
Drawn By / Dessiné Par: BoxCad: BoxCad	Date: 28-May-15

Material / Matière: 16 Ga Cold Rolled A1008 CS Type B (1.4mm)

Color / Couleur: Asa-61 Grey	Finish / Fini: Smooth
------------------------------	-----------------------

Description: 1100WEN 12" x 12" x 48" Body	Detail Rev.
---	-------------

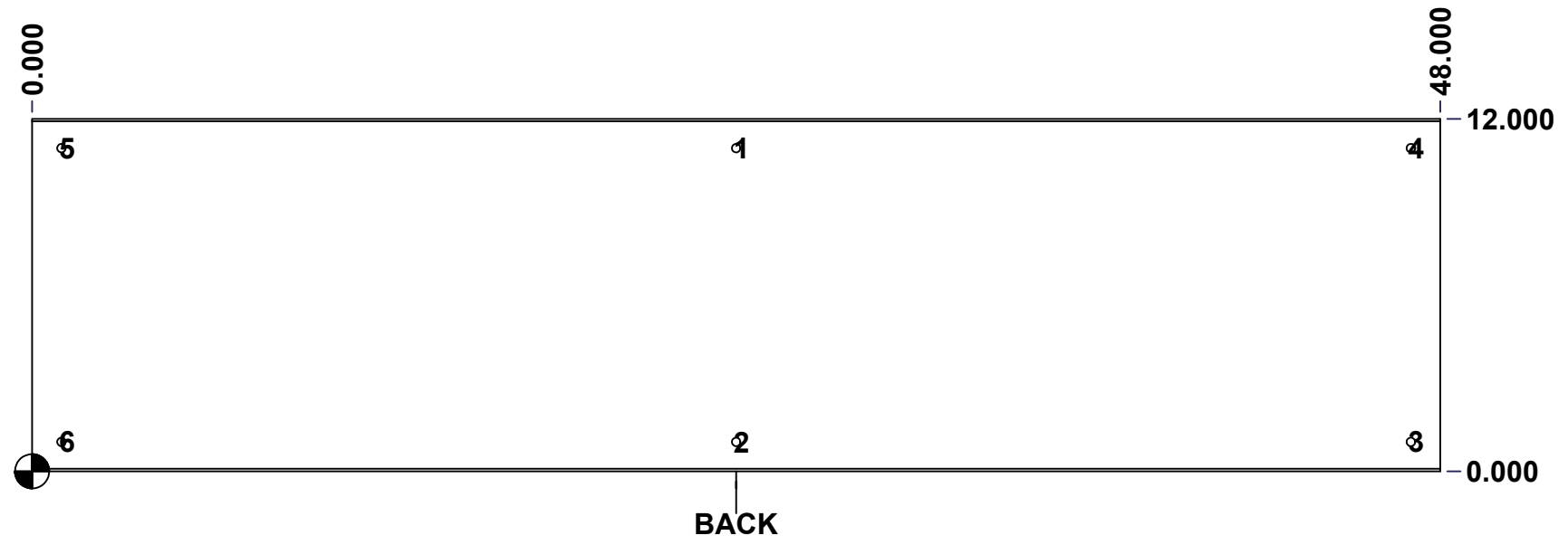
Part Number / Numéro Pièce: 1100WE121248NB	Rev. 0	1 / 7
---	--------	-------

SEE BILL OF MATERIAL ON LAST PAGE

This drawing is confidential and must not be reproduced or used without the consent of EXM

Ce dessin est confidentiel et ne doit pas être reproduit ou utilisé sans le consentement de EXM

STANDARD FEATURES ARE NOT LISTED IN THIS HOLE TABLE			
HOLE TABLE - BACK VIEW (CUSTOM FEATURE ONLY)			
CUT-OUT	XDIM	YDIM	DESCRIPTION
1	24.000	11.000	RND Ø0.290
2	24.000	1.000	RND Ø0.290
3	47.000	1.000	RND Ø0.290
4	47.000	11.000	RND Ø0.290
5	1.000	11.000	RND Ø0.290
6	1.000	1.000	RND Ø0.290

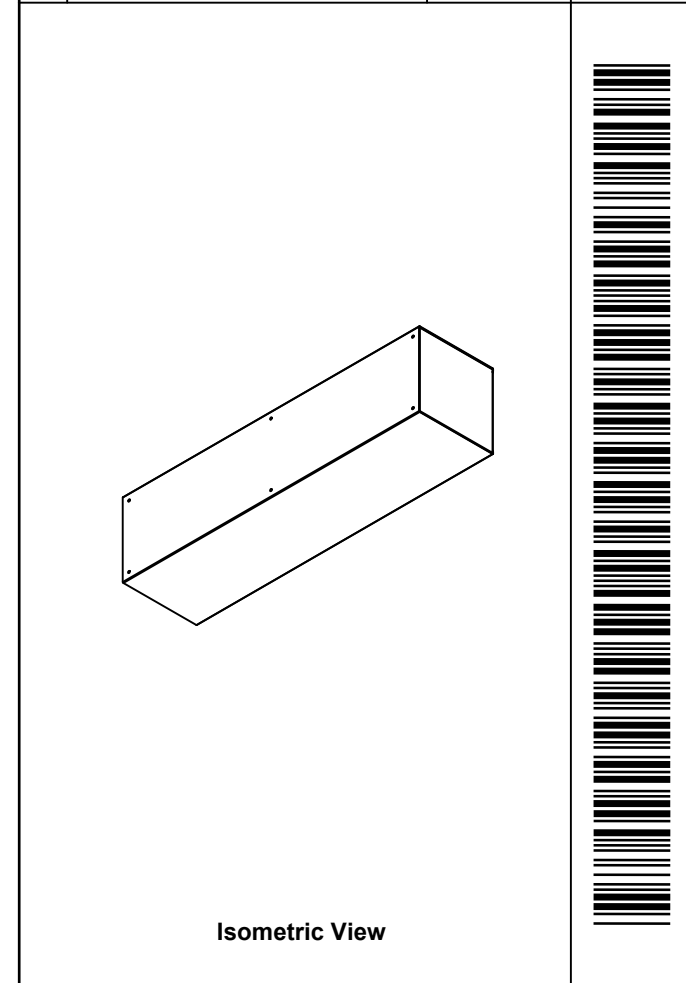


	Description	Status	
	1100WEN 12" x 12" x 48" Body	(NULL)	
	Part Number Numéro Pièce	Rev.	
	1100WE121248NB	0	6 7

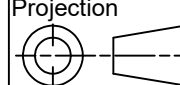
This drawing is confidential and must not be reproduced or used without the consent of EXM

Ce dessin est confidentiel et ne doit pas être reproduit ou utilisé sans le consentement de EXM

No.	Revisions	Date	By/Par



Isometric View

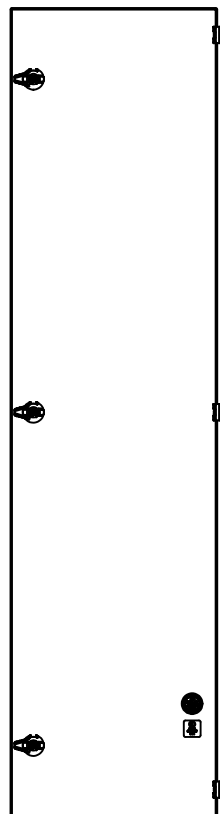
 Tél: (450) 979-4373 Fax: (450) 979-4626 www.exmweb.com		Flatness Aplatissement Max 3.0mm Projection 
Customer Client	Date	
Drawn By Dessiné Par	BoxCad: BoxCad	Date 28-May-15
Material Matière	16 Ga Cold Rolled A1008 CS Type B (1.4mm)	
Color Couleur	Asa-61 Grey	Finish Fini Smooth
Description		Detail Rev.
1100WEN 12" x 12" x 48" Body		
Part Number Numéro Pièce	Rev.	7
1100WE121248NB	0	7

Qty	Part Number	Rev	Description
1	1100WE121248NR-P	0	1100WEN 12" x 12" Body Part
1	1100WE121248NL-P	0	1100WEN 12" x 12" Body Part
1	1100WE121248NB-P	0	1100WEN 12" x 12" x 48" Body Part
1	STK-P-02400S	0	Powder Paint (Asa-61 Grey / Smooth)
Parts List			

This drawing is confidential and must not be reproduced or used without the consent of EXM

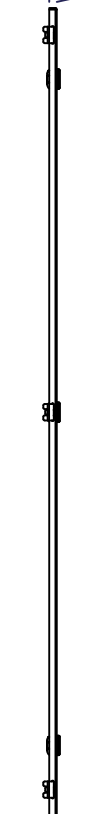
Ce dessin est confidentiel et ne doit pas être reproduit ou utilisé sans le consentement de EXM

TOP



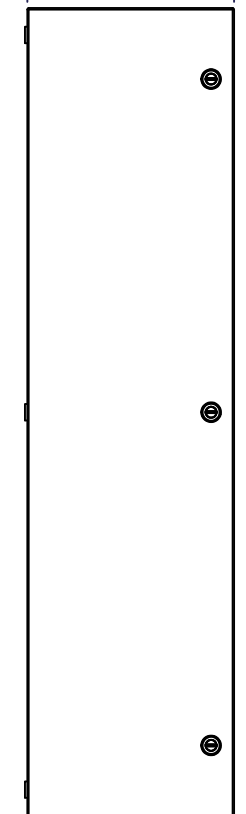
BACK

0.000
0.450



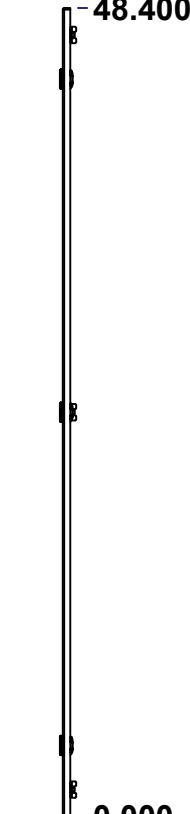
LEFT

0.000
12.400



FRONT

48.400



RIGHT

BOTTOM

No.	Revisions	Date	By/Par

Isometric View

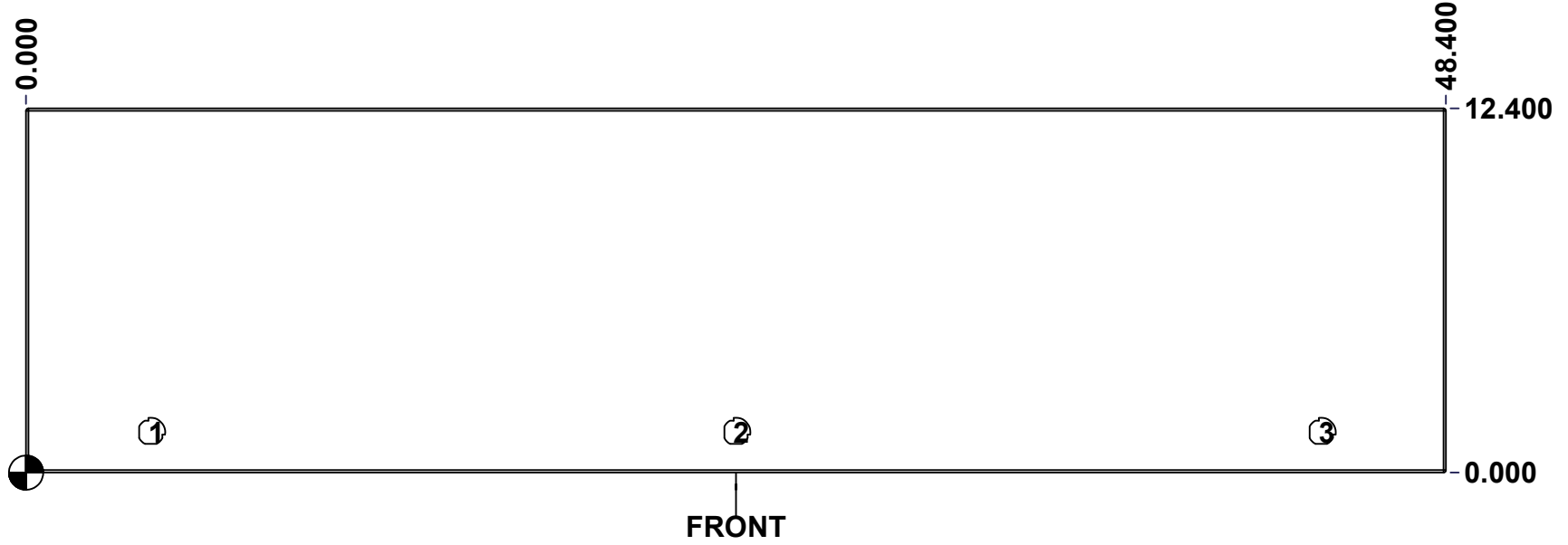
Tél: (450) 979-4373 Fax: (450) 979-4626 www.exmweb.com		Flatness Aplatissement Max 3.0mm Projection
Customer Client	Date	
Drawn By Dessiné Par	BoxCad: BoxCad	Date 28-May-15
Material Matière	16 Ga Cold Rolled A1008 CS Type B (1.4mm)	
Color Couleur	Asa-61 Grey	Finish Fini Smooth
Description	Detail Rev.	
1100WEN 12" x 48" Cover		
Part Number Numéro Pièce	Rev.	1 3
1100WE121248NC	0	

SEE BILL OF MATERIAL ON LAST PAGE

This drawing is confidential and must not be reproduced or used without the consent of EXM

Ce dessin est confidentiel et ne doit pas être reproduit ou utilisé sans le consentement de EXM

STANDARD FEATURES ARE NOT LISTED IN THIS HOLE TABLE			
HOLE TABLE - FRONT VIEW (CUSTOM FEATURE ONLY)			
CUT-OUT	XDIM	YDIM	DESCRIPTION
1	4.250	1.375	LOCK 880 SCQ1-SL @ 270.0°
2	24.200	1.375	LOCK 880 SCQ1-SL @ 270.0°
3	44.150	1.375	LOCK 880 SCQ1-SL @ 270.0°

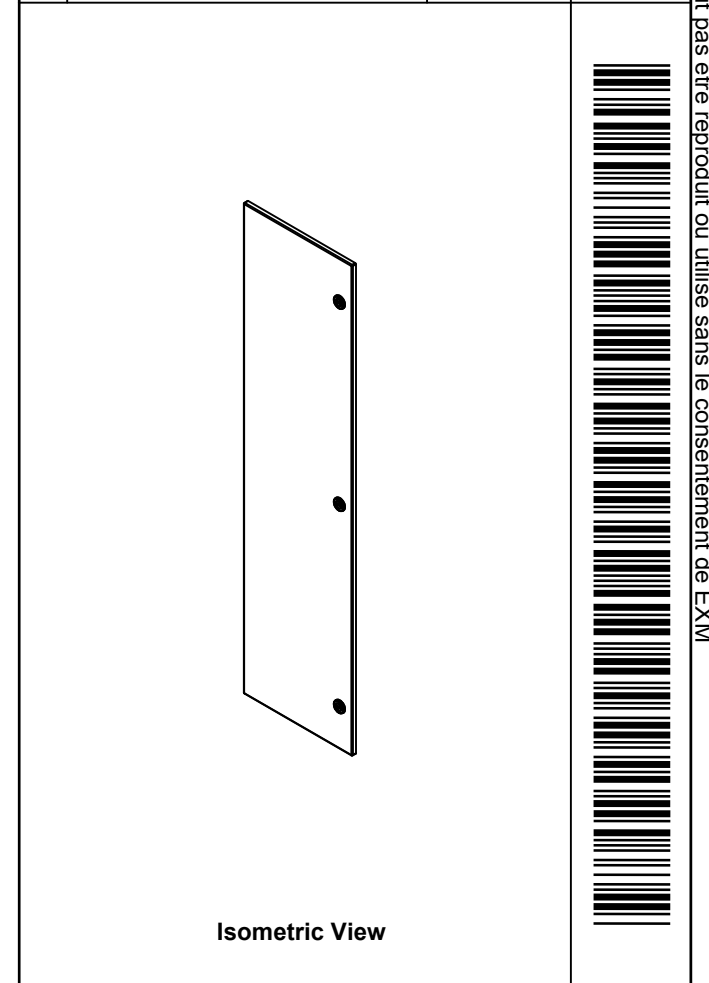



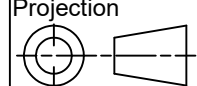
	Description	Status	
	1100WEN 12" x 48" Cover	(NULL)	
	Part Number Numéro Pièce	Rev.	
	1100WE121248NC	0	2 3

This drawing is confidential and must not be reproduced or used without the consent of EXM

Ce dessin est confidentiel et ne doit pas être reproduit ou utilisé sans le consentement de EXM

No.	Revisions	Date	By/Par



 Tél: (450) 979-4373 Fax: (450) 979-4626 www.exmweb.com		Flatness Aplatissement Max 3.0mm Projection 																														
Customer Client	Date																															
Drawn By Dessiné Par	BoxCad: BoxCad	Date 28-May-15																														
Material Matière 16 Ga Cold Rolled A1008 CS Type B (1.4mm)																																
Color Couleur	Asa-61 Grey	Finish Fini Smooth																														
Description 1100WEN 12" x 48" Cover		Detail Rev.																														
Part Number Numéro Pièce	1100WE121248NC	Rev. 3																														
<table border="1" style="width: 100%;"> <thead> <tr> <th>Qty</th> <th>Part Number</th> <th>Rev</th> <th>Description</th> </tr> </thead> <tbody> <tr> <td>1</td> <td>STK-S-00900</td> <td>0</td> <td>UL Cut-Out Box Sticker</td> </tr> <tr> <td>1</td> <td>STK-S-00800</td> <td>2</td> <td>CSA Electrical Box Sticker</td> </tr> <tr> <td>3</td> <td>STK-Q-33361</td> <td>0</td> <td>Spring Steel Hinge</td> </tr> <tr> <td>1</td> <td>1100WE121248NC-P</td> <td>0</td> <td>1100WEN 12" x 48" Cover Part</td> </tr> <tr> <td>1</td> <td>STK-P-02400S</td> <td>0</td> <td>Powder Paint (Asa-61 Grey / Smooth)</td> </tr> <tr> <td>3</td> <td>880 SCQ1-SL</td> <td>0</td> <td>1100 1/4 Turn Lock</td> </tr> </tbody> </table>		Qty	Part Number	Rev	Description	1	STK-S-00900	0	UL Cut-Out Box Sticker	1	STK-S-00800	2	CSA Electrical Box Sticker	3	STK-Q-33361	0	Spring Steel Hinge	1	1100WE121248NC-P	0	1100WEN 12" x 48" Cover Part	1	STK-P-02400S	0	Powder Paint (Asa-61 Grey / Smooth)	3	880 SCQ1-SL	0	1100 1/4 Turn Lock	<table border="1" style="width: 100%;"> <tr> <td colspan="2" style="text-align: center;">Parts List</td> </tr> </table>	Parts List	
Qty	Part Number	Rev	Description																													
1	STK-S-00900	0	UL Cut-Out Box Sticker																													
1	STK-S-00800	2	CSA Electrical Box Sticker																													
3	STK-Q-33361	0	Spring Steel Hinge																													
1	1100WE121248NC-P	0	1100WEN 12" x 48" Cover Part																													
1	STK-P-02400S	0	Powder Paint (Asa-61 Grey / Smooth)																													
3	880 SCQ1-SL	0	1100 1/4 Turn Lock																													
Parts List																																