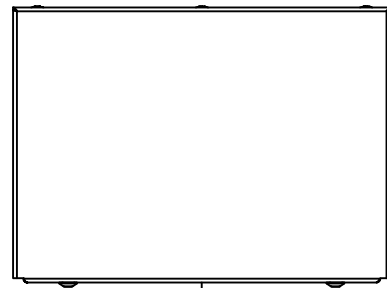
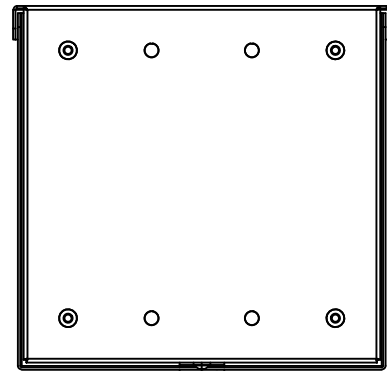


This drawing is confidential and must not be reproduced or used without the consent of EXM

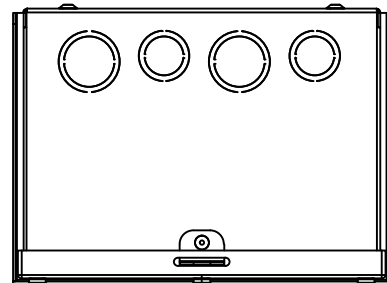
Ce dessin est confidentiel et ne doit pas être reproduit ou utilisé sans le consentement de EXM



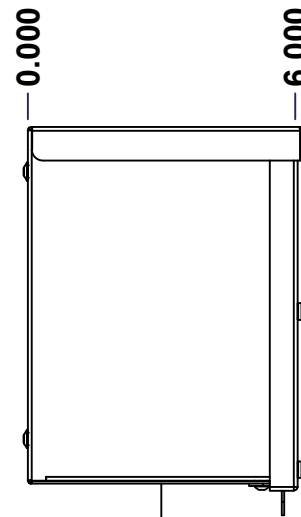
TOP



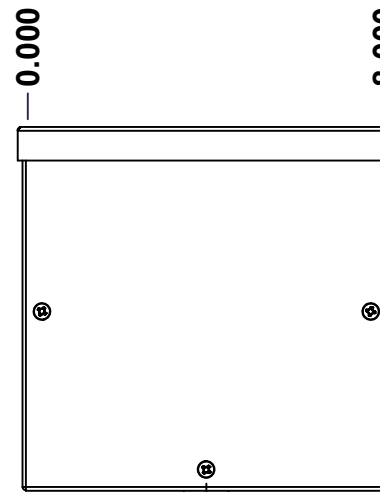
BACK



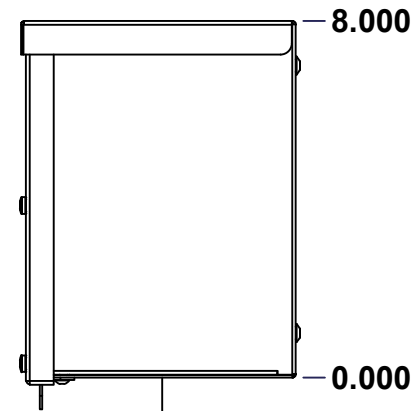
BOTTOM



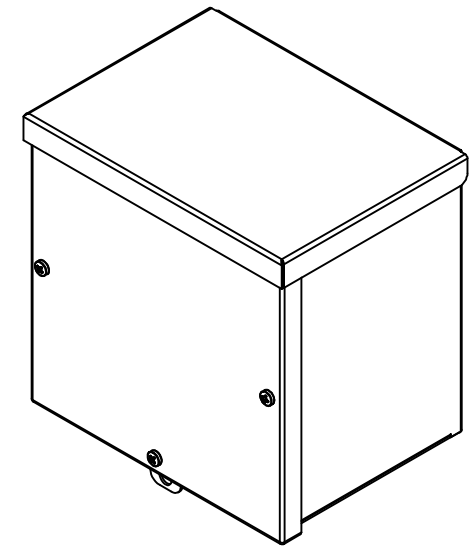
LEFT



FRONT




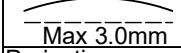
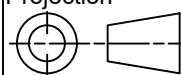
RIGHT



Isometric View



| No. | Revisions | Date | By/Par |
|-----|-----------|------|--------|
| | | | |
| | | | |
| | | | |
| | | | |

| | | |
|--|----------------------------|---|
|  Tél: (450) 979-4373 Fax: (450) 979-4626 www.exmweb.com | | Flatness Aplatissement  Max 3.0mm Projection  |
| Customer Client | | Date |
| Drawn By Dessiné Par | BoxCad: BoxCad | Date 17-Oct-19 |
| Material Matière | 16 Ga H.R.P. & O. (1.4mm) | |
| Color Couleur | Asa-61 Grey | Finish Fini Smooth |
| Description | 1300 8" x 8" x 6" Assembly | |
| Part Number Numéro Pièce | 1300080806 | Detail Rev. |
| | Rev. 0 | 1 / 7 |

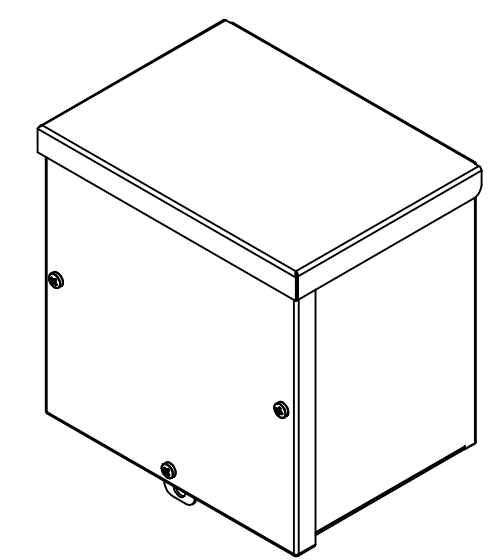
SEE BILL OF MATERIAL ON LAST PAGE

This drawing is confidential and must not be reproduced or used without the consent of EXM

Ce dessin est confidentiel et ne doit pas être reproduit ou utilisé sans le consentement de EXM

| NOTE | |
|------|------------------------------------|
| ITEM | DESCRIPTION |
| 1 | NEMA 3/3R Enclosure |
| 2 | W/O Standard door stiffener |
| 3 | W/O Inner panel |
| 4 | W/O Inner panel mounting standoffs |

| No. | Revisions | Date | By/Par |
|-----|-----------|------|--------|
| | | | |
| | | | |
| | | | |
| | | | |
| | | | |



Isometric View



Tél: (450) 979-4373
 Fax: (450) 979-4626
www.exmweb.com



| | |
|---|-----------------------|
| Customer Client | Date |
| Drawn By / Dessiné Par: BoxCad: BoxCad | Date: 17-Oct-19 |
| Material / Matière: 16 Ga H.R.P. & O. (1.4mm) | |
| Color / Couleur: Asa-61 Grey | Finish / Fini: Smooth |

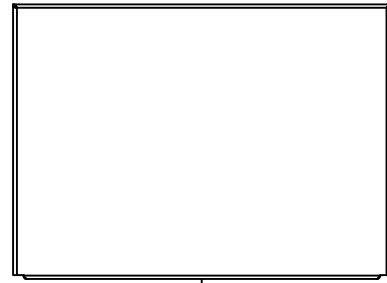
| PACKING | | |
|----------------------|-----|---|
| ITEM | QTY | DESCRIPTION |
| Thermal plastic film | 1 | Use with Packing Tunnel Wrapper Machine |
| Packaging label | 1 | White label with product number |

| Qty | Part Number | Rev | Description |
|------------|-------------|-----|-------------------------|
| 1 | STK-K-03100 | 3 | 1300 CH - Accessory Kit |
| 1 | 1300080806C | 0 | 1300 8" x 8" Cover |
| 1 | 1300080806B | 0 | 1300 8" x 8" x 6" Body |
| Parts List | | | |

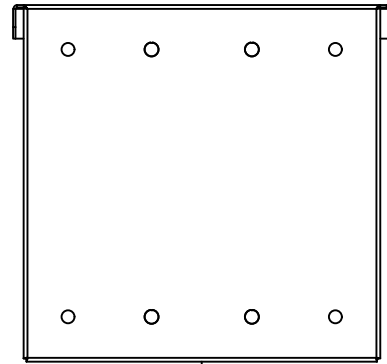
| | | | |
|---|--|-------------|---|
| Description: 1300 8" x 8" x 6" Assembly | | Detail Rev. | |
| Part Number / Numéro Pièce: 1300080806 | | Rev.: | 2 |
| | | 0 | 7 |

This drawing is confidential and must not be reproduced or used without the consent of EXM

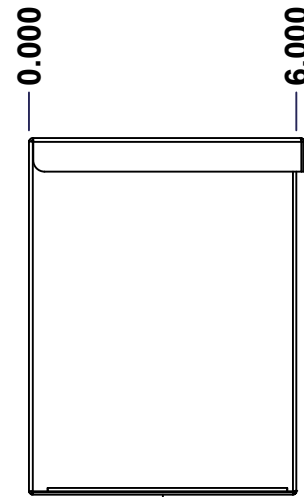
Ce dessin est confidentiel et ne doit pas être reproduit ou utilisé sans le consentement de EXM



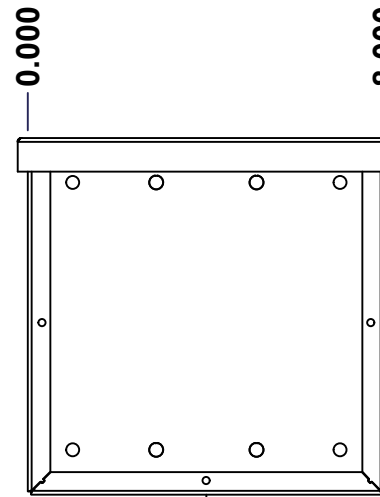
TOP



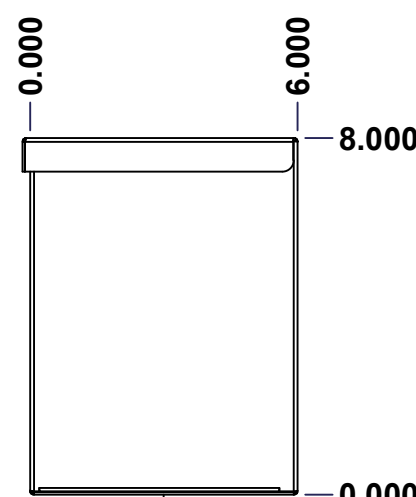
BACK



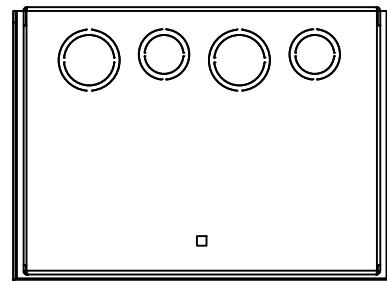
LEFT



FRONT

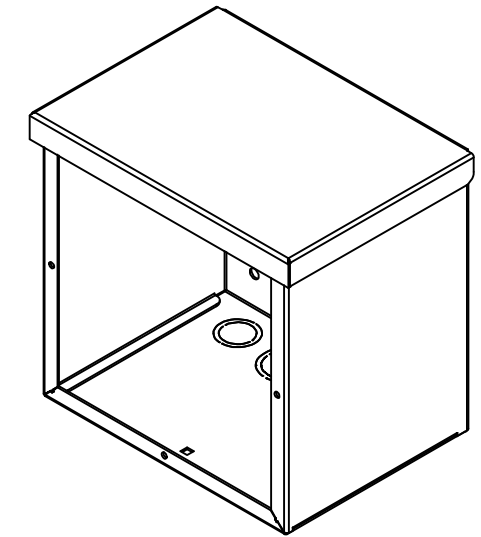


RIGHT



BOTTOM

| No. | Revisions | Date | By/Par |
|-----|-----------|------|--------|
| | | | |
| | | | |
| | | | |
| | | | |



Isometric View

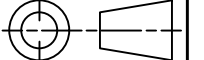


Tél: (450) 979-4373
 Fax: (450) 979-4626
www.exmweb.com

Flatness
Aplatissement

Max 3.0mm

Projection



| | |
|--|------------------------|
| Customer Client | Date |
| Drawn By Dessiné Par BoxCad: BoxCad | Date 17-Oct-19 |
| Material Matière 16 Ga H.R.P. & O. (1.4mm) | |
| Color Couleur Asa-61 Grey | Finish Fini Smooth |
| Description 1300 8" x 8" x 6" Body | Detail Rev. |
| Part Number Numéro Pièce 1300080806B | Rev. 3 0 / 7 |

SEE BILL OF MATERIAL ON LAST PAGE

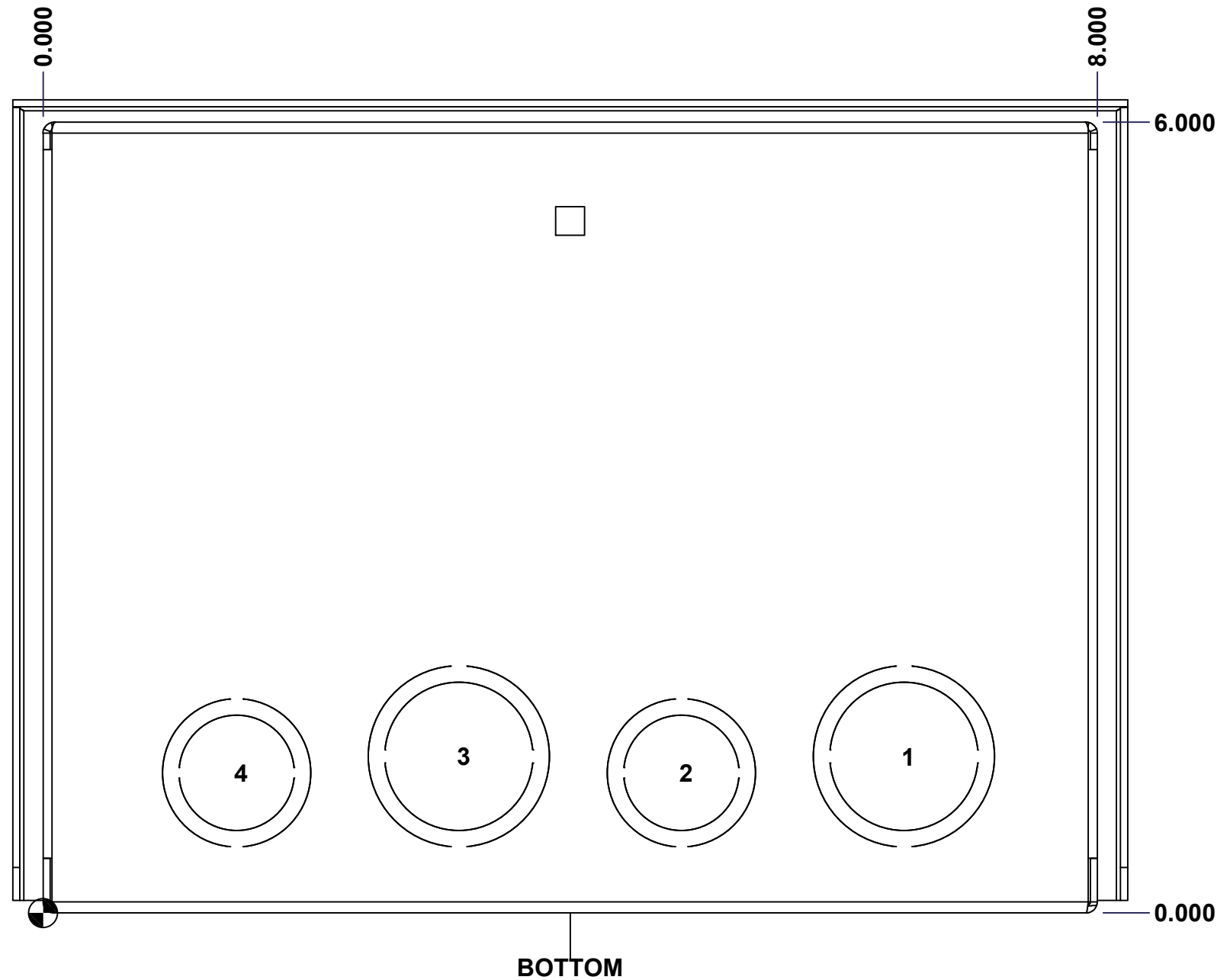
This drawing is confidential and must not be reproduced or used without the consent of EXM

Ce dessin est confidentiel et ne doit pas être reproduit ou utilisé sans le consentement de EXM

STANDARD FEATURES ARE NOT LISTED IN THIS HOLE TABLE

HOLE TABLE - BOTTOM VIEW (CUSTOM FEATURE ONLY)

| CUT-OUT | XDIM | YDIM | DESCRIPTION |
|---------|-------|-------|--------------------|
| 1 | 6.532 | 1.188 | DKO Ø1.375 - 1.125 |
| 2 | 4.844 | 1.063 | DKO Ø1.125 - 0.875 |
| 3 | 3.156 | 1.188 | DKO Ø1.375 - 1.125 |
| 4 | 1.468 | 1.063 | DKO Ø1.125 - 0.875 |

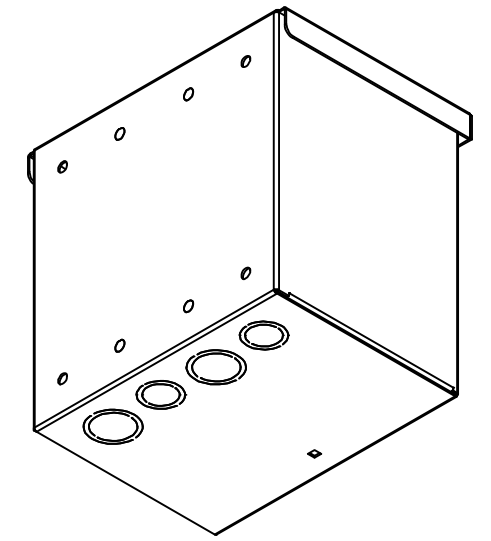


| | | | |
|--|-----------------------------|----------|-------|
| | Description | Status | |
| | 1300 8" x 8" Body | (NULL) | |
| | Part Number Numéro Pièce | Rev. | |
| | 1300080806B | 0 | 4 / 7 |

This drawing is confidential and must not be reproduced or used without the consent of EXM


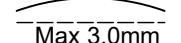
Ce dessin est confidentiel et ne doit pas être reproduit ou utilisé sans le consentement de EXM

| No. | Revisions | Date | By/Par |
|-----|-----------|------|--------|
| | | | |
| | | | |
| | | | |
| | | | |
| | | | |



Isometric View

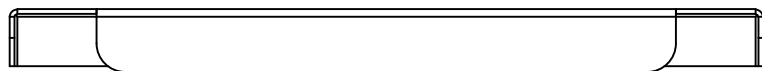


| | | |
|--|-----------------------|--|
|  Tél: (450) 979-4373 Fax: (450) 979-4626 www.exmweb.com | | Flatness Aplatissement  Max 3.0mm |
| Customer Client | | Date |
| Drawn By / Dessiné Par: BoxCad: BoxCad | | Date: 17-Oct-19 |
| Material / Matière: 16 Ga H.R.P. & O. (1.4mm) | | |
| Color / Couleur: Asa-61 Grey | Finish / Fini: Smooth | |
| Description: 1300 8" x 8" x 6" Body | | Detail Rev. |
| Part Number / Numéro Pièce: 1300080806B | | Rev. 5 0 / 7 |

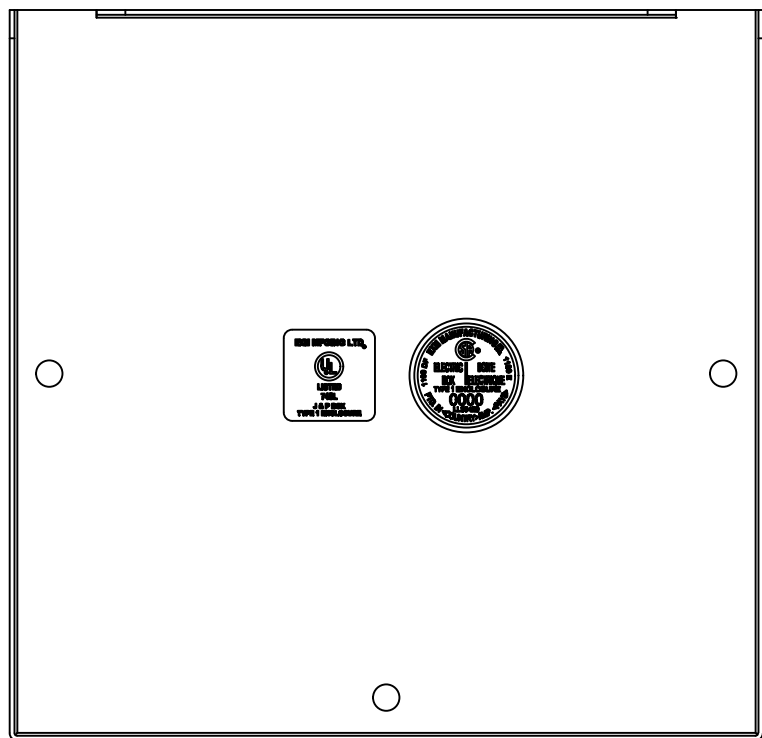
| Qty | Part Number | Rev | Description |
|------------|---------------|-----|-------------------------------------|
| 1 | STK-P-02400S | 0 | Powder Paint (Asa-61 Grey / Smooth) |
| 1 | 1300080806B-P | 0 | 1300 8" x 8" Body Part |
| Parts List | | | |

This drawing is confidential and must not be reproduced or used without the consent of EXM

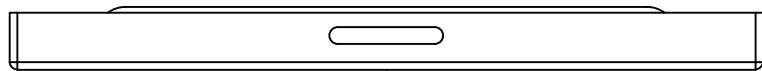
Ce dessin est confidentiel et ne doit pas être reproduit ou utilisé sans le consentement de EXM



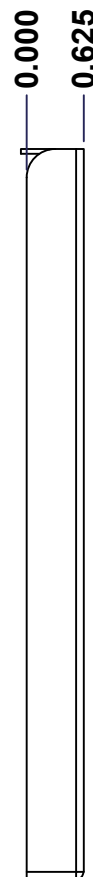
TOP



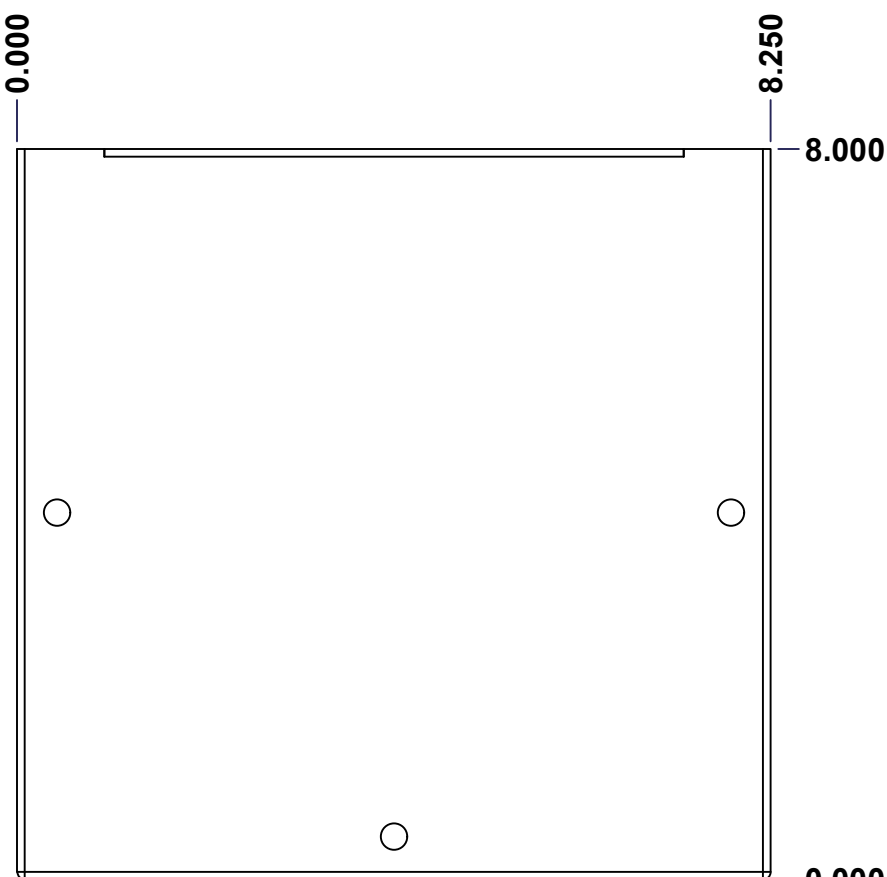
BACK



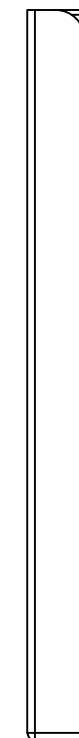
BOTTOM



LEFT

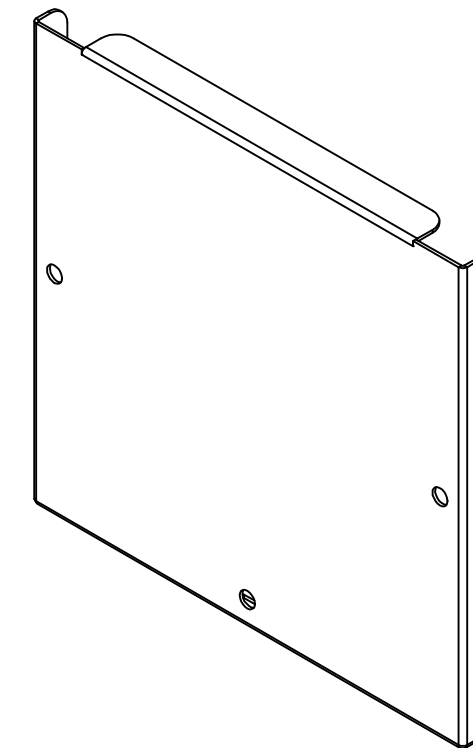


FRONT



RIGHT

| No. | Revisions | Date | By/Par |
|-----|-----------|------|--------|
| | | | |
| | | | |
| | | | |
| | | | |



Isometric View



Tél: (450) 979-4373
 Fax: (450) 979-4626
www.exmweb.com

Flatness
Aplatissement

Max 3.0mm

Projection



| | |
|---|-----------------------|
| Customer Client | Date |
| Drawn By Dessiné Par BoxCad: BoxCad | Date 17-Oct-19 |
| Material Matière 16 Ga H.R.P. & O. (1.4mm) | |
| Color Couleur Asa-61 Grey | Finish Fini Smooth |
| Description 1300 8" x 8" Cover | Detail Rev. |
| Part Number Numéro Pièce 1300080806C | Rev. 0 |

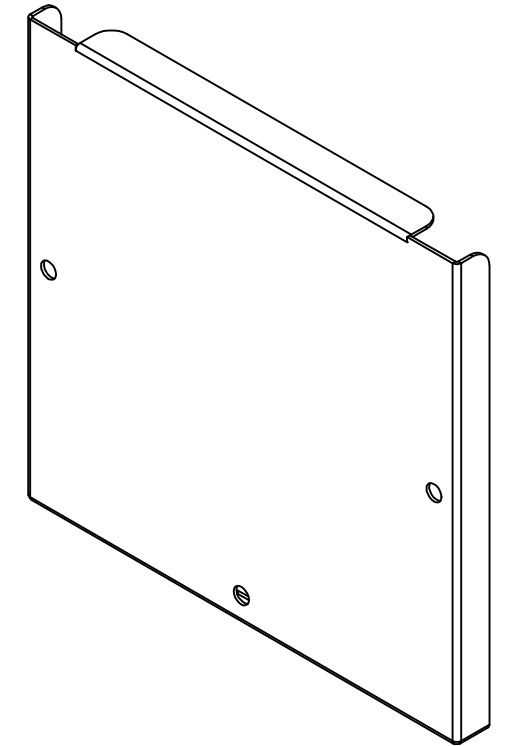
SEE BILL OF MATERIAL ON LAST PAGE

| |
|---|
| 6 |
| 7 |

This drawing is confidential and must not be reproduced or used without the consent of EXM

Ce dessin est confidentiel et ne doit pas être reproduit ou utilisé sans le consentement de EXM

| No. | Revisions | Date | By/Par |
|-----|-----------|------|--------|
| | | | |
| | | | |
| | | | |
| | | | |
| | | | |



Isometric View

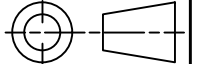


Tél: (450) 979-4373
 Fax: (450) 979-4626
www.exmweb.com

Flatness
Aplatissement

Max 3.0mm

Projection



| | |
|---|-----------------|
| Customer Client | Date |
| Drawn By / Dessiné Par: BoxCad: BoxCad | Date: 17-Oct-19 |
| Material / Matière: 16 Ga H.R.P. & O. (1.4mm) | |

| | |
|------------------------------|-----------------------|
| Color / Couleur: Asa-61 Grey | Finish / Fini: Smooth |
|------------------------------|-----------------------|

| 1 | STK-S-00950 | 1 | UL 74SL Pull-Box Sticker |
|------------|---------------|-----|-------------------------------------|
| 1 | STK-S-00800 | 2 | CSA Electrical Box Sticker |
| 1 | STK-P-02400S | 0 | Powder Paint (Asa-61 Grey / Smooth) |
| 1 | 1300080806C-P | 0 | 1300 8" x 8" Cover Part |
| Qty | Part Number | Rev | Description |
| Parts List | | | |

| | |
|--|-------------|
| Description: 1300 8" x 8" Cover | Detail Rev. |
| Part Number / Numéro Pièce: 1300080806C | Rev. 0 |

| |
|---|
| 7 |
| 7 |