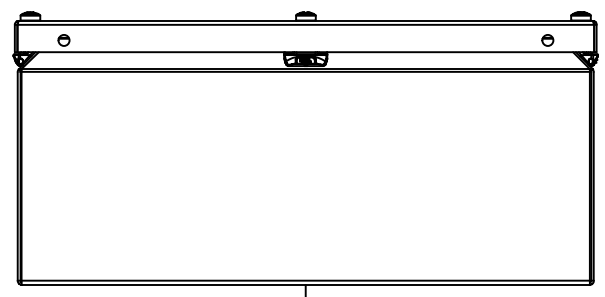
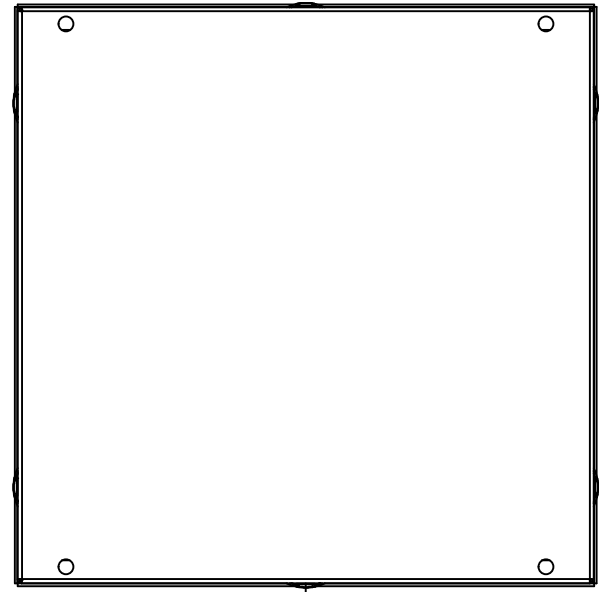


This drawing is confidential and must not be reproduced or used without the consent of EXM

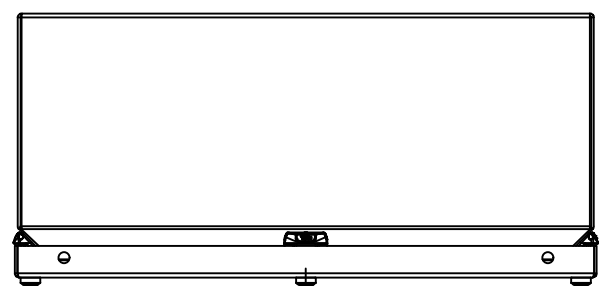
Ce dessin est confidentiel et ne doit pas être reproduit ou utilisé sans le consentement de EXM



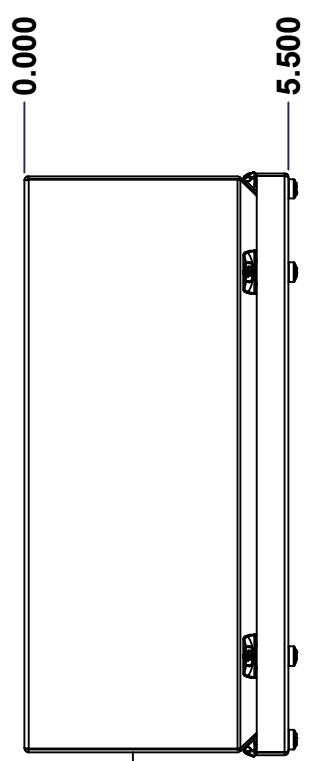
TOP



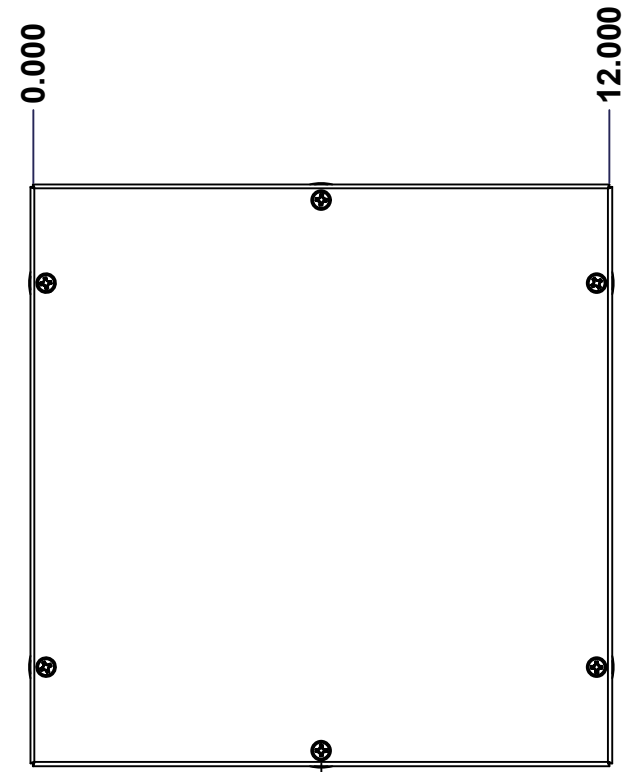
BACK



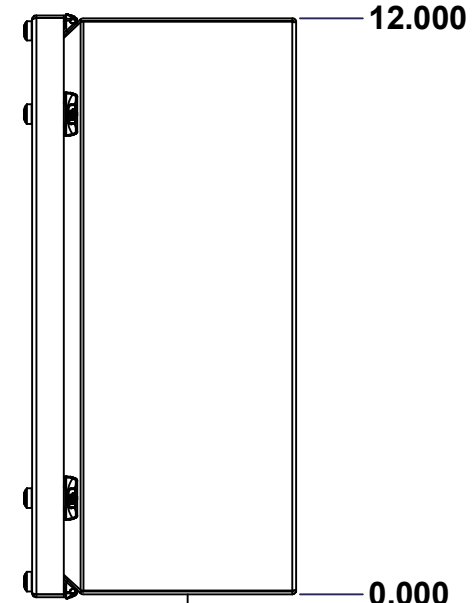
BOTTOM



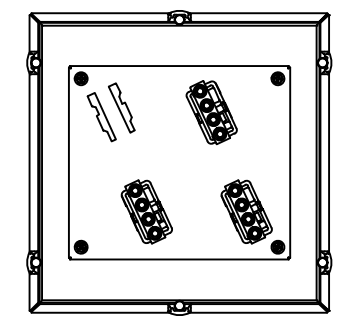
LEFT



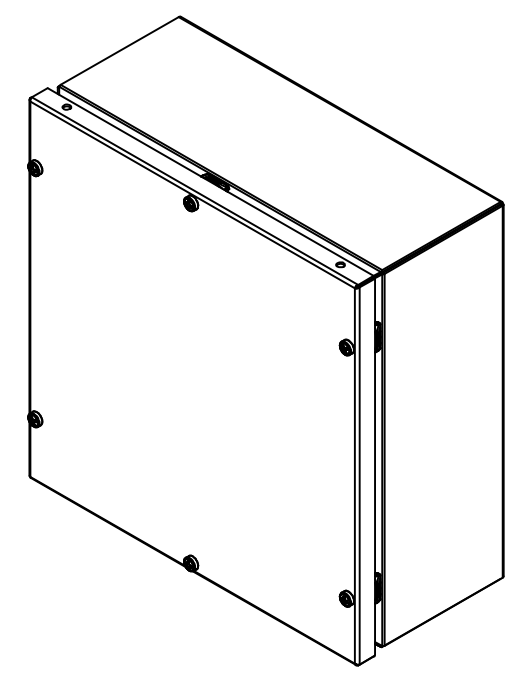
FRONT



RIGHT


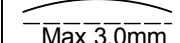
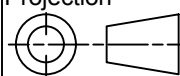


No.	Revisions	Date	By/Par



Isometric View



 Tél: (450) 979-4373 Fax: (450) 979-4626 www.exmweb.com		Flatness Aplatissement  Max 3.0mm	
		Projection 	
Customer Client		Date	
Drawn By / Dessiné Par: BoxCad: m_altork		Date: 16/02/2015	
Material / Matière: 16 Ga Stainless Steel 304 (1.4mm)			
Color / Couleur: Unpainted		Finish / Fini: Brushed	
Description: 1400BSS103 - 3 Wire Assembly			Detail Rev.
Part Number / Numéro Pièce: 1400BSS103		Rev.:	1 / 8

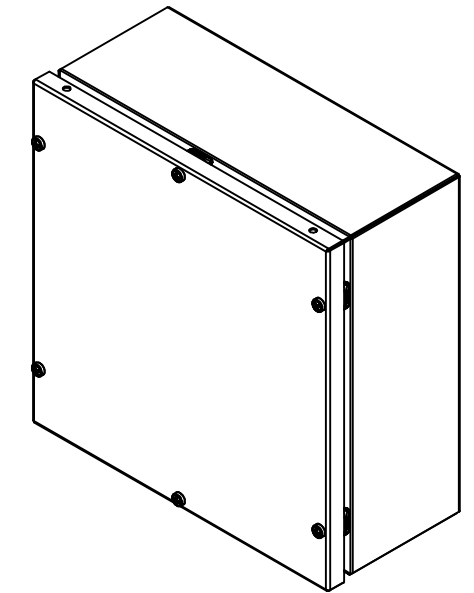
SEE BILL OF MATERIAL ON LAST PAGE

This drawing is confidential and must not be reproduced or used without the consent of EXM

Ce dessin est confidentiel et ne doit pas être reproduit ou utilisé sans le consentement de EXM

NOTE	
ITEM	DESCRIPTION
1	NEMA 4/12 Enclosure
2	C/W Standard ground standoffs on box and cover
3	W/O Standard door stiffener
4	C/W Standard inner panel mounting standoffs

No.	Revisions	Date	By/Par



Isometric View



Tél: (450) 979-4373
 Fax: (450) 979-4626
www.exmweb.com

Flatness
Aplatissement
Max 3.0mm
Projection

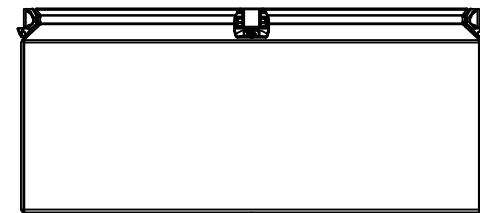
Customer Client	Date
Drawn By / Dessiné Par: BoxCad: m_altork	Date: 16/02/2015
Material / Matière: 16 Ga Stainless Steel 304 (1.4mm)	

Color / Couleur: Unpainted	Finish / Fini: Brushed
Description: 1400BSS103 - 3 Wire Assembly	Detail Rev.
Part Number / Numéro Pièce: 1400BSS103	Rev. 2 / 8

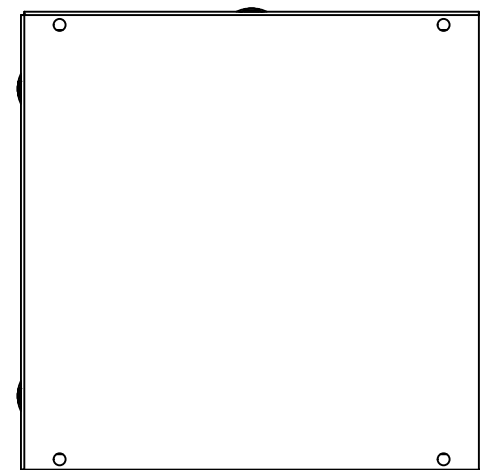
Qty	Part Number	Rev	Description
3			
4	STK-Q-03200	0.1.1	M6 x 8mm Hexagon/Slot Screw
6	STK-Q-77280	0	5412 ESSC M5 Countersink Insert (Flat Hole)
6			
1	1400BSS103C	0	1400BSS103 - 3 Wire Cover
1	1400BSS103B	0	1400BSS103 - 3 Wire Body
Parts List			

This drawing is confidential and must not be reproduced or used without the consent of EXM

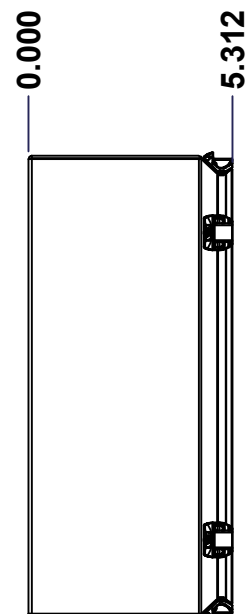
Ce dessin est confidentiel et ne doit pas être reproduit ou utilisé sans le consentement de EXM



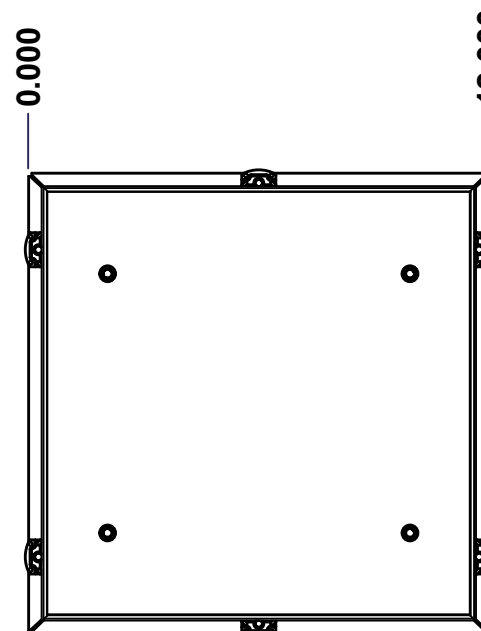
TOP



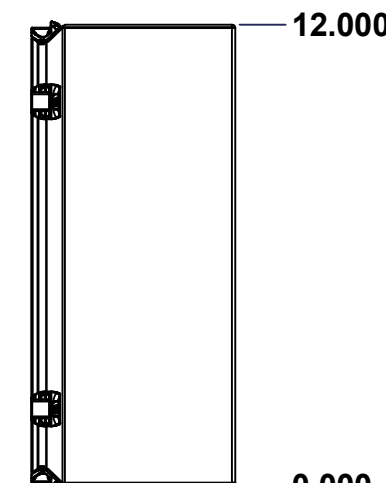
BACK



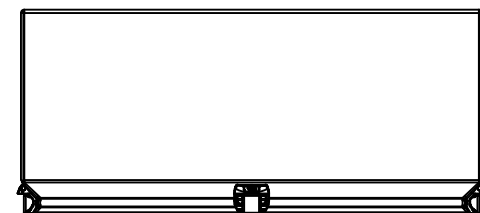
LEFT



FRONT

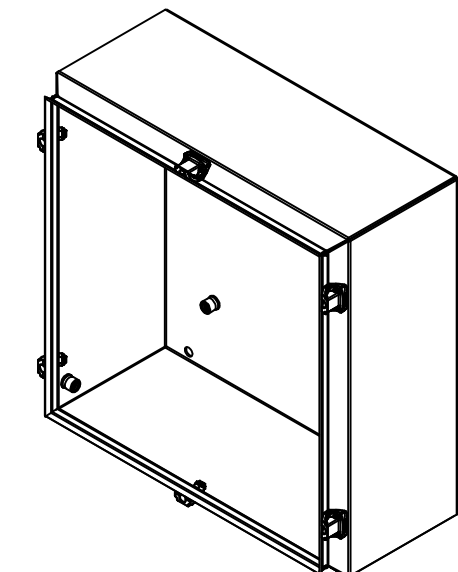


RIGHT



BOTTOM

No.	Revisions	Date	By/Par



Isometric View



Tél: (450) 979-4373
 Fax: (450) 979-4626
www.exmweb.com

Flatness
Aplatissement
Max 3.0mm
Projection

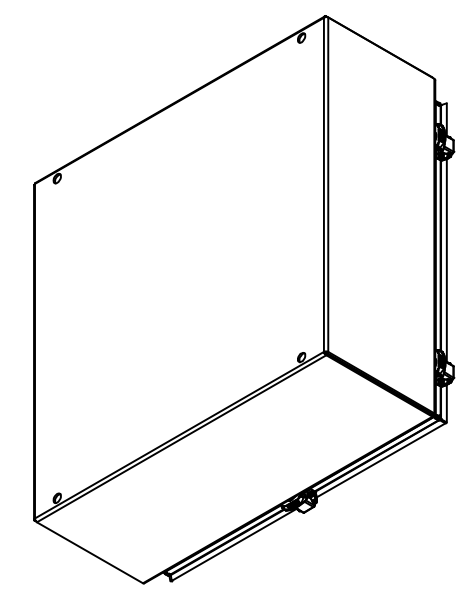
Customer Client	Date
Drawn By / Dessiné Par: BoxCad: m_altork	Date: 16/02/2015
Material / Matière: 16 Ga Stainless Steel 304 (1.4mm)	
Color / Couleur: Unpainted	Finish / Fini: Brushed
Description: 1400BSS103 - 3 Wire Body	
Part Number / Numéro Pièce: 1400BSS103B	Detail Rev.:
Rev. 0	3 / 8

SEE BILL OF MATERIAL ON LAST PAGE

This drawing is confidential and must not be reproduced or used without the consent of EXM

Ce dessin est confidentiel et ne doit pas être reproduit ou utilisé sans le consentement de EXM

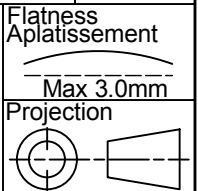
No.	Revisions	Date	By/Par



Isometric View



Tél: (450) 979-4373
 Fax: (450) 979-4626
www.exmweb.com



Customer Client	Date
Drawn By / Dessiné Par: BoxCad: m_altork	Date: 16/02/2015
Material / Matière: 16 Ga Stainless Steel 304 (1.4mm)	

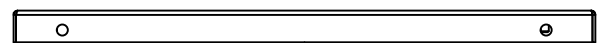
Color / Couleur: Unpainted	Finish / Fini: Brushed
Description: 1400BSS103 - 3 Wire Body	Detail Rev.

Qty	Part Number	Rev	Description
3	STK-Q-70464	0	5412ESSMSC - Stainless Steel Body Catch Screw Cover
1	STK-P-02400S	0	Powder Paint (Asa-61 Grey / Smooth)
1	1400BSS103B-P	0	1400BSS103 - 3 Wire Body Part
5	STK-Q-08500	4	Stainless Steel Standoff M6 x 10mm
6	STK-Q-08100	1	M5 Nylon Insert Lock Nut
3	STK-Q-70463	0	5412ESMSC - Zinc Casting Body Catch Screw Cover
Parts List			

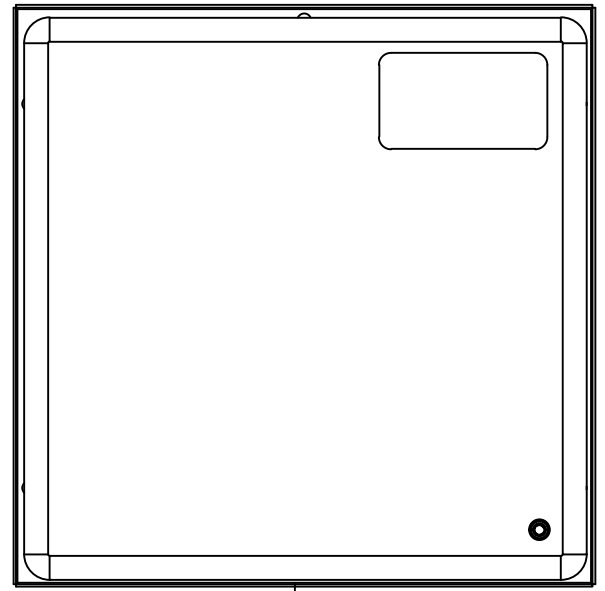
Part Number / Numéro Pièce: 1400BSS103B	Rev. / Révis: 0	4 / 8
--	------------------------	-------

This drawing is confidential and must not be reproduced or used without the consent of EXM

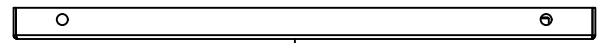
Ce dessin est confidentiel et ne doit pas être reproduit ou utilisé sans le consentement de EXM



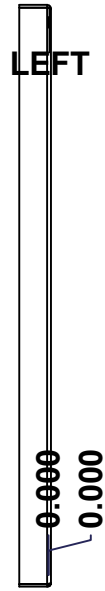
TOP



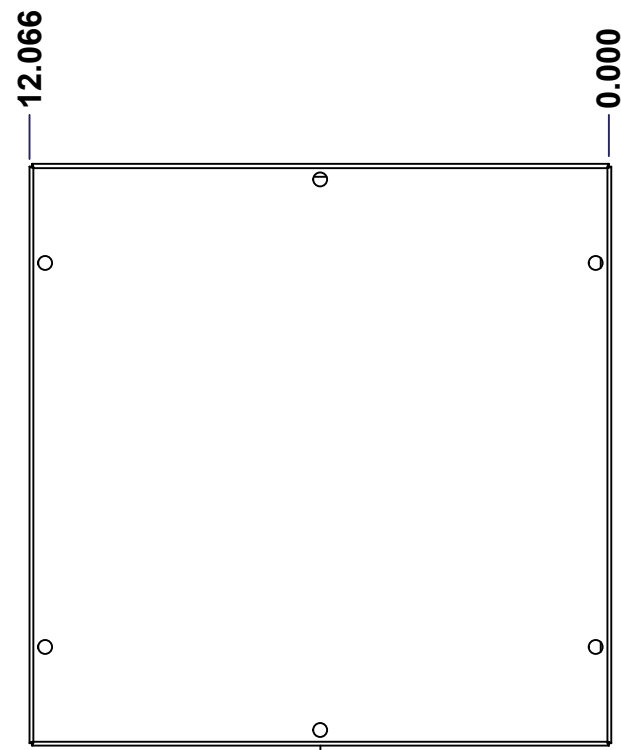
BACK



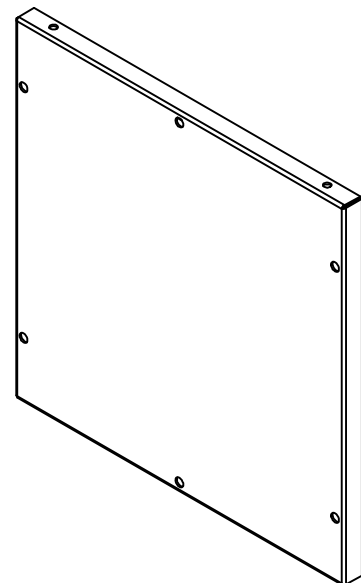
BOTTOM



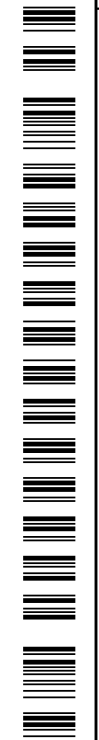
LEFT




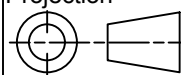
FRONT



Isometric View



No.	Revisions	Date	By/Par

 Tél: (450) 979-4373 Fax: (450) 979-4626 www.exmweb.com		Flatness Aplatissement Max 3.0mm Projection 
Customer Client	Date	
Drawn By Dessiné Par	BoxCad: m_altork	Date 16/02/2015
Material Matière 16 Ga Stainless Steel 304 (1.4mm)		
Color Couleur	Unpainted	Finish Fini Brushed
Description 1400BSS103 - 3 Wire Cover		Detail Rev.
Part Number Numéro Pièce	1400BSS103C	Rev. 5 0

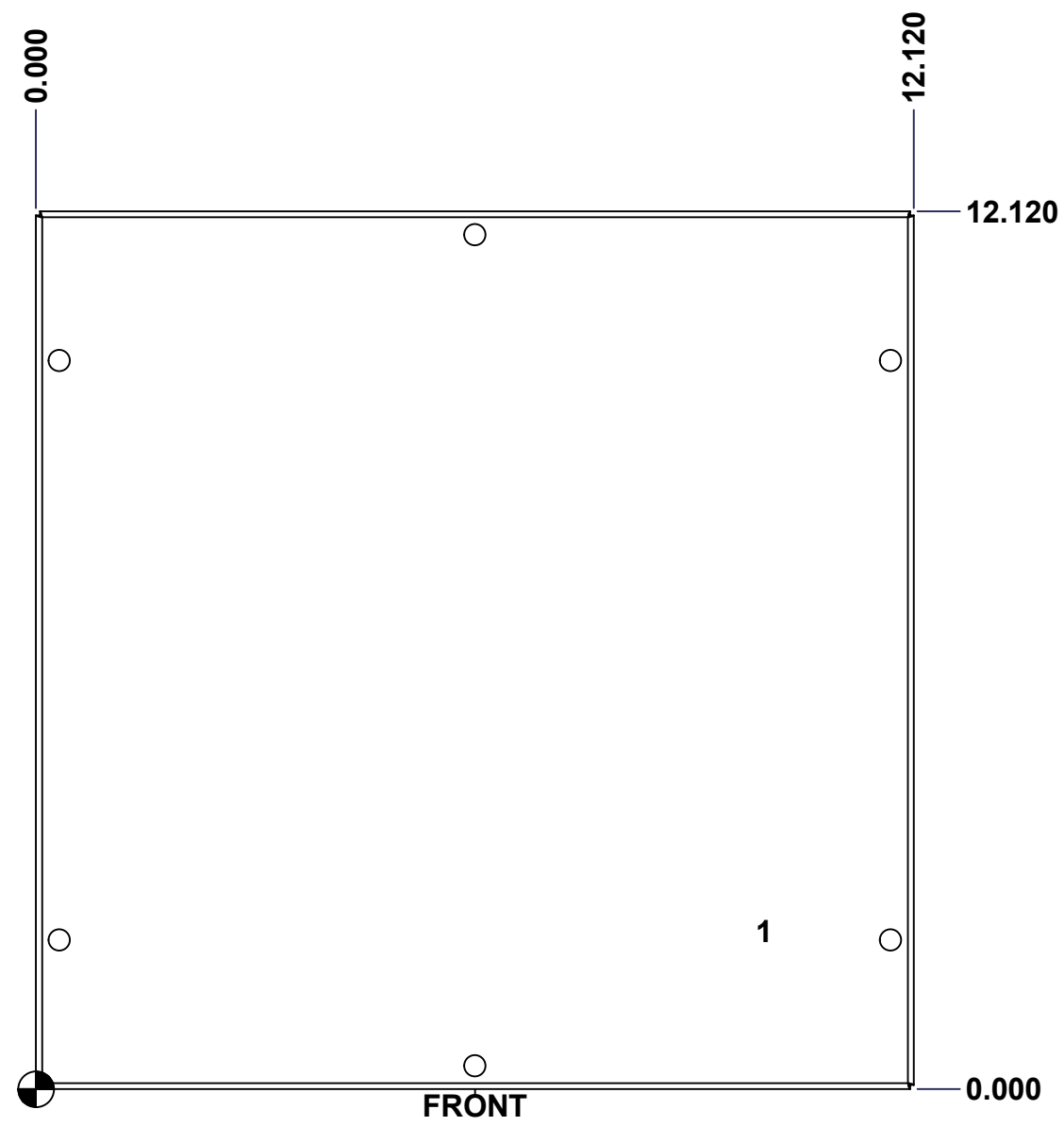
SEE BILL OF MATERIAL ON LAST PAGE

This drawing is confidential and must not be reproduced or used without the consent of Eurobox

Ce dessin est confidentiel et ne doit pas être reproduit ou utilisé sans le consentement de Eurobox

All knockouts are actual size / Les disques défonçables sont grandeur réel

HOLE TABLE - FRONT VIEW (CUSTOM FEATURE ONLY)			
CUT-OUT	XDIM	YDIM	DESCRIPTION
1	1.145	1.125	GND STANDOFF M6x10mm (Inside)

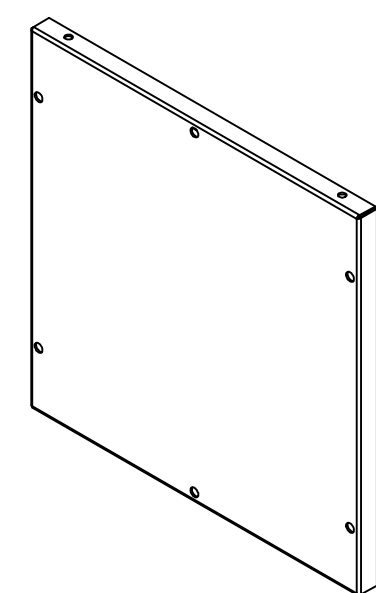


	Description	Status
	1400BSS103 - 3 Wire Cover	(NULL)
	Part Number Numéro Pièce	Rev.
	1400BSS103C	0
		6 / 8

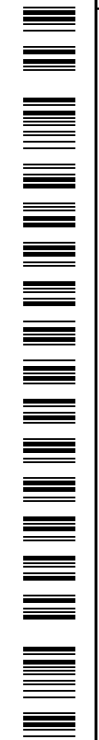
This drawing is confidential and must not be reproduced or used without the consent of EXM

Ce dessin est confidentiel et ne doit pas être reproduit ou utilisé sans le consentement de EXM

No.	Revisions	Date	By/Par



Isometric View



Tél: (450) 979-4373
 Fax: (450) 979-4626
www.exmweb.com

Flatness
Aplatissement
Max 3.0mm
Projection

Customer Client	Date
Drawn By Dessiné Par BoxCad: m_altork	Date 16/02/2015
Material Matière 16 Ga Stainless Steel 304 (1.4mm)	

Color Couleur Unpainted	Finish Fini Brushed
----------------------------	------------------------

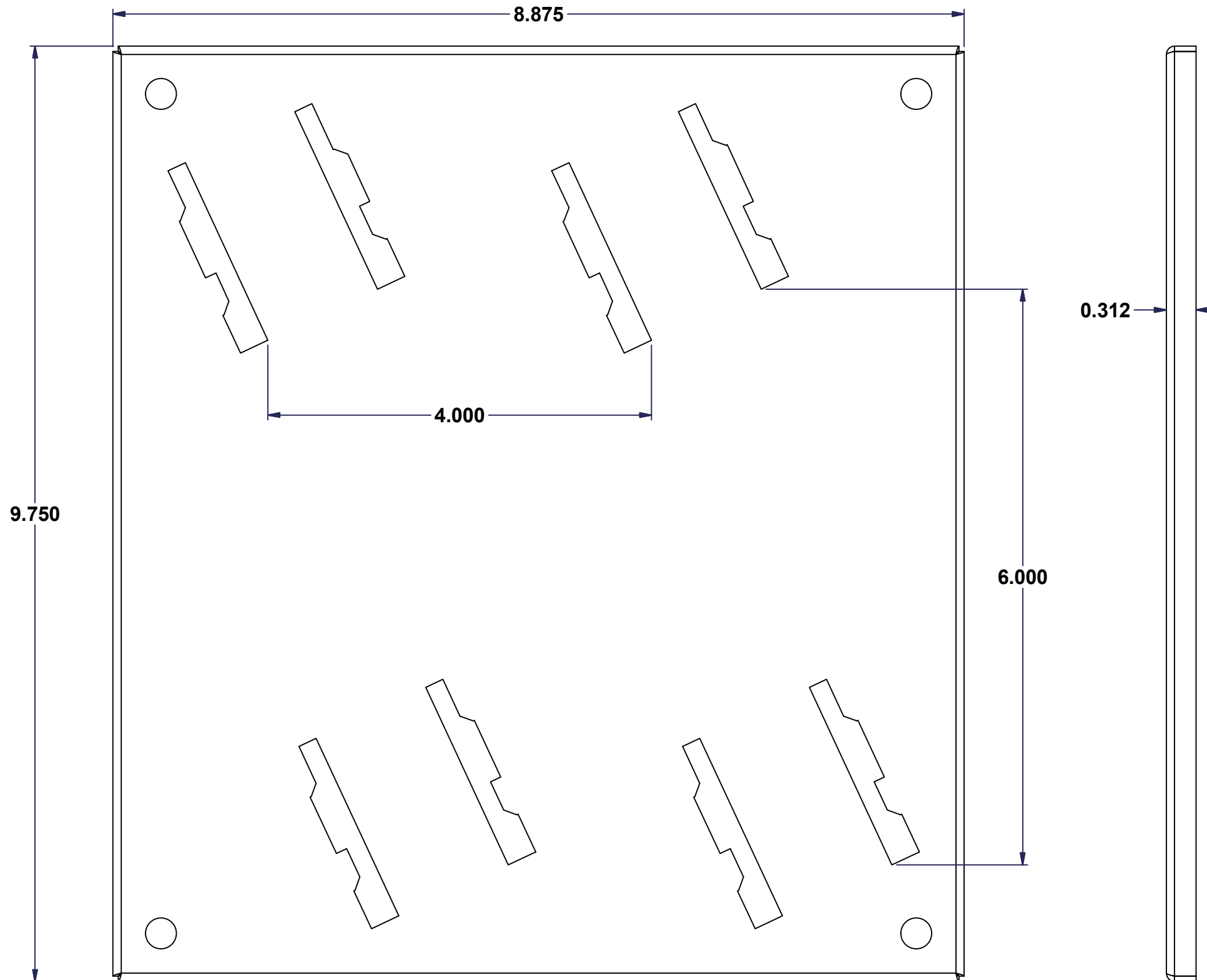
Description 1400BSS103 - 3 Wire Cover	Detail Rev.
--	-------------

Part Number Numéro Pièce 1400BSS103C	Rev. 0	7 8
---	------------------	--------

Qty	Part Number	Rev	Description
1	STK-S-00100	0.1.1	3.5" x 2" Silver Milar Flexcon Sticker
1	STK-Q-08350	4	Standoff M6 x 10mm
1	STK-P-02400S	0	Powder Paint (Asa-61 Grey / Smooth)
1	1400B73G	0	5412ESSC 10" x 10" Gasket
1	1400BSS103C-P	0	1400BSS103 - 3 Wire Cover Part
Parts List			

This drawing is confidential and must not be reproduced or used without the consent of EXM

Ce dessin est confidentiel et ne doit pas être reproduit ou utilisé sans le consentement de EXM



No.	Revisions	Date	By/Par
1	Cut-out was rectangle	10-Jan-07	Patrick

Isometric View

<p>Tél: (450) 979-4373 Fax: (450) 979-4626 www.exmweb.com</p>		Flatness Aplatissement
		Max 3.0mm
Customer Client		Date
Drawn By Dessiné Par		Date
Material Matière		16 Ga H.R.P. & O. (1.4mm)
Color Couleur	Asa-61 Grey	Finish Fini
Description		Detail Rev.
Part Number Numéro Pièce		Rev.
<p>1400B10xIP-P</p>		8
		8