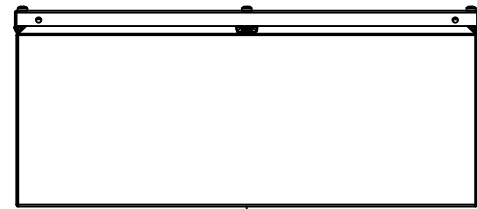
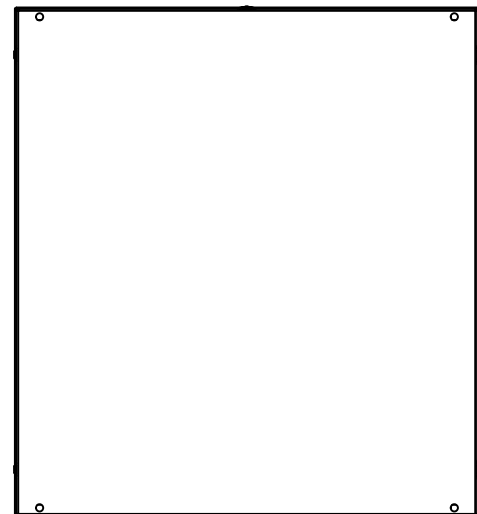
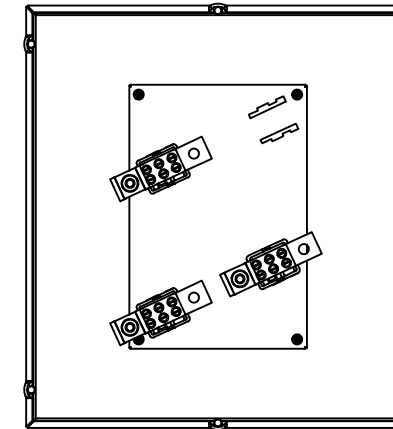


This drawing is confidential and must not be reproduced or used without the consent of EXM

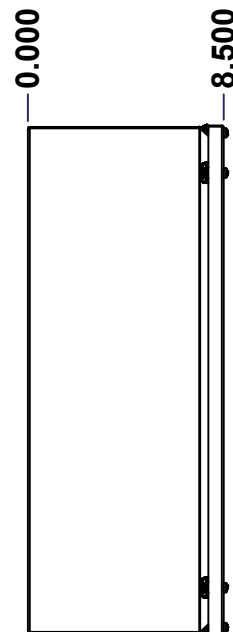
Ce dessin est confidentiel et ne doit pas être reproduit ou utilisé sans le consentement de EXM



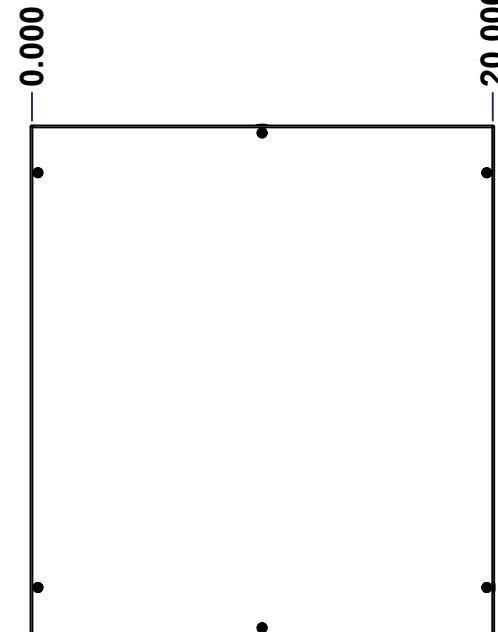
TOP



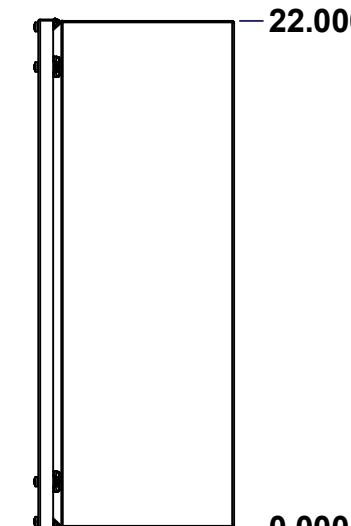
BACK



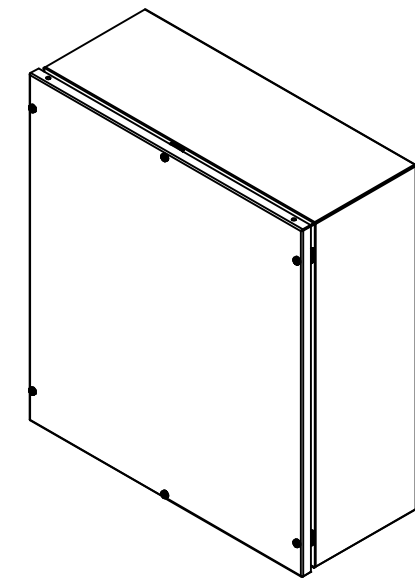
LEFT



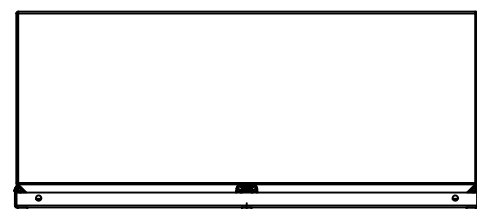
FRONT



RIGHT



Isometric View



BOTTOM

No.	Revisions	Date	By/Par



Tél: (450) 979-4373 Fax: (450) 979-4626 <a href="http://www.exmweb.com">www.exmweb.com</a>	Flatness Aplatissement Max 3.0mm
	Projection 
Customer Client	Date
Drawn By Dessiné Par BoxCad: m_altork	Date 16/02/2015
Material Matière 16 Ga Stainless Steel 304 (1.4mm)	
Color Couleur Unpainted	Finish Fini Brushed
Description 1400BSS404 - 4 Wire Assembly	Detail Rev.
Part Number Numéro Pièce 1400BSS404	Rev. 0

SEE BILL OF MATERIAL ON LAST PAGE

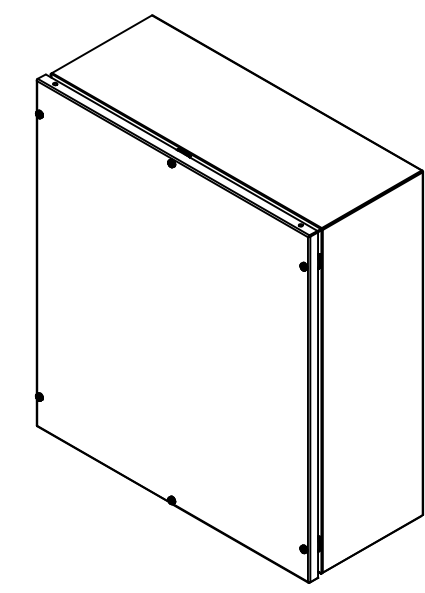
1  
8

This drawing is confidential and must not be reproduced or used without the consent of EXM

Ce dessin est confidentiel et ne doit pas être reproduit ou utilisé sans le consentement de EXM

NOTE	
ITEM	DESCRIPTION
1	NEMA 4/12 Enclosure
2	C/W Standard ground standoffs on box and cover
3	W/O Standard door stiffener
4	C/W Standard inner panel mounting standoffs

No.	Revisions	Date	By/Par



Isometric View



Tél: (450) 979-4373  
 Fax: (450) 979-4626  
[www.exmweb.com](http://www.exmweb.com)

Flatness  
Aplatissement  
Max 3.0mm  
Projection

Customer Client	Date
Drawn By / Dessiné Par: BoxCad: m_altork	Date: 16/02/2015
Material / Matière: 16 Ga Stainless Steel 304 (1.4mm)	

Color / Couleur: Unpainted	Finish / Fini: Brushed
----------------------------	------------------------

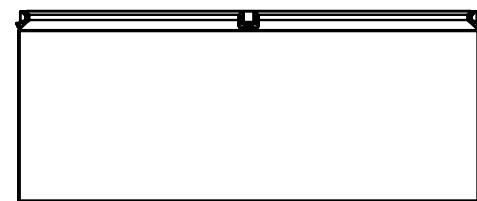
Description: 1400BSS404 - 4 Wire Assembly	Detail Rev.
---	-------------

Part Number / Numéro Pièce: <b>1400BSS404</b>	Rev. / Révis: <b>0</b>	2 / 8
---	------------------------	-------

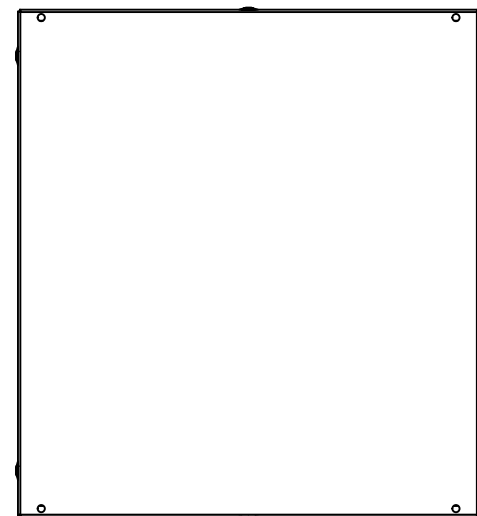
Qty	Part Number	Rev	Description
3		3	
4	STK-Q-03200	0.1.1	M6 x 8mm Hexagon/Slot Screw
6	STK-Q-77280	0	5412 ESSC M5 Countersink Insert (Flat Hole)
1	1400BSS404C	0	1400BSS404 - 4 Wire Cover
1	1400BSS404B	0	1400BSS404 - 4 Wire Body
Parts List			

This drawing is confidential and must not be reproduced or used without the consent of EXM

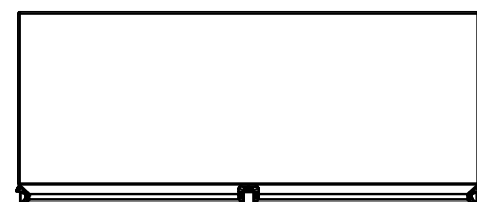
Ce dessin est confidentiel et ne doit pas être reproduit ou utilisé sans le consentement de EXM



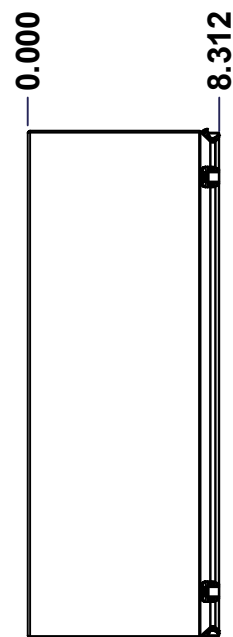
TOP



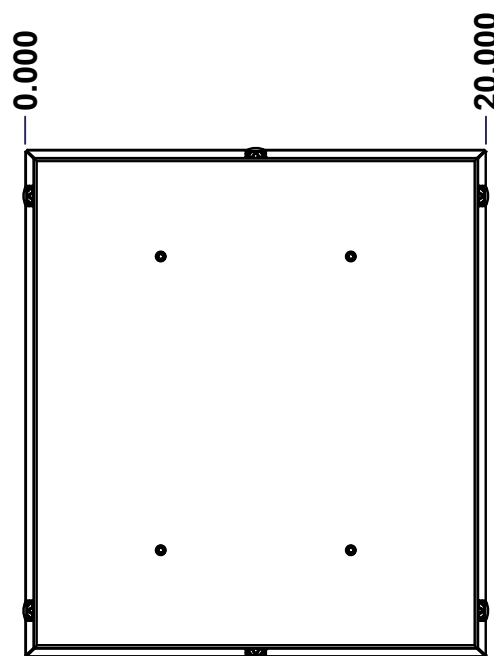
BACK



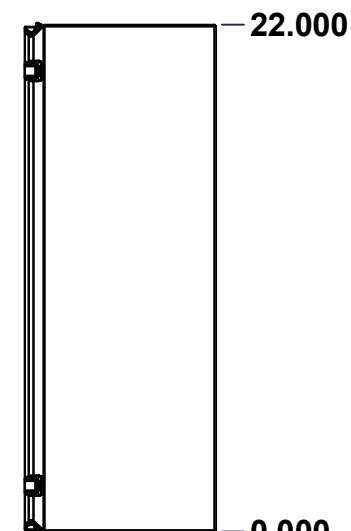
BOTTOM



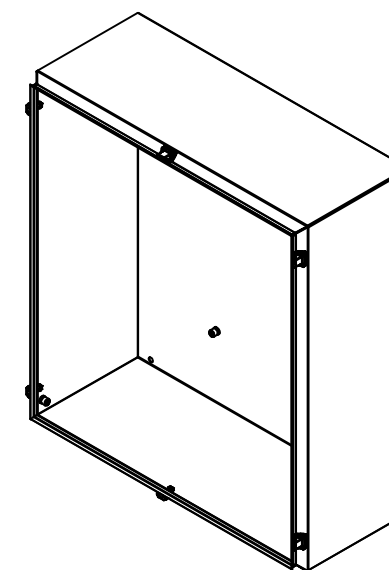
LEFT



FRONT




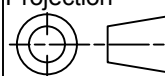
RIGHT



Isometric View



No.	Revisions	Date	By/Par

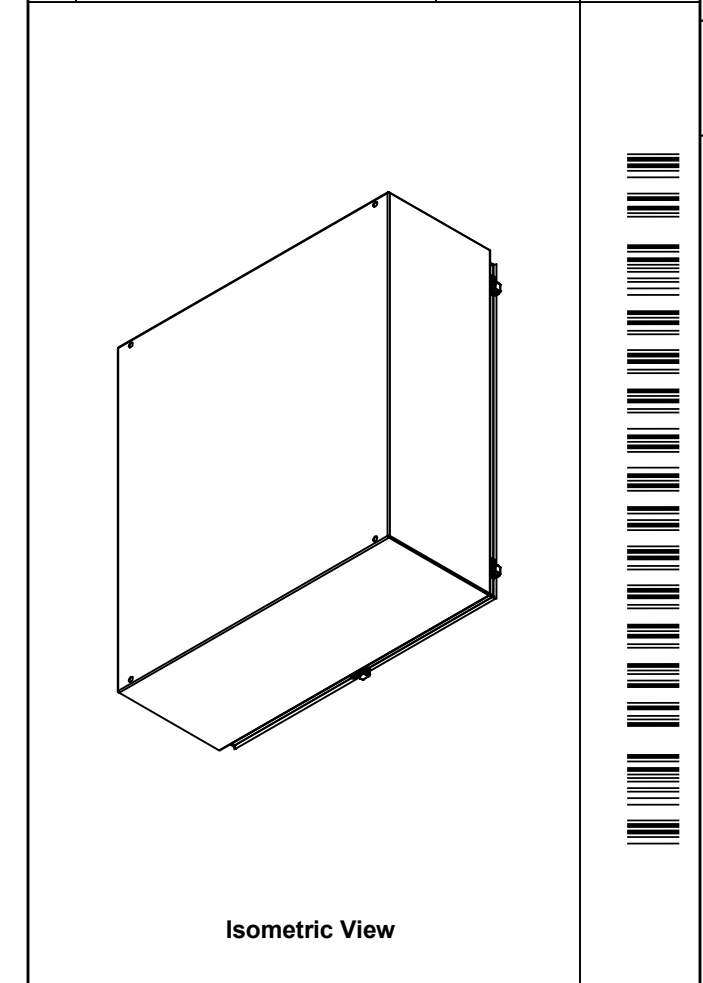
 Tél: (450) 979-4373 Fax: (450) 979-4626 <a href="http://www.exmweb.com">www.exmweb.com</a>		Flatness Aplatissement Max 3.0mm Projection 
Customer Client	Date	
Drawn By Dessiné Par	BoxCad: m_altork	Date 16/02/2015
Material Matière 16 Ga Stainless Steel 304 (1.4mm)		
Color Couleur	Unpainted	Finish Fini Brushed
Description 1400BSS404 - 4 Wire Body		Detail Rev.
Part Number Numéro Pièce	1400BSS404B	Rev. 3 0


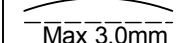
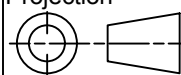
SEE BILL OF MATERIAL ON LAST PAGE

This drawing is confidential and must not be reproduced or used without the consent of EXM

Ce dessin est confidentiel et ne doit pas être reproduit ou utilisé sans le consentement de EXM

No.	Revisions	Date	By/Par

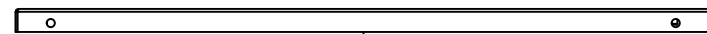


 Tél: (450) 979-4373 Fax: (450) 979-4626 <a href="http://www.exmweb.com">www.exmweb.com</a>		Flatness Aplatissement  Max 3.0mm Projection 
Customer Client	Date	
Drawn By Dessiné Par	BoxCad: m_altork	Date 16/02/2015
Material Matière	16 Ga Stainless Steel 304 (1.4mm)	
Color Couleur	Unpainted	Finish Fini Brushed
Description 1400BSS404 - 4 Wire Body		Detail Rev.
Part Number Numéro Pièce		Rev. 4
<b>1400BSS404B</b>		<b>0</b>

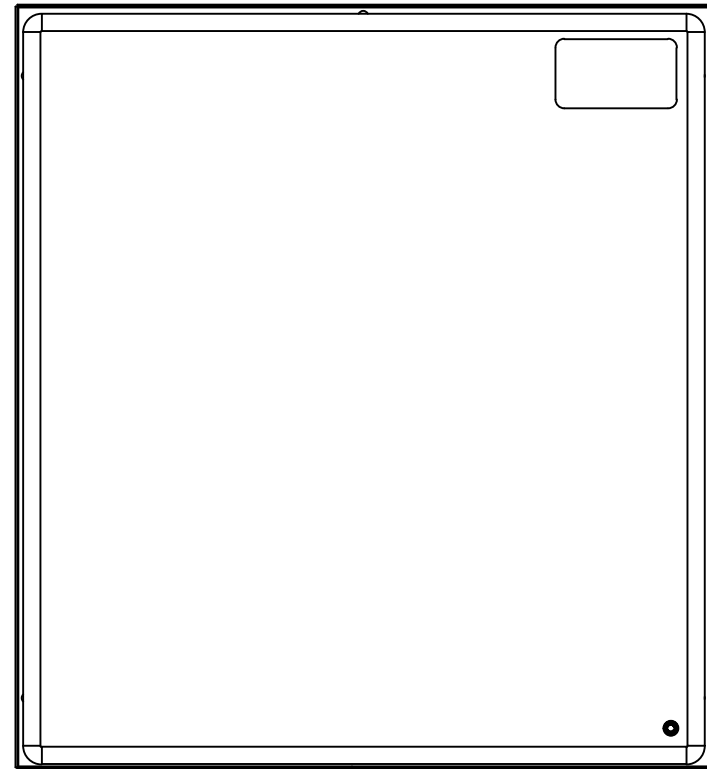
Qty	Part Number	Rev	Description
3	STK-Q-70464	0	5412ESSMSC - Stainless Steel Body Catch Screw Cover
1	STK-P-02400S	0	Powder Paint (Asa-61 Grey / Smooth)
1	1400BSS404B-P	0	1400BSS404 - 4 Wire Body Part
5	STK-Q-08500	4	Stainless Steel Standoff M6 x 10mm
6	STK-Q-08100	1	M5 Nylon Insert Lock Nut
3	STK-Q-70463	0	5412ESMSC - Zinc Casting Body Catch Screw Cover
Parts List			

This drawing is confidential and must not be reproduced or used without the consent of EXM

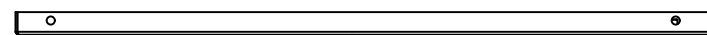
Ce dessin est confidentiel et ne doit pas être reproduit ou utilisé sans le consentement de EXM



TOP

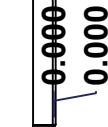


BACK

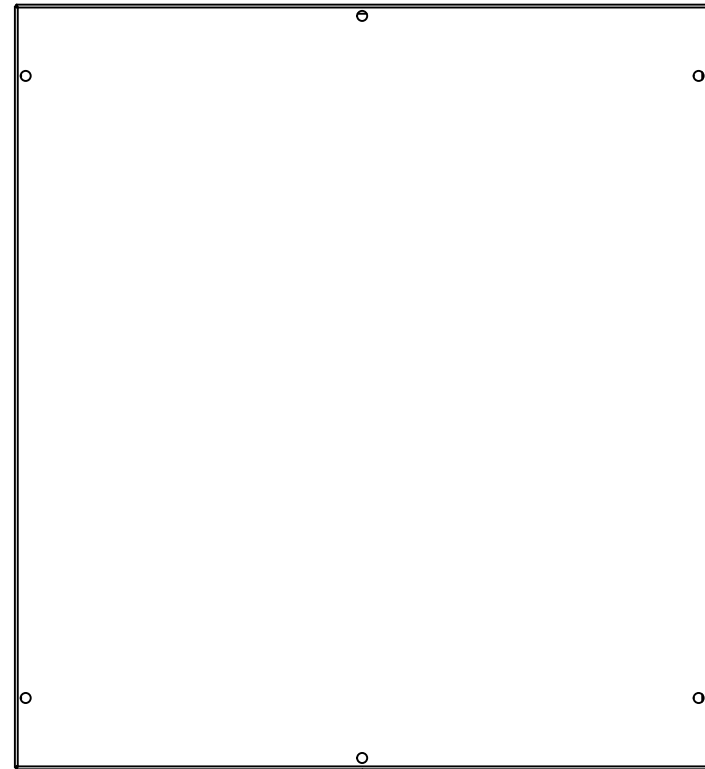


BOTTOM

LEFT



20.066



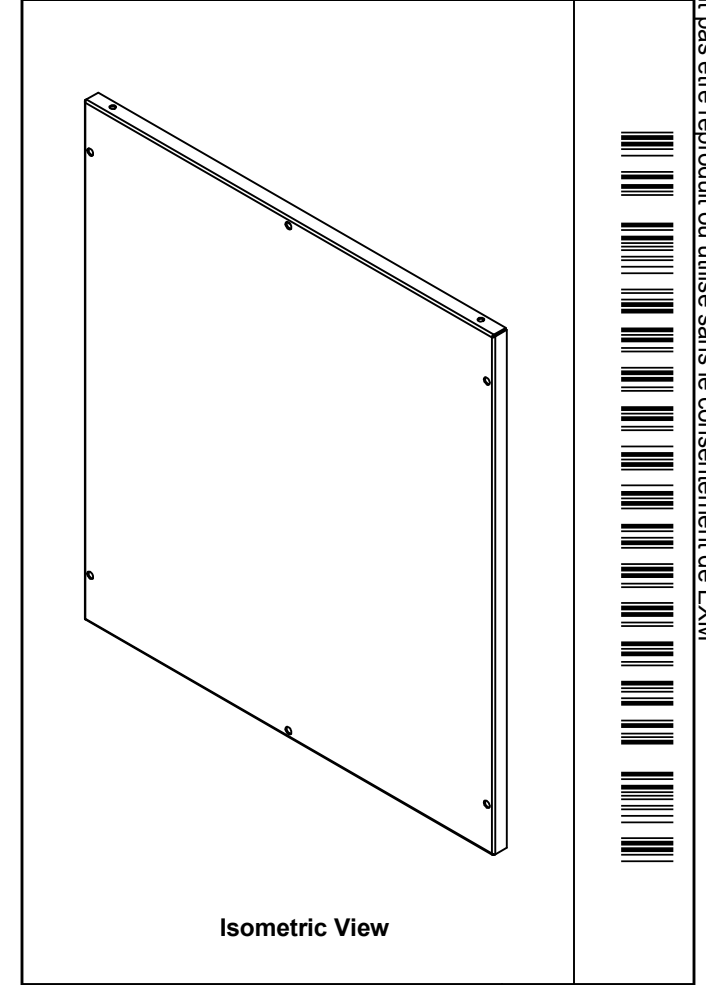
FRONT

0.000


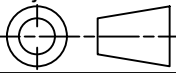


0.000  
2.121

No.	Revisions	Date	By/Par



Isometric View

 Tél: (450) 979-4373 Fax: (450) 979-4626 <a href="http://www.exmweb.com">www.exmweb.com</a>		Flatness Aplatissement Max 3.0mm Projection 
Customer Client	Date	
Drawn By Dessiné Par	BoxCad: m_altork	Date 16/02/2015
Material Matière	16 Ga Stainless Steel 304 (1.4mm)	
Color Couleur	Unpainted	Finish Fini Brushed
Description	Detail Rev.	
1400BSS404 - 4 Wire Cover		
Part Number Numéro Pièce	Rev. 5	8
1400BSS404C		0

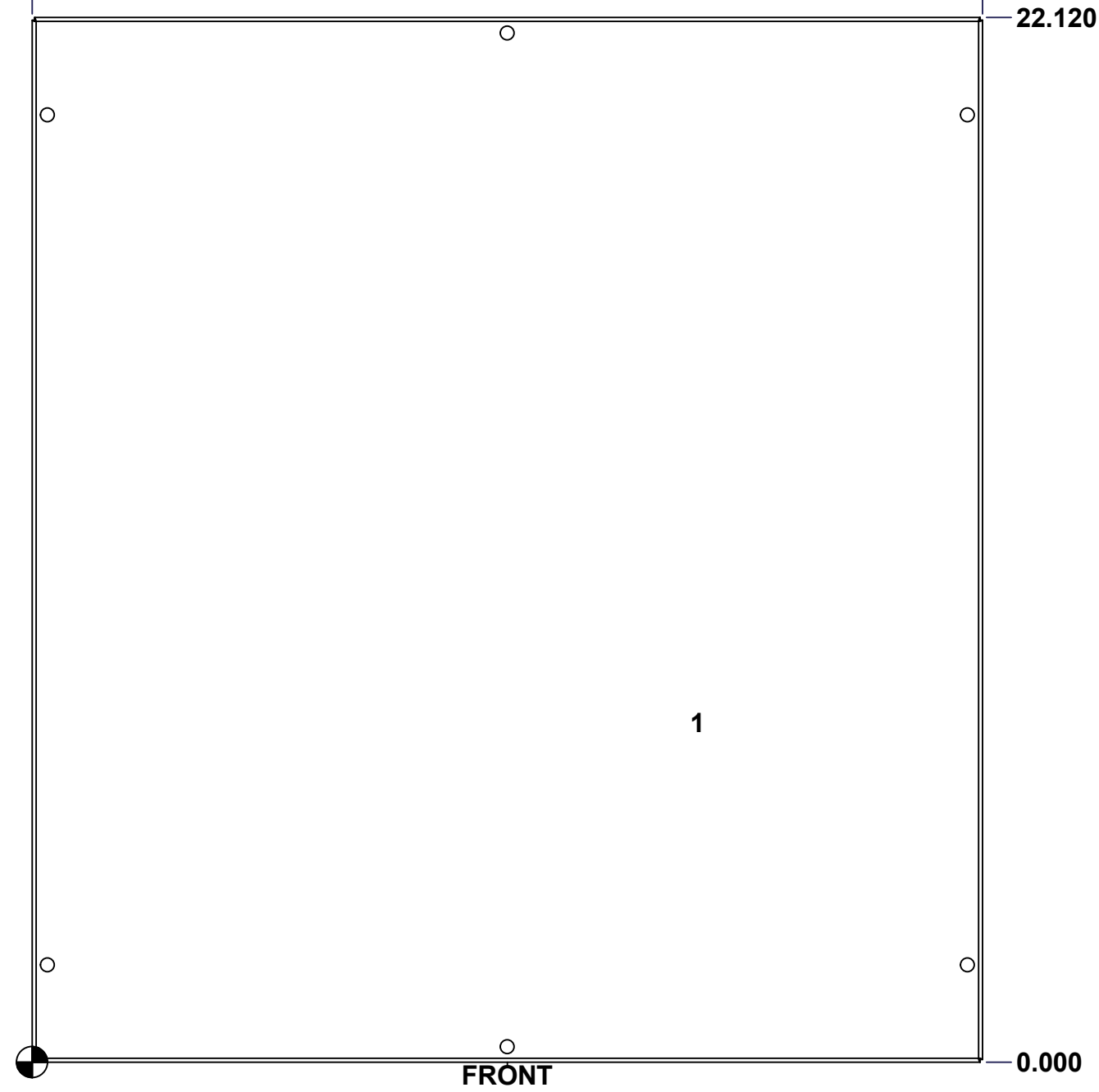
SEE BILL OF MATERIAL ON LAST PAGE

This drawing is confidential and must not be reproduced or used without the consent of Eurobox

Ce dessin est confidentiel et ne doit pas être reproduit ou utilisé sans le consentement de Eurobox

All knockouts are actual size / Les disques défonçables sont grandeur réel

HOLE TABLE - FRONT VIEW (CUSTOM FEATURE ONLY)			
CUT-OUT	XDIM	YDIM	DESCRIPTION
1	1.145	1.125	GND STANDOFF M6x10mm (Inside)

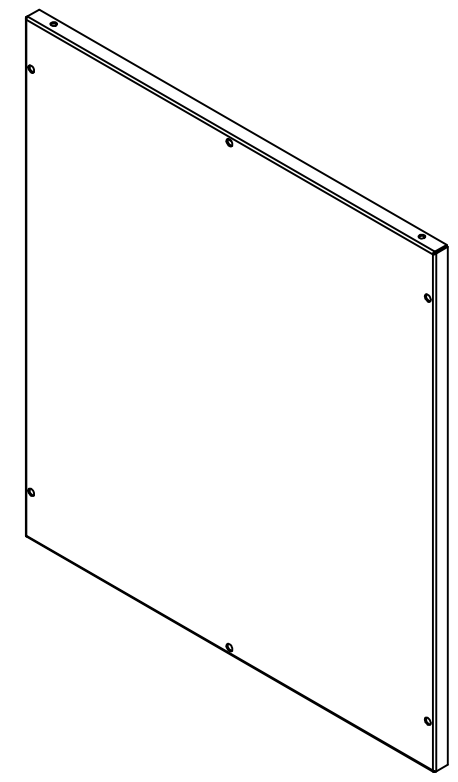


	Description 1400BSS404 - 4 Wire Cover	Status (NULL)
	Part Number Numéro Pièce <b>1400BSS404C</b>	Rev. 6 <b>0</b> / 8

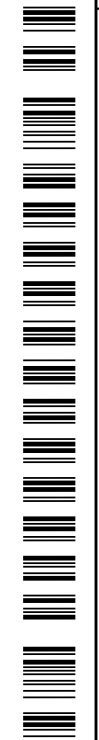
This drawing is confidential and must not be reproduced or used without the consent of EXM

Ce dessin est confidentiel et ne doit pas être reproduit ou utilisé sans le consentement de EXM

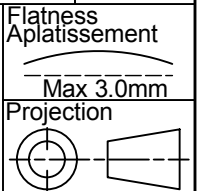
No.	Revisions	Date	By/Par



Isometric View



Tél: (450) 979-4373  
 Fax: (450) 979-4626  
[www.exmweb.com](http://www.exmweb.com)



Customer Client	Date
Drawn By / Dessiné Par: BoxCad: m_altork	Date: 16/02/2015
Material / Matière: 16 Ga Stainless Steel 304 (1.4mm)	

Color / Couleur: Unpainted	Finish / Fini: Brushed
----------------------------	------------------------

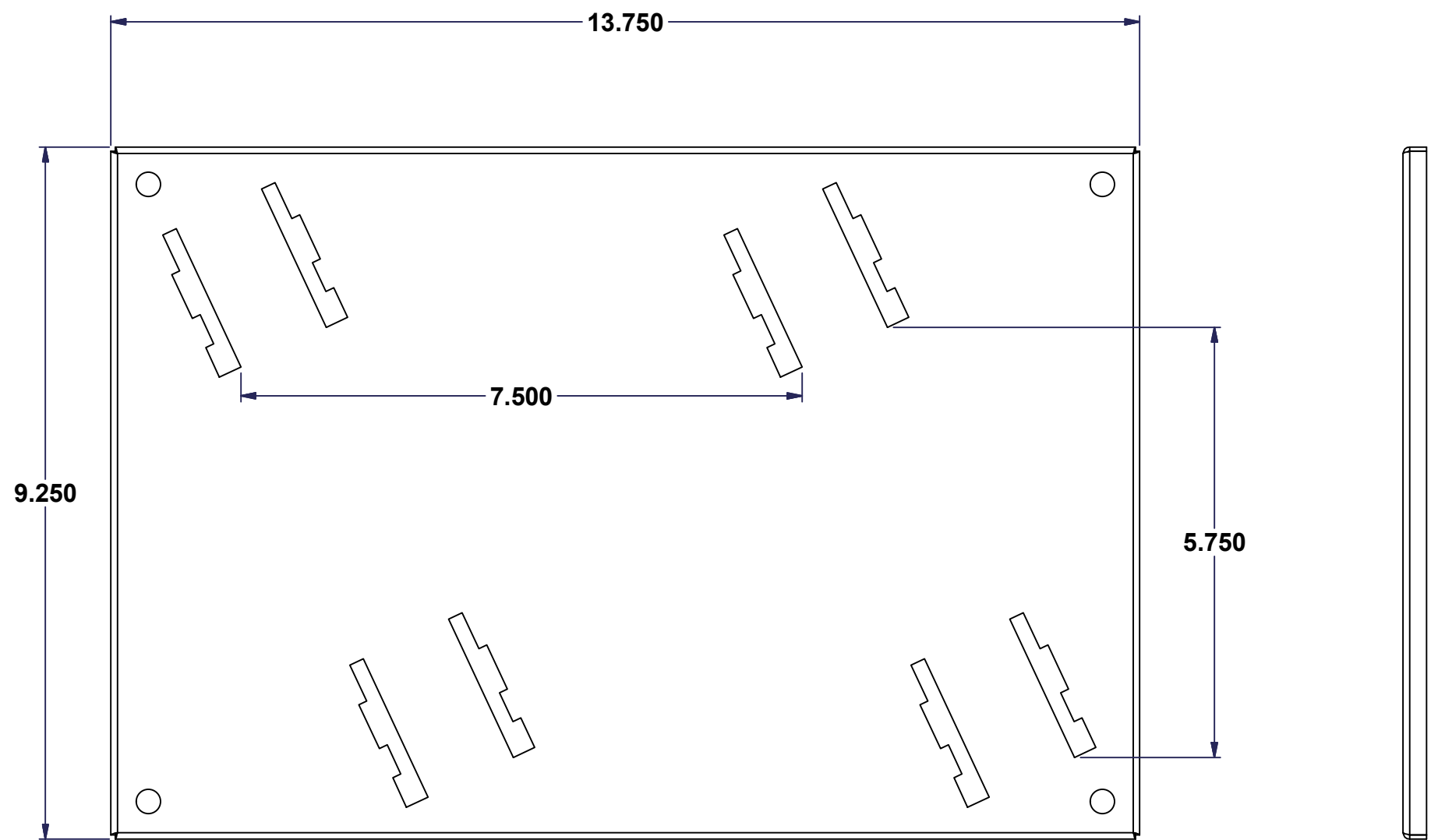
Description: 1400BSS404 - 4 Wire Cover	Detail Rev.
--	-------------

Part Number / Numéro Pièce: <b>1400BSS404C</b>	Rev. 0	7/8
--	--------	-----

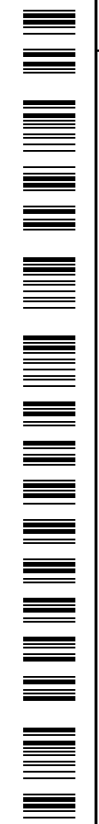
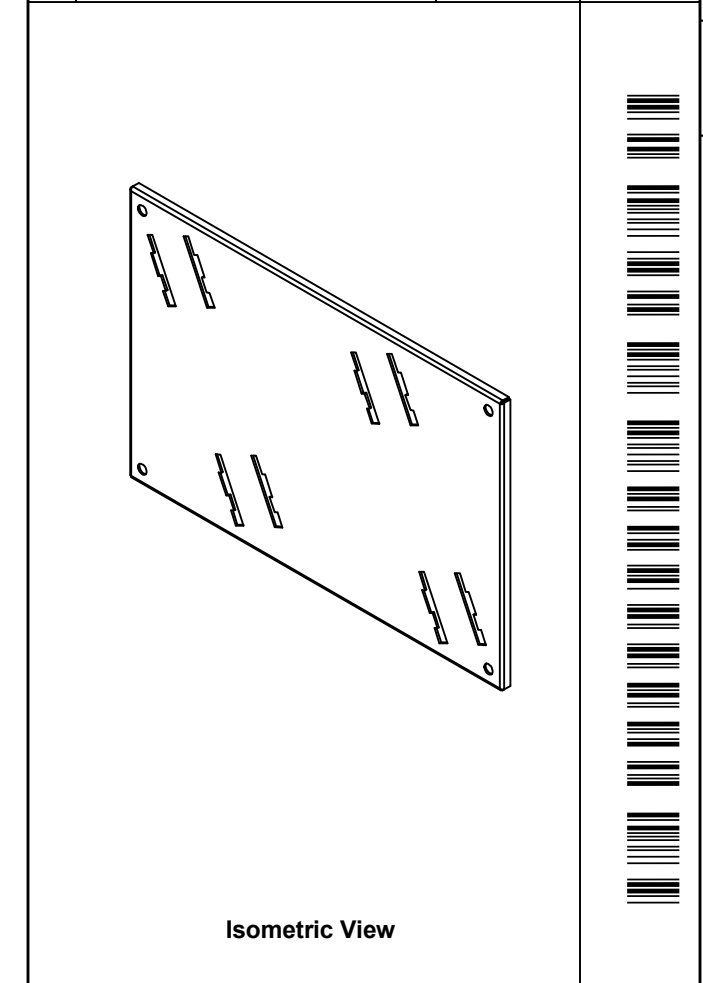
Qty	Part Number	Rev	Description
1	STK-S-00100	0.1.1	3.5" x 2" Silver Milar Flexcon Sticker
1	STK-Q-08350	4	Standoff M6 x 10mm
1	STK-P-02400S	0	Powder Paint (Asa-61 Grey / Smooth)
1	1400B73G	0	5412ESSC 10" x 10" Gasket
1	1400BSS404C-P	0	1400BSS404 - 4 Wire Cover Part
Parts List			


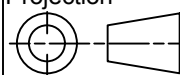
This drawing is confidential and must not be reproduced or used without the consent of EXM

Ce dessin est confidentiel et ne doit pas être reproduit ou utilisé sans le consentement de EXM



No.	Revisions	Date	By/Par
1	Cut-out was rectangle	10-Jan-07	Patrick



 Tél: (450) 979-4373 Fax: (450) 979-4626 <a href="http://www.exmweb.com">www.exmweb.com</a>		Flatness Aplatissement Max 3.0mm	
		Projection 	
Customer Client	Date		
Drawn By Dessiné Par	BoxCad: Patrick Deschenes	Date	
Material Matière	16 Ga H.R.P. & O. (1.4mm)		
Color Couleur	Asa-61 Grey	Finish Fini	Smooth
Description		Detail Rev.	
1400B40x Inner Pannel - Part			
Part Number Numéro Pièce		Rev.	8
<b>1400B40xIP-P</b>			8