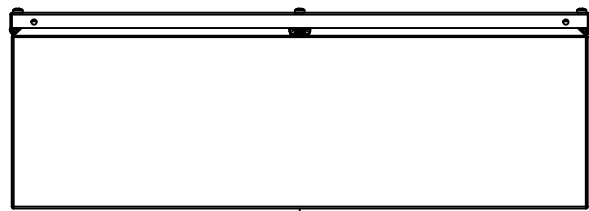
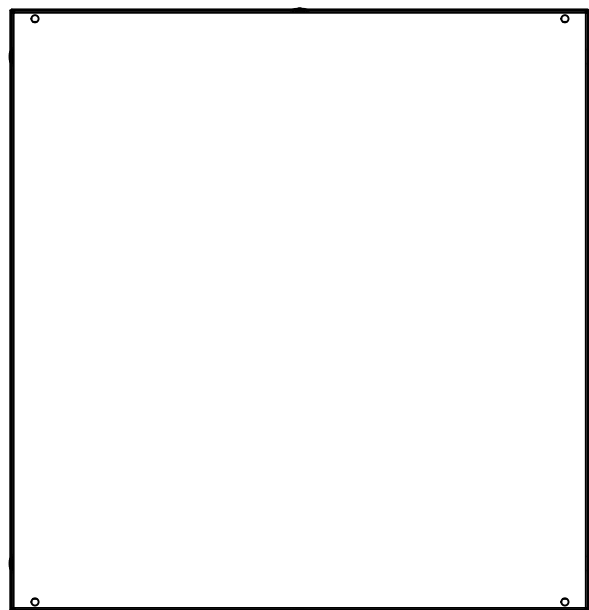


This drawing is confidential and must not be reproduced or used without the consent of EXM

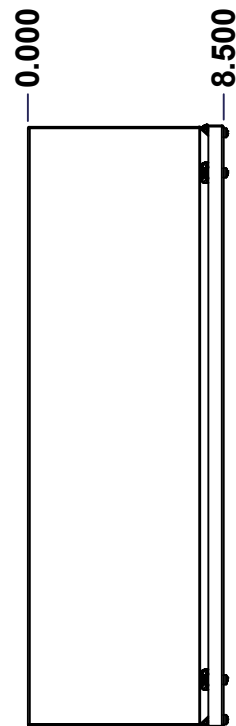
Ce dessin est confidentiel et ne doit pas être reproduit ou utilisé sans le consentement de EXM



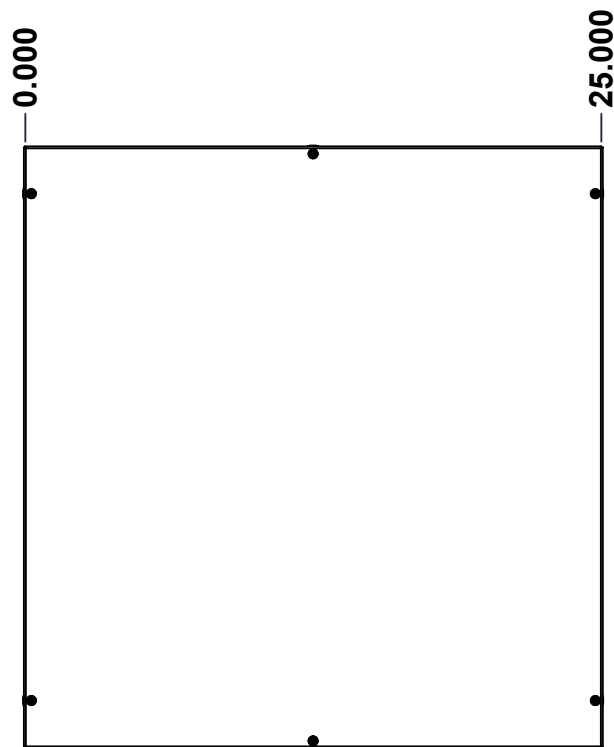
TOP



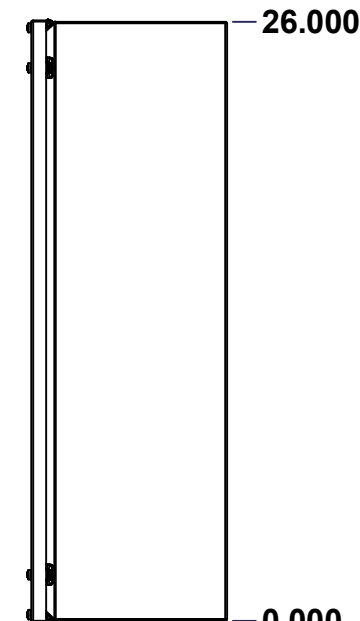
BACK



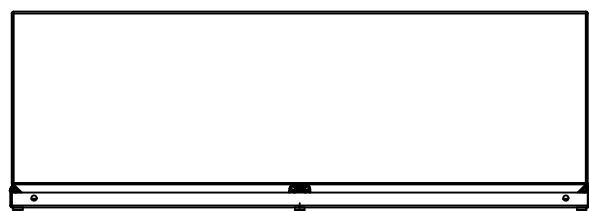
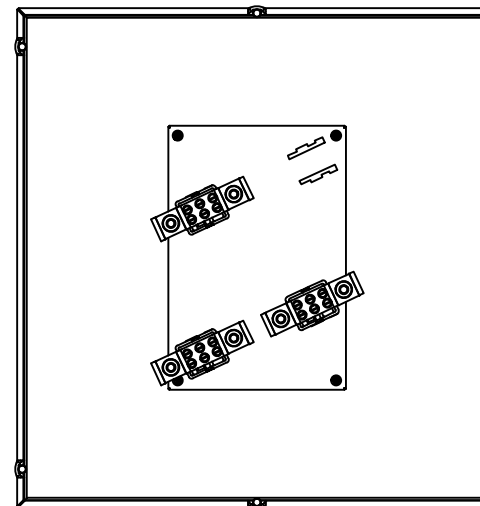
LEFT



FRONT

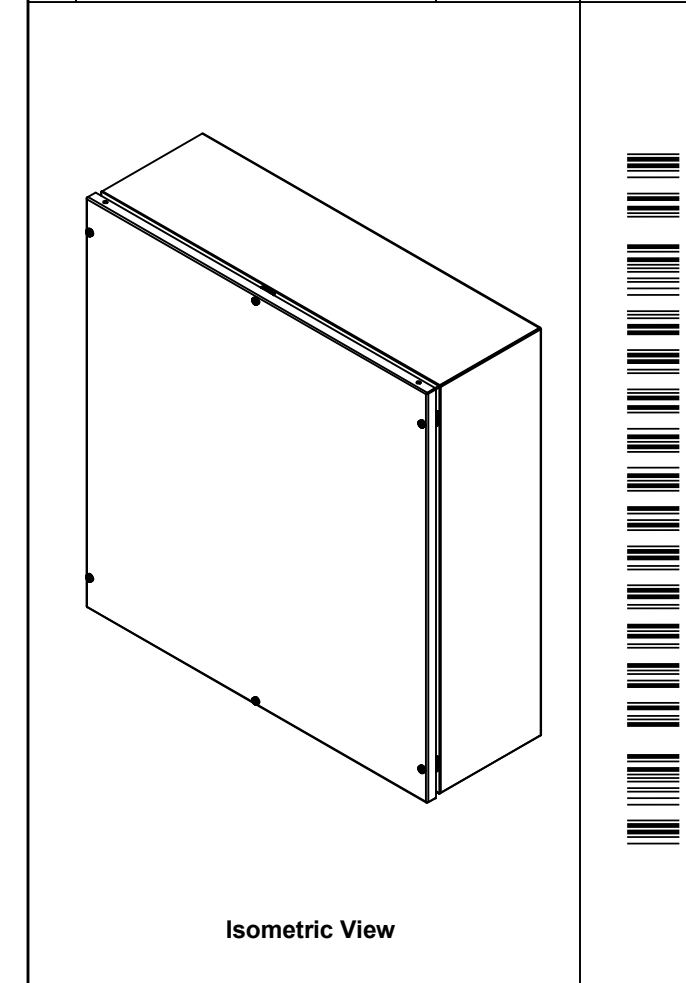


RIGHT



BOTTOM

No.	Revisions	Date	By/Par



Isometric View



Tél: (450) 979-4373
 Fax: (450) 979-4626
www.exmweb.com

Flatness
Aplatissement
Max 3.0mm
Projection

Customer Client	Date
Drawn By Dessiné Par	Date
Material Matière	16 Ga Stainless Steel 304 (1.4mm)
Color Couleur	Unpainted
Finish Fini	Brushed
Description	Detail Rev.
Part Number Numéro Pièce	Rev.
1400BSS603	0

SEE BILL OF MATERIAL ON LAST PAGE

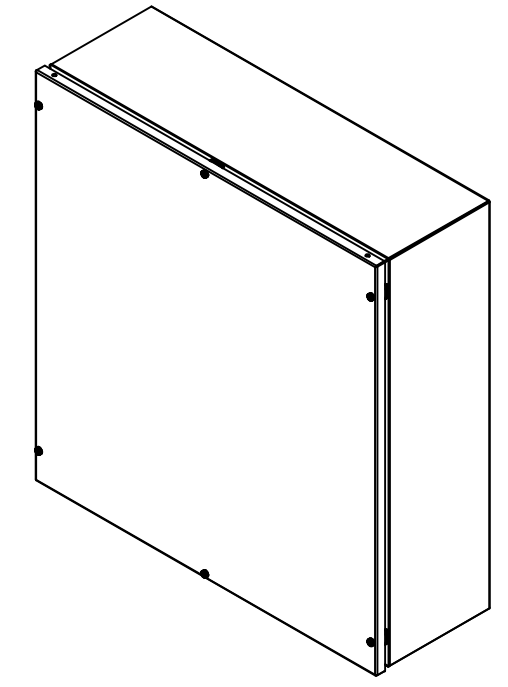
1
8

This drawing is confidential and must not be reproduced or used without the consent of EXM

Ce dessin est confidentiel et ne doit pas être reproduit ou utilisé sans le consentement de EXM

NOTE	
ITEM	DESCRIPTION
1	NEMA 4/12 Enclosure
2	C/W Standard ground standoffs on box and cover
3	W/O Standard door stiffener
4	C/W Standard inner panel mounting standoffs

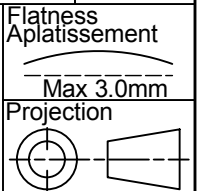
No.	Revisions	Date	By/Par



Isometric View



Tél: (450) 979-4373
 Fax: (450) 979-4626
www.exmweb.com



Customer Client	Date
Drawn By / Dessiné Par: BoxCad: m_altork	Date: 16/02/2015
Material / Matière: 16 Ga Stainless Steel 304 (1.4mm)	

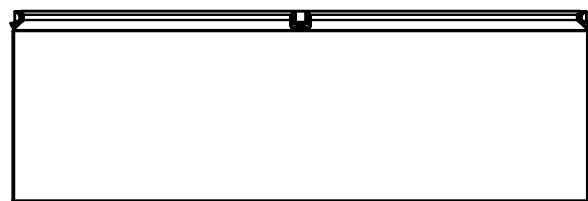
Color / Couleur: Unpainted	Finish / Fini: Brushed
----------------------------	------------------------

Qty	Part Number	Rev	Description
4	STK-Q-03200	0.1.1	M6 x 8mm Hexagon/Slot Screw
6	STK-Q-77280	0	5412 ESSC M5 Countersink Insert (Flat Hole)
1	1400BSS603C	0	1400BSS603 - 3 Wire Cover
1	1400BSS603B	0	1400BSS603 - 3 Wire Body
Parts List			

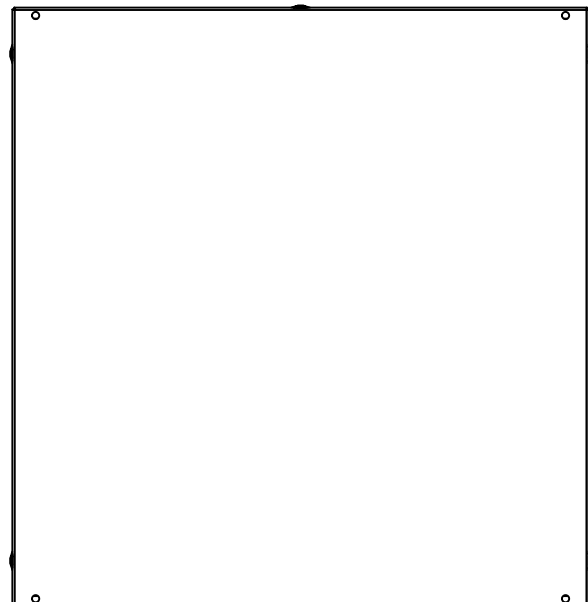
Description: 1400BSS603 - 3 Wire Assembly	Detail Rev.
Part Number / Numéro Pièce: 1400BSS603	Rev. 0 / 2
	8

This drawing is confidential and must not be reproduced or used without the consent of EXM

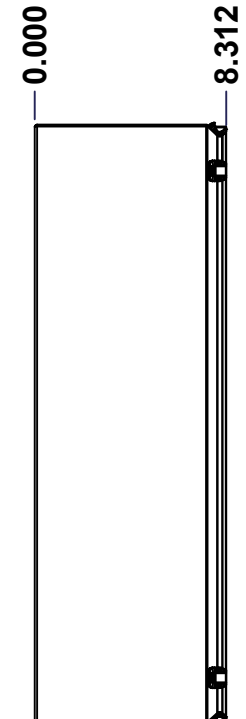
Ce dessin est confidentiel et ne doit pas être reproduit ou utilisé sans le consentement de EXM



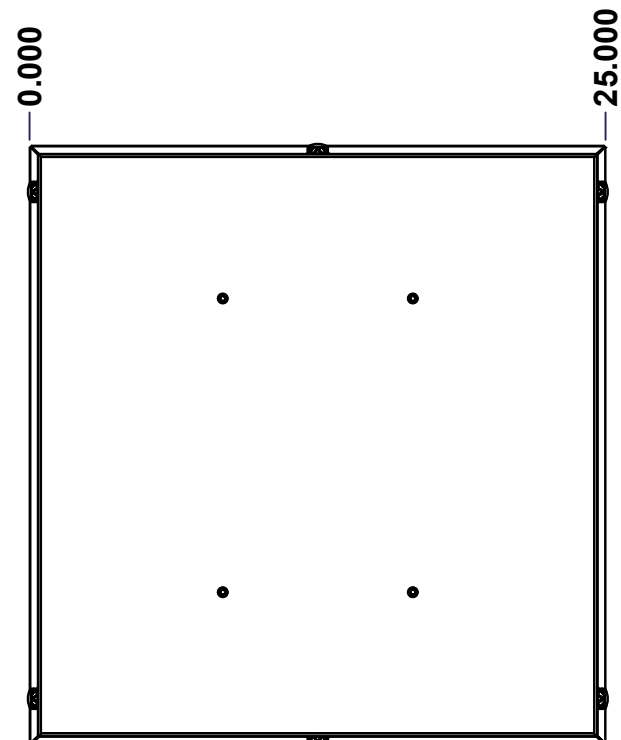
TOP



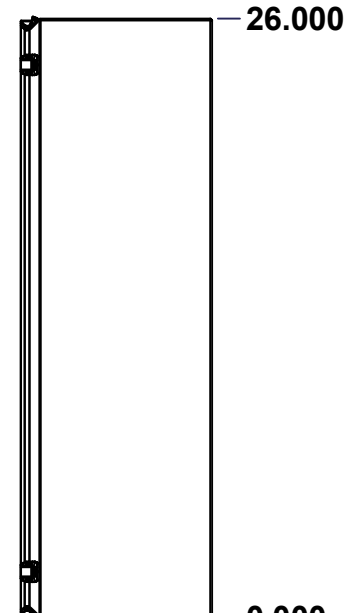
BACK



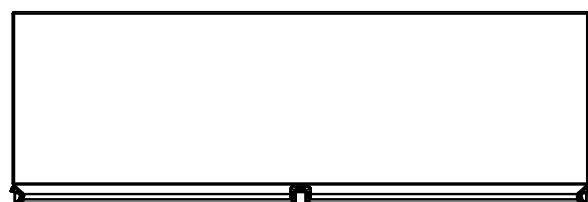
LEFT



FRONT

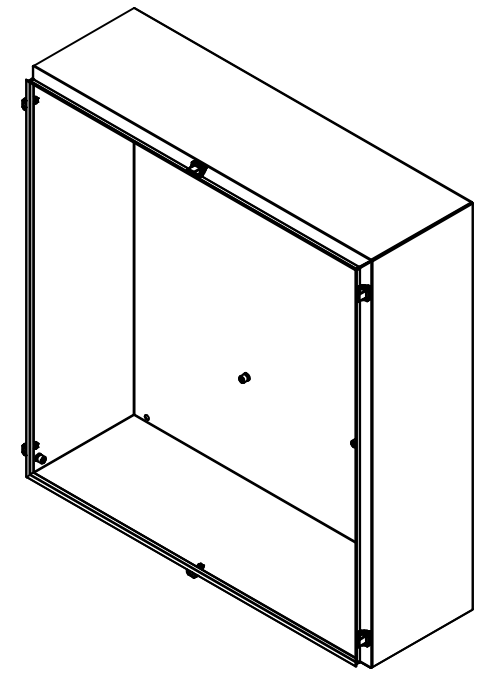


RIGHT




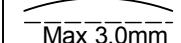
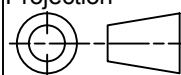
BOTTOM

No.	Revisions	Date	By/Par



Isometric View



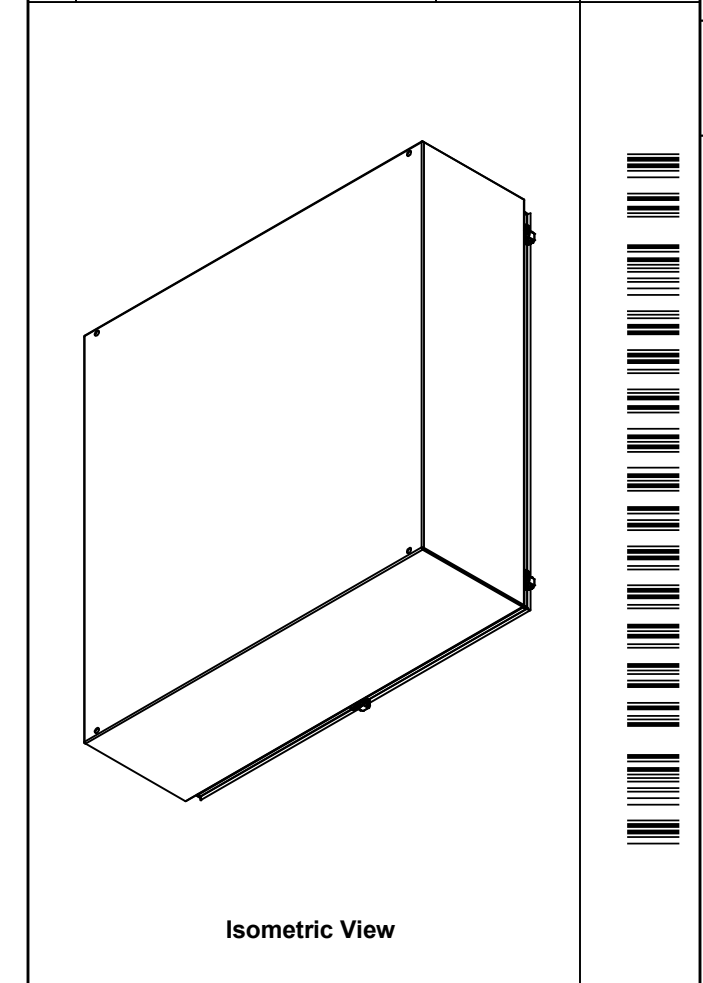
 Tél: (450) 979-4373 Fax: (450) 979-4626 www.exmweb.com		Flatness Aplatissement  Max 3.0mm Projection 
Customer Client	Date	
Drawn By Dessiné Par	BoxCad: m_altork	Date 16/02/2015
Material Matière 16 Ga Stainless Steel 304 (1.4mm)		
Color Couleur	Unpainted	Finish Fini Brushed
Description 1400BSS603 - 3 Wire Body		Detail Rev.
Part Number Numéro Pièce	1400BSS603B	Rev. 3 0

SEE BILL OF MATERIAL ON LAST PAGE

This drawing is confidential and must not be reproduced or used without the consent of EXM

Ce dessin est confidentiel et ne doit pas être reproduit ou utilisé sans le consentement de EXM

No.	Revisions	Date	By/Par

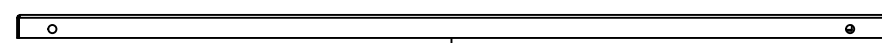


Tél: (450) 979-4373 Fax: (450) 979-4626 www.exmweb.com		Flatness Aplatissement
		Max 3.0mm
Projection 		Date
Customer Client		Date
Drawn By Dessiné Par BoxCad: m_altork		Date 16/02/2015
Material Matière 16 Ga Stainless Steel 304 (1.4mm)		
Color Couleur Unpainted		Finish Fini Brushed
Description 1400BSS603 - 3 Wire Body		Detail Rev.
Part Number Numéro Pièce 1400BSS603B		Rev. 4 0

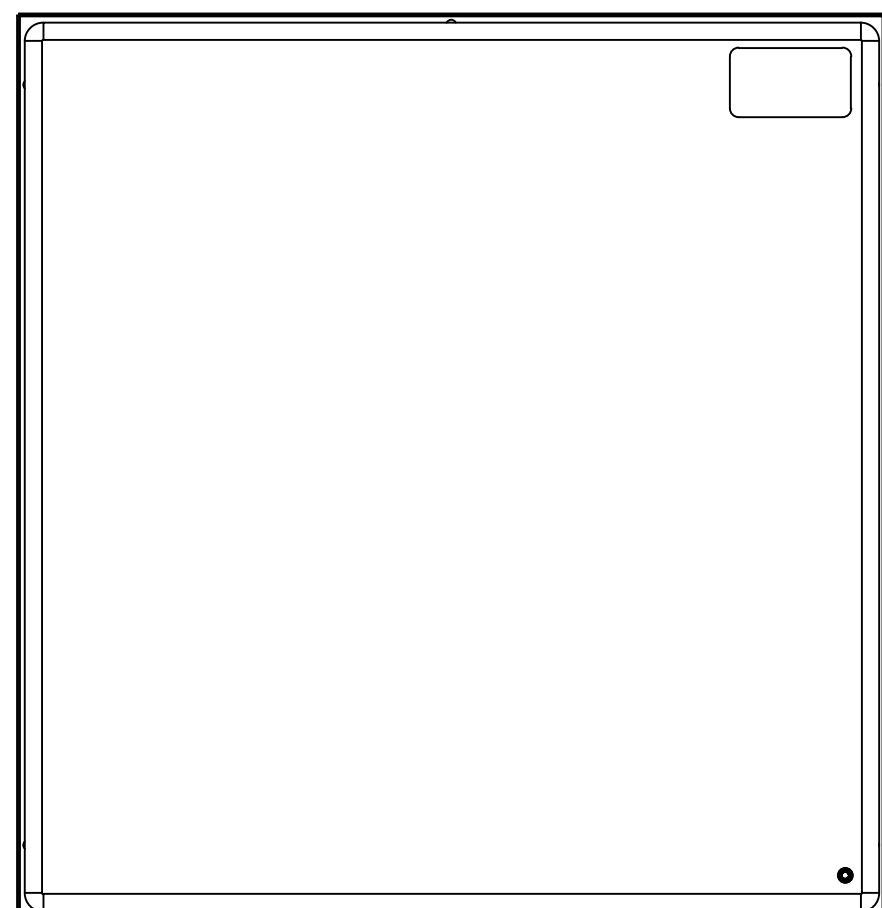
Qty	Part Number	Rev	Description
3	STK-Q-70464	0	5412ESSMSC - Stainless Steel Body Catch Screw Cover
1	STK-P-02400S	0	Powder Paint (Asa-61 Grey / Smooth)
1	1400BSS603B-P	0	1400BSS603 - 3 Wire Body Part
5	STK-Q-08500	4	Stainless Steel Standoff M6 x 10mm
6	STK-Q-08100	1	M5 Nylon Insert Lock Nut
3	STK-Q-70463	0	5412ESMSC - Zinc Casting Body Catch Screw Cover
Parts List			

This drawing is confidential and must not be reproduced or used without the consent of EXM

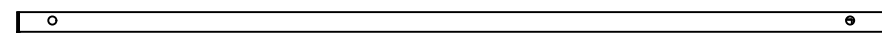
Ce dessin est confidentiel et ne doit pas être reproduit ou utilisé sans le consentement de EXM



TOP

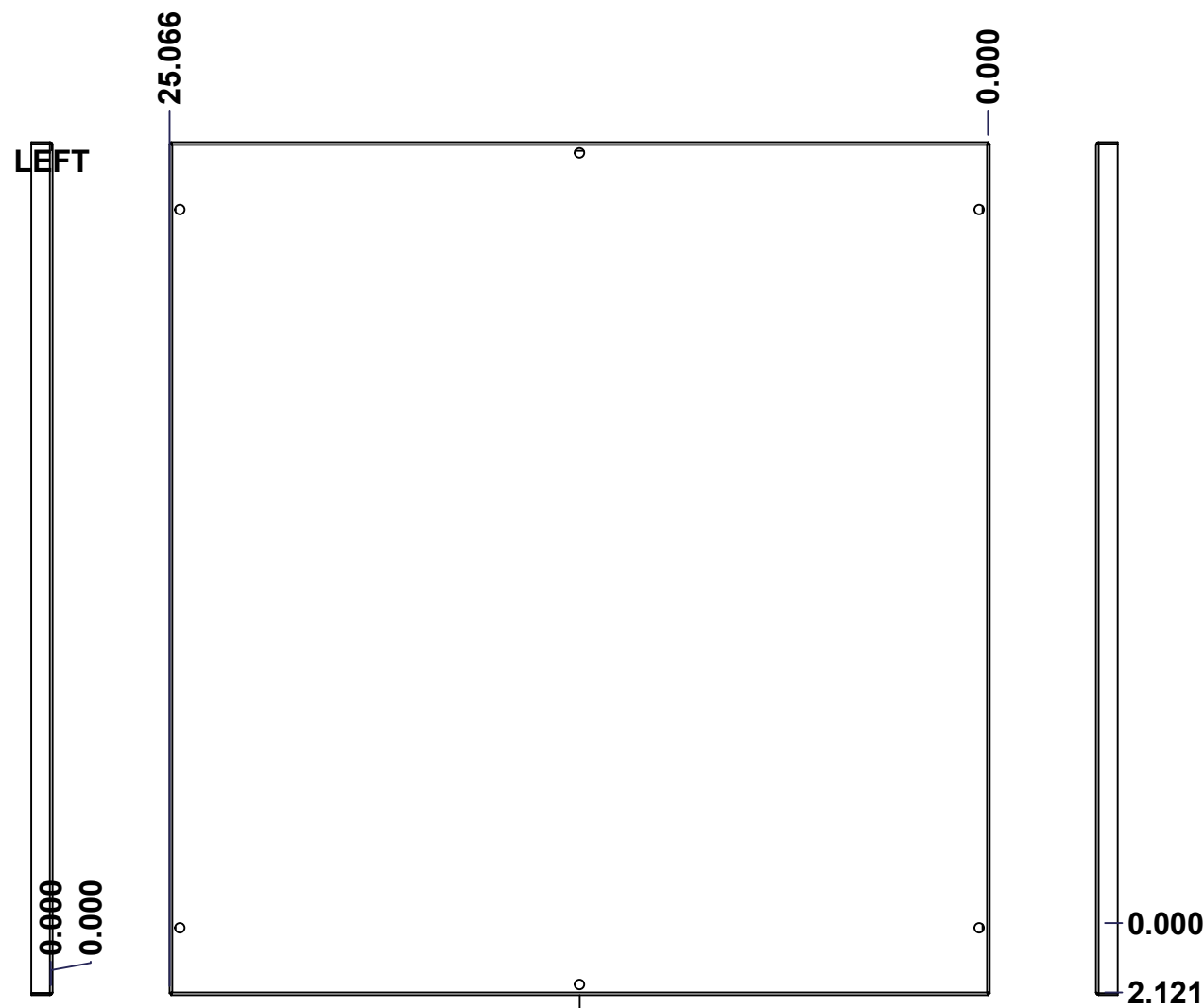


BACK



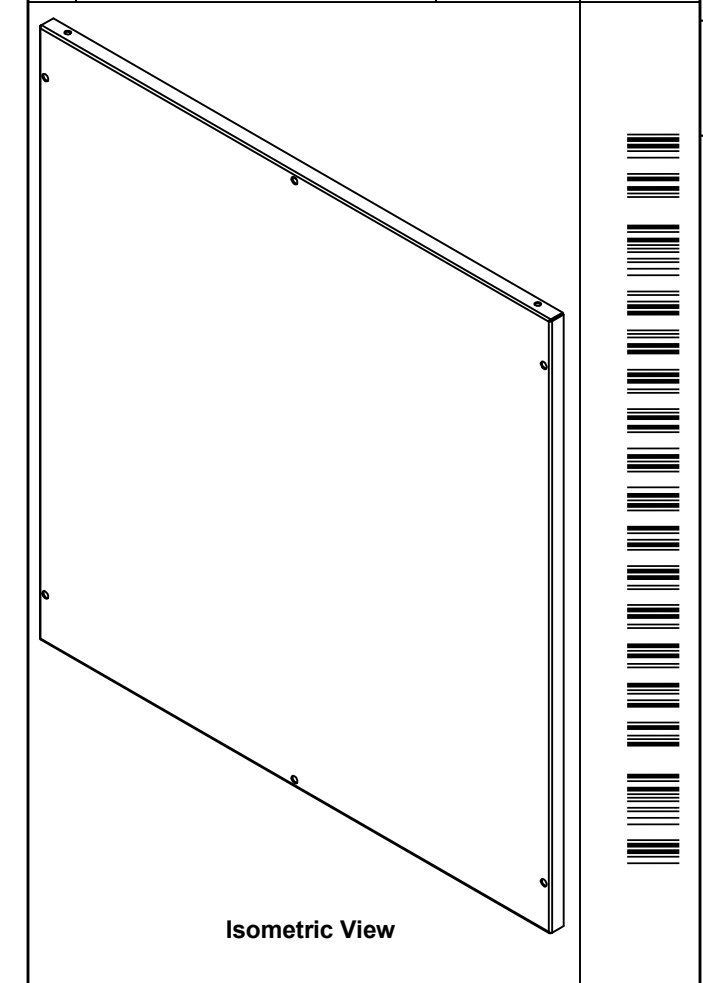
BOTTOM

LEFT

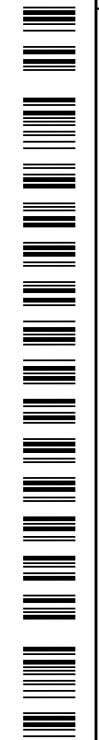


FRONT

No.	Revisions	Date	By/Par



Isometric View



Tél: (450) 979-4373
 Fax: (450) 979-4626
www.exmweb.com

Flatness
Aplatissement
Max 3.0mm
Projection

Customer Client
 Drawn By / Dessiné Par: BoxCad: m_altork
 Date: 16/02/2015

Material / Matière: 16 Ga Stainless Steel 304 (1.4mm)

Color / Couleur: Unpainted
 Finish / Fini: Brushed

Description: 1400BSS603 - 3 Wire Cover
 Detail Rev.

Part Number / Numéro Pièce: 1400BSS603C
 Rev. 0

SEE BILL OF MATERIAL ON LAST PAGE

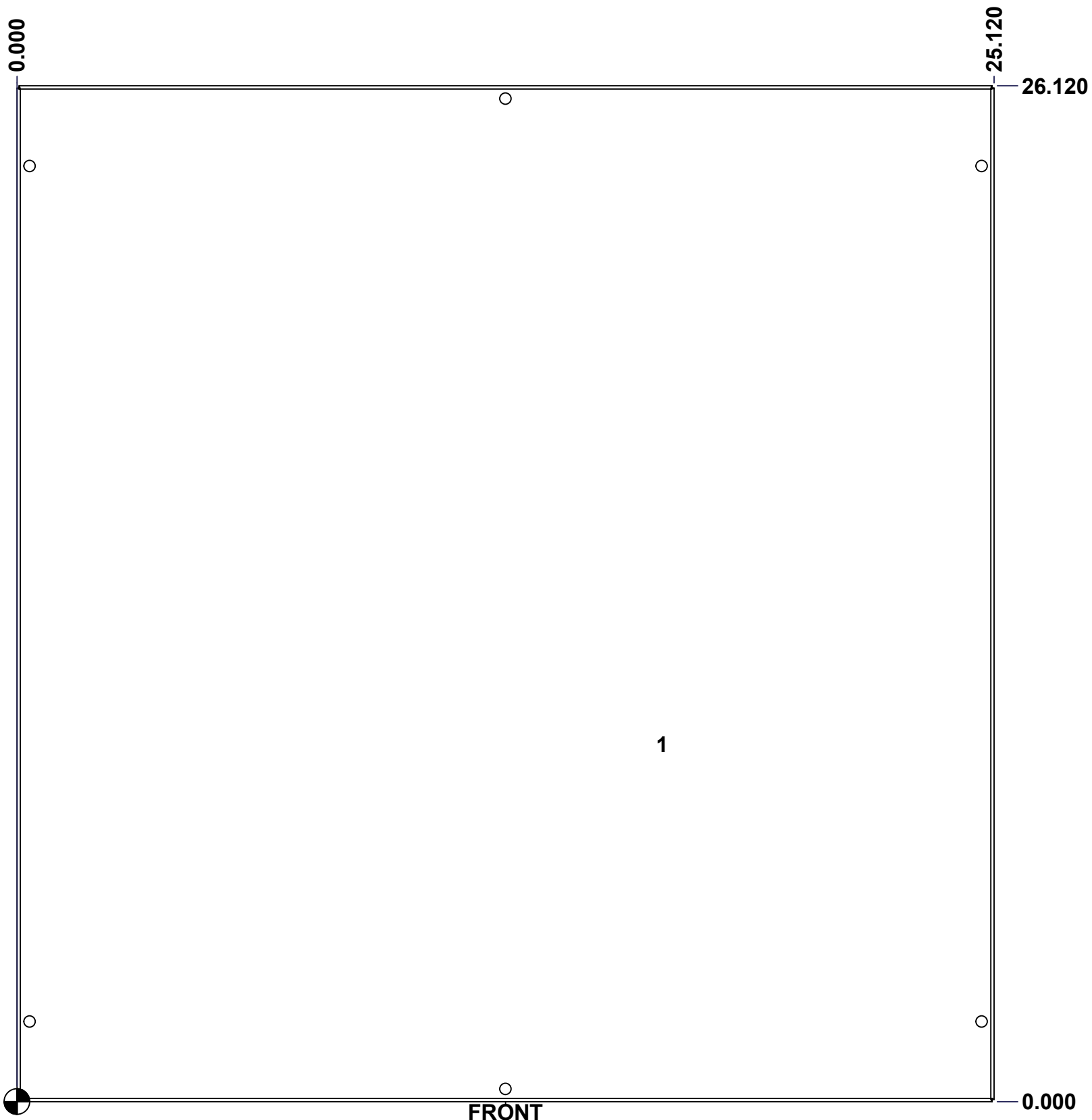
5 / 8

All knockouts are actual size / Les disques défonçables sont grandeur réel

This drawing is confidential and must not be reproduced or used without the consent of Eurobex

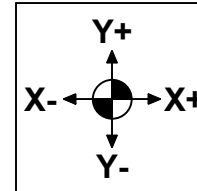
Ce dessin est confidentiel et ne doit pas être reproduit ou utilisé sans le consentement de Eurobex

HOLE TABLE - FRONT VIEW (CUSTOM FEATURE ONLY)			
CUT-OUT	XDIM	YDIM	DESCRIPTION
1	1.145	1.125	GND STANDOFF M6x10mm (Inside)



1

FRONT

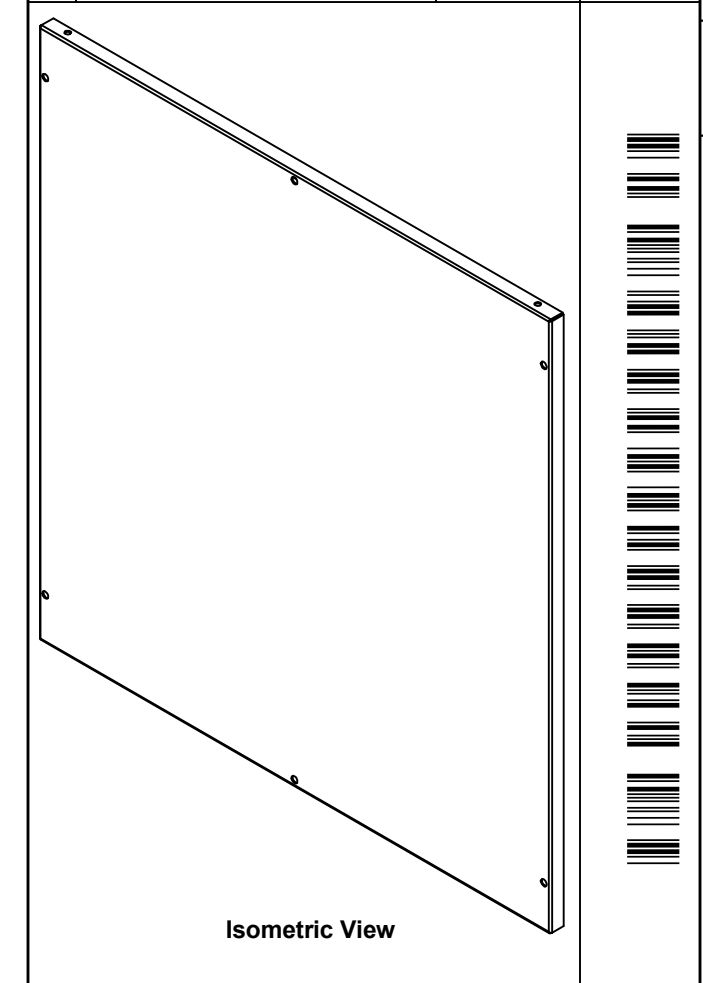


Description		Status	
1400BSS603 - 3 Wire Cover		(NULL)	
Part Number Numéro Pièce		Rev.	6
1400BSS603C		0	8

This drawing is confidential and must not be reproduced or used without the consent of EXM

Ce dessin est confidentiel et ne doit pas être reproduit ou utilisé sans le consentement de EXM

No.	Revisions	Date	By/Par

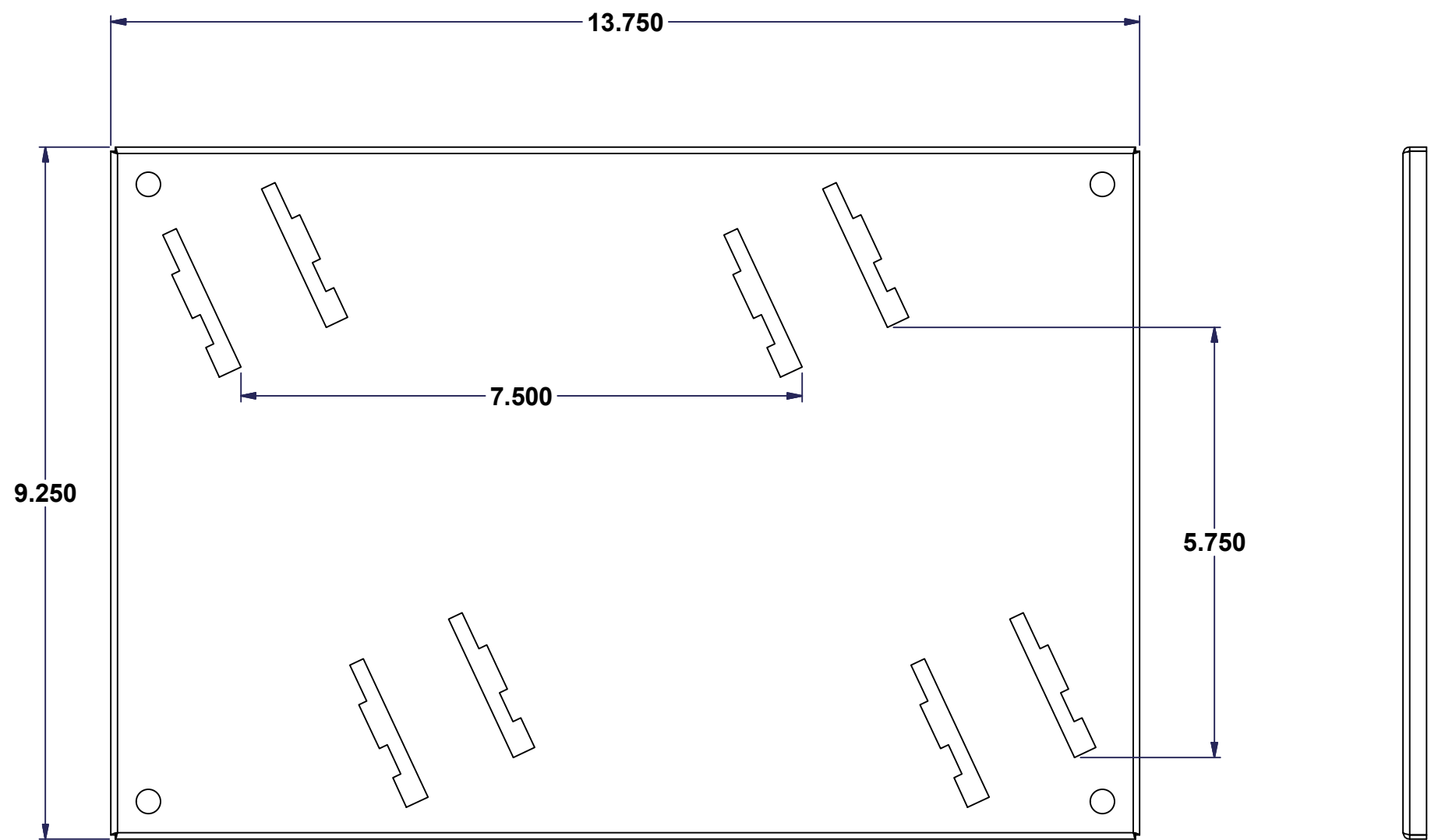


Tél: (450) 979-4373 Fax: (450) 979-4626 www.exmweb.com		Flatness Aplatissement
		Max 3.0mm
Projection 		Date
Customer Client		Date
Drawn By Dessiné Par: BoxCad: m_altork		Date: 16/02/2015
Material Matière: 16 Ga Stainless Steel 304 (1.4mm)		
Color Couleur: Unpainted	Finish Fini: Brushed	
Description: 1400BSS603 - 3 Wire Cover		Detail Rev.
Part Number Numéro Pièce: 1400BSS603C		Rev. 7
		8

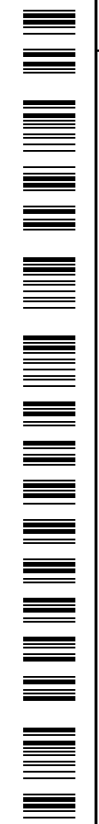
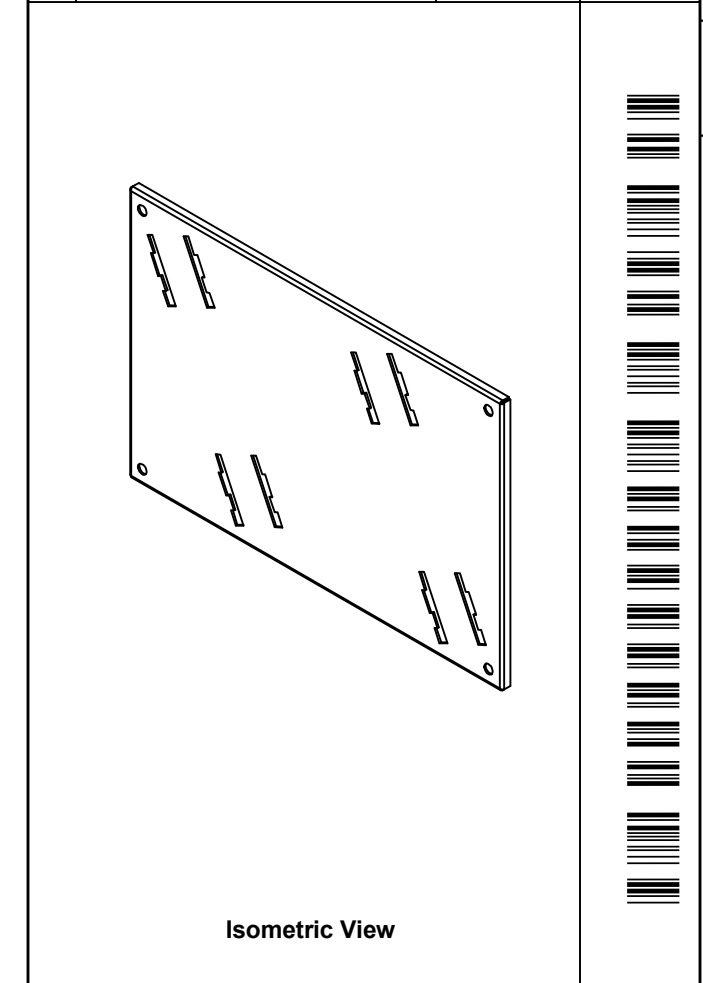
Qty	Part Number	Rev	Description
1	STK-S-00100	0.1.1	3.5" x 2" Silver Milar Flexcon Sticker
1	STK-Q-08350	4	Standoff M6 x 10mm
1	STK-P-02400S	0	Powder Paint (Asa-61 Grey / Smooth)
1	1400B73G	0	5412ESSC 10" x 10" Gasket
1	1400BSS603C-P	0	1400BSS603 - 3 Wire Cover Part
Parts List			


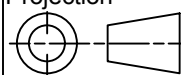
This drawing is confidential and must not be reproduced or used without the consent of EXM

Ce dessin est confidentiel et ne doit pas être reproduit ou utilisé sans le consentement de EXM



No.	Revisions	Date	By/Par
1	Cut-out was rectangle	10-Jan-07	Patrick



 Tél: (450) 979-4373 Fax: (450) 979-4626 www.exmweb.com		Flatness Aplatissement
		Max 3.0mm
Projection 		Date
Customer Client	BoxCad: Patrick Deschenes	Date
Drawn By Dessiné Par	Material Matière	Date
16 Ga H.R.P. & O. (1.4mm)		
Color Couleur	Finish Fini	
Asa-61 Grey	Smooth	
Description		Detail Rev.
1400B40x Inner Pannel - Part		
Part Number Numéro Pièce		Rev.
1400B40xIP-P		8
		8