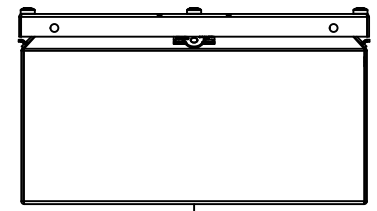


This drawing is confidential and must not be reproduced or used without the consent of EXM

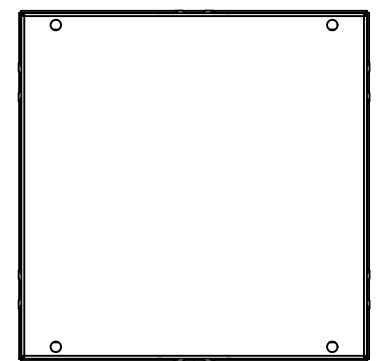
Ce dessin est confidentiel et ne doit pas être reproduit ou utilisé sans le consentement de EXM

**APPROVED FOR PRODUCTION**  
**APPROUVÉ POUR PRODUCTION**  
 SIGNATURE: \_\_\_\_\_  
 NAME / NOM: \_\_\_\_\_  
 DATE: \_\_\_\_\_  
 Please visit: [www.boxcadexm.com](http://www.boxcadexm.com)

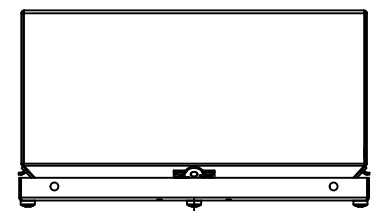
No.	Revisions	Date	By/Par



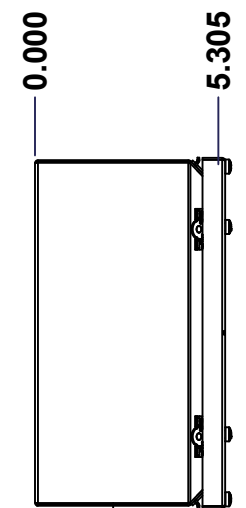
TOP



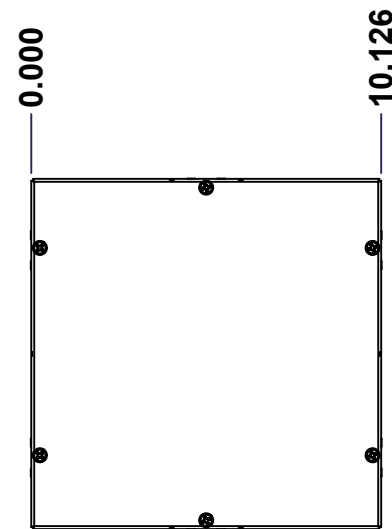
BACK



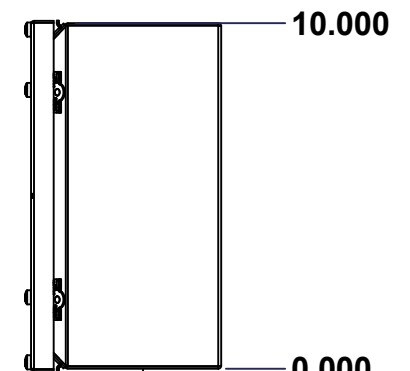
BOTTOM



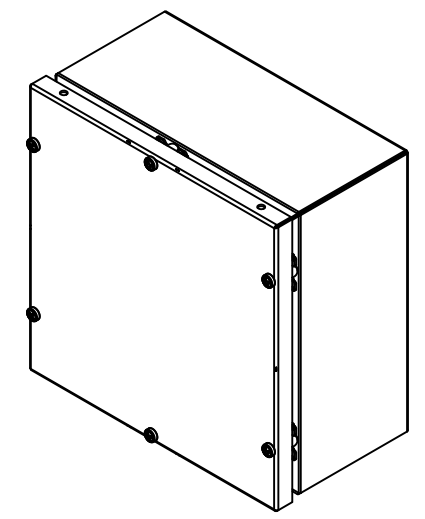
LEFT



FRONT


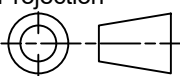


RIGHT



Isometric View



 Tél: (450) 979-4373 Fax: (450) 979-4626 <a href="http://www.exmweb.com">www.exmweb.com</a>		Flatness Aplatissement Max 3.0mm Projection 
Customer Client	Date	
Drawn By Dessiné Par	BoxCad: ArthurC	Date 20-Oct-20
Material Matière	16 Ga Stainless Steel 304 (1.4mm)	
Color Couleur	Unpainted	Finish Fini Brushed
Description	Detail Rev.	
1412BSSP74 Assembly		
Part Number Numéro Pièce	Rev.	1 5
<b>1412BSSP74</b>	<b>0</b>	

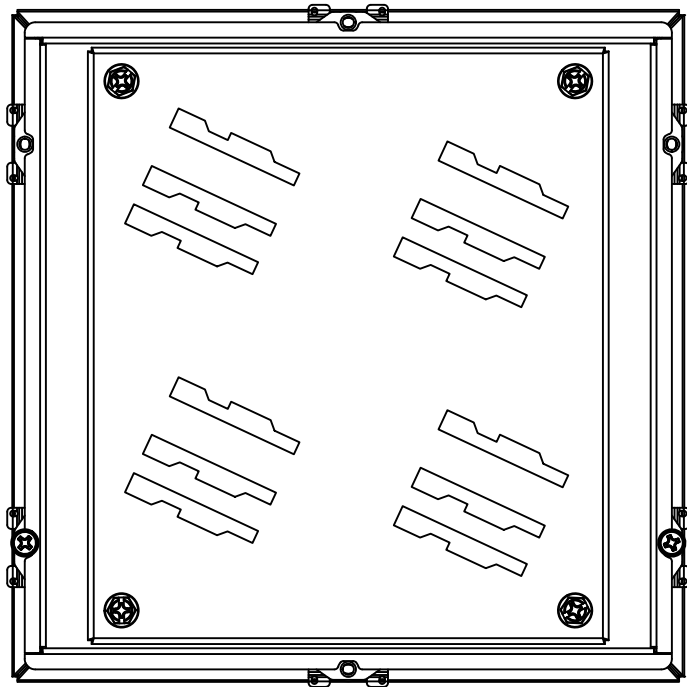
This drawing is confidential and must not be reproduced or used without the consent of EXM

Ce dessin est confidentiel et ne doit pas être reproduit ou utilisé sans le consentement de EXM

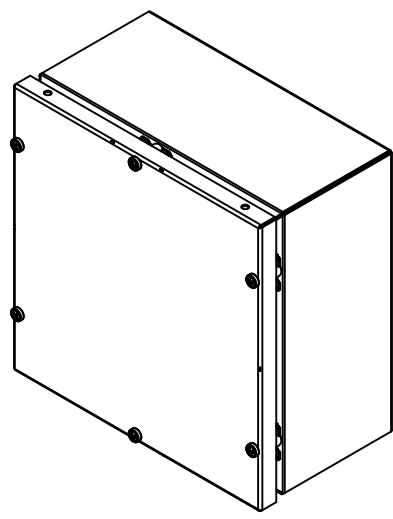
NOTE	
ITEM	DESCRIPTION
1	NEMA 4X Enclosure
2	C/W Standard ground standoffs on box and cover
3	W/O Standard door stiffener
4	C/W Standard inner panel (Sold seperately)
5	C/W Standard inner panel mounting standoffs

**APPROVED FOR PRODUCTION**  
**APPROUVÉ POUR PRODUCTION**  
 SIGNATURE: \_\_\_\_\_  
 NAME / NOM: \_\_\_\_\_  
 DATE: \_\_\_\_\_  
 Please visit: [www.boxcadexm.com](http://www.boxcadexm.com)

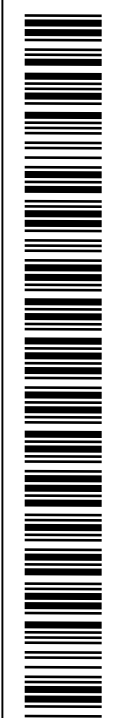
No.	Revisions	Date	By/Par


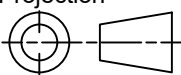


**View Without Cover**



**Isometric View**



 Tél: (450) 979-4373 Fax: (450) 979-4626 <a href="http://www.exmweb.com">www.exmweb.com</a>	Flatness Aplatissement	Max 3.0mm
	Projection	
Customer Client	Date	
Drawn By Dessiné Par	BoxCad: ArthurC	Date 20-Oct-20
Material Matière	16 Ga Stainless Steel 304 (1.4mm)	
Color Couleur	Unpainted	Finish Fini Brushed
Description	Detail Rev.	
1412BSSP74 Assembly		
Part Number Numéro Pièce	Rev. 0	2 / 5
<b>1412BSSP74</b>		

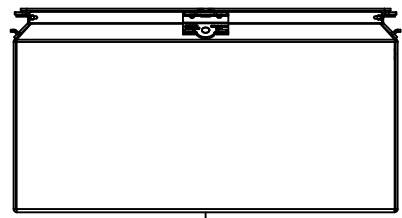
Qty	Part Number	Rev.	Description
4	STK-Q-03200	0	M6 x 8mm Hexagon/Slot Screw
6	STK-Q-03035	2.1	Stainless Steel 316 Phillips Oval Head Screw M5 x 18.5 (Pitch 0.8mm)
6	STK-Q-77280	0	5412 ESSC M5 Countersink Insert (Flat Hole)
1	1412BSSP74C	0	1412BSSP74 Cover
1	1412BSSP74B	0	1412BSSP74 Body
Parts List			

This drawing is confidential and must not be reproduced or used without the consent of EXM

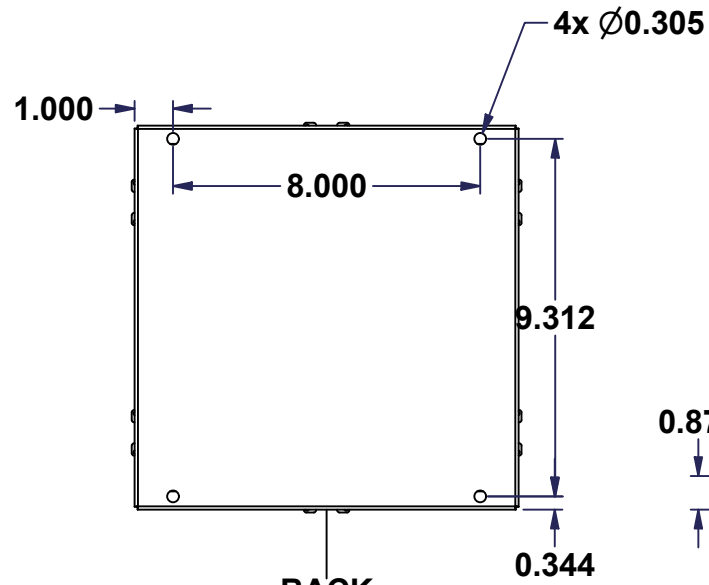
Ce dessin est confidentiel et ne doit pas être reproduit ou utilisé sans le consentement de EXM

**APPROVED FOR PRODUCTION**  
**APPROUVÉ POUR PRODUCTION**  
 SIGNATURE: \_\_\_\_\_  
 NAME / NOM: \_\_\_\_\_  
 DATE: \_\_\_\_\_  
 Please visit: [www.boxcadexm.com](http://www.boxcadexm.com)

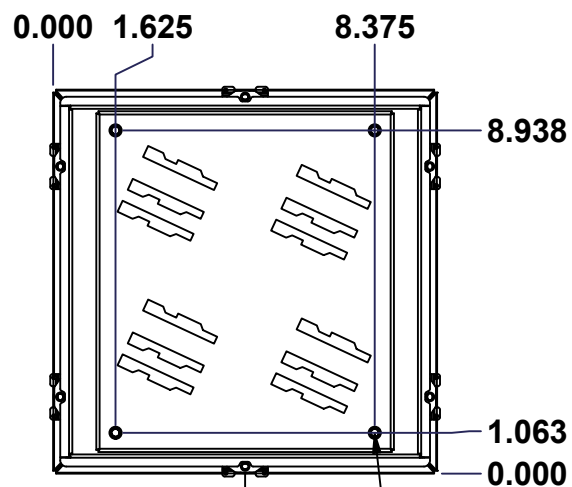
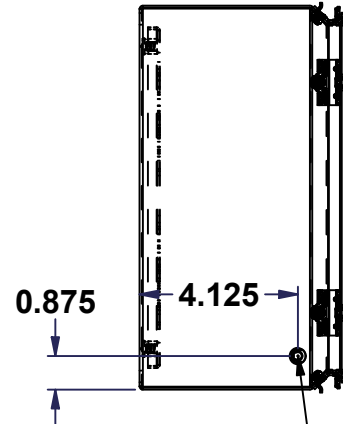
No.	Revisions	Date	By/Par



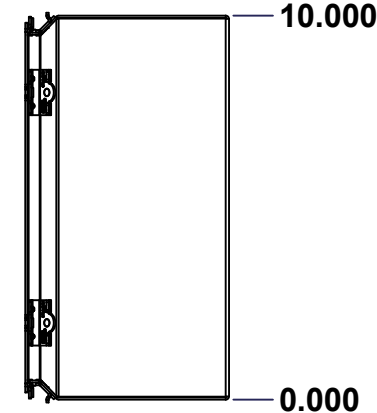
BACK



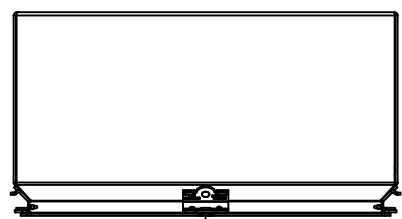
BACK



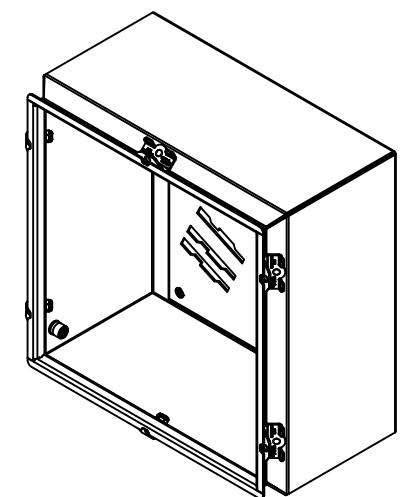
BACK



Standoff M6x10mm (Inside)      4x Standoff M6x10mm



BACK



Isometric View



Qty	Part Number	Rev.	Description
1	1412BSSP74IP	0	1412BSSP74 Inner Panel
5	STK-Q-08500	4	Stainless Steel Standoff M6 x 10mm
1	STK-P-02400S	0	Powder Paint (Asa-61 Grey / Smooth)
5	STK-Q-08100-3	1	M5 Nylon Insert Lock Nut
1	STK-Q-08100-1	1	M5 Nylon Insert Lock Nut
1	1412BSSP74B-P	0	1412BSSP74 Body Part
6	DEV-STK-Q-70464	2	5412 ESSC & ESSC Stainless Steel Body Catch Assembly
Parts List			

Tél: (450) 979-4373  
 Fax: (450) 979-4626  
[www.exmweb.com](http://www.exmweb.com)

Flatness  
Aplatissement  
Max 3.0mm

Projection

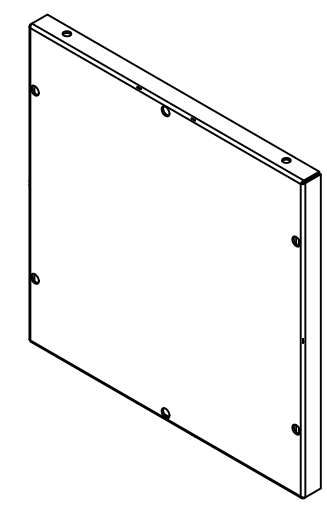
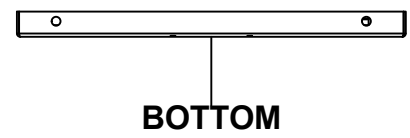
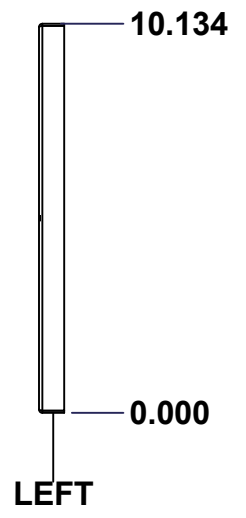
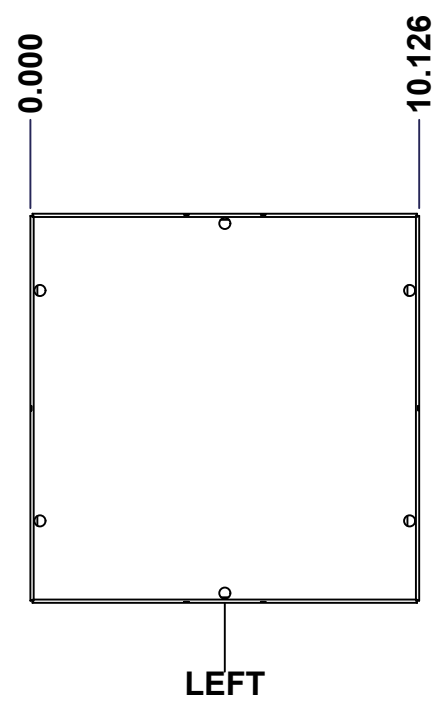
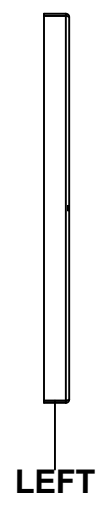
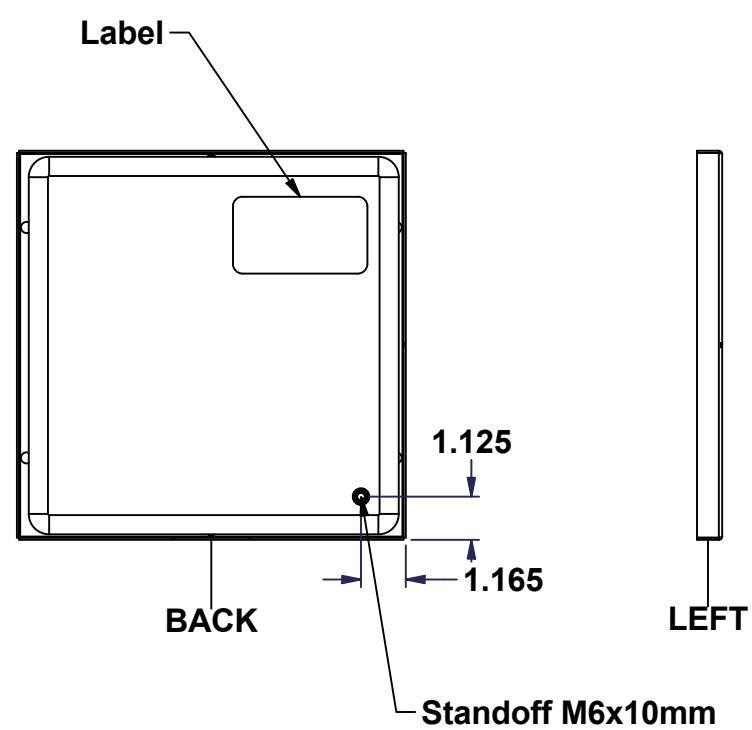
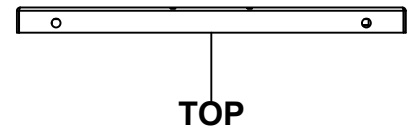
Customer Client	Date
Drawn By / Dessiné Par: BoxCad: ArthurC	Date: 20-Oct-20
Material / Matière: 16 Ga Stainless Steel 304 (1.4mm)	
Color / Couleur: Unpainted	Finish / Fini: Brushed
Description: 1412BSSP74 Body	Detail Rev.
Part Number / Numéro Pièce: <b>1412BSSP74B</b>	Rev. 0 / 3

This drawing is confidential and must not be reproduced or used without the consent of EXM

Ce dessin est confidentiel et ne doit pas être reproduit ou utilisé sans le consentement de EXM

**APPROVED FOR PRODUCTION**  
**APPROUVÉ POUR PRODUCTION**  
 SIGNATURE: \_\_\_\_\_  
 NAME / NOM: \_\_\_\_\_  
 DATE: \_\_\_\_\_  
 Please visit: [www.boxcadexm.com](http://www.boxcadexm.com)

No.	Revisions	Date	By/Par



**EXM**  
 Tél: (450) 979-4373  
 Fax: (450) 979-4626  
[www.exmweb.com](http://www.exmweb.com)

Flatness  
 Aplatissement  
 Max 3.0mm

Projection

Customer Client	Date
Drawn By Dessiné Par BoxCad: ArthurC	Date 20-Oct-20
Material Matière 16 Ga Stainless Steel 304 (1.4mm)	
Color Couleur Unpainted	Finish Fini Brushed

Qty	Part Number	Rev.	Description
1	STK-Q-08500	4	Stainless Steel Standoff M6 x 10mm
1	STK-P-02400S	0	Powder Paint (Asa-61 Grey / Smooth)
1	STK-S-00100	0	3.5" x 2" Silver Milar Flexcon Sticker
1	1412BSSP74G	0	1412BSSP74 Gasket
1	1412BSSP74C-P	0	1412BSSP74 Cover Part

Parts List

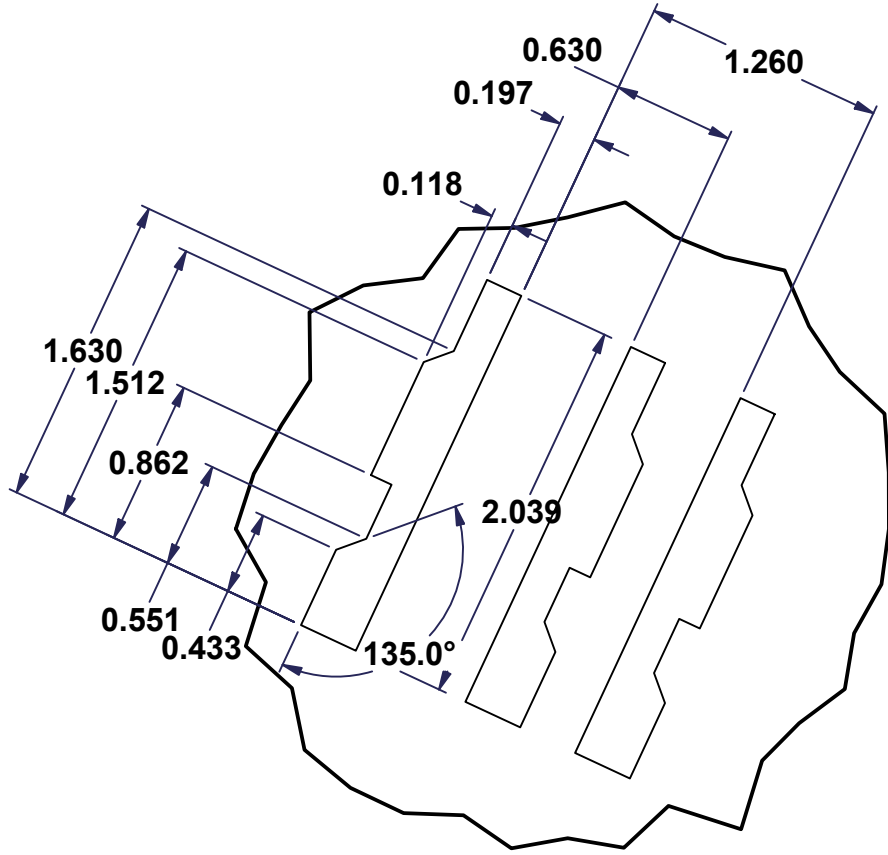
Description	Detail Rev.
1412BSSP74 Cover	
Part Number Numéro Pièce	Rev.
<b>1412BSSP74C</b>	<b>0</b>
	4
	5

This drawing is confidential and must not be reproduced or used without the consent of EXM

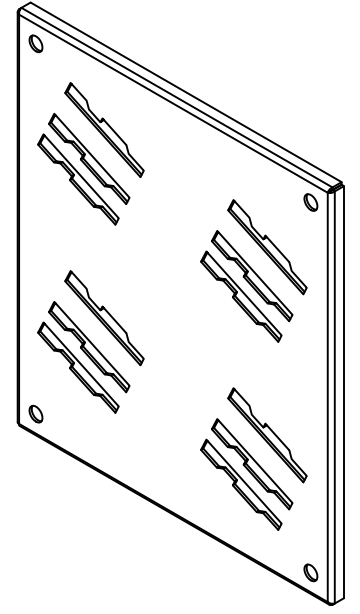
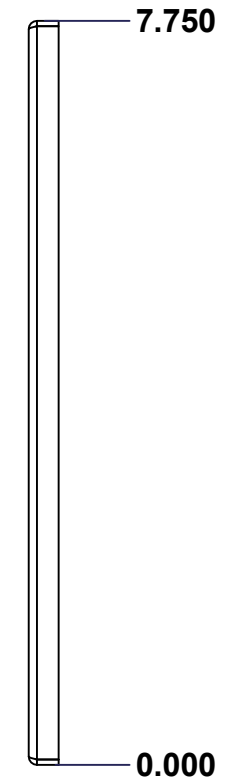
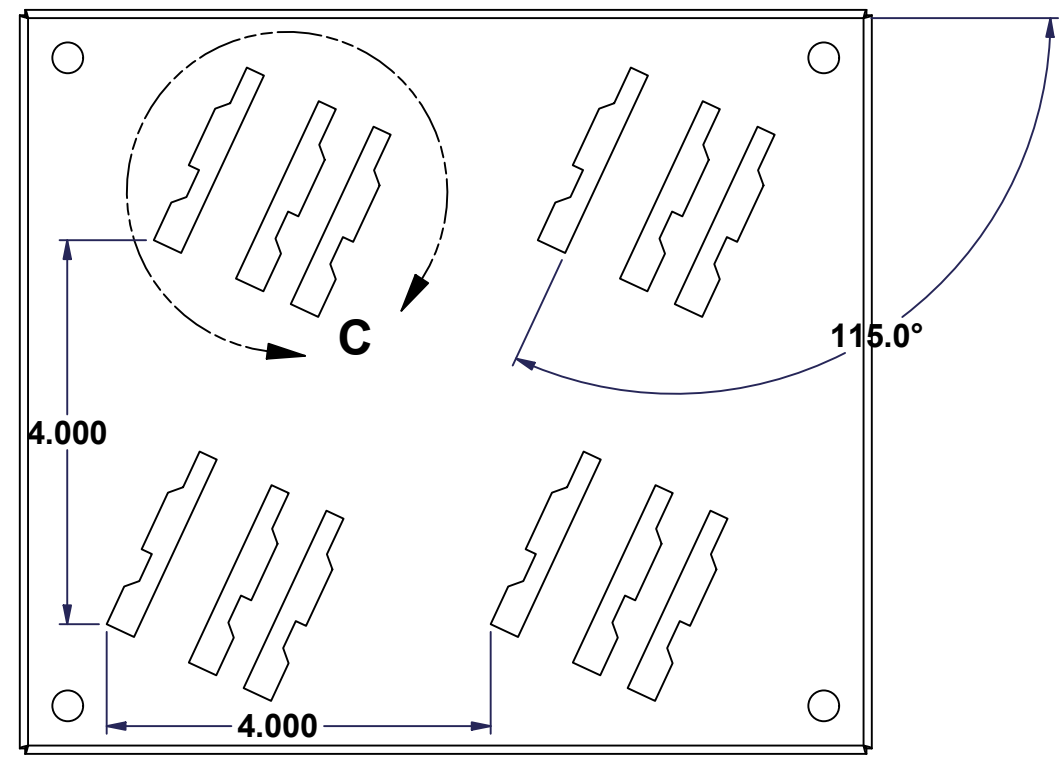
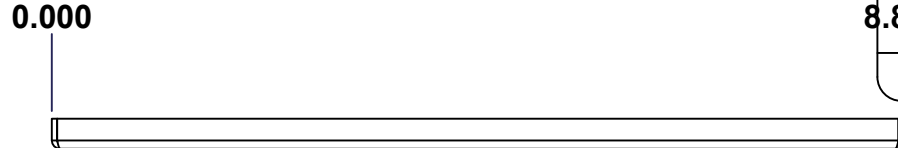
Ce dessin est confidentiel et ne doit pas être reproduit ou utilisé sans le consentement de EXM

**APPROVED FOR PRODUCTION**  
**APPROUVÉ POUR PRODUCTION**  
 SIGNATURE: \_\_\_\_\_  
 NAME / NOM: \_\_\_\_\_  
 DATE: \_\_\_\_\_  
 Please visit: [www.boxcadexm.com](http://www.boxcadexm.com)

No.	Revisions	Date	By/Par


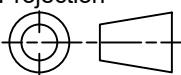


**DETAIL C**



**Isometric View**



 Tél: (450) 979-4373 Fax: (450) 979-4626 <a href="http://www.exmweb.com">www.exmweb.com</a>	Flatness Aplatissement	Max 3.0mm
	Projection	
Customer Client	Date	
Drawn By Dessiné Par	BoxCad: Patrick Deschênes	Date 10/21/2020
Material Matière	16 Ga Galvanized (1.4mm)	
Color Couleur	Unpainted	Finish Fini Galvanized
Description	Detail Rev.	
1412BSSP74 Inner Panel		
Part Number Numéro Pièce	Rev. 0	5
<b>1412BSSP74IP</b>		5

Qty	Part Number	Rev.	Description
1	1412BSSP74IP-P	0	1412BSSP74 Inner Panel Part

Parts List