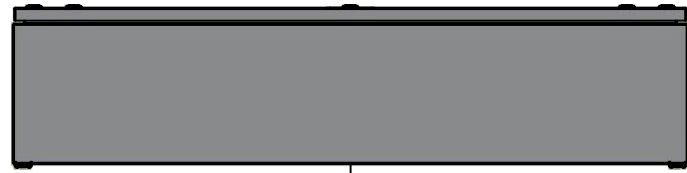


This drawing is confidential and must not be reproduced or used without the consent of EXM

Ce dessin est confidentiel et ne doit pas être reproduit ou utilisé sans le consentement de EXM



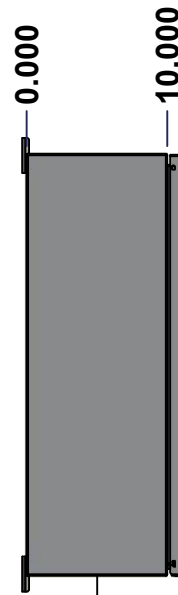
TOP



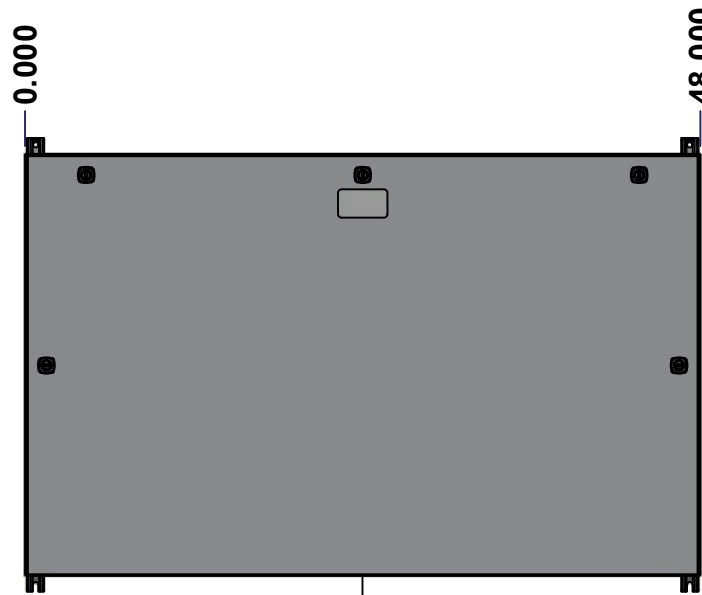
BACK



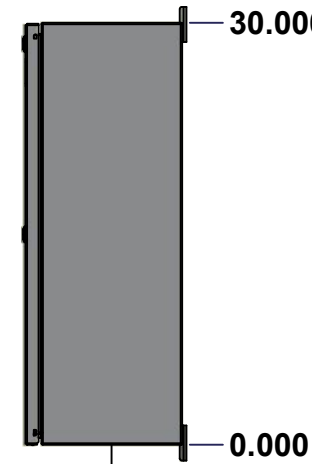
BOTTOM



LEFT

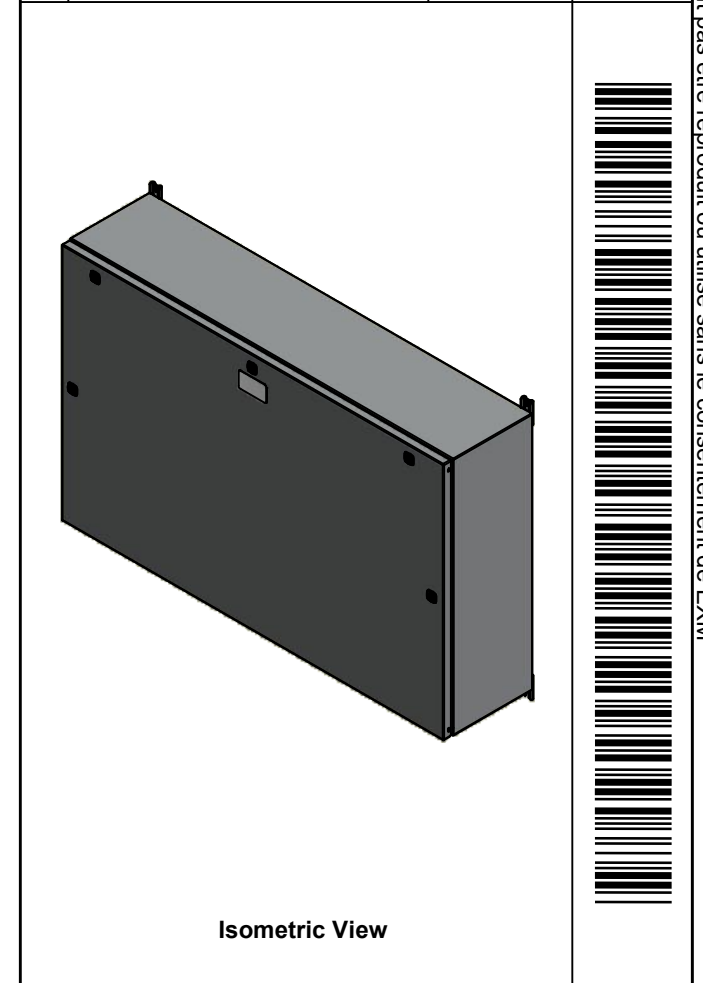


FRONT


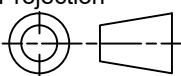


RIGHT

No.	Revisions	Date	By/Par



Isometric View

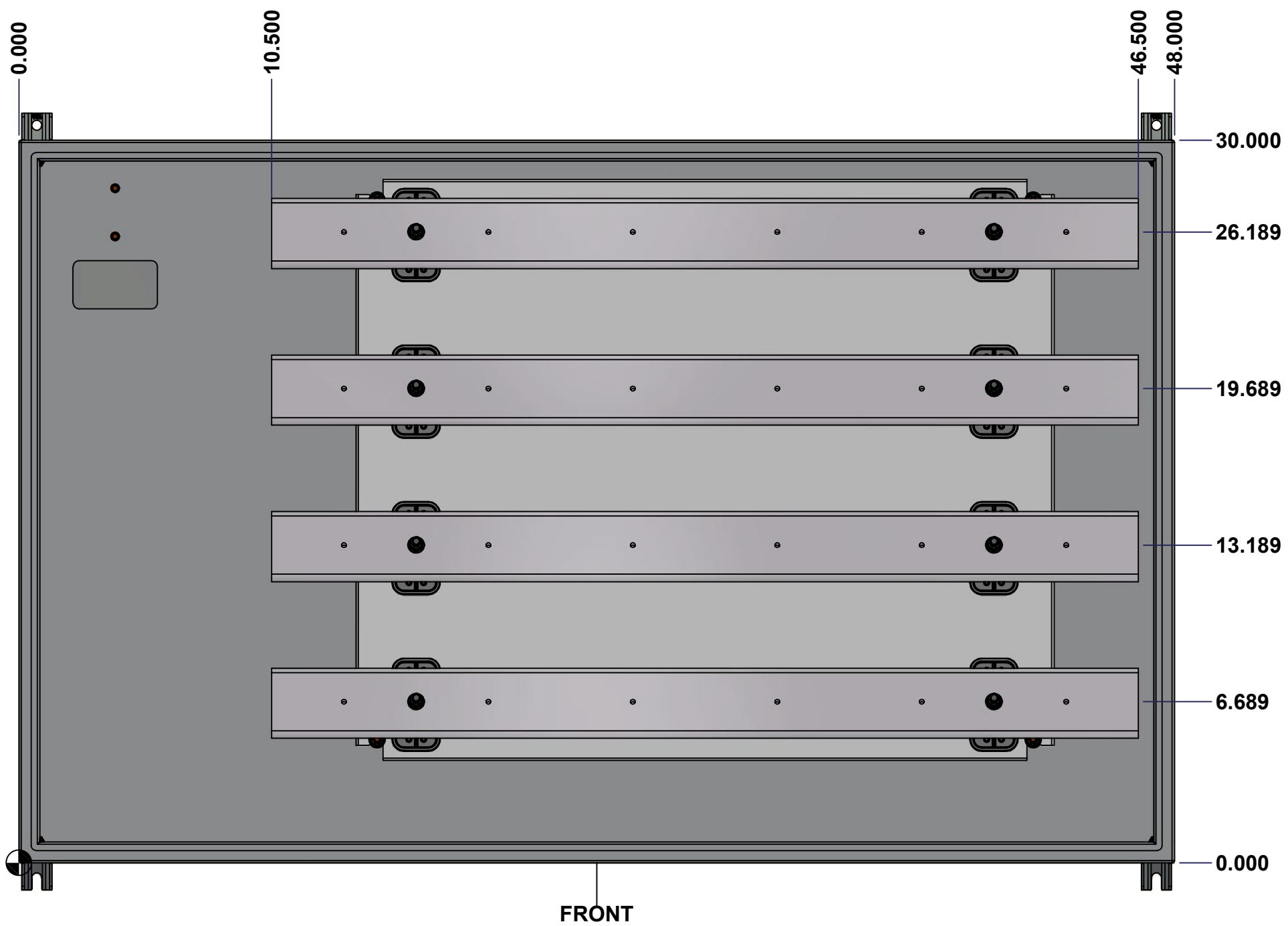
 Tél: (450) 979-4373 Fax: (450) 979-4626 www.exmweb.com		Flatness Aplatissement Max 3.0mm Projection 
Customer Client	Date	
Drawn By Dessiné Par	BoxCad: BoxCad	Date 10/3/2022
Material Matière	14 Ga Cold Rolled A1008 CS Type B (1.7mm)	
Color Couleur	Asa-61 Grey	Finish Fini Smooth
Description 1412BT 800A - 4Wires x 48" Assembly		Detail Rev.
Part Number Numéro Pièce	1412BT04804DT	Rev. 1 0

SEE BILL OF MATERIAL ON LAST PAGE

This drawing is confidential and must not be reproduced or used without the consent of Eurobox

STANDARD FEATURES ARE NOT LISTED IN THIS HOLE TABLE

Ce dessin est confidentiel et ne doit pas être reproduit ou utilisé sans le consentement de Eurobox



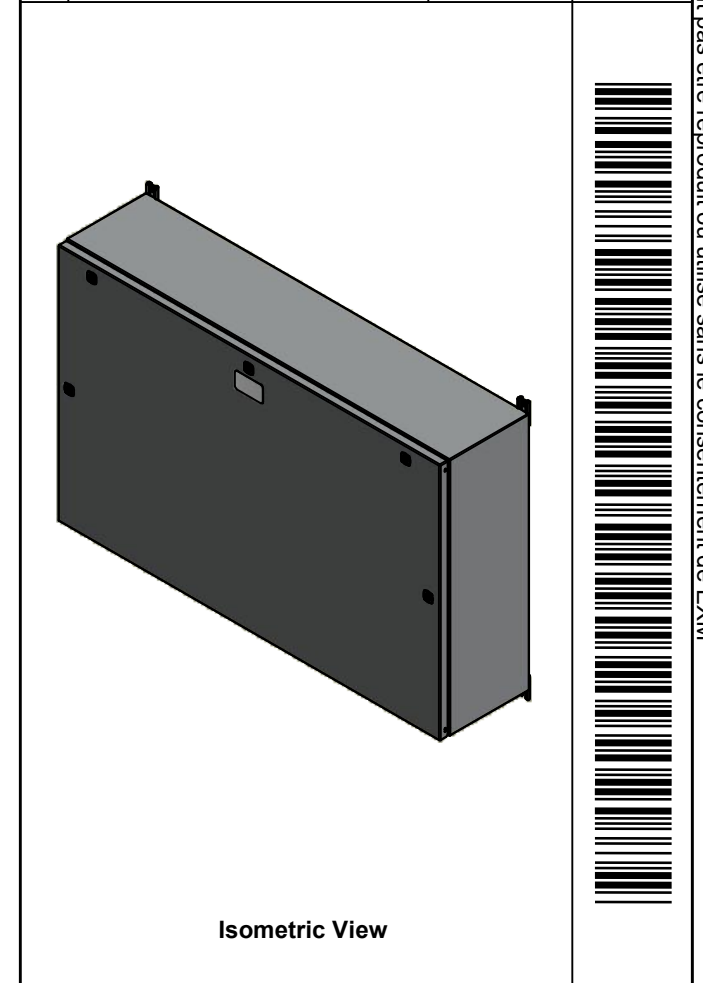
	Description	Status	
	1412BT 800A - 4Wires x 48" Assembly	(NULL)	
	Part Number Numéro Pièce	Rev.	2
	1412BT04804DT	0	15

This drawing is confidential and must not be reproduced or used without the consent of EXM

Ce dessin est confidentiel et ne doit pas être reproduit ou utilisé sans le consentement de EXM


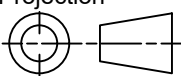
NOTE	
ITEM	DESCRIPTION
1	NEMA 4/12 Enclosure
2	C/W Standard ground studs on box and cover
3	W/O Standard door stiffener
4	C/W Special inner panel (Sold separately)
5	C/W Standard inner panel mounting studs

No.	Revisions	Date	By/Par



PACKING		
ITEM	QTY	DESCRIPTION
Cardboard sleeve	2	Top and Bottom
Cardboard strip	2	Between back of enclosure and inner panel
Plastic bag	1	To protect cover surface and inside gasket
Cardboard corner	4	To reinforced for the plastic strap tightening
Plastic strap - Black	2	To Squeeze 2 cardboard sleeve together
Packaging label	3	White label with PN
Plastic strap- Green	2	To secure the enclosure to the wood pallet
Wood Pallet	1	2" deeper and 3" larger than enclosure size

1	885 ESMF1	0	885 ESMF1 Mounting Feet Kit
1	1412BT04804DTBAR4-P	0	Rounded Edge Aluminum Bar 1/2" x 3"
1	1412BT04804DTBAR1-P	0	Rounded Edge Aluminum Bar 1/2" x 3"
1	1412BT04804DTBAR2-P	0	Rounded Edge Aluminum Bar 1/2" x 3"
1	1412BT04804DTBAR3-P	0	Rounded Edge Aluminum Bar 1/2" x 3"
1	1412BT04804DTIP1	0	1412BT 24.125" x 29" Inner Panel
8	STK-A-67400	0	Buss Bar Insulator Kit
1	STK-K-01800	5	5412 ES Accessory Kit
4	STK-Q-04050-07	7	M6 x 7mm Hexagon Socket Head Machine Screw with Nyseal
12	STK-Q-07310	2	Flange Lock Nut M8
4	STK-Q-07610	8	M8 Plastic Spacer 22.2mm
1	1412BT04804DTB	0	1412BT 30" x 48" x 10" Body
1	1412BT04804DTC	0	1412BT 30" x 48" Cover
Qty	Part Number	Rev	Description
Parts List			

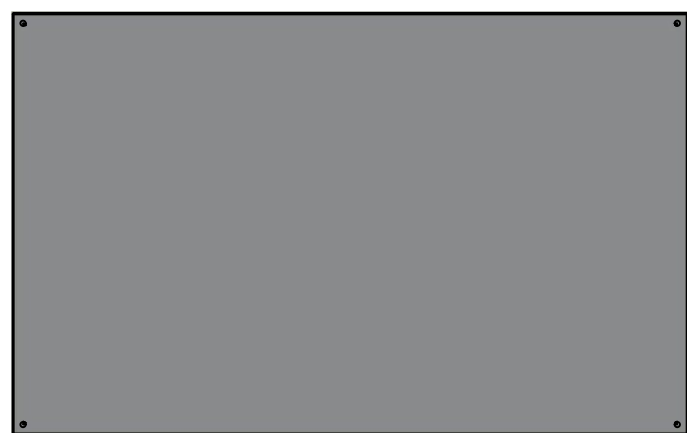
 Tél: (450) 979-4373 Fax: (450) 979-4626 www.exmweb.com	Flatness Aplatissement	Max 3.0mm
	Projection	
Customer Client	Date	
Drawn By Dessiné Par	BoxCad: BoxCad	Date 10/3/2022
Material Matière	14 Ga Cold Rolled A1008 CS Type B (1.7mm)	
Color Couleur	Asa-61 Grey	Finish Fini Smooth
Description	Detail Rev.	
1412BT 800A - 4Wires x 48" Assembly		
Part Number Numéro Pièce	Rev. 0	3 / 15
1412BT04804DT		

This drawing is confidential and must not be reproduced or used without the consent of EXM

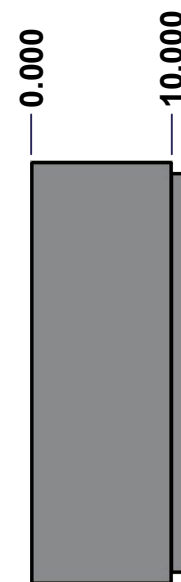
Ce dessin est confidentiel et ne doit pas être reproduit ou utilisé sans le consentement de EXM



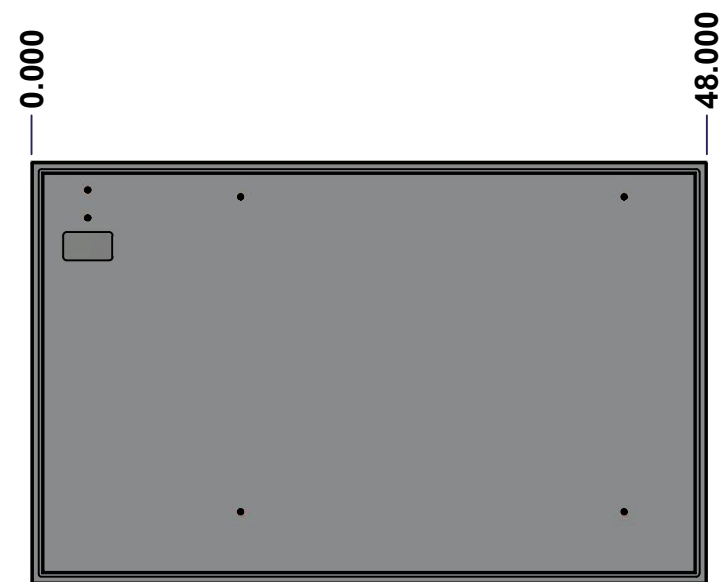
TOP



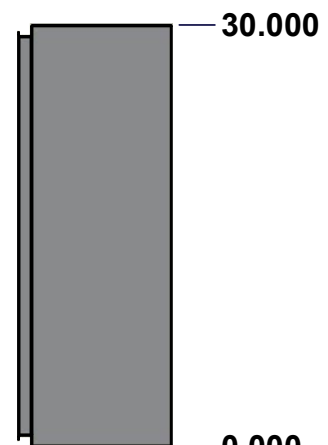
BACK



LEFT



FRONT

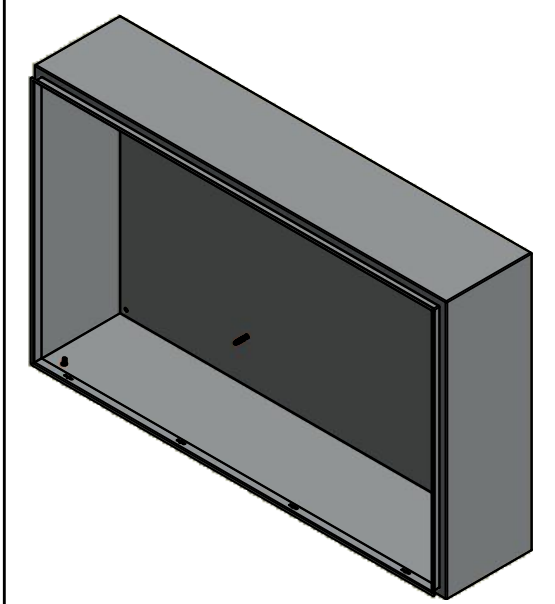


RIGHT

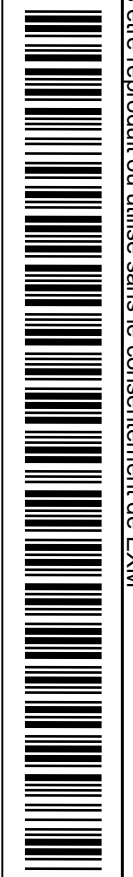



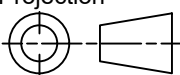
BOTTOM

No.	Revisions	Date	By/Par



Isometric View



 Tél: (450) 979-4373 Fax: (450) 979-4626 www.exmweb.com		Flatness Aplatissement Max 3.0mm Projection 
Customer Client	Date	
Drawn By Dessiné Par	BoxCad: BoxCad	Date 10/3/2022
Material Matière	14 Ga Cold Rolled A1008 CS Type B (1.7mm)	
Color Couleur	Asa-61 Grey	Finish Fini Smooth
Description 1412BT 30" x 48" x 10" Body		Detail Rev.
Part Number Numéro Pièce	1412BT04804DTB	Rev. 4
SEE BILL OF MATERIAL ON LAST PAGE		0

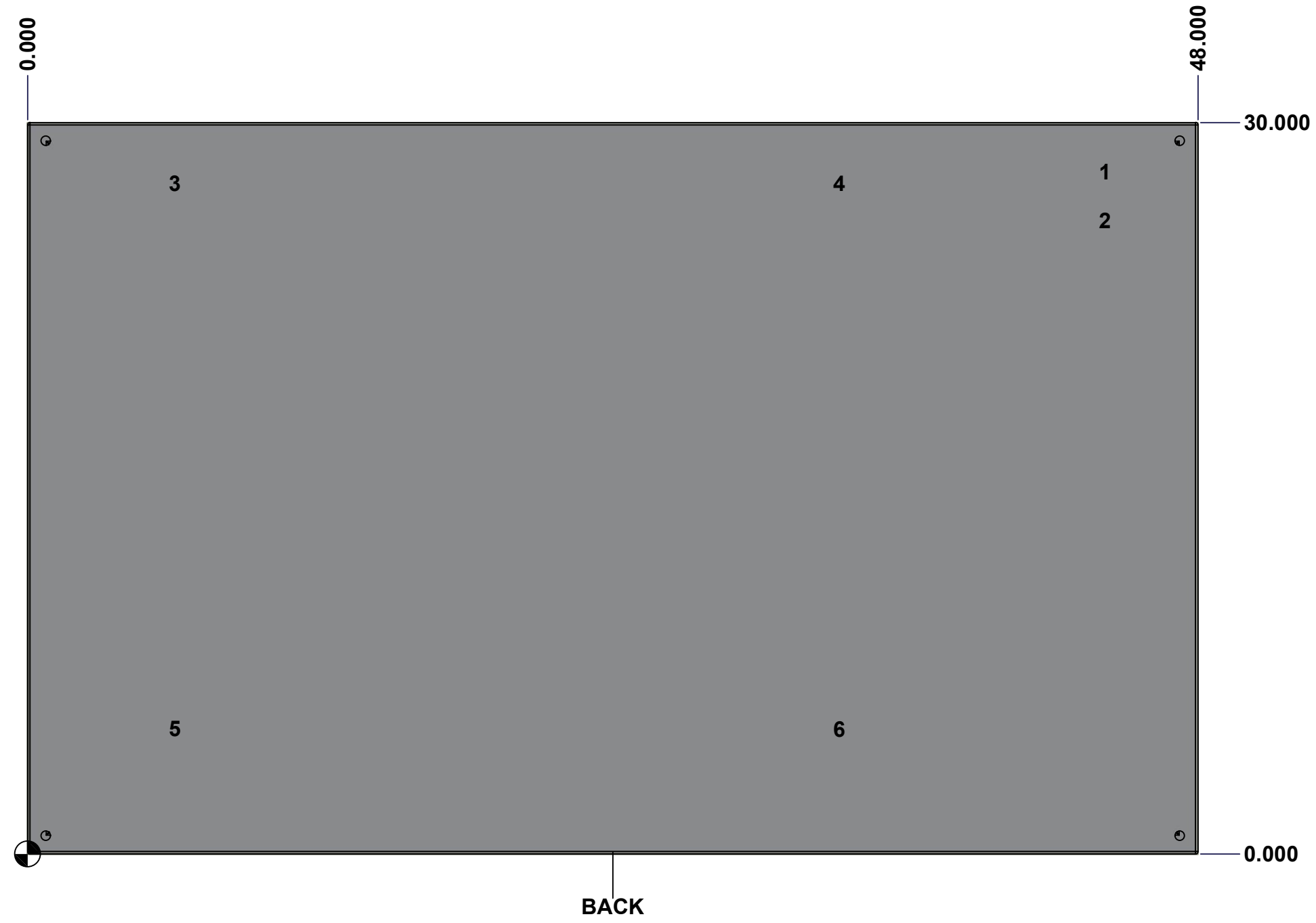
This drawing is confidential and must not be reproduced or used without the consent of Eurobox

Ce dessin est confidentiel et ne doit pas être reproduit ou utilisé sans le consentement de Eurobox

STANDARD FEATURES ARE NOT LISTED IN THIS HOLE TABLE

HOLE TABLE - BACK VIEW (CUSTOM FEATURE ONLY)

CUT-OUT	XDIM	YDIM	DESCRIPTION
1	44.000	28.000	GND STUD M8 x 35mm (Inside)
2	44.000	26.000	GND STUD M8 x 35mm (Inside)
3	5.875	27.500	IP STUD M8 x 35mm (Inside)
4	33.125	27.500	IP STUD M8 x 35mm (Inside)
5	5.875	5.125	IP STUD M8 x 35mm (Inside)
6	33.125	5.125	IP STUD M8 x 35mm (Inside)

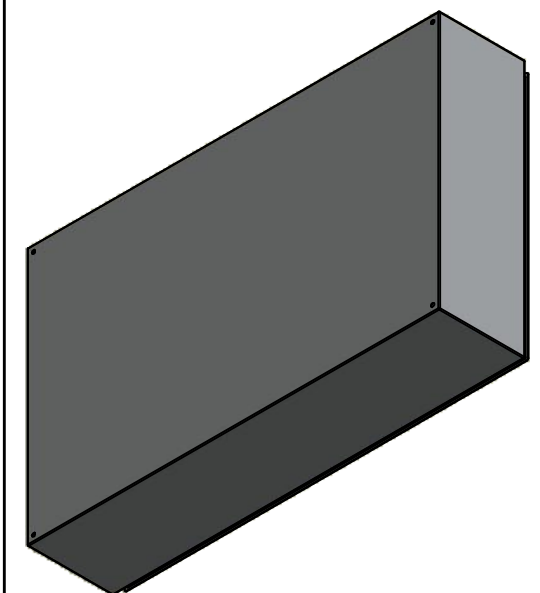


	Description	Status	
	1412BT 30" x 48" x 10" Body	(NULL)	
	Part Number Numéro Pièce	Rev.	5
	1412BT04804DTB	0	15

This drawing is confidential and must not be reproduced or used without the consent of EXM

Ce dessin est confidentiel et ne doit pas être reproduit ou utilisé sans le consentement de EXM

No.	Revisions	Date	By/Par



Isometric View



EXM
www.exmweb.com

Tél: (450) 979-4373
Fax: (450) 979-4626

Flatness
Aplatissement
Max 3.0mm

Projection

Customer Client	Date
Drawn By / Dessiné Par: BoxCad: BoxCad	Date: 10/3/2022
Material / Matière: 14 Ga Cold Rolled A1008 CS Type B (1.7mm)	

Color / Couleur: Asa-61 Grey	Finish / Fini: Smooth
------------------------------	-----------------------

Description: 1412BT 30" x 48" x 10" Body	Detail Rev.
--	-------------

Part Number / Numéro Pièce: 1412BT04804DTB	Rev. 0	6
---	--------	---

Qty	Part Number	Rev	Description
1	STK-P-02400S	0	Powder Paint (Asa-61 Grey / Smooth)
6	STK-Q-16005	1	Stud M8 x 35 (No Paint Cap Required)
1	STK-Q-16080	0	Ground Stud M6 x 16mm
1	STK-S-00100	0	3.5" x 2" Silver Milar Flexcon Sticker
1	1412BT04804DTB-P	0	1412BT 30" x 48" x 10" Body Part
Parts List			

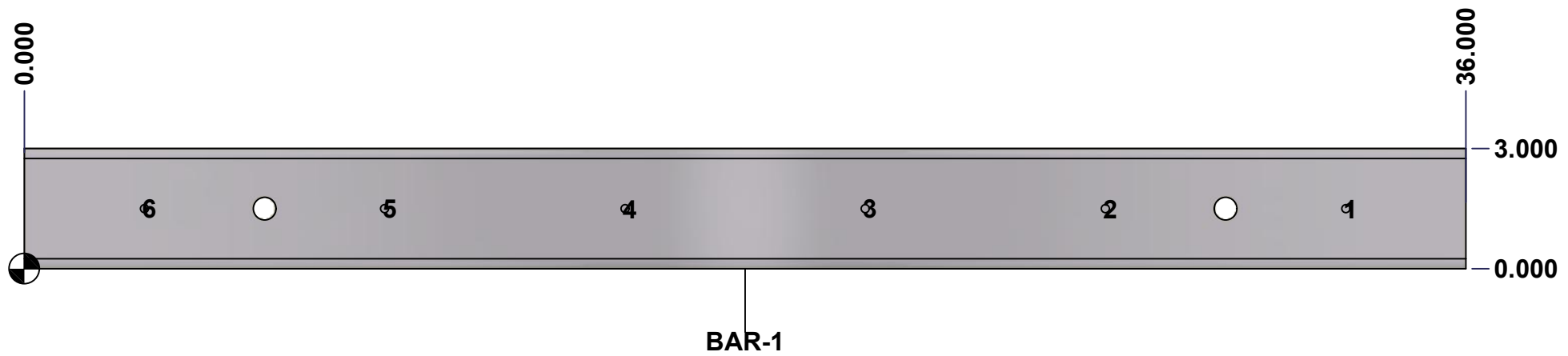
This drawing is confidential and must not be reproduced or used without the consent of Eurobex

Ce dessin est confidentiel et ne doit pas être reproduit ou utilisé sans le consentement de Eurobex

STANDARD FEATURES ARE NOT LISTED IN THIS HOLE TABLE

HOLE TABLE - FRONT VIEW (CUSTOM FEATURE ONLY)

CUT-OUT	XDIM	YDIM	DESCRIPTION
1	33.000	1.500	RND Ø0.201 THREAD 1/4-20 UNC
2	27.000	1.500	RND Ø0.201 THREAD 1/4-20 UNC
3	21.000	1.500	RND Ø0.201 THREAD 1/4-20 UNC
4	15.000	1.500	RND Ø0.201 THREAD 1/4-20 UNC
5	9.000	1.500	RND Ø0.201 THREAD 1/4-20 UNC
6	3.000	1.500	RND Ø0.201 THREAD 1/4-20 UNC



	Description		Status
	Rounded Edge Aluminum Bar 1/2" x 3"		(NULL)
Part Number Numéro Pièce		Rev.	7
1412BT04804DTBAR1-P		0	15

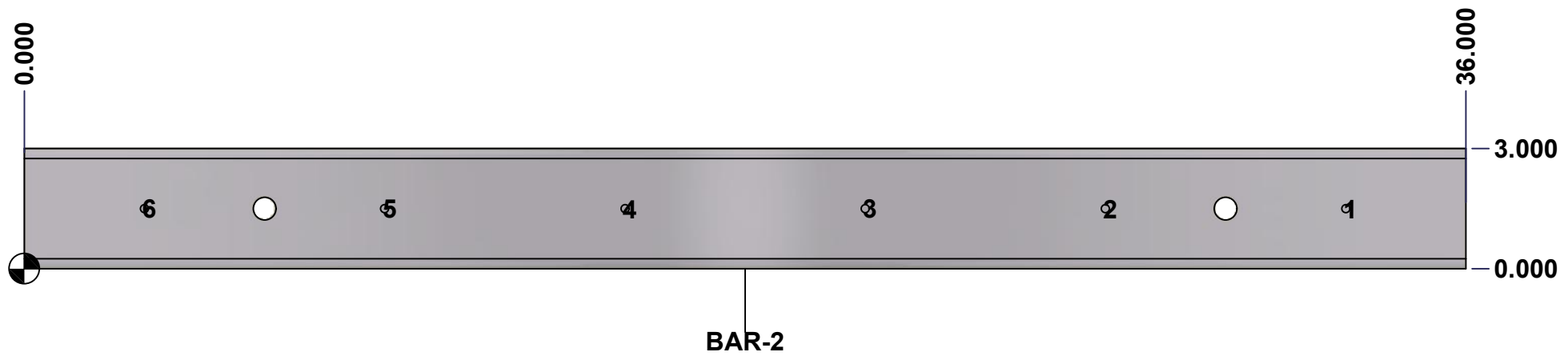
This drawing is confidential and must not be reproduced or used without the consent of Eurobex

Ce dessin est confidentiel et ne doit pas être reproduit ou utilisé sans le consentement de Eurobex

STANDARD FEATURES ARE NOT LISTED IN THIS HOLE TABLE

HOLE TABLE - FRONT VIEW (CUSTOM FEATURE ONLY)

CUT-OUT	XDIM	YDIM	DESCRIPTION
1	33.000	1.500	RND Ø0.201 THREAD 1/4-20 UNC
2	27.000	1.500	RND Ø0.201 THREAD 1/4-20 UNC
3	21.000	1.500	RND Ø0.201 THREAD 1/4-20 UNC
4	15.000	1.500	RND Ø0.201 THREAD 1/4-20 UNC
5	9.000	1.500	RND Ø0.201 THREAD 1/4-20 UNC
6	3.000	1.500	RND Ø0.201 THREAD 1/4-20 UNC

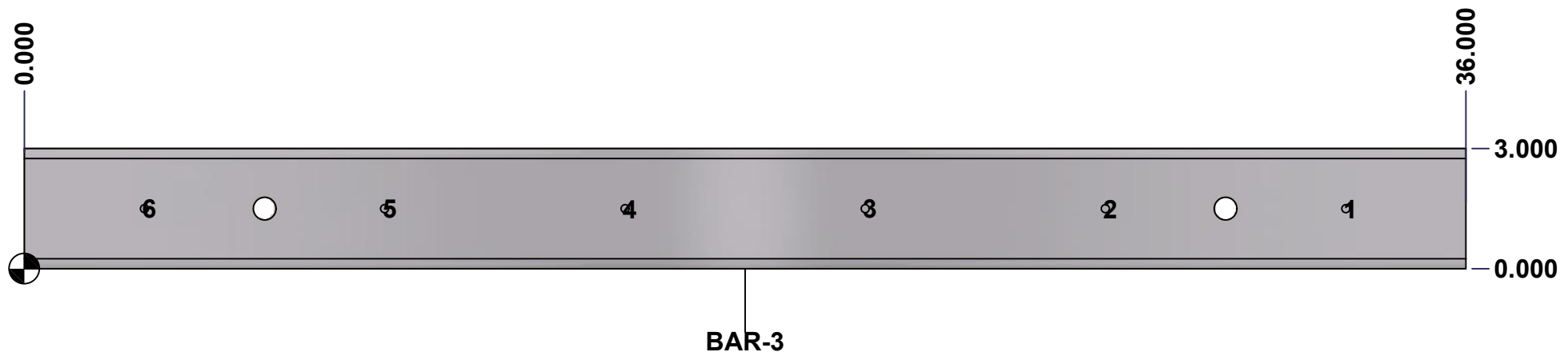


	Description	Status
	Rounded Edge Aluminum Bar 1/2" x 3"	(NULL)
	Part Number Numéro Pièce	Rev.
	1412BT04804DTBAR2-P	0 / 8
		15

This drawing is confidential and must not be reproduced or used without the consent of Eurobex

Ce dessin est confidentiel et ne doit pas être reproduit ou utilisé sans le consentement de Eurobex

STANDARD FEATURES ARE NOT LISTED IN THIS HOLE TABLE			
HOLE TABLE - FRONT VIEW (CUSTOM FEATURE ONLY)			
CUT-OUT	XDIM	YDIM	DESCRIPTION
1	33.000	1.500	RND Ø0.201 THREAD 1/4-20 UNC
2	27.000	1.500	RND Ø0.201 THREAD 1/4-20 UNC
3	21.000	1.500	RND Ø0.201 THREAD 1/4-20 UNC
4	15.000	1.500	RND Ø0.201 THREAD 1/4-20 UNC
5	9.000	1.500	RND Ø0.201 THREAD 1/4-20 UNC
6	3.000	1.500	RND Ø0.201 THREAD 1/4-20 UNC



	Description	Status
	Rounded Edge Aluminum Bar 1/2" x 3"	(NULL)
	Part Number Numéro Pièce	Rev.
	1412BT04804DTBAR3-P	0 / 9
		15

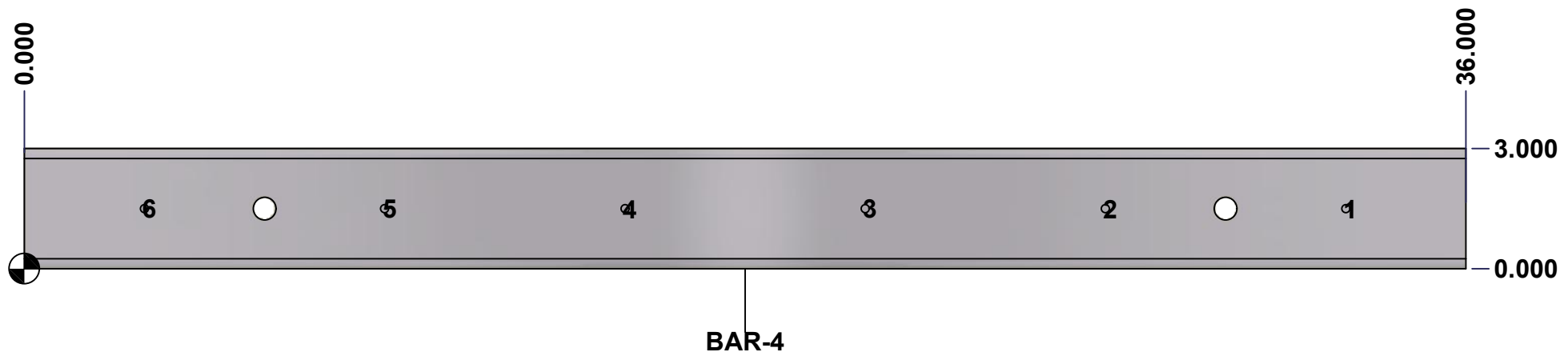
This drawing is confidential and must not be reproduced or used without the consent of Eurobex

Ce dessin est confidentiel et ne doit pas être reproduit ou utilisé sans le consentement de Eurobex

STANDARD FEATURES ARE NOT LISTED IN THIS HOLE TABLE

HOLE TABLE - FRONT VIEW (CUSTOM FEATURE ONLY)

CUT-OUT	XDIM	YDIM	DESCRIPTION
1	33.000	1.500	RND Ø0.201 THREAD 1/4-20 UNC
2	27.000	1.500	RND Ø0.201 THREAD 1/4-20 UNC
3	21.000	1.500	RND Ø0.201 THREAD 1/4-20 UNC
4	15.000	1.500	RND Ø0.201 THREAD 1/4-20 UNC
5	9.000	1.500	RND Ø0.201 THREAD 1/4-20 UNC
6	3.000	1.500	RND Ø0.201 THREAD 1/4-20 UNC



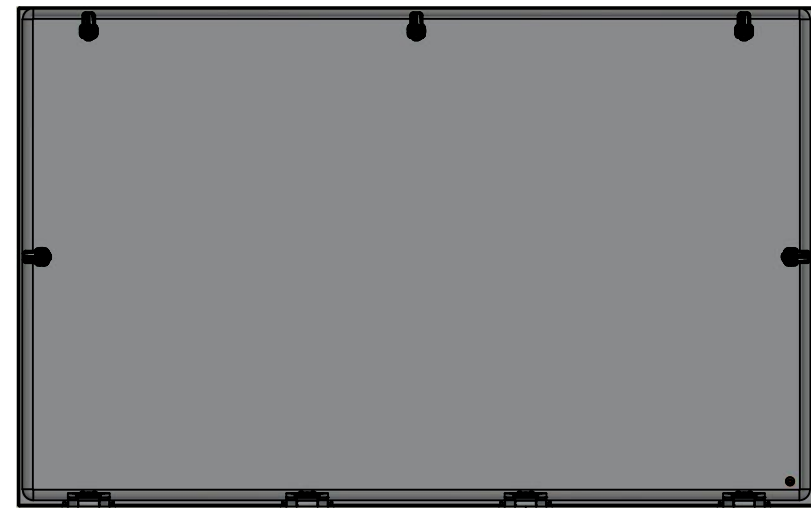
	Description		Status	
	Rounded Edge Aluminum Bar 1/2" x 3"		(NULL)	
Part Number Numéro Pièce		Rev.	10	15
1412BT04804DTBAR4-P		0		

This drawing is confidential and must not be reproduced or used without the consent of EXM

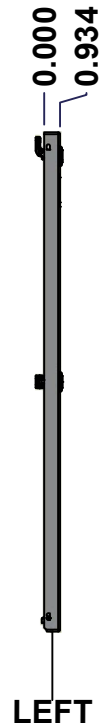
Ce dessin est confidentiel et ne doit pas être reproduit ou utilisé sans le consentement de EXM



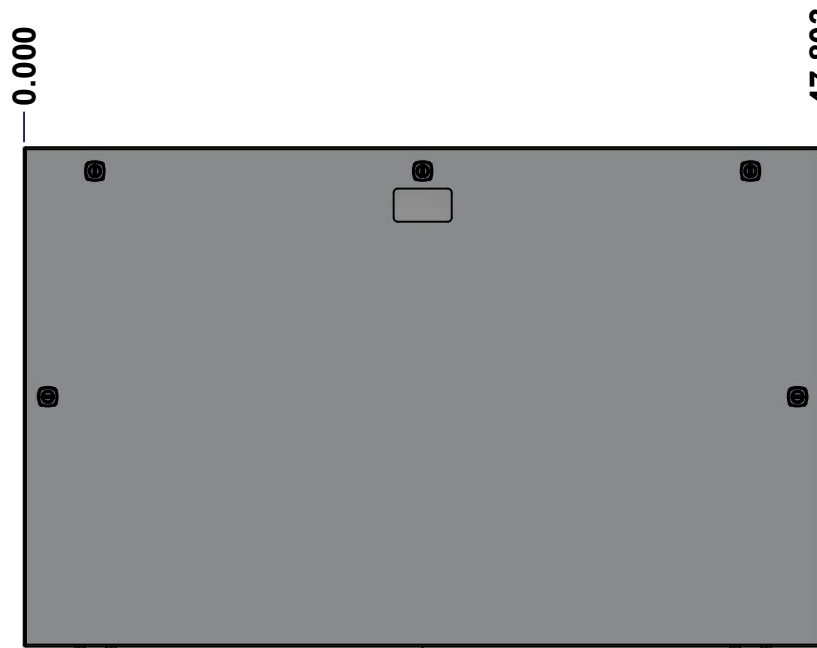
TOP



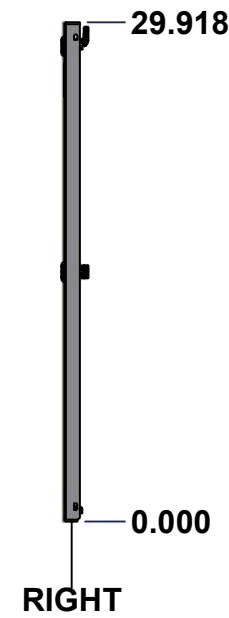
BACK



LEFT



FRONT

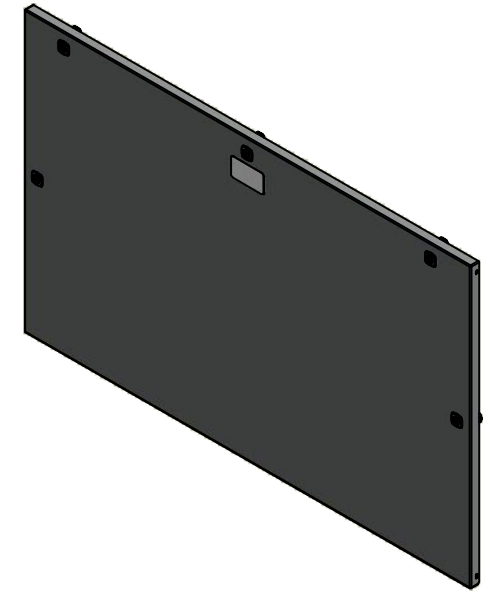


RIGHT



BOTTOM

No.	Revisions	Date	By/Par



Isometric View

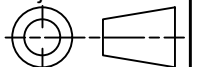


Tél: (450) 979-4373
 Fax: (450) 979-4626
www.exmweb.com

Flatness
Aplatissement

Max 3.0mm

Projection



Customer Client	Date
Drawn By / Dessiné Par: BoxCad: BoxCad	Date: 10/3/2022
Material / Matière: 14 Ga Cold Rolled A1008 CS Type B (1.7mm)	
Color / Couleur: Asa-61 Grey	Finish / Fini: Smooth
Description: 1412BT 30" x 48" Cover	Detail Rev.
Part Number / Numéro Pièce: 1412BT04804DTC	Rev. 0

SEE BILL OF MATERIAL ON LAST PAGE

This drawing is confidential and must not be reproduced or used without the consent of Eurobox

Ce dessin est confidentiel et ne doit pas être reproduit ou utilisé sans le consentement de Eurobox

STANDARD FEATURES ARE NOT LISTED IN THIS HOLE TABLE

HOLE TABLE - FRONT VIEW (CUSTOM FEATURE ONLY)

CUT-OUT	XDIM	YDIM	DESCRIPTION
1	1.500	1.486	GND STUD M6 x 16mm (Inside)
2	46.379	14.959	LOCK 880 SCQ4-SL @ 0.0°
3	1.424	14.959	LOCK 880 SCQ4-SL @ 180.0°
4	43.553	28.494	LOCK 880 SCQ4-SL @ 90.0°
5	23.902	28.494	LOCK 880 SCQ4-SL @ 90.0°
6	4.250	28.494	LOCK 880 SCQ4-SL @ 90.0°



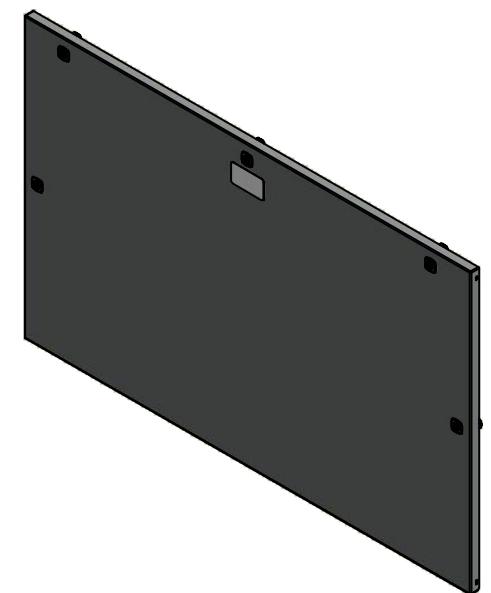
FRONT

	Description	Status	
	1412BT 30" x 48" Cover	(NULL)	
	Part Number Numéro Pièce	Rev.	
	1412BT04804DTC	0	12 / 15

This drawing is confidential and must not be reproduced or used without the consent of EXM

Ce dessin est confidentiel et ne doit pas être reproduit ou utilisé sans le consentement de EXM

No.	Revisions	Date	By/Par



Isometric View



Tél: (450) 979-4373
 Fax: (450) 979-4626
www.exmweb.com

Flatness
Aplatissement
Max 3.0mm
Projection

Customer Client	Date
Drawn By / Dessiné Par: BoxCad: BoxCad	Date: 10/3/2022
Material / Matière: 14 Ga Cold Rolled A1008 CS Type B (1.7mm)	

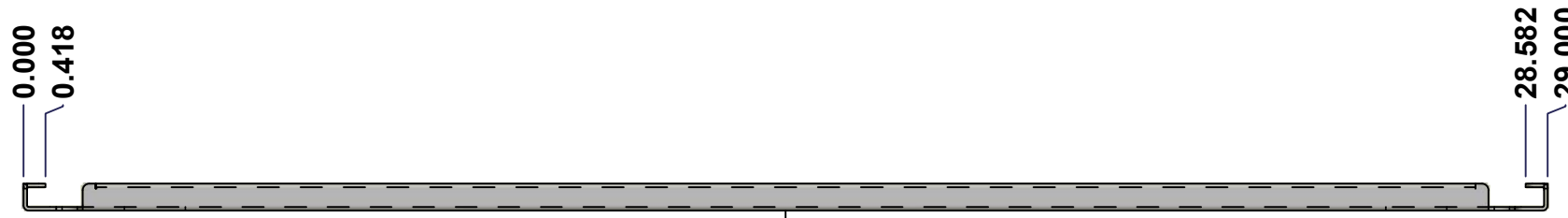
Color / Couleur: Asa-61 Grey	Finish / Fini: Smooth
Description: 1412BT 30" x 48" Cover	
Detail Rev.	

Qty	Part Name	Rev	Description
1	1412BT04804DTG	0	1412BT 30" x 48" Cover Gasket
1	STK-P-02400S	0	Powder Paint (Asa-61 Grey / Smooth)
4	STK-K-09800	10	5412 ES Hinge with 2 Captive Hinge Pins
1	STK-Q-16080	0	Ground Stud M6 x 16mm
1	STK-S-00100	0	3.5" x 2" Silver Milar Flexcon Sticker
1	1412BT04804DTC-P	0	1412BT 30" x 48" Cover Part
5	880 SCQ4-SL	6	5412 ES 1/4 Turn Lock
Parts List			

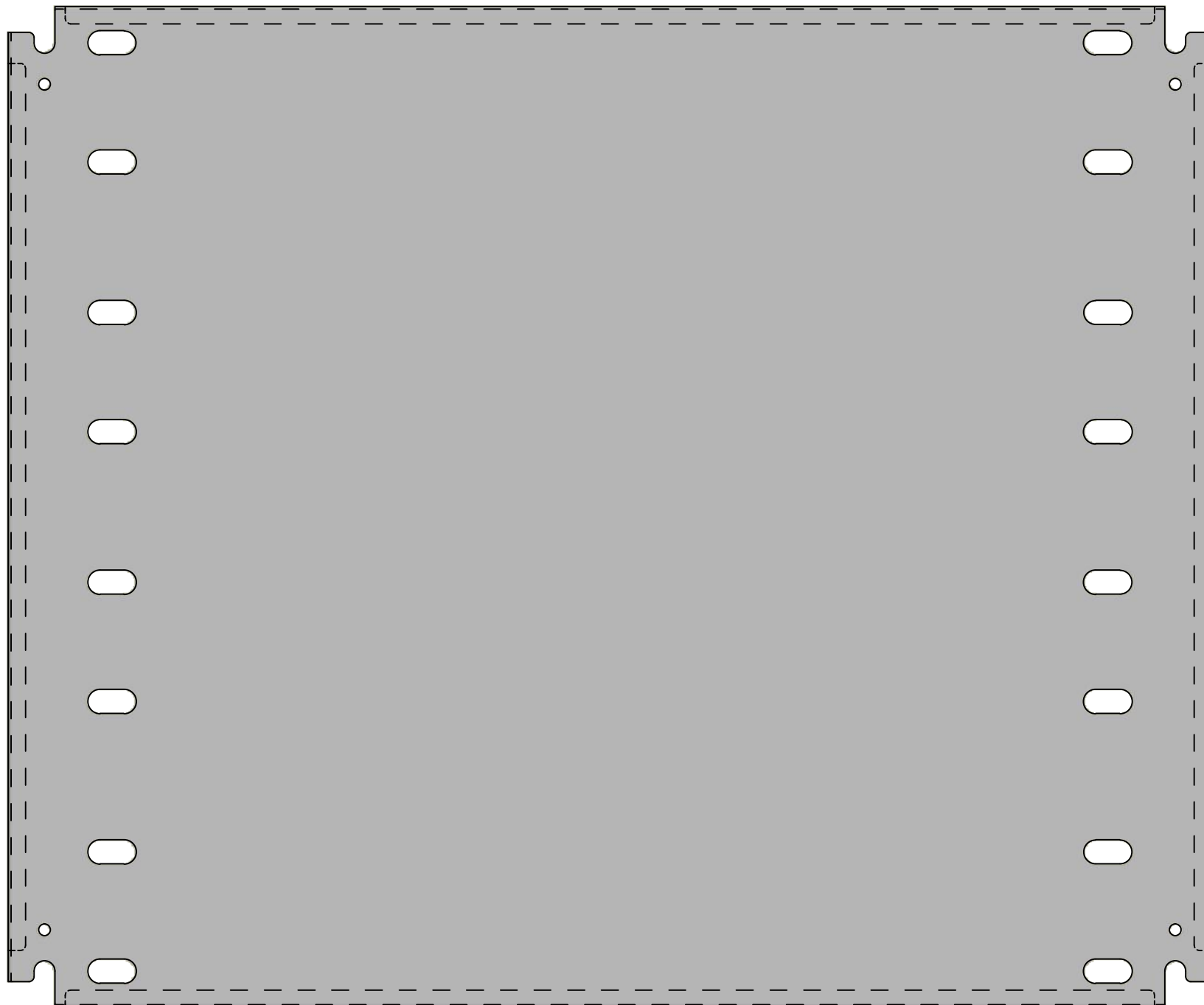
Part Number / Numéro Pièce: 1412BT04804DTC	Rev. 0	13 / 15
---	---------------	---------

This drawing is confidential and must not be reproduced or used without the consent of EXM

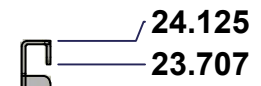
Ce dessin est confidentiel et ne doit pas être reproduit ou utilisé sans le consentement de EXM



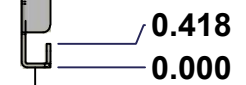
TOP



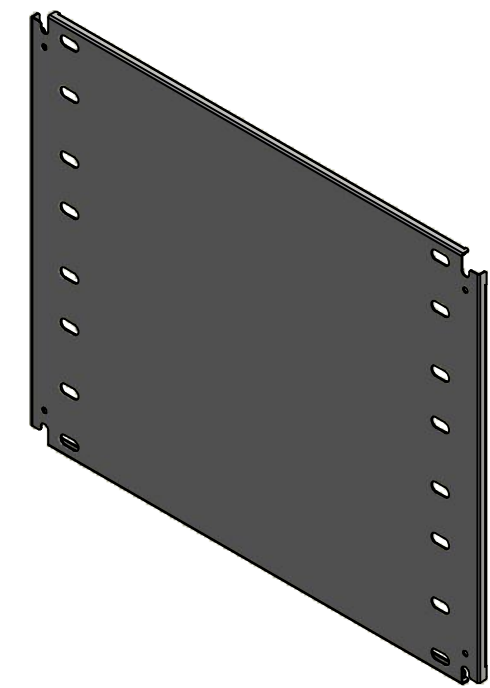
FRONT



RIGHT



No.	Revisions	Date	By/Par



Isometric View



Tél: (450) 979-4373
 Fax: (450) 979-4626
www.exmweb.com

Flatness
Aplatissement
Max 3.0mm
Projection

Customer Client	Date
Drawn By / Dessiné Par: BoxCad: BoxCad	Date: 10/3/2022
Material / Matière: 14 Ga Cold Rolled A1008 CS Type B (1.7mm)	

Color / Couleur: White RAL9003	Finish / Fini: Smooth
--------------------------------	-----------------------

Description: 1412BT 24.125" x 29" Inner Panel	Detail Rev.
---	-------------

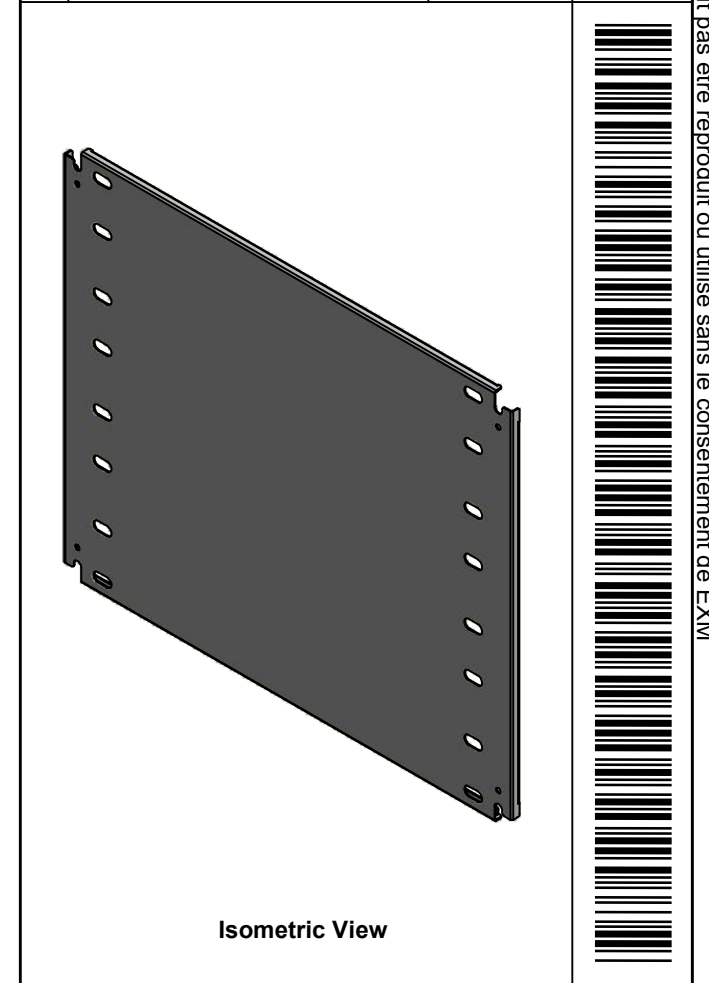
Part Number / Numéro Pièce: 1412BT04804DTIP1	Rev. 0	14	15
--	--------	----	----


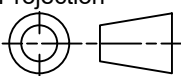
SEE BILL OF MATERIAL ON LAST PAGE

This drawing is confidential and must not be reproduced or used without the consent of EXM

Ce dessin est confidentiel et ne doit pas être reproduit ou utilisé sans le consentement de EXM

No.	Revisions	Date	By/Par



 Tél: (450) 979-4373 Fax: (450) 979-4626 www.exmweb.com		Flatness Aplatissement Max 3.0mm
Customer Client		Projection 
Drawn By / Dessiné Par: BoxCad: BoxCad		Date: 10/3/2022
Material / Matière: 14 Ga Cold Rolled A1008 CS Type B (1.7mm)		
Color / Couleur: White RAL9003	Finish / Fini: Smooth	
Description: 1412BT 24.125" x 29" Inner Panel		Detail Rev.
Part Number / Numéro Pièce: 1412BT04804DTIP1		Rev. 15 0

Qty	Part Number	Rev	Description
1	STK-P-02401S	0	Powder Paint (White / Smooth)
1	1412BT04804DTIP1-P	0	1412BT 24.125" x 48" Inner Panel Part
Parts List			