

This drawing is confidential and must not be reproduced or used without the consent of EXM

Ce dessin est confidentiel et ne doit pas être reproduit ou utilisé sans le consentement de EXM



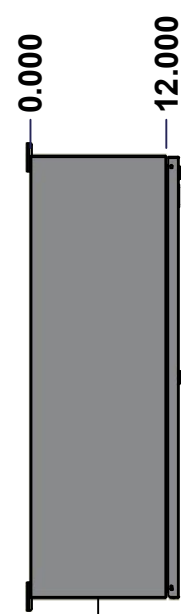
TOP



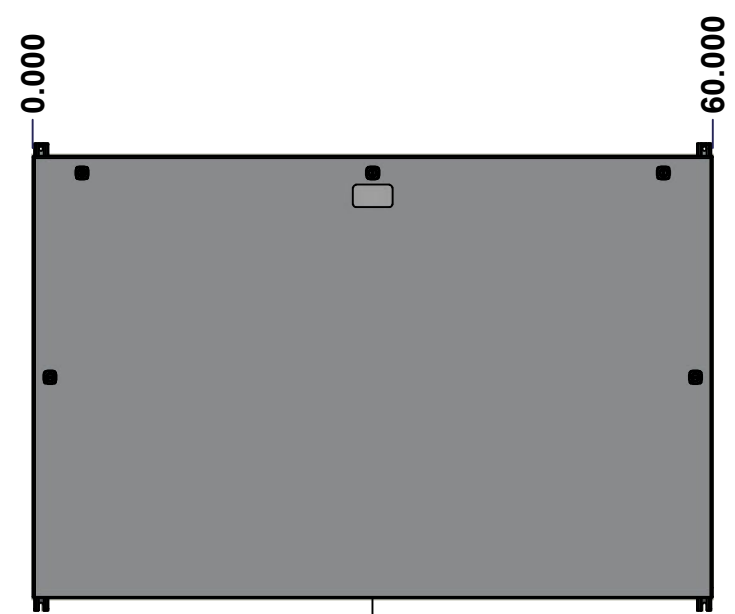
BACK



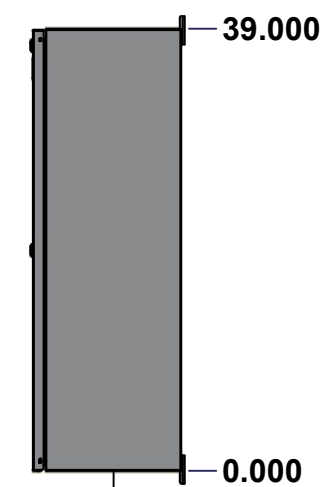
BOTTOM



LEFT

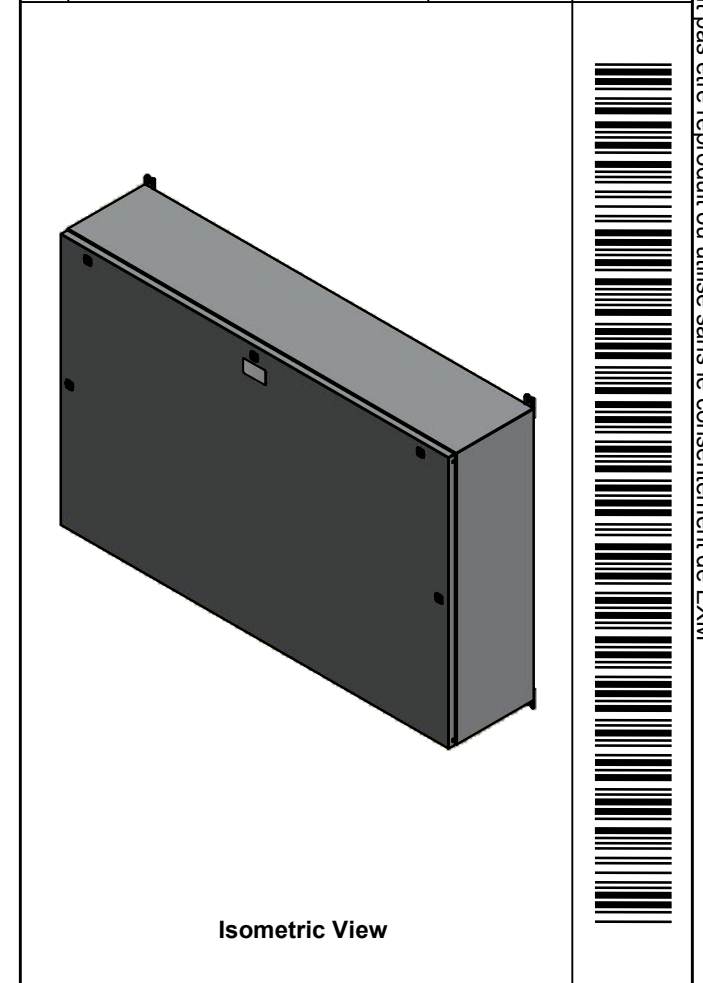


FRONT


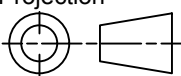


RIGHT

| No. | Revisions | Date | By/Par |
|-----|-----------|------|--------|
| | | | |
| | | | |
| | | | |
| | | | |
| | | | |



Isometric View

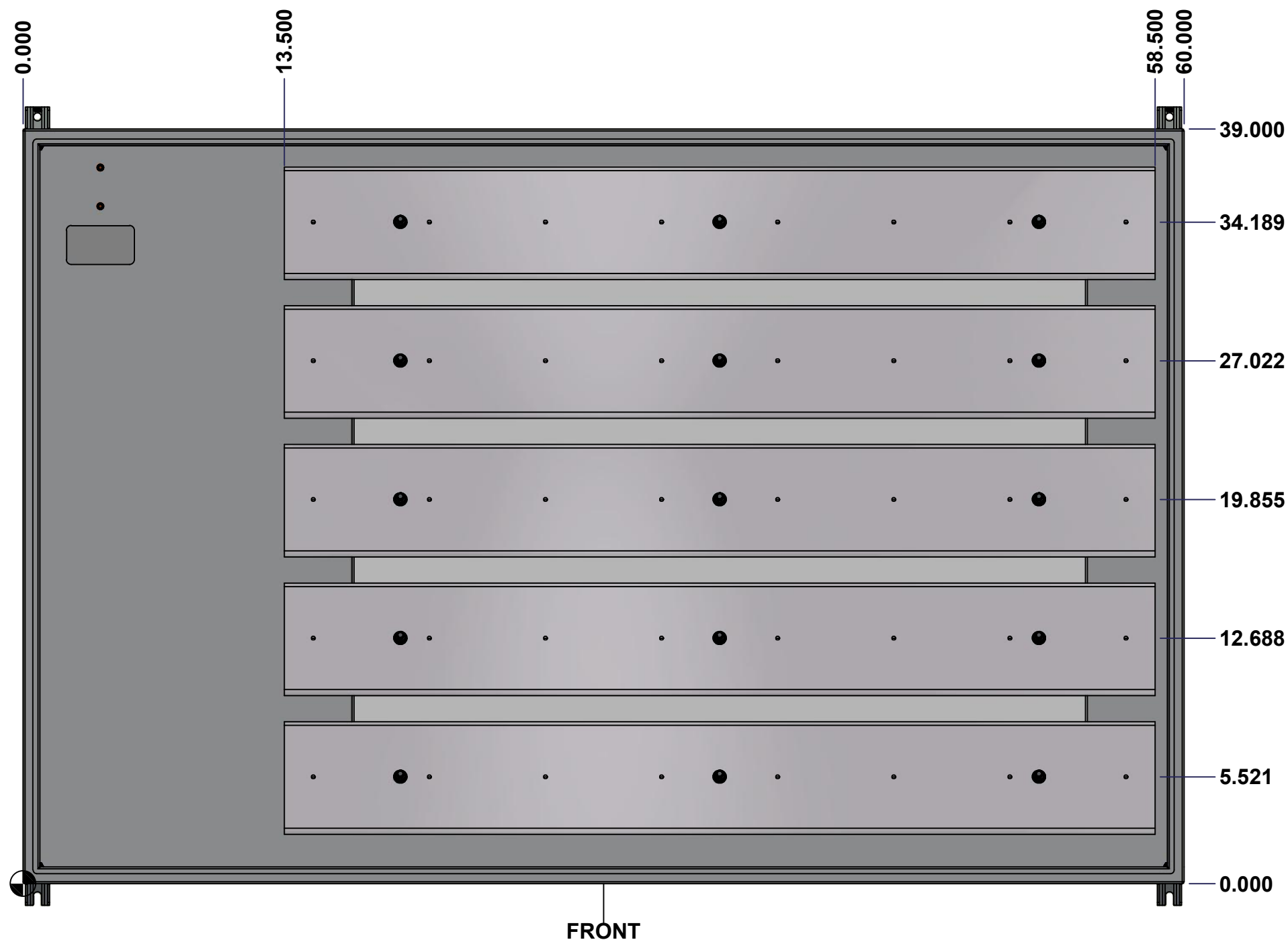
| | | |
|--|-----------------------|---|
|  Tél: (450) 979-4373 Fax: (450) 979-4626 www.exmweb.com | | Flatness Aplatissement Max 3.0mm Projection  |
| Customer Client | Date | |
| Drawn By / Dessiné Par: BoxCad: BoxCad | Date: 04-Oct-22 | |
| Material / Matière: 14 Ga Cold Rolled A1008 CS Type B (1.7mm) | | |
| Color / Couleur: Asa-61 Grey | Finish / Fini: Smooth | |
| Description: 1412BT 1600A - 5Wires x 60" Assembly | | Detail Rev. |
| Part Number / Numéro Pièce: 1412BT051605DT | Rev.: 0 | 1 / 16 |

SEE BILL OF MATERIAL ON LAST PAGE

This drawing is confidential and must not be reproduced or used without the consent of Eurobox

STANDARD FEATURES ARE NOT LISTED IN THIS HOLE TABLE

Ce dessin est confidentiel et ne doit pas être reproduit ou utilisé sans le consentement de Eurobox



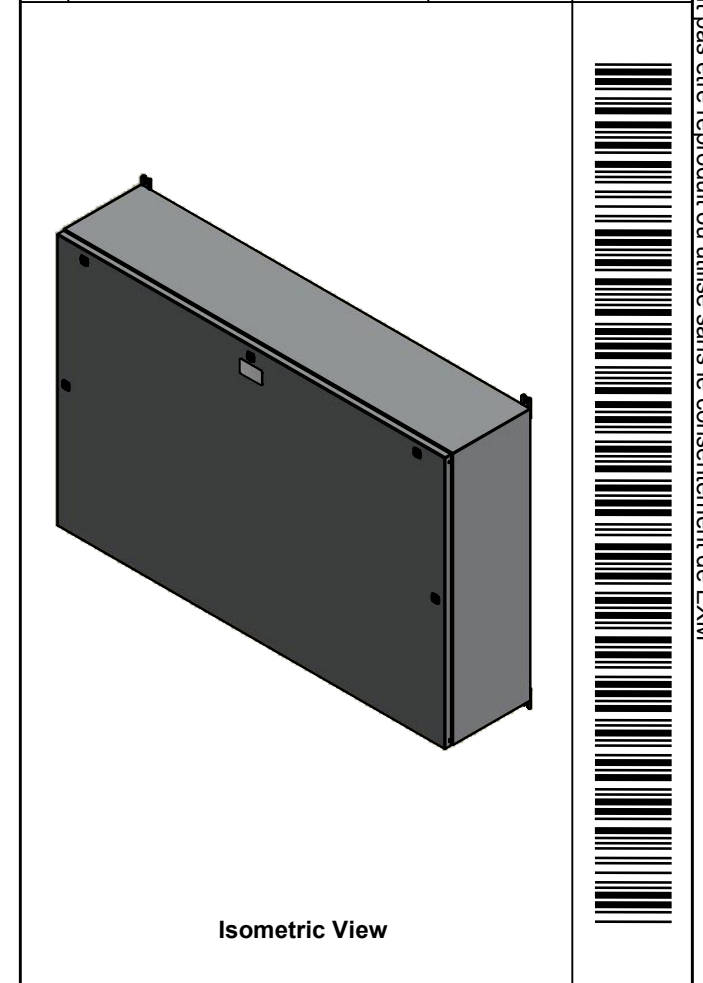
| | | |
|--|--|--------------------|
| | Description 1412BT 1600A - 5Wires x 60" Assembly | Status (NULL) |
| | Part Number Numéro Pièce 1412BT051605DT | Rev. 2 0 |

This drawing is confidential and must not be reproduced or used without the consent of EXM

Ce dessin est confidentiel et ne doit pas être reproduit ou utilisé sans le consentement de EXM

| NOTE | |
|------|--|
| ITEM | DESCRIPTION |
| 1 | NEMA 4/12 Enclosure |
| 2 | C/W Standard ground studs on box and cover |
| 3 | W/O Standard door stiffener |
| 4 | C/W Special inner panel (Sold separately) |
| 5 | C/W Standard inner panel mounting studs |

| No. | Revisions | Date | By/Par |
|-----|-----------|------|--------|
| | | | |
| | | | |
| | | | |
| | | | |
| | | | |
| | | | |



| PACKING | | |
|-----------------------|-----|--|
| ITEM | QTY | DESCRIPTION |
| Cardboard sleeve | 2 | Top and Bottom |
| Cardboard strip | 2 | Between back of enclosure and inner panel |
| Plastic bag | 1 | To protect cover surface and inside gasket |
| Cardboard corner | 4 | To reinforced for the plastic strap tightening |
| Plastic strap - Black | 2 | To Squeeze 2 cardboard sleeve together |
| Packaging label | 3 | White label with PN |
| Plastic strap- Green | 2 | To secure the enclosure to the wood pallet |
| Wood Pallet | 1 | 2" deeper and 3" larger than enclosure size |

| | | | |
|------------|----------------------|-----|--|
| 1 | 885 ESMF1 | 0 | 885 ESMF1 Mounting Feet Kit |
| 1 | 1412BT051605DTBAR4-P | 0 | Rounded Edge Aluminum Bar 1/2" x 6" |
| 1 | 1412BT051605DTBAR1-P | 0 | Rounded Edge Aluminum Bar 1/2" x 6" |
| 1 | 1412BT051605DTBAR2-P | 0 | Rounded Edge Aluminum Bar 1/2" x 6" |
| 1 | 1412BT051605DTBAR3-P | 0 | Rounded Edge Aluminum Bar 1/2" x 6" |
| 1 | 1412BT051605DTBAR5-P | 0 | Rounded Edge Aluminum Bar 1/2" x 6" |
| 1 | 1412BT051605DTIP1 | 0 | 1412BT 33.293" x 38" Inner Panel |
| 15 | STK-A-67400 | 0 | Buss Bar Insulator Kit |
| 1 | STK-K-01800 | 5 | 5412 ES Accessory Kit |
| 4 | STK-Q-04050-07 | 7 | M6 x 7mm Hexagon Socket Head Machine Screw with Nyseal |
| 21 | STK-Q-07310 | 2 | Flange Lock Nut M8 |
| 6 | STK-Q-07610 | 8 | M8 Plastic Spacer 22.2mm |
| 1 | 1412BT051605DTB | 0 | 1412BT 39" x 60" x 12" Body |
| 1 | 1412BT051605DTC | 0 | 1412BT 39" x 60" Cover |
| Qty | Part Number | Rev | Description |
| Parts List | | | |

Tél: (450) 979-4373
Fax: (450) 979-4626
www.exmweb.com

Flatness
Aplatissement
Max 3.0mm

Projection

| | |
|---|-----------------------|
| Customer Client | Date |
| Drawn By Dessiné Par BoxCad: BoxCad | Date 04-Oct-22 |
| Material Matière 14 Ga Cold Rolled A1008 CS Type B (1.7mm) | |
| Color Couleur Asa-61 Grey | Finish Fini Smooth |
| Description 1412BT 1600A - 5Wires x 60" Assembly | Detail Rev. |
| Part Number Numéro Pièce 1412BT051605DT | Rev. 0 |

This drawing is confidential and must not be reproduced or used without the consent of EXM

Ce dessin est confidentiel et ne doit pas être reproduit ou utilisé sans le consentement de EXM



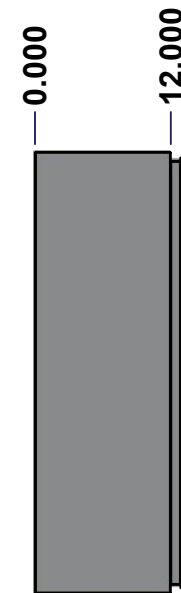
TOP



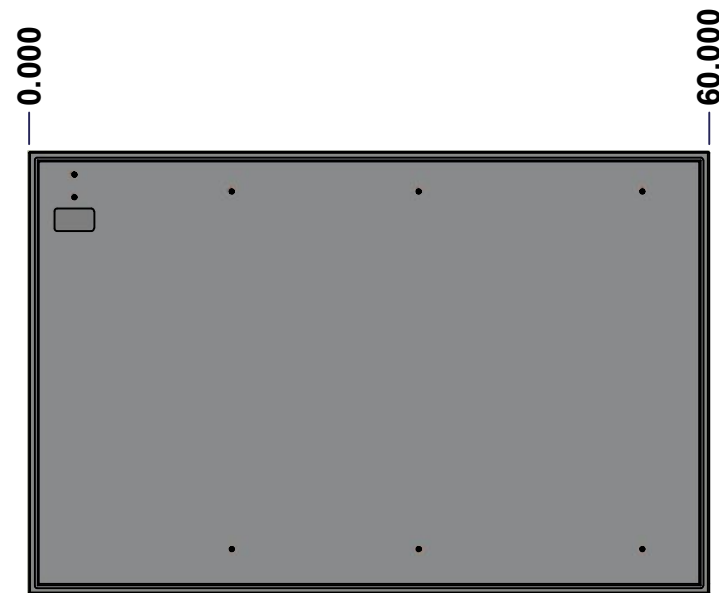
BACK



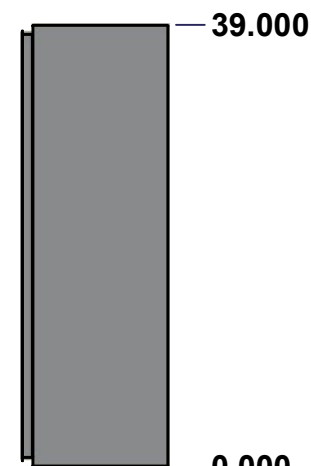
BOTTOM



LEFT

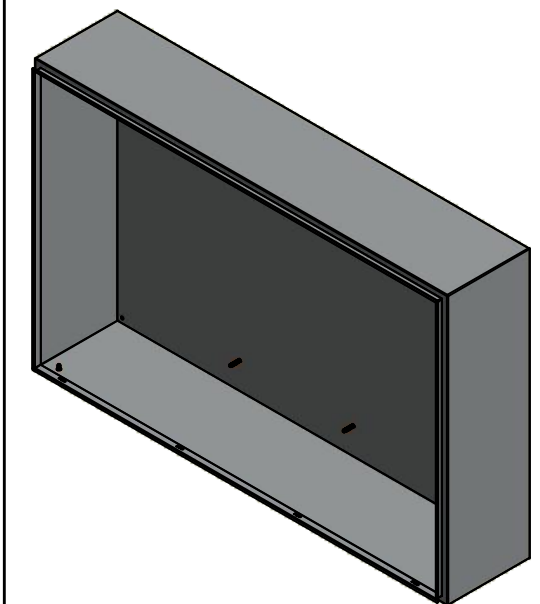


FRONT




RIGHT

| No. | Revisions | Date | By/Par |
|-----|-----------|------|--------|
| | | | |
| | | | |
| | | | |
| | | | |
| | | | |



Isometric View




 Tél: (450) 979-4373
 Fax: (450) 979-4626
www.exmweb.com

Flatness / Aplatissement: Max 3.0mm
 Projection: 

| | |
|---|-----------------------|
| Customer / Client | Date |
| Drawn By / Dessiné Par: BoxCad: BoxCad | Date: 04-Oct-22 |
| Material / Matière: 14 Ga Cold Rolled A1008 CS Type B (1.7mm) | |
| Color / Couleur: Asa-61 Grey | Finish / Fini: Smooth |

| | |
|--|-------------|
| Description: 1412BT 39" x 60" x 12" Body | Detail Rev. |
|--|-------------|

| | | |
|--|---------------|---|
| Part Number / Numéro Pièce: 1412BT051605DTB | Rev. 0 | 4 |
|--|---------------|---|

SEE BILL OF MATERIAL ON LAST PAGE

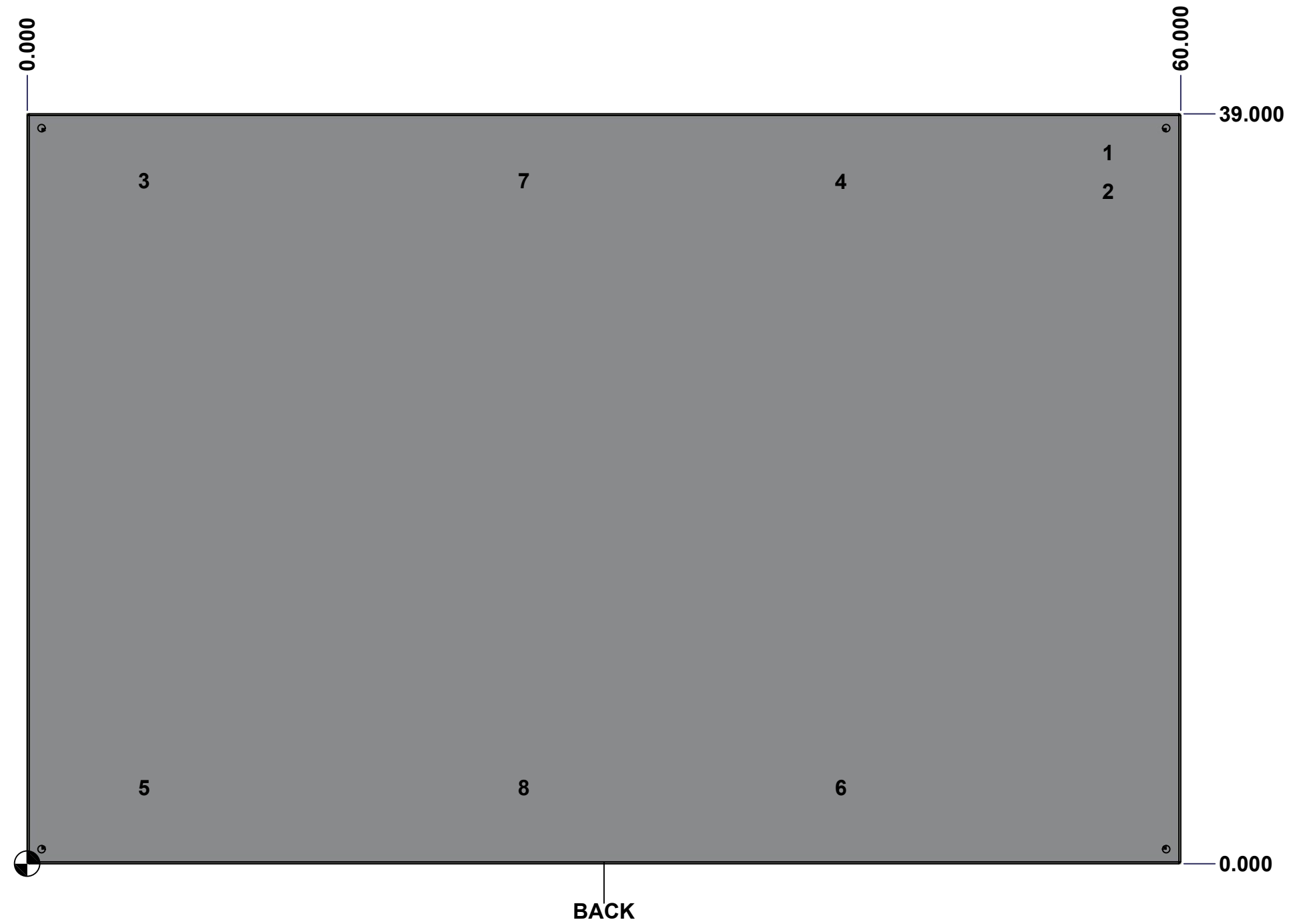
This drawing is confidential and must not be reproduced or used without the consent of Eurobox

Ce dessin est confidentiel et ne doit pas être reproduit ou utilisé sans le consentement de Eurobox

STANDARD FEATURES ARE NOT LISTED IN THIS HOLE TABLE

HOLE TABLE - BACK VIEW (CUSTOM FEATURE ONLY)

| CUT-OUT | XDIM | YDIM | DESCRIPTION |
|---------|--------|--------|-----------------------------|
| 1 | 56.000 | 37.000 | GND STUD M8 x 35mm (Inside) |
| 2 | 56.000 | 35.000 | GND STUD M8 x 35mm (Inside) |
| 3 | 5.875 | 35.500 | IP STUD M8 x 35mm (Inside) |
| 4 | 42.125 | 35.500 | IP STUD M8 x 35mm (Inside) |
| 5 | 5.875 | 3.957 | IP STUD M8 x 35mm (Inside) |
| 6 | 42.125 | 3.957 | IP STUD M8 x 35mm (Inside) |
| 7 | 25.625 | 35.500 | IP STUD M8 x 35mm (Inside) |
| 8 | 25.625 | 3.957 | IP STUD M8 x 35mm (Inside) |

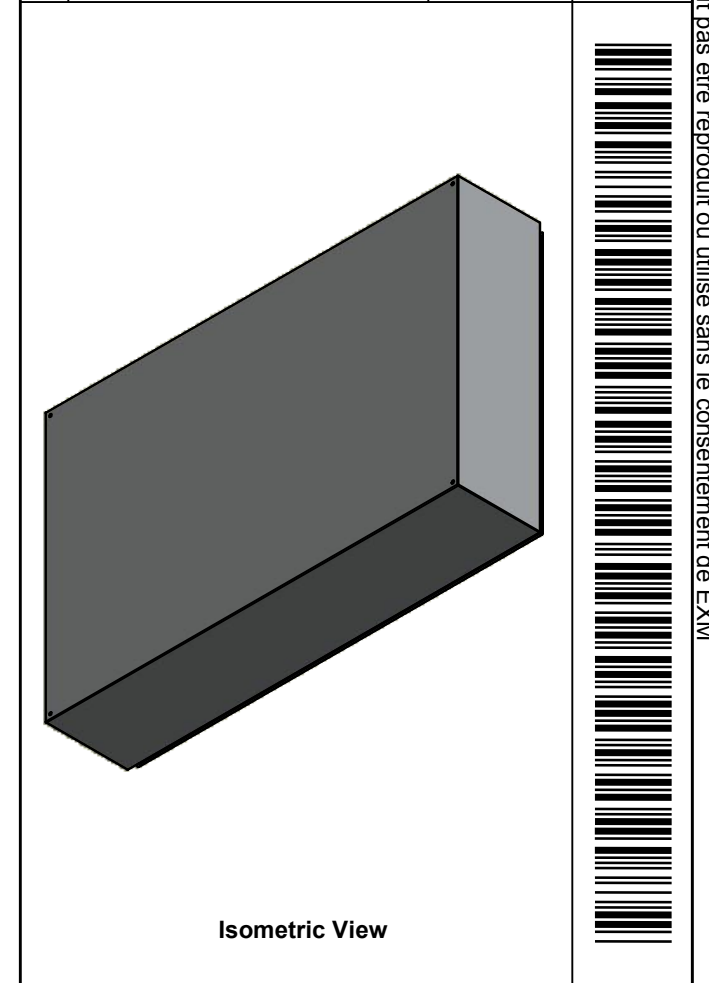



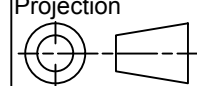
| | | |
|--|---|--------------------|
| | Description 1412BT 39" x 60" x 12" Body | Status (NULL) |
| | Part Number Numéro Pièce 1412BT051605DTB | Rev. 5 0 |

This drawing is confidential and must not be reproduced or used without the consent of EXM

Ce dessin est confidentiel et ne doit pas être reproduit ou utilisé sans le consentement de EXM

| No. | Revisions | Date | By/Par |
|-----|-----------|------|--------|
| | | | |
| | | | |
| | | | |
| | | | |
| | | | |



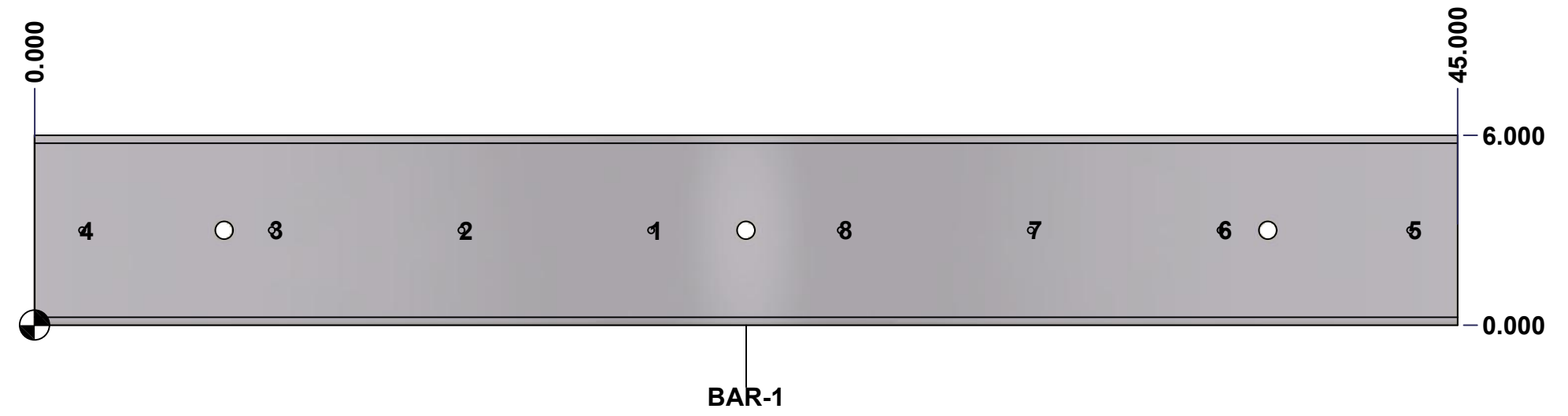
| | | |
|--|-------------|---|
|  Tél: (450) 979-4373 Fax: (450) 979-4626 www.exmweb.com | | Flatness Aplatissement Max 3.0mm |
| Customer Client | | Projection  |
| Drawn By Dessiné Par BoxCad: BoxCad | | Date 04-Oct-22 |
| Material Matière 14 Ga Cold Rolled A1008 CS Type B (1.7mm) | | |
| Color Couleur | Asa-61 Grey | Finish Fini Smooth |
| Description 1412BT 39" x 60" x 12" Body | | Detail Rev. |
| Part Number Numéro Pièce 1412BT051605DTB | | Rev. 6 0 |

| Qty | Part Number | Rev | Description |
|------------|-------------------|-----|--|
| 1 | STK-P-02400S | 0 | Powder Paint (Asa-61 Grey / Smooth) |
| 8 | STK-Q-16005 | 1 | Stud M8 x 35 (No Paint Cap Required) |
| 1 | STK-Q-16080 | 0 | Ground Stud M6 x 16mm |
| 1 | STK-S-00100 | 0 | 3.5" x 2" Silver Milar Flexcon Sticker |
| 1 | 1412BT051605DTB-P | 0 | 1412BT 39" x 60" x 12" Body Part |
| Parts List | | | |

This drawing is confidential and must not be reproduced or used without the consent of Eurobox

Ce dessin est confidentiel et ne doit pas être reproduit ou utilisé sans le consentement de Eurobox

| STANDARD FEATURES ARE NOT LISTED IN THIS HOLE TABLE | | | |
|---|--------|-------|------------------------------|
| HOLE TABLE - FRONT VIEW (CUSTOM FEATURE ONLY) | | | |
| CUT-OUT | XDIM | YDIM | DESCRIPTION |
| 1 | 19.500 | 3.000 | RND Ø0.201 THREAD 1/4-20 UNC |
| 2 | 13.500 | 3.000 | RND Ø0.201 THREAD 1/4-20 UNC |
| 3 | 7.500 | 3.000 | RND Ø0.201 THREAD 1/4-20 UNC |
| 4 | 1.500 | 3.000 | RND Ø0.201 THREAD 1/4-20 UNC |
| 5 | 43.500 | 3.000 | RND Ø0.201 THREAD 1/4-20 UNC |
| 6 | 37.500 | 3.000 | RND Ø0.201 THREAD 1/4-20 UNC |
| 7 | 31.500 | 3.000 | RND Ø0.201 THREAD 1/4-20 UNC |
| 8 | 25.500 | 3.000 | RND Ø0.201 THREAD 1/4-20 UNC |

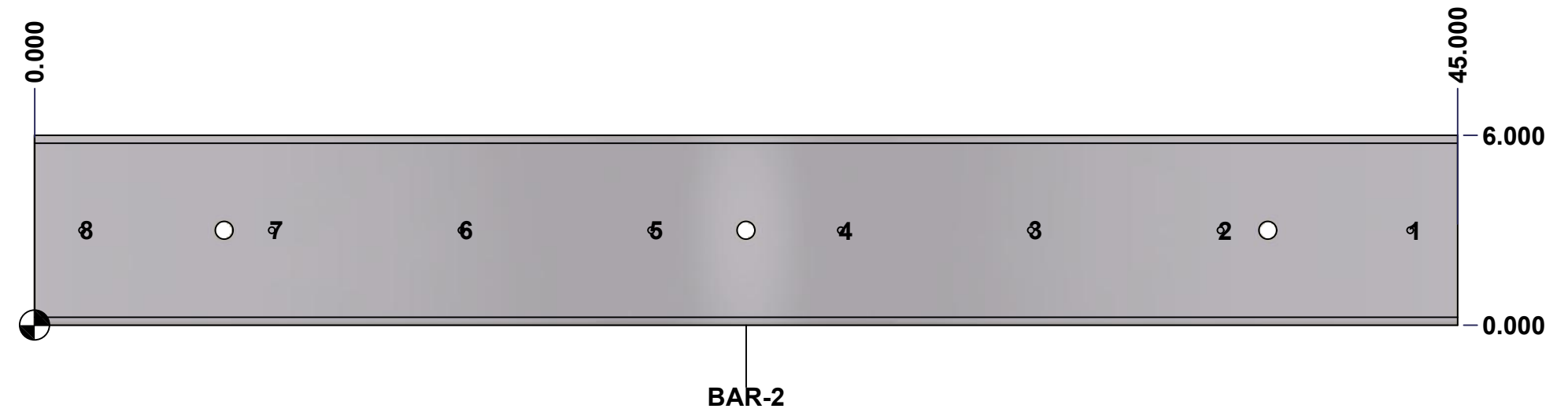


| | | |
|--|-------------------------------------|--------------|
| | Description | Status |
| | Rounded Edge Aluminum Bar 1/2" x 6" | (NULL) |
| | Part Number Numéro Pièce | Rev. |
| | 1412BT051605DTBAR1-P | 0 / 7 |
| | | 16 |

This drawing is confidential and must not be reproduced or used without the consent of Eurobox

Ce dessin est confidentiel et ne doit pas être reproduit ou utilisé sans le consentement de Eurobox

| STANDARD FEATURES ARE NOT LISTED IN THIS HOLE TABLE | | | |
|---|--------|-------|------------------------------|
| HOLE TABLE - FRONT VIEW (CUSTOM FEATURE ONLY) | | | |
| CUT-OUT | XDIM | YDIM | DESCRIPTION |
| 1 | 43.500 | 3.000 | RND Ø0.201 THREAD 1/4-20 UNC |
| 2 | 37.500 | 3.000 | RND Ø0.201 THREAD 1/4-20 UNC |
| 3 | 31.500 | 3.000 | RND Ø0.201 THREAD 1/4-20 UNC |
| 4 | 25.500 | 3.000 | RND Ø0.201 THREAD 1/4-20 UNC |
| 5 | 19.500 | 3.000 | RND Ø0.201 THREAD 1/4-20 UNC |
| 6 | 13.500 | 3.000 | RND Ø0.201 THREAD 1/4-20 UNC |
| 7 | 7.500 | 3.000 | RND Ø0.201 THREAD 1/4-20 UNC |
| 8 | 1.500 | 3.000 | RND Ø0.201 THREAD 1/4-20 UNC |



| | | |
|--|-------------------------------------|--------------|
| | Description | Status |
| | Rounded Edge Aluminum Bar 1/2" x 6" | (NULL) |
| | Part Number Numéro Pièce | Rev. |
| | 1412BT051605DTBAR2-P | 0 / 8 |
| | | 16 |

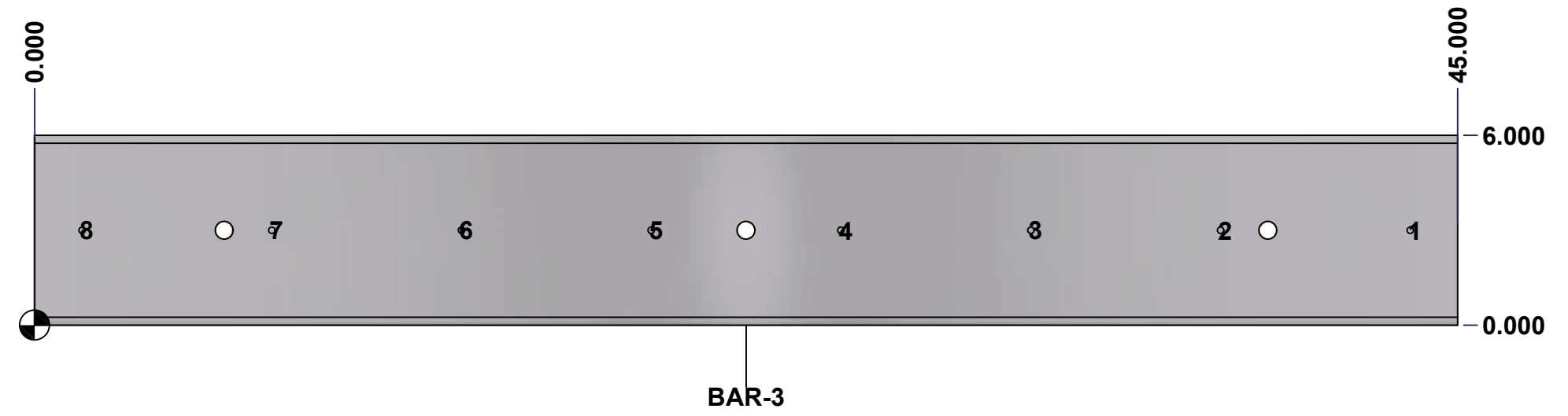
This drawing is confidential and must not be reproduced or used without the consent of Eurobox

Ce dessin est confidentiel et ne doit pas être reproduit ou utilisé sans le consentement de Eurobox

STANDARD FEATURES ARE NOT LISTED IN THIS HOLE TABLE

HOLE TABLE - FRONT VIEW (CUSTOM FEATURE ONLY)

| CUT-OUT | XDIM | YDIM | DESCRIPTION |
|---------|--------|-------|------------------------------|
| 1 | 43.500 | 3.000 | RND Ø0.201 THREAD 1/4-20 UNC |
| 2 | 37.500 | 3.000 | RND Ø0.201 THREAD 1/4-20 UNC |
| 3 | 31.500 | 3.000 | RND Ø0.201 THREAD 1/4-20 UNC |
| 4 | 25.500 | 3.000 | RND Ø0.201 THREAD 1/4-20 UNC |
| 5 | 19.500 | 3.000 | RND Ø0.201 THREAD 1/4-20 UNC |
| 6 | 13.500 | 3.000 | RND Ø0.201 THREAD 1/4-20 UNC |
| 7 | 7.500 | 3.000 | RND Ø0.201 THREAD 1/4-20 UNC |
| 8 | 1.500 | 3.000 | RND Ø0.201 THREAD 1/4-20 UNC |



| | | |
|--|-------------------------------------|--------------|
| | Description | Status |
| | Rounded Edge Aluminum Bar 1/2" x 6" | (NULL) |
| | Part Number Numéro Pièce | Rev. |
| | 1412BT051605DTBAR3-P | 0 / 9 |
| | | 16 |

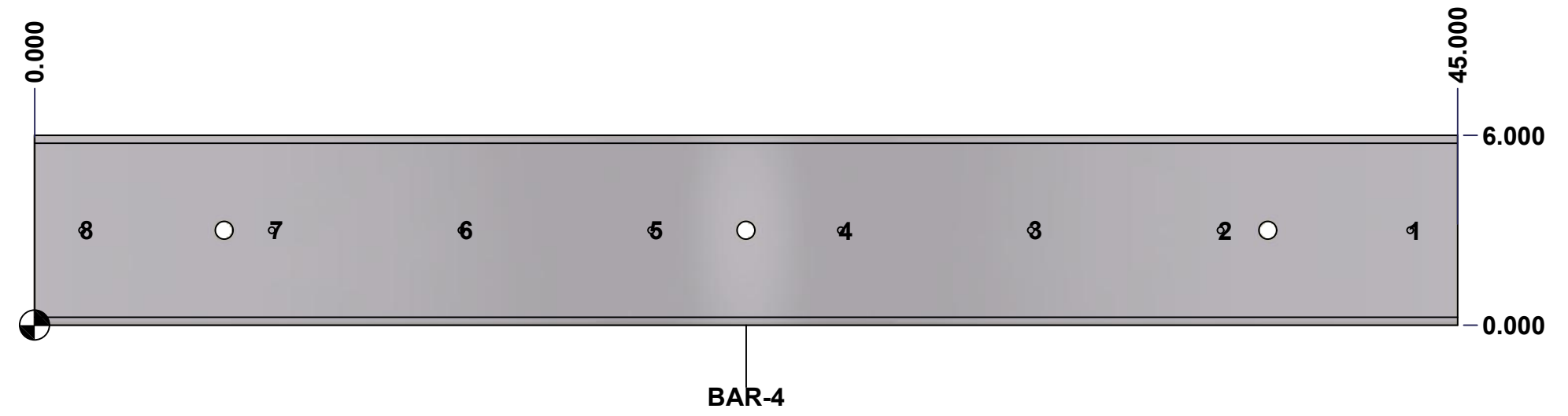
This drawing is confidential and must not be reproduced or used without the consent of Eurobox

Ce dessin est confidentiel et ne doit pas être reproduit ou utilisé sans le consentement de Eurobox

STANDARD FEATURES ARE NOT LISTED IN THIS HOLE TABLE

HOLE TABLE - FRONT VIEW (CUSTOM FEATURE ONLY)

| CUT-OUT | XDIM | YDIM | DESCRIPTION |
|---------|--------|-------|------------------------------|
| 1 | 43.500 | 3.000 | RND Ø0.201 THREAD 1/4-20 UNC |
| 2 | 37.500 | 3.000 | RND Ø0.201 THREAD 1/4-20 UNC |
| 3 | 31.500 | 3.000 | RND Ø0.201 THREAD 1/4-20 UNC |
| 4 | 25.500 | 3.000 | RND Ø0.201 THREAD 1/4-20 UNC |
| 5 | 19.500 | 3.000 | RND Ø0.201 THREAD 1/4-20 UNC |
| 6 | 13.500 | 3.000 | RND Ø0.201 THREAD 1/4-20 UNC |
| 7 | 7.500 | 3.000 | RND Ø0.201 THREAD 1/4-20 UNC |
| 8 | 1.500 | 3.000 | RND Ø0.201 THREAD 1/4-20 UNC |



| | | | |
|--|-------------------------------------|----------|----------|
| | Description | Status | |
| | Rounded Edge Aluminum Bar 1/2" x 6" | (NULL) | |
| | Part Number Numéro Pièce | Rev. | |
| | 1412BT051605DTBAR4-P | 0 | 10 16 |

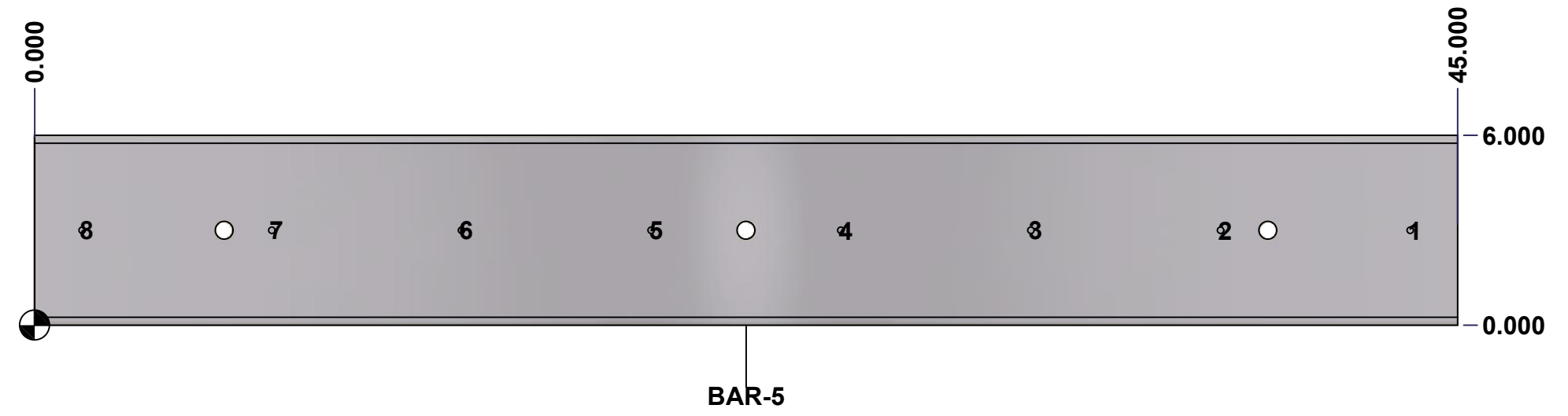
This drawing is confidential and must not be reproduced or used without the consent of Eurobox

Ce dessin est confidentiel et ne doit pas être reproduit ou utilisé sans le consentement de Eurobox

STANDARD FEATURES ARE NOT LISTED IN THIS HOLE TABLE

HOLE TABLE - FRONT VIEW (CUSTOM FEATURE ONLY)

| CUT-OUT | XDIM | YDIM | DESCRIPTION |
|---------|--------|-------|------------------------------|
| 1 | 43.500 | 3.000 | RND Ø0.201 THREAD 1/4-20 UNC |
| 2 | 37.500 | 3.000 | RND Ø0.201 THREAD 1/4-20 UNC |
| 3 | 31.500 | 3.000 | RND Ø0.201 THREAD 1/4-20 UNC |
| 4 | 25.500 | 3.000 | RND Ø0.201 THREAD 1/4-20 UNC |
| 5 | 19.500 | 3.000 | RND Ø0.201 THREAD 1/4-20 UNC |
| 6 | 13.500 | 3.000 | RND Ø0.201 THREAD 1/4-20 UNC |
| 7 | 7.500 | 3.000 | RND Ø0.201 THREAD 1/4-20 UNC |
| 8 | 1.500 | 3.000 | RND Ø0.201 THREAD 1/4-20 UNC |



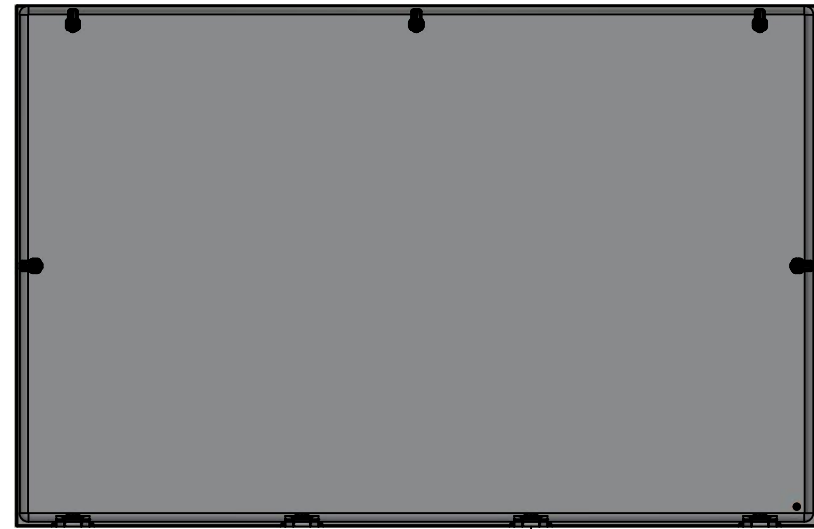
| | | | |
|--|-------------------------------------|----------|----|
| | Description | Status | |
| | Rounded Edge Aluminum Bar 1/2" x 6" | (NULL) | |
| | Part Number Numéro Pièce | Rev. | 11 |
| | 1412BT051605DTBAR5-P | 0 | 16 |

This drawing is confidential and must not be reproduced or used without the consent of EXM

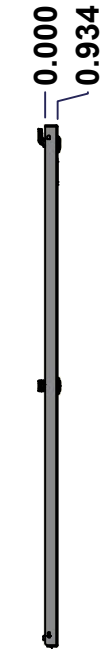
Ce dessin est confidentiel et ne doit pas être reproduit ou utilisé sans le consentement de EXM



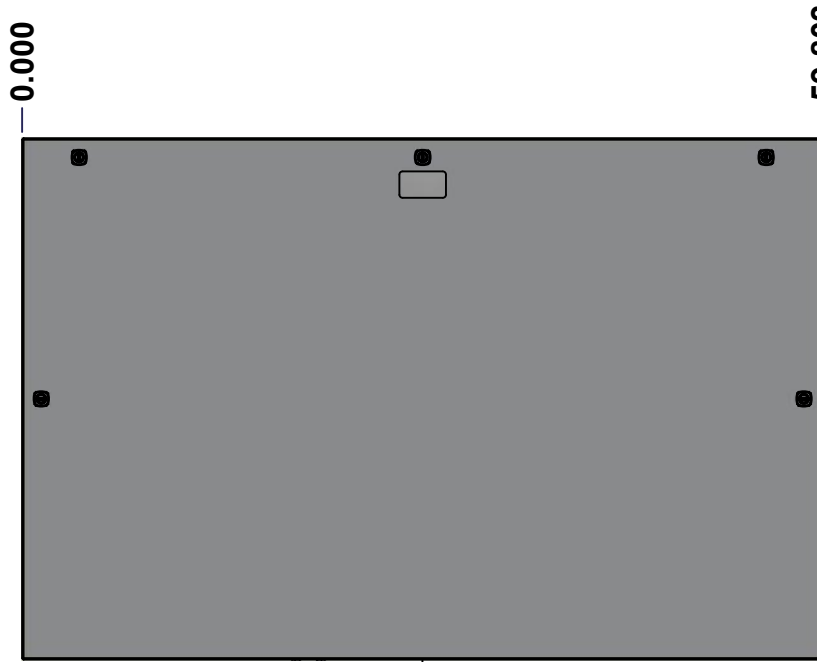
TOP



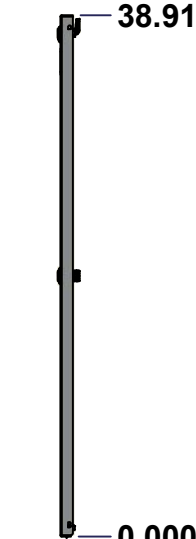
BACK



LEFT



FRONT



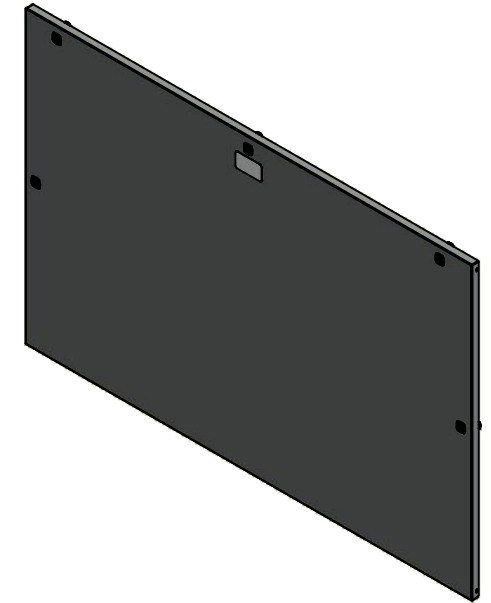
RIGHT



BOTTOM

0.000
0.934
0.000
59.803
38.918
0.000

| No. | Revisions | Date | By/Par |
|-----|-----------|------|--------|
| | | | |
| | | | |
| | | | |
| | | | |



Isometric View

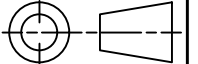


Tél: (450) 979-4373
Fax: (450) 979-4626
www.exmweb.com

Flatness
Aplatissement

Max 3.0mm

Projection



| | |
|---|-----------------|
| Customer Client | Date |
| Drawn By / Dessiné Par: BoxCad: BoxCad | Date: 04-Oct-22 |
| Material / Matière: 14 Ga Cold Rolled A1008 CS Type B (1.7mm) | |

| | |
|------------------------------|-----------------------|
| Color / Couleur: Asa-61 Grey | Finish / Fini: Smooth |
|------------------------------|-----------------------|

| | |
|-------------------------------------|-------------|
| Description: 1412BT 39" x 60" Cover | Detail Rev. |
|-------------------------------------|-------------|

| | | |
|---|--------|---------|
| Part Number / Numéro Pièce: 1412BT051605DTC | Rev. 0 | 12 / 16 |
|---|--------|---------|

SEE BILL OF MATERIAL ON LAST PAGE

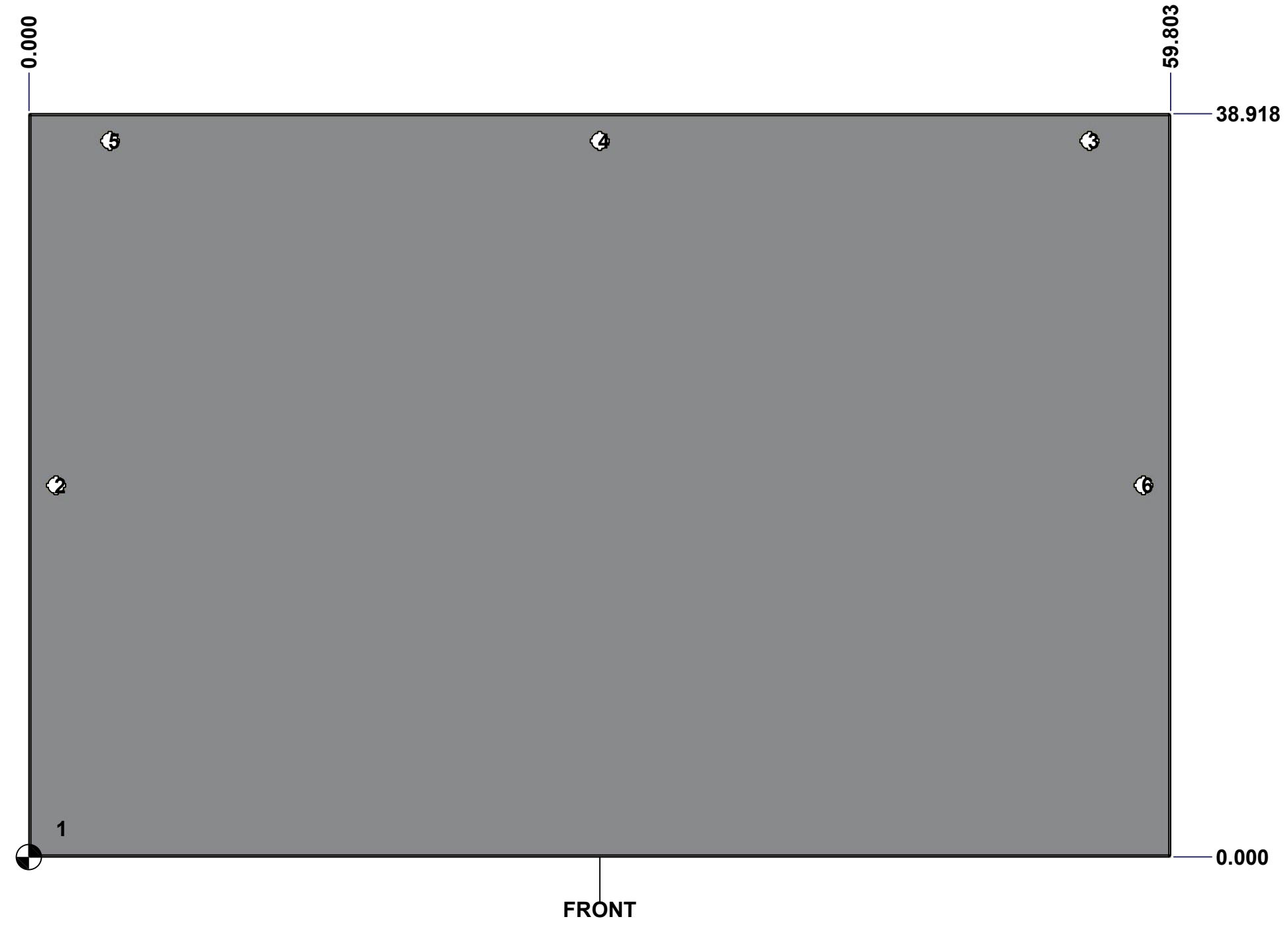
This drawing is confidential and must not be reproduced or used without the consent of Eurobox

Ce dessin est confidentiel et ne doit pas être reproduit ou utilisé sans le consentement de Eurobox

STANDARD FEATURES ARE NOT LISTED IN THIS HOLE TABLE

HOLE TABLE - FRONT VIEW (CUSTOM FEATURE ONLY)

| CUT-OUT | XDIM | YDIM | DESCRIPTION |
|---------|--------|--------|-----------------------------|
| 1 | 1.500 | 1.486 | GND STUD M6 x 16mm (Inside) |
| 2 | 1.424 | 19.459 | LOCK 880 SCQ4-SL @ 180.0° |
| 3 | 55.553 | 37.494 | LOCK 880 SCQ4-SL @ 90.0° |
| 4 | 29.902 | 37.494 | LOCK 880 SCQ4-SL @ 90.0° |
| 5 | 4.250 | 37.494 | LOCK 880 SCQ4-SL @ 90.0° |
| 6 | 58.379 | 19.459 | LOCK 880 SCQ4-SL @ 0.0° |

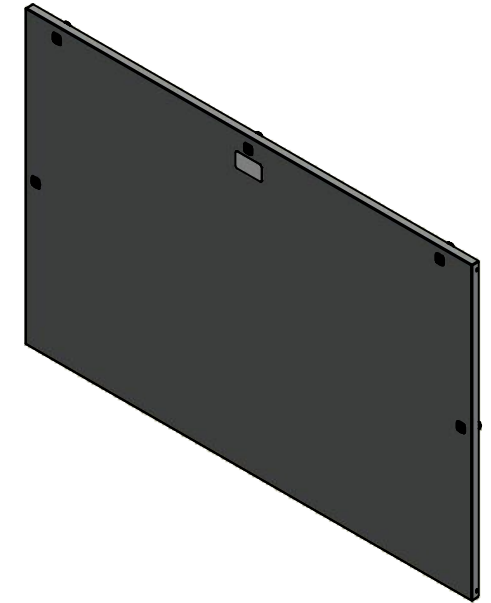


| | | | |
|--|-----------------------------|----------|----|
| | Description | Status | |
| | 1412BT 39" x 60" Cover | (NULL) | |
| | Part Number Numéro Pièce | Rev. | 13 |
| | 1412BT051605DTC | 0 | 16 |

This drawing is confidential and must not be reproduced or used without the consent of EXM


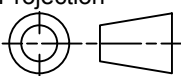
Ce dessin est confidentiel et ne doit pas être reproduit ou utilisé sans le consentement de EXM

| No. | Revisions | Date | By/Par |
|-----|-----------|------|--------|
| | | | |
| | | | |
| | | | |
| | | | |
| | | | |



Isometric View

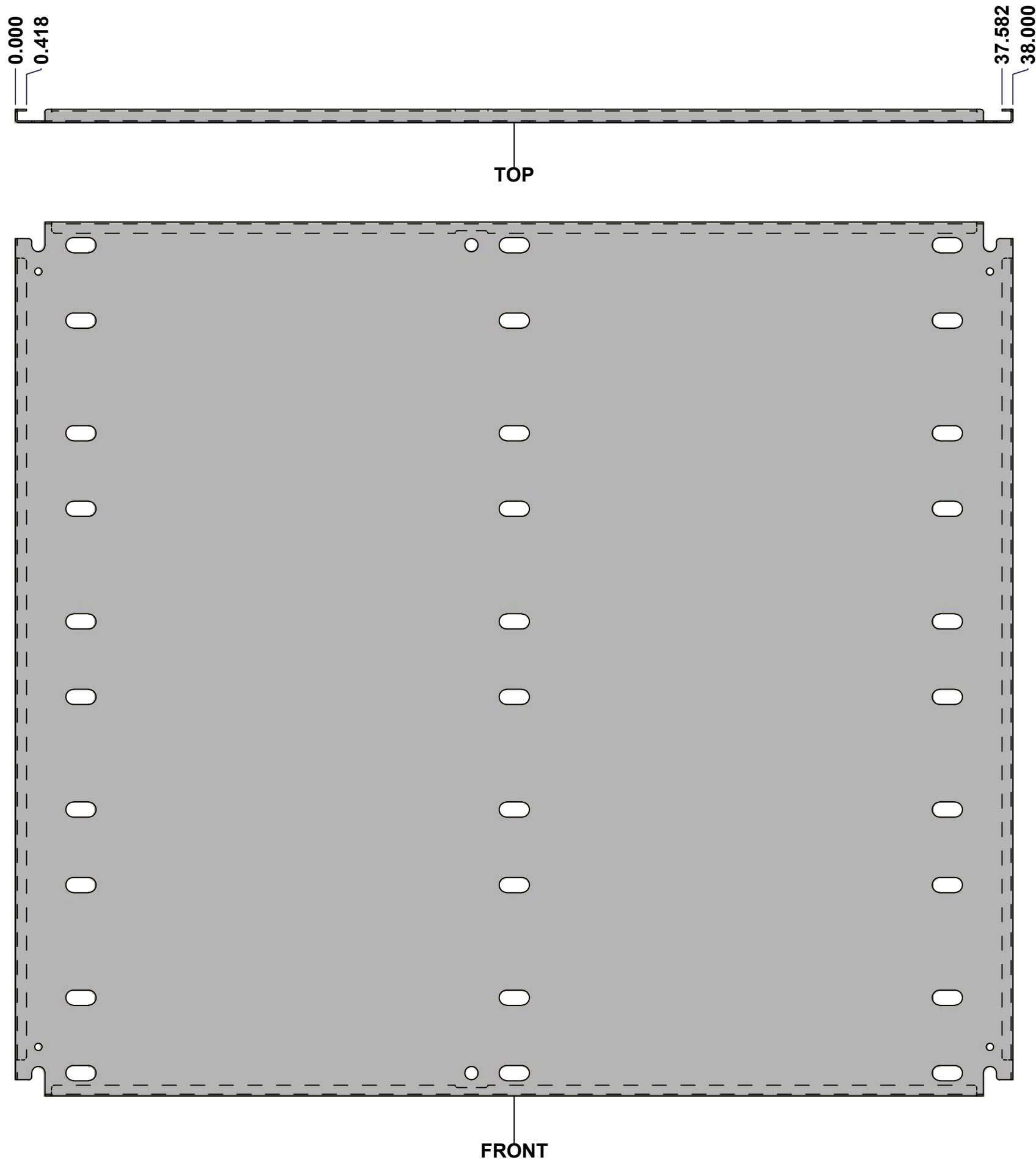


| | | |
|--|---|---|
|  Tél: (450) 979-4373 Fax: (450) 979-4626 www.exmweb.com | | Flatness Aplatissement Max 3.0mm Projection  |
| Customer Client | Date | |
| Drawn By Dessiné Par | BoxCad: BoxCad | Date 04-Oct-22 |
| Material Matière | 14 Ga Cold Rolled A1008 CS Type B (1.7mm) | |
| Color Couleur | Asa-61 Grey | Finish Fini Smooth |
| Description 1412BT 39" x 60" Cover | | Detail Rev. |
| Part Number Numéro Pièce | 1412BT051605DTC | Rev. 14 |
| | | 0 |

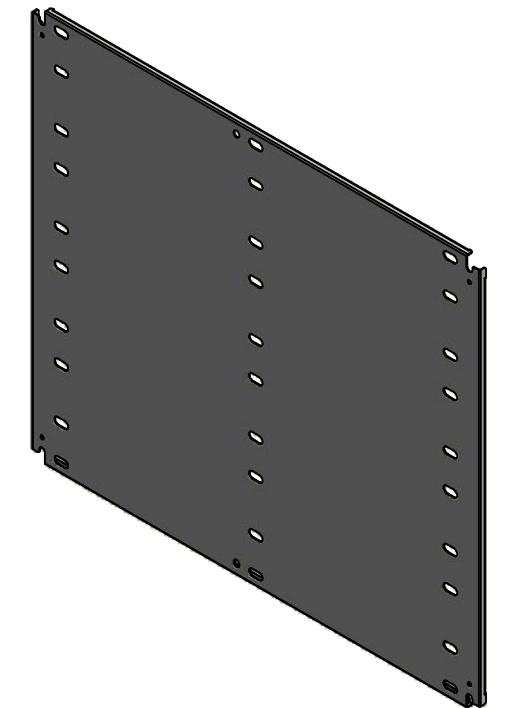
| Qty | Part Name | Rev | Description |
|------------|-------------------|-----|---|
| 1 | 1412BT051605DTG | 0 | 1412BT 39" x 60" Cover Gasket |
| 1 | STK-P-02400S | 0 | Powder Paint (Asa-61 Grey / Smooth) |
| 4 | STK-K-09800 | 10 | 5412 ES Hinge with 2 Captive Hinge Pins |
| 1 | STK-Q-16080 | 0 | Ground Stud M6 x 16mm |
| 1 | STK-S-00100 | 0 | 3.5" x 2" Silver Milar Flexcon Sticker |
| 1 | 1412BT051605DTC-P | 0 | 1412BT 39" x 60" Cover Part |
| 5 | 880 SCQ4-SL | 6 | 5412 ES 1/4 Turn Lock |
| Parts List | | | |

This drawing is confidential and must not be reproduced or used without the consent of EXM

Ce dessin est confidentiel et ne doit pas être reproduit ou utilisé sans le consentement de EXM


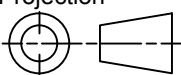


| No. | Revisions | Date | By/Par |
|-----|-----------|------|--------|
| | | | |
| | | | |
| | | | |
| | | | |
| | | | |



Isometric View



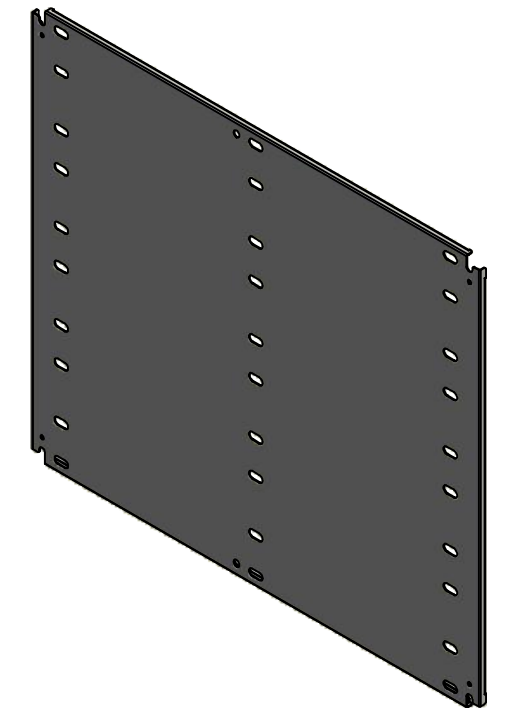
| | | |
|--|---|---|
|  Tél: (450) 979-4373 Fax: (450) 979-4626 www.exmweb.com | | Flatness Aplatissement Max 3.0mm Projection  |
| Customer Client | Date | |
| Drawn By Dessiné Par | BoxCad: BoxCad | Date 04-Oct-22 |
| Material Matière | 14 Ga Cold Rolled A1008 CS Type B (1.7mm) | |
| Color Couleur | White RAL9003 | Finish Fini Smooth |
| Description 1412BT 33.293" x 38" Inner Panel | | Detail Rev. |
| Part Number Numéro Pièce | Rev. 0 | 15 16 |

SEE BILL OF MATERIAL ON LAST PAGE

This drawing is confidential and must not be reproduced or used without the consent of EXM


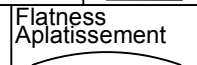

Ce dessin est confidentiel et ne doit pas être reproduit ou utilisé sans le consentement de EXM

| No. | Revisions | Date | By/Par |
|-----|-----------|------|--------|
| | | | |
| | | | |
| | | | |
| | | | |
| | | | |



Isometric View



| | |
|--|--|
|  Tél: (450) 979-4373 Fax: (450) 979-4626 www.exmweb.com | Flatness Aplatissement  Max 3.0mm |
| | Projection  |
| Customer Client | Date |
| Drawn By / Dessiné Par: BoxCad: BoxCad | Date: 04-Oct-22 |
| Material / Matière: 14 Ga Cold Rolled A1008 CS Type B (1.7mm) | |
| Color / Couleur: White RAL9003 | Finish / Fini: Smooth |
| Description: 1412BT 33.293" x 38" Inner Panel | |
| Detail Rev. | |
| Part Number / Numéro Pièce: 1412BT051605DTIP1 | Rev. 0 / 16 |

| Qty | Part Number | Rev | Description |
|------------|---------------------|-----|---------------------------------------|
| 1 | STK-P-02401S | 0 | Powder Paint (White / Smooth) |
| 1 | 1412BT051605DTIP1-P | 0 | 1412BT 33.293" x 60" Inner Panel Part |
| Parts List | | | |