

This drawing is confidential and must not be reproduced or used without the consent of EXM

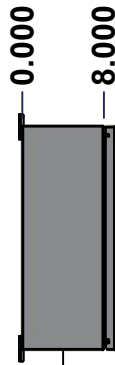
Ce dessin est confidentiel et ne doit pas être reproduit ou utilisé sans le consentement de EXM



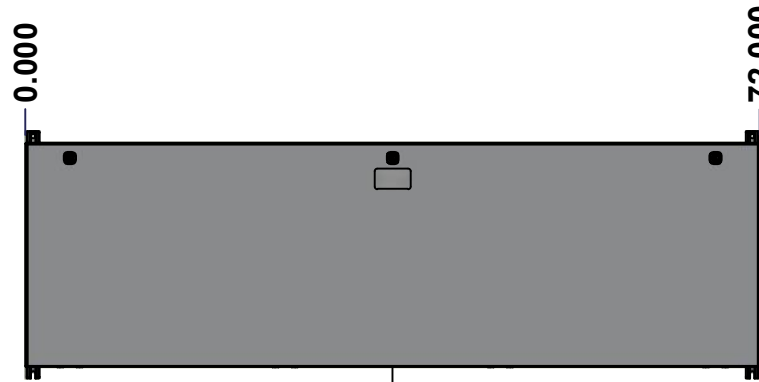
TOP



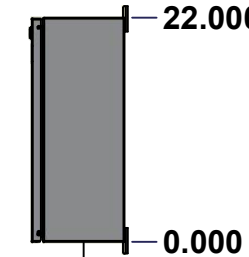
BACK



LEFT



FRONT

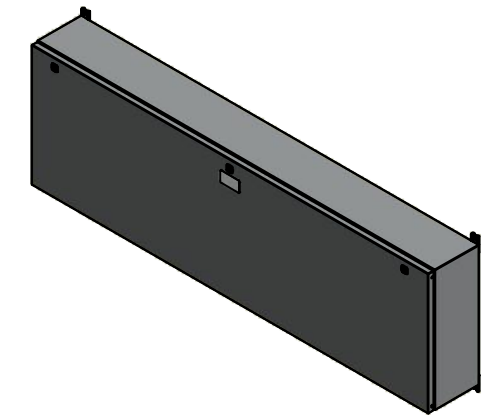


RIGHT



BOTTOM

No.	Revisions	Date	By/Par



Isometric View

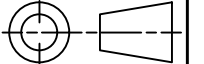


Tél: (450) 979-4373  
 Fax: (450) 979-4626  
[www.exmweb.com](http://www.exmweb.com)

Flatness  
Aplatissement

Max 3.0mm

Projection



Customer Client	Date
Drawn By Dessiné Par BoxCad: BoxCad	Date 2022-09-30
Material Matière 14 Ga Cold Rolled A1008 CS Type B (1.7mm)	

Color Couleur Asa-61 Grey	Finish Fini Smooth
------------------------------	-----------------------

Description 1412BT 225A - 4Wires x 72" Assembly	Detail Rev.
--	-------------

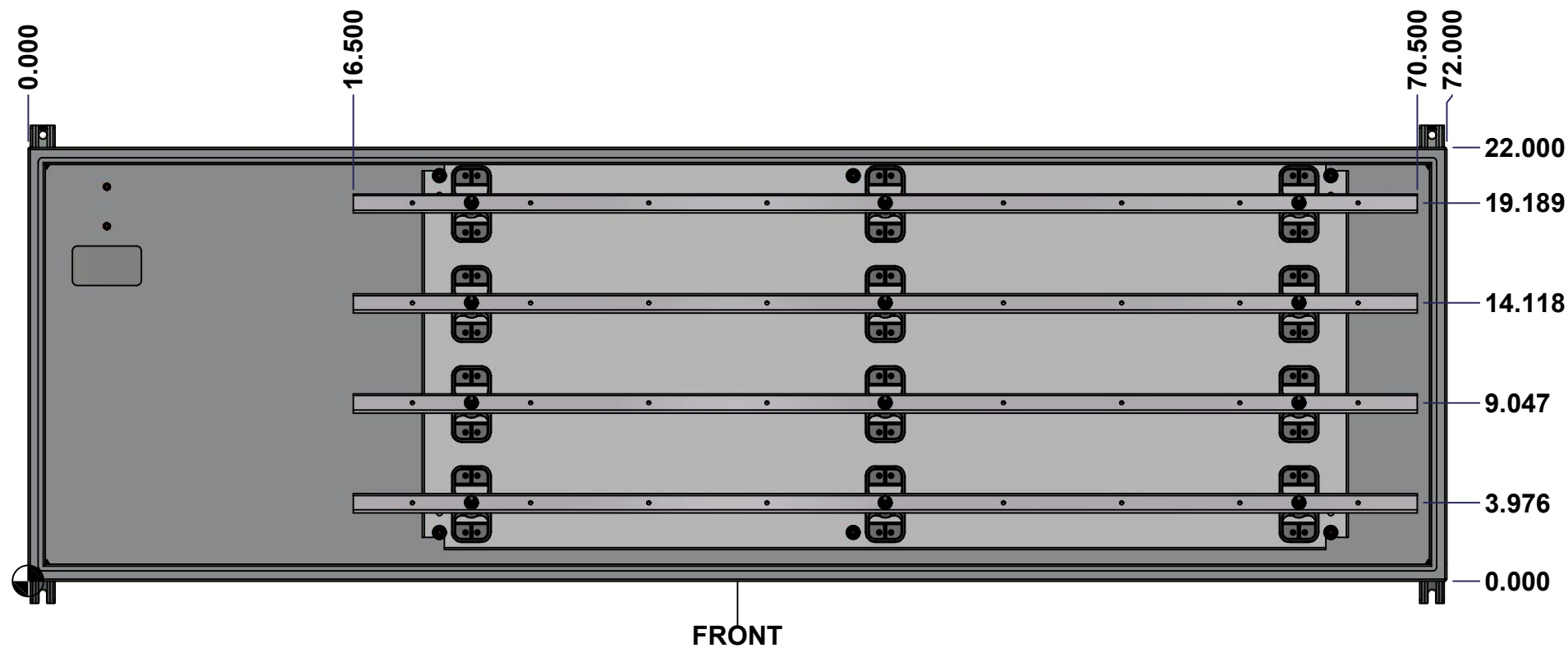
Part Number Numéro Pièce <b>1412BT06204DT</b>	Rev. <b>0</b>	1 15
--	---------------	---------

SEE BILL OF MATERIAL ON LAST PAGE

This drawing is confidential and must not be reproduced or used without the consent of Eurobox

Ce dessin est confidentiel et ne doit pas être reproduit ou utilisé sans le consentement de Eurobox

**STANDARD FEATURES ARE NOT LISTED IN THIS HOLE TABLE**



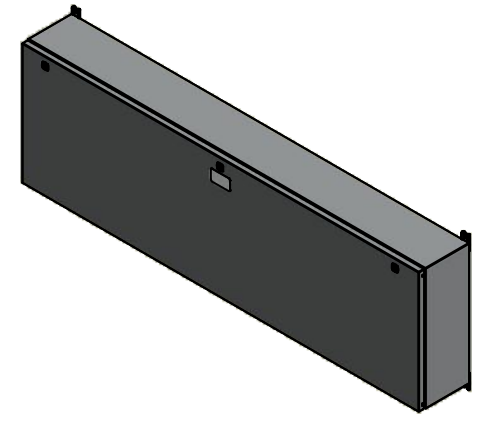
	Description		Status
	1412BT 225A - 4Wires x 72" Assembly		(NULL)
Part Number Numéro Pièce		Rev.	2
<b>1412BT06204DT</b>		<b>0</b>	15

This drawing is confidential and must not be reproduced or used without the consent of EXM

Ce dessin est confidentiel et ne doit pas être reproduit ou utilisé sans le consentement de EXM

NOTE	
ITEM	DESCRIPTION
1	NEMA 4/12 Enclosure
2	C/W Standard ground studs on box and cover
3	W/O Standard door stiffener
4	C/W Special inner panel (Sold separately)
5	C/W Standard inner panel mounting studs


No.	Revisions	Date	By/Par



Isometric View

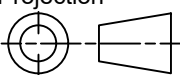
PACKING		
ITEM	QTY	DESCRIPTION
Cardboard sleeve	2	Top and Bottom
Cardboard strip	2	Between back of enclosure and inner panel
Plastic bag	1	To protect cover surface and inside gasket
Cardboard corner	4	To reinforced for the plastic strap tightening
Plastic strap - Black	2	To Squeeze 2 cardboard sleeve together
Packaging label	3	White label with PN
Plastic strap- Green	2	To secure the enclosure to the wood pallet
Wood Pallet	1	2" deeper and 3" larger than enclosure size

1	885 ESMF1	0	885 ESMF1 Mounting Feet Kit
1	1412BT06204DTBAR4-P	0	Rounded Edge Aluminum Bar 1/4" x 1"
1	1412BT06204DTBAR1-P	0	Rounded Edge Aluminum Bar 1/4" x 1"
1	1412BT06204DTBAR2-P	0	Rounded Edge Aluminum Bar 1/4" x 1"
1	1412BT06204DTBAR3-P	0	Rounded Edge Aluminum Bar 1/4" x 1"
1	1412BT06204DTIP1	0	1412BT 19.838" x 47" Inner Panel
12	STK-A-67400	0	Buss Bar Insulator Kit
1	STK-K-01800	5	5412 ES Accessory Kit
4	STK-Q-04050-07	7	M6 x 7mm Hexagon Socket Head Machine Screw with Nyseal
18	STK-Q-07310	2	Flange Lock Nut M8
6	STK-Q-07610	8	M8 Plastic Spacer 22.2mm
1	1412BT06204DTB	0	1412BT 22" x 72" x 8" Body
1	1412BT06204DTC	0	1412BT 22" x 72" Cover
Qty	Part Number	Rev	Description
Parts List			



Tél: (450) 979-4373  
Fax: (450) 979-4626  
[www.exmweb.com](http://www.exmweb.com)

Flatness  
Aplatissement  
Max 3.0mm

Projection  


Customer Client	Date
Drawn By Dessiné Par BoxCad: BoxCad	Date 2022-09-30
Material Matière 14 Ga Cold Rolled A1008 CS Type B (1.7mm)	
Color Couleur Asa-61 Grey	Finish Fini Smooth
Description 1412BT 225A - 4Wires x 72" Assembly	
Part Number Numéro Pièce <b>1412BT06204DT</b>	Rev. 3 <b>0</b>

This drawing is confidential and must not be reproduced or used without the consent of EXM

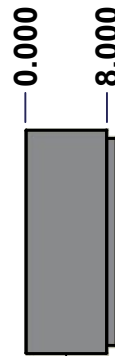
Ce dessin est confidentiel et ne doit pas être reproduit ou utilisé sans le consentement de EXM



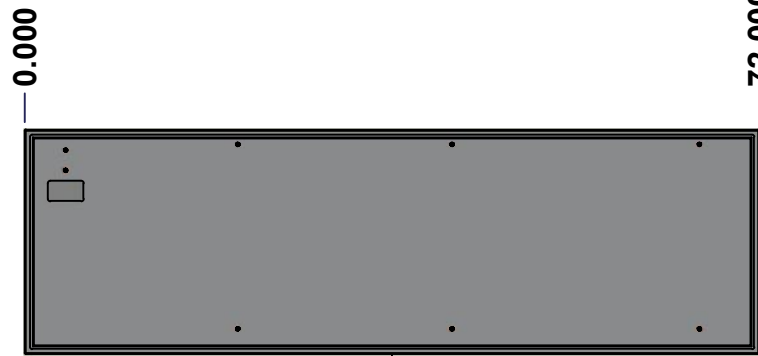
TOP



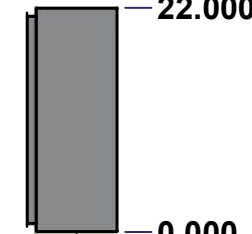
BACK



LEFT



FRONT

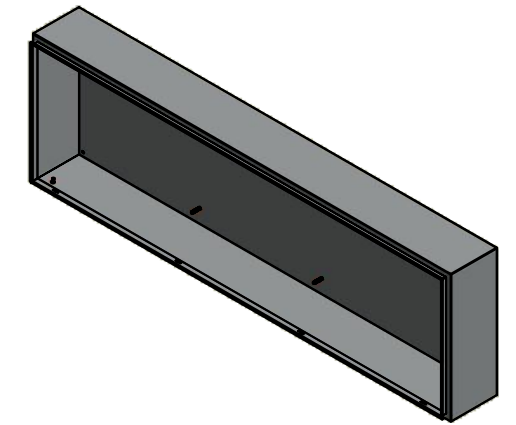


RIGHT




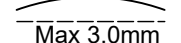
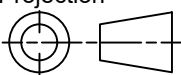
BOTTOM

No.	Revisions	Date	By/Par



Isometric View



 Tél: (450) 979-4373 Fax: (450) 979-4626 <a href="http://www.exmweb.com">www.exmweb.com</a>		Flatness Aplatissement  Max 3.0mm Projection 
Customer Client	Date	
Drawn By Dessiné Par	BoxCad: BoxCad	Date 2022-09-30
Material Matière	14 Ga Cold Rolled A1008 CS Type B (1.7mm)	
Color Couleur	Asa-61 Grey	Finish Fini Smooth
Description 1412BT 22" x 72" x 8" Body		Detail Rev.
Part Number Numéro Pièce	1412BT06204DTB	Rev. 4
SEE BILL OF MATERIAL ON LAST PAGE		0

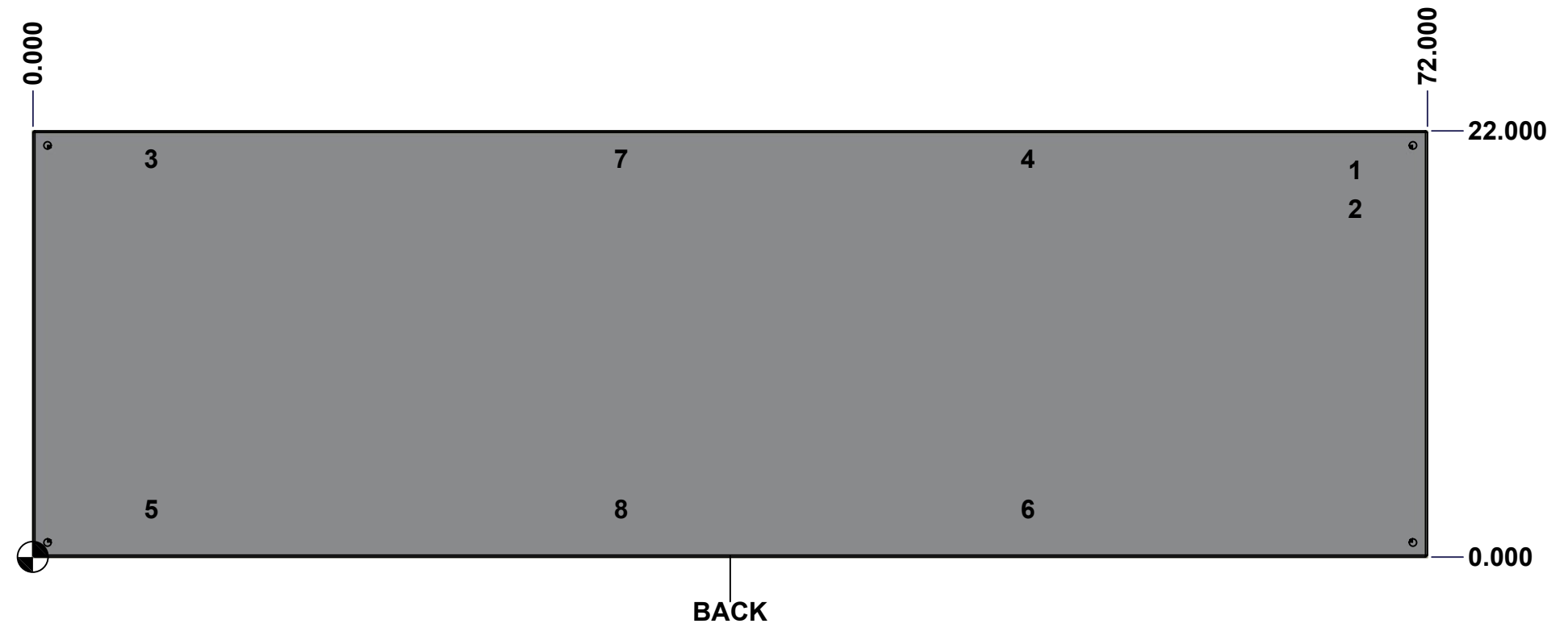
This drawing is confidential and must not be reproduced or used without the consent of Eurobox

Ce dessin est confidentiel et ne doit pas être reproduit ou utilisé sans le consentement de Eurobox

**STANDARD FEATURES ARE NOT LISTED IN THIS HOLE TABLE**

**HOLE TABLE - BACK VIEW (CUSTOM FEATURE ONLY)**

CUT-OUT	XDIM	YDIM	DESCRIPTION
1	68.000	20.000	GND STUD M8 x 35mm (Inside)
2	68.000	18.000	GND STUD M8 x 35mm (Inside)
3	5.875	20.563	IP STUD M8 x 35mm (Inside)
4	51.125	20.563	IP STUD M8 x 35mm (Inside)
5	5.875	2.475	IP STUD M8 x 35mm (Inside)
6	51.125	2.475	IP STUD M8 x 35mm (Inside)
7	30.125	20.563	IP STUD M8 x 35mm (Inside)
8	30.125	2.475	IP STUD M8 x 35mm (Inside)

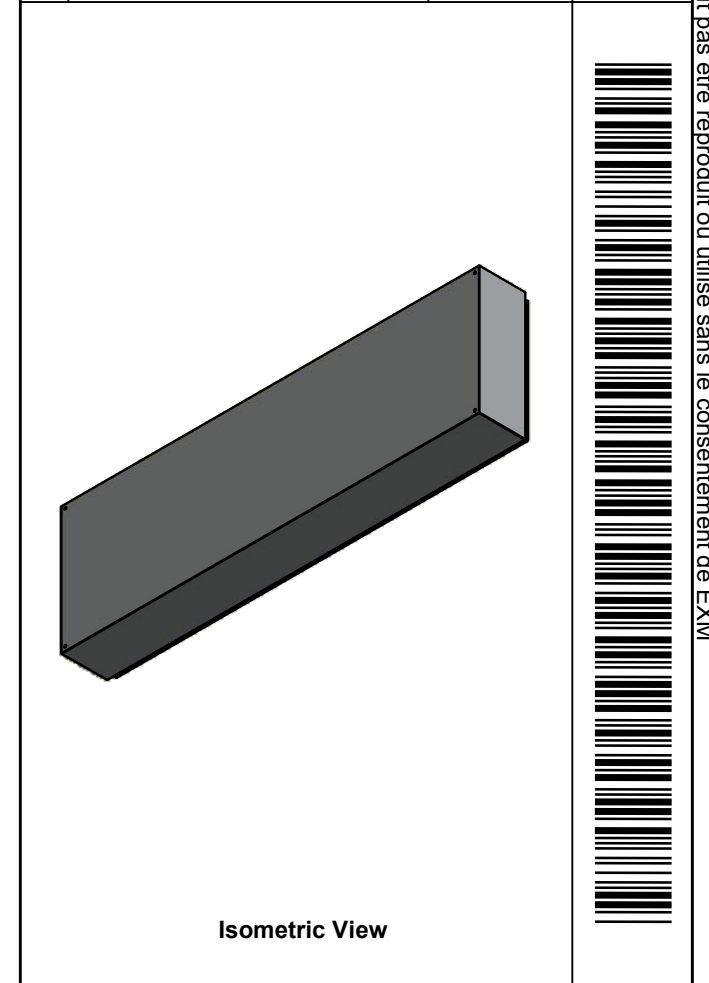



	Description	Status
	1412BT 22" x 72" x 8" Body	(NULL)
	Part Number Numéro Pièce	Rev.
	<b>1412BT06204DTB</b>	<b>0</b> / 5
		15

This drawing is confidential and must not be reproduced or used without the consent of EXM

Ce dessin est confidentiel et ne doit pas être reproduit ou utilisé sans le consentement de EXM

No.	Revisions	Date	By/Par



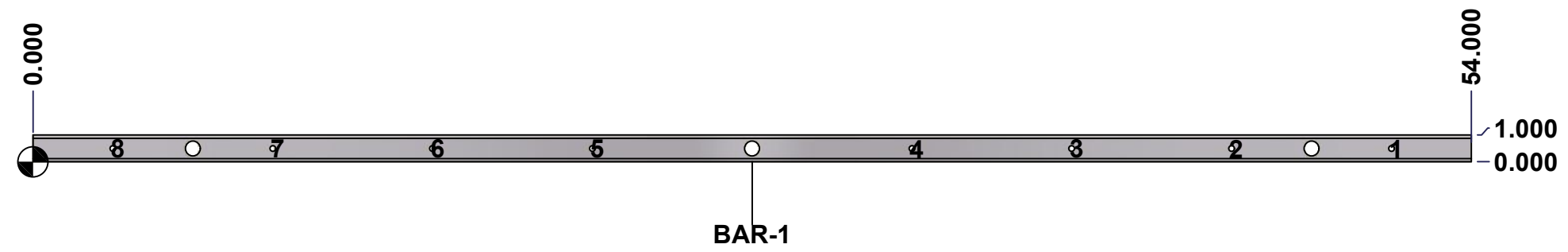
 Tél: (450) 979-4373 Fax: (450) 979-4626 <a href="http://www.exmweb.com">www.exmweb.com</a>		Flatness Aplatissement Max 3.0mm
Customer Client		Date
Drawn By / Dessiné Par: BoxCad: BoxCad		Date: 2022-09-30
Material / Matière: 14 Ga Cold Rolled A1008 CS Type B (1.7mm)		
Color / Couleur: Asa-61 Grey	Finish / Fini: Smooth	
Description: 1412BT 22" x 72" x 8" Body		Detail Rev.
Part Number / Numéro Pièce: <b>1412BT06204DTB</b>		Rev. 6 <b>0</b>

Qty	Part Number	Rev	Description
1	STK-P-02400S	0	Powder Paint (Asa-61 Grey / Smooth)
8	STK-Q-16005	1	Stud M8 x 35 (No Paint Cap Required)
1	STK-Q-16080	0	Ground Stud M6 x 16mm
1	STK-S-00100	0	3.5" x 2" Silver Milar Flexcon Sticker
1	1412BT06204DTB-P	0	1412BT 22" x 72" x 8" Body Part
Parts List			

This drawing is confidential and must not be reproduced or used without the consent of Eurobox

Ce dessin est confidentiel et ne doit pas être reproduit ou utilisé sans le consentement de Eurobox

STANDARD FEATURES ARE NOT LISTED IN THIS HOLE TABLE			
HOLE TABLE - FRONT VIEW (CUSTOM FEATURE ONLY)			
CUT-OUT	XDIM	YDIM	DESCRIPTION
1	51.000	0.500	RND Ø0.201 THREAD 1/4-20 UNC
2	45.000	0.500	RND Ø0.201 THREAD 1/4-20 UNC
3	39.000	0.500	RND Ø0.201 THREAD 1/4-20 UNC
4	33.000	0.500	RND Ø0.201 THREAD 1/4-20 UNC
5	21.000	0.500	RND Ø0.201 THREAD 1/4-20 UNC
6	15.000	0.500	RND Ø0.201 THREAD 1/4-20 UNC
7	9.000	0.500	RND Ø0.201 THREAD 1/4-20 UNC
8	3.000	0.500	RND Ø0.201 THREAD 1/4-20 UNC

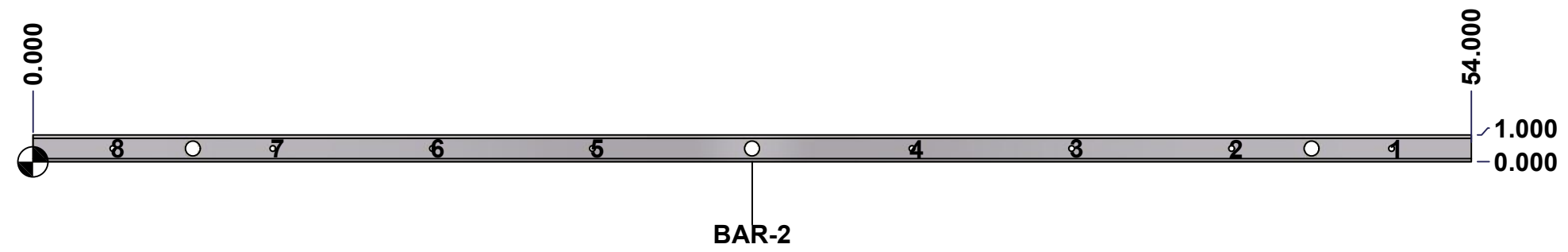


	Description	Status
	Rounded Edge Aluminum Bar 1/4" x 1"	(NULL)
	Part Number Numéro Pièce	Rev.
	<b>1412BT06204DTBAR1-P</b>	<b>0</b> / 7
		15

This drawing is confidential and must not be reproduced or used without the consent of Eurobox

Ce dessin est confidentiel et ne doit pas être reproduit ou utilisé sans le consentement de Eurobox

STANDARD FEATURES ARE NOT LISTED IN THIS HOLE TABLE			
HOLE TABLE - FRONT VIEW (CUSTOM FEATURE ONLY)			
CUT-OUT	XDIM	YDIM	DESCRIPTION
1	51.000	0.500	RND Ø0.201 THREAD 1/4-20 UNC
2	45.000	0.500	RND Ø0.201 THREAD 1/4-20 UNC
3	39.000	0.500	RND Ø0.201 THREAD 1/4-20 UNC
4	33.000	0.500	RND Ø0.201 THREAD 1/4-20 UNC
5	21.000	0.500	RND Ø0.201 THREAD 1/4-20 UNC
6	15.000	0.500	RND Ø0.201 THREAD 1/4-20 UNC
7	9.000	0.500	RND Ø0.201 THREAD 1/4-20 UNC
8	3.000	0.500	RND Ø0.201 THREAD 1/4-20 UNC



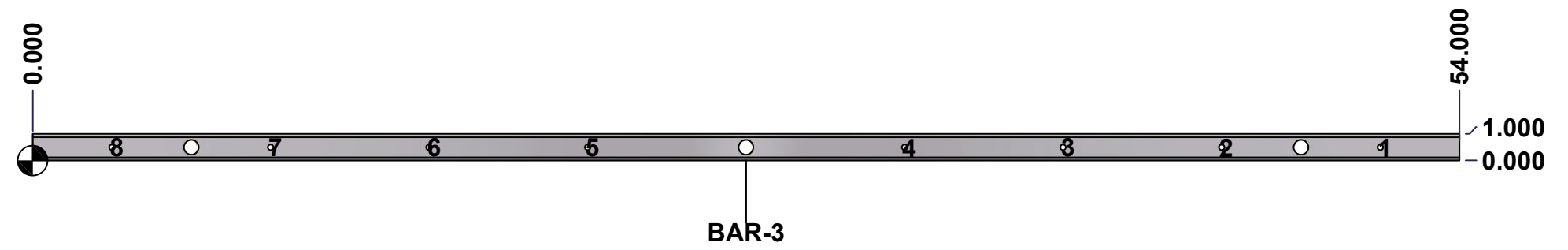
	Description	Status
	Rounded Edge Aluminum Bar 1/4" x 1"	(NULL)
	Part Number Numéro Pièce	Rev.
	<b>1412BT06204DTBAR2-P</b>	<b>0</b> / 8
		15



This drawing is confidential and must not be reproduced or used without the consent of Eurobox

Ce dessin est confidentiel et ne doit pas être reproduit ou utilisé sans le consentement de Eurobox

STANDARD FEATURES ARE NOT LISTED IN THIS HOLE TABLE			
HOLE TABLE - FRONT VIEW (CUSTOM FEATURE ONLY)			
CUT-OUT	XDIM	YDIM	DESCRIPTION
1	51.000	0.500	RND Ø0.201 THREAD 1/4-20 UNC
2	45.000	0.500	RND Ø0.201 THREAD 1/4-20 UNC
3	39.000	0.500	RND Ø0.201 THREAD 1/4-20 UNC
4	33.000	0.500	RND Ø0.201 THREAD 1/4-20 UNC
5	21.000	0.500	RND Ø0.201 THREAD 1/4-20 UNC
6	15.000	0.500	RND Ø0.201 THREAD 1/4-20 UNC
7	9.000	0.500	RND Ø0.201 THREAD 1/4-20 UNC
8	3.000	0.500	RND Ø0.201 THREAD 1/4-20 UNC

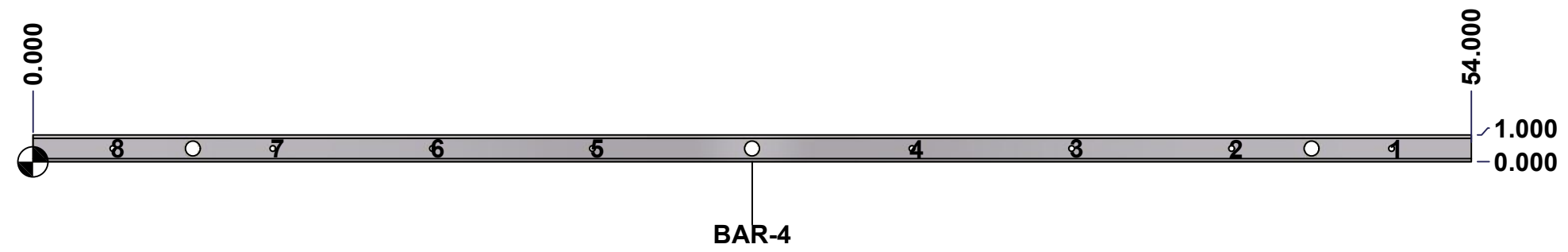


	Description	Status	
	Rounded Edge Aluminum Bar 1/4" x 1"	(NULL)	
	Part Number Numéro Pièce	Rev.	9
	<b>1412BT06204DTBAR3-P</b>	<b>0</b>	15

This drawing is confidential and must not be reproduced or used without the consent of Eurobox

Ce dessin est confidentiel et ne doit pas être reproduit ou utilisé sans le consentement de Eurobox

STANDARD FEATURES ARE NOT LISTED IN THIS HOLE TABLE			
HOLE TABLE - FRONT VIEW (CUSTOM FEATURE ONLY)			
CUT-OUT	XDIM	YDIM	DESCRIPTION
1	51.000	0.500	RND Ø0.201 THREAD 1/4-20 UNC
2	45.000	0.500	RND Ø0.201 THREAD 1/4-20 UNC
3	39.000	0.500	RND Ø0.201 THREAD 1/4-20 UNC
4	33.000	0.500	RND Ø0.201 THREAD 1/4-20 UNC
5	21.000	0.500	RND Ø0.201 THREAD 1/4-20 UNC
6	15.000	0.500	RND Ø0.201 THREAD 1/4-20 UNC
7	9.000	0.500	RND Ø0.201 THREAD 1/4-20 UNC
8	3.000	0.500	RND Ø0.201 THREAD 1/4-20 UNC



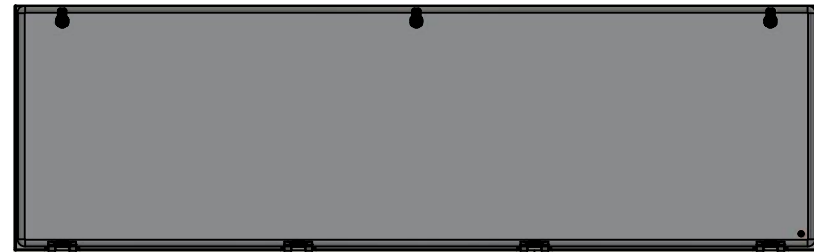
	Description	Status	
	Rounded Edge Aluminum Bar 1/4" x 1"	(NULL)	
	Part Number Numéro Pièce	Rev.	
	<b>1412BT06204DTBAR4-P</b>	<b>0</b>	10 15

This drawing is confidential and must not be reproduced or used without the consent of EXM

Ce dessin est confidentiel et ne doit pas être reproduit ou utilisé sans le consentement de EXM



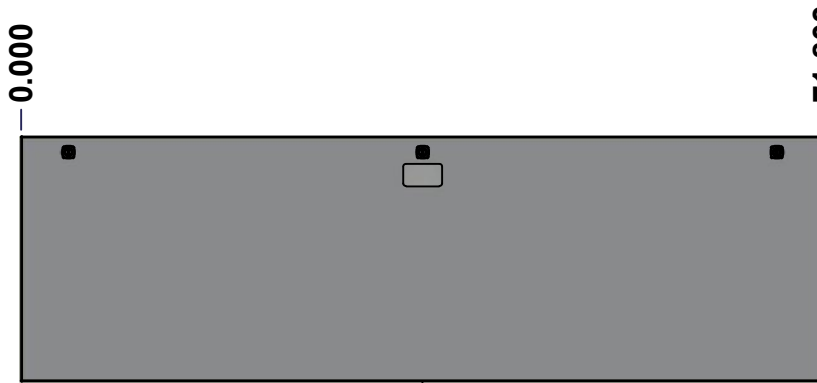
TOP



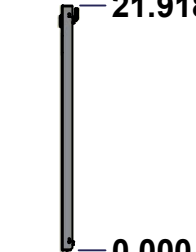
BACK



LEFT



FRONT

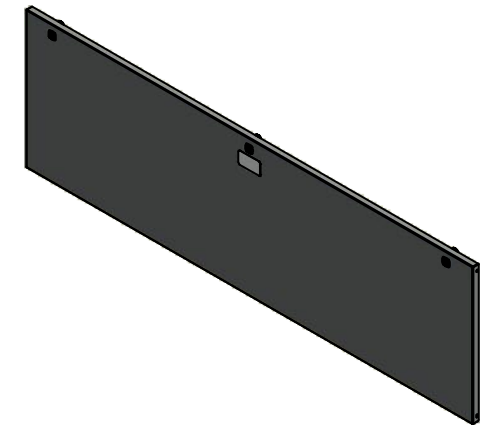


RIGHT



BOTTOM

No.	Revisions	Date	By/Par



Isometric View

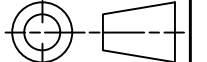


Tél: (450) 979-4373  
 Fax: (450) 979-4626  
[www.exmweb.com](http://www.exmweb.com)

Flatness  
Aplatissement

Max 3.0mm

Projection



Customer Client	Date
Drawn By / Dessiné Par: BoxCad: BoxCad	Date: 2022-09-30
Material / Matière: 14 Ga Cold Rolled A1008 CS Type B (1.7mm)	

Color / Couleur: Asa-61 Grey	Finish / Fini: Smooth
------------------------------	-----------------------

Description: 1412BT 22" x 72" Cover	Detail Rev.
-------------------------------------	-------------

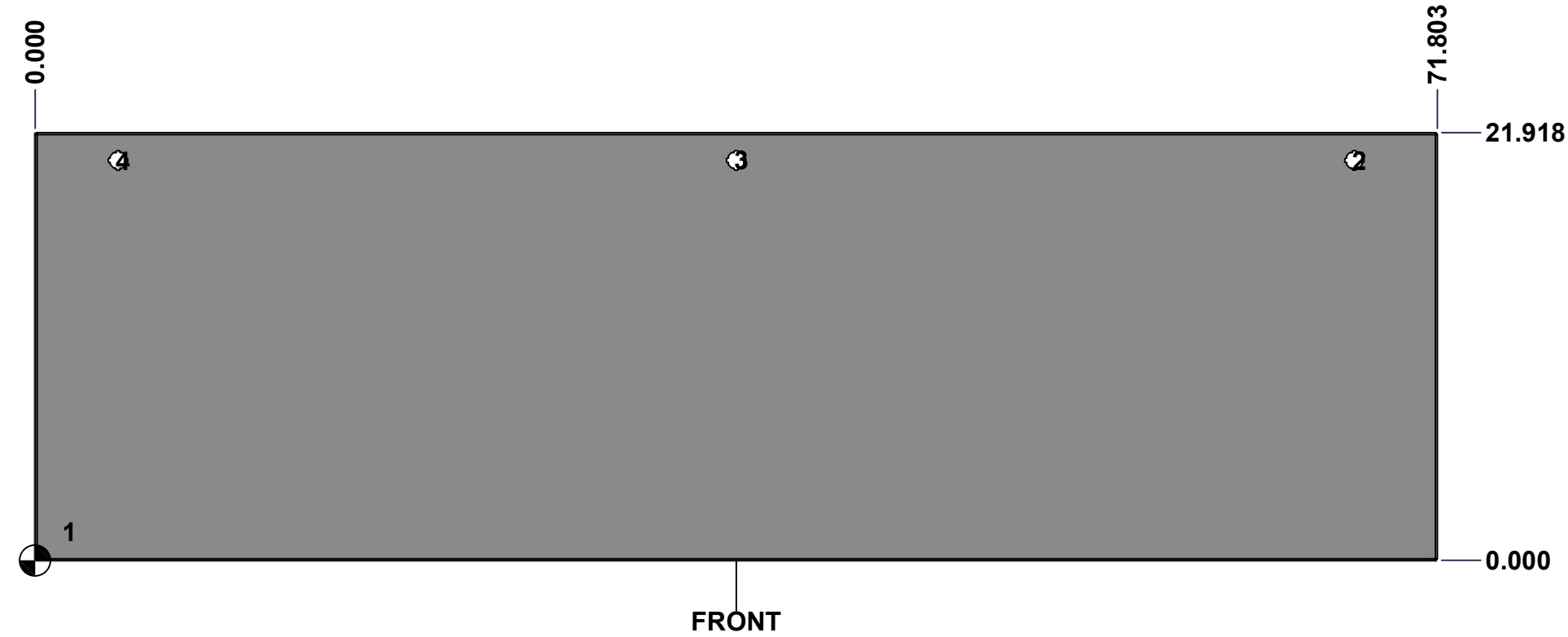
Part Number / Numéro Pièce: 1412BT06204DTC	Rev. 0	11
--	--------	----

SEE BILL OF MATERIAL ON LAST PAGE

This drawing is confidential and must not be reproduced or used without the consent of Eurobox

Ce dessin est confidentiel et ne doit pas être reproduit ou utilisé sans le consentement de Eurobox

STANDARD FEATURES ARE NOT LISTED IN THIS HOLE TABLE			
HOLE TABLE - FRONT VIEW (CUSTOM FEATURE ONLY)			
CUT-OUT	XDIM	YDIM	DESCRIPTION
1	1.500	1.486	GND STUD M6 x 16mm (Inside)
2	67.553	20.494	LOCK 880 SCQ4-SL @ 90.0°
3	35.902	20.494	LOCK 880 SCQ4-SL @ 90.0°
4	4.250	20.494	LOCK 880 SCQ4-SL @ 90.0°

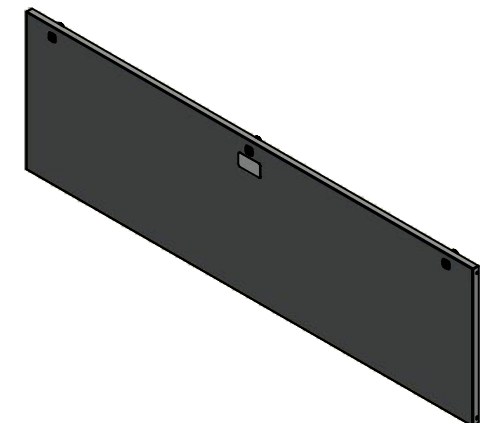


	Description	Status	
	1412BT 22" x 72" Cover	(NULL)	
	Part Number Numéro Pièce	Rev.	12
	<b>1412BT06204DTC</b>	<b>0</b>	15

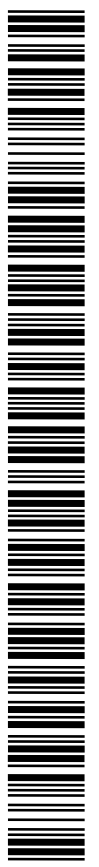
This drawing is confidential and must not be reproduced or used without the consent of EXM

Ce dessin est confidentiel et ne doit pas être reproduit ou utilisé sans le consentement de EXM

No.	Revisions	Date	By/Par



Isometric View



Tél: (450) 979-4373  
 Fax: (450) 979-4626  
[www.exmweb.com](http://www.exmweb.com)

Flatness  
Aplatissement  
Max 3.0mm  
Projection

Customer Client	Date
Drawn By / Dessiné Par: BoxCad: BoxCad	Date: 2022-09-30

Material / Matière: 14 Ga Cold Rolled A1008 CS Type B (1.7mm)

Color / Couleur: Asa-61 Grey	Finish / Fini: Smooth
------------------------------	-----------------------

Description: 1412BT 22" x 72" Cover  
 Detail Rev.

Part Number / Numéro Pièce: <b>1412BT06204DTC</b>	Rev. 0	13 / 15
---	--------	---------

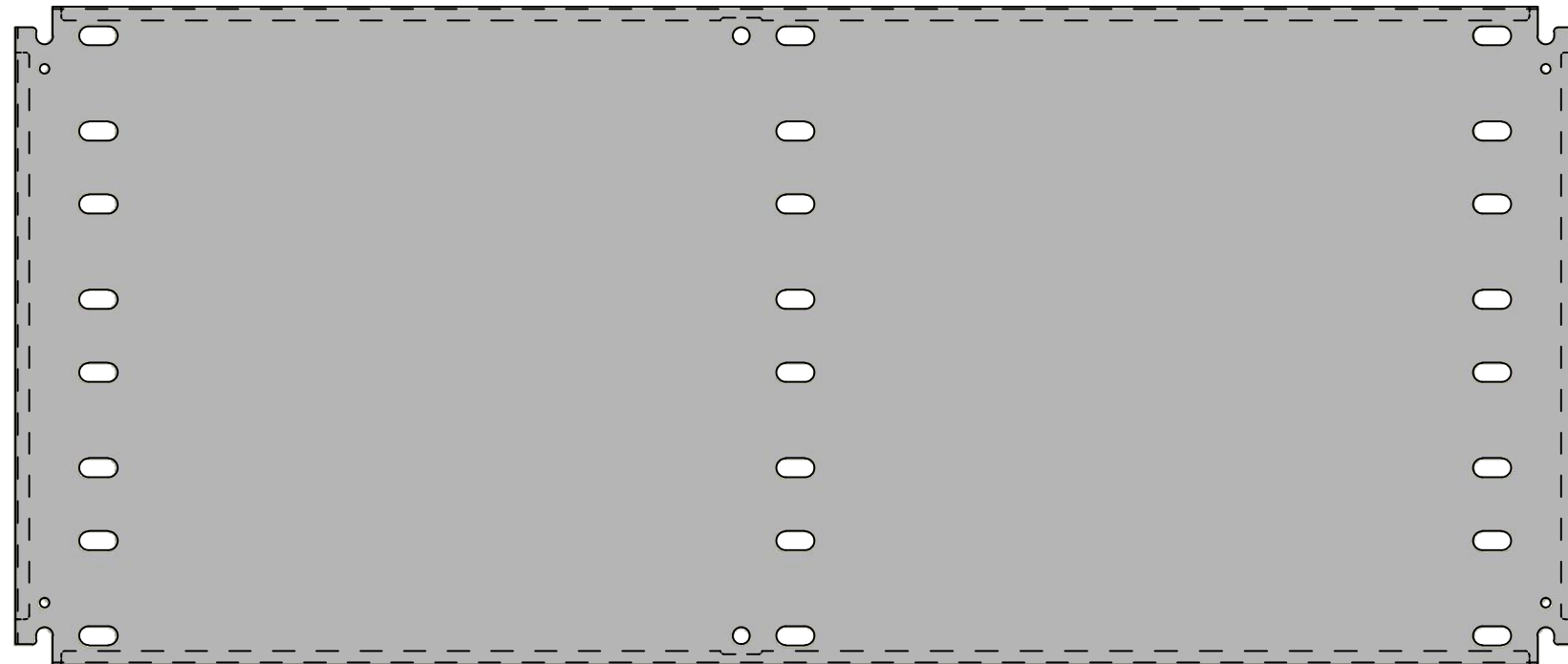
Qty	Part Name	Rev	Description
1	1412BT06204DTG	0	1412BT 22" x 72" Cover Gasket
1	STK-P-02400S	0	Powder Paint (Asa-61 Grey / Smooth)
4	STK-K-09800	10	5412 ES Hinge with 2 Captive Hinge Pins
1	STK-Q-16080	0	Ground Stud M6 x 16mm
1	STK-S-00100	0	3.5" x 2" Silver Milar Flexcon Sticker
1	1412BT06204DTC-P	0	1412BT 22" x 72" Cover Part
3	880 SCQ4-SL	6	5412 ES 1/4 Turn Lock
Parts List			

This drawing is confidential and must not be reproduced or used without the consent of EXM

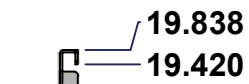
Ce dessin est confidentiel et ne doit pas être reproduit ou utilisé sans le consentement de EXM



TOP



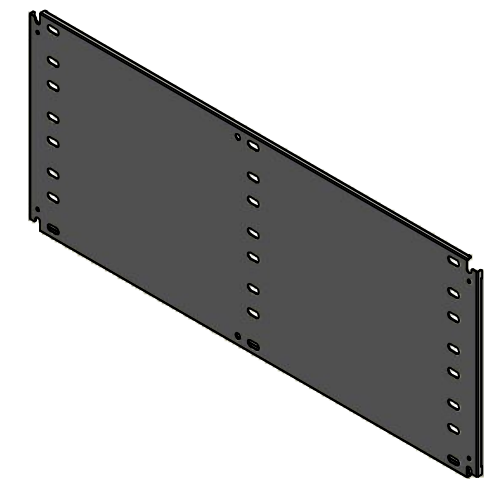
FRONT



RIGHT



No.	Revisions	Date	By/Par



Isometric View



Tél: (450) 979-4373  
Fax: (450) 979-4626  
[www.exmweb.com](http://www.exmweb.com)

Flatness  
Aplatissement  
Max 3.0mm  
Projection

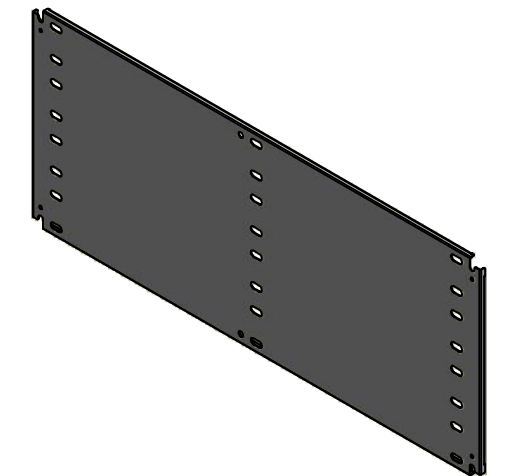
Customer Client	Date
Drawn By Dessiné Par BoxCad: BoxCad	Date 2022-09-30
Material Matière 14 Ga Cold Rolled A1008 CS Type B (1.7mm)	
Color Couleur White RAL9003	Finish Fini Smooth
Description 1412BT 19.838" x 47" Inner Panel	Detail Rev.
Part Number Numéro Pièce <b>1412BT06204DTIP1</b>	Rev. 14 <b>0</b>

SEE BILL OF MATERIAL ON LAST PAGE

This drawing is confidential and must not be reproduced or used without the consent of EXM


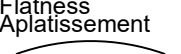
Ce dessin est confidentiel et ne doit pas être reproduit ou utilisé sans le consentement de EXM

No.	Revisions	Date	By/Par



Isometric View



 Tél: (450) 979-4373 Fax: (450) 979-4626 <a href="http://www.exmweb.com">www.exmweb.com</a>		Flatness Aplatissement  Max 3.0mm
Customer Client		Date
Drawn By / Dessiné Par: BoxCad: BoxCad		Date: 2022-09-30
Material / Matière: 14 Ga Cold Rolled A1008 CS Type B (1.7mm)		
Color / Couleur: White RAL9003	Finish / Fini: Smooth	
Description: 1412BT 19.838" x 47" Inner Panel		Detail Rev.
Part Number / Numéro Pièce: <b>1412BT06204DTIP1</b>		Rev. 0 / 15

Qty	Part Number	Rev	Description
1	STK-P-02401S	0	Powder Paint (White / Smooth)
1	1412BT06204DTIP1-P	0	1412BT 19.838" x 72" Inner Panel Part
Parts List			