

This drawing is confidential and must not be reproduced or used without the consent of EXM

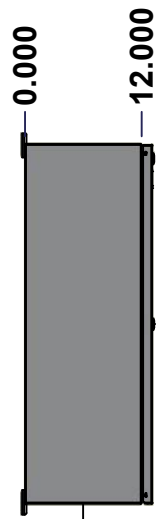
Ce dessin est confidentiel et ne doit pas être reproduit ou utilisé sans le consentement de EXM



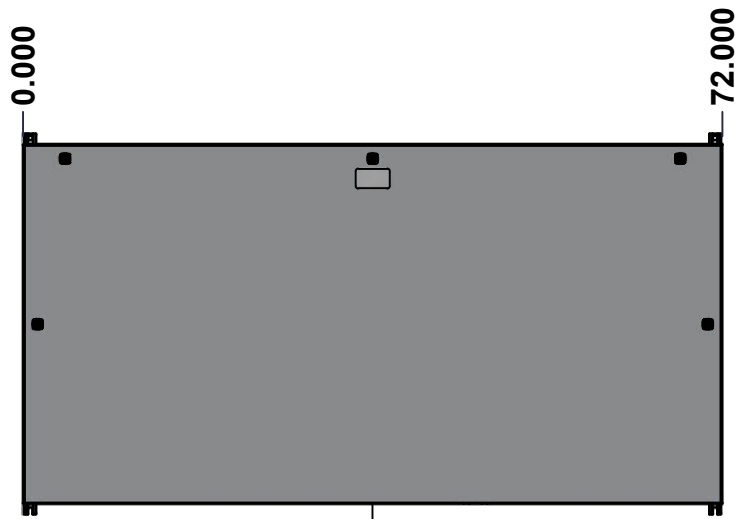
TOP



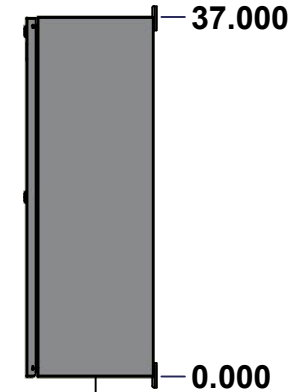
BACK



LEFT



FRONT

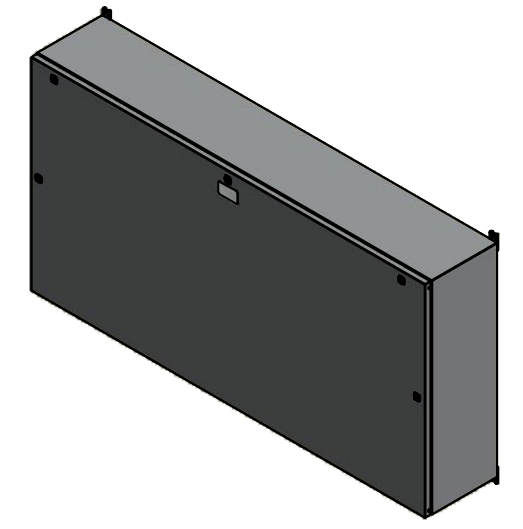


RIGHT

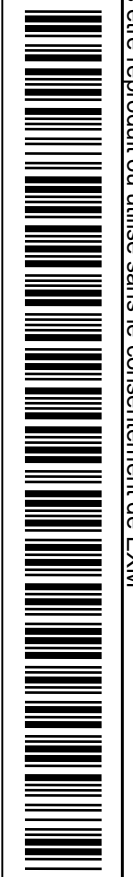


BOTTOM

No.	Revisions	Date	By/Par



Isometric View



Tél: (450) 979-4373
 Fax: (450) 979-4626
www.exmweb.com

Flatness
Aplatissement
Max 3.0mm
Projection

Customer Client	Date
Drawn By Dessiné Par BoxCad: BoxCad	Date 10/6/2022
Material Matière 14 Ga Cold Rolled A1008 CS Type B (1.7mm)	
Color Couleur Asa-61 Grey	Finish Fini Smooth
Description 1412BT 2500A - 4Wires x 72" Assembly	Detail Rev.

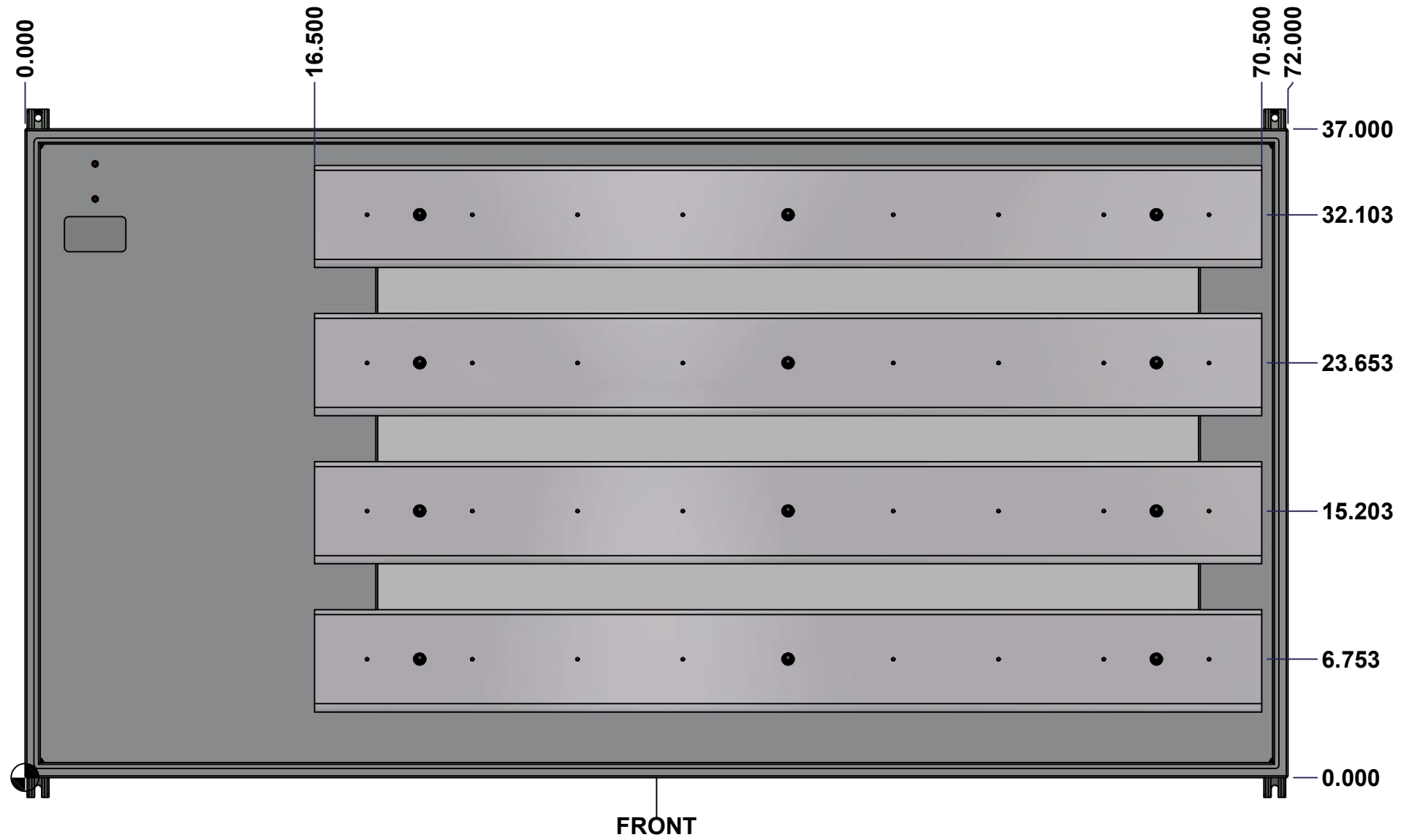
Part Number Numéro Pièce	Rev.	1
1412BT062504DT	0	15

SEE BILL OF MATERIAL ON LAST PAGE

This drawing is confidential and must not be reproduced or used without the consent of Eurobox

Ce dessin est confidentiel et ne doit pas être reproduit ou utilisé sans le consentement de Eurobox

STANDARD FEATURES ARE NOT LISTED IN THIS HOLE TABLE



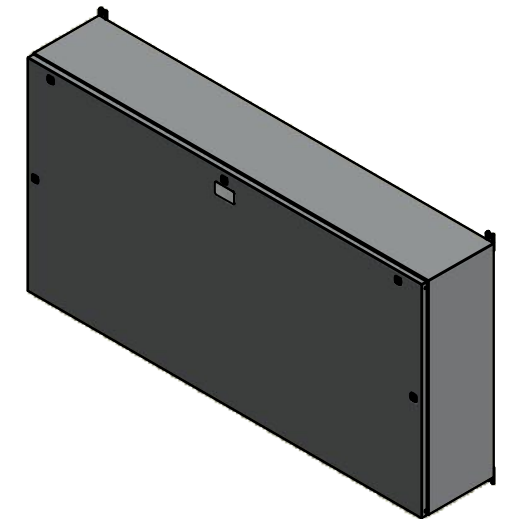
	Description		Status
	1412BT 2500A - 4Wires x 72" Assembly		(NULL)
Part Number Numéro Pièce		Rev.	2
1412BT062504DT		0	15

This drawing is confidential and must not be reproduced or used without the consent of EXM

Ce dessin est confidentiel et ne doit pas être reproduit ou utilisé sans le consentement de EXM

NOTE	
ITEM	DESCRIPTION
1	NEMA 4/12 Enclosure
2	C/W Standard ground studs on box and cover
3	W/O Standard door stiffener
4	C/W Special inner panel (Sold separately)
5	C/W Standard inner panel mounting studs

No.	Revisions	Date	By/Par



Isometric View



PACKING		
ITEM	QTY	DESCRIPTION
Cardboard sleeve	2	Top and Bottom
Cardboard strip	2	Between back of enclosure and inner panel
Plastic bag	1	To protect cover surface and inside gasket
Cardboard corner	4	To reinforced for the plastic strap tightening
Plastic strap - Black	2	To Squeeze 2 cardboard sleeve together
Packaging label	3	White label with PN
Plastic strap- Green	2	To secure the enclosure to the wood pallet
Wood Pallet	1	2" deeper and 3" larger than enclosure size

1	885 ESMF1	0	885 ESMF1 Mounting Feet Kit
1	1412BT062504DTBAR4-P	0	Rounded Edge Aluminum Bar 3/4" x 6"
1	1412BT062504DTBAR1-P	0	Rounded Edge Aluminum Bar 3/4" x 6"
1	1412BT062504DTBAR2-P	0	Rounded Edge Aluminum Bar 3/4" x 6"
1	1412BT062504DTBAR3-P	0	Rounded Edge Aluminum Bar 3/4" x 6"
1	1412BT062504DTIP1	0	1412BT 29.975" x 47" Inner Panel
12	STK-A-67400	0	Buss Bar Insulator Kit
1	STK-K-01800	5	5412 ES Accessory Kit
4	STK-Q-04050-07	7	M6 x 7mm Hexagon Socket Head Machine Screw with Nyseal
18	STK-Q-07310	2	Flange Lock Nut M8
6	STK-Q-07610	8	M8 Plastic Spacer 22.2mm
1	1412BT062504DTB	0	1412BT 37" x 72" x 12" Body
1	1412BT062504DTC	0	1412BT 37" x 72" Cover
Qty	Part Number	Rev	Description
Parts List			

	Tél: (450) 979-4373 Fax: (450) 979-4626 www.exmweb.com	Flatness Aplatissement Max 3.0mm
	Projection 	Customer Client
Drawn By Dessiné Par	BoxCad: BoxCad	Date 10/6/2022
Material Matière	14 Ga Cold Rolled A1008 CS Type B (1.7mm)	
Color Couleur	Asa-61 Grey	Finish Fini Smooth
Description 1412BT 2500A - 4Wires x 72" Assembly		Detail Rev.
Part Number Numéro Pièce 1412BT062504DT		Rev. 3 0

This drawing is confidential and must not be reproduced or used without the consent of EXM

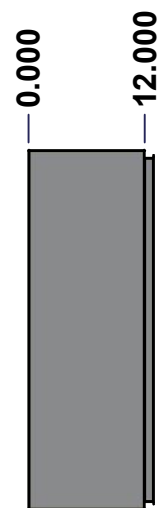
Ce dessin est confidentiel et ne doit pas être reproduit ou utilisé sans le consentement de EXM



TOP



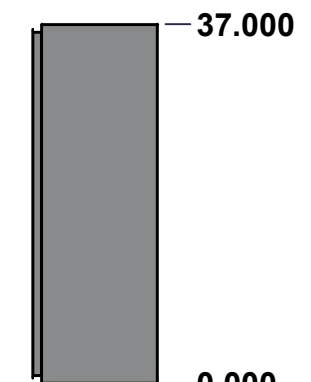
BACK



LEFT



FRONT

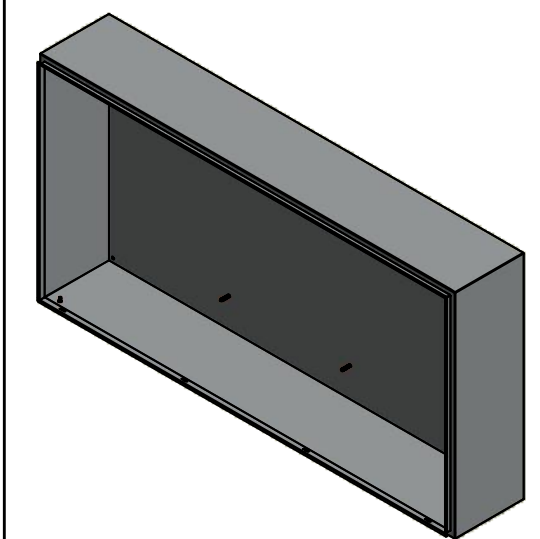


RIGHT




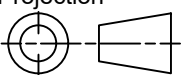
BOTTOM

No.	Revisions	Date	By/Par



Isometric View



 Tél: (450) 979-4373 Fax: (450) 979-4626 www.exmweb.com	Flatness Aplatissement Max 3.0mm
	Projection 
Customer Client	Date
Drawn By Dessiné Par BoxCad: BoxCad	Date 10/6/2022
Material Matière 14 Ga Cold Rolled A1008 CS Type B (1.7mm)	
Color Couleur Asa-61 Grey	Finish Fini Smooth
Description 1412BT 37" x 72" x 12" Body	
Part Number Numéro Pièce 1412BT062504DTB	Detail Rev. Rev. 4 0

SEE BILL OF MATERIAL ON LAST PAGE

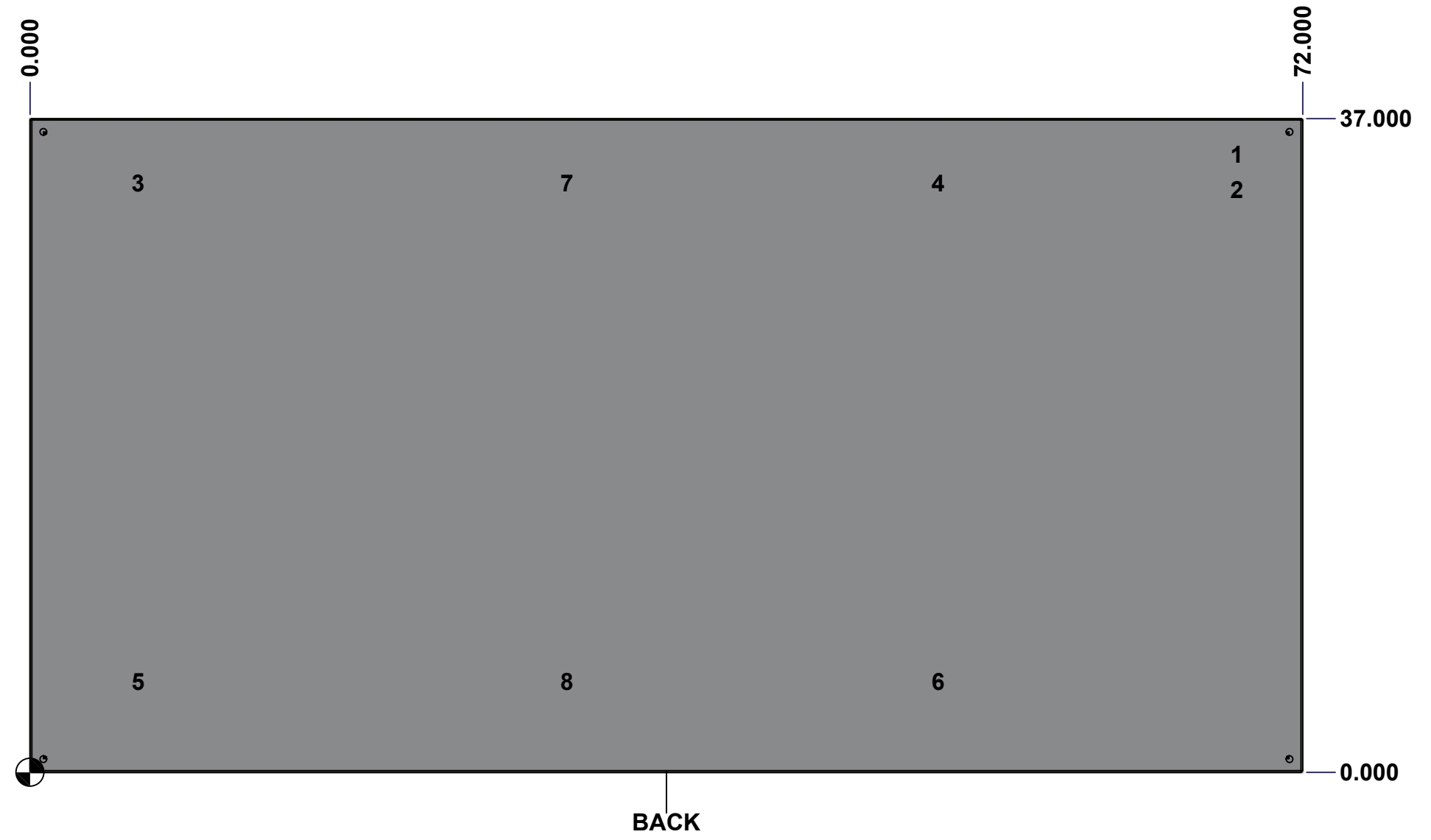
This drawing is confidential and must not be reproduced or used without the consent of Eurobox

Ce dessin est confidentiel et ne doit pas être reproduit ou utilisé sans le consentement de Eurobox

STANDARD FEATURES ARE NOT LISTED IN THIS HOLE TABLE

HOLE TABLE - BACK VIEW (CUSTOM FEATURE ONLY)

CUT-OUT	XDIM	YDIM	DESCRIPTION
1	68.000	35.000	GND STUD M8 x 35mm (Inside)
2	68.000	33.000	GND STUD M8 x 35mm (Inside)
3	5.875	33.350	IP STUD M8 x 35mm (Inside)
4	51.125	33.350	IP STUD M8 x 35mm (Inside)
5	5.875	5.125	IP STUD M8 x 35mm (Inside)
6	51.125	5.125	IP STUD M8 x 35mm (Inside)
7	30.125	33.350	IP STUD M8 x 35mm (Inside)
8	30.125	5.125	IP STUD M8 x 35mm (Inside)

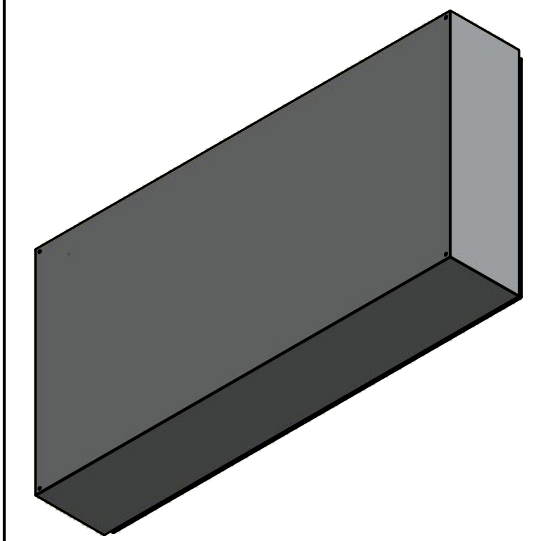


	Description 1412BT 37" x 72" x 12" Body	Status (NULL)
	Part Number Numéro Pièce 1412BT062504DTB	Rev. 5 0

This drawing is confidential and must not be reproduced or used without the consent of EXM


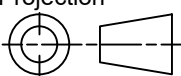
Ce dessin est confidentiel et ne doit pas être reproduit ou utilisé sans le consentement de EXM

No.	Revisions	Date	By/Par



Isometric View



 Tél: (450) 979-4373 Fax: (450) 979-4626 www.exmweb.com		Flatness Aplatissement Max 3.0mm
Customer Client		Projection 
Drawn By / Dessiné Par: BoxCad: BoxCad		Date: 10/6/2022
Material / Matière: 14 Ga Cold Rolled A1008 CS Type B (1.7mm)		
Color / Couleur: Asa-61 Grey	Finish / Fini: Smooth	
Description: 1412BT 37" x 72" x 12" Body		Detail Rev.
Part Number / Numéro Pièce: 1412BT062504DTB		Rev. 0 / 6

Qty	Part Number	Rev	Description
1	STK-P-02400S	0	Powder Paint (Asa-61 Grey / Smooth)
8	STK-Q-16005	1	Stud M8 x 35 (No Paint Cap Required)
1	STK-Q-16080	0	Ground Stud M6 x 16mm
1	STK-S-00100	0	3.5" x 2" Silver Milar Flexcon Sticker
1	1412BT062504DTB-P	0	1412BT 37" x 72" x 12" Body Part
Parts List			

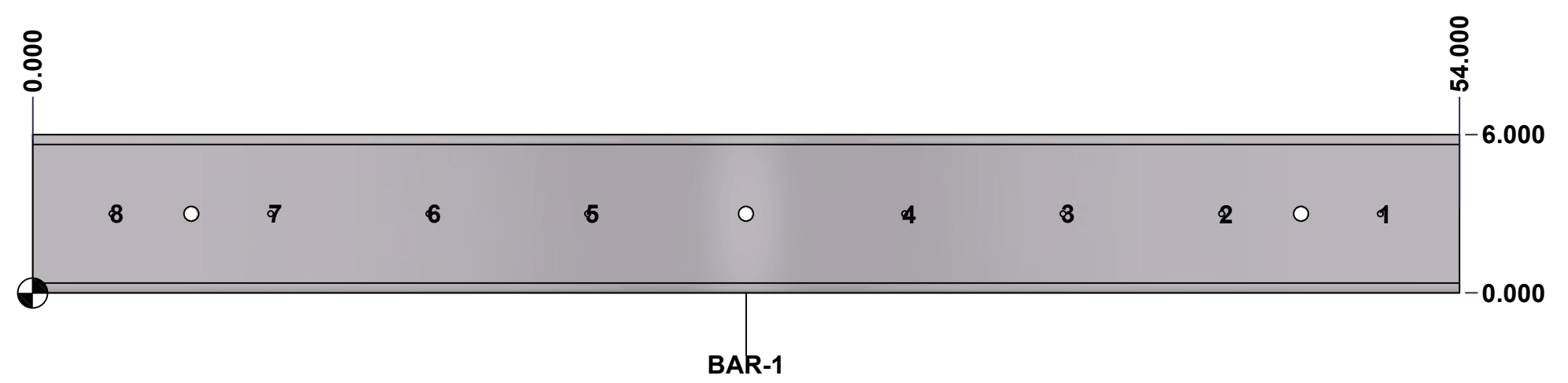
This drawing is confidential and must not be reproduced or used without the consent of Eurobox

Ce dessin est confidentiel et ne doit pas être reproduit ou utilisé sans le consentement de Eurobox

STANDARD FEATURES ARE NOT LISTED IN THIS HOLE TABLE

HOLE TABLE - FRONT VIEW (CUSTOM FEATURE ONLY)

CUT-OUT	XDIM	YDIM	DESCRIPTION
1	51.000	3.000	RND Ø0.201 THREAD 1/4-20 UNC
2	45.000	3.000	RND Ø0.201 THREAD 1/4-20 UNC
3	39.000	3.000	RND Ø0.201 THREAD 1/4-20 UNC
4	33.000	3.000	RND Ø0.201 THREAD 1/4-20 UNC
5	21.000	3.000	RND Ø0.201 THREAD 1/4-20 UNC
6	15.000	3.000	RND Ø0.201 THREAD 1/4-20 UNC
7	9.000	3.000	RND Ø0.201 THREAD 1/4-20 UNC
8	3.000	3.000	RND Ø0.201 THREAD 1/4-20 UNC



	Description	Status
	Rounded Edge Aluminum Bar 3/4" x 6"	(NULL)
	Part Number Numéro Pièce	Rev.
	1412BT062504DTBAR1-P	0 / 7
		15

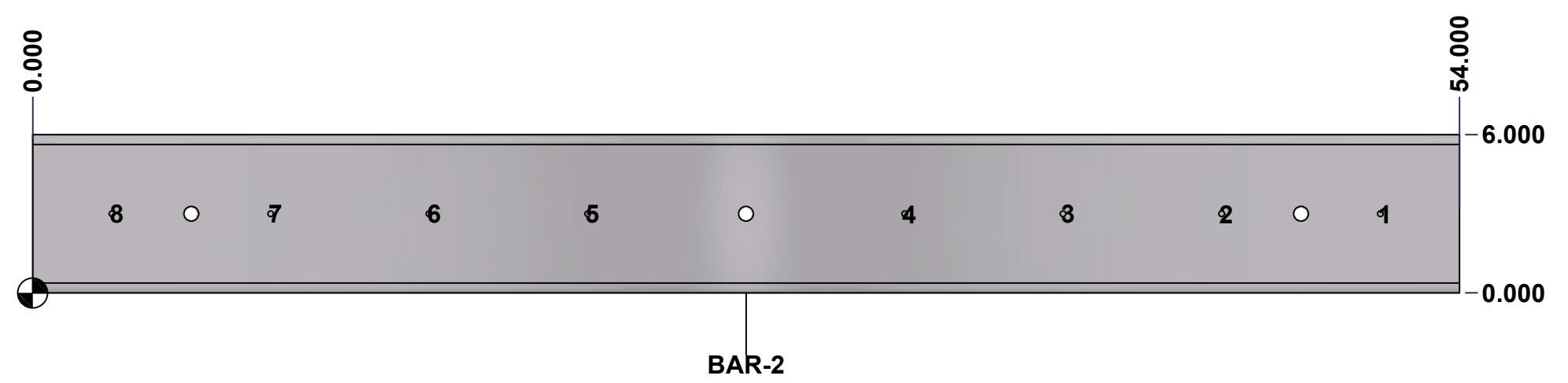
This drawing is confidential and must not be reproduced or used without the consent of Eurobox

Ce dessin est confidentiel et ne doit pas être reproduit ou utilisé sans le consentement de Eurobox

STANDARD FEATURES ARE NOT LISTED IN THIS HOLE TABLE

HOLE TABLE - FRONT VIEW (CUSTOM FEATURE ONLY)

CUT-OUT	XDIM	YDIM	DESCRIPTION
1	51.000	3.000	RND Ø0.201 THREAD 1/4-20 UNC
2	45.000	3.000	RND Ø0.201 THREAD 1/4-20 UNC
3	39.000	3.000	RND Ø0.201 THREAD 1/4-20 UNC
4	33.000	3.000	RND Ø0.201 THREAD 1/4-20 UNC
5	21.000	3.000	RND Ø0.201 THREAD 1/4-20 UNC
6	15.000	3.000	RND Ø0.201 THREAD 1/4-20 UNC
7	9.000	3.000	RND Ø0.201 THREAD 1/4-20 UNC
8	3.000	3.000	RND Ø0.201 THREAD 1/4-20 UNC



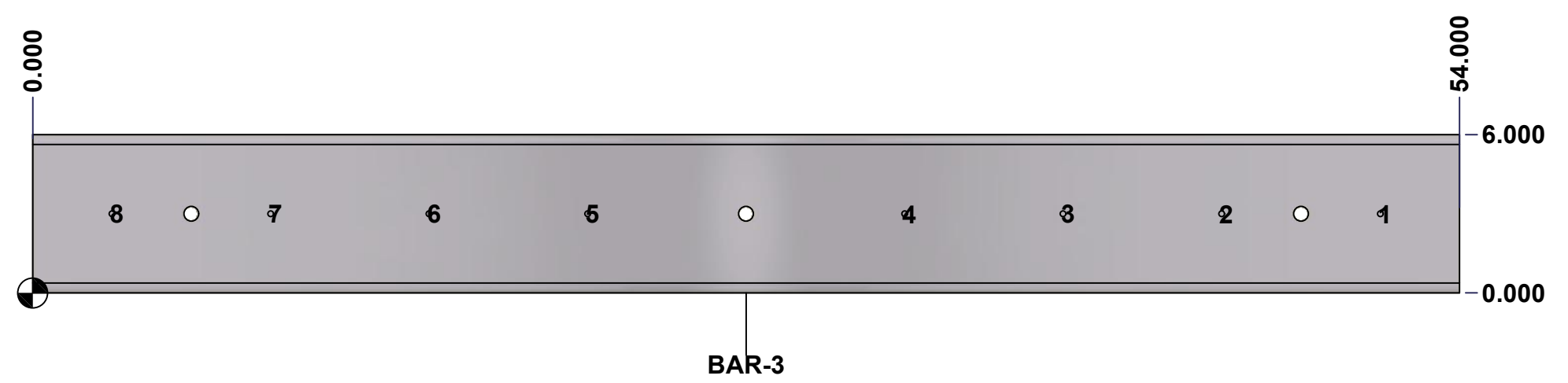
BAR-2

	Description	Status
	Rounded Edge Aluminum Bar 3/4" x 6"	(NULL)
	Part Number Numéro Pièce	Rev.
	1412BT062504DTBAR2-P	0 / 8
		15

This drawing is confidential and must not be reproduced or used without the consent of Eurobox

Ce dessin est confidentiel et ne doit pas être reproduit ou utilisé sans le consentement de Eurobox

STANDARD FEATURES ARE NOT LISTED IN THIS HOLE TABLE			
HOLE TABLE - FRONT VIEW (CUSTOM FEATURE ONLY)			
CUT-OUT	XDIM	YDIM	DESCRIPTION
1	51.000	3.000	RND Ø0.201 THREAD 1/4-20 UNC
2	45.000	3.000	RND Ø0.201 THREAD 1/4-20 UNC
3	39.000	3.000	RND Ø0.201 THREAD 1/4-20 UNC
4	33.000	3.000	RND Ø0.201 THREAD 1/4-20 UNC
5	21.000	3.000	RND Ø0.201 THREAD 1/4-20 UNC
6	15.000	3.000	RND Ø0.201 THREAD 1/4-20 UNC
7	9.000	3.000	RND Ø0.201 THREAD 1/4-20 UNC
8	3.000	3.000	RND Ø0.201 THREAD 1/4-20 UNC

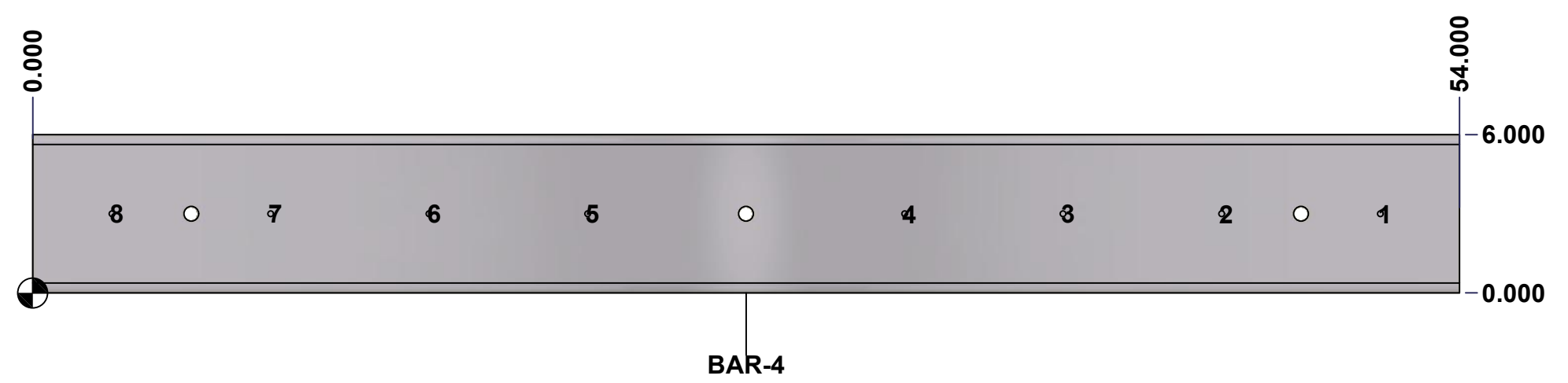


	Description	Status
	Rounded Edge Aluminum Bar 3/4" x 6"	(NULL)
	Part Number Numéro Pièce	Rev.
	1412BT062504DTBAR3-P	0 / 9
		15

This drawing is confidential and must not be reproduced or used without the consent of Eurobox

Ce dessin est confidentiel et ne doit pas être reproduit ou utilisé sans le consentement de Eurobox

STANDARD FEATURES ARE NOT LISTED IN THIS HOLE TABLE			
HOLE TABLE - FRONT VIEW (CUSTOM FEATURE ONLY)			
CUT-OUT	XDIM	YDIM	DESCRIPTION
1	51.000	3.000	RND Ø0.201 THREAD 1/4-20 UNC
2	45.000	3.000	RND Ø0.201 THREAD 1/4-20 UNC
3	39.000	3.000	RND Ø0.201 THREAD 1/4-20 UNC
4	33.000	3.000	RND Ø0.201 THREAD 1/4-20 UNC
5	21.000	3.000	RND Ø0.201 THREAD 1/4-20 UNC
6	15.000	3.000	RND Ø0.201 THREAD 1/4-20 UNC
7	9.000	3.000	RND Ø0.201 THREAD 1/4-20 UNC
8	3.000	3.000	RND Ø0.201 THREAD 1/4-20 UNC



	Description	Status	
	Rounded Edge Aluminum Bar 3/4" x 6"	(NULL)	
	Part Number Numéro Pièce	Rev.	10
	1412BT062504DTBAR4-P	0	15

This drawing is confidential and must not be reproduced or used without the consent of EXM

Ce dessin est confidentiel et ne doit pas être reproduit ou utilisé sans le consentement de EXM



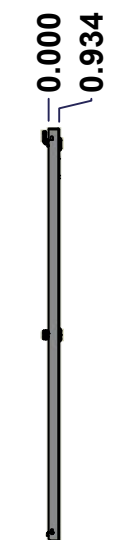
TOP



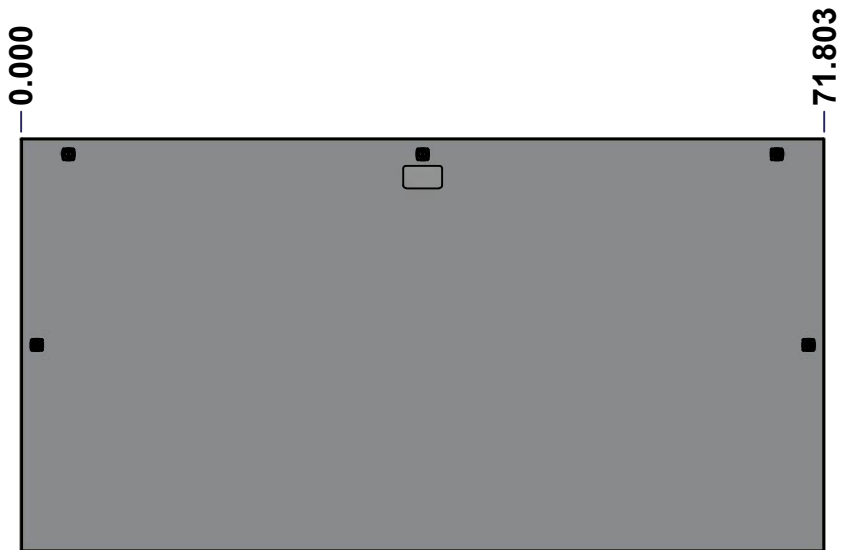
BACK



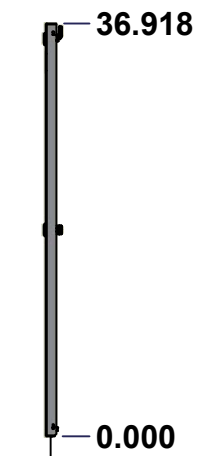
BOTTOM



LEFT



FRONT



RIGHT

0.000
0.934

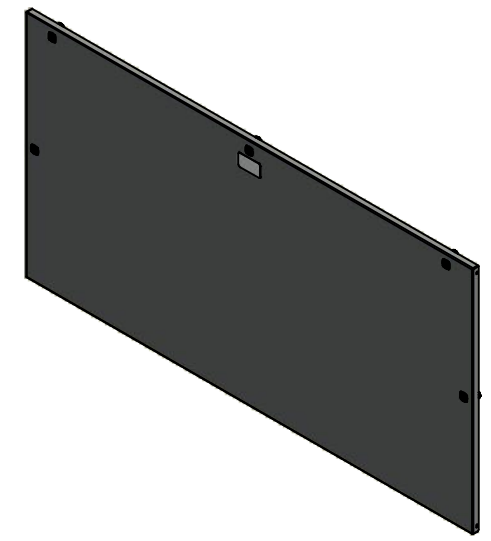
0.000

71.803

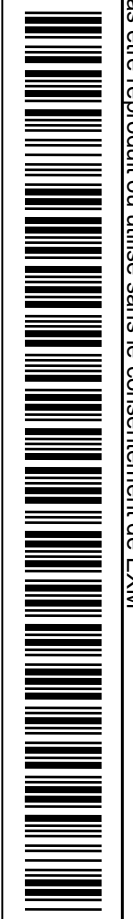
36.918

0.000

No.	Revisions	Date	By/Par



Isometric View



Tél: (450) 979-4373
Fax: (450) 979-4626
www.exmweb.com

Flatness
Aplatissement
Max 3.0mm
Projection

Customer Client	Date
Drawn By / Dessiné Par: BoxCad: BoxCad	Date: 10/6/2022
Material / Matière: 14 Ga Cold Rolled A1008 CS Type B (1.7mm)	

Color / Couleur: Asa-61 Grey	Finish / Fini: Smooth
------------------------------	-----------------------

Description: 1412BT 37" x 72" Cover	Detail Rev.
-------------------------------------	-------------

Part Number / Numéro Pièce: 1412BT062504DTC	Rev. 0	11 / 15
---	--------	---------

SEE BILL OF MATERIAL ON LAST PAGE

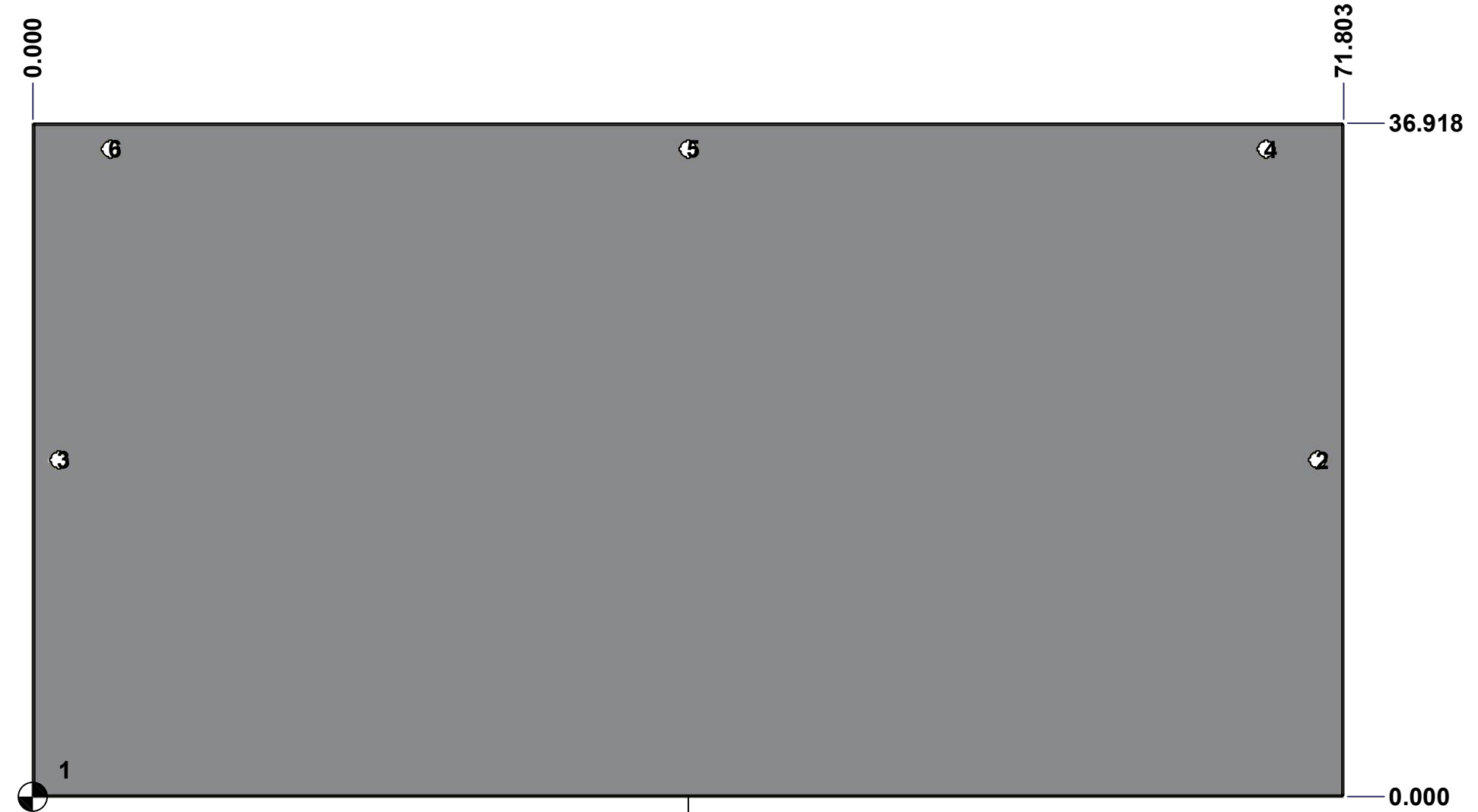
This drawing is confidential and must not be reproduced or used without the consent of Eurobox

Ce dessin est confidentiel et ne doit pas être reproduit ou utilisé sans le consentement de Eurobox

STANDARD FEATURES ARE NOT LISTED IN THIS HOLE TABLE

HOLE TABLE - FRONT VIEW (CUSTOM FEATURE ONLY)

CUT-OUT	XDIM	YDIM	DESCRIPTION
1	1.500	1.486	GND STUD M6 x 16mm (Inside)
2	70.379	18.459	LOCK 880 SCQ4-SL @ 0.0°
3	1.424	18.459	LOCK 880 SCQ4-SL @ 180.0°
4	67.553	35.494	LOCK 880 SCQ4-SL @ 90.0°
5	35.902	35.494	LOCK 880 SCQ4-SL @ 90.0°
6	4.250	35.494	LOCK 880 SCQ4-SL @ 90.0°



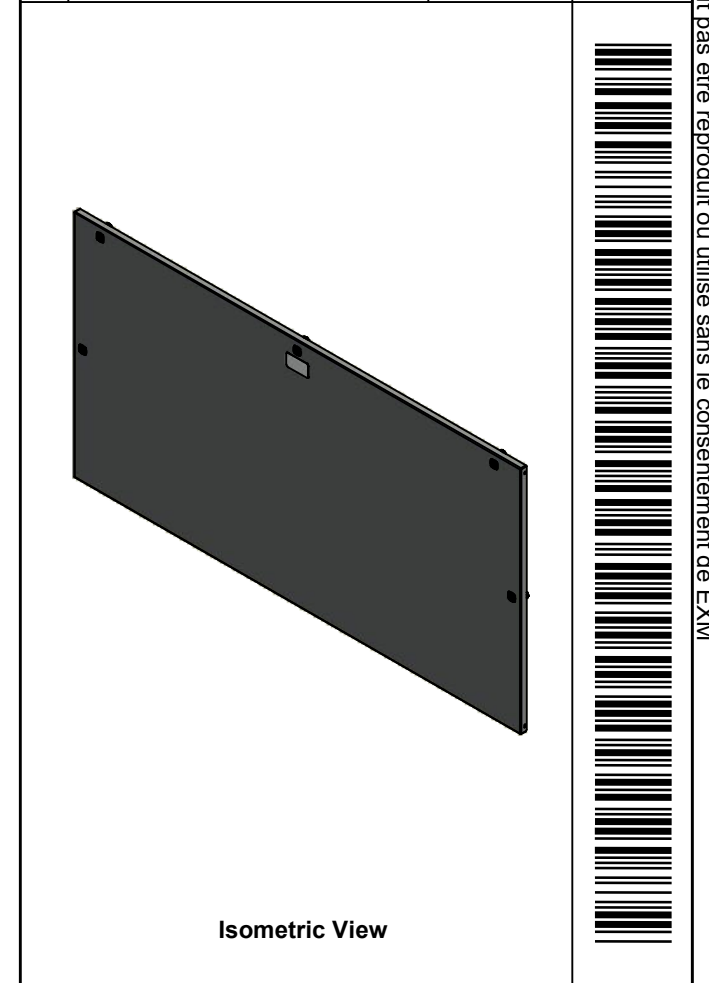
FRONT


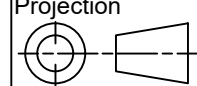
	Description	Status	
	1412BT 37" x 72" Cover	(NULL)	
	Part Number Numéro Pièce	Rev.	12
	1412BT062504DTC	0	15

This drawing is confidential and must not be reproduced or used without the consent of EXM

Ce dessin est confidentiel et ne doit pas être reproduit ou utilisé sans le consentement de EXM

No.	Revisions	Date	By/Par



 Tél: (450) 979-4373 Fax: (450) 979-4626 www.exmweb.com		Flatness Aplatissement Max 3.0mm Projection 
Customer Client	Date	
Drawn By / Dessiné Par: BoxCad: BoxCad	Date: 10/6/2022	
Material / Matière: 14 Ga Cold Rolled A1008 CS Type B (1.7mm)	Color / Couleur: Asa-61 Grey	
Description: 1412BT 37" x 72" Cover		Finish / Fini: Smooth
Part Number / Numéro Pièce: 1412BT062504DTC	Rev.:	13
		15

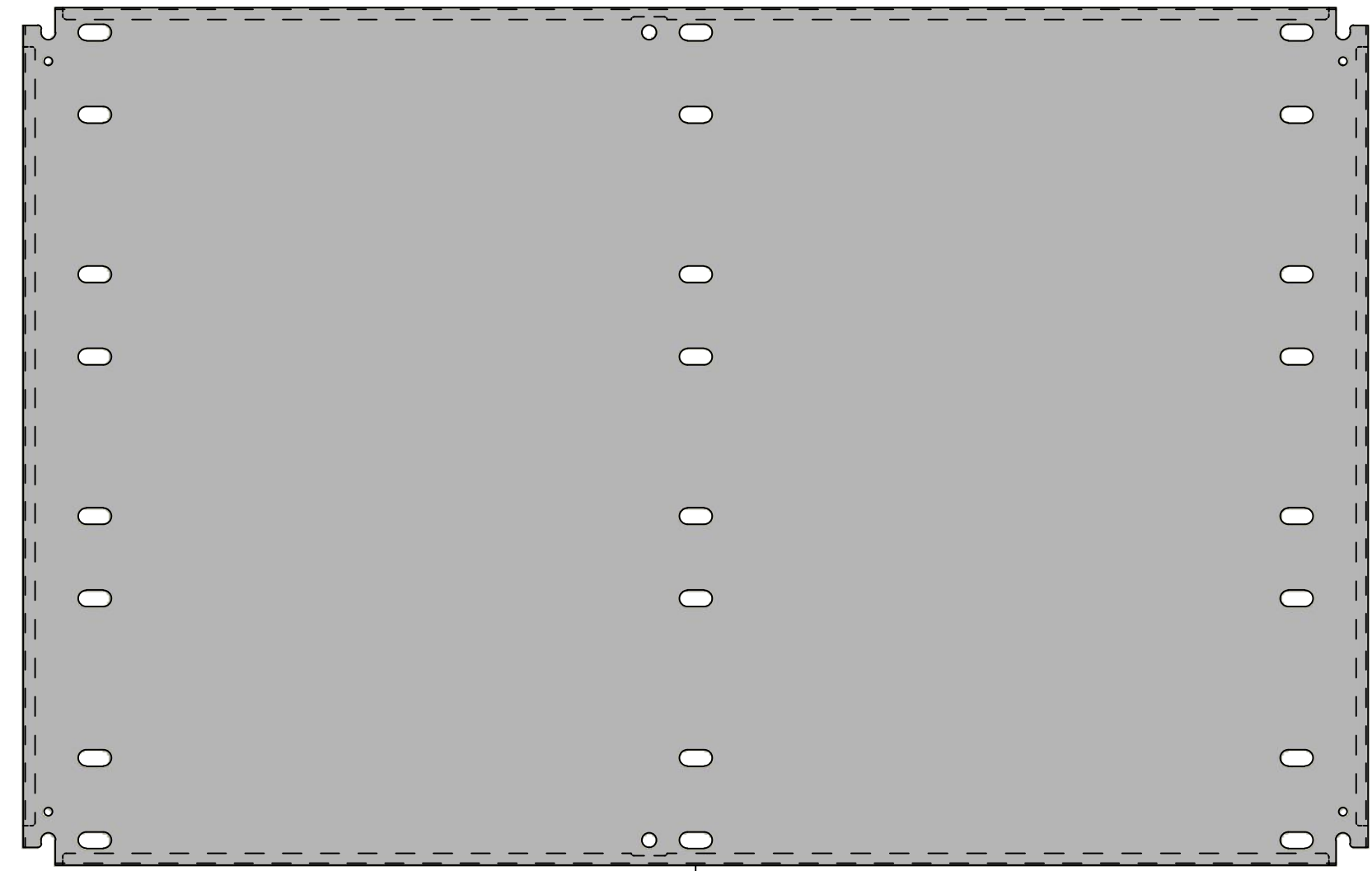
1	1412BT062504DTG	0	1412BT 37" x 72" Cover Gasket
1	STK-P-02400S	0	Powder Paint (Asa-61 Grey / Smooth)
4	STK-K-09800	10	5412 ES Hinge with 2 Captive Hinge Pins
1	STK-Q-16080	0	Ground Stud M6 x 16mm
1	STK-S-00100	0	3.5" x 2" Silver Milar Flexcon Sticker
1	1412BT062504DTC-P	0	1412BT 37" x 72" Cover Part
5	880 SCQ4-SL	6	5412 ES 1/4 Turn Lock
Qty	Part Name	Rev	Description
Parts List			

This drawing is confidential and must not be reproduced or used without the consent of EXM

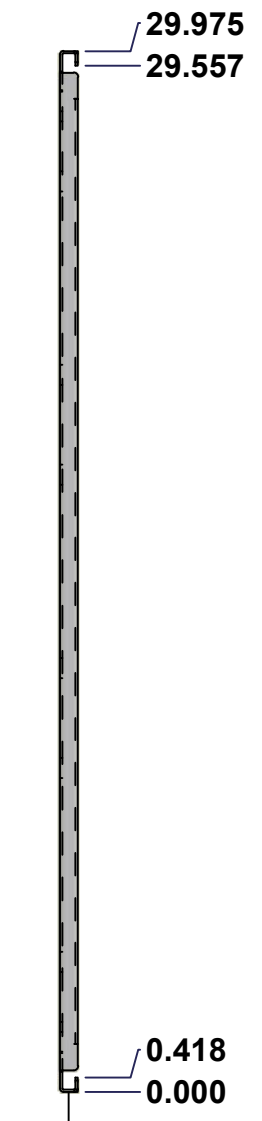
Ce dessin est confidentiel et ne doit pas être reproduit ou utilisé sans le consentement de EXM



TOP

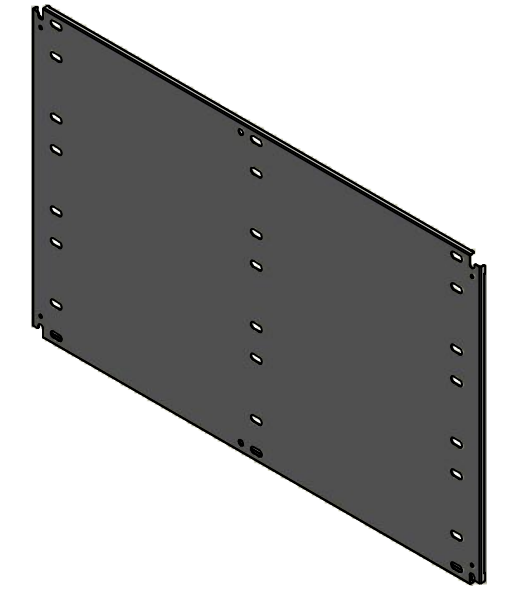


FRONT



RIGHT

No.	Revisions	Date	By/Par



Isometric View



Tel: (450) 979-4373
 Fax: (450) 979-4626
www.exmweb.com

Flatness
Aplatissement
Max 3.0mm
Projection

Customer Client	Date
Drawn By / Dessiné Par: BoxCad: BoxCad	Date: 10/6/2022
Material / Matière: 14 Ga Cold Rolled A1008 CS Type B (1.7mm)	

Color / Couleur: White RAL9003	Finish / Fini: Smooth
--------------------------------	-----------------------

Description: 1412BT 29.975" x 47" Inner Panel	Detail Rev.
---	-------------

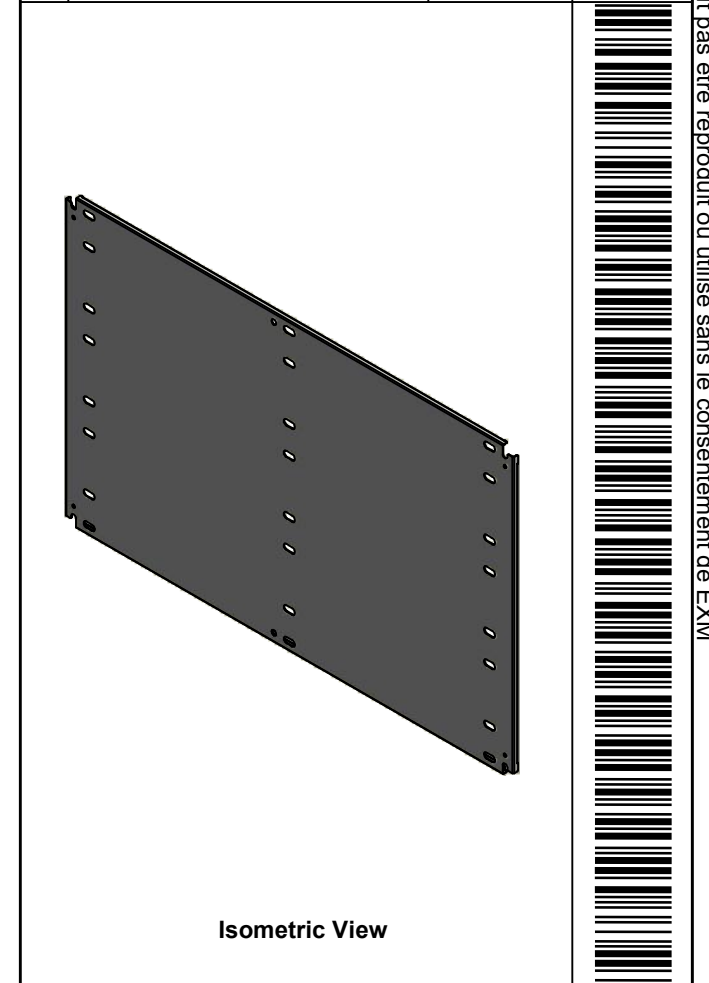
Part Number / Numéro Pièce: 1412BT062504DTIP1	Rev. 0	14	15
---	--------	----	----

SEE BILL OF MATERIAL ON LAST PAGE

This drawing is confidential and must not be reproduced or used without the consent of EXM



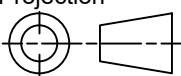
Ce dessin est confidentiel et ne doit pas être reproduit ou utilisé sans le consentement de EXM

No.	Revisions	Date	By/Par



Isometric View



 Tél: (450) 979-4373 Fax: (450) 979-4626 www.exmweb.com		Flatness Aplatissement  Max 3.0mm
Projection 		Date
Customer Client	BoxCad: BoxCad	Date 10/6/2022
Material Matière	14 Ga Cold Rolled A1008 CS Type B (1.7mm)	
Color Couleur	White RAL9003	Finish Fini Smooth
Description		Detail Rev.
1412BT 29.975" x 47" Inner Panel		
Part Number Numéro Pièce	Rev.	15
1412BT062504DTIP1	0	15

Qty	Part Number	Rev	Description
1	STK-P-02401S	0	Powder Paint (White / Smooth)
1	1412BT062504DTIP1-P	0	1412BT 29.975" x 72" Inner Panel Part
Parts List			