

This drawing is confidential and must not be reproduced or used without the consent of EXM

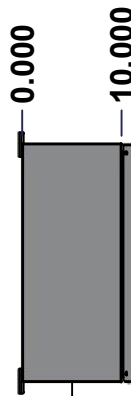
Ce dessin est confidentiel et ne doit pas être reproduit ou utilisé sans le consentement de EXM



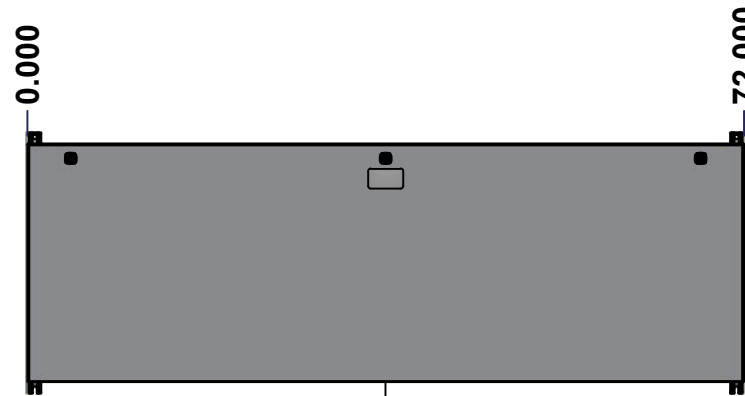
TOP



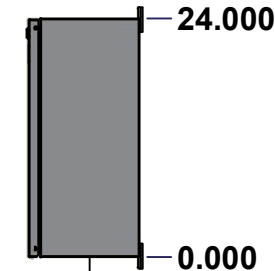
BACK



LEFT



FRONT

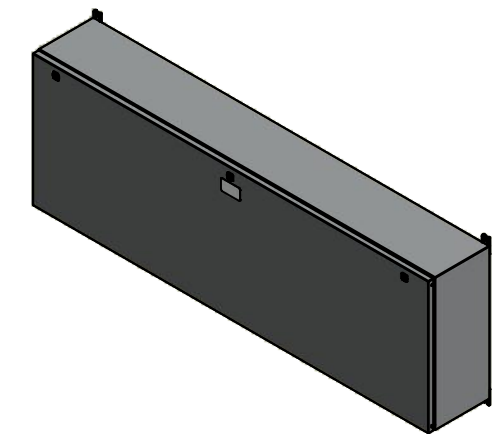


RIGHT



BOTTOM

| No. | Revisions | Date | By/Par |
|-----|-----------|------|--------|
|     |           |      |        |
|     |           |      |        |
|     |           |      |        |
|     |           |      |        |
|     |           |      |        |



Isometric View



Tél: (450) 979-4373  
 Fax: (450) 979-4626  
[www.exmweb.com](http://www.exmweb.com)

Flatness  
Aplatissement

Max 3.0mm

Projection



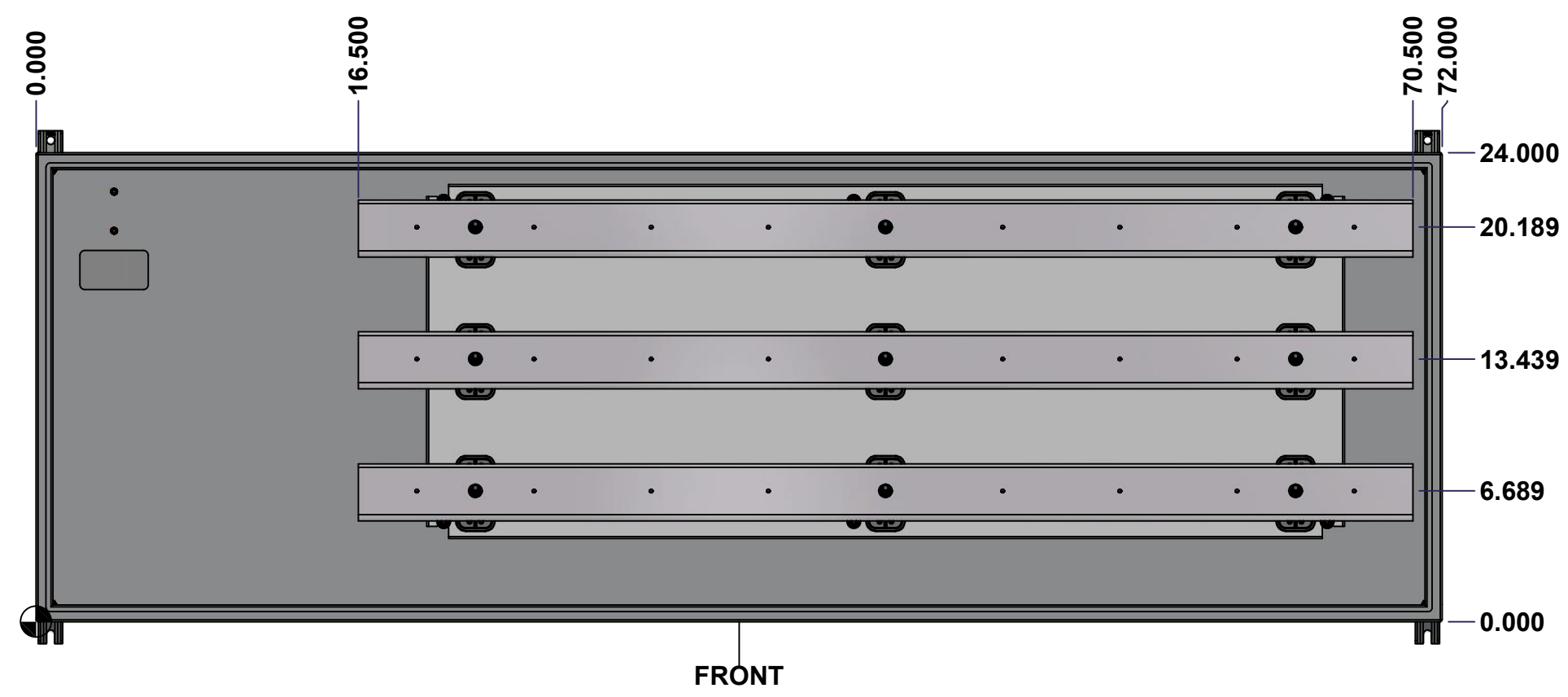
|   |                       |
|---|-----------------------|
| Customer Client   | Date                  |
| Drawn By<br>Dessiné Par BoxCad: BoxCad                        | Date 2022-10-03       |
| Material<br>Matière 14 Ga Cold Rolled A1008 CS Type B (1.7mm) |                       |
| Color<br>Couleur Asa-61 Grey                                  | Finish<br>Fini Smooth |
| Description<br>1412BT 800A - 3Wires x 72" Assembly            | Detail Rev.           |
| Part Number<br>Numéro Pièce <b>1412BT06803DT</b>              | Rev. <b>0</b>         |
|   | 1 / 14                |

SEE BILL OF MATERIAL ON LAST PAGE

This drawing is confidential and must not be reproduced or used without the consent of Eurobox

**STANDARD FEATURES ARE NOT LISTED IN THIS HOLE TABLE**

Ce dessin est confidentiel et ne doit pas être reproduit ou utilisé sans le consentement de Eurobox



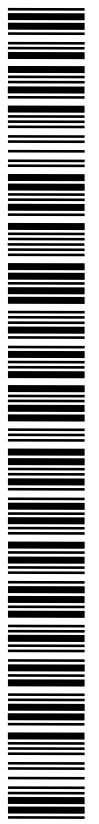
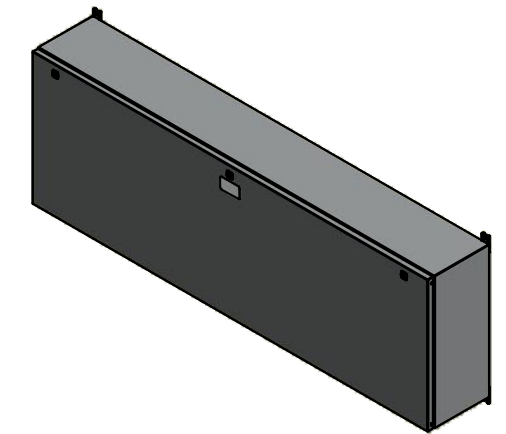
|  |                                     |          |         |
|--|-------------------------------------|----------|---------|
|  | Description                         | Status   |         |
|  | 1412BT 800A - 3Wires x 72" Assembly | (NULL)   |         |
|  | Part Number<br>Numéro Pièce         | Rev.     |         |
|  | <b>1412BT06803DT</b>                | <b>0</b> | 2<br>14 |

This drawing is confidential and must not be reproduced or used without the consent of EXM

Ce dessin est confidentiel et ne doit pas être reproduit ou utilisé sans le consentement de EXM

| NOTE |  |
|------|--|
| ITEM | DESCRIPTION                                |
| 1    | NEMA 4/12 Enclosure                        |
| 2    | C/W Standard ground studs on box and cover |
| 3    | W/O Standard door stiffener                |
| 4    | C/W Special inner panel (Sold separately)  |
| 5    | C/W Standard inner panel mounting studs    |

| No. | Revisions | Date | By/Par |
|-----|-----------|------|--------|
|     |           |      |        |
|     |           |      |        |
|     |           |      |        |
|     |           |      |        |
|     |           |      |        |



Isometric View

| PACKING               |     |  |
|-----------------------|-----|--|
| ITEM                  | QTY | DESCRIPTION                                    |
| Cardboard sleeve      | 2   | Top and Bottom                                 |
| Cardboard strip       | 2   | Between back of enclosure and inner panel      |
| Plastic bag           | 1   | To protect cover surface and inside gasket     |
| Cardboard corner      | 4   | To reinforced for the plastic strap tightening |
| Plastic strap - Black | 2   | To Squeeze 2 cardboard sleeve together         |
| Packaging label       | 3   | White label with PN                            |
| Plastic strap- Green  | 2   | To secure the enclosure to the wood pallet     |
| Wood Pallet           | 1   | 2" deeper and 3" larger than enclosure size    |

|            |                     |     |  |
|------------|---------------------|-----|--|
| 1          | 885 ESMF1           | 0   | 885 ESMF1 Mounting Feet Kit                            |
| 1          | 1412BT06803DTBAR1-P | 0   | Rounded Edge Aluminum Bar 1/2" x 3"                    |
| 1          | 1412BT06803DTBAR2-P | 0   | Rounded Edge Aluminum Bar 1/2" x 3"                    |
| 1          | 1412BT06803DTBAR3-P | 0   | Rounded Edge Aluminum Bar 1/2" x 3"                    |
| 1          | 1412BT06803DTIP1    | 0   | 1412BT 18.125" x 47" Inner Panel                       |
| 9          | STK-A-67400         | 0   | Buss Bar Insulator Kit                                 |
| 1          | STK-K-01800         | 5   | 5412 ES Accessory Kit                                  |
| 4          | STK-Q-04050-07      | 7   | M6 x 7mm Hexagon Socket Head Machine Screw with Nyseal |
| 15         | STK-Q-07310         | 2   | Flange Lock Nut M8                                     |
| 6          | STK-Q-07610         | 8   | M8 Plastic Spacer 22.2mm                               |
| 1          | 1412BT06803DTB      | 0   | 1412BT 24" x 72" x 10" Body                            |
| 1          | 1412BT06803DTC      | 0   | 1412BT 24" x 72" Cover                                 |
| Qty        | Part Number         | Rev | Description  |
| Parts List |                     |     |  |

|   |  |  |
|---|--|--|
|   | Tél: (450) 979-4373<br>Fax: (450) 979-4626<br><a href="http://www.exmweb.com">www.exmweb.com</a> | Flatness<br>Aplatissement<br>Max 3.0mm |
|   | Projection<br>   | Customer<br>Client                     |
| Drawn By<br>Dessiné Par                             | BoxCad: BoxCad   | Date<br>2022-10-03                     |
| Material<br>Matière                                 | 14 Ga Cold Rolled A1008 CS Type B (1.7mm)  |  |
| Color<br>Couleur                                    | Asa-61 Grey  | Finish<br>Fini<br>Smooth               |
| Description<br>1412BT 800A - 3Wires x 72" Assembly  | Detail Rev.  |  |
| Part Number<br>Numéro Pièce<br><b>1412BT06803DT</b> | Rev.<br><b>0</b>   | 3<br>14                                |

This drawing is confidential and must not be reproduced or used without the consent of EXM

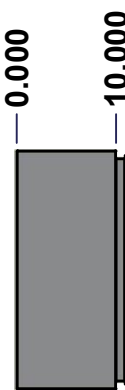
Ce dessin est confidentiel et ne doit pas être reproduit ou utilisé sans le consentement de EXM



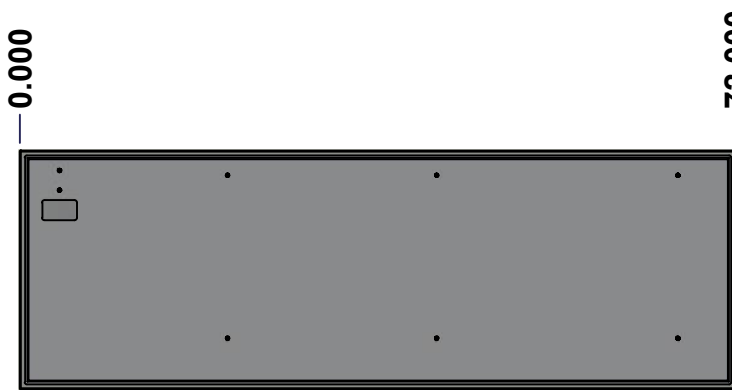
TOP



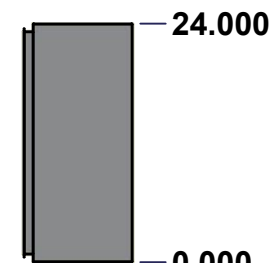
BACK



LEFT



FRONT

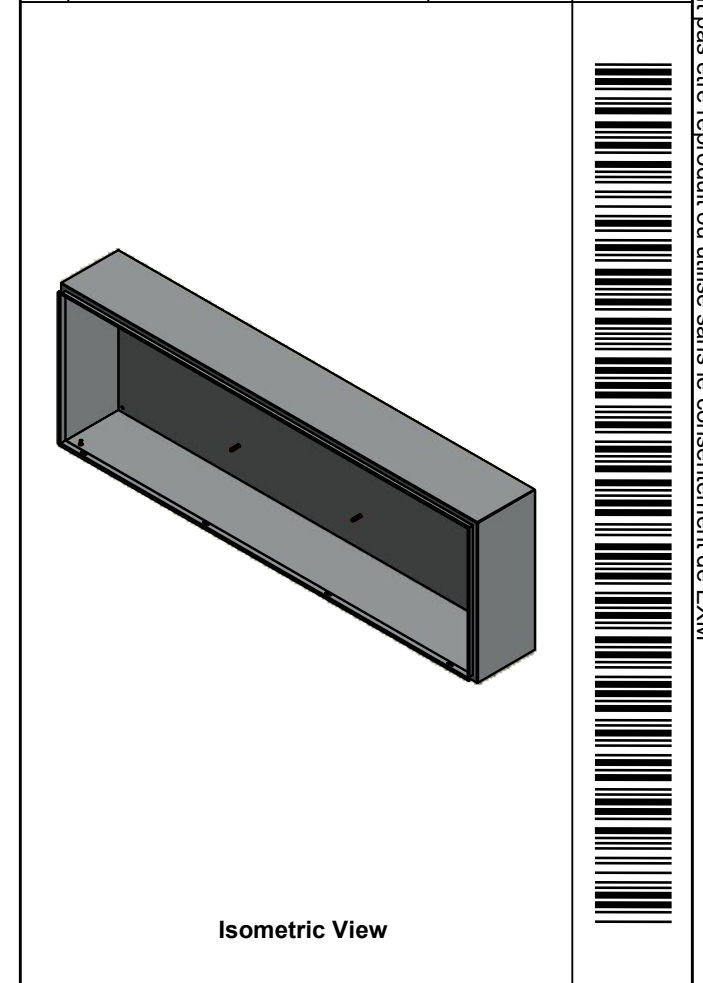



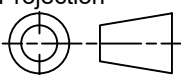
RIGHT



BOTTOM

| No. | Revisions | Date | By/Par |
|-----|-----------|------|--------|
|     |           |      |        |
|     |           |      |        |
|     |           |      |        |
|     |           |      |        |
|     |           |      |        |



|  |   |   |
|--|---|---|
|  Tél: (450) 979-4373<br>Fax: (450) 979-4626<br><a href="http://www.exmweb.com">www.exmweb.com</a> |   | Flatness<br>Aplatissement<br>Max 3.0mm<br>Projection<br> |
| Customer Client  | Date                                      |   |
| Drawn By<br>Dessiné Par  | BoxCad: BoxCad                            | Date 2022-10-03   |
| Material<br>Matière  | 14 Ga Cold Rolled A1008 CS Type B (1.7mm) |   |
| Color<br>Couleur   | Asa-61 Grey                               | Finish<br>Fini Smooth   |
| Description  | Detail Rev.                               |   |
| 1412BT 24" x 72" x 10" Body  |   |   |
| Part Number<br>Numéro Pièce  | Rev.                                      | 4   |
| 1412BT06803DTB   | 0   | 14  |

SEE BILL OF MATERIAL ON LAST PAGE

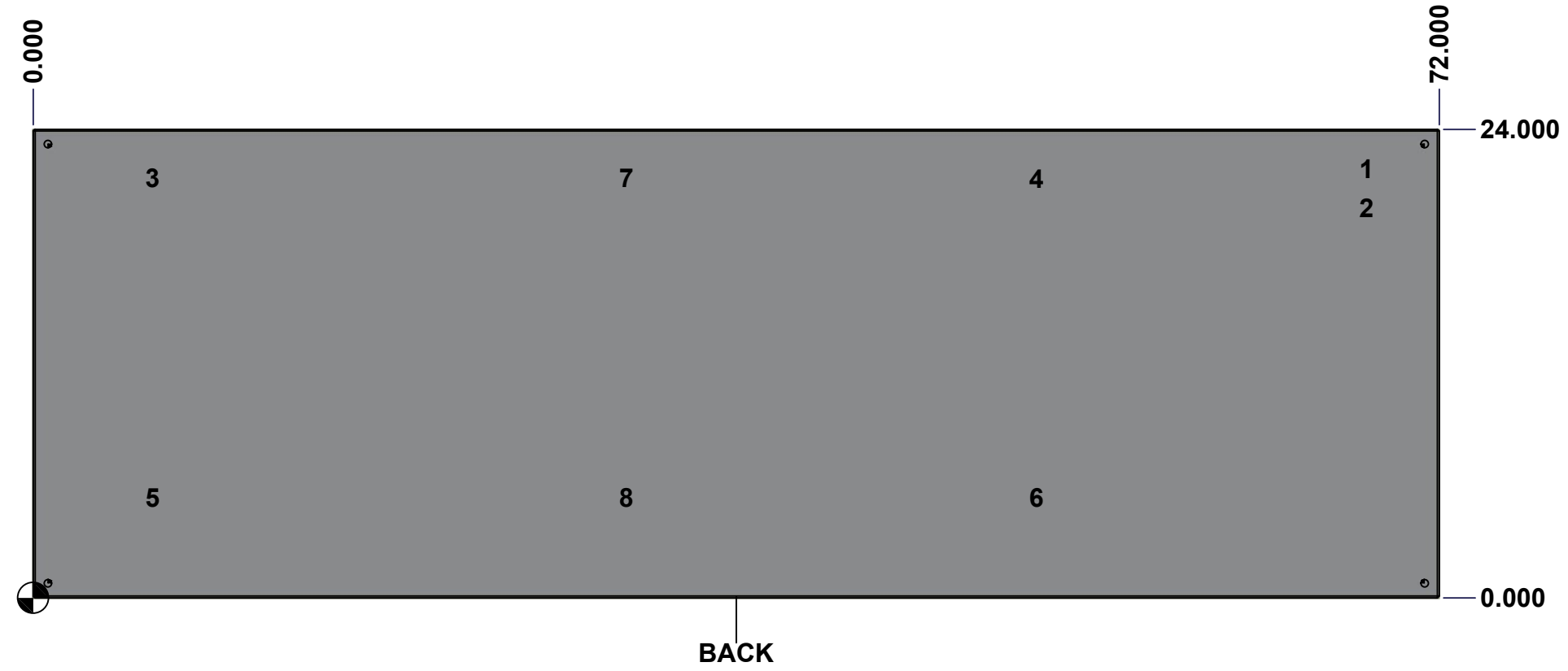
This drawing is confidential and must not be reproduced or used without the consent of Eurobox

Ce dessin est confidentiel et ne doit pas être reproduit ou utilisé sans le consentement de Eurobox

**STANDARD FEATURES ARE NOT LISTED IN THIS HOLE TABLE**

**HOLE TABLE - BACK VIEW (CUSTOM FEATURE ONLY)**

| CUT-OUT | XDIM   | YDIM   | DESCRIPTION                 |
|---------|--------|--------|-----------------------------|
| 1       | 68.000 | 22.000 | GND STUD M8 x 35mm (Inside) |
| 2       | 68.000 | 20.000 | GND STUD M8 x 35mm (Inside) |
| 3       | 5.875  | 21.500 | IP STUD M8 x 35mm (Inside)  |
| 4       | 51.125 | 21.500 | IP STUD M8 x 35mm (Inside)  |
| 5       | 5.875  | 5.125  | IP STUD M8 x 35mm (Inside)  |
| 6       | 51.125 | 5.125  | IP STUD M8 x 35mm (Inside)  |
| 7       | 30.125 | 21.500 | IP STUD M8 x 35mm (Inside)  |
| 8       | 30.125 | 5.125  | IP STUD M8 x 35mm (Inside)  |

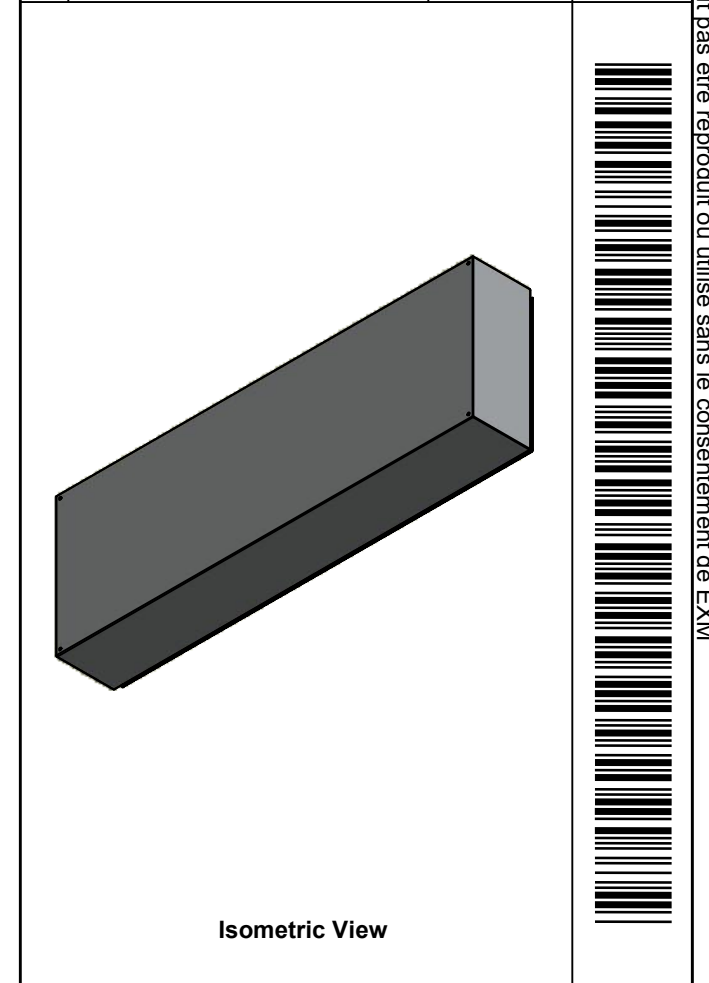



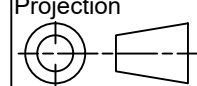
|  |  |                         |
|--|--|-------------------------|
|  | Description<br>1412BT 24" x 72" x 10" Body           | Status<br>(NULL)        |
|  | Part Number<br>Numéro Pièce<br><b>1412BT06803DTB</b> | Rev. 5<br><b>0</b> / 14 |

This drawing is confidential and must not be reproduced or used without the consent of EXM

Ce dessin est confidentiel et ne doit pas être reproduit ou utilisé sans le consentement de EXM

| No. | Revisions | Date | By/Par |
|-----|-----------|------|--------|
|     |           |      |        |
|     |           |      |        |
|     |           |      |        |
|     |           |      |        |
|     |           |      |        |



|  |                       |   |
|--|-----------------------|---|
|  Tél: (450) 979-4373<br>Fax: (450) 979-4626<br><a href="http://www.exmweb.com">www.exmweb.com</a> |                       | Flatness<br>Aplatissement<br>Max 3.0mm<br>Projection<br> |
| Customer Client  | Date                  |   |
| Drawn By / Dessiné Par: BoxCad: BoxCad   | Date: 2022-10-03      |   |
| Material / Matière: 14 Ga Cold Rolled A1008 CS Type B (1.7mm)  |                       |   |
| Color / Couleur: Asa-61 Grey   | Finish / Fini: Smooth |   |
| Description: 1412BT 24" x 72" x 10" Body   |                       | Detail Rev.   |
| Part Number / Numéro Pièce: <b>1412BT06803DTB</b>  | Rev.:                 | 6 / 14  |

| Qty        | Part Number      | Rev | Description                            |
|------------|------------------|-----|--|
| 1          | STK-P-02400S     | 0   | Powder Paint (Asa-61 Grey / Smooth)    |
| 8          | STK-Q-16005      | 1   | Stud M8 x 35 (No Paint Cap Required)   |
| 1          | STK-Q-16080      | 0   | Ground Stud M6 x 16mm                  |
| 1          | STK-S-00100      | 0   | 3.5" x 2" Silver Milar Flexcon Sticker |
| 1          | 1412BT06803DTB-P | 0   | 1412BT 24" x 72" x 10" Body Part       |
| Parts List |                  |     |  |

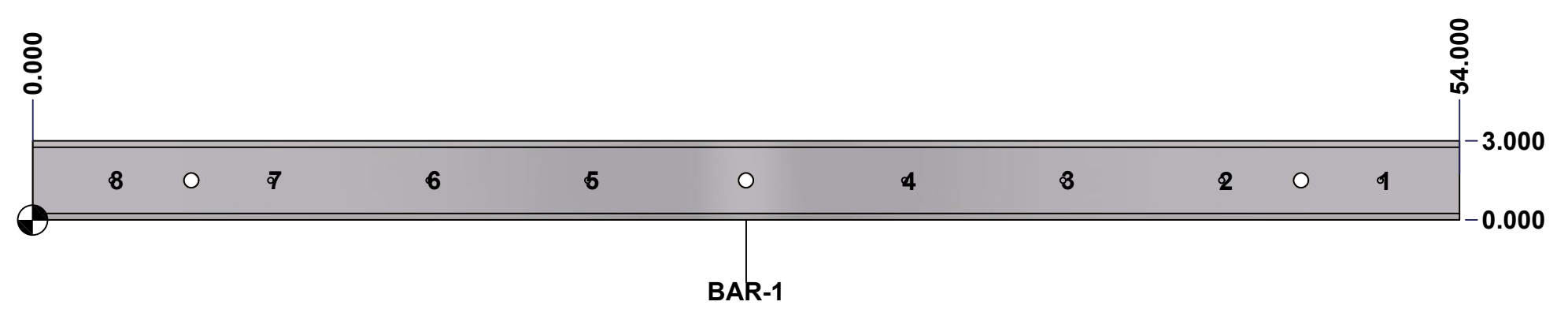
This drawing is confidential and must not be reproduced or used without the consent of Eurobox

Ce dessin est confidentiel et ne doit pas être reproduit ou utilisé sans le consentement de Eurobox

**STANDARD FEATURES ARE NOT LISTED IN THIS HOLE TABLE**

**HOLE TABLE - FRONT VIEW (CUSTOM FEATURE ONLY)**

| CUT-OUT | XDIM   | YDIM  | DESCRIPTION                  |
|---------|--------|-------|------------------------------|
| 1       | 51.000 | 1.500 | RND Ø0.201 THREAD 1/4-20 UNC |
| 2       | 45.000 | 1.500 | RND Ø0.201 THREAD 1/4-20 UNC |
| 3       | 39.000 | 1.500 | RND Ø0.201 THREAD 1/4-20 UNC |
| 4       | 33.000 | 1.500 | RND Ø0.201 THREAD 1/4-20 UNC |
| 5       | 21.000 | 1.500 | RND Ø0.201 THREAD 1/4-20 UNC |
| 6       | 15.000 | 1.500 | RND Ø0.201 THREAD 1/4-20 UNC |
| 7       | 9.000  | 1.500 | RND Ø0.201 THREAD 1/4-20 UNC |
| 8       | 3.000  | 1.500 | RND Ø0.201 THREAD 1/4-20 UNC |



|                             |                                     |          |        |
|-----------------------------|-------------------------------------|----------|--------|
|                             | Description                         |          | Status |
|                             | Rounded Edge Aluminum Bar 1/2" x 3" |          | (NULL) |
| Part Number<br>Numéro Pièce |                                     | Rev.     | 7      |
| <b>1412BT06803DTBAR1-P</b>  |                                     | <b>0</b> | 14     |

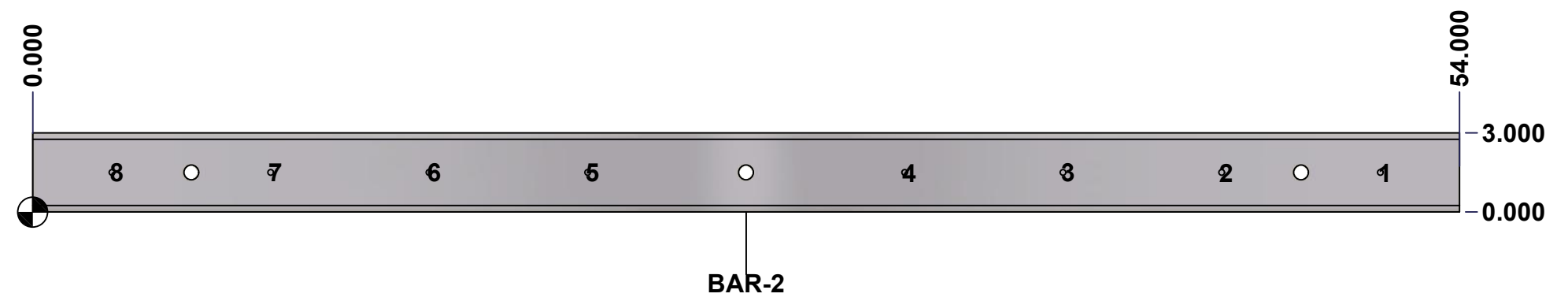
This drawing is confidential and must not be reproduced or used without the consent of Eurobox

Ce dessin est confidentiel et ne doit pas être reproduit ou utilisé sans le consentement de Eurobox

**STANDARD FEATURES ARE NOT LISTED IN THIS HOLE TABLE**

**HOLE TABLE - FRONT VIEW (CUSTOM FEATURE ONLY)**

| CUT-OUT | XDIM   | YDIM  | DESCRIPTION                  |
|---------|--------|-------|------------------------------|
| 1       | 51.000 | 1.500 | RND Ø0.201 THREAD 1/4-20 UNC |
| 2       | 45.000 | 1.500 | RND Ø0.201 THREAD 1/4-20 UNC |
| 3       | 39.000 | 1.500 | RND Ø0.201 THREAD 1/4-20 UNC |
| 4       | 33.000 | 1.500 | RND Ø0.201 THREAD 1/4-20 UNC |
| 5       | 21.000 | 1.500 | RND Ø0.201 THREAD 1/4-20 UNC |
| 6       | 15.000 | 1.500 | RND Ø0.201 THREAD 1/4-20 UNC |
| 7       | 9.000  | 1.500 | RND Ø0.201 THREAD 1/4-20 UNC |
| 8       | 3.000  | 1.500 | RND Ø0.201 THREAD 1/4-20 UNC |



|  |  |          |    |
|--|--|----------|----|
|  | Description                                | Status   |    |
|  | Rounded Edge Aluminum Bar 1/2" x 3"        | (NULL)   |    |
|  | Part Number                                | Rev.     | 8  |
|  | Numéro Pièce<br><b>1412BT06803DTBAR2-P</b> | <b>0</b> | 14 |



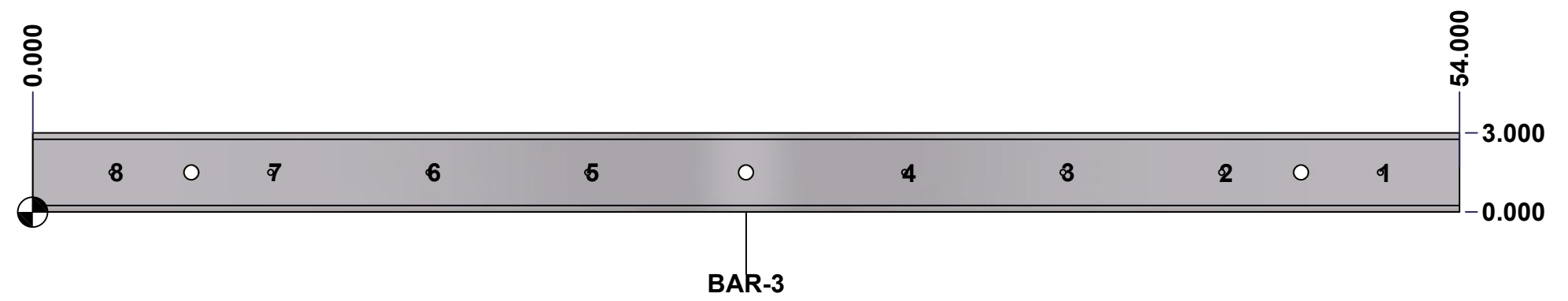
This drawing is confidential and must not be reproduced or used without the consent of Eurobox

Ce dessin est confidentiel et ne doit pas être reproduit ou utilisé sans le consentement de Eurobox

**STANDARD FEATURES ARE NOT LISTED IN THIS HOLE TABLE**

**HOLE TABLE - FRONT VIEW (CUSTOM FEATURE ONLY)**

| CUT-OUT | XDIM   | YDIM  | DESCRIPTION                  |
|---------|--------|-------|------------------------------|
| 1       | 51.000 | 1.500 | RND Ø0.201 THREAD 1/4-20 UNC |
| 2       | 45.000 | 1.500 | RND Ø0.201 THREAD 1/4-20 UNC |
| 3       | 39.000 | 1.500 | RND Ø0.201 THREAD 1/4-20 UNC |
| 4       | 33.000 | 1.500 | RND Ø0.201 THREAD 1/4-20 UNC |
| 5       | 21.000 | 1.500 | RND Ø0.201 THREAD 1/4-20 UNC |
| 6       | 15.000 | 1.500 | RND Ø0.201 THREAD 1/4-20 UNC |
| 7       | 9.000  | 1.500 | RND Ø0.201 THREAD 1/4-20 UNC |
| 8       | 3.000  | 1.500 | RND Ø0.201 THREAD 1/4-20 UNC |



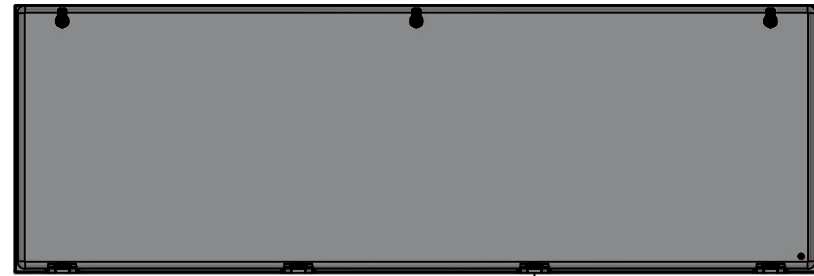
|  |                                     |              |
|--|-------------------------------------|--------------|
|  | Description                         | Status       |
|  | Rounded Edge Aluminum Bar 1/2" x 3" | (NULL)       |
|  | Part Number<br>Numéro Pièce         | Rev.         |
|  | <b>1412BT06803DTBAR3-P</b>          | <b>0</b> / 9 |
|  |                                     | 14           |

This drawing is confidential and must not be reproduced or used without the consent of EXM

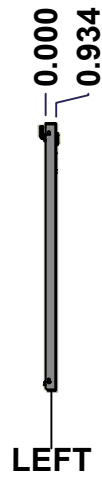
Ce dessin est confidentiel et ne doit pas être reproduit ou utilisé sans le consentement de EXM



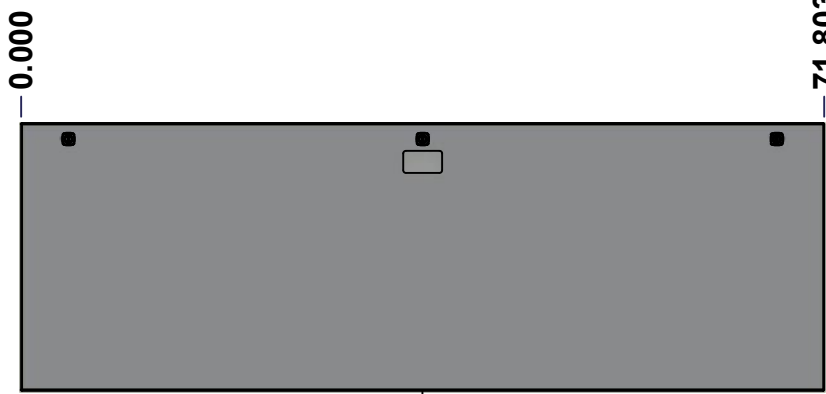
TOP



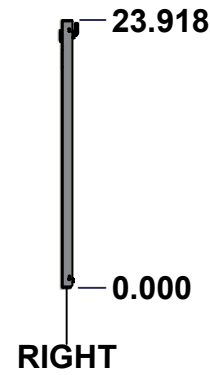
BACK



LEFT



FRONT

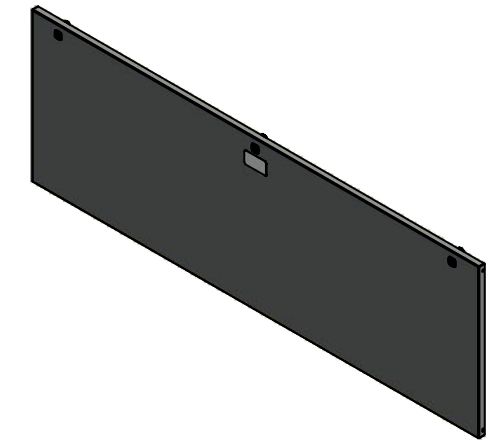


RIGHT



BOTTOM

| No. | Revisions | Date | By/Par |
|-----|-----------|------|--------|
|     |           |      |        |
|     |           |      |        |
|     |           |      |        |
|     |           |      |        |



Isometric View

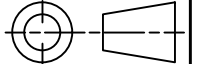


Tél: (450) 979-4373  
 Fax: (450) 979-4626  
[www.exmweb.com](http://www.exmweb.com)

Flatness  
Aplatissement

Max 3.0mm

Projection



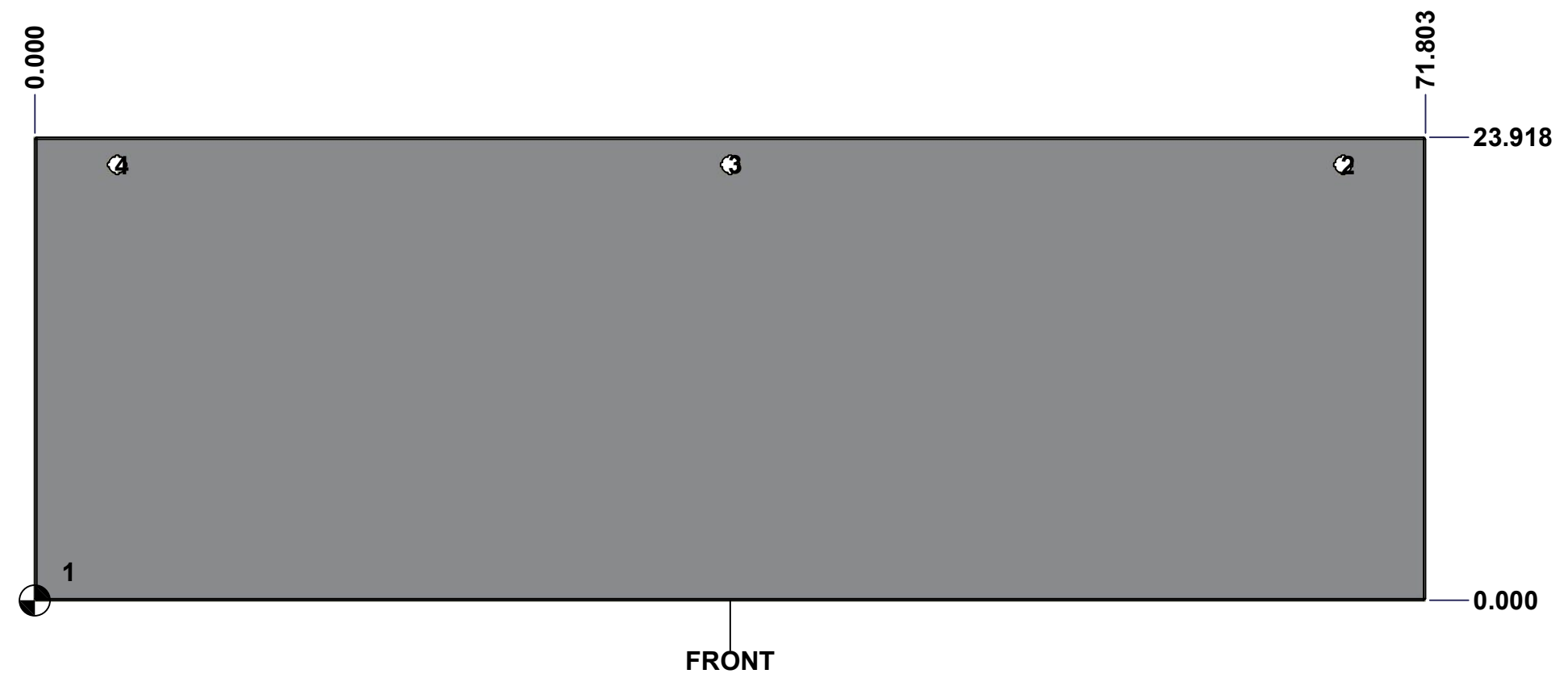
|   |                       |
|---|-----------------------|
| Customer Client   | Date                  |
| Drawn By / Dessiné Par: BoxCad: BoxCad                        | Date: 2022-10-03      |
| Material / Matière: 14 Ga Cold Rolled A1008 CS Type B (1.7mm) |                       |
| Color / Couleur: Asa-61 Grey                                  | Finish / Fini: Smooth |
| Description: 1412BT 24" x 72" Cover                           | Detail Rev.           |
| Part Number / Numéro Pièce: 1412BT06803DTC                    | Rev. 10               |
|   | 0                     |

SEE BILL OF MATERIAL ON LAST PAGE

This drawing is confidential and must not be reproduced or used without the consent of Eurobox

Ce dessin est confidentiel et ne doit pas être reproduit ou utilisé sans le consentement de Eurobox

| STANDARD FEATURES ARE NOT LISTED IN THIS HOLE TABLE |        |        |                             |
|---|--------|--------|-----------------------------|
| HOLE TABLE - FRONT VIEW (CUSTOM FEATURE ONLY)       |        |        |                             |
| CUT-OUT   | XDIM   | YDIM   | DESCRIPTION                 |
| 1   | 1.500  | 1.486  | GND STUD M6 x 16mm (Inside) |
| 2   | 67.553 | 22.494 | LOCK 880 SCQ4-SL @ 90.0°    |
| 3   | 35.902 | 22.494 | LOCK 880 SCQ4-SL @ 90.0°    |
| 4   | 4.250  | 22.494 | LOCK 880 SCQ4-SL @ 90.0°    |

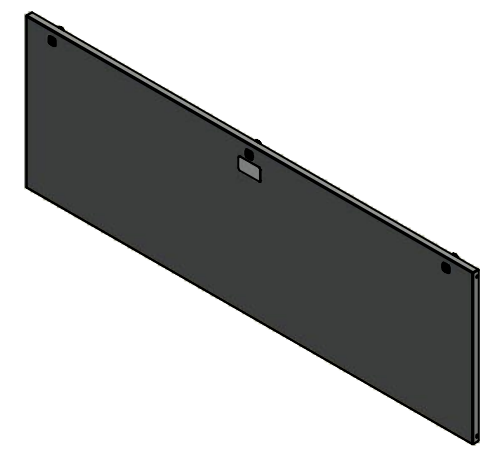


|  |  |                  |
|--|--|------------------|
|  | Description<br>1412BT 24" x 72" Cover                | Status<br>(NULL) |
|  | Part Number<br>Numéro Pièce<br><b>1412BT06803DTC</b> | Rev. 0           |

This drawing is confidential and must not be reproduced or used without the consent of EXM

Ce dessin est confidentiel et ne doit pas être reproduit ou utilisé sans le consentement de EXM

| No. | Revisions | Date | By/Par |
|-----|-----------|------|--------|
|     |           |      |        |
|     |           |      |        |
|     |           |      |        |
|     |           |      |        |
|     |           |      |        |



Isometric View



Tél: (450) 979-4373  
 Fax: (450) 979-4626  
[www.exmweb.com](http://www.exmweb.com)

Flatness  
Aplatissement  
Max 3.0mm  
Projection

|  |                  |
|--|------------------|
| Customer Client                        | Date             |
| Drawn By / Dessiné Par: BoxCad: BoxCad | Date: 2022-10-03 |

Material / Matière: 14 Ga Cold Rolled A1008 CS Type B (1.7mm)

|                              |                       |
|------------------------------|-----------------------|
| Color / Couleur: Asa-61 Grey | Finish / Fini: Smooth |
|------------------------------|-----------------------|

Description: 1412BT 24" x 72" Cover  
 Detail Rev.

|   |        |         |
|---|--------|---------|
| Part Number / Numéro Pièce: <b>1412BT06803DTC</b> | Rev. 0 | 12 / 14 |
|---|--------|---------|

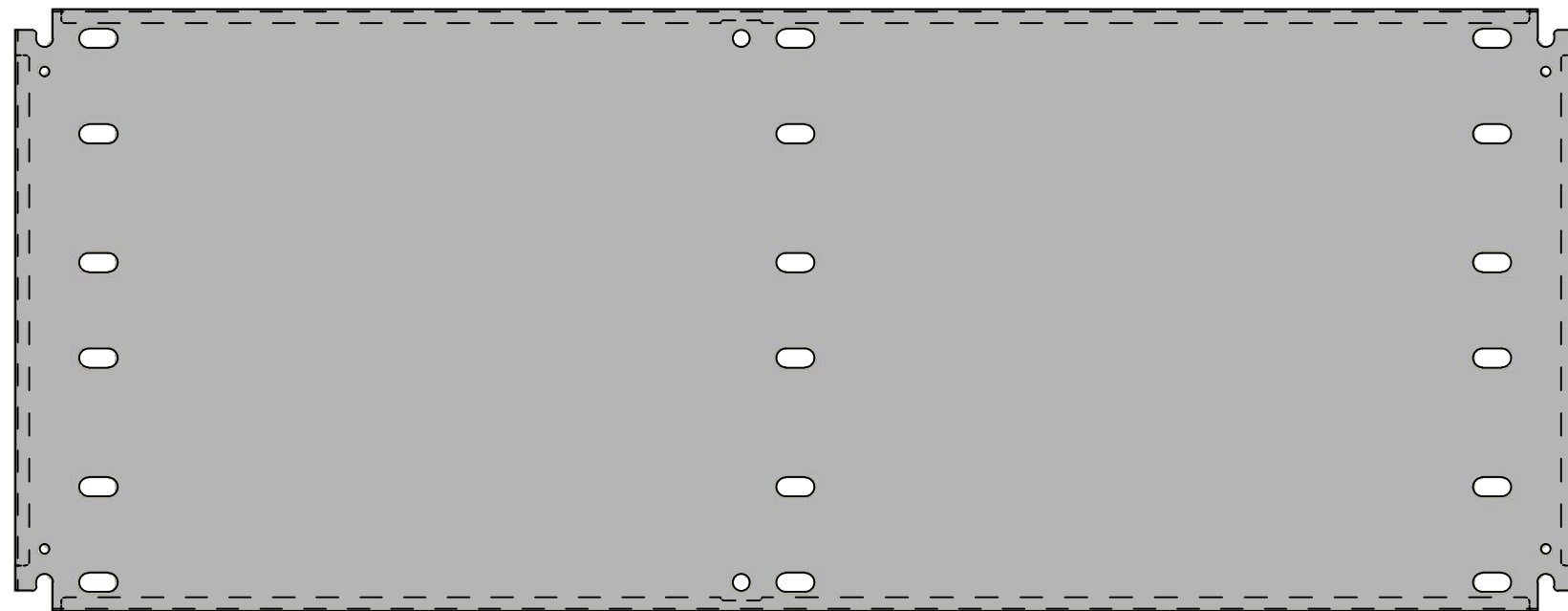
| Qty        | Part Name        | Rev | Description                             |
|------------|------------------|-----|---|
| 1          | 1412BT06803DTG   | 0   | 1412BT 24" x 72" Cover Gasket           |
| 1          | STK-P-02400S     | 0   | Powder Paint (Asa-61 Grey / Smooth)     |
| 4          | STK-K-09800      | 10  | 5412 ES Hinge with 2 Captive Hinge Pins |
| 1          | STK-Q-16080      | 0   | Ground Stud M6 x 16mm                   |
| 1          | STK-S-00100      | 0   | 3.5" x 2" Silver Milar Flexcon Sticker  |
| 1          | 1412BT06803DTC-P | 0   | 1412BT 24" x 72" Cover Part             |
| 3          | 880 SCQ4-SL      | 6   | 5412 ES 1/4 Turn Lock                   |
| Parts List |                  |     |   |

This drawing is confidential and must not be reproduced or used without the consent of EXM

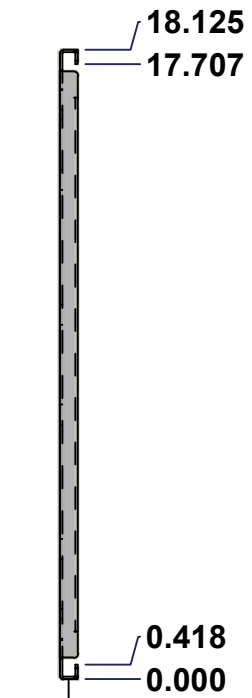
Ce dessin est confidentiel et ne doit pas être reproduit ou utilisé sans le consentement de EXM



TOP

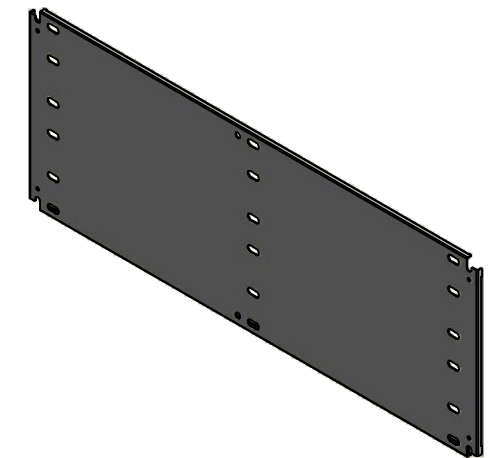


FRONT



RIGHT

| No. | Revisions | Date | By/Par |
|-----|-----------|------|--------|
|     |           |      |        |
|     |           |      |        |
|     |           |      |        |
|     |           |      |        |
|     |           |      |        |



Isometric View



Tél: (450) 979-4373  
 Fax: (450) 979-4626  
[www.exmweb.com](http://www.exmweb.com)

Flatness  
Aplatissement  
Max 3.0mm  
Projection

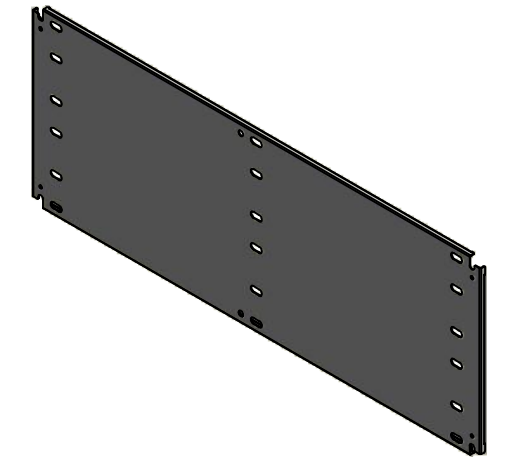
|   |                        |
|---|------------------------|
| Customer Client   | Date                   |
| Drawn By<br>Dessiné Par BoxCad: BoxCad                        | Date 2022-10-03        |
| Material<br>Matière 14 Ga Cold Rolled A1008 CS Type B (1.7mm) |                        |
| Color<br>Couleur White RAL9003                                | Finish<br>Fini Smooth  |
| Description<br>1412BT 18.125" x 47" Inner Panel               | Detail Rev.            |
| Part Number<br>Numéro Pièce <b>1412BT06803DTIP1</b>           | Rev. 13<br><b>0</b> 14 |

SEE BILL OF MATERIAL ON LAST PAGE

This drawing is confidential and must not be reproduced or used without the consent of EXM


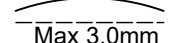
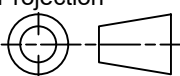
Ce dessin est confidentiel et ne doit pas être reproduit ou utilisé sans le consentement de EXM

| No. | Revisions | Date | By/Par |
|-----|-----------|------|--------|
|     |           |      |        |
|     |           |      |        |
|     |           |      |        |
|     |           |      |        |
|     |           |      |        |



Isometric View



|  |  |
|--|--|
|  Tél: (450) 979-4373<br>Fax: (450) 979-4626<br><a href="http://www.exmweb.com">www.exmweb.com</a> | Flatness<br>Aplatissement<br> Max 3.0mm |
|  | Projection<br>                          |
| Customer Client  | Date   |
| Drawn By<br>Dessiné Par BoxCad: BoxCad   | Date 2022-10-03  |
| Material<br>Matière 14 Ga Cold Rolled A1008 CS Type B (1.7mm)  |  |
| Color<br>Couleur White RAL9003   | Finish<br>Fini Smooth  |
| Description<br>1412BT 18.125" x 47" Inner Panel  |  |
| Detail Rev.  |  |
| Part Number<br>Numéro Pièce<br><b>1412BT06803DTIP1</b>   | Rev. 14<br><b>0</b> 14   |

| Qty        | Part Number        | Rev | Description                           |
|------------|--------------------|-----|---------------------------------------|
| 1          | STK-P-02401S       | 0   | Powder Paint (White / Smooth)         |
| 1          | 1412BT06803DTIP1-P | 0   | 1412BT 18.125" x 72" Inner Panel Part |
| Parts List |                    |     |                                       |