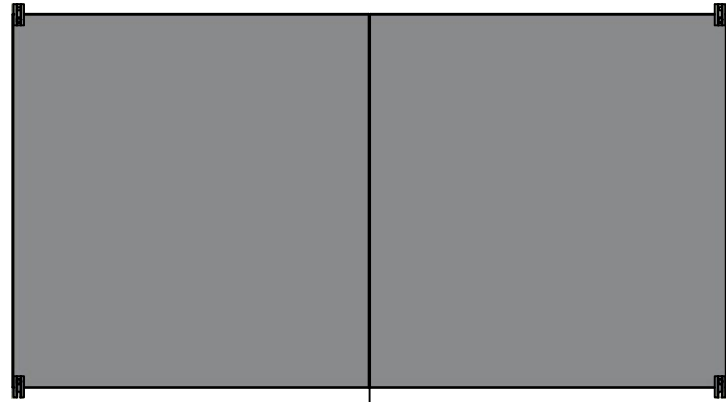


This drawing is confidential and must not be reproduced or used without the consent of EXM

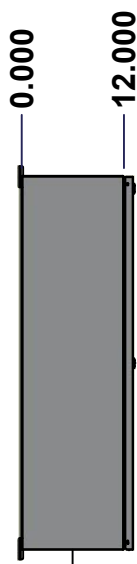
Ce dessin est confidentiel et ne doit pas être reproduit ou utilisé sans le consentement de EXM



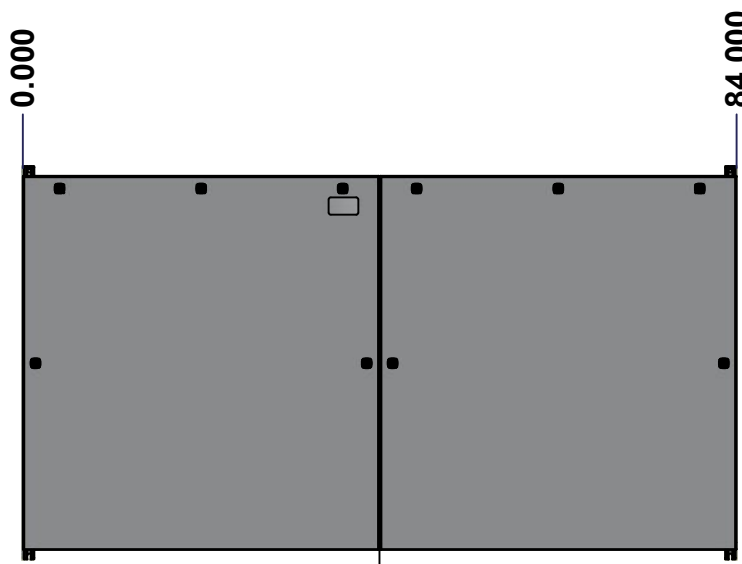
TOP



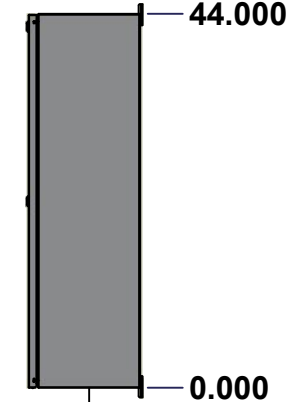
LEFT



LEFT



FRONT

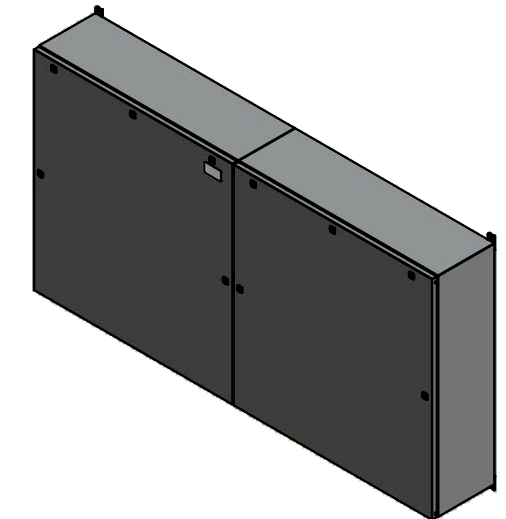


RIGHT



BOTTOM

| No. | Revisions | Date | By/Par |
|-----|-----------|------|--------|
| | | | |
| | | | |
| | | | |
| | | | |
| | | | |



Isometric View



Tél: (450) 979-4373
 Fax: (450) 979-4626
www.exmweb.com

Flatness

Aplatissement
 Max 3.0mm

Projection



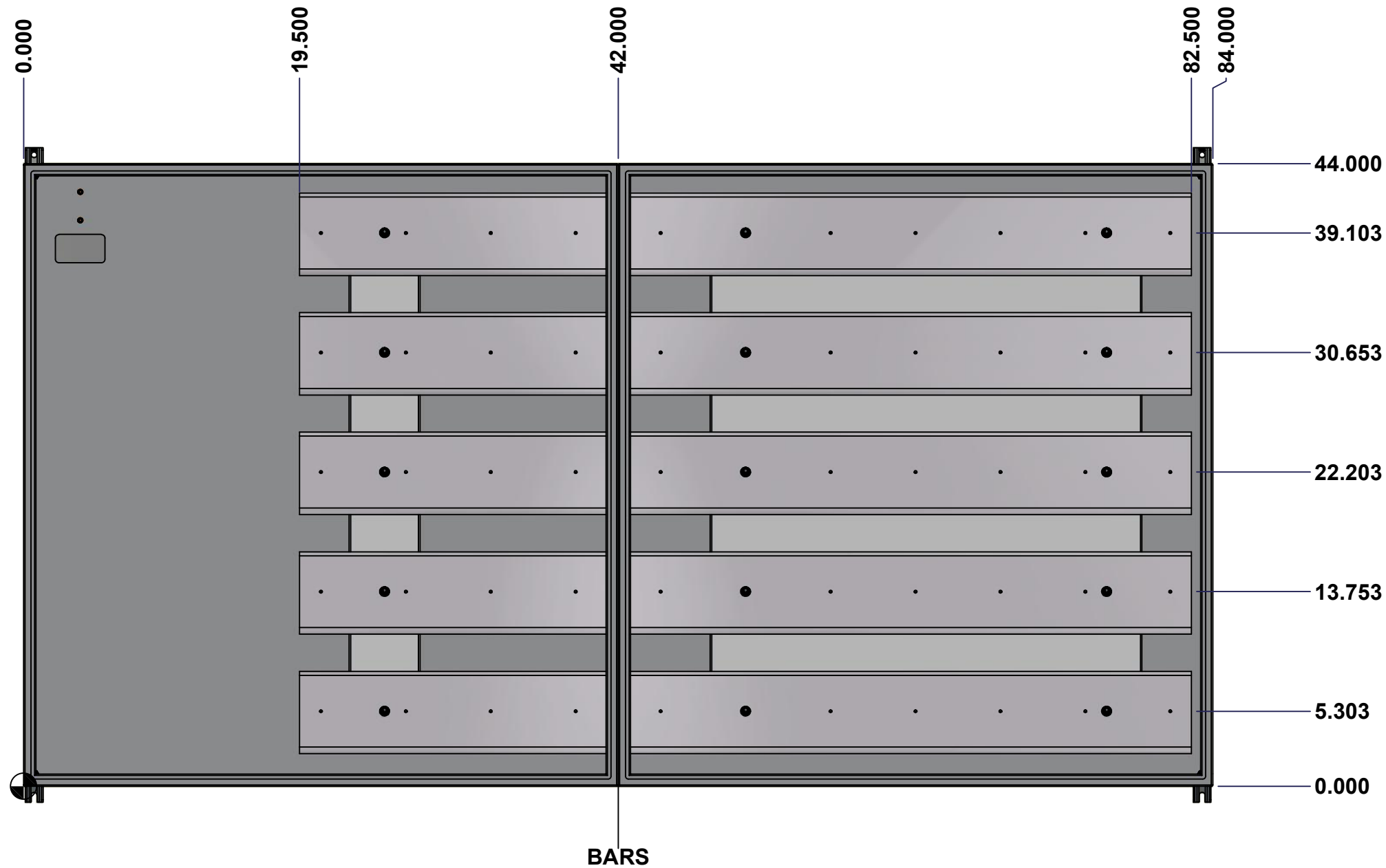
| | |
|---|-----------------------|
| Customer Client | Date |
| Drawn By / Dessiné Par: BoxCad: BoxCad | Date: 2022-10-06 |
| Material / Matière: 14 Ga Cold Rolled A1008 CS Type B (1.7mm) | |
| Color / Couleur: Asa-61 Grey | Finish / Fini: Smooth |
| Description: 1412BT 2500A - 5Wires x 84" Assembly | Detail Rev. |
| Part Number / Numéro Pièce: 1412BT072505DT | Rev. 0 |

SEE BILL OF MATERIAL ON LAST PAGE

This drawing is confidential and must not be reproduced or used without the consent of Eurobox

Ce dessin est confidentiel et ne doit pas être reproduit ou utilisé sans le consentement de Eurobox

STANDARD FEATURES ARE NOT LISTED IN THIS HOLE TABLE



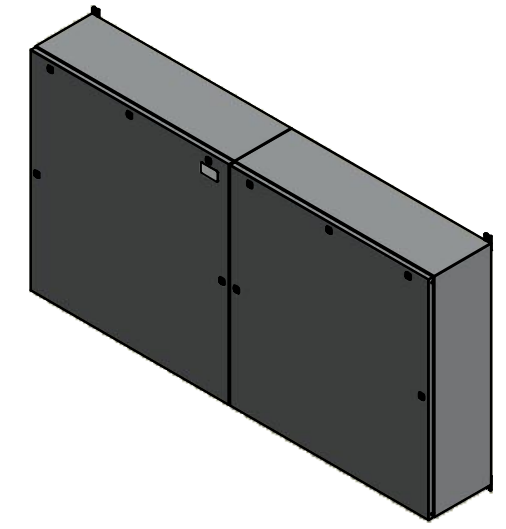
| | | | |
|-----------------------|--------------------------------------|----------|--------|
| | Description | | Status |
| | 1412BT 2500A - 5Wires x 84" Assembly | | (NULL) |
| Part Number | | Rev. | 2 |
| Numéro Pièce | | 0 | 18 |
| 1412BT072505DT | | | |

This drawing is confidential and must not be reproduced or used without the consent of EXM

Ce dessin est confidentiel et ne doit pas être reproduit ou utilisé sans le consentement de EXM

| NOTE | |
|------|--|
| ITEM | DESCRIPTION |
| 1 | NEMA 4/12 Enclosure |
| 2 | C/W Standard ground studs on box and cover |
| 3 | W/O Standard door stiffener |
| 4 | C/W Special inner panel (Sold separately) |
| 5 | C/W Standard inner panel mounting studs |

| No. | Revisions | Date | By/Par |
|-----|-----------|------|--------|
| | | | |
| | | | |
| | | | |
| | | | |
| | | | |



Isometric View



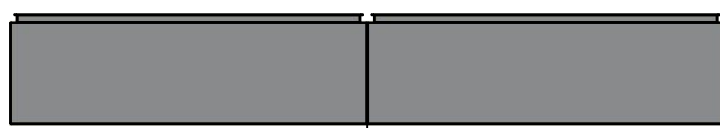
| PACKING | | |
|-----------------------|-----|--|
| ITEM | QTY | DESCRIPTION |
| Cardboard sleeve | 2 | Top and Bottom |
| Cardboard strip | 2 | Between back of enclosure and inner panel |
| Plastic bag | 1 | To protect cover surface and inside gasket |
| Cardboard corner | 4 | To reinforced for the plastic strap tightening |
| Plastic strap - Black | 2 | To Squeeze 2 cardboard sleeve together |
| Packaging label | 3 | White label with PN |
| Plastic strap- Green | 2 | To secure the enclosure to the wood pallet |
| Wood Pallet | 1 | 2" deeper and 3" larger than enclosure size |

| | | | |
|------------|----------------------|-----|--|
| 1 | 885 ESMF1 | 0 | 885 ESMF1 Mounting Feet Kit |
| 1 | 1412BT072505DTIP2 | 0 | 1412BT 38.425" x 28" Right Inner Panel |
| 1 | 1412BT072505DTBAR1-P | 0 | Rounded Edge Aluminum Bar 3/4" x 6" |
| 1 | 1412BT072505DTBAR2-P | 0 | Rounded Edge Aluminum Bar 3/4" x 6" |
| 1 | 1412BT072505DTBAR3-P | 0 | Rounded Edge Aluminum Bar 3/4" x 6" |
| 1 | 1412BT072505DTBAR4-P | 0 | Rounded Edge Aluminum Bar 3/4" x 6" |
| 1 | 1412BT072505DTBAR5-P | 0 | Rounded Edge Aluminum Bar 3/4" x 6" |
| 1 | 1412BT072505DTIP1 | 0 | 1412BT 38.425" x 56" Inner Panel |
| 15 | STK-A-67400 | 0 | Buss Bar Insulator Kit |
| 1 | STK-K-01800 | 5 | 5412 ES Accessory Kit |
| 6 | STK-Q-04050-07 | 7 | M6 x 7mm Hexagon Socket Head Machine Screw with Nyseal |
| 27 | STK-Q-07310 | 2 | Flange Lock Nut M8 |
| 12 | STK-Q-07610 | 8 | M8 Plastic Spacer 22.2mm |
| 1 | 1412BT072505DTB | 0 | 1412BT 44" x 84" x 12" Body |
| 1 | 1412BT072505DTC | 0 | 1412BT 44" x 84" Cover |
| Qty | Part Number | Rev | Description |
| Parts List | | | |

| | | | | |
|--------------------------------------|--|---|-----------------------|--|
| | Tél: (450) 979-4373 Fax: (450) 979-4626 www.exmweb.com | Flatness | Aplatissement | |
| | | Max 3.0mm | | |
| Projection | | | | |
| Customer | Client | Date | | |
| Drawn By | Dessiné Par | BoxCad: BoxCad | Date 2022-10-06 | |
| Material | Matière | 14 Ga Cold Rolled A1008 CS Type B (1.7mm) | | |
| Color | Couleur | Asa-61 Grey | Finish Fini Smooth | |
| Description | | Detail Rev. | | |
| 1412BT 2500A - 5Wires x 84" Assembly | | | | |
| Part Number | Numéro Pièce | Rev. | 3 | |
| 1412BT072505DT | | 0 | 18 | |

This drawing is confidential and must not be reproduced or used without the consent of EXM

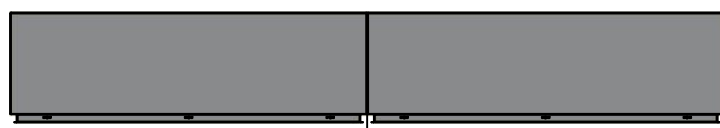
Ce dessin est confidentiel et ne doit pas être reproduit ou utilisé sans le consentement de EXM



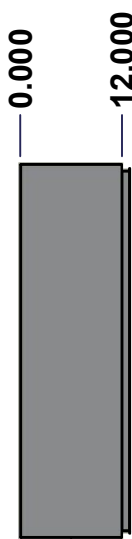
TOP



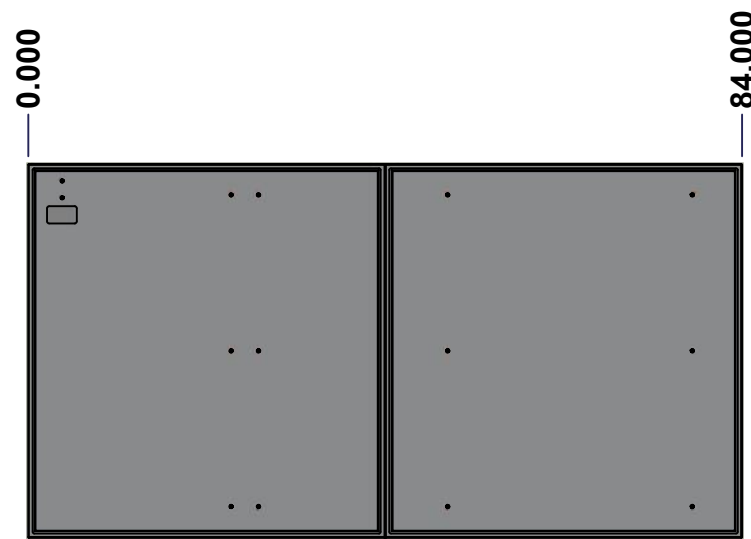
BACK



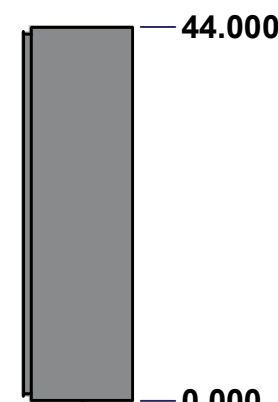
BOTTOM



LEFT

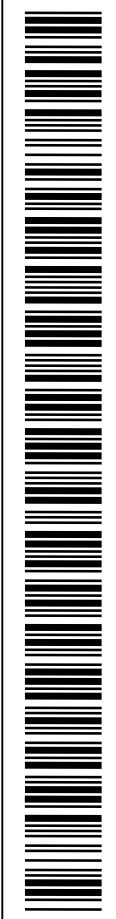
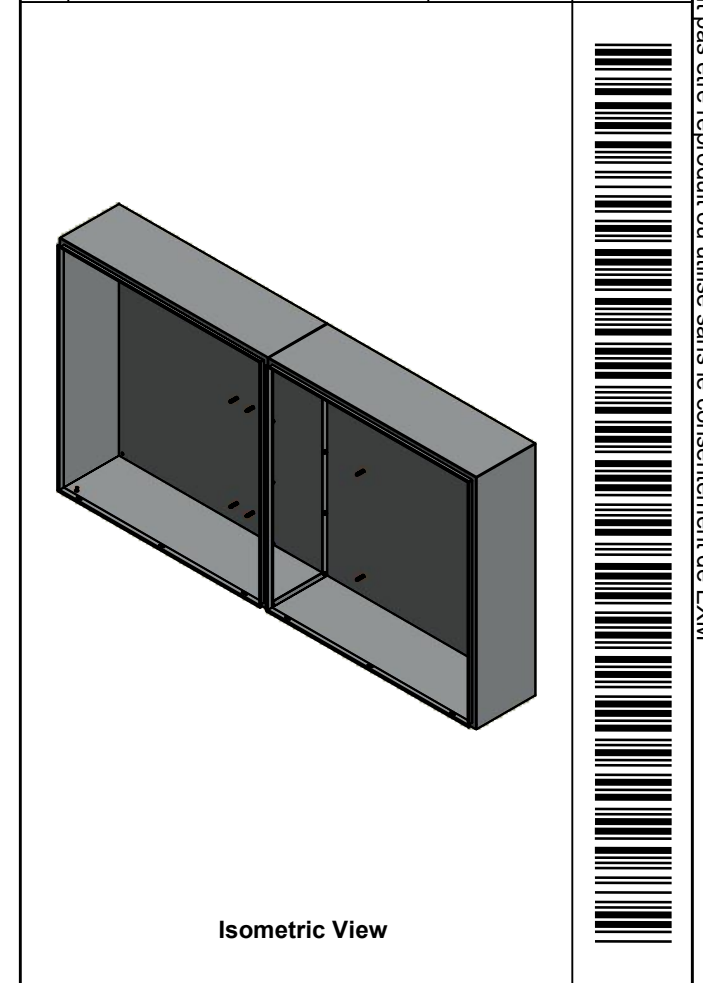



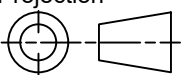
FRONT



RIGHT

| No. | Revisions | Date | By/Par |
|-----|-----------|------|--------|
| | | | |
| | | | |
| | | | |
| | | | |



| | | |
|--|---|---|
|  Tél: (450) 979-4373 Fax: (450) 979-4626 www.exmweb.com | | Flatness Aplatissement Max 3.0mm Projection  |
| Customer Client | Date | |
| Drawn By Dessiné Par | BoxCad: BoxCad | Date 2022-10-06 |
| Material Matière | 14 Ga Cold Rolled A1008 CS Type B (1.7mm) | |
| Color Couleur | Asa-61 Grey | Finish Fini Smooth |
| Description 1412BT 44" x 84" x 12" Body | | Detail Rev. |
| Part Number Numéro Pièce | 1412BT072505DTB | Rev. 4 |
| SEE BILL OF MATERIAL ON LAST PAGE | | 0 |

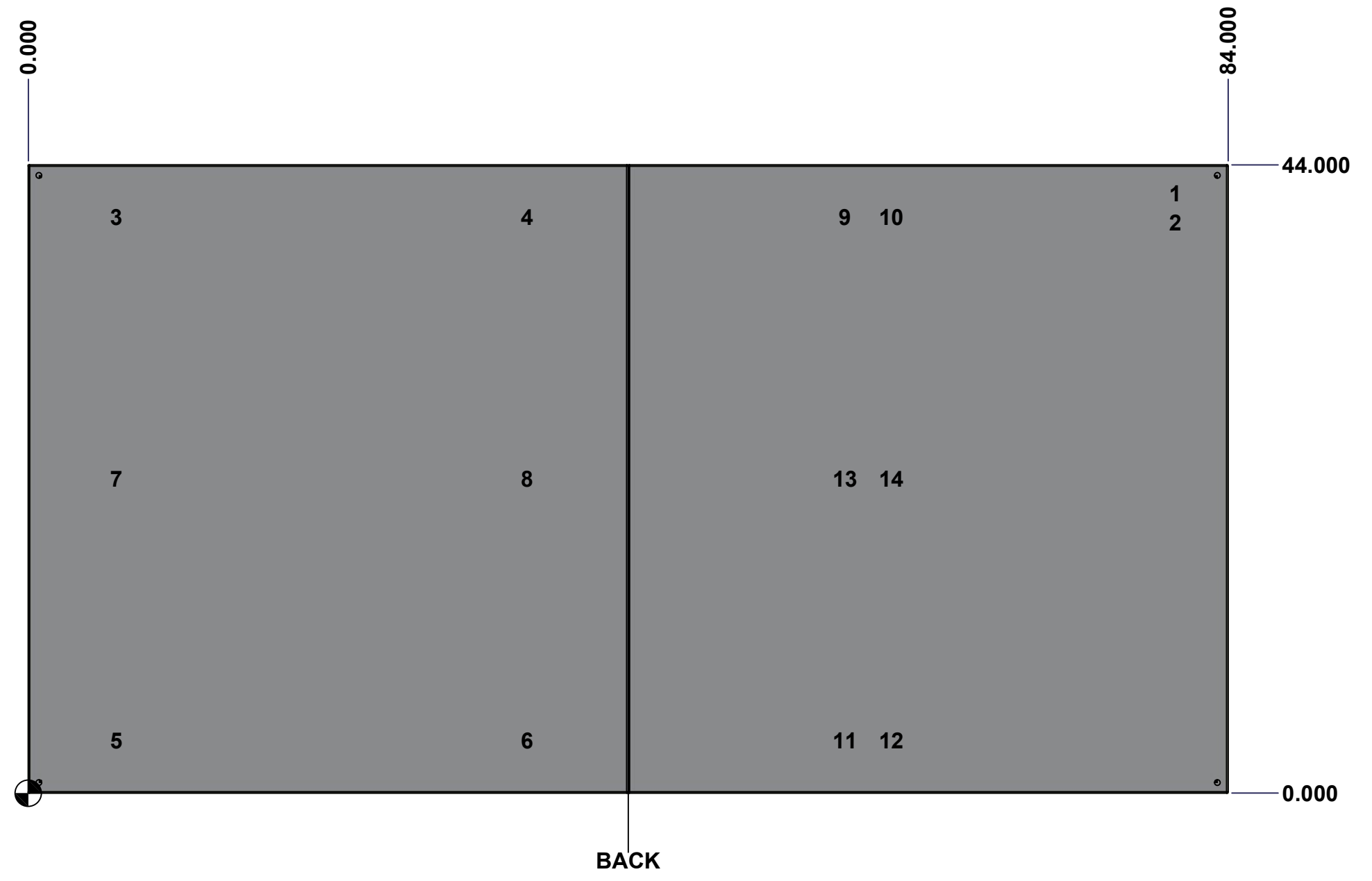
This drawing is confidential and must not be reproduced or used without the consent of Eurobox

Ce dessin est confidentiel et ne doit pas être reproduit ou utilisé sans le consentement de Eurobox

STANDARD FEATURES ARE NOT LISTED IN THIS HOLE TABLE

HOLE TABLE - BACK VIEW (CUSTOM FEATURE ONLY)

| CUT-OUT | XDIM | YDIM | DESCRIPTION |
|---------|--------|--------|-----------------------------|
| 1 | 80.000 | 42.000 | GND STUD M8 x 35mm (Inside) |
| 2 | 80.000 | 40.000 | GND STUD M8 x 35mm (Inside) |
| 3 | 5.875 | 40.350 | IP STUD M8 x 35mm (Inside) |
| 4 | 34.625 | 40.350 | IP STUD M8 x 35mm (Inside) |
| 5 | 5.875 | 3.675 | IP STUD M8 x 35mm (Inside) |
| 6 | 34.625 | 3.675 | IP STUD M8 x 35mm (Inside) |
| 7 | 5.875 | 22.013 | IP STUD M8 x 35mm (Inside) |
| 8 | 34.625 | 22.013 | IP STUD M8 x 35mm (Inside) |
| 9 | 56.875 | 40.350 | IP STUD M8 x 35mm (Inside) |
| 10 | 60.125 | 40.350 | IP STUD M8 x 35mm (Inside) |
| 11 | 56.875 | 3.675 | IP STUD M8 x 35mm (Inside) |
| 12 | 60.125 | 3.675 | IP STUD M8 x 35mm (Inside) |
| 13 | 56.875 | 22.013 | IP STUD M8 x 35mm (Inside) |
| 14 | 60.125 | 22.013 | IP STUD M8 x 35mm (Inside) |

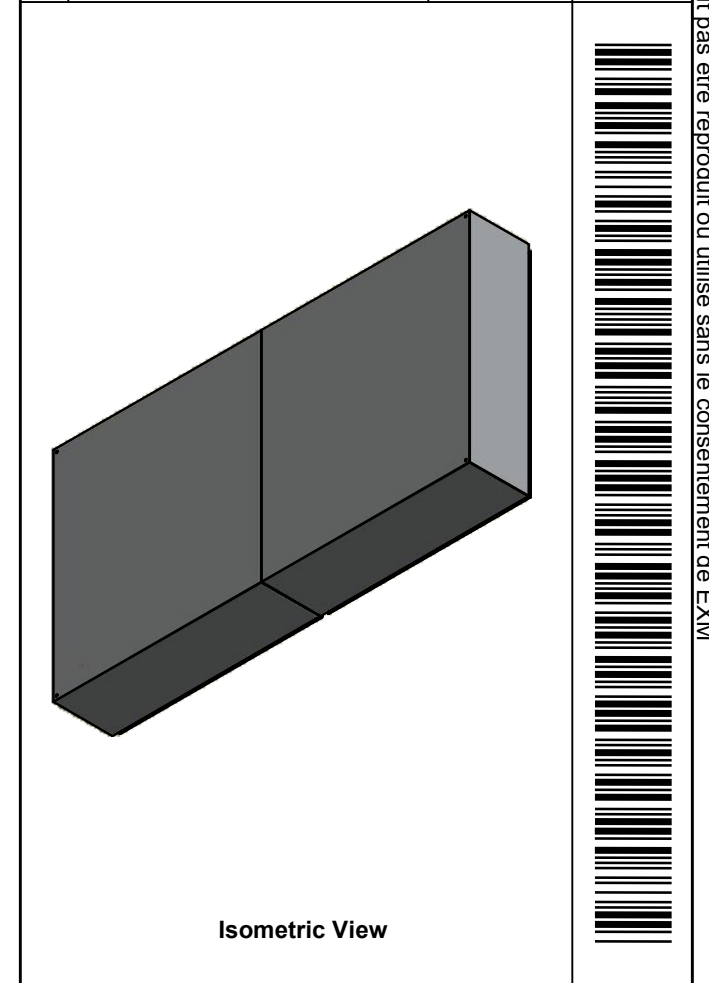


| | | |
|--|---|--------------------|
| | Description 1412BT 44" x 84" x 12" Body | Status (NULL) |
| | Part Number Numéro Pièce 1412BT072505DTB | Rev. 5 0 |

This drawing is confidential and must not be reproduced or used without the consent of EXM

Ce dessin est confidentiel et ne doit pas être reproduit ou utilisé sans le consentement de EXM

| No. | Revisions | Date | By/Par |
|-----|-----------|------|--------|
| | | | |
| | | | |
| | | | |
| | | | |
| | | | |




 Tél: (450) 979-4373
 Fax: (450) 979-4626
www.exmweb.com

Flatness
 Aplatissement
 Max 3.0mm
Projection


| | |
|---|------------------|
| Customer Client | Date |
| Drawn By / Dessiné Par: BoxCad: BoxCad | Date: 2022-10-06 |
| Material / Matière: 14 Ga Cold Rolled A1008 CS Type B (1.7mm) | |

| | |
|--|-----------------------|
| Color / Couleur: Asa-61 Grey | Finish / Fini: Smooth |
| Description: 1412BT 44" x 84" x 12" Body | Detail Rev. |

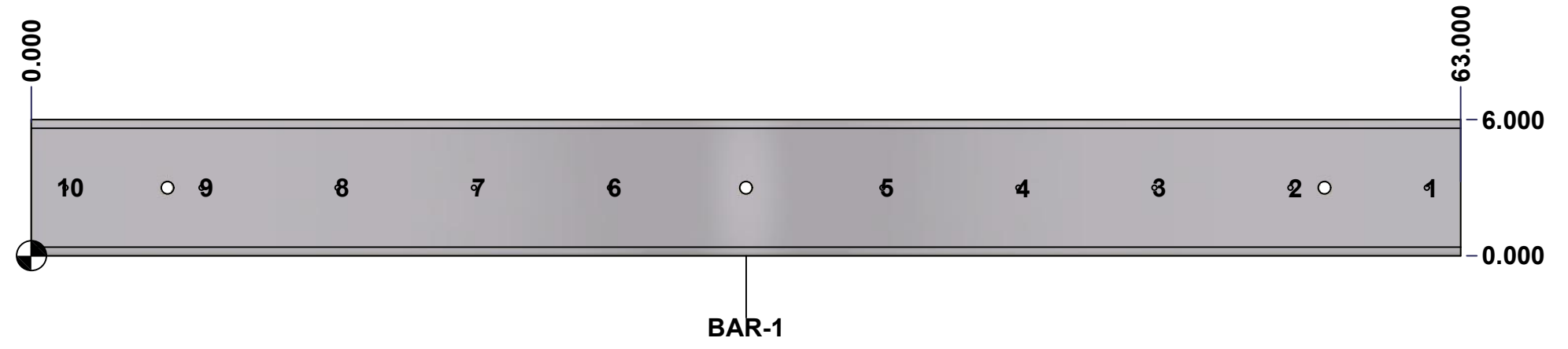
| | | |
|--|--------|---|
| Part Number / Numéro Pièce: 1412BT072505DTB | Rev. 0 | 6 |
|--|--------|---|

| Qty | Part Number | Rev | Description |
|------------|-------------------|-----|---|
| 1 | STK-P-02400S | 0 | Powder Paint (Asa-61 Grey / Smooth) |
| 1 | 1412BT072505DTB-P | 0 | 1412BT 44" x 84" x 12" Body Part |
| 1 | 1412BT072505DTE-P | 0 | 1412BT 44" x 84" x 12" Right Body Part |
| 1 | STK-G-00701 | 0 | 1" x 1/4" Self-Adhesive Neoprene Gasket |
| 10 | STK-Q-00260 | 1 | M6 x 13mm Carriage Bolt |
| 10 | STK-Q-07220 | 1 | M6 Nylon Insert Lock Nut |
| 14 | STK-Q-16005 | 1 | Stud M8 x 35 (No Paint Cap Required) |
| 2 | STK-Q-16080 | 0 | Ground Stud M6 x 16mm |
| 1 | STK-S-00100 | 0 | 3.5" x 2" Silver Milar Flexcon Sticker |
| Parts List | | | |

This drawing is confidential and must not be reproduced or used without the consent of Eurobox

Ce dessin est confidentiel et ne doit pas être reproduit ou utilisé sans le consentement de Eurobox

| STANDARD FEATURES ARE NOT LISTED IN THIS HOLE TABLE | | | |
|---|--------|-------|------------------------------|
| HOLE TABLE - FRONT VIEW (CUSTOM FEATURE ONLY) | | | |
| CUT-OUT | XDIM | YDIM | DESCRIPTION |
| 1 | 61.500 | 3.000 | RND Ø0.201 THREAD 1/4-20 UNC |
| 2 | 55.500 | 3.000 | RND Ø0.201 THREAD 1/4-20 UNC |
| 3 | 49.500 | 3.000 | RND Ø0.201 THREAD 1/4-20 UNC |
| 4 | 43.500 | 3.000 | RND Ø0.201 THREAD 1/4-20 UNC |
| 5 | 37.500 | 3.000 | RND Ø0.201 THREAD 1/4-20 UNC |
| 6 | 25.500 | 3.000 | RND Ø0.201 THREAD 1/4-20 UNC |
| 7 | 19.500 | 3.000 | RND Ø0.201 THREAD 1/4-20 UNC |
| 8 | 13.500 | 3.000 | RND Ø0.201 THREAD 1/4-20 UNC |
| 9 | 7.500 | 3.000 | RND Ø0.201 THREAD 1/4-20 UNC |
| 10 | 1.500 | 3.000 | RND Ø0.201 THREAD 1/4-20 UNC |

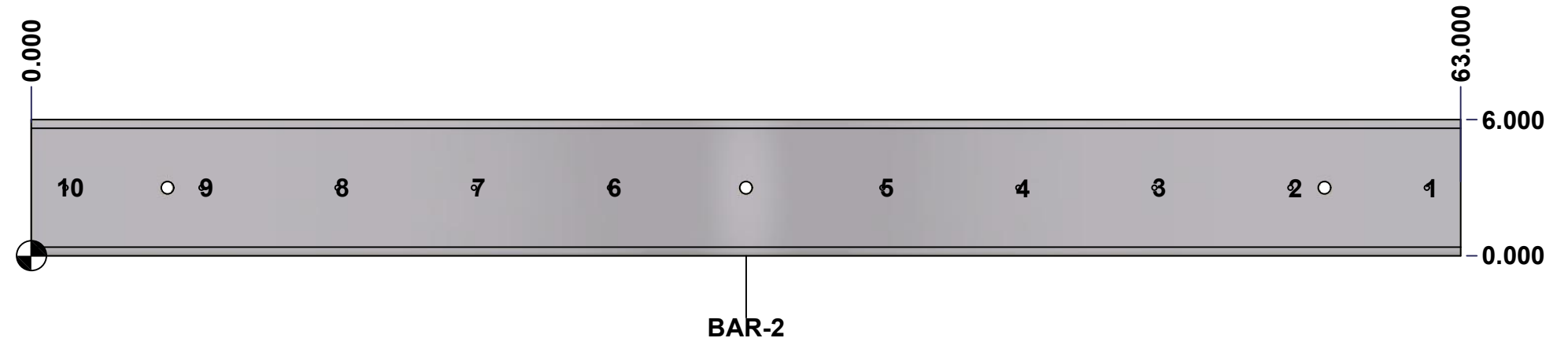


| | | |
|--|-------------------------------------|--------------|
| | Description | Status |
| | Rounded Edge Aluminum Bar 3/4" x 6" | (NULL) |
| | Part Number Numéro Pièce | Rev. |
| | 1412BT072505DTBAR1-P | 0 / 7 |
| | | 18 |

This drawing is confidential and must not be reproduced or used without the consent of Eurobox

Ce dessin est confidentiel et ne doit pas être reproduit ou utilisé sans le consentement de Eurobox

| STANDARD FEATURES ARE NOT LISTED IN THIS HOLE TABLE | | | |
|---|--------|-------|------------------------------|
| HOLE TABLE - FRONT VIEW (CUSTOM FEATURE ONLY) | | | |
| CUT-OUT | XDIM | YDIM | DESCRIPTION |
| 1 | 61.500 | 3.000 | RND Ø0.201 THREAD 1/4-20 UNC |
| 2 | 55.500 | 3.000 | RND Ø0.201 THREAD 1/4-20 UNC |
| 3 | 49.500 | 3.000 | RND Ø0.201 THREAD 1/4-20 UNC |
| 4 | 43.500 | 3.000 | RND Ø0.201 THREAD 1/4-20 UNC |
| 5 | 37.500 | 3.000 | RND Ø0.201 THREAD 1/4-20 UNC |
| 6 | 25.500 | 3.000 | RND Ø0.201 THREAD 1/4-20 UNC |
| 7 | 19.500 | 3.000 | RND Ø0.201 THREAD 1/4-20 UNC |
| 8 | 13.500 | 3.000 | RND Ø0.201 THREAD 1/4-20 UNC |
| 9 | 7.500 | 3.000 | RND Ø0.201 THREAD 1/4-20 UNC |
| 10 | 1.500 | 3.000 | RND Ø0.201 THREAD 1/4-20 UNC |

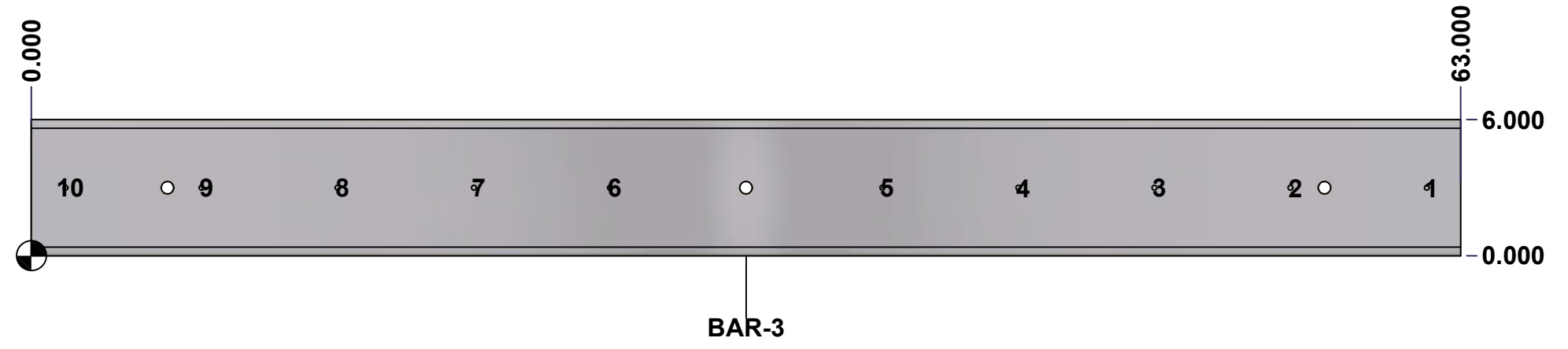


| | | |
|--|-------------------------------------|--------------|
| | Description | Status |
| | Rounded Edge Aluminum Bar 3/4" x 6" | (NULL) |
| | Part Number Numéro Pièce | Rev. |
| | 1412BT072505DTBAR2-P | 0 / 8 |
| | | 18 |

This drawing is confidential and must not be reproduced or used without the consent of Eurobox

Ce dessin est confidentiel et ne doit pas être reproduit ou utilisé sans le consentement de Eurobox

| STANDARD FEATURES ARE NOT LISTED IN THIS HOLE TABLE | | | |
|---|--------|-------|------------------------------|
| HOLE TABLE - FRONT VIEW (CUSTOM FEATURE ONLY) | | | |
| CUT-OUT | XDIM | YDIM | DESCRIPTION |
| 1 | 61.500 | 3.000 | RND Ø0.201 THREAD 1/4-20 UNC |
| 2 | 55.500 | 3.000 | RND Ø0.201 THREAD 1/4-20 UNC |
| 3 | 49.500 | 3.000 | RND Ø0.201 THREAD 1/4-20 UNC |
| 4 | 43.500 | 3.000 | RND Ø0.201 THREAD 1/4-20 UNC |
| 5 | 37.500 | 3.000 | RND Ø0.201 THREAD 1/4-20 UNC |
| 6 | 25.500 | 3.000 | RND Ø0.201 THREAD 1/4-20 UNC |
| 7 | 19.500 | 3.000 | RND Ø0.201 THREAD 1/4-20 UNC |
| 8 | 13.500 | 3.000 | RND Ø0.201 THREAD 1/4-20 UNC |
| 9 | 7.500 | 3.000 | RND Ø0.201 THREAD 1/4-20 UNC |
| 10 | 1.500 | 3.000 | RND Ø0.201 THREAD 1/4-20 UNC |



| | | |
|--|-------------------------------------|--------------|
| | Description | Status |
| | Rounded Edge Aluminum Bar 3/4" x 6" | (NULL) |
| | Part Number Numéro Pièce | Rev. |
| | 1412BT072505DTBAR3-P | 0 / 9 |
| | | 18 |

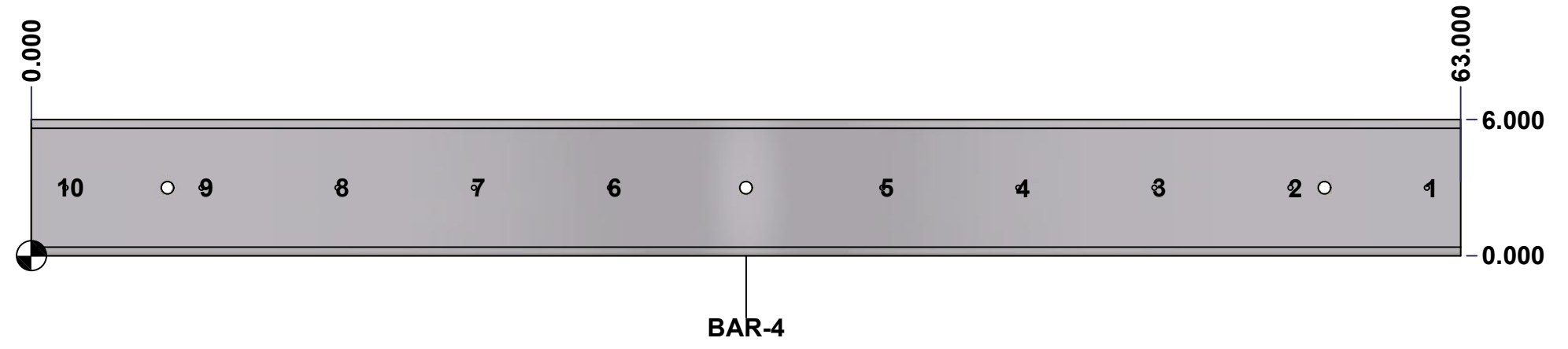
This drawing is confidential and must not be reproduced or used without the consent of Eurobox

Ce dessin est confidentiel et ne doit pas être reproduit ou utilisé sans le consentement de Eurobox

STANDARD FEATURES ARE NOT LISTED IN THIS HOLE TABLE

HOLE TABLE - FRONT VIEW (CUSTOM FEATURE ONLY)

| CUT-OUT | XDIM | YDIM | DESCRIPTION |
|---------|--------|-------|------------------------------|
| 1 | 61.500 | 3.000 | RND Ø0.201 THREAD 1/4-20 UNC |
| 2 | 55.500 | 3.000 | RND Ø0.201 THREAD 1/4-20 UNC |
| 3 | 49.500 | 3.000 | RND Ø0.201 THREAD 1/4-20 UNC |
| 4 | 43.500 | 3.000 | RND Ø0.201 THREAD 1/4-20 UNC |
| 5 | 37.500 | 3.000 | RND Ø0.201 THREAD 1/4-20 UNC |
| 6 | 25.500 | 3.000 | RND Ø0.201 THREAD 1/4-20 UNC |
| 7 | 19.500 | 3.000 | RND Ø0.201 THREAD 1/4-20 UNC |
| 8 | 13.500 | 3.000 | RND Ø0.201 THREAD 1/4-20 UNC |
| 9 | 7.500 | 3.000 | RND Ø0.201 THREAD 1/4-20 UNC |
| 10 | 1.500 | 3.000 | RND Ø0.201 THREAD 1/4-20 UNC |

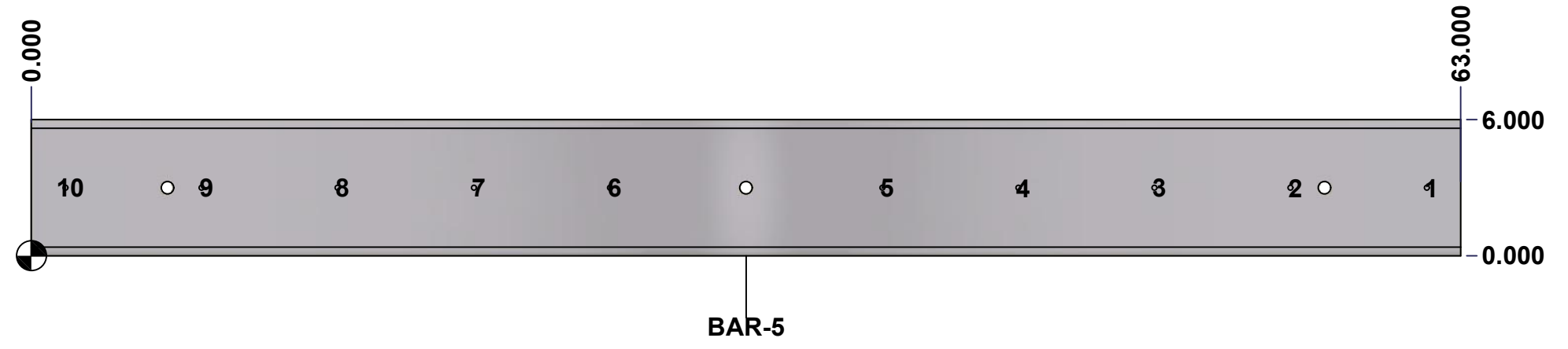


| | | | |
|--|-------------------------------------|----------|----------|
| | Description | Status | |
| | Rounded Edge Aluminum Bar 3/4" x 6" | (NULL) | |
| | Part Number Numéro Pièce | Rev. | |
| | 1412BT072505DTBAR4-P | 0 | 10 18 |

This drawing is confidential and must not be reproduced or used without the consent of Eurobox

Ce dessin est confidentiel et ne doit pas être reproduit ou utilisé sans le consentement de Eurobox

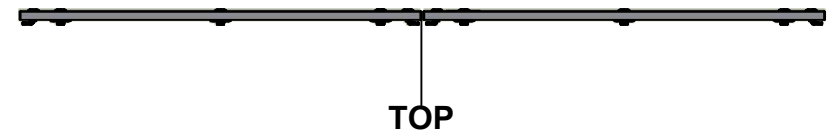
| STANDARD FEATURES ARE NOT LISTED IN THIS HOLE TABLE | | | |
|---|--------|-------|------------------------------|
| HOLE TABLE - FRONT VIEW (CUSTOM FEATURE ONLY) | | | |
| CUT-OUT | XDIM | YDIM | DESCRIPTION |
| 1 | 61.500 | 3.000 | RND Ø0.201 THREAD 1/4-20 UNC |
| 2 | 55.500 | 3.000 | RND Ø0.201 THREAD 1/4-20 UNC |
| 3 | 49.500 | 3.000 | RND Ø0.201 THREAD 1/4-20 UNC |
| 4 | 43.500 | 3.000 | RND Ø0.201 THREAD 1/4-20 UNC |
| 5 | 37.500 | 3.000 | RND Ø0.201 THREAD 1/4-20 UNC |
| 6 | 25.500 | 3.000 | RND Ø0.201 THREAD 1/4-20 UNC |
| 7 | 19.500 | 3.000 | RND Ø0.201 THREAD 1/4-20 UNC |
| 8 | 13.500 | 3.000 | RND Ø0.201 THREAD 1/4-20 UNC |
| 9 | 7.500 | 3.000 | RND Ø0.201 THREAD 1/4-20 UNC |
| 10 | 1.500 | 3.000 | RND Ø0.201 THREAD 1/4-20 UNC |



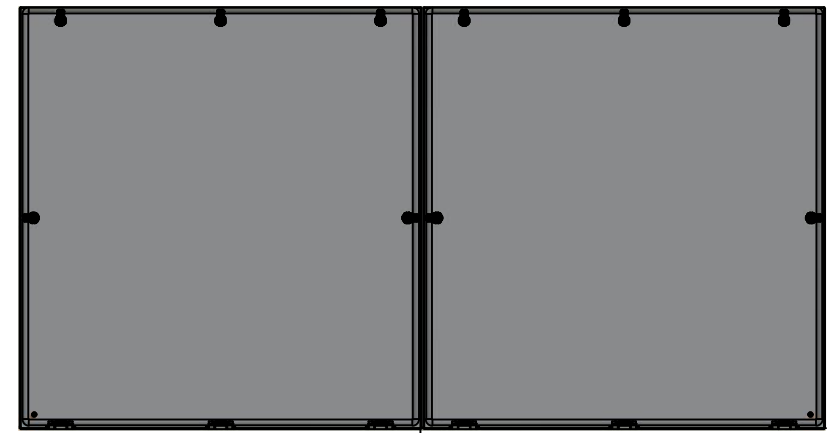
| | | | |
|--|-------------------------------------|----------|----|
| | Description | Status | |
| | Rounded Edge Aluminum Bar 3/4" x 6" | (NULL) | |
| | Part Number Numéro Pièce | Rev. | 11 |
| | 1412BT072505DTBAR5-P | 0 | 18 |

This drawing is confidential and must not be reproduced or used without the consent of EXM

Ce dessin est confidentiel et ne doit pas être reproduit ou utilisé sans le consentement de EXM



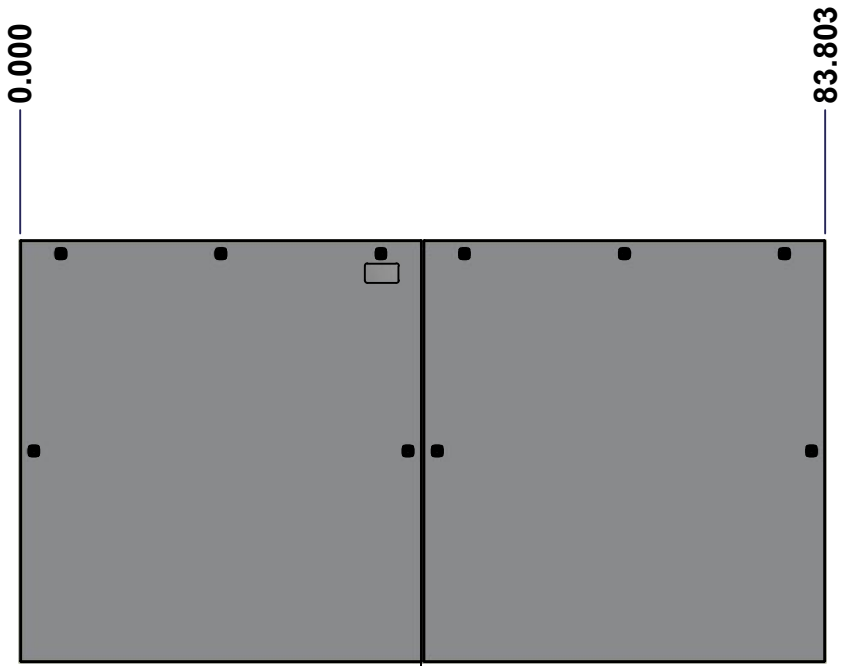
TOP



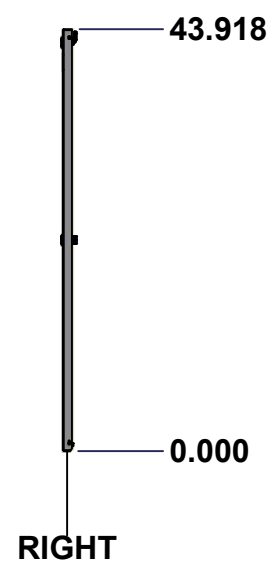
BACK



LEFT



FRONT

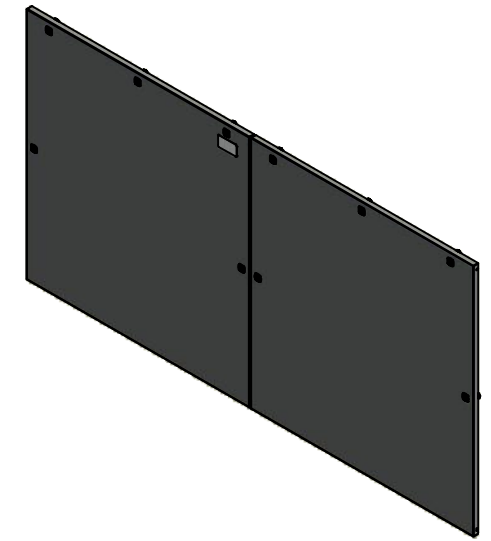


RIGHT



BOTTOM

| No. | Revisions | Date | By/Par |
|-----|-----------|------|--------|
| | | | |
| | | | |
| | | | |
| | | | |
| | | | |



Isometric View



Tél: (450) 979-4373
 Fax: (450) 979-4626
www.exmweb.com

Flatness
Aplatissement
Max 3.0mm
Projection

Customer Client
 Drawn By Dessiné Par BoxCad: BoxCad
 Date 2022-10-06

Material Matière 14 Ga Cold Rolled A1008 CS Type B (1.7mm)

Color Couleur Asa-61 Grey
 Finish Fini Smooth

Description 1412BT 44" x 84" Cover
 Detail Rev.

Part Number Numéro Pièce 1412BT072505DTC
 Rev. 0
 12 / 18

SEE BILL OF MATERIAL ON LAST PAGE

This drawing is confidential and must not be reproduced or used without the consent of Eurobox

Ce dessin est confidentiel et ne doit pas être reproduit ou utilisé sans le consentement de Eurobox

STANDARD FEATURES ARE NOT LISTED IN THIS HOLE TABLE

HOLE TABLE - FRONT VIEW (CUSTOM FEATURE ONLY)

| CUT-OUT | XDIM | YDIM | DESCRIPTION |
|---------|--------|--------|-----------------------------|
| 1 | 1.500 | 1.486 | GND STUD M6 x 16mm (Inside) |
| 2 | 82.303 | 1.486 | GND STUD M6 x 16mm (Inside) |
| 3 | 82.379 | 21.959 | LOCK 880 SCQ4-SL @ 0.0° |
| 4 | 43.424 | 21.959 | LOCK 880 SCQ4-SL @ 180.0° |
| 5 | 40.379 | 21.959 | LOCK 880 SCQ4-SL @ 0.0° |
| 6 | 1.424 | 21.959 | LOCK 880 SCQ4-SL @ 180.0° |
| 7 | 79.553 | 42.494 | LOCK 880 SCQ4-SL @ 90.0° |
| 8 | 62.902 | 42.494 | LOCK 880 SCQ4-SL @ 90.0° |
| 9 | 46.250 | 42.494 | LOCK 880 SCQ4-SL @ 90.0° |
| 10 | 37.553 | 42.494 | LOCK 880 SCQ4-SL @ 90.0° |
| 11 | 20.902 | 42.494 | LOCK 880 SCQ4-SL @ 90.0° |
| 12 | 4.250 | 42.494 | LOCK 880 SCQ4-SL @ 90.0° |

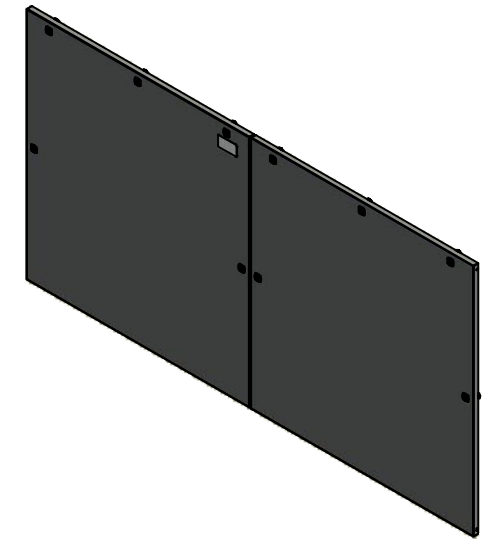


| | | | |
|--|-----------------------------|----------|----|
| | Description | Status | |
| | 1412BT 44" x 84" Cover | (NULL) | |
| | Part Number Numéro Pièce | Rev. | 13 |
| | 1412BT072505DTC | 0 | 18 |

This drawing is confidential and must not be reproduced or used without the consent of EXM


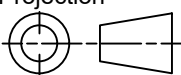
Ce dessin est confidentiel et ne doit pas être reproduit ou utilisé sans le consentement de EXM

| No. | Revisions | Date | By/Par |
|-----|-----------|------|--------|
| | | | |
| | | | |
| | | | |
| | | | |
| | | | |



Isometric View

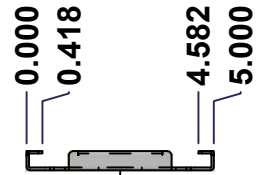


| | | |
|--|---|---|
|  Tél: (450) 979-4373 Fax: (450) 979-4626 www.exmweb.com | Flatness Aplatissement | Max 3.0mm |
| | Projection |  |
| Customer Client | Date | |
| Drawn By Dessiné Par | BoxCad: BoxCad | Date 2022-10-06 |
| Material Matière | 14 Ga Cold Rolled A1008 CS Type B (1.7mm) | |
| Color Couleur | Asa-61 Grey | Finish Fini Smooth |
| Description | Detail Rev. | |
| 1412BT 44" x 84" Cover | | |
| Part Number Numéro Pièce | Rev. 0 | 14 / 18 |
| 1412BT072505DTC | | |

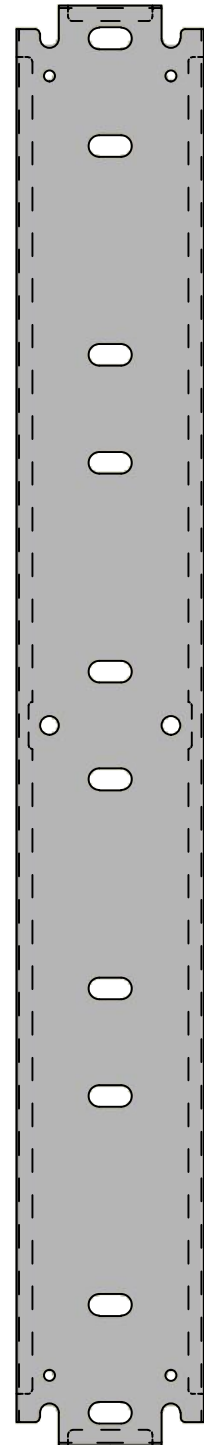
| Qty | Part Name | Rev | Description |
|------------|-------------------|-----|---|
| 2 | 1412BT072505DTG | 0 | 1412BT 44" x 84" Cover Gasket |
| 1 | STK-P-02400S | 0 | Powder Paint (Asa-61 Grey / Smooth) |
| 6 | STK-K-09800 | 10 | 5412 ES Hinge with 2 Captive Hinge Pins |
| 2 | STK-Q-16080 | 0 | Ground Stud M6 x 16mm |
| 1 | STK-S-00100 | 0 | 3.5" x 2" Silver Milar Flexcon Sticker |
| 1 | 1412BT072505DTC-P | 0 | 1412BT 44" x 84" Cover Part |
| 1 | 1412BT072505DTF-P | 0 | 1412BT 44" x 84" Right Cover Part |
| 10 | 880 SCQ4-SL | 6 | 5412 ES 1/4 Turn Lock |
| Parts List | | | |

This drawing is confidential and must not be reproduced or used without the consent of EXM

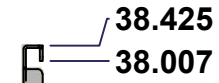
Ce dessin est confidentiel et ne doit pas être reproduit ou utilisé sans le consentement de EXM



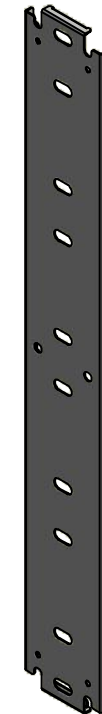
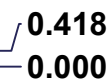
TOP



FRONT




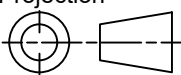
RIGHT



Isometric View



| No. | Revisions | Date | By/Par |
|-----|-----------|------|--------|
| | | | |
| | | | |
| | | | |
| | | | |
| | | | |

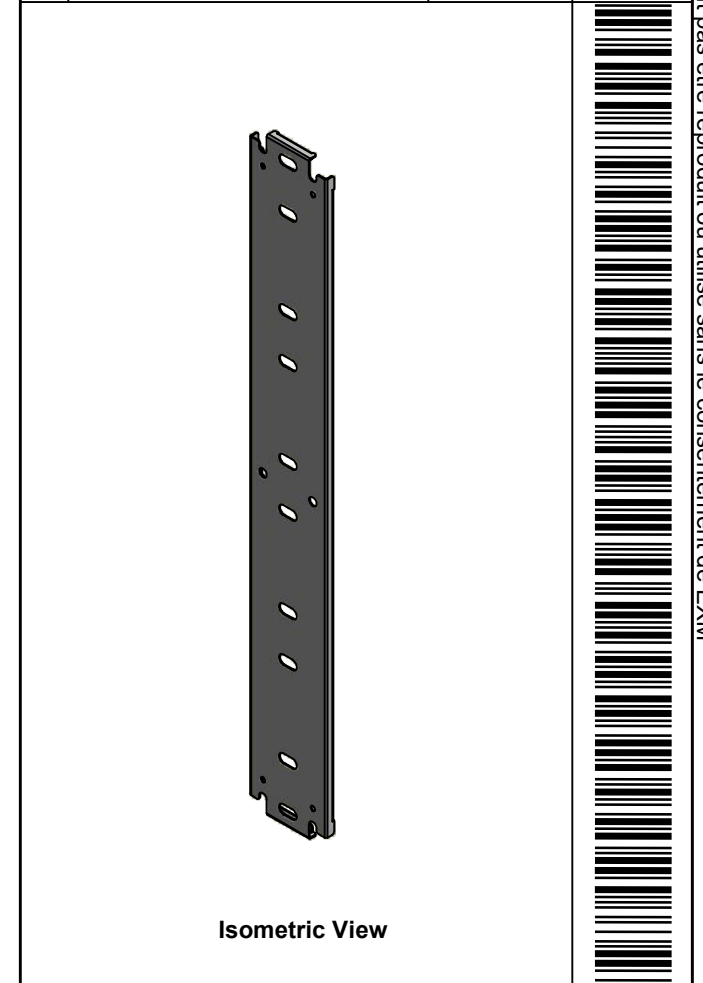
| | | |
|--|---|---|
|  Tél: (450) 979-4373 Fax: (450) 979-4626 www.exmweb.com | | Flatness Aplatissement Max 3.0mm Projection  |
| Customer Client | Date | |
| Drawn By Dessiné Par | BoxCad: BoxCad | Date 2022-10-06 |
| Material Matière | 14 Ga Cold Rolled A1008 CS Type B (1.7mm) | |
| Color Couleur | White RAL9003 | Finish Fini Smooth |
| Description | Detail Rev. | |
| 1412BT 38.425" x 56" Inner Panel | | |
| Part Number Numéro Pièce | Rev. | |
| 1412BT072505DTIP1 | 0 | 15 18 |

SEE BILL OF MATERIAL ON LAST PAGE


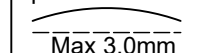
This drawing is confidential and must not be reproduced or used without the consent of EXM

Ce dessin est confidentiel et ne doit pas être reproduit ou utilisé sans le consentement de EXM

| No. | Revisions | Date | By/Par |
|-----|-----------|------|--------|
| | | | |
| | | | |
| | | | |
| | | | |
| | | | |



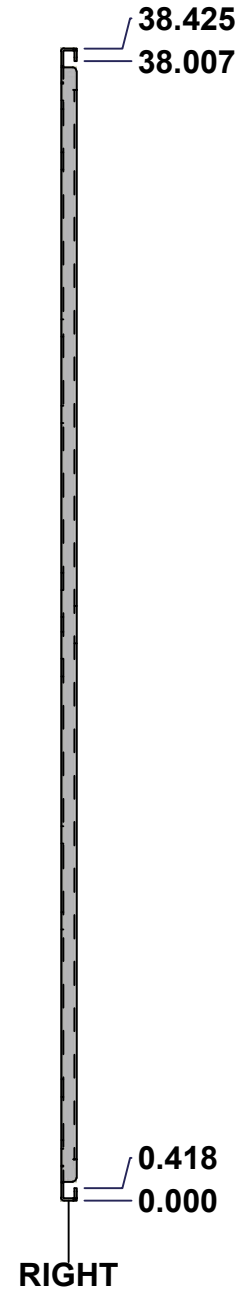
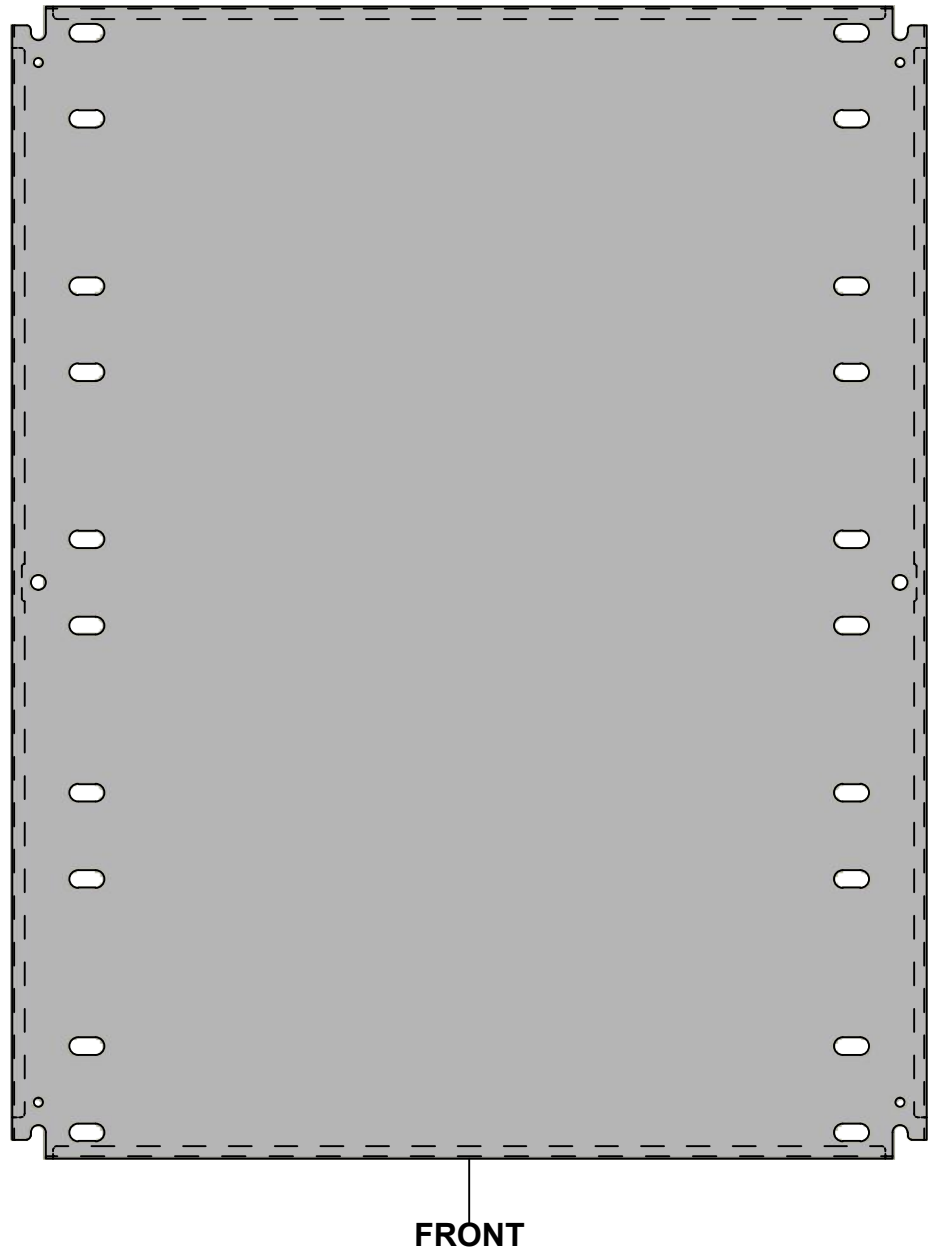
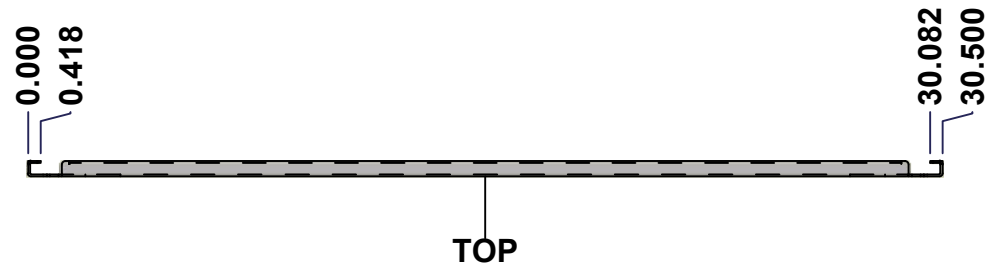
Isometric View

| | | |
|--|-----------------------|---|
|  Tél: (450) 979-4373 Fax: (450) 979-4626 www.exmweb.com | | Flatness Aplatissement  Max 3.0mm |
| Customer Client | | Date |
| Drawn By / Dessiné Par: BoxCad: BoxCad | | Date: 2022-10-06 |
| Material / Matière: 14 Ga Cold Rolled A1008 CS Type B (1.7mm) | | |
| Color / Couleur: White RAL9003 | Finish / Fini: Smooth | |
| Description: 1412BT 38.425" x 56" Inner Panel | | Detail Rev. |
| Part Number / Numéro Pièce: 1412BT072505DTIP1 | | Rev. 16 0 |

| Qty | Part Number | Rev | Description |
|------------|---------------------|-----|---------------------------------------|
| 1 | STK-P-02401S | 0 | Powder Paint (White / Smooth) |
| 1 | 1412BT072505DTIP1-P | 0 | 1412BT 38.425" x 84" Inner Panel Part |
| Parts List | | | |

This drawing is confidential and must not be reproduced or used without the consent of EXM

Ce dessin est confidentiel et ne doit pas être reproduit ou utilisé sans le consentement de EXM



| No. | Revisions | Date | By/Par |
|-----|-----------|------|--------|
| | | | |
| | | | |
| | | | |
| | | | |
| | | | |

Isometric View

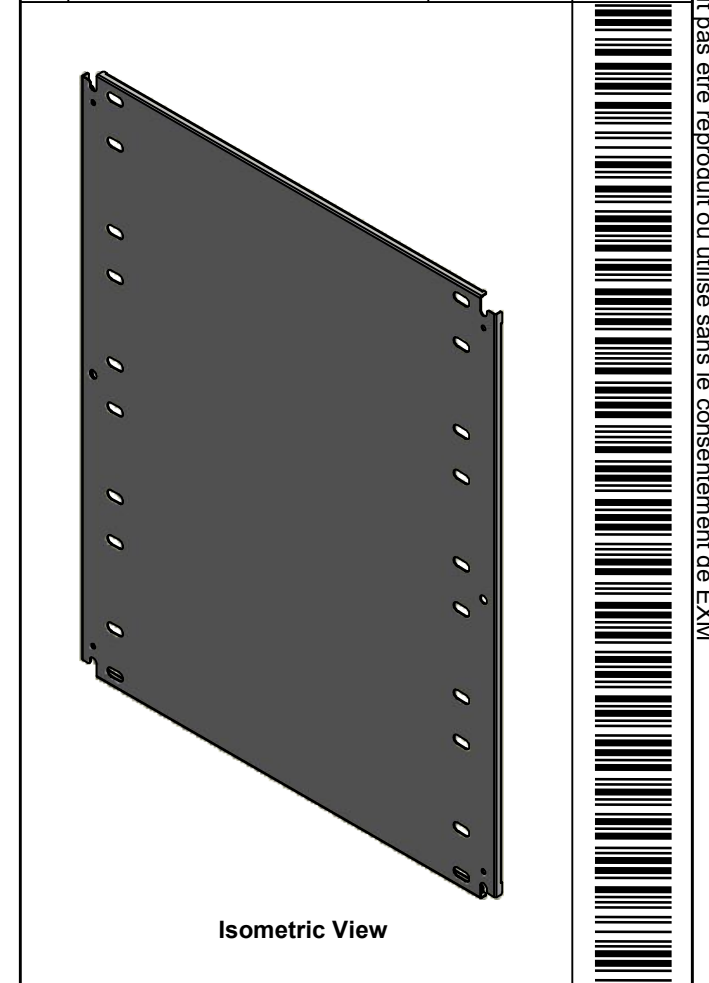
| | | |
|---|---|-----------------------|
| <p>Tél: (450) 979-4373 Fax: (450) 979-4626 www.exmweb.com</p> | Flatness Aplatissement | Max 3.0mm |
| | Projection | |
| Customer Client | Date | |
| Drawn By Dessiné Par | BoxCad: BoxCad | Date 2022-10-06 |
| Material Matière | 14 Ga Cold Rolled A1008 CS Type B (1.7mm) | |
| Color Couleur | White RAL9003 | Finish Fini Smooth |
| Description | Detail Rev. | |
| 1412BT 38.425" x 28" Right Inner Panel | | |
| Part Number Numéro Pièce | Rev. | 17 |
| 1412BT072505DTIP2 | 0 | 18 |


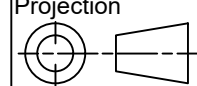
SEE BILL OF MATERIAL ON LAST PAGE

This drawing is confidential and must not be reproduced or used without the consent of EXM

Ce dessin est confidentiel et ne doit pas être reproduit ou utilisé sans le consentement de EXM

| No. | Revisions | Date | By/Par |
|-----|-----------|------|--------|
| | | | |
| | | | |
| | | | |
| | | | |
| | | | |



| | | |
|--|-----------------------|---|
|  Tél: (450) 979-4373 Fax: (450) 979-4626 www.exmweb.com | | Flatness Aplatissement Max 3.0mm |
| Customer Client | | Projection  |
| Drawn By / Dessiné Par: BoxCad: BoxCad | | Date: 2022-10-06 |
| Material / Matière: 14 Ga Cold Rolled A1008 CS Type B (1.7mm) | | |
| Color / Couleur: White RAL9003 | Finish / Fini: Smooth | |
| Description: 1412BT 38.425" x 28" Right Inner Panel | | Detail Rev. |
| Part Number / Numéro Pièce: 1412BT072505DTIP2 | | Rev. 18 0 |

| Qty | Part Number | Rev | Description |
|------------|---------------------|-----|---|
| 1 | STK-P-02401S | 0 | Powder Paint (White / Smooth) |
| 1 | 1412BT072505DTIP2-P | 0 | 1412BT 38.425" x 84" Right Inner Panel Part |
| Parts List | | | |