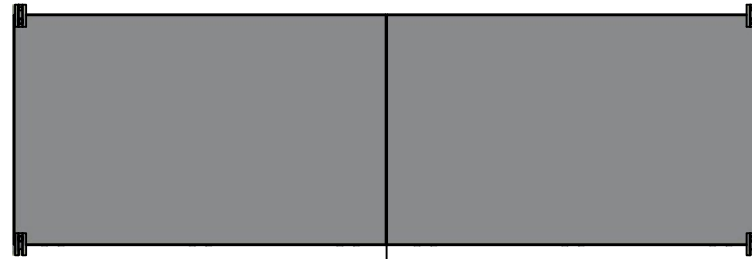


This drawing is confidential and must not be reproduced or used without the consent of EXM

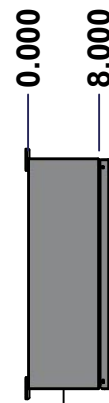
Ce dessin est confidentiel et ne doit pas être reproduit ou utilisé sans le consentement de EXM



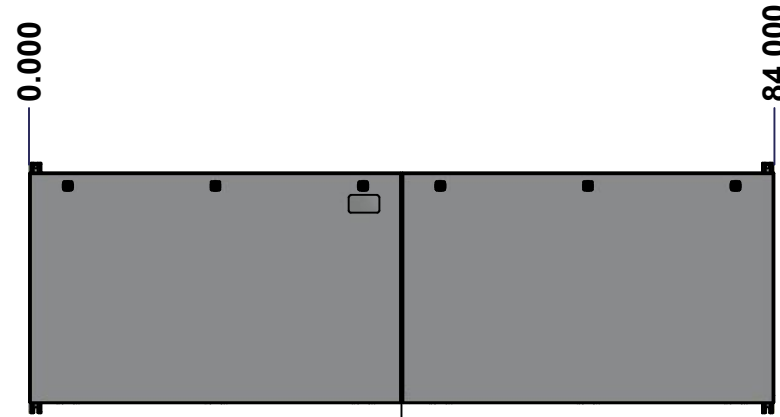
TOP



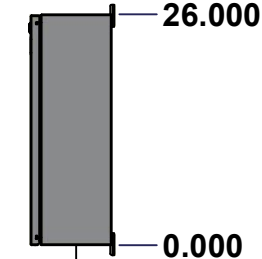
LEFT



LEFT



FRONT

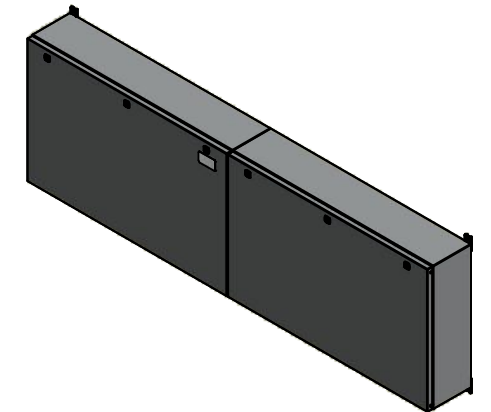


RIGHT



BOTTOM

No.	Revisions	Date	By/Par



Isometric View



Tél: (450) 979-4373
 Fax: (450) 979-4626
www.exmweb.com

Flatness
Aplatissement
Max 3.0mm
Projection

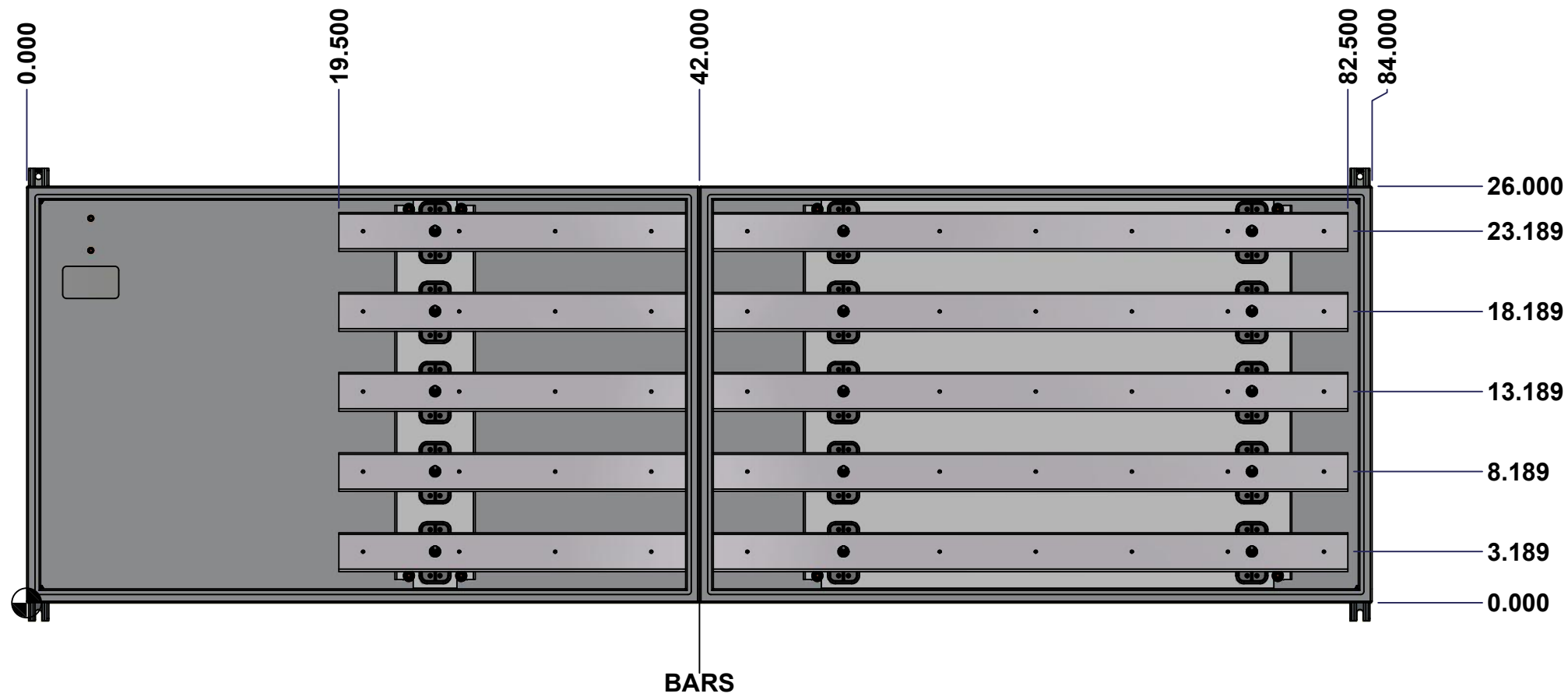
Customer Client	Date
Drawn By Dessiné Par BoxCad: BoxCad	Date 2022-09-30
Material Matière 14 Ga Cold Rolled A1008 CS Type B (1.7mm)	
Color Couleur Asa-61 Grey	Finish Fini Smooth
Description 1412BT 400A - 5Wires x 84" Assembly	Detail Rev.
Part Number Numéro Pièce 1412BT07405DT	Rev. 0

SEE BILL OF MATERIAL ON LAST PAGE

This drawing is confidential and must not be reproduced or used without the consent of Eurobex

Ce dessin est confidentiel et ne doit pas être reproduit ou utilisé sans le consentement de Eurobex

STANDARD FEATURES ARE NOT LISTED IN THIS HOLE TABLE



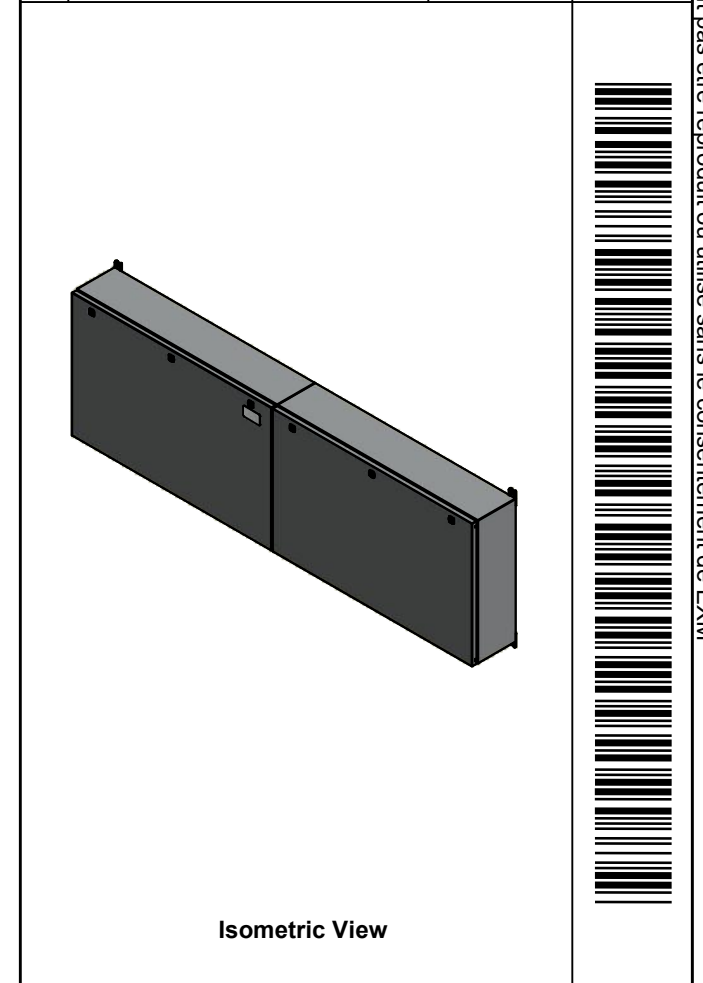
	Description		Status
	1412BT 400A - 5Wires x 84" Assembly		(NULL)
Part Number Numéro Pièce		Rev.	2
1412BT07405DT		0	18

This drawing is confidential and must not be reproduced or used without the consent of EXM

Ce dessin est confidentiel et ne doit pas être reproduit ou utilisé sans le consentement de EXM

NOTE	
ITEM	DESCRIPTION
1	NEMA 4/12 Enclosure
2	C/W Standard ground studs on box and cover
3	W/O Standard door stiffener
4	C/W Special inner panel (Sold separately)
5	C/W Standard inner panel mounting studs

No.	Revisions	Date	By/Par



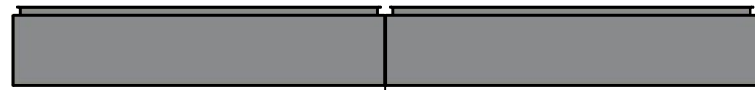
PACKING		
ITEM	QTY	DESCRIPTION
Cardboard sleeve	2	Top and Bottom
Cardboard strip	2	Between back of enclosure and inner panel
Plastic bag	1	To protect cover surface and inside gasket
Cardboard corner	4	To reinforced for the plastic strap tightening
Plastic strap - Black	2	To Squeeze 2 cardboard sleeve together
Packaging label	3	White label with PN
Plastic strap- Green	2	To secure the enclosure to the wood pallet
Wood Pallet	1	2" deeper and 3" larger than enclosure size

1	885 ESMF1	0	885 ESMF1 Mounting Feet Kit
1	1412BT07405DTIP2	0	1412BT 24.625" x 28" Right Inner Panel
1	1412BT07405DTBAR1-P	0	Rounded Edge Aluminum Bar 1/4" x 2 1/2"
1	1412BT07405DTBAR2-P	0	Rounded Edge Aluminum Bar 1/4" x 2 1/2"
1	1412BT07405DTBAR3-P	0	Rounded Edge Aluminum Bar 1/4" x 2 1/2"
1	1412BT07405DTBAR4-P	0	Rounded Edge Aluminum Bar 1/4" x 2 1/2"
1	1412BT07405DTBAR5-P	0	Rounded Edge Aluminum Bar 1/4" x 2 1/2"
1	1412BT07405DTIP1	0	1412BT 24.625" x 56" Inner Panel
15	STK-A-67400	0	Buss Bar Insulator Kit
1	STK-K-01800	5	5412 ES Accessory Kit
6	STK-Q-04050-07	7	M6 x 7mm Hexagon Socket Head Machine Screw with Nyseal
23	STK-Q-07310	2	Flange Lock Nut M8
8	STK-Q-07610	8	M8 Plastic Spacer 22.2mm
1	1412BT07405DTB	0	1412BT 26" x 84" x 8" Body
1	1412BT07405DTC	0	1412BT 26" x 84" Cover
Qty	Part Number	Rev	Description
Parts List			

<p>Tél: (450) 979-4373 Fax: (450) 979-4626 www.exmweb.com</p>	Flatness Aplatissement
	Max 3.0mm
	Projection
Customer Client	Date
Drawn By Dessiné Par	Date 2022-09-30
BoxCad: BoxCad	
Material Matière	14 Ga Cold Rolled A1008 CS Type B (1.7mm)
Color Couleur	Asa-61 Grey
Finish Fini	Smooth
Description	Detail Rev.
1412BT 400A - 5Wires x 84" Assembly	
Part Number Numéro Pièce	Rev. 3
1412BT07405DT	0

This drawing is confidential and must not be reproduced or used without the consent of EXM

Ce dessin est confidentiel et ne doit pas être reproduit ou utilisé sans le consentement de EXM



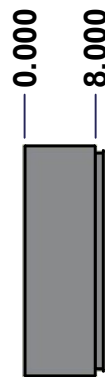
TOP



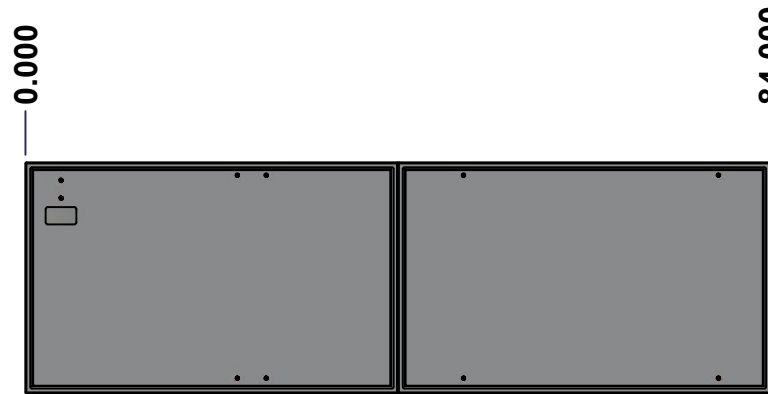
BACK



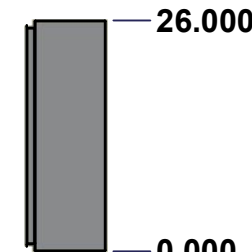
BOTTOM



LEFT

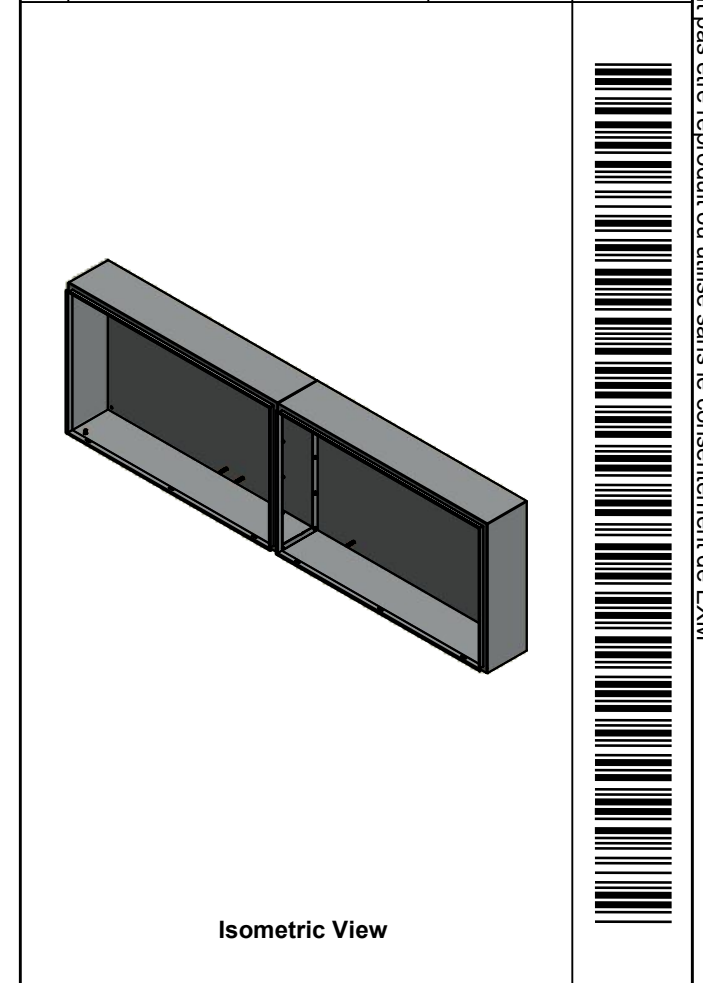


FRONT


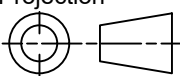


RIGHT

No.	Revisions	Date	By/Par



Isometric View

 Tél: (450) 979-4373 Fax: (450) 979-4626 www.exmweb.com		Flatness Aplatissement Max 3.0mm Projection 
Customer Client	Date	
Drawn By Dessiné Par	BoxCad: BoxCad	Date 2022-09-30
Material Matière	14 Ga Cold Rolled A1008 CS Type B (1.7mm)	
Color Couleur	Asa-61 Grey	Finish Fini Smooth
Description 1412BT 26" x 84" x 8" Body		Detail Rev.
Part Number Numéro Pièce	1412BT07405DTB	Rev. 4 0

SEE BILL OF MATERIAL ON LAST PAGE

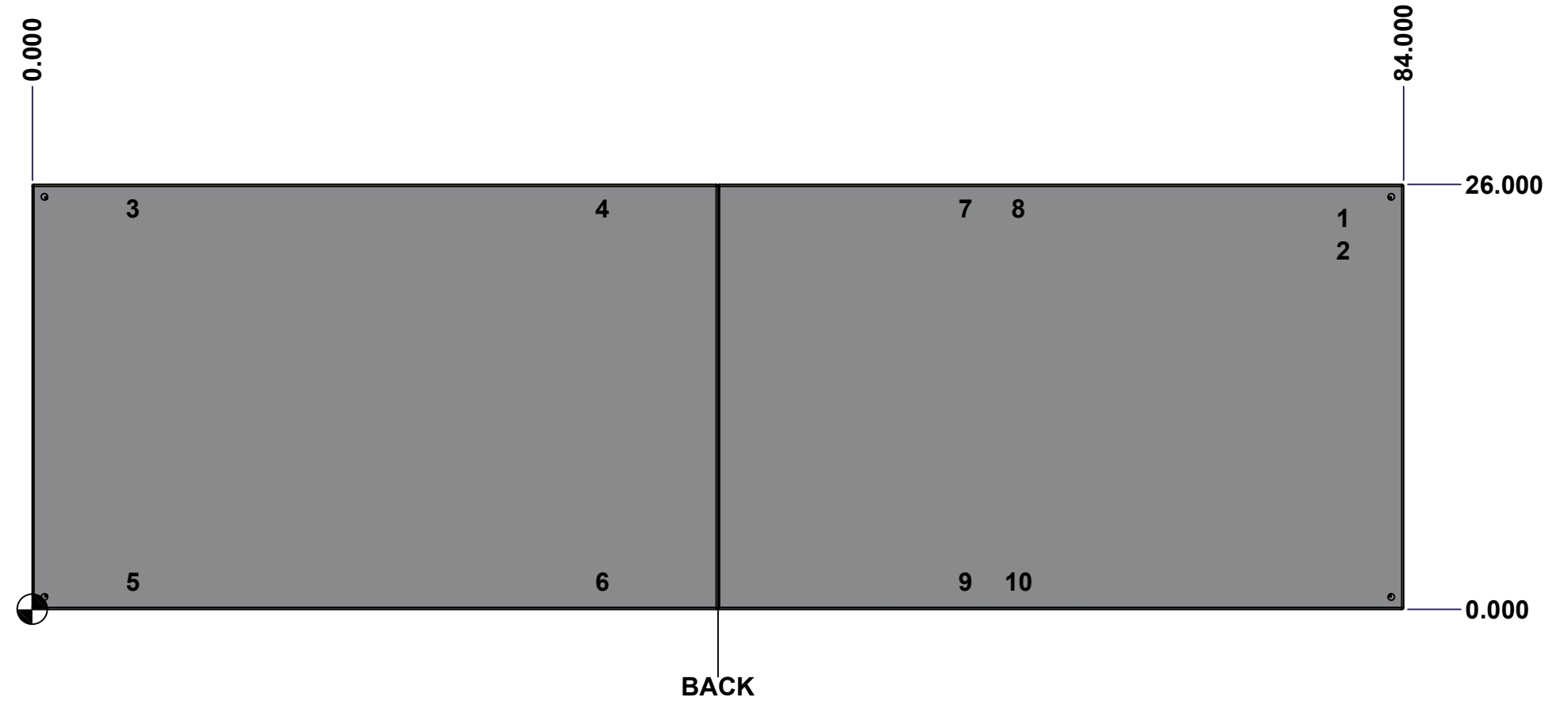
This drawing is confidential and must not be reproduced or used without the consent of Eurobox

Ce dessin est confidentiel et ne doit pas être reproduit ou utilisé sans le consentement de Eurobox

STANDARD FEATURES ARE NOT LISTED IN THIS HOLE TABLE

HOLE TABLE - BACK VIEW (CUSTOM FEATURE ONLY)

CUT-OUT	XDIM	YDIM	DESCRIPTION
1	80.000	24.000	GND STUD M8 x 35mm (Inside)
2	80.000	22.000	GND STUD M8 x 35mm (Inside)
3	5.875	24.563	IP STUD M8 x 35mm (Inside)
4	34.625	24.563	IP STUD M8 x 35mm (Inside)
5	5.875	1.688	IP STUD M8 x 35mm (Inside)
6	34.625	1.688	IP STUD M8 x 35mm (Inside)
7	56.875	24.563	IP STUD M8 x 35mm (Inside)
8	60.125	24.563	IP STUD M8 x 35mm (Inside)
9	56.875	1.688	IP STUD M8 x 35mm (Inside)
10	60.125	1.688	IP STUD M8 x 35mm (Inside)

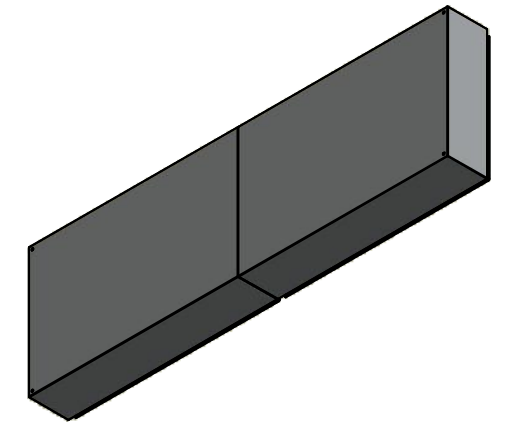


	Description 1412BT 26" x 84" x 8" Body	Status (NULL)
	Part Number Numéro Pièce 1412BT07405DTB	Rev. 5 0 / 18

This drawing is confidential and must not be reproduced or used without the consent of EXM


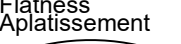
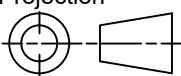
Ce dessin est confidentiel et ne doit pas être reproduit ou utilisé sans le consentement de EXM

No.	Revisions	Date	By/Par



Isometric View



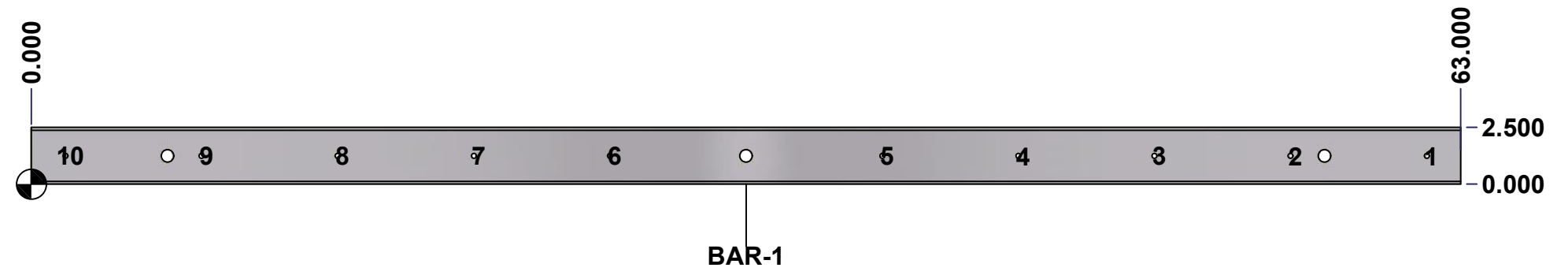
 Tél: (450) 979-4373 Fax: (450) 979-4626 www.exmweb.com		Flatness Aplatissement  Max 3.0mm
Projection 		Date 2022-09-30
Customer Client		Date 2022-09-30
Drawn By Dessiné Par BoxCad: BoxCad		Date 2022-09-30
Material Matière 14 Ga Cold Rolled A1008 CS Type B (1.7mm)		
Color Couleur Asa-61 Grey	Finish Fini Smooth	
Description 1412BT 26" x 84" x 8" Body		Detail Rev.
Part Number Numéro Pièce 1412BT07405DTB		Rev. 6 0

Qty	Part Number	Rev	Description
1	STK-P-02400S	0	Powder Paint (Asa-61 Grey / Smooth)
1	1412BT07405DTB-P	0	1412BT 26" x 84" x 8" Body Part
1	1412BT07405DTE-P	0	1412BT 26" x 84" x 8" Right Body Part
1	STK-G-00701	0	1" x 1/4" Self-Adhesive Neoprene Gasket
10	STK-Q-00260	1	M6 x 13mm Carriage Bolt
10	STK-Q-07220	1	M6 Nylon Insert Lock Nut
10	STK-Q-16005	1	Stud M8 x 35 (No Paint Cap Required)
2	STK-Q-16080	0	Ground Stud M6 x 16mm
1	STK-S-00100	0	3.5" x 2" Silver Milar Flexcon Sticker
Parts List			

This drawing is confidential and must not be reproduced or used without the consent of Eurobox

Ce dessin est confidentiel et ne doit pas être reproduit ou utilisé sans le consentement de Eurobox

STANDARD FEATURES ARE NOT LISTED IN THIS HOLE TABLE			
HOLE TABLE - FRONT VIEW (CUSTOM FEATURE ONLY)			
CUT-OUT	XDIM	YDIM	DESCRIPTION
1	61.500	1.250	RND Ø0.201 THREAD 1/4-20 UNC
2	55.500	1.250	RND Ø0.201 THREAD 1/4-20 UNC
3	49.500	1.250	RND Ø0.201 THREAD 1/4-20 UNC
4	43.500	1.250	RND Ø0.201 THREAD 1/4-20 UNC
5	37.500	1.250	RND Ø0.201 THREAD 1/4-20 UNC
6	25.500	1.250	RND Ø0.201 THREAD 1/4-20 UNC
7	19.500	1.250	RND Ø0.201 THREAD 1/4-20 UNC
8	13.500	1.250	RND Ø0.201 THREAD 1/4-20 UNC
9	7.500	1.250	RND Ø0.201 THREAD 1/4-20 UNC
10	1.500	1.250	RND Ø0.201 THREAD 1/4-20 UNC

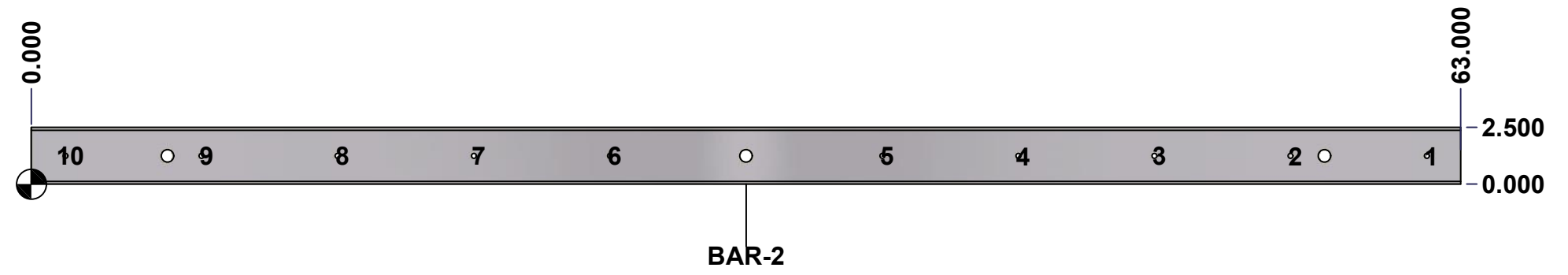


	Description	Status
	Rounded Edge Aluminum Bar 1/4" x 2 1/2"	(NULL)
	Part Number Numéro Pièce	Rev.
	1412BT07405DTBAR1-P	0 / 7
		18

This drawing is confidential and must not be reproduced or used without the consent of Eurobox

Ce dessin est confidentiel et ne doit pas être reproduit ou utilisé sans le consentement de Eurobox

STANDARD FEATURES ARE NOT LISTED IN THIS HOLE TABLE			
HOLE TABLE - FRONT VIEW (CUSTOM FEATURE ONLY)			
CUT-OUT	XDIM	YDIM	DESCRIPTION
1	61.500	1.250	RND Ø0.201 THREAD 1/4-20 UNC
2	55.500	1.250	RND Ø0.201 THREAD 1/4-20 UNC
3	49.500	1.250	RND Ø0.201 THREAD 1/4-20 UNC
4	43.500	1.250	RND Ø0.201 THREAD 1/4-20 UNC
5	37.500	1.250	RND Ø0.201 THREAD 1/4-20 UNC
6	25.500	1.250	RND Ø0.201 THREAD 1/4-20 UNC
7	19.500	1.250	RND Ø0.201 THREAD 1/4-20 UNC
8	13.500	1.250	RND Ø0.201 THREAD 1/4-20 UNC
9	7.500	1.250	RND Ø0.201 THREAD 1/4-20 UNC
10	1.500	1.250	RND Ø0.201 THREAD 1/4-20 UNC

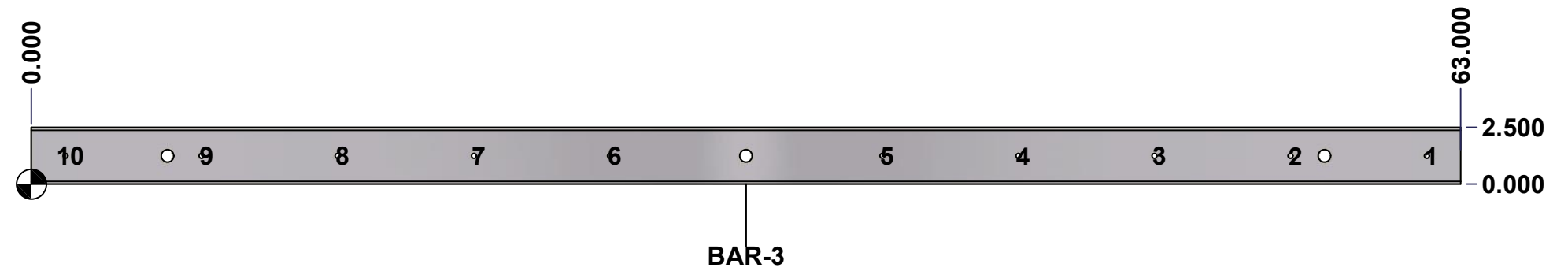


	Description	Status
	Rounded Edge Aluminum Bar 1/4" x 2 1/2"	(NULL)
	Part Number	Rev.
	Numéro Pièce	8
	1412BT07405DTBAR2-P	0
		18

This drawing is confidential and must not be reproduced or used without the consent of Eurobox

Ce dessin est confidentiel et ne doit pas être reproduit ou utilisé sans le consentement de Eurobox

STANDARD FEATURES ARE NOT LISTED IN THIS HOLE TABLE			
HOLE TABLE - FRONT VIEW (CUSTOM FEATURE ONLY)			
CUT-OUT	XDIM	YDIM	DESCRIPTION
1	61.500	1.250	RND Ø0.201 THREAD 1/4-20 UNC
2	55.500	1.250	RND Ø0.201 THREAD 1/4-20 UNC
3	49.500	1.250	RND Ø0.201 THREAD 1/4-20 UNC
4	43.500	1.250	RND Ø0.201 THREAD 1/4-20 UNC
5	37.500	1.250	RND Ø0.201 THREAD 1/4-20 UNC
6	25.500	1.250	RND Ø0.201 THREAD 1/4-20 UNC
7	19.500	1.250	RND Ø0.201 THREAD 1/4-20 UNC
8	13.500	1.250	RND Ø0.201 THREAD 1/4-20 UNC
9	7.500	1.250	RND Ø0.201 THREAD 1/4-20 UNC
10	1.500	1.250	RND Ø0.201 THREAD 1/4-20 UNC

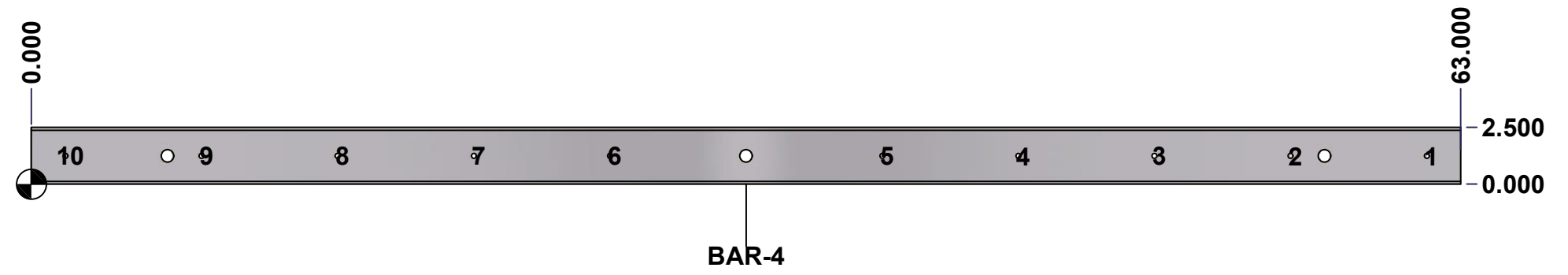


	Description	Status
	Rounded Edge Aluminum Bar 1/4" x 2 1/2"	(NULL)
	Part Number Numéro Pièce	Rev.
	1412BT07405DTBAR3-P	0 / 9
		18

This drawing is confidential and must not be reproduced or used without the consent of Eurobox

Ce dessin est confidentiel et ne doit pas être reproduit ou utilisé sans le consentement de Eurobox

STANDARD FEATURES ARE NOT LISTED IN THIS HOLE TABLE			
HOLE TABLE - FRONT VIEW (CUSTOM FEATURE ONLY)			
CUT-OUT	XDIM	YDIM	DESCRIPTION
1	61.500	1.250	RND Ø0.201 THREAD 1/4-20 UNC
2	55.500	1.250	RND Ø0.201 THREAD 1/4-20 UNC
3	49.500	1.250	RND Ø0.201 THREAD 1/4-20 UNC
4	43.500	1.250	RND Ø0.201 THREAD 1/4-20 UNC
5	37.500	1.250	RND Ø0.201 THREAD 1/4-20 UNC
6	25.500	1.250	RND Ø0.201 THREAD 1/4-20 UNC
7	19.500	1.250	RND Ø0.201 THREAD 1/4-20 UNC
8	13.500	1.250	RND Ø0.201 THREAD 1/4-20 UNC
9	7.500	1.250	RND Ø0.201 THREAD 1/4-20 UNC
10	1.500	1.250	RND Ø0.201 THREAD 1/4-20 UNC

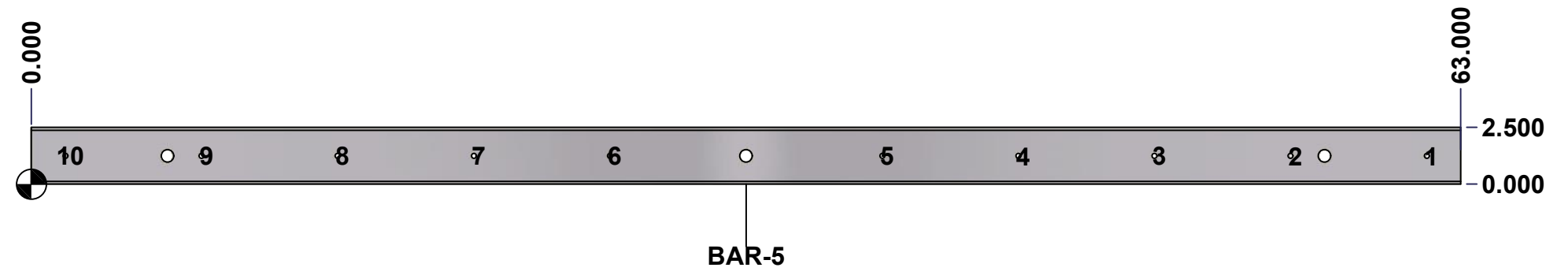


	Description	Status
	Rounded Edge Aluminum Bar 1/4" x 2 1/2"	(NULL)
	Part Number Numéro Pièce	Rev.
	1412BT07405DTBAR4-P	0
		10
		18

This drawing is confidential and must not be reproduced or used without the consent of Eurobox

Ce dessin est confidentiel et ne doit pas être reproduit ou utilisé sans le consentement de Eurobox

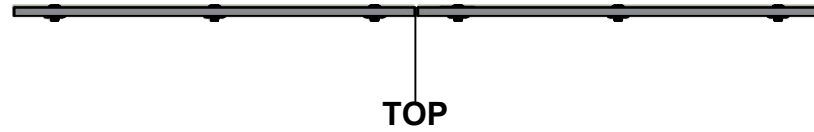
STANDARD FEATURES ARE NOT LISTED IN THIS HOLE TABLE			
HOLE TABLE - FRONT VIEW (CUSTOM FEATURE ONLY)			
CUT-OUT	XDIM	YDIM	DESCRIPTION
1	61.500	1.250	RND Ø0.201 THREAD 1/4-20 UNC
2	55.500	1.250	RND Ø0.201 THREAD 1/4-20 UNC
3	49.500	1.250	RND Ø0.201 THREAD 1/4-20 UNC
4	43.500	1.250	RND Ø0.201 THREAD 1/4-20 UNC
5	37.500	1.250	RND Ø0.201 THREAD 1/4-20 UNC
6	25.500	1.250	RND Ø0.201 THREAD 1/4-20 UNC
7	19.500	1.250	RND Ø0.201 THREAD 1/4-20 UNC
8	13.500	1.250	RND Ø0.201 THREAD 1/4-20 UNC
9	7.500	1.250	RND Ø0.201 THREAD 1/4-20 UNC
10	1.500	1.250	RND Ø0.201 THREAD 1/4-20 UNC



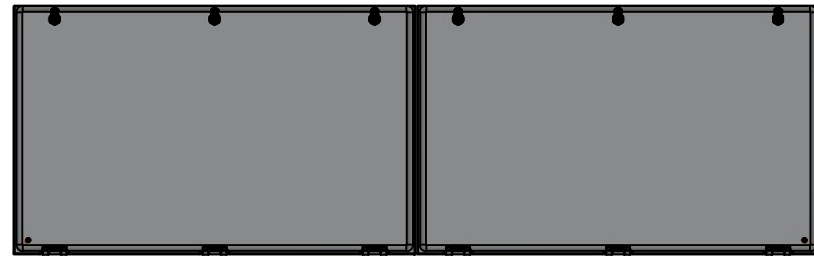
	Description	Status
	Rounded Edge Aluminum Bar 1/4" x 2 1/2"	(NULL)
	Part Number Numéro Pièce	Rev.
	1412BT07405DTBAR5-P	0
		11
		18

This drawing is confidential and must not be reproduced or used without the consent of EXM

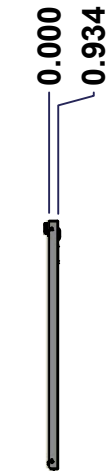
Ce dessin est confidentiel et ne doit pas être reproduit ou utilisé sans le consentement de EXM



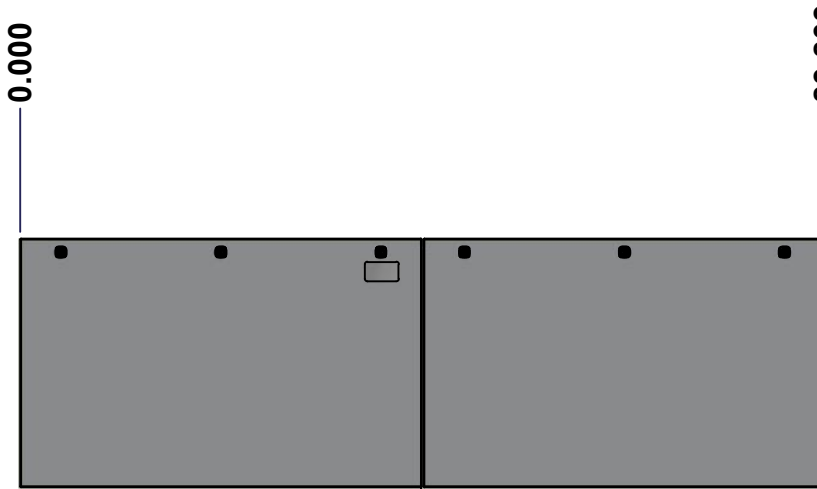
TOP



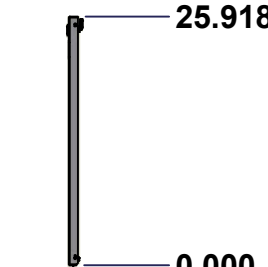
BACK



LEFT



FRONT



RIGHT



BOTTOM

No.	Revisions	Date	By/Par

Isometric View

Tél: (450) 979-4373 Fax: (450) 979-4626 www.exmweb.com		Flatness Aplatissement
		Max 3.0mm
Customer Client		Date
Drawn By Dessiné Par BoxCad: BoxCad		Date 2022-09-30
Material Matière 14 Ga Cold Rolled A1008 CS Type B (1.7mm)		
Color Couleur Asa-61 Grey	Finish Fini Smooth	
Description 1412BT 26" x 84" Cover		Detail Rev.
Part Number Numéro Pièce 1412BT07405DTC		Rev. 12 0 18

SEE BILL OF MATERIAL ON LAST PAGE

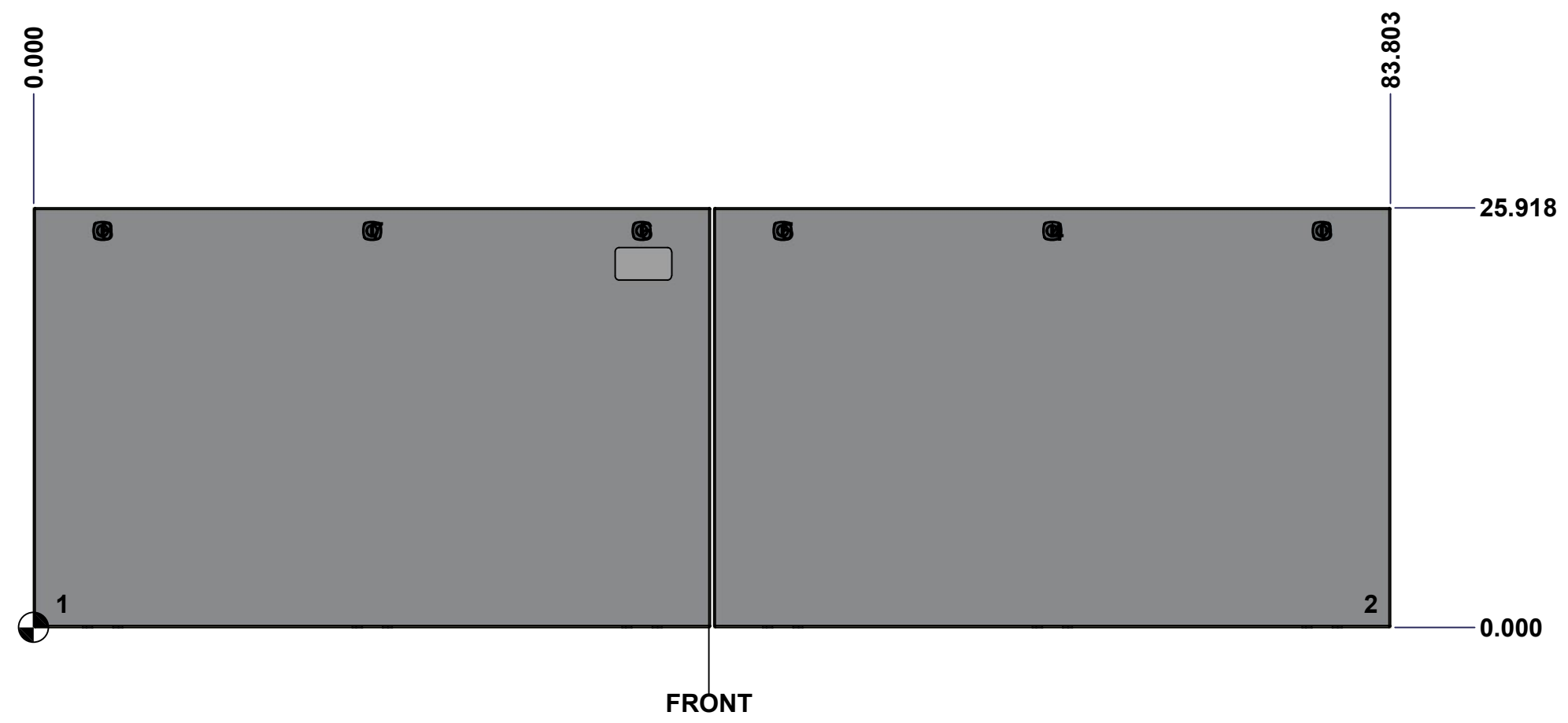
This drawing is confidential and must not be reproduced or used without the consent of Eurobox

Ce dessin est confidentiel et ne doit pas être reproduit ou utilisé sans le consentement de Eurobox

STANDARD FEATURES ARE NOT LISTED IN THIS HOLE TABLE

HOLE TABLE - FRONT VIEW (CUSTOM FEATURE ONLY)

CUT-OUT	XDIM	YDIM	DESCRIPTION
1	1.500	1.486	GND STUD M6 x 16mm (Inside)
2	82.303	1.486	GND STUD M6 x 16mm (Inside)
3	79.553	24.494	LOCK 880 SCQ4-SL @ 90.0°
4	62.902	24.494	LOCK 880 SCQ4-SL @ 90.0°
5	46.250	24.494	LOCK 880 SCQ4-SL @ 90.0°
6	37.553	24.494	LOCK 880 SCQ4-SL @ 90.0°
7	20.902	24.494	LOCK 880 SCQ4-SL @ 90.0°
8	4.250	24.494	LOCK 880 SCQ4-SL @ 90.0°

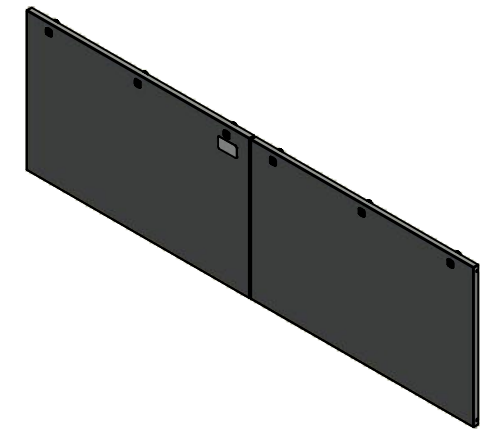


	Description	Status	
	1412BT 26" x 84" Cover	(NULL)	
	Part Number Numéro Pièce	Rev.	13
	1412BT07405DTC	0	18

This drawing is confidential and must not be reproduced or used without the consent of EXM


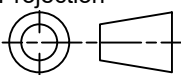
Ce dessin est confidentiel et ne doit pas être reproduit ou utilisé sans le consentement de EXM

No.	Revisions	Date	By/Par



Isometric View

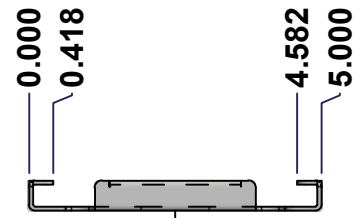


 Tél: (450) 979-4373 Fax: (450) 979-4626 www.exmweb.com	Flatness Aplatissement	Max 3.0mm
	Projection	
Customer Client	Date	
Drawn By Dessiné Par	BoxCad: BoxCad	Date 2022-09-30
Material Matière	14 Ga Cold Rolled A1008 CS Type B (1.7mm)	
Color Couleur	Asa-61 Grey	Finish Fini Smooth
Description	Detail Rev.	
1412BT 26" x 84" Cover		
Part Number Numéro Pièce	Rev. 0	14 / 18
1412BT07405DTC		

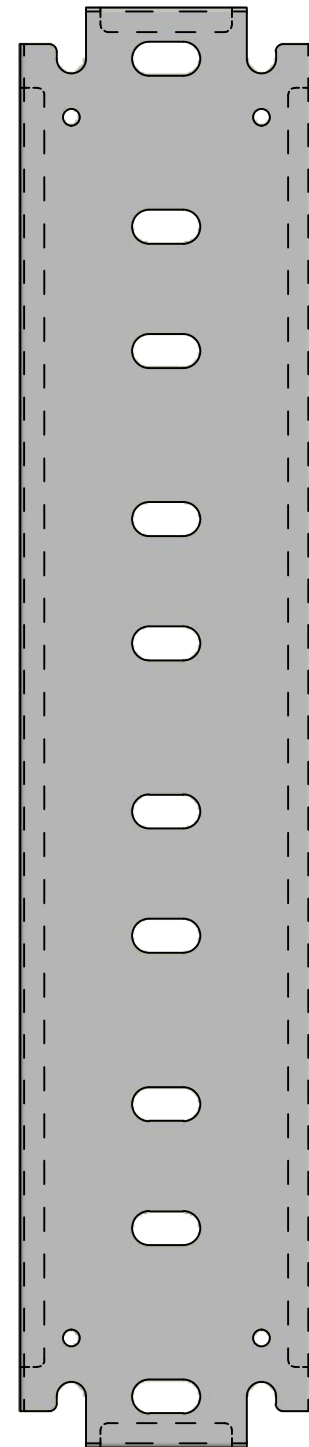
Qty	Part Name	Rev	Description
2	1412BT07405DTG	0	1412BT 26" x 84" Cover Gasket
1	STK-P-02400S	0	Powder Paint (Asa-61 Grey / Smooth)
6	STK-K-09800	10	5412 ES Hinge with 2 Captive Hinge Pins
2	STK-Q-16080	0	Ground Stud M6 x 16mm
1	STK-S-00100	0	3.5" x 2" Silver Milar Flexcon Sticker
1	1412BT07405DTC-P	0	1412BT 26" x 84" Cover Part
1	1412BT07405DTF-P	0	1412BT 26" x 84" Right Cover Part
6	880 SCQ4-SL	6	5412 ES 1/4 Turn Lock
Parts List			

This drawing is confidential and must not be reproduced or used without the consent of EXM

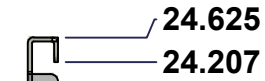
Ce dessin est confidentiel et ne doit pas être reproduit ou utilisé sans le consentement de EXM



TOP



FRONT

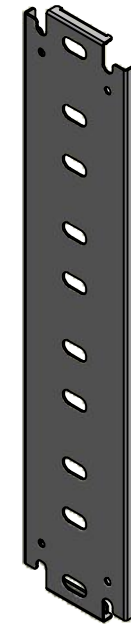


RIGHT



SEE BILL OF MATERIAL ON LAST PAGE

No.	Revisions	Date	By/Par



Isometric View

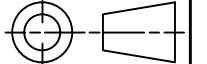


Tél: (450) 979-4373
 Fax: (450) 979-4626
www.exmweb.com

Flatness
Aplatissement

Max 3.0mm

Projection



Customer Client	Date
Drawn By / Dessiné Par: BoxCad: BoxCad	Date: 2022-09-30
Material / Matière: 14 Ga Cold Rolled A1008 CS Type B (1.7mm)	

Color / Couleur: White RAL9003	Finish / Fini: Smooth
--------------------------------	-----------------------

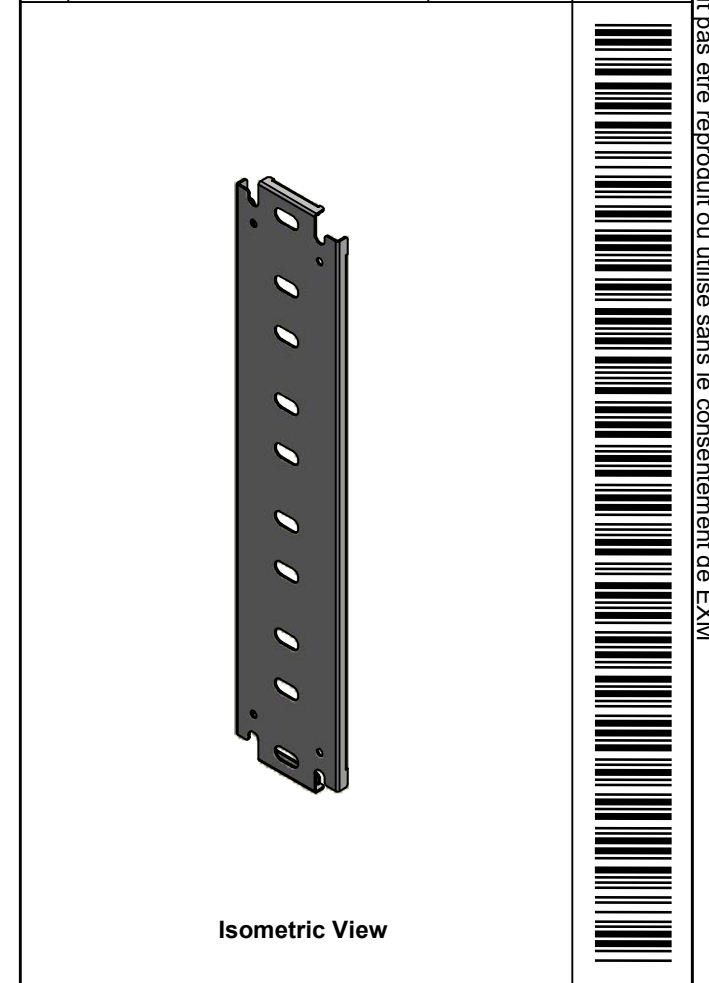
Description: 1412BT 24.625" x 56" Inner Panel	Detail Rev.
---	-------------

Part Number / Numéro Pièce: 1412BT07405DTIP1	Rev. 0	15	18
--	--------	----	----


This drawing is confidential and must not be reproduced or used without the consent of EXM

Ce dessin est confidentiel et ne doit pas être reproduit ou utilisé sans le consentement de EXM

No.	Revisions	Date	By/Par



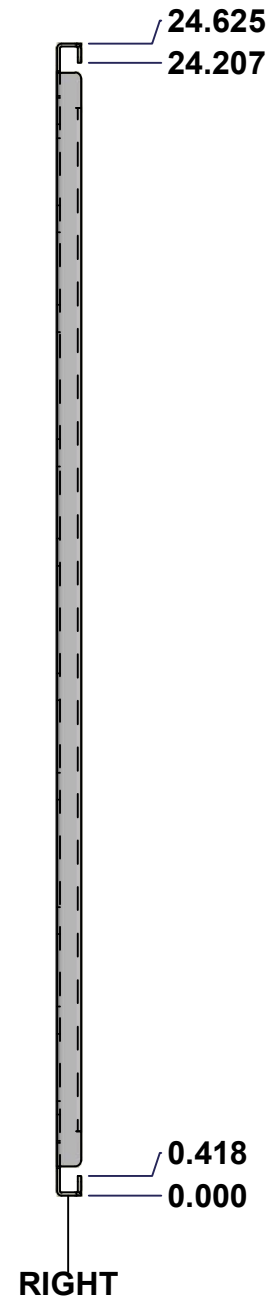
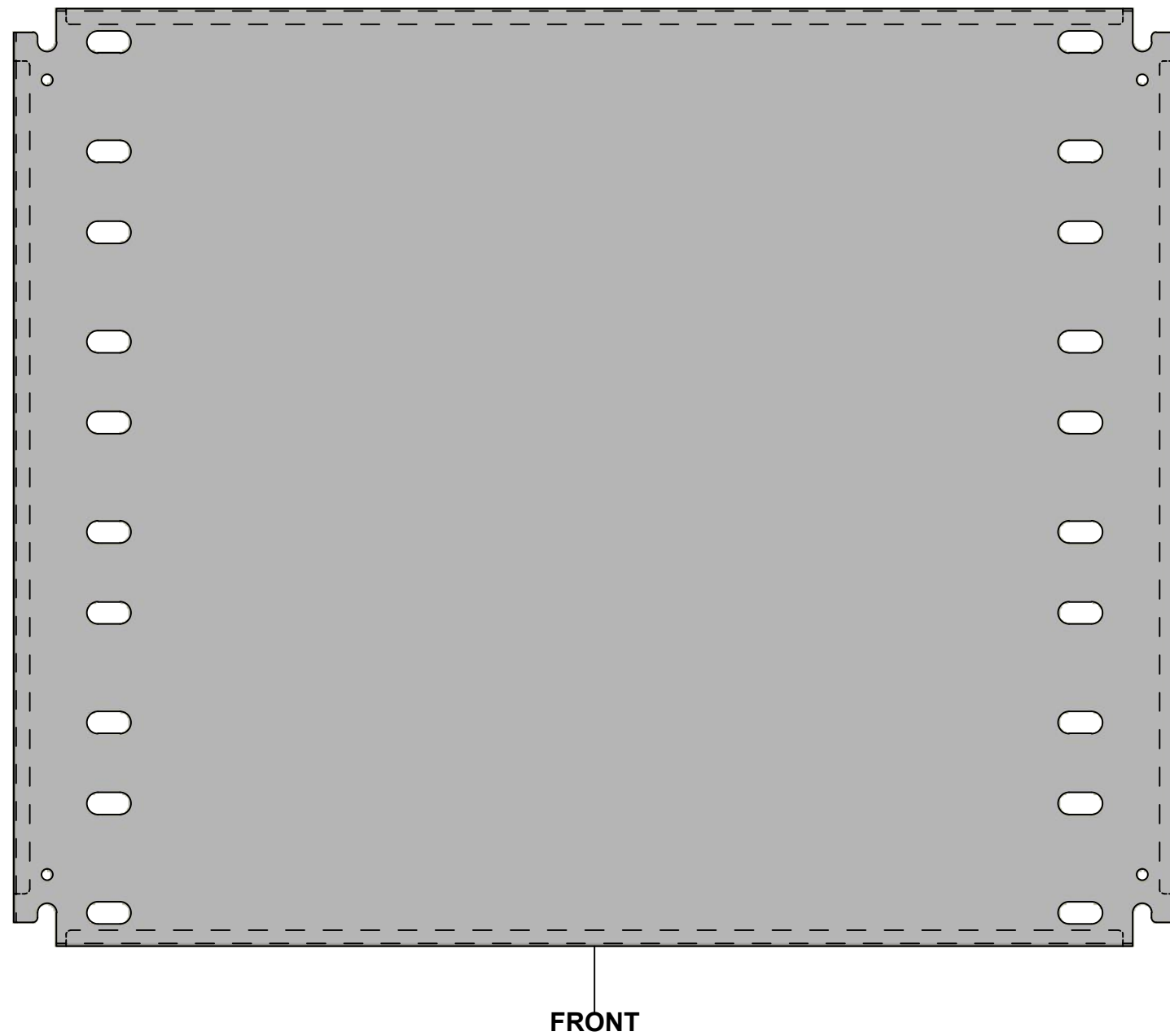
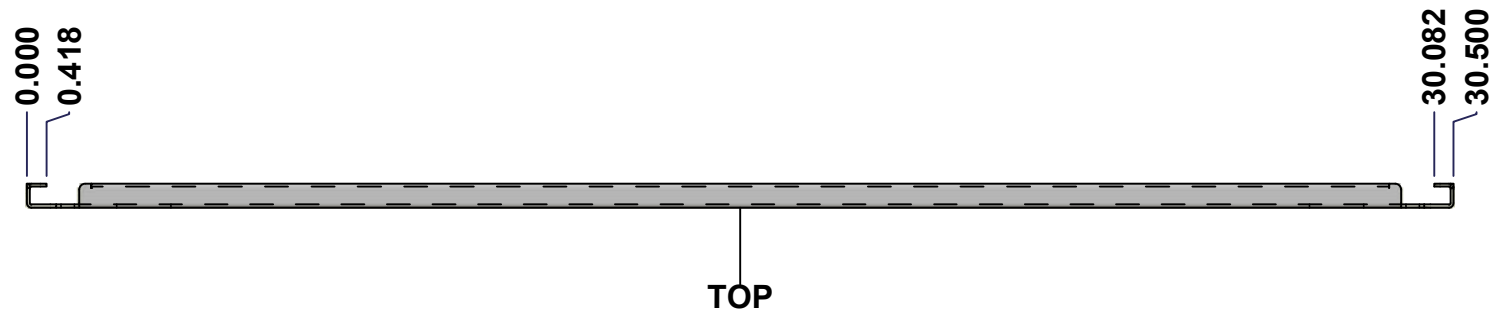
Isometric View

 Tél: (450) 979-4373 Fax: (450) 979-4626 www.exmweb.com		Flatness Aplatissement Max 3.0mm
Customer Client		Date
Drawn By / Dessiné Par: BoxCad: BoxCad		Date: 2022-09-30
Material / Matière: 14 Ga Cold Rolled A1008 CS Type B (1.7mm)		
Color / Couleur: White RAL9003	Finish / Fini: Smooth	
Description: 1412BT 24.625" x 56" Inner Panel		Detail Rev.
Part Number / Numéro Pièce: 1412BT07405DTIP1		Rev. 16 0

Qty	Part Number	Rev	Description
1	STK-P-02401S	0	Powder Paint (White / Smooth)
1	1412BT07405DTIP1-P	0	1412BT 24.625" x 84" Inner Panel Part
Parts List			

This drawing is confidential and must not be reproduced or used without the consent of EXM

Ce dessin est confidentiel et ne doit pas être reproduit ou utilisé sans le consentement de EXM



No.	Revisions	Date	By/Par

Isometric View

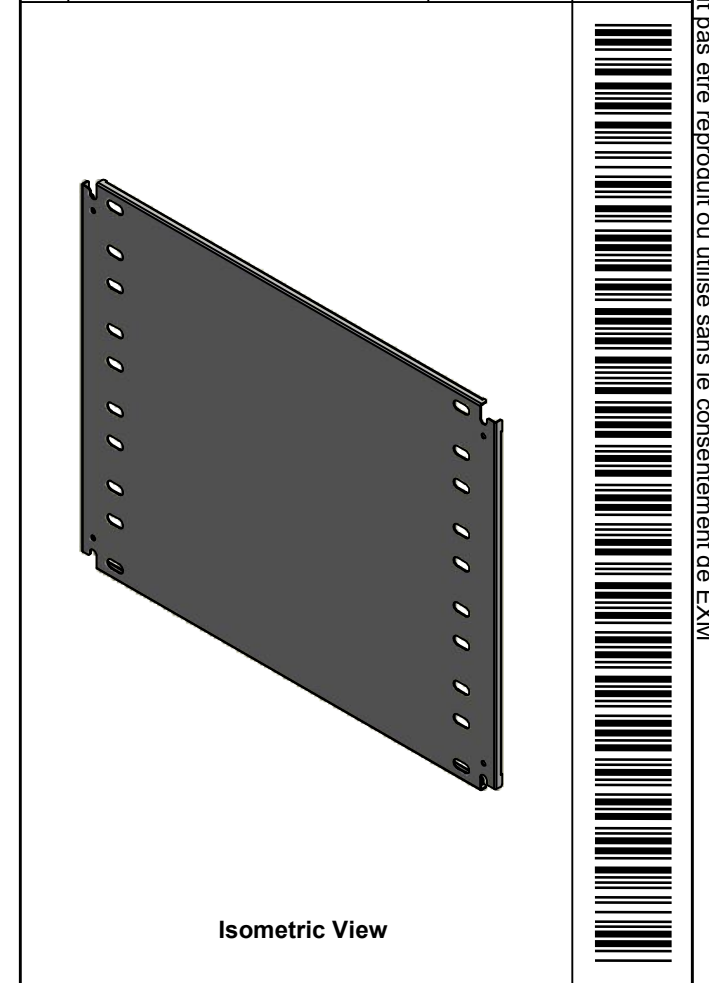
<p>Tél: (450) 979-4373 Fax: (450) 979-4626 www.exmweb.com</p>	Flatness Aplatissement	Max 3.0mm
	Projection	
Customer Client	Date	
Drawn By Dessiné Par	BoxCad: BoxCad	Date 2022-09-30
Material Matière	14 Ga Cold Rolled A1008 CS Type B (1.7mm)	
Color Couleur	White RAL9003	Finish Fini Smooth
Description		Detail Rev.
1412BT 24.625" x 28" Right Inner Panel		
Part Number Numéro Pièce	Rev.	17
1412BT07405DTIP2	0	18


SEE BILL OF MATERIAL ON LAST PAGE

This drawing is confidential and must not be reproduced or used without the consent of EXM

Ce dessin est confidentiel et ne doit pas être reproduit ou utilisé sans le consentement de EXM

No.	Revisions	Date	By/Par



 Tél: (450) 979-4373 Fax: (450) 979-4626 www.exmweb.com		Flatness Aplatissement Max 3.0mm
Customer Client		Date
Drawn By / Dessiné Par: BoxCad: BoxCad		Date: 2022-09-30
Material / Matière: 14 Ga Cold Rolled A1008 CS Type B (1.7mm)		
Color / Couleur: White RAL9003	Finish / Fini: Smooth	
Description: 1412BT 24.625" x 28" Right Inner Panel		Detail Rev.
Part Number / Numéro Pièce: 1412BT07405DTIP2		Rev. 0 / 18

Qty	Part Number	Rev	Description
1	STK-P-02401S	0	Powder Paint (White / Smooth)
1	1412BT07405DTIP2-P	0	1412BT 24.625" x 84" Right Inner Panel Part
Parts List			