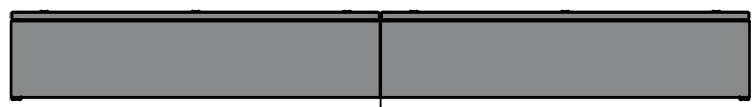


This drawing is confidential and must not be reproduced or used without the consent of EXM

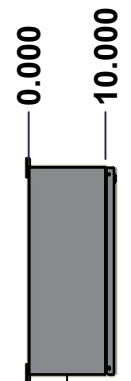
Ce dessin est confidentiel et ne doit pas être reproduit ou utilisé sans le consentement de EXM



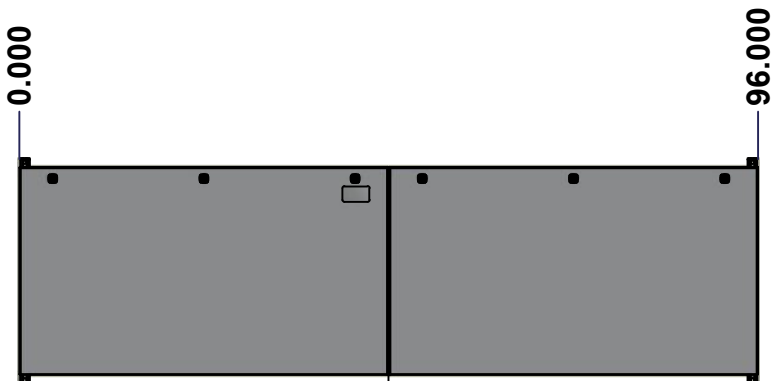
TOP



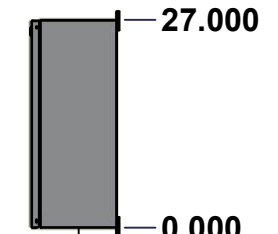
LEFT



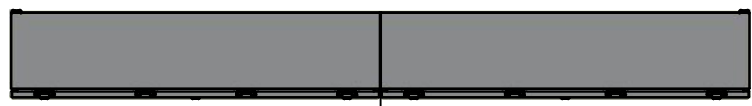
LEFT



FRONT

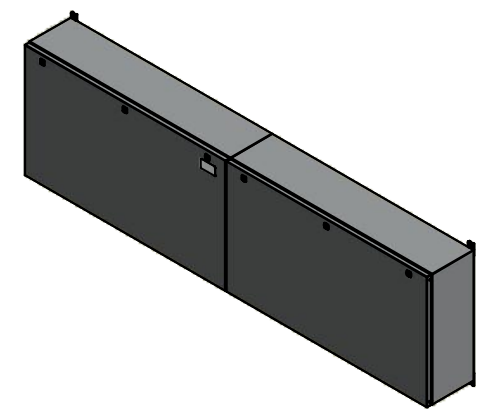


RIGHT



BOTTOM

No.	Revisions	Date	By/Par



Isometric View



Tél: (450) 979-4373
 Fax: (450) 979-4626
www.exmweb.com

Flatness
Aplatissement
Max 3.0mm
Projection

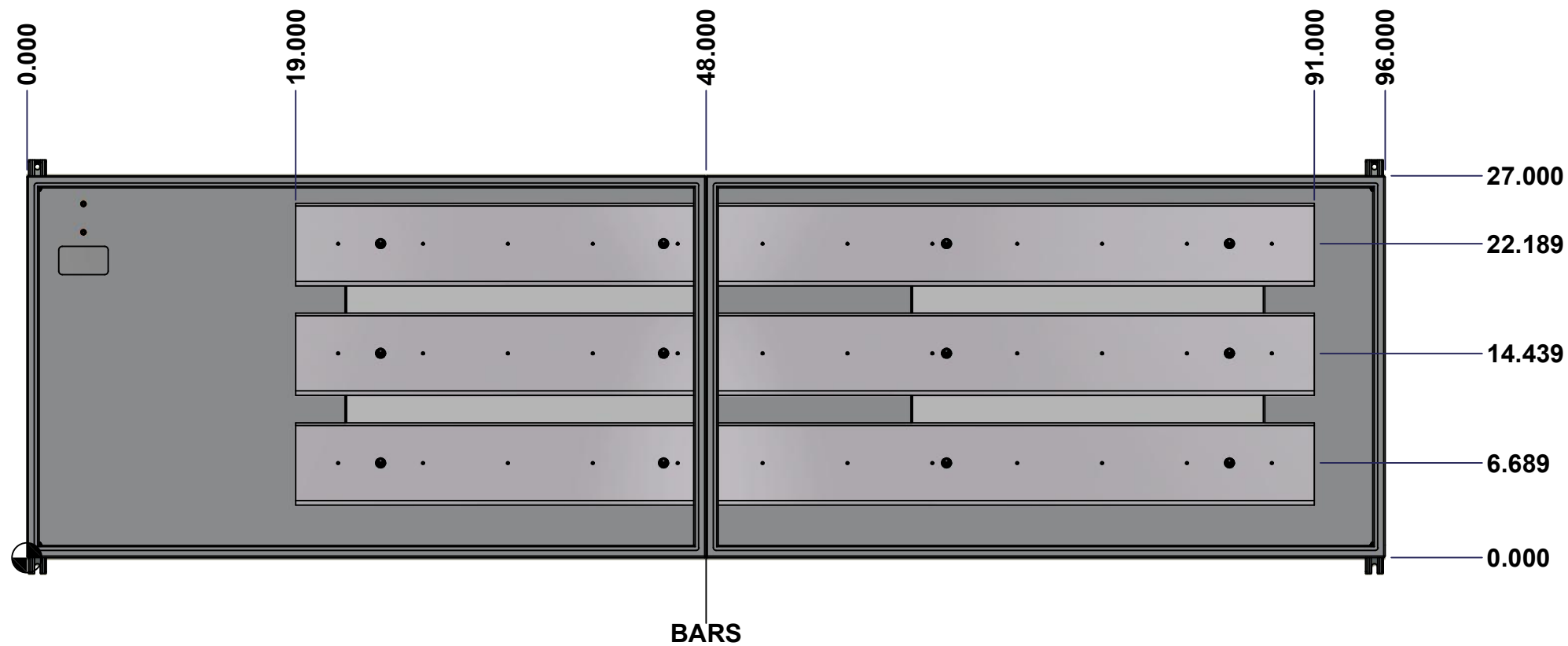
Customer Client	Date
Drawn By Dessiné Par BoxCad: BoxCad	Date 10/5/2022
Material Matière 14 Ga Cold Rolled A1008 CS Type B (1.7mm)	
Color Couleur Asa-61 Grey	Finish Fini Smooth
Description 1412BT 1600A - 3Wires x 96" Assembly	Detail Rev.
Part Number Numéro Pièce 1412BT081603DT	Rev. 0

SEE BILL OF MATERIAL ON LAST PAGE

This drawing is confidential and must not be reproduced or used without the consent of Eurobox

STANDARD FEATURES ARE NOT LISTED IN THIS HOLE TABLE

Ce dessin est confidentiel et ne doit pas être reproduit ou utilisé sans le consentement de Eurobox



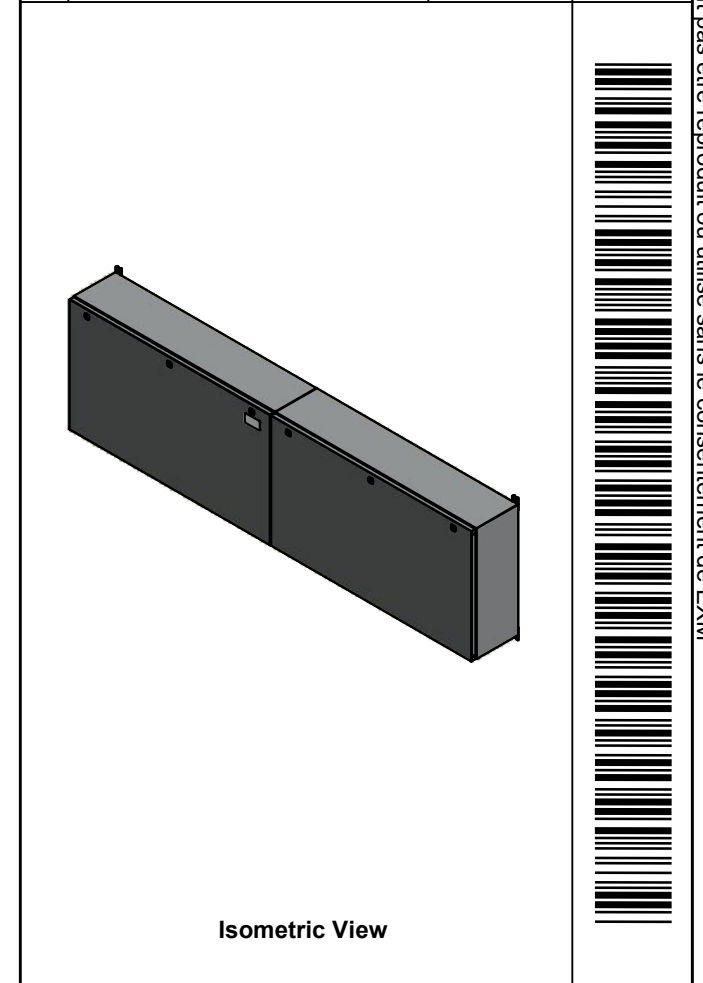
	Description	Status
	1412BT 1600A - 3Wires x 96" Assembly	(NULL)
	Part Number Numéro Pièce	Rev.
	1412BT081603DT	0
		2
		16

This drawing is confidential and must not be reproduced or used without the consent of EXM

Ce dessin est confidentiel et ne doit pas être reproduit ou utilisé sans le consentement de EXM


NOTE	
ITEM	DESCRIPTION
1	NEMA 4/12 Enclosure
2	C/W Standard ground studs on box and cover
3	W/O Standard door stiffener
4	C/W Special inner panel (Sold separately)
5	C/W Standard inner panel mounting studs

No.	Revisions	Date	By/Par



PACKING		
ITEM	QTY	DESCRIPTION
Cardboard sleeve	2	Top and Bottom
Cardboard strip	2	Between back of enclosure and inner panel
Plastic bag	1	To protect cover surface and inside gasket
Cardboard corner	4	To reinforced for the plastic strap tightening
Plastic strap - Black	2	To Squeeze 2 cardboard sleeve together
Packaging label	3	White label with PN
Plastic strap- Green	2	To secure the enclosure to the wood pallet
Wood Pallet	1	2" deeper and 3" larger than enclosure size

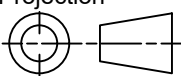
1	885 ESMF1	0	885 ESMF1 Mounting Feet Kit
1	1412BT081603DTIP2	0	1412BT 20.125" x 28" Right Inner Panel
1	1412BT081603DTBAR1-P	0	Rounded Edge Aluminum Bar 1/2" x 6"
1	1412BT081603DTBAR2-P	0	Rounded Edge Aluminum Bar 1/2" x 6"
1	1412BT081603DTBAR3-P	0	Rounded Edge Aluminum Bar 1/2" x 6"
1	1412BT081603DTIP1	0	1412BT 20.125" x 65" Inner Panel
12	STK-A-67400	0	Buss Bar Insulator Kit
1	STK-K-01800	5	5412 ES Accessory Kit
8	STK-Q-04050-07	7	M6 x 7mm Hexagon Socket Head Machine Screw with Nyseal
20	STK-Q-07310	2	Flange Lock Nut M8
8	STK-Q-07610	8	M8 Plastic Spacer 22.2mm
1	1412BT081603DTB	0	1412BT 27" x 96" x 10" Body
1	1412BT081603DTC	0	1412BT 27" x 96" Cover
Qty	Part Number	Rev	Description
Parts List			



Tél: (450) 979-4373
Fax: (450) 979-4626
www.exmweb.com

Flatness
Aplatissement
Max 3.0mm

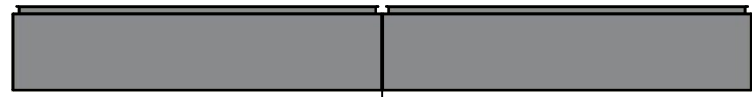
Projection



Customer Client	Date
Drawn By Dessiné Par BoxCad: BoxCad	Date 10/5/2022
Material Matière 14 Ga Cold Rolled A1008 CS Type B (1.7mm)	
Color Couleur Asa-61 Grey	Finish Fini Smooth
Description 1412BT 1600A - 3Wires x 96" Assembly	Detail Rev.
Part Number Numéro Pièce 1412BT081603DT	Rev. 3 0

This drawing is confidential and must not be reproduced or used without the consent of EXM

Ce dessin est confidentiel et ne doit pas être reproduit ou utilisé sans le consentement de EXM



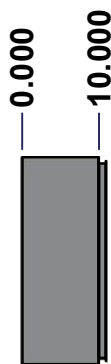
TOP



BACK



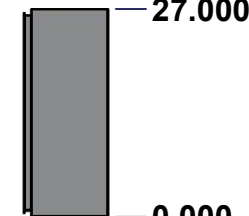
BOTTOM



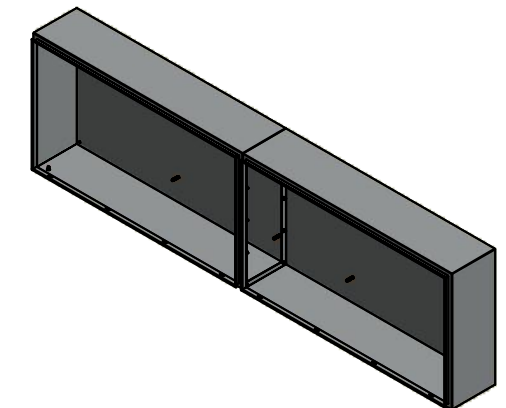
LEFT



FRONT




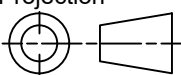
RIGHT



Isometric View



No.	Revisions	Date	By/Par

 Tél: (450) 979-4373 Fax: (450) 979-4626 www.exmweb.com		Flatness Aplatissement Max 3.0mm Projection 
Customer Client	Date	
Drawn By Dessiné Par	BoxCad: BoxCad	Date 10/5/2022
Material Matière	14 Ga Cold Rolled A1008 CS Type B (1.7mm)	
Color Couleur	Asa-61 Grey	Finish Fini Smooth
Description	Detail Rev.	
1412BT 27" x 96" x 10" Body		
Part Number Numéro Pièce	Rev.	4
1412BT081603DTB	0	16

SEE BILL OF MATERIAL ON LAST PAGE

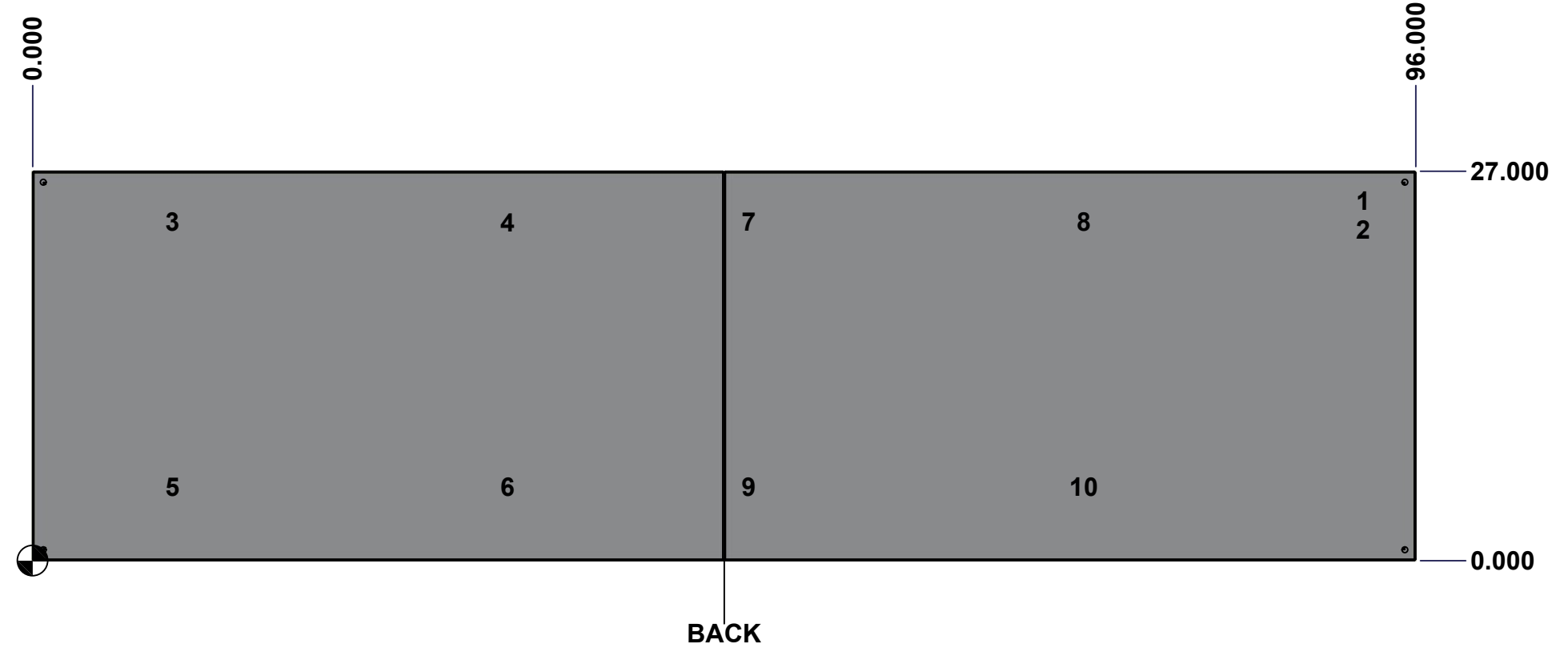
This drawing is confidential and must not be reproduced or used without the consent of Eurobox

Ce dessin est confidentiel et ne doit pas être reproduit ou utilisé sans le consentement de Eurobox

STANDARD FEATURES ARE NOT LISTED IN THIS HOLE TABLE

HOLE TABLE - BACK VIEW (CUSTOM FEATURE ONLY)

CUT-OUT	XDIM	YDIM	DESCRIPTION
1	92.000	25.000	GND STUD M8 x 35mm (Inside)
2	92.000	23.000	GND STUD M8 x 35mm (Inside)
3	9.375	23.500	IP STUD M8 x 35mm (Inside)
4	32.625	23.500	IP STUD M8 x 35mm (Inside)
5	9.375	5.125	IP STUD M8 x 35mm (Inside)
6	32.625	5.125	IP STUD M8 x 35mm (Inside)
7	49.375	23.500	IP STUD M8 x 35mm (Inside)
8	72.625	23.500	IP STUD M8 x 35mm (Inside)
9	49.375	5.125	IP STUD M8 x 35mm (Inside)
10	72.625	5.125	IP STUD M8 x 35mm (Inside)

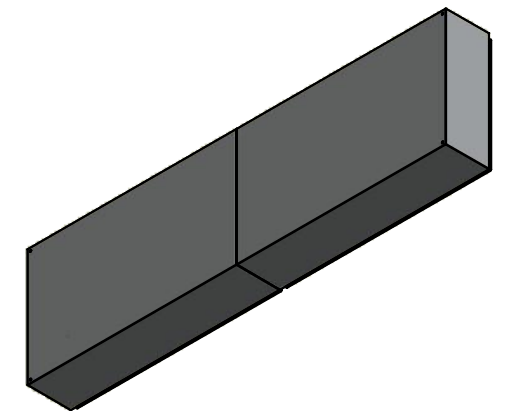


	Description	Status	
	1412BT 27" x 96" x 10" Body	(NULL)	
	Part Number Numéro Pièce	Rev.	5
	1412BT081603DTB	0	16

This drawing is confidential and must not be reproduced or used without the consent of EXM

Ce dessin est confidentiel et ne doit pas être reproduit ou utilisé sans le consentement de EXM

No.	Revisions	Date	By/Par



Isometric View



Tél: (450) 979-4373
 Fax: (450) 979-4626
www.exmweb.com

Flatness
Aplatissement
Max 3.0mm
Projection

Customer Client	Date
Drawn By Dessiné Par BoxCad: BoxCad	Date 10/5/2022
Material Matière	14 Ga Cold Rolled A1008 CS Type B (1.7mm)

Color Couleur	Asa-61 Grey	Finish Fini	Smooth
------------------	-------------	----------------	--------

Description	Detail Rev.
1412BT 27" x 96" x 10" Body	

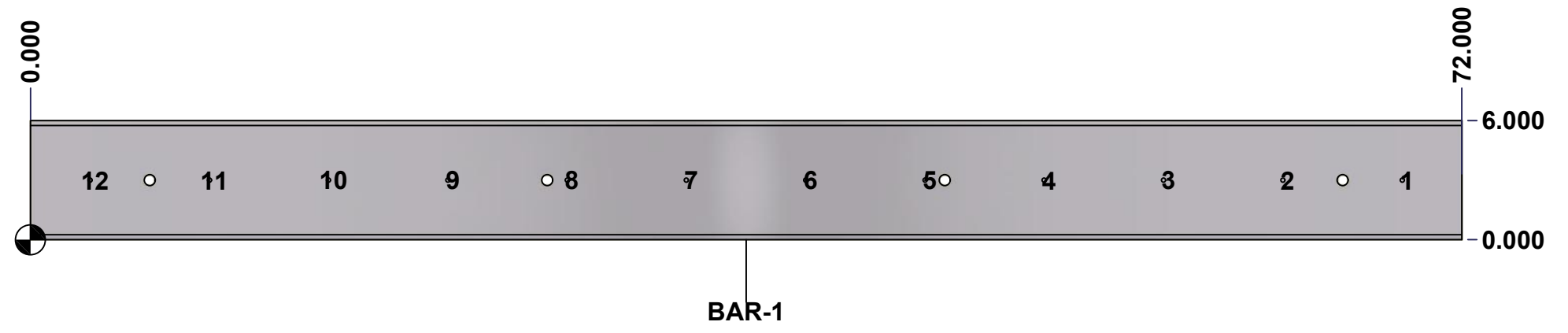
Part Number Numéro Pièce	Rev.	6
1412BT081603DTB	0	16

Qty	Part Number	Rev	Description
1	STK-P-02400S	0	Powder Paint (Asa-61 Grey / Smooth)
1	1412BT081603DTB-P	0	1412BT 27" x 96" x 10" Body Part
1	1412BT081603DTE-P	0	1412BT 27" x 96" x 10" Right Body Part
1	STK-G-00701	0	1" x 1/4" Self-Adhesive Neoprene Gasket
10	STK-Q-00260	1	M6 x 13mm Carriage Bolt
10	STK-Q-07220	1	M6 Nylon Insert Lock Nut
10	STK-Q-16005	1	Stud M8 x 35 (No Paint Cap Required)
2	STK-Q-16080	0	Ground Stud M6 x 16mm
1	STK-S-00100	0	3.5" x 2" Silver Milar Flexcon Sticker
Parts List			

This drawing is confidential and must not be reproduced or used without the consent of Eurobox

Ce dessin est confidentiel et ne doit pas être reproduit ou utilisé sans le consentement de Eurobox

STANDARD FEATURES ARE NOT LISTED IN THIS HOLE TABLE			
HOLE TABLE - FRONT VIEW (CUSTOM FEATURE ONLY)			
CUT-OUT	XDIM	YDIM	DESCRIPTION
1	69.000	3.000	RND Ø0.201 THREAD 1/4-20 UNC
2	63.000	3.000	RND Ø0.201 THREAD 1/4-20 UNC
3	57.000	3.000	RND Ø0.201 THREAD 1/4-20 UNC
4	51.000	3.000	RND Ø0.201 THREAD 1/4-20 UNC
5	45.000	3.000	RND Ø0.201 THREAD 1/4-20 UNC
6	39.000	3.000	RND Ø0.201 THREAD 1/4-20 UNC
7	33.000	3.000	RND Ø0.201 THREAD 1/4-20 UNC
8	27.000	3.000	RND Ø0.201 THREAD 1/4-20 UNC
9	21.000	3.000	RND Ø0.201 THREAD 1/4-20 UNC
10	15.000	3.000	RND Ø0.201 THREAD 1/4-20 UNC
11	9.000	3.000	RND Ø0.201 THREAD 1/4-20 UNC
12	3.000	3.000	RND Ø0.201 THREAD 1/4-20 UNC

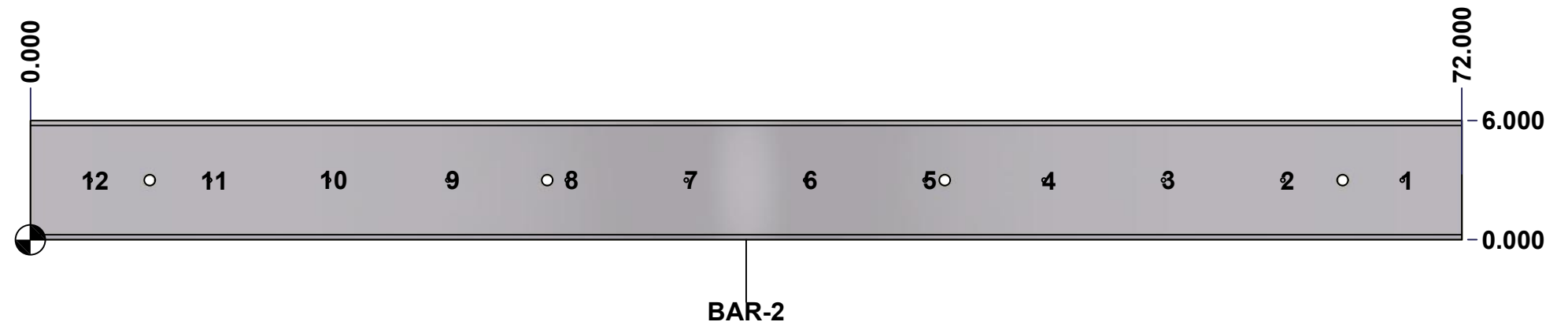


	Description	Status	
	Rounded Edge Aluminum Bar 1/2" x 6"	(NULL)	
	Part Number Numéro Pièce	Rev.	7
	1412BT081603DTBAR1-P	0	16

This drawing is confidential and must not be reproduced or used without the consent of Eurobox

Ce dessin est confidentiel et ne doit pas être reproduit ou utilisé sans le consentement de Eurobox

STANDARD FEATURES ARE NOT LISTED IN THIS HOLE TABLE			
HOLE TABLE - FRONT VIEW (CUSTOM FEATURE ONLY)			
CUT-OUT	XDIM	YDIM	DESCRIPTION
1	69.000	3.000	RND Ø0.201 THREAD 1/4-20 UNC
2	63.000	3.000	RND Ø0.201 THREAD 1/4-20 UNC
3	57.000	3.000	RND Ø0.201 THREAD 1/4-20 UNC
4	51.000	3.000	RND Ø0.201 THREAD 1/4-20 UNC
5	45.000	3.000	RND Ø0.201 THREAD 1/4-20 UNC
6	39.000	3.000	RND Ø0.201 THREAD 1/4-20 UNC
7	33.000	3.000	RND Ø0.201 THREAD 1/4-20 UNC
8	27.000	3.000	RND Ø0.201 THREAD 1/4-20 UNC
9	21.000	3.000	RND Ø0.201 THREAD 1/4-20 UNC
10	15.000	3.000	RND Ø0.201 THREAD 1/4-20 UNC
11	9.000	3.000	RND Ø0.201 THREAD 1/4-20 UNC
12	3.000	3.000	RND Ø0.201 THREAD 1/4-20 UNC

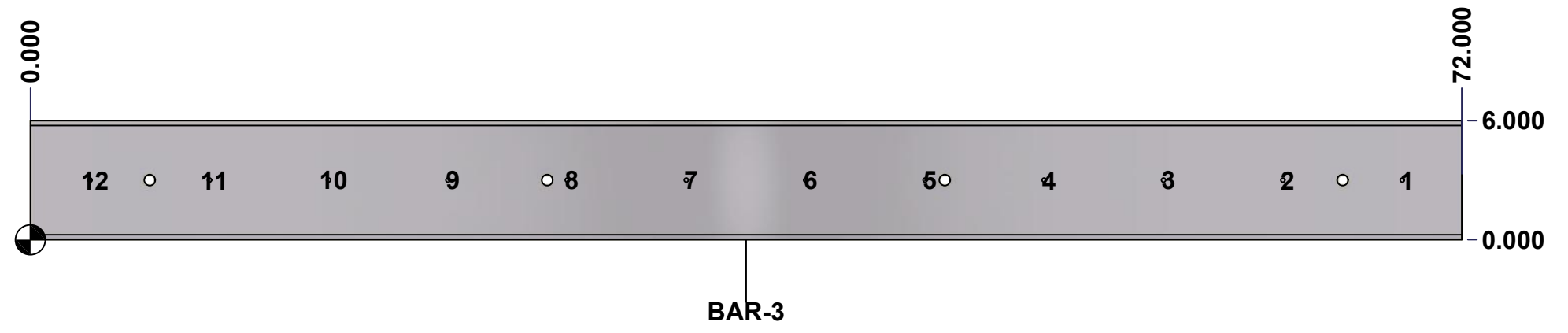


	Description	Status
	Rounded Edge Aluminum Bar 1/2" x 6"	(NULL)
	Part Number Numéro Pièce	Rev.
	1412BT081603DTBAR2-P	0 / 8
		16

This drawing is confidential and must not be reproduced or used without the consent of Eurobox

Ce dessin est confidentiel et ne doit pas être reproduit ou utilisé sans le consentement de Eurobox

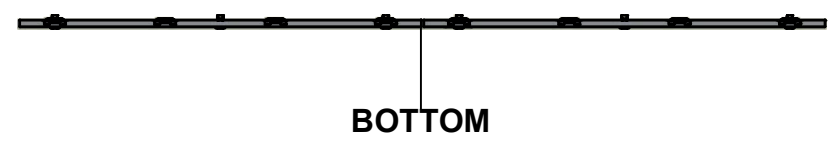
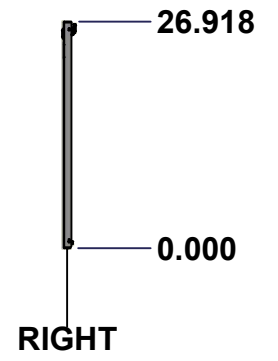
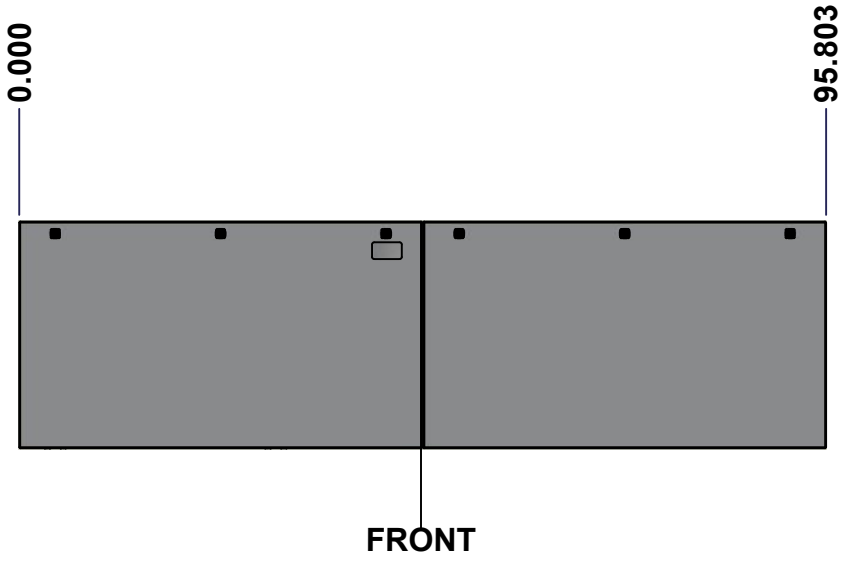
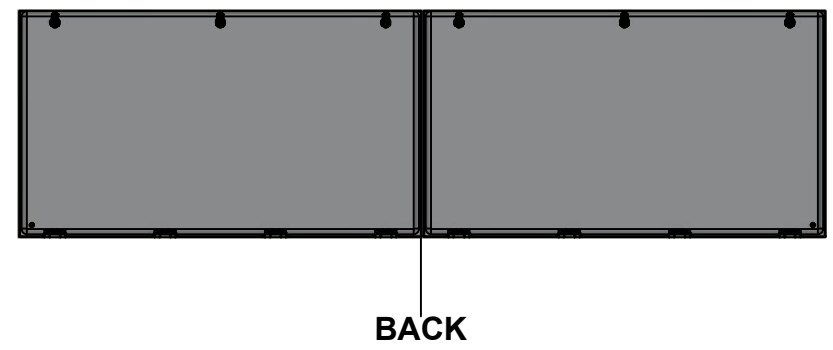
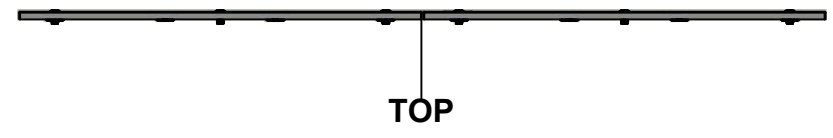
STANDARD FEATURES ARE NOT LISTED IN THIS HOLE TABLE			
HOLE TABLE - FRONT VIEW (CUSTOM FEATURE ONLY)			
CUT-OUT	XDIM	YDIM	DESCRIPTION
1	69.000	3.000	RND Ø0.201 THREAD 1/4-20 UNC
2	63.000	3.000	RND Ø0.201 THREAD 1/4-20 UNC
3	57.000	3.000	RND Ø0.201 THREAD 1/4-20 UNC
4	51.000	3.000	RND Ø0.201 THREAD 1/4-20 UNC
5	45.000	3.000	RND Ø0.201 THREAD 1/4-20 UNC
6	39.000	3.000	RND Ø0.201 THREAD 1/4-20 UNC
7	33.000	3.000	RND Ø0.201 THREAD 1/4-20 UNC
8	27.000	3.000	RND Ø0.201 THREAD 1/4-20 UNC
9	21.000	3.000	RND Ø0.201 THREAD 1/4-20 UNC
10	15.000	3.000	RND Ø0.201 THREAD 1/4-20 UNC
11	9.000	3.000	RND Ø0.201 THREAD 1/4-20 UNC
12	3.000	3.000	RND Ø0.201 THREAD 1/4-20 UNC



	Description	Status
	Rounded Edge Aluminum Bar 1/2" x 6"	(NULL)
	Part Number Numéro Pièce	Rev.
	1412BT081603DTBAR3-P	0 / 9
		16

This drawing is confidential and must not be reproduced or used without the consent of EXM

Ce dessin est confidentiel et ne doit pas être reproduit ou utilisé sans le consentement de EXM



0.000
0.934

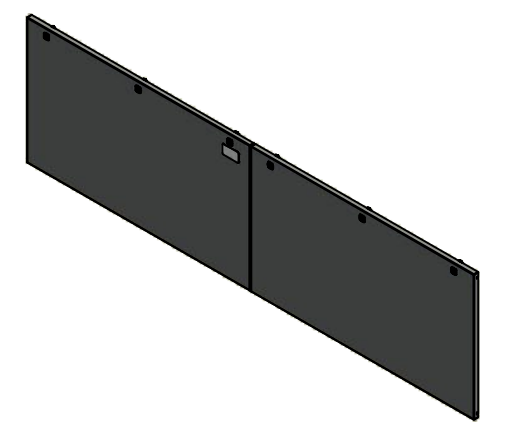
0.000


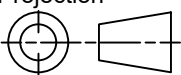
95.803

26.918

0.000

No.	Revisions	Date	By/Par



 Tél: (450) 979-4373 Fax: (450) 979-4626 www.exmweb.com	Flatness Aplatissement	Max 3.0mm
	Projection	
Customer Client	Date	
Drawn By Dessiné Par	BoxCad: BoxCad	Date 10/5/2022
Material Matière	14 Ga Cold Rolled A1008 CS Type B (1.7mm)	
Color Couleur	Asa-61 Grey	Finish Fini Smooth
Description	Detail Rev.	
1412BT 27" x 96" Cover		
Part Number Numéro Pièce	Rev. 0	10 / 16

SEE BILL OF MATERIAL ON LAST PAGE

1412BT081603DTC

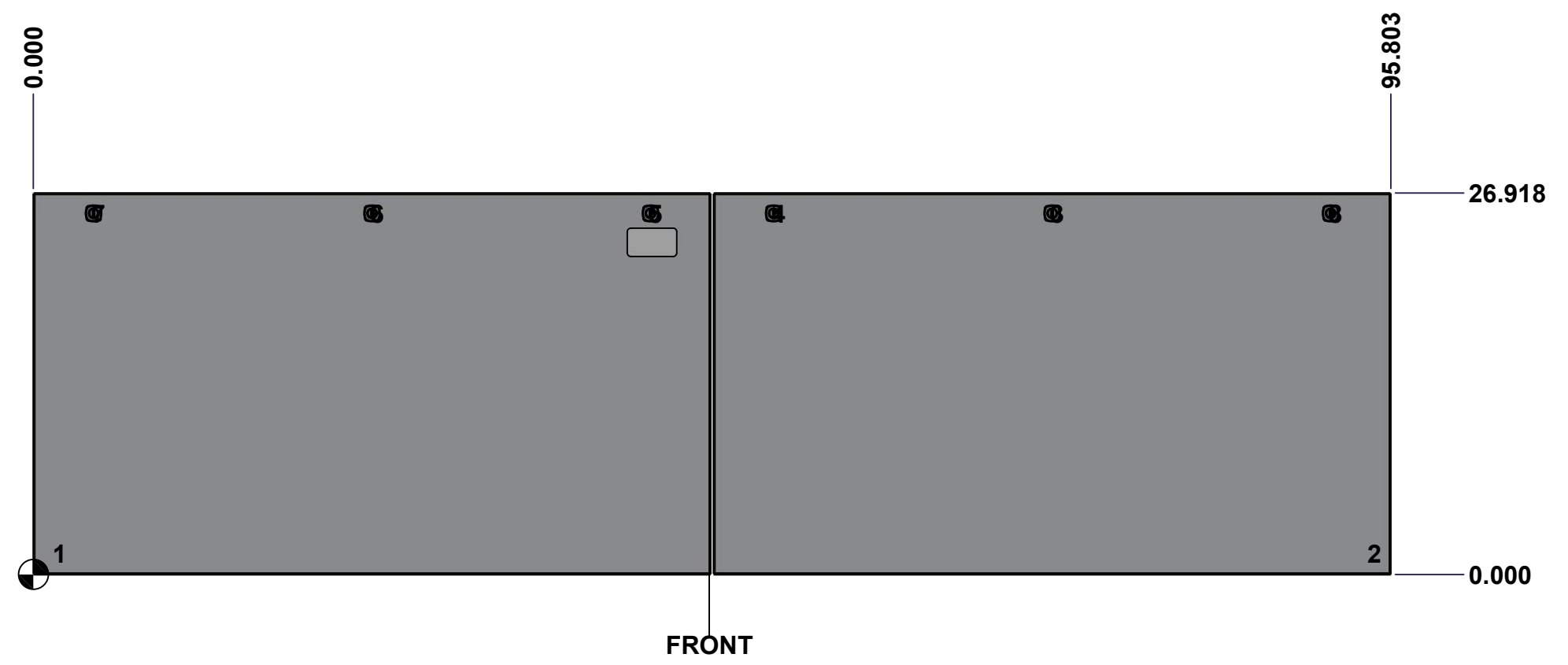
This drawing is confidential and must not be reproduced or used without the consent of Eurobox

Ce dessin est confidentiel et ne doit pas être reproduit ou utilisé sans le consentement de Eurobox

STANDARD FEATURES ARE NOT LISTED IN THIS HOLE TABLE

HOLE TABLE - FRONT VIEW (CUSTOM FEATURE ONLY)

CUT-OUT	XDIM	YDIM	DESCRIPTION
1	1.500	1.486	GND STUD M6 x 16mm (Inside)
2	94.303	1.486	GND STUD M6 x 16mm (Inside)
3	71.902	25.494	LOCK 880 SCQ4-SL @ 90.0°
4	52.250	25.494	LOCK 880 SCQ4-SL @ 90.0°
5	43.553	25.494	LOCK 880 SCQ4-SL @ 90.0°
6	23.902	25.494	LOCK 880 SCQ4-SL @ 90.0°
7	4.250	25.494	LOCK 880 SCQ4-SL @ 90.0°
8	91.553	25.494	LOCK 880 SCQ4-SL @ 90.0°

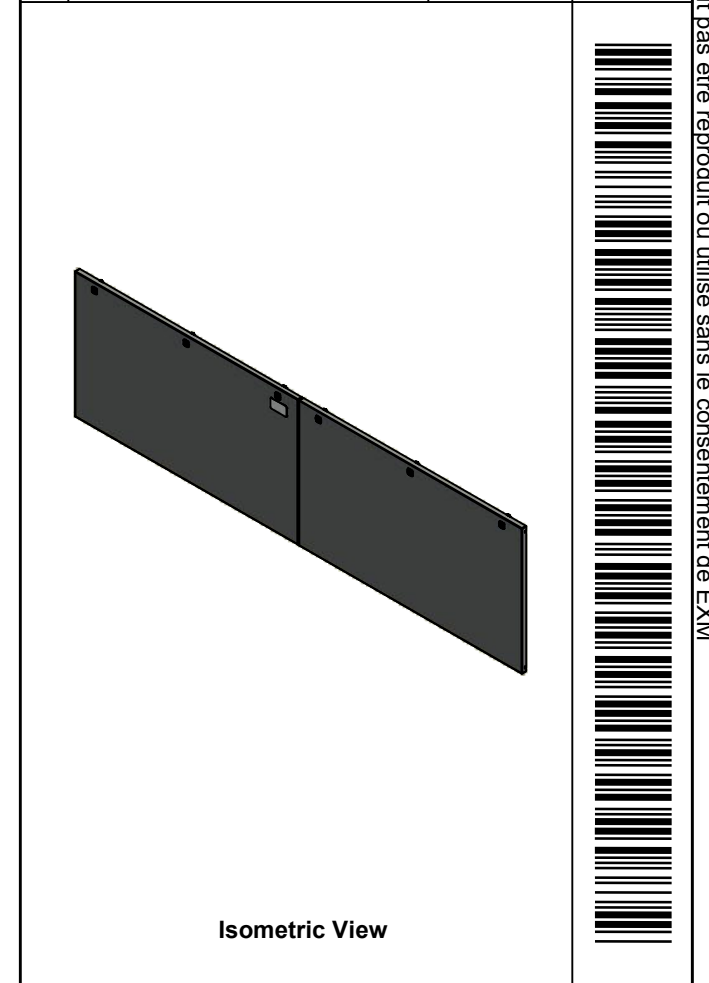


	Description 1412BT 27" x 96" Cover	Status (NULL)
	Part Number Numéro Pièce 1412BT081603DTC	Rev. 11 0 16

This drawing is confidential and must not be reproduced or used without the consent of EXM

Ce dessin est confidentiel et ne doit pas être reproduit ou utilisé sans le consentement de EXM

No.	Revisions	Date	By/Par

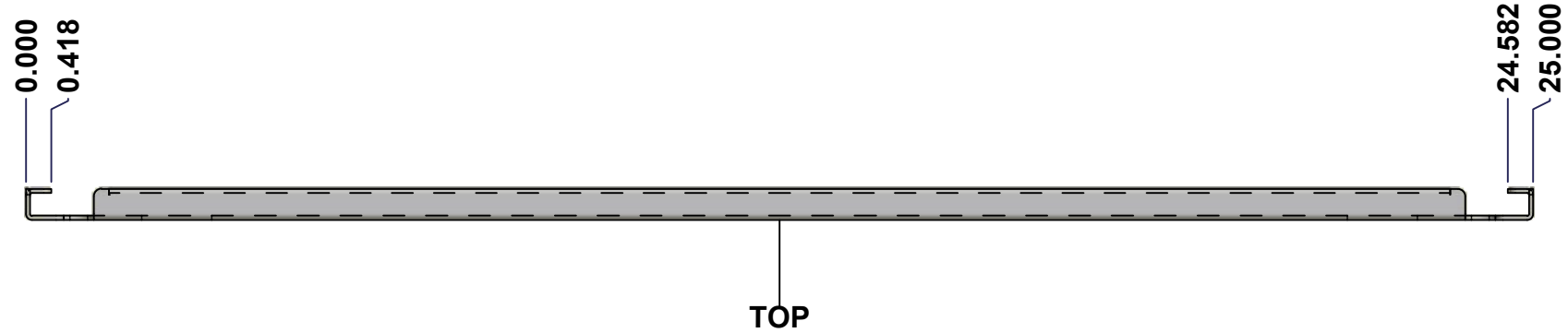


Tél: (450) 979-4373 Fax: (450) 979-4626 www.exmweb.com		Flatness Aplatissement	
		Max 3.0mm	
Customer Client		Date	
Drawn By Dessiné Par		Date	
Material Matière		Projection	
14 Ga Cold Rolled A1008 CS Type B (1.7mm)			
Color Couleur		Finish Fini	
Asa-61 Grey		Smooth	
Description			Detail Rev.
1412BT 27" x 96" Cover			
Part Number Numéro Pièce		Rev.	
1412BT081603DTC		0	12 / 16

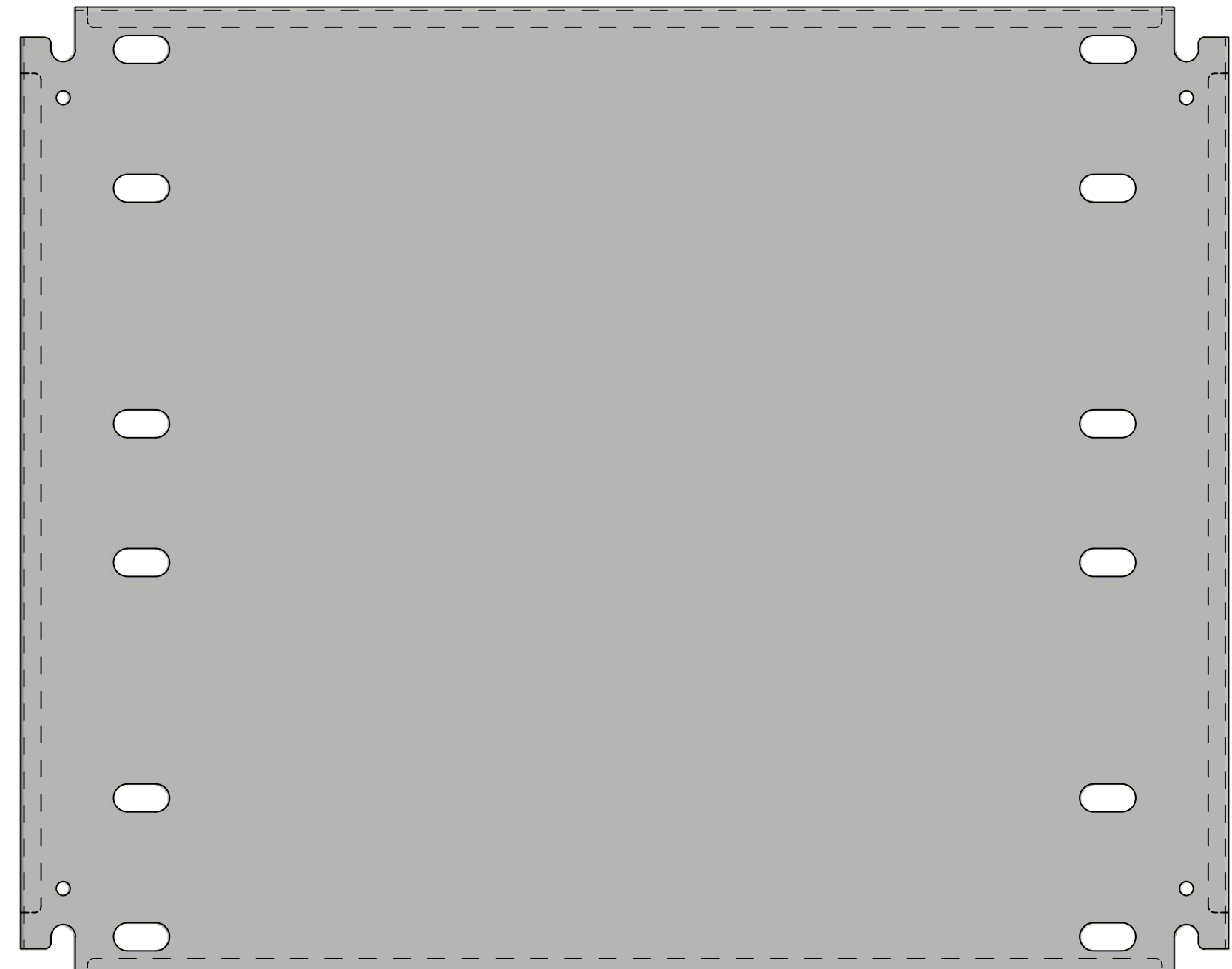
Qty	Part Name	Rev	Description
2	1412BT081603DTG	0	1412BT 27" x 96" Cover Gasket
1	STK-P-02400S	0	Powder Paint (Asa-61 Grey / Smooth)
8	STK-K-09800	10	5412 ES Hinge with 2 Captive Hinge Pins
2	STK-Q-16080	0	Ground Stud M6 x 16mm
1	STK-S-00100	0	3.5" x 2" Silver Milar Flexcon Sticker
1	1412BT081603DTC-P	0	1412BT 27" x 96" Cover Part
1	1412BT081603DTF-P	0	1412BT 27" x 96" Right Cover Part
6	880 SCQ4-SL	6	5412 ES 1/4 Turn Lock
Parts List			

This drawing is confidential and must not be reproduced or used without the consent of EXM

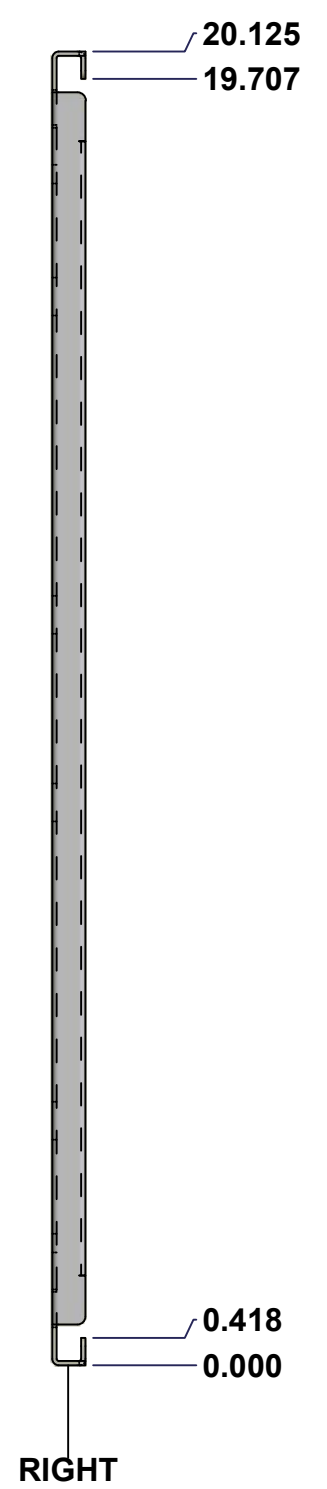
Ce dessin est confidentiel et ne doit pas être reproduit ou utilisé sans le consentement de EXM



TOP

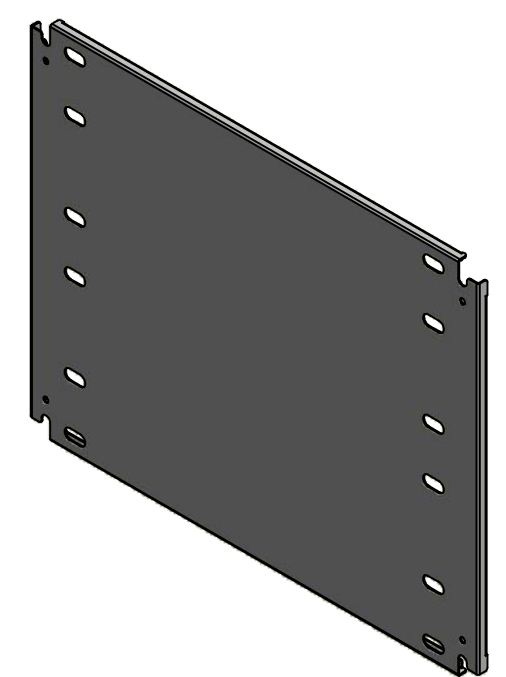


FRONT



RIGHT

No.	Revisions	Date	By/Par



Isometric View



Tél: (450) 979-4373
Fax: (450) 979-4626
www.exmweb.com

Flatness
Aplatissement
Max 3.0mm
Projection

Customer Client	Date
Drawn By / Dessiné Par: BoxCad: BoxCad	Date: 10/5/2022
Material / Matière: 14 Ga Cold Rolled A1008 CS Type B (1.7mm)	

Color / Couleur: White RAL9003	Finish / Fini: Smooth
--------------------------------	-----------------------

Description: 1412BT 20.125" x 65" Inner Panel	Detail Rev.
---	-------------

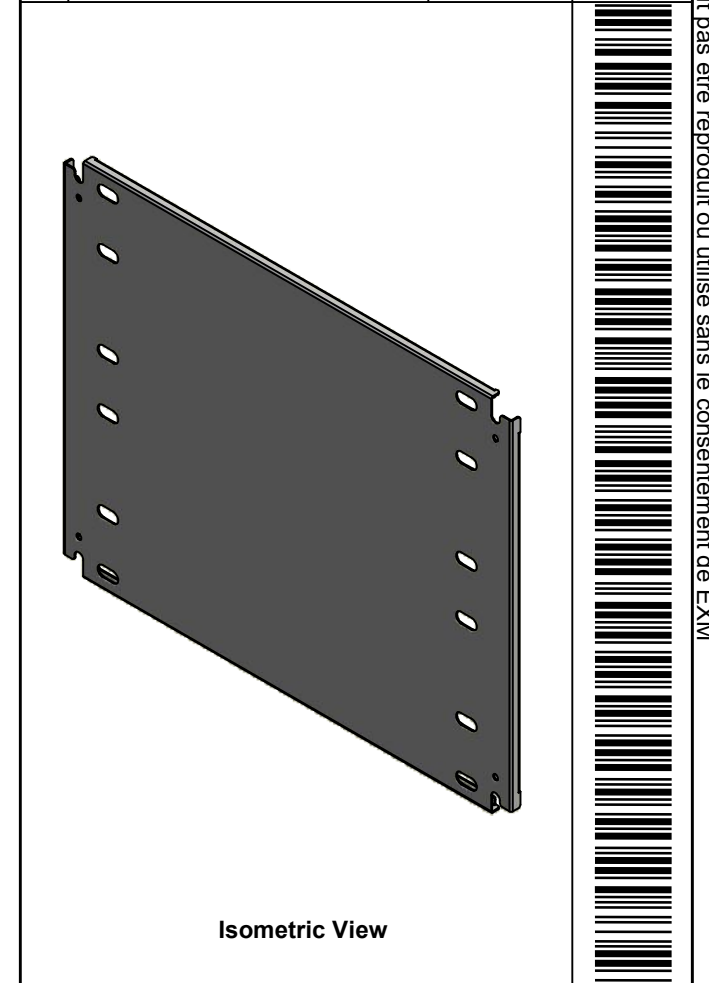
Part Number / Numéro Pièce: 1412BT081603DTIP1	Rev. 0	13 / 16
--	---------------	---------

SEE BILL OF MATERIAL ON LAST PAGE

This drawing is confidential and must not be reproduced or used without the consent of EXM


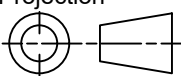
Ce dessin est confidentiel et ne doit pas être reproduit ou utilisé sans le consentement de EXM

No.	Revisions	Date	By/Par



Isometric View

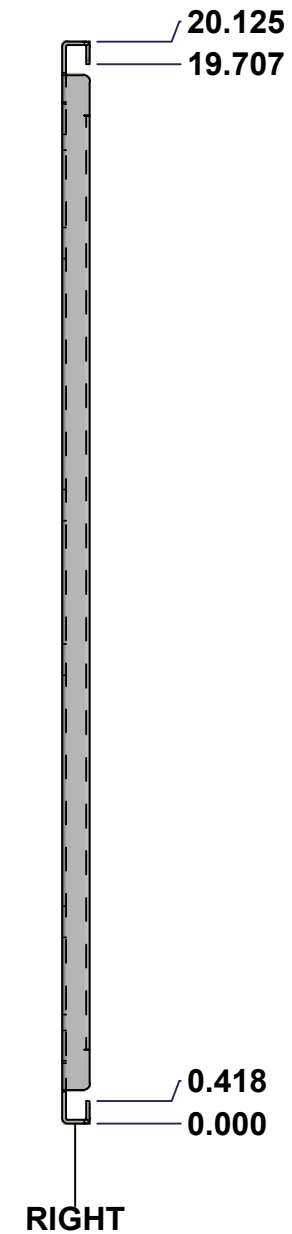
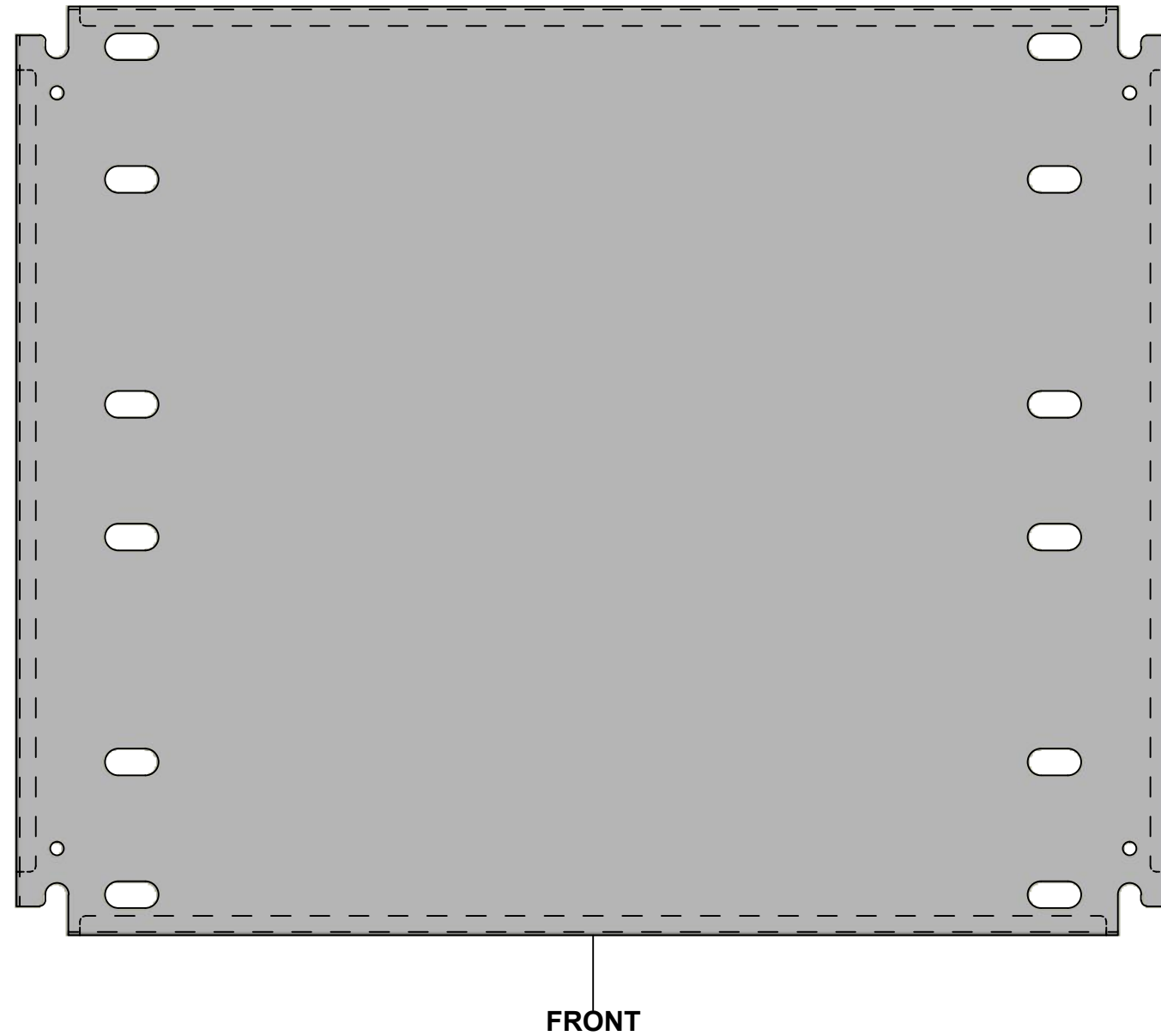
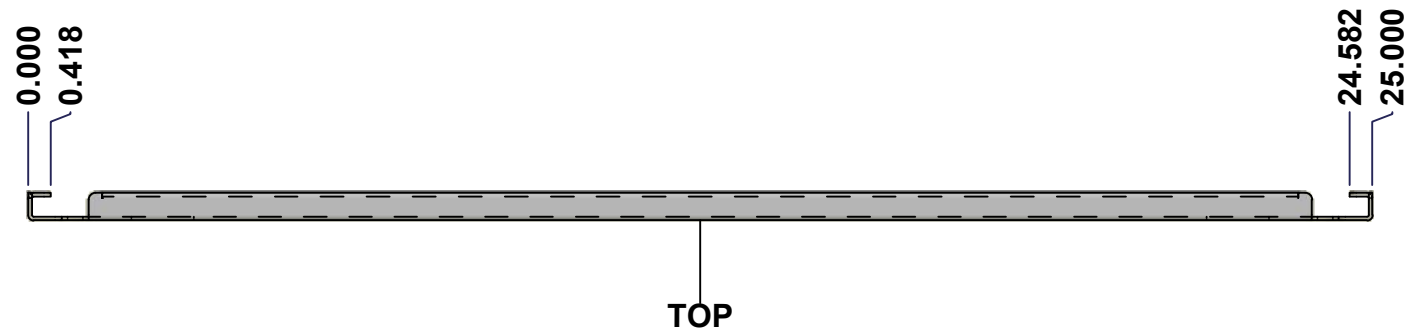


 Tél: (450) 979-4373 Fax: (450) 979-4626 www.exmweb.com		Flatness Aplatissement Max 3.0mm
Customer Client		Projection 
Drawn By / Dessiné Par: BoxCad: BoxCad		Date: 10/5/2022
Material / Matière: 14 Ga Cold Rolled A1008 CS Type B (1.7mm)		
Color / Couleur: White RAL9003	Finish / Fini: Smooth	
Description: 1412BT 20.125" x 65" Inner Panel		Detail Rev.
Part Number / Numéro Pièce: 1412BT081603DTIP1		Rev. 14 0

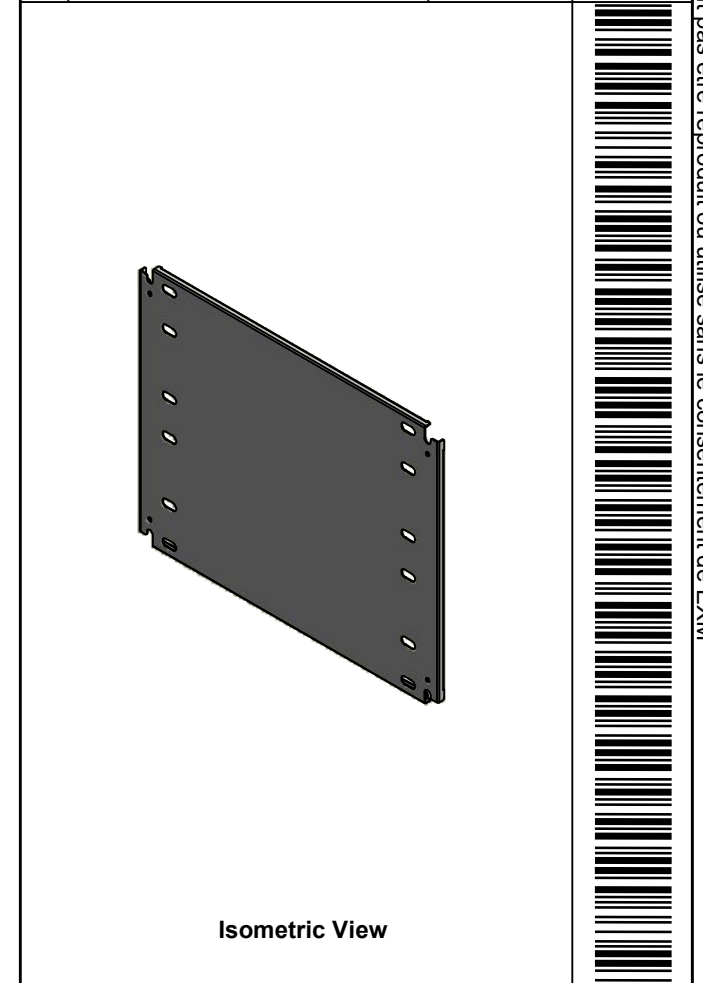
Qty	Part Number	Rev	Description
1	STK-P-02401S	0	Powder Paint (White / Smooth)
1	1412BT081603DTIP1-P	0	1412BT 20.125" x 96" Inner Panel Part
Parts List			

This drawing is confidential and must not be reproduced or used without the consent of EXM

Ce dessin est confidentiel et ne doit pas être reproduit ou utilisé sans le consentement de EXM



No.	Revisions	Date	By/Par



<p>Tél: (450) 979-4373 Fax: (450) 979-4626 www.exmweb.com</p>	Flatness Aplatissement	Max 3.0mm
	Projection	
Customer Client	Date	
Drawn By Dessiné Par	BoxCad: BoxCad	Date 10/5/2022
Material Matière	14 Ga Cold Rolled A1008 CS Type B (1.7mm)	
Color Couleur	White RAL9003	Finish Fini Smooth
Description	1412BT 20.125" x 28" Right Inner Panel	
Part Number Numéro Pièce	Rev. 0	15 16

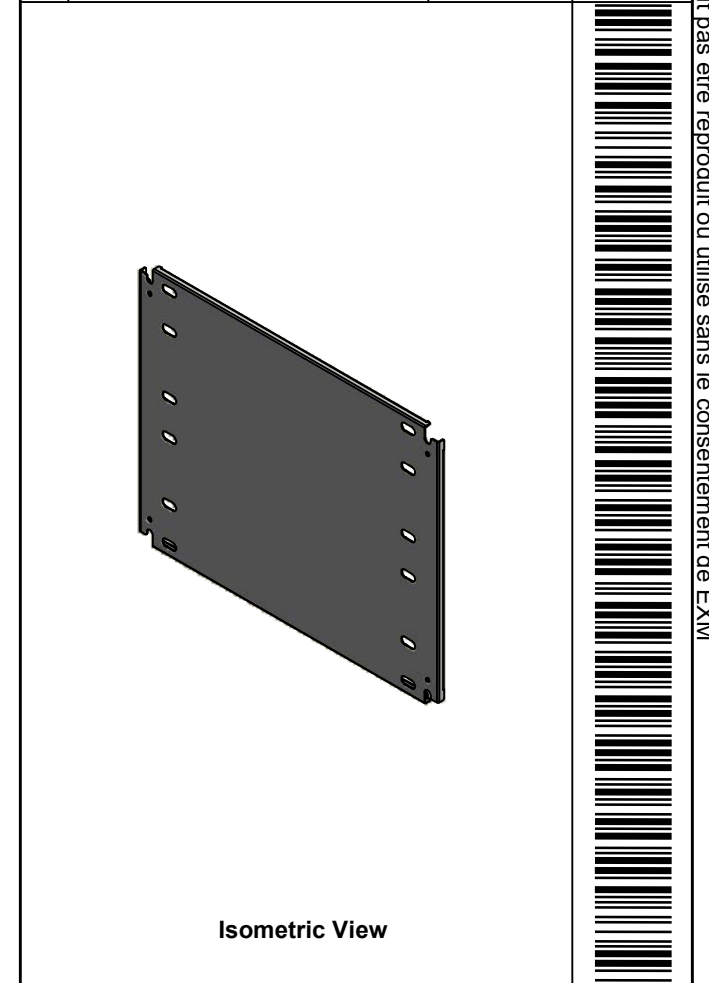
SEE BILL OF MATERIAL ON LAST PAGE

1412BT081603DTIP2


This drawing is confidential and must not be reproduced or used without the consent of EXM

Ce dessin est confidentiel et ne doit pas être reproduit ou utilisé sans le consentement de EXM

No.	Revisions	Date	By/Par



Isometric View

 Tél: (450) 979-4373 Fax: (450) 979-4626 www.exmweb.com		Flatness Aplatissement Max 3.0mm
Customer Client		Date
Drawn By / Dessiné Par: BoxCad: BoxCad		Date: 10/5/2022
Material / Matière: 14 Ga Cold Rolled A1008 CS Type B (1.7mm)		
Color / Couleur: White RAL9003	Finish / Fini: Smooth	
Description: 1412BT 20.125" x 28" Right Inner Panel		Detail Rev.
Part Number / Numéro Pièce: 1412BT081603DTIP2		Rev. 16 0

Qty	Part Number	Rev	Description
1	STK-P-02401S	0	Powder Paint (White / Smooth)
1	1412BT081603DTIP2-P	0	1412BT 20.125" x 96" Right Inner Panel Part
Parts List			