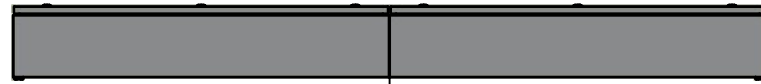
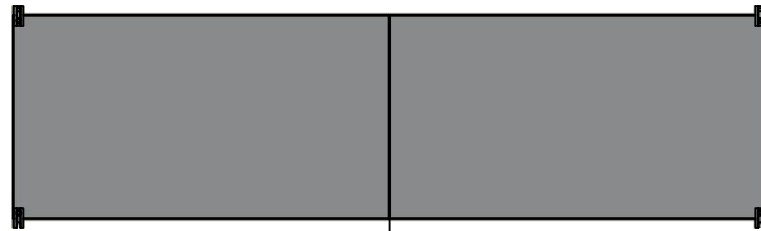


This drawing is confidential and must not be reproduced or used without the consent of EXM

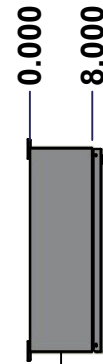
Ce dessin est confidentiel et ne doit pas être reproduit ou utilisé sans le consentement de EXM



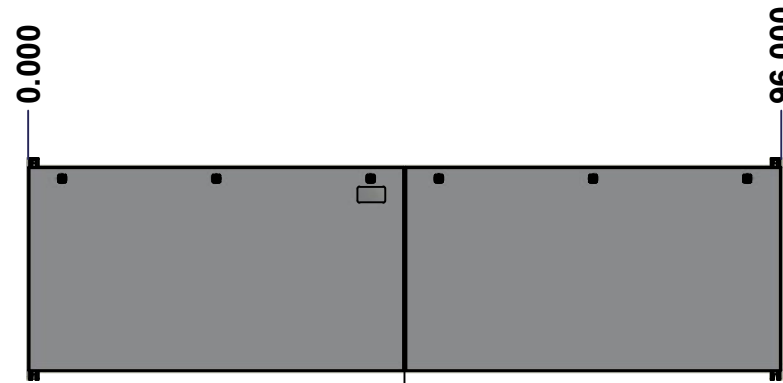
TOP



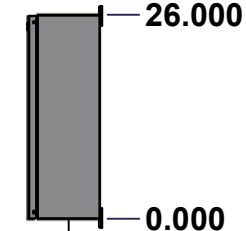
LEFT



LEFT



FRONT

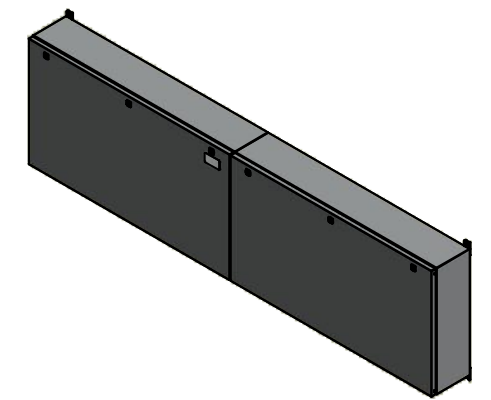


RIGHT



BOTTOM

No.	Revisions	Date	By/Par



Isometric View

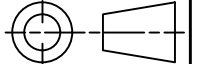


Tél: (450) 979-4373
 Fax: (450) 979-4626
www.exmweb.com

Flatness
Aplatissement

Max 3.0mm

Projection



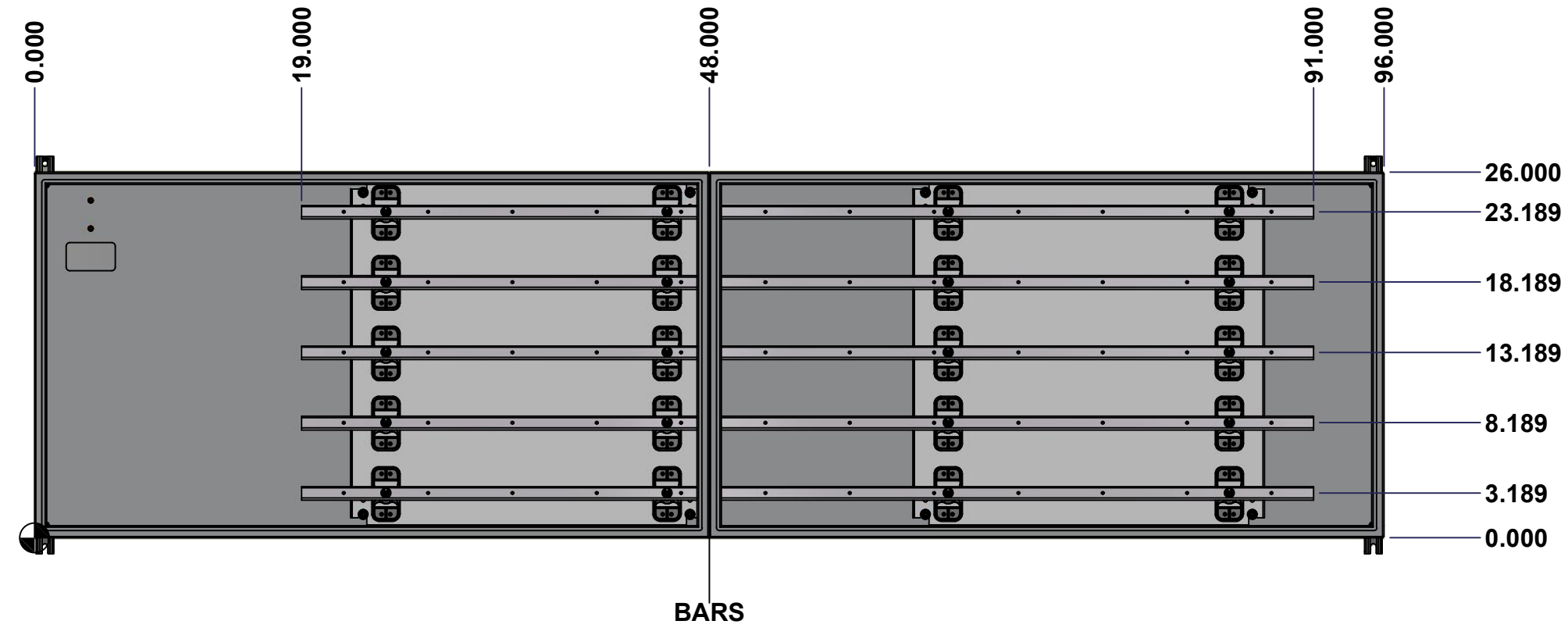
Customer Client	Date
Drawn By Dessiné Par BoxCad: BoxCad	Date 30-Sep-22
Material Matière 14 Ga Cold Rolled A1008 CS Type B (1.7mm)	
Color Couleur Asa-61 Grey	Finish Fini Smooth
Description 1412BT 225A - 5Wires x 96" Assembly	Detail Rev.
Part Number Numéro Pièce 1412BT08205DT	Rev. 0

SEE BILL OF MATERIAL ON LAST PAGE

This drawing is confidential and must not be reproduced or used without the consent of Eurobox

Ce dessin est confidentiel et ne doit pas être reproduit ou utilisé sans le consentement de Eurobox

STANDARD FEATURES ARE NOT LISTED IN THIS HOLE TABLE



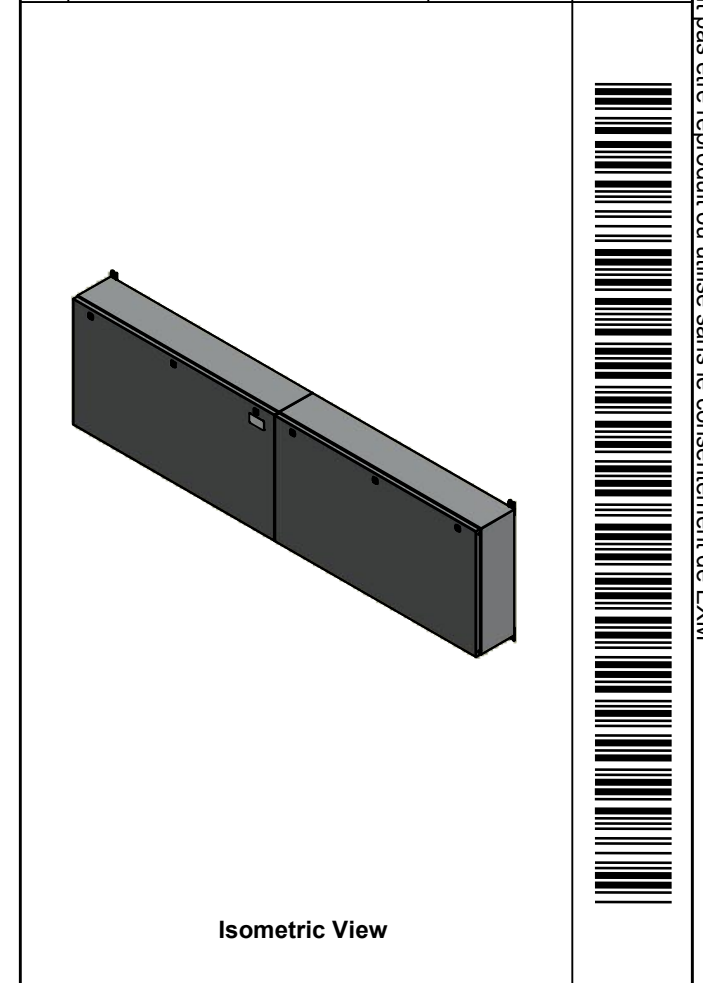
	Description	Status	
	1412BT 225A - 5Wires x 96" Assembly	(NULL)	
	Part Number Numéro Pièce	Rev.	2
	1412BT08205DT	0	18

This drawing is confidential and must not be reproduced or used without the consent of EXM

Ce dessin est confidentiel et ne doit pas être reproduit ou utilisé sans le consentement de EXM

NOTE	
ITEM	DESCRIPTION
1	NEMA 4/12 Enclosure
2	C/W Standard ground studs on box and cover
3	W/O Standard door stiffener
4	C/W Special inner panel (Sold separately)
5	C/W Standard inner panel mounting studs

No.	Revisions	Date	By/Par



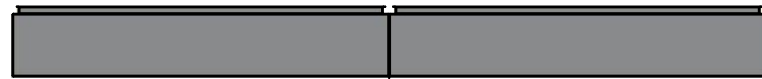
PACKING		
ITEM	QTY	DESCRIPTION
Cardboard sleeve	2	Top and Bottom
Cardboard strip	2	Between back of enclosure and inner panel
Plastic bag	1	To protect cover surface and inside gasket
Cardboard corner	4	To reinforced for the plastic strap tightening
Plastic strap - Black	2	To Squeeze 2 cardboard sleeve together
Packaging label	3	White label with PN
Plastic strap- Green	2	To secure the enclosure to the wood pallet
Wood Pallet	1	2" deeper and 3" larger than enclosure size

1	885 ESMF1	0	885 ESMF1 Mounting Feet Kit
1	1412BT08205DTIP2	0	1412BT 24.625" x 28" Right Inner Panel
1	1412BT08205DTBAR1-P	0	Rounded Edge Aluminum Bar 1/4" x 1"
1	1412BT08205DTBAR2-P	0	Rounded Edge Aluminum Bar 1/4" x 1"
1	1412BT08205DTBAR3-P	0	Rounded Edge Aluminum Bar 1/4" x 1"
1	1412BT08205DTBAR4-P	0	Rounded Edge Aluminum Bar 1/4" x 1"
1	1412BT08205DTBAR5-P	0	Rounded Edge Aluminum Bar 1/4" x 1"
1	1412BT08205DTIP1	0	1412BT 24.625" x 65" Inner Panel
20	STK-A-67400	0	Buss Bar Insulator Kit
1	STK-K-01800	5	5412 ES Accessory Kit
8	STK-Q-04050-07	7	M6 x 7mm Hexagon Socket Head Machine Screw with Nyseal
28	STK-Q-07310	2	Flange Lock Nut M8
8	STK-Q-07610	8	M8 Plastic Spacer 22.2mm
1	1412BT08205DTB	0	1412BT 26" x 96" x 8" Body
1	1412BT08205DTC	0	1412BT 26" x 96" Cover
Qty	Part Number	Rev	Description
Parts List			

	Tél: (450) 979-4373 Fax: (450) 979-4626 www.exmweb.com	Flatness Aplatissement Max 3.0mm
	Projection 	Customer Client
Drawn By Dessiné Par	BoxCad: BoxCad	Date 30-Sep-22
Material Matière	14 Ga Cold Rolled A1008 CS Type B (1.7mm)	
Color Couleur	Asa-61 Grey	Finish Fini Smooth
Description 1412BT 225A - 5Wires x 96" Assembly		Detail Rev.
Part Number Numéro Pièce 1412BT08205DT		Rev. 3 0

This drawing is confidential and must not be reproduced or used without the consent of EXM

Ce dessin est confidentiel et ne doit pas être reproduit ou utilisé sans le consentement de EXM



TOP



BACK



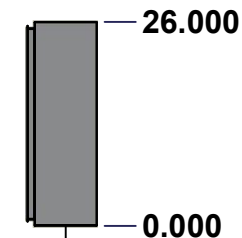
BOTTOM



LEFT

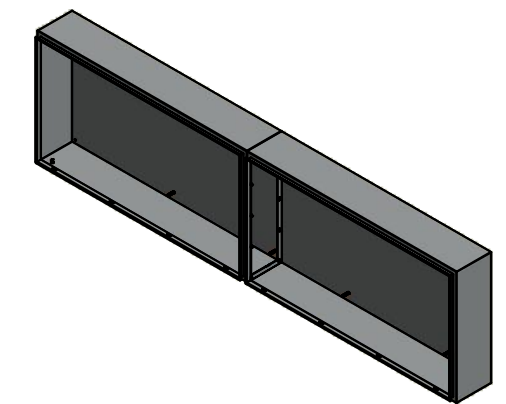


FRONT



RIGHT

No.	Revisions	Date	By/Par



Isometric View

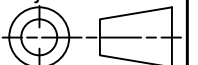


Tél: (450) 979-4373
 Fax: (450) 979-4626
www.exmweb.com

Flatness
Aplatissement

Max 3.0mm

Projection



Customer Client	Date
Drawn By Dessiné Par BoxCad: BoxCad	Date 30-Sep-22
Material Matière 14 Ga Cold Rolled A1008 CS Type B (1.7mm)	
Color Couleur Asa-61 Grey	Finish Fini Smooth
Description 1412BT 26" x 96" x 8" Body	Detail Rev.
Part Number Numéro Pièce 1412BT08205DTB	Rev. 0

SEE BILL OF MATERIAL ON LAST PAGE

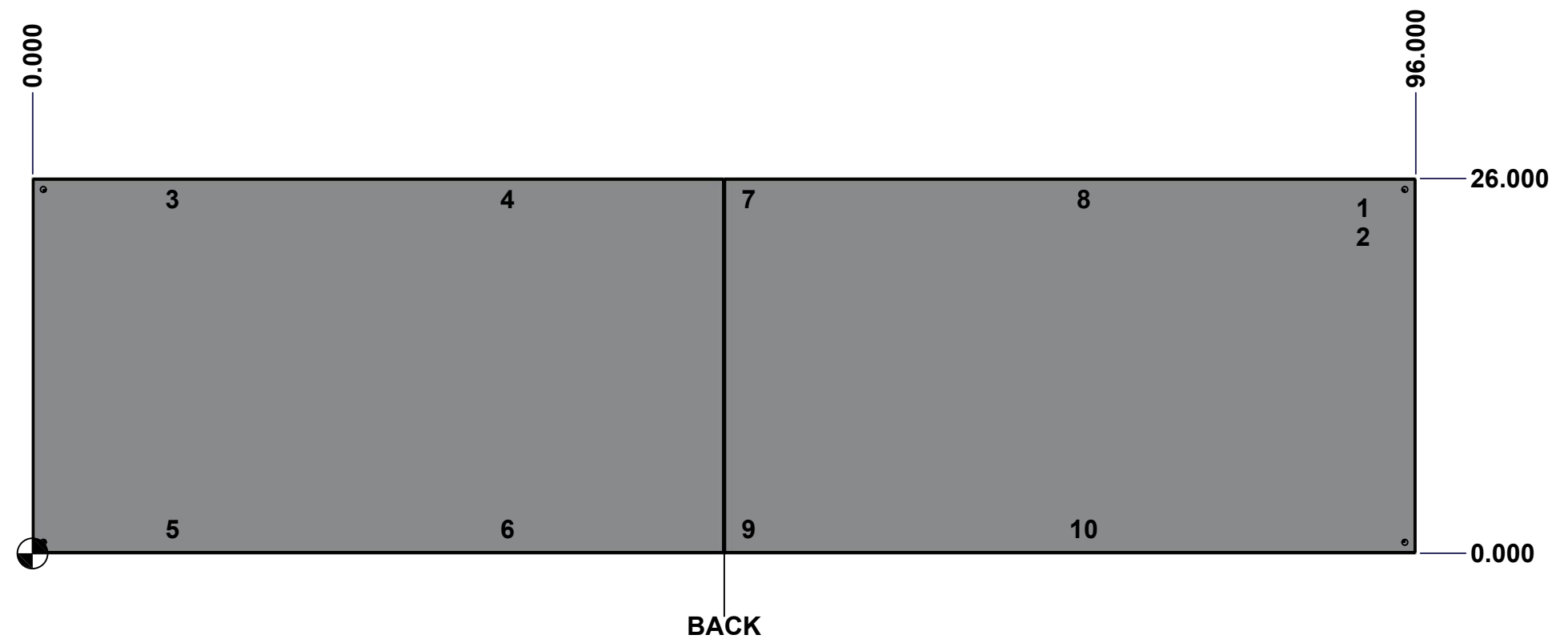
This drawing is confidential and must not be reproduced or used without the consent of Eurobox

Ce dessin est confidentiel et ne doit pas être reproduit ou utilisé sans le consentement de Eurobox

STANDARD FEATURES ARE NOT LISTED IN THIS HOLE TABLE

HOLE TABLE - BACK VIEW (CUSTOM FEATURE ONLY)

CUT-OUT	XDIM	YDIM	DESCRIPTION
1	92.000	24.000	GND STUD M8 x 35mm (Inside)
2	92.000	22.000	GND STUD M8 x 35mm (Inside)
3	9.375	24.563	IP STUD M8 x 35mm (Inside)
4	32.625	24.563	IP STUD M8 x 35mm (Inside)
5	9.375	1.688	IP STUD M8 x 35mm (Inside)
6	32.625	1.688	IP STUD M8 x 35mm (Inside)
7	49.375	24.563	IP STUD M8 x 35mm (Inside)
8	72.625	24.563	IP STUD M8 x 35mm (Inside)
9	49.375	1.688	IP STUD M8 x 35mm (Inside)
10	72.625	1.688	IP STUD M8 x 35mm (Inside)

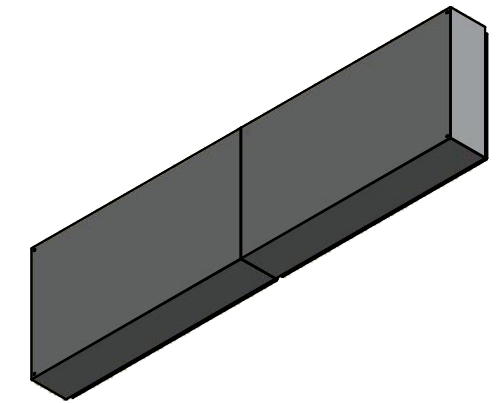


	Description 1412BT 26" x 96" x 8" Body	Status (NULL)
	Part Number Numéro Pièce 1412BT08205DTB	Rev. 5 0

This drawing is confidential and must not be reproduced or used without the consent of EXM

Ce dessin est confidentiel et ne doit pas être reproduit ou utilisé sans le consentement de EXM

No.	Revisions	Date	By/Par



Isometric View



 Tél: (450) 979-4373 Fax: (450) 979-4626 www.exmweb.com	Flatness Aplatissement
	Max 3.0mm
Projection	

Customer Client	Date
Drawn By Dessiné Par	Date 30-Sep-22

Material Matière	14 Ga Cold Rolled A1008 CS Type B (1.7mm)
---------------------	---

Color Couleur	Asa-61 Grey	Finish Fini	Smooth
------------------	-------------	----------------	--------

Description	Detail Rev.
1412BT 26" x 96" x 8" Body	

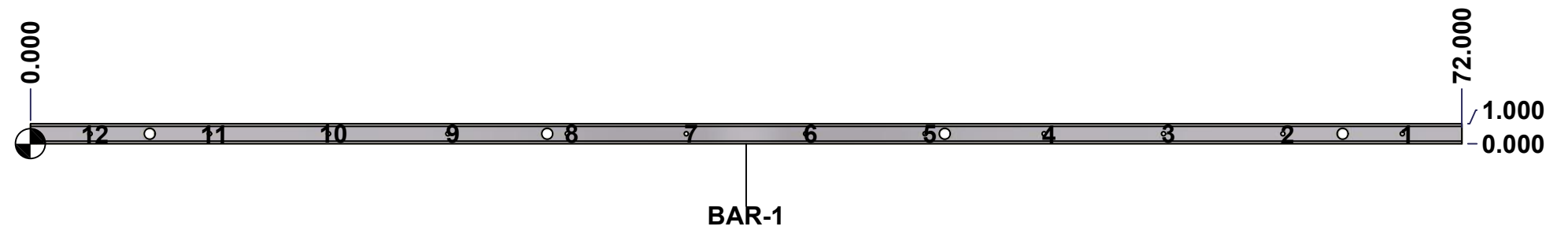
Part Number Numéro Pièce	Rev.	6
1412BT08205DTB	0	18

1	STK-P-02400S	0	Powder Paint (Asa-61 Grey / Smooth)
1	1412BT08205DTB-P	0	1412BT 26" x 96" x 8" Body Part
1	1412BT08205DTE-P	0	1412BT 26" x 96" x 8" Right Body Part
1	STK-G-00701	0	1" x 1/4" Self-Adhesive Neoprene Gasket
10	STK-Q-00260	1	M6 x 13mm Carriage Bolt
10	STK-Q-07220	1	M6 Nylon Insert Lock Nut
10	STK-Q-16005	1	Stud M8 x 35 (No Paint Cap Required)
2	STK-Q-16080	0	Ground Stud M6 x 16mm
1	STK-S-00100	0	3.5" x 2" Silver Milar Flexcon Sticker
Qty	Part Number	Rev	Description
Parts List			

This drawing is confidential and must not be reproduced or used without the consent of Eurobox

Ce dessin est confidentiel et ne doit pas être reproduit ou utilisé sans le consentement de Eurobox

STANDARD FEATURES ARE NOT LISTED IN THIS HOLE TABLE			
HOLE TABLE - FRONT VIEW (CUSTOM FEATURE ONLY)			
CUT-OUT	XDIM	YDIM	DESCRIPTION
1	69.000	0.500	RND Ø0.201 THREAD 1/4-20 UNC
2	63.000	0.500	RND Ø0.201 THREAD 1/4-20 UNC
3	57.000	0.500	RND Ø0.201 THREAD 1/4-20 UNC
4	51.000	0.500	RND Ø0.201 THREAD 1/4-20 UNC
5	45.000	0.500	RND Ø0.201 THREAD 1/4-20 UNC
6	39.000	0.500	RND Ø0.201 THREAD 1/4-20 UNC
7	33.000	0.500	RND Ø0.201 THREAD 1/4-20 UNC
8	27.000	0.500	RND Ø0.201 THREAD 1/4-20 UNC
9	21.000	0.500	RND Ø0.201 THREAD 1/4-20 UNC
10	15.000	0.500	RND Ø0.201 THREAD 1/4-20 UNC
11	9.000	0.500	RND Ø0.201 THREAD 1/4-20 UNC
12	3.000	0.500	RND Ø0.201 THREAD 1/4-20 UNC

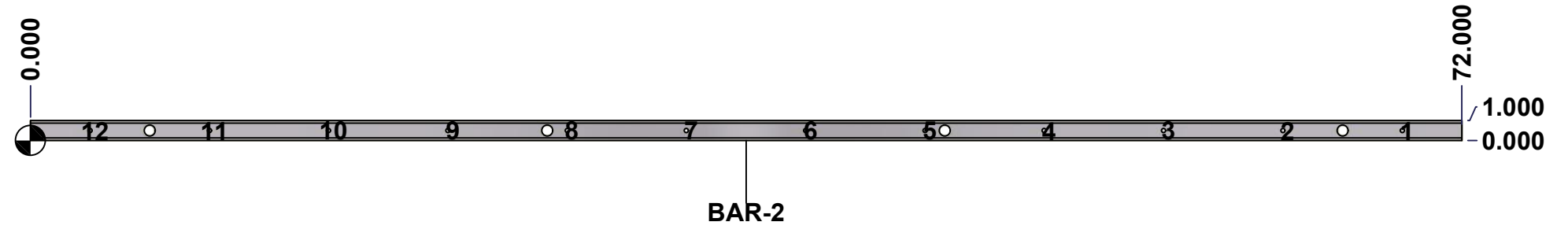


	Description	Status	
	Rounded Edge Aluminum Bar 1/4" x 1"	(NULL)	
	Part Number Numéro Pièce	Rev.	
	1412BT08205DTBAR1-P	0	7 18

This drawing is confidential and must not be reproduced or used without the consent of Eurobox

Ce dessin est confidentiel et ne doit pas être reproduit ou utilisé sans le consentement de Eurobox

STANDARD FEATURES ARE NOT LISTED IN THIS HOLE TABLE			
HOLE TABLE - FRONT VIEW (CUSTOM FEATURE ONLY)			
CUT-OUT	XDIM	YDIM	DESCRIPTION
1	69.000	0.500	RND Ø0.201 THREAD 1/4-20 UNC
2	63.000	0.500	RND Ø0.201 THREAD 1/4-20 UNC
3	57.000	0.500	RND Ø0.201 THREAD 1/4-20 UNC
4	51.000	0.500	RND Ø0.201 THREAD 1/4-20 UNC
5	45.000	0.500	RND Ø0.201 THREAD 1/4-20 UNC
6	39.000	0.500	RND Ø0.201 THREAD 1/4-20 UNC
7	33.000	0.500	RND Ø0.201 THREAD 1/4-20 UNC
8	27.000	0.500	RND Ø0.201 THREAD 1/4-20 UNC
9	21.000	0.500	RND Ø0.201 THREAD 1/4-20 UNC
10	15.000	0.500	RND Ø0.201 THREAD 1/4-20 UNC
11	9.000	0.500	RND Ø0.201 THREAD 1/4-20 UNC
12	3.000	0.500	RND Ø0.201 THREAD 1/4-20 UNC

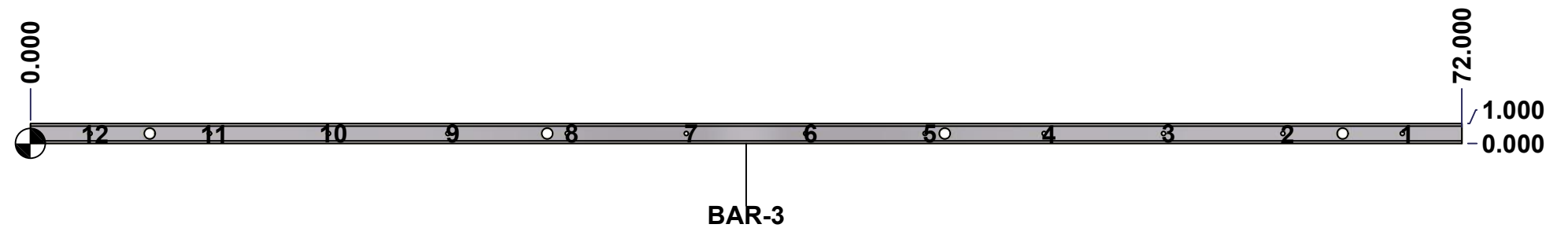


	Description	Status
	Rounded Edge Aluminum Bar 1/4" x 1"	(NULL)
	Part Number Numéro Pièce	Rev.
	1412BT08205DTBAR2-P	0 / 8
		18

This drawing is confidential and must not be reproduced or used without the consent of Eurobox

Ce dessin est confidentiel et ne doit pas être reproduit ou utilisé sans le consentement de Eurobox

STANDARD FEATURES ARE NOT LISTED IN THIS HOLE TABLE			
HOLE TABLE - FRONT VIEW (CUSTOM FEATURE ONLY)			
CUT-OUT	XDIM	YDIM	DESCRIPTION
1	69.000	0.500	RND Ø0.201 THREAD 1/4-20 UNC
2	63.000	0.500	RND Ø0.201 THREAD 1/4-20 UNC
3	57.000	0.500	RND Ø0.201 THREAD 1/4-20 UNC
4	51.000	0.500	RND Ø0.201 THREAD 1/4-20 UNC
5	45.000	0.500	RND Ø0.201 THREAD 1/4-20 UNC
6	39.000	0.500	RND Ø0.201 THREAD 1/4-20 UNC
7	33.000	0.500	RND Ø0.201 THREAD 1/4-20 UNC
8	27.000	0.500	RND Ø0.201 THREAD 1/4-20 UNC
9	21.000	0.500	RND Ø0.201 THREAD 1/4-20 UNC
10	15.000	0.500	RND Ø0.201 THREAD 1/4-20 UNC
11	9.000	0.500	RND Ø0.201 THREAD 1/4-20 UNC
12	3.000	0.500	RND Ø0.201 THREAD 1/4-20 UNC

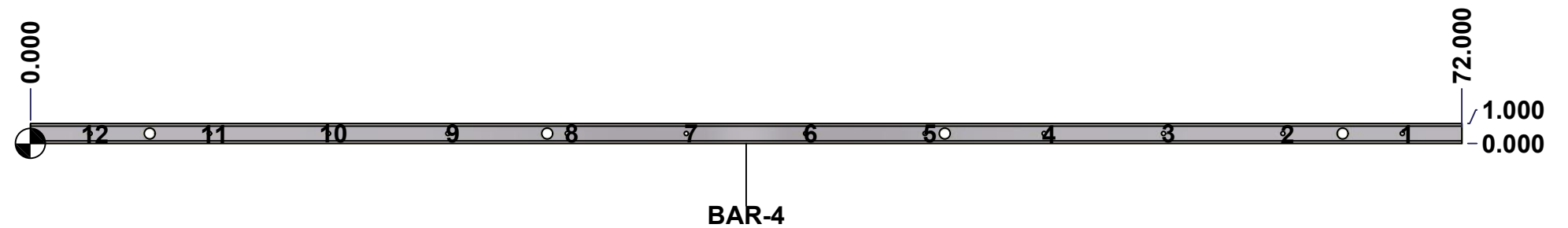


	Description	Status
	Rounded Edge Aluminum Bar 1/4" x 1"	(NULL)
	Part Number Numéro Pièce	Rev.
	1412BT08205DTBAR3-P	0 / 9
		18

This drawing is confidential and must not be reproduced or used without the consent of Eurobox

Ce dessin est confidentiel et ne doit pas être reproduit ou utilisé sans le consentement de Eurobox

STANDARD FEATURES ARE NOT LISTED IN THIS HOLE TABLE			
HOLE TABLE - FRONT VIEW (CUSTOM FEATURE ONLY)			
CUT-OUT	XDIM	YDIM	DESCRIPTION
1	69.000	0.500	RND Ø0.201 THREAD 1/4-20 UNC
2	63.000	0.500	RND Ø0.201 THREAD 1/4-20 UNC
3	57.000	0.500	RND Ø0.201 THREAD 1/4-20 UNC
4	51.000	0.500	RND Ø0.201 THREAD 1/4-20 UNC
5	45.000	0.500	RND Ø0.201 THREAD 1/4-20 UNC
6	39.000	0.500	RND Ø0.201 THREAD 1/4-20 UNC
7	33.000	0.500	RND Ø0.201 THREAD 1/4-20 UNC
8	27.000	0.500	RND Ø0.201 THREAD 1/4-20 UNC
9	21.000	0.500	RND Ø0.201 THREAD 1/4-20 UNC
10	15.000	0.500	RND Ø0.201 THREAD 1/4-20 UNC
11	9.000	0.500	RND Ø0.201 THREAD 1/4-20 UNC
12	3.000	0.500	RND Ø0.201 THREAD 1/4-20 UNC

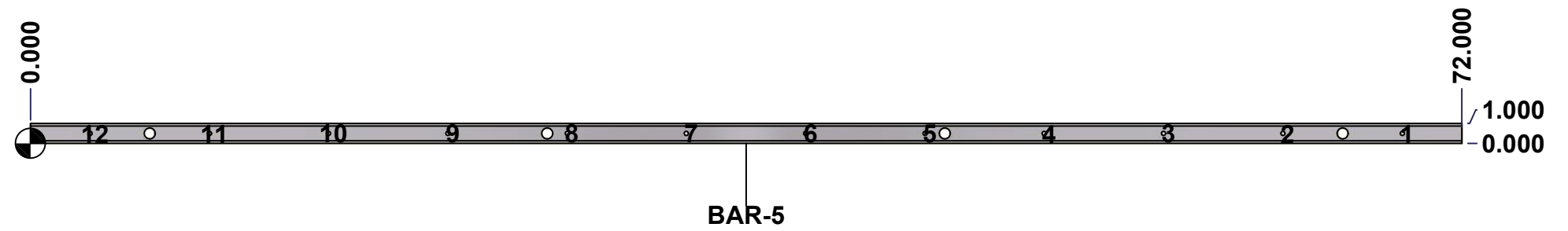


	Description	Status	
	Rounded Edge Aluminum Bar 1/4" x 1"	(NULL)	
	Part Number	Rev.	10
	Numéro Pièce	0	18

This drawing is confidential and must not be reproduced or used without the consent of Eurobox

Ce dessin est confidentiel et ne doit pas être reproduit ou utilisé sans le consentement de Eurobox

STANDARD FEATURES ARE NOT LISTED IN THIS HOLE TABLE			
HOLE TABLE - FRONT VIEW (CUSTOM FEATURE ONLY)			
CUT-OUT	XDIM	YDIM	DESCRIPTION
1	69.000	0.500	RND Ø0.201 THREAD 1/4-20 UNC
2	63.000	0.500	RND Ø0.201 THREAD 1/4-20 UNC
3	57.000	0.500	RND Ø0.201 THREAD 1/4-20 UNC
4	51.000	0.500	RND Ø0.201 THREAD 1/4-20 UNC
5	45.000	0.500	RND Ø0.201 THREAD 1/4-20 UNC
6	39.000	0.500	RND Ø0.201 THREAD 1/4-20 UNC
7	33.000	0.500	RND Ø0.201 THREAD 1/4-20 UNC
8	27.000	0.500	RND Ø0.201 THREAD 1/4-20 UNC
9	21.000	0.500	RND Ø0.201 THREAD 1/4-20 UNC
10	15.000	0.500	RND Ø0.201 THREAD 1/4-20 UNC
11	9.000	0.500	RND Ø0.201 THREAD 1/4-20 UNC
12	3.000	0.500	RND Ø0.201 THREAD 1/4-20 UNC



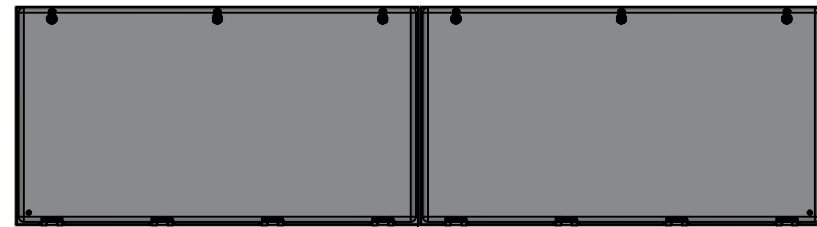
	Description	Status	
	Rounded Edge Aluminum Bar 1/4" x 1"	(NULL)	
	Part Number Numéro Pièce	Rev.	11
	1412BT08205DTBAR5-P	0	18

This drawing is confidential and must not be reproduced or used without the consent of EXM

Ce dessin est confidentiel et ne doit pas être reproduit ou utilisé sans le consentement de EXM



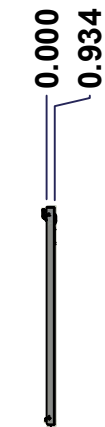
TOP



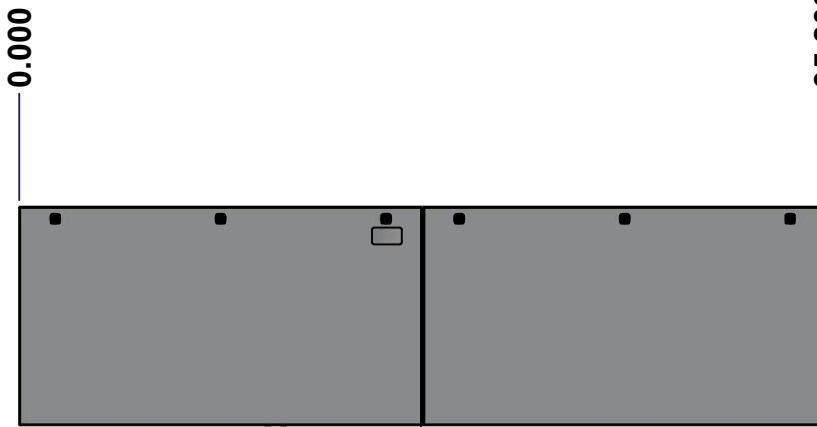
BACK



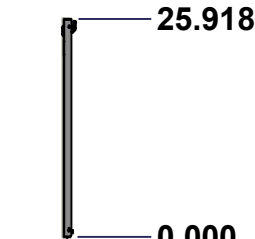
BOTTOM



LEFT

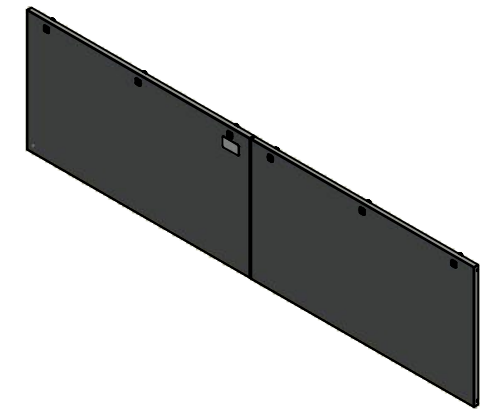


FRONT



RIGHT

No.	Revisions	Date	By/Par



Isometric View



Tél: (450) 979-4373
 Fax: (450) 979-4626
www.exmweb.com

Flatness
Aplatissement
Max 3.0mm
Projection

Customer Client	Date
Drawn By Dessiné Par BoxCad: BoxCad	Date 30-Sep-22
Material Matière 14 Ga Cold Rolled A1008 CS Type B (1.7mm)	
Color Couleur Asa-61 Grey	Finish Fini Smooth
Description 1412BT 26" x 96" Cover	Detail Rev.
Part Number Numéro Pièce 1412BT08205DTC	Rev. 0

SEE BILL OF MATERIAL ON LAST PAGE

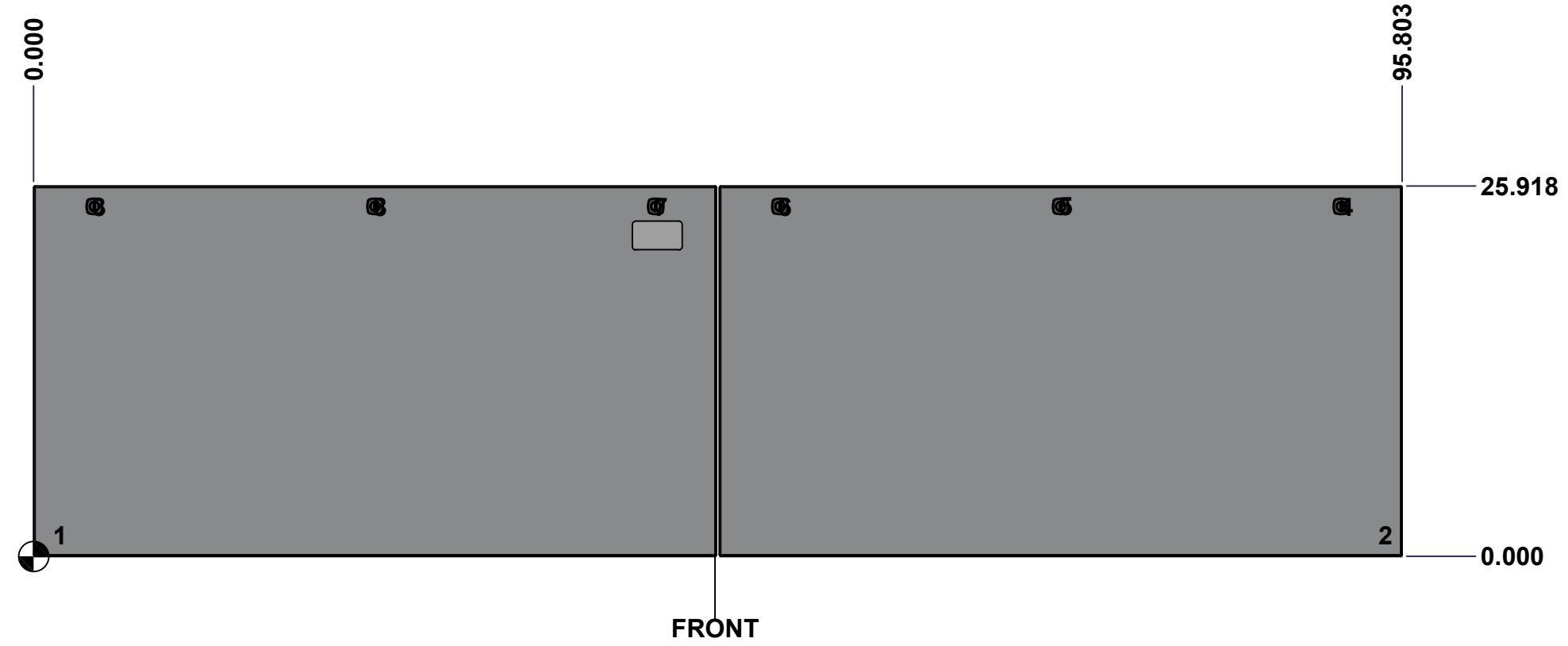
This drawing is confidential and must not be reproduced or used without the consent of Eurobox

Ce dessin est confidentiel et ne doit pas être reproduit ou utilisé sans le consentement de Eurobox

STANDARD FEATURES ARE NOT LISTED IN THIS HOLE TABLE

HOLE TABLE - FRONT VIEW (CUSTOM FEATURE ONLY)

CUT-OUT	XDIM	YDIM	DESCRIPTION
1	1.500	1.486	GND STUD M6 x 16mm (Inside)
2	94.303	1.486	GND STUD M6 x 16mm (Inside)
3	4.250	24.494	LOCK 880 SCQ4-SL @ 90.0°
4	91.553	24.494	LOCK 880 SCQ4-SL @ 90.0°
5	71.902	24.494	LOCK 880 SCQ4-SL @ 90.0°
6	52.250	24.494	LOCK 880 SCQ4-SL @ 90.0°
7	43.553	24.494	LOCK 880 SCQ4-SL @ 90.0°
8	23.902	24.494	LOCK 880 SCQ4-SL @ 90.0°

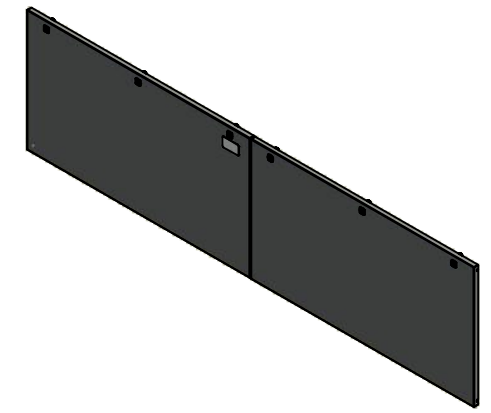


	Description 1412BT 26" x 96" Cover	Status (NULL)
	Part Number Numéro Pièce 1412BT08205DTC	Rev. 13 0 18

This drawing is confidential and must not be reproduced or used without the consent of EXM


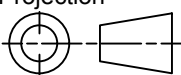
Ce dessin est confidentiel et ne doit pas être reproduit ou utilisé sans le consentement de EXM

No.	Revisions	Date	By/Par



Isometric View

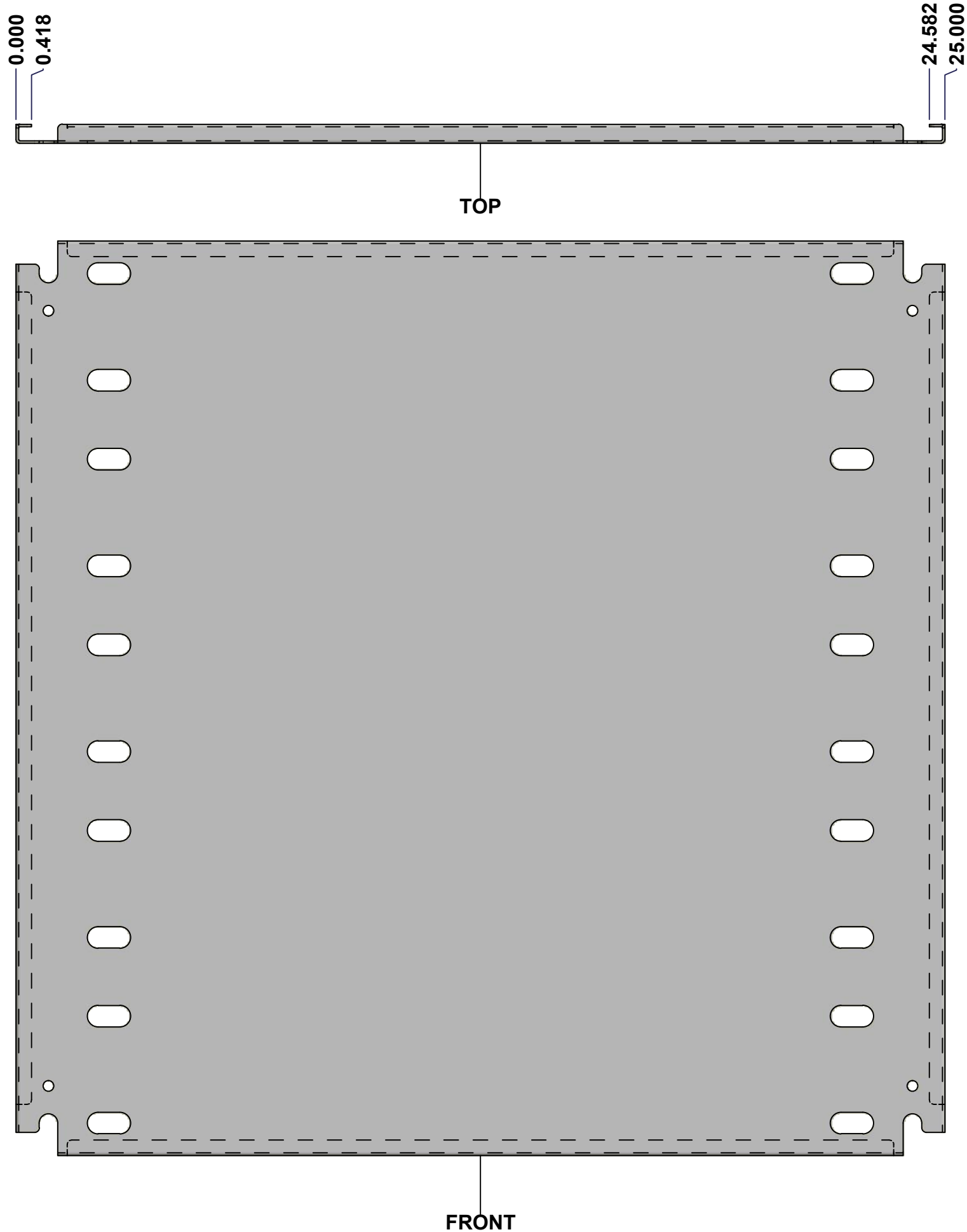


 Tél: (450) 979-4373 Fax: (450) 979-4626 www.exmweb.com	Flatness Aplatissement	Max 3.0mm
	Projection	
Customer Client	Date	
Drawn By Dessiné Par	BoxCad: BoxCad	Date 30-Sep-22
Material Matière	14 Ga Cold Rolled A1008 CS Type B (1.7mm)	
Color Couleur	Asa-61 Grey	Finish Fini Smooth
Description	Detail Rev.	
1412BT 26" x 96" Cover		
Part Number Numéro Pièce	Rev.	14
1412BT08205DTC	0	18

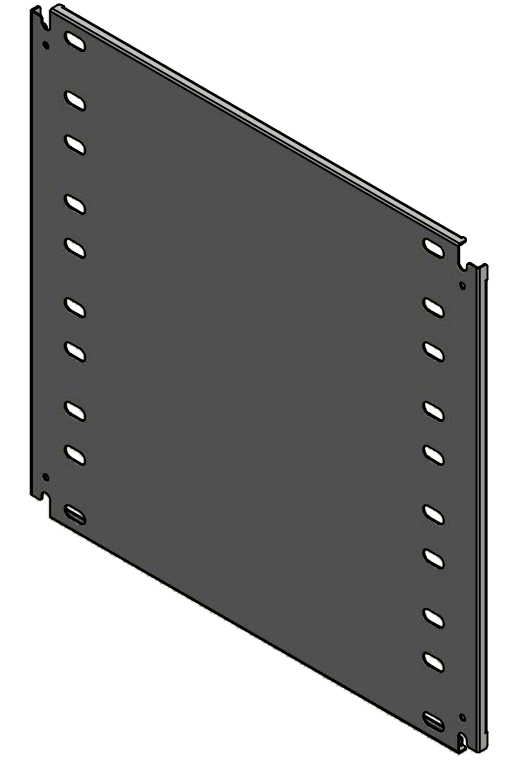
Qty	Part Name	Rev	Description
2	1412BT08205DTG	0	1412BT 26" x 96" Cover Gasket
1	STK-P-02400S	0	Powder Paint (Asa-61 Grey / Smooth)
8	STK-K-09800	10	5412 ES Hinge with 2 Captive Hinge Pins
2	STK-Q-16080	0	Ground Stud M6 x 16mm
1	STK-S-00100	0	3.5" x 2" Silver Milar Flexcon Sticker
1	1412BT08205DTC-P	0	1412BT 26" x 96" Cover Part
1	1412BT08205DTF-P	0	1412BT 26" x 96" Right Cover Part
6	880 SCQ4-SL	6	5412 ES 1/4 Turn Lock
Parts List			

This drawing is confidential and must not be reproduced or used without the consent of EXM

Ce dessin est confidentiel et ne doit pas être reproduit ou utilisé sans le consentement de EXM



No.	Revisions	Date	By/Par



Isometric View



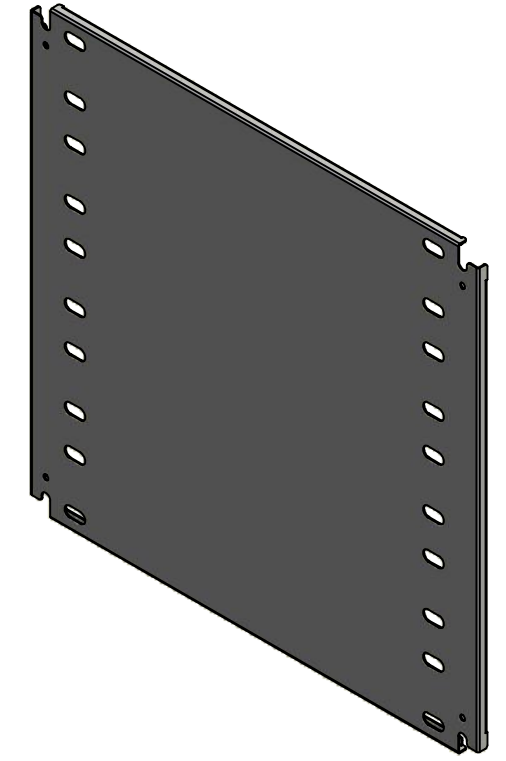
<p>Tél: (450) 979-4373 Fax: (450) 979-4626 www.exmweb.com</p>	Flatness Aplatissement	Max 3.0mm
	Projection	
Customer Client	Date	
Drawn By Dessiné Par	BoxCad: BoxCad	Date 30-Sep-22
Material Matière	14 Ga Cold Rolled A1008 CS Type B (1.7mm)	
Color Couleur	White RAL9003	Finish Fini Smooth
Description	Detail Rev.	
1412BT 24.625" x 65" Inner Panel		
Part Number Numéro Pièce	Rev.	15
1412BT08205DTIP1	0	18

SEE BILL OF MATERIAL ON LAST PAGE

This drawing is confidential and must not be reproduced or used without the consent of EXM


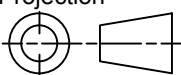
Ce dessin est confidentiel et ne doit pas être reproduit ou utilisé sans le consentement de EXM

No.	Revisions	Date	By/Par



Isometric View

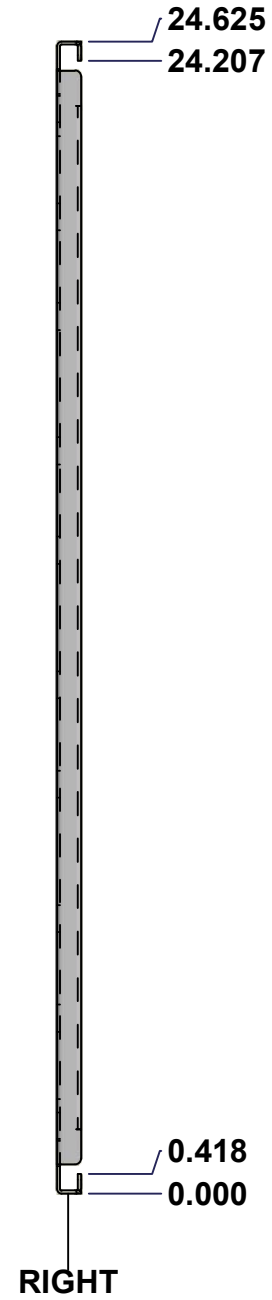
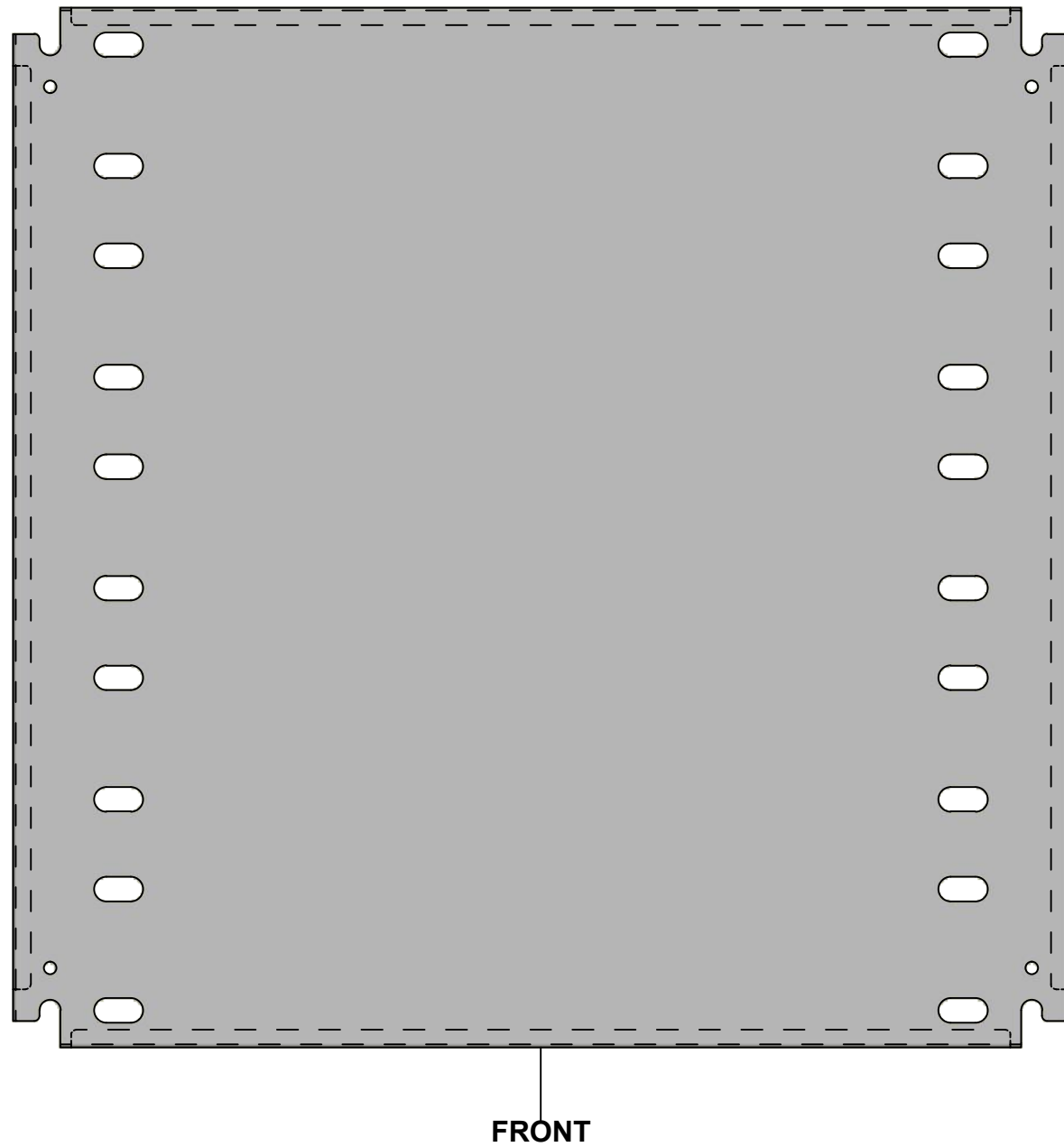
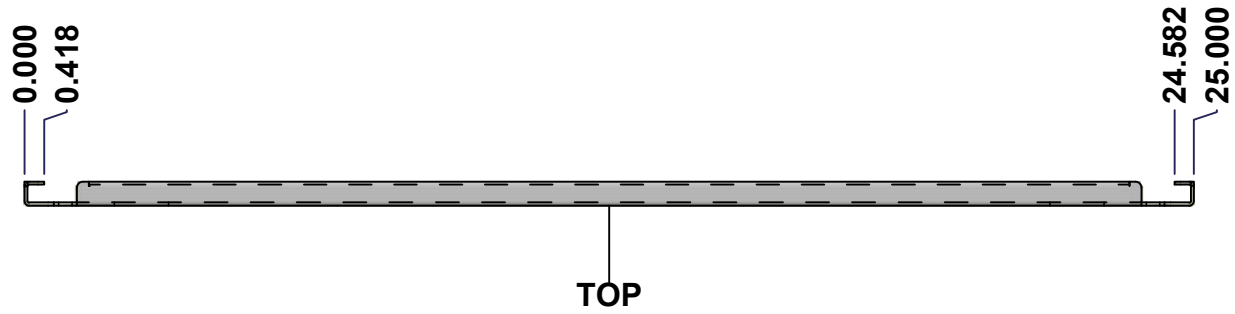


 Tél: (450) 979-4373 Fax: (450) 979-4626 www.exmweb.com		Flatness Aplatissement Max 3.0mm Projection 
Customer Client	Date	
Drawn By Dessiné Par	BoxCad: BoxCad	Date 30-Sep-22
Material Matière	14 Ga Cold Rolled A1008 CS Type B (1.7mm)	
Color Couleur	White RAL9003	Finish Fini Smooth
Description		Detail Rev.
1412BT 24.625" x 65" Inner Panel		
Part Number Numéro Pièce		Rev. 16
1412BT08205DTIP1		0 18

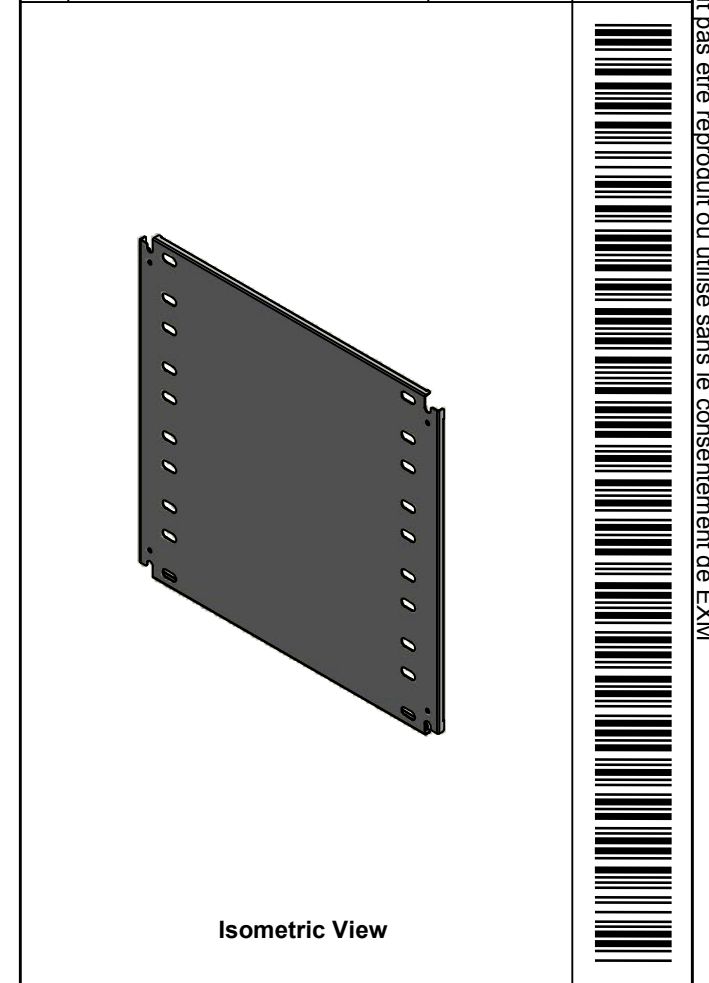
Qty	Part Number	Rev	Description
1	STK-P-02401S	0	Powder Paint (White / Smooth)
1	1412BT08205DTIP1-P	0	1412BT 24.625" x 96" Inner Panel Part
Parts List			

This drawing is confidential and must not be reproduced or used without the consent of EXM

Ce dessin est confidentiel et ne doit pas être reproduit ou utilisé sans le consentement de EXM



No.	Revisions	Date	By/Par



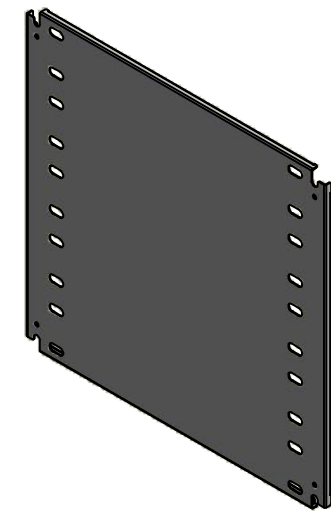
Tél: (450) 979-4373 Fax: (450) 979-4626 www.exmweb.com	Flatness Aplatissement Max 3.0mm
	Projection
Customer Client	Date
Drawn By Dessiné Par BoxCad: BoxCad	Date 30-Sep-22
Material Matière 14 Ga Cold Rolled A1008 CS Type B (1.7mm)	
Color Couleur White RAL9003	Finish Fini Smooth
Description 1412BT 24.625" x 28" Right Inner Panel	
Detail Rev.	
Part Number Numéro Pièce 1412BT08205DTIP2	Rev. 17 0 18

SEE BILL OF MATERIAL ON LAST PAGE

This drawing is confidential and must not be reproduced or used without the consent of EXM


Ce dessin est confidentiel et ne doit pas être reproduit ou utilisé sans le consentement de EXM

No.	Revisions	Date	By/Par



Isometric View



 Tél: (450) 979-4373 Fax: (450) 979-4626 www.exmweb.com		Flatness Aplatissement Max 3.0mm	
Customer Client		Date	
Drawn By Dessiné Par BoxCad: BoxCad		Date 30-Sep-22	
Material Matière 14 Ga Cold Rolled A1008 CS Type B (1.7mm)			
Color Couleur White RAL9003		Finish Fini Smooth	
Description 1412BT 24.625" x 28" Right Inner Panel			Detail Rev.
Part Number Numéro Pièce 1412BT08205DTIP2		Rev. 0	18 / 18

Qty	Part Number	Rev	Description
1	STK-P-02401S	0	Powder Paint (White / Smooth)
1	1412BT08205DTIP2-P	0	1412BT 24.625" x 96" Right Inner Panel Part
Parts List			