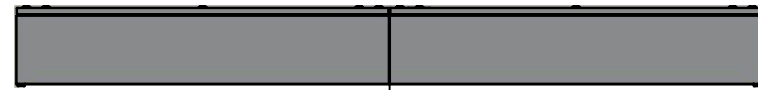


This drawing is confidential and must not be reproduced or used without the consent of EXM

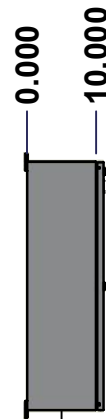
Ce dessin est confidentiel et ne doit pas être reproduit ou utilisé sans le consentement de EXM



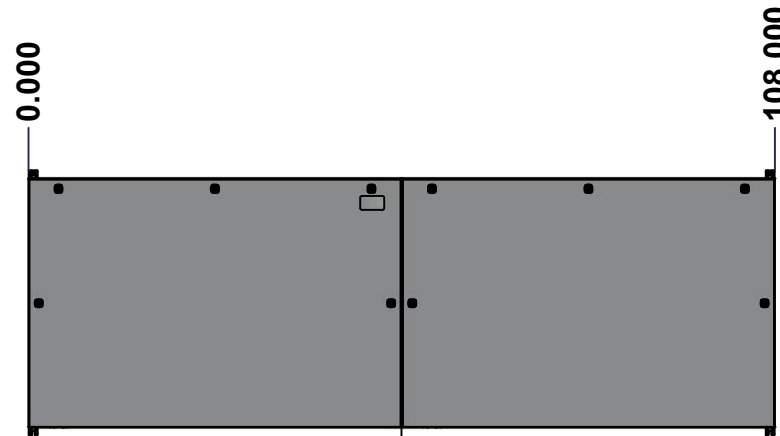
TOP



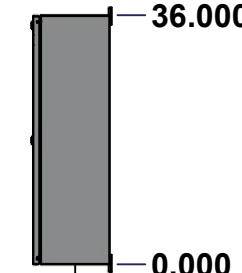
LEFT



LEFT



FRONT

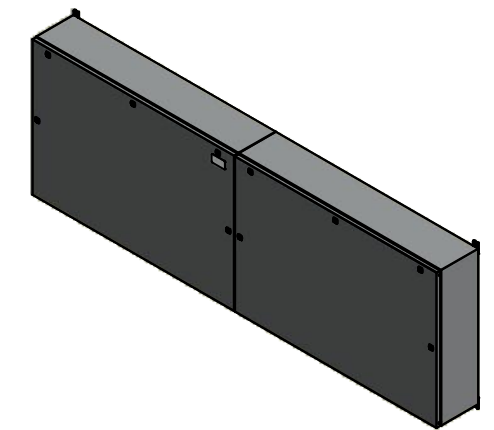


RIGHT



BOTTOM

No.	Revisions	Date	By/Par



Isometric View

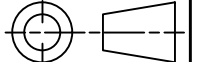


Tél: (450) 979-4373  
 Fax: (450) 979-4626  
[www.exmweb.com](http://www.exmweb.com)

Flatness  
Aplatissement

Max 3.0mm

Projection



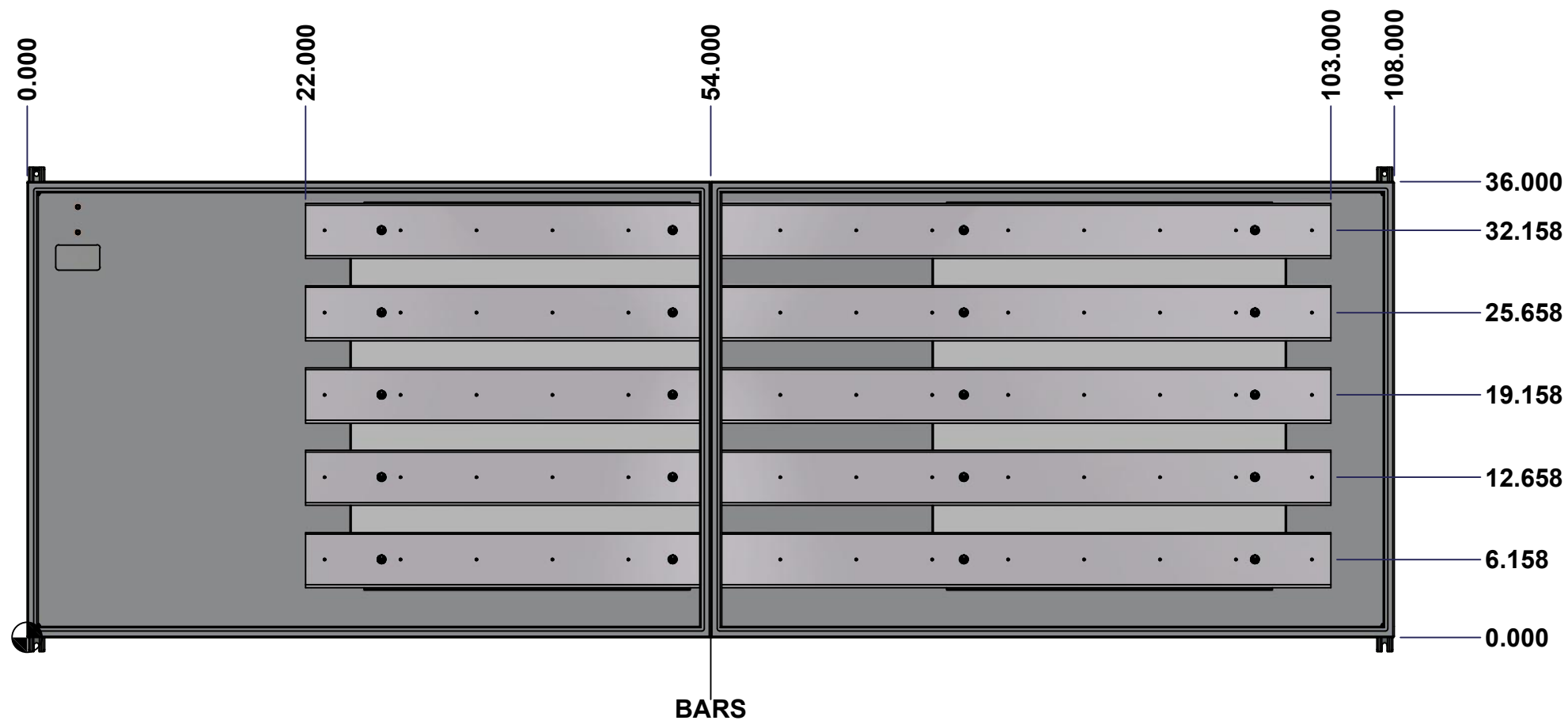
Customer Client	Date
Drawn By Dessiné Par BoxCad: BoxCad	Date 2022-10-04
Material Matière 14 Ga Cold Rolled A1008 CS Type B (1.7mm)	
Color Couleur Asa-61 Grey	Finish Fini Smooth
Description 1412BT 1000A - 5Wires x 108" Assembly	Detail Rev.
Part Number Numéro Pièce 1412BT091005DT	Rev. 0

SEE BILL OF MATERIAL ON LAST PAGE

This drawing is confidential and must not be reproduced or used without the consent of Eurobox

**STANDARD FEATURES ARE NOT LISTED IN THIS HOLE TABLE**

Ce dessin est confidentiel et ne doit pas être reproduit ou utilisé sans le consentement de Eurobox



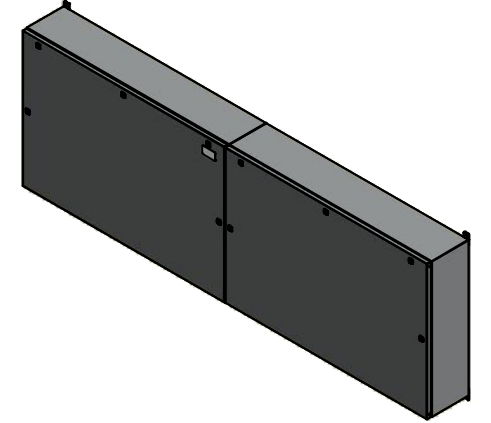
	Description		Status
	1412BT 1000A - 5Wires x 108" Assembly		(NULL)
Part Number		Rev.	2
Numéro Pièce		<b>0</b>	18
<b>1412BT091005DT</b>			

This drawing is confidential and must not be reproduced or used without the consent of EXM

Ce dessin est confidentiel et ne doit pas être reproduit ou utilisé sans le consentement de EXM

NOTE	
ITEM	DESCRIPTION
1	NEMA 4/12 Enclosure
2	C/W Standard ground studs on box and cover
3	W/O Standard door stiffener
4	C/W Special inner panel (Sold separately)
5	C/W Standard inner panel mounting studs

No.	Revisions	Date	By/Par



Isometric View



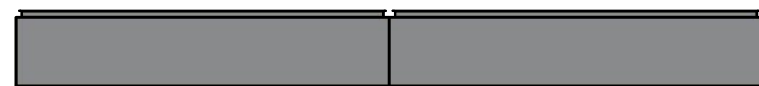
PACKING		
ITEM	QTY	DESCRIPTION
Cardboard sleeve	2	Top and Bottom
Cardboard strip	2	Between back of enclosure and inner panel
Plastic bag	1	To protect cover surface and inside gasket
Cardboard corner	4	To reinforced for the plastic strap tightening
Plastic strap - Black	2	To Squeeze 2 cardboard sleeve together
Packaging label	3	White label with PN
Plastic strap- Green	2	To secure the enclosure to the wood pallet
Wood Pallet	1	2" deeper and 3" larger than enclosure size

1	885 ESMF1	0	885 ESMF1 Mounting Feet Kit
1	1412BT091005DTIP2	0	1412BT 30.625" x 28" Right Inner Panel
1	1412BT091005DTBAR1-P	0	Rounded Edge Aluminum Bar 3/8" x 4 1/2"
1	1412BT091005DTBAR2-P	0	Rounded Edge Aluminum Bar 3/8" x 4 1/2"
1	1412BT091005DTBAR3-P	0	Rounded Edge Aluminum Bar 3/8" x 4 1/2"
1	1412BT091005DTBAR4-P	0	Rounded Edge Aluminum Bar 3/8" x 4 1/2"
1	1412BT091005DTBAR5-P	0	Rounded Edge Aluminum Bar 3/8" x 4 1/2"
1	1412BT091005DTIP1	0	1412BT 30.625" x 28" Left Inner Panel
20	STK-A-67400	0	Buss Bar Insulator Kit
1	STK-K-01800	5	5412 ES Accessory Kit
8	STK-Q-04050-07	7	M6 x 7mm Hexagon Socket Head Machine Screw with Nyseal
28	STK-Q-07310	2	Flange Lock Nut M8
8	STK-Q-07610	8	M8 Plastic Spacer 22.2mm
1	1412BT091005DTB	0	1412BT 36" x 108" x 10" Body
1	1412BT091005DTC	0	1412BT 36" x 108" Cover
Qty	Part Number	Rev	Description
Parts List			

	Tél: (450) 979-4373 Fax: (450) 979-4626 <a href="http://www.exmweb.com">www.exmweb.com</a>	Flatness	Aplatissement	
		Max 3.0mm		
Projection				
Customer	Client	Date		
Drawn By	Dessiné Par	BoxCad: BoxCad	Date 2022-10-04	
Material	Matière	14 Ga Cold Rolled A1008 CS Type B (1.7mm)		
Color	Couleur	Asa-61 Grey	Finish Fini Smooth	
Description		Detail Rev.		
1412BT 1000A - 5Wires x 108" Assembly				
Part Number		Rev.	3	
Numéro Pièce		0	18	
<b>1412BT091005DT</b>				

This drawing is confidential and must not be reproduced or used without the consent of EXM

Ce dessin est confidentiel et ne doit pas être reproduit ou utilisé sans le consentement de EXM



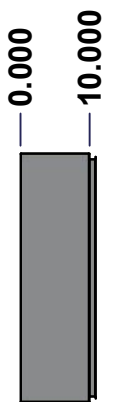
TOP



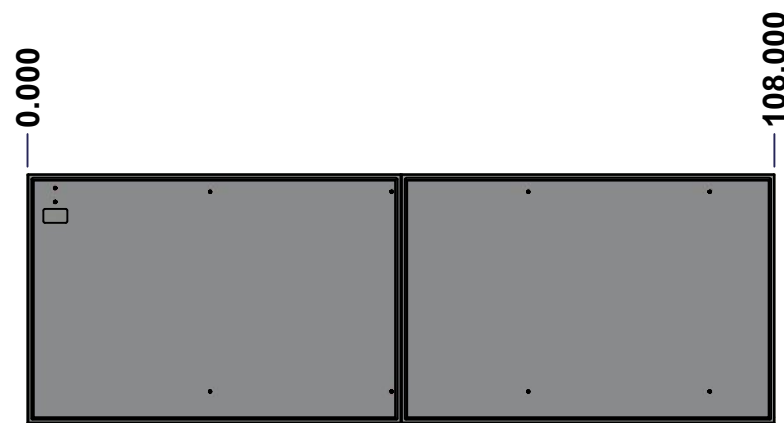
BACK



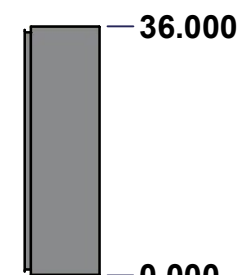
BOTTOM



LEFT

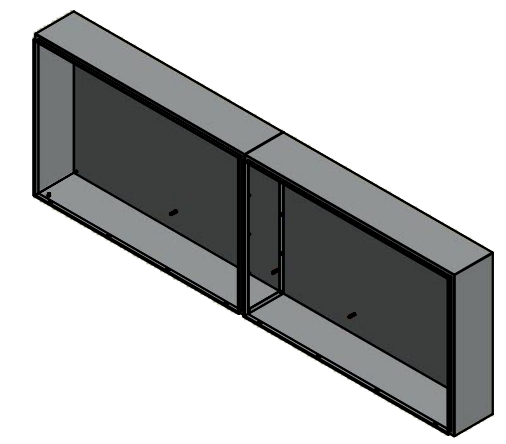


FRONT



RIGHT

No.	Revisions	Date	By/Par



Isometric View



Tél: (450) 979-4373  
 Fax: (450) 979-4626  
[www.exmweb.com](http://www.exmweb.com)

Flatness  
Aplatissement  
Max 3.0mm  
Projection

Customer Client  
 Drawn By Dessiné Par BoxCad: BoxCad  
 Date 2022-10-04

Material Matière 14 Ga Cold Rolled A1008 CS Type B (1.7mm)

Color Couleur Asa-61 Grey  
 Finish Fini Smooth

Description 1412BT 36" x 108" x 10" Body  
 Detail Rev.

Part Number Numéro Pièce 1412BT091005DTB  
 Rev. 0

SEE BILL OF MATERIAL ON LAST PAGE

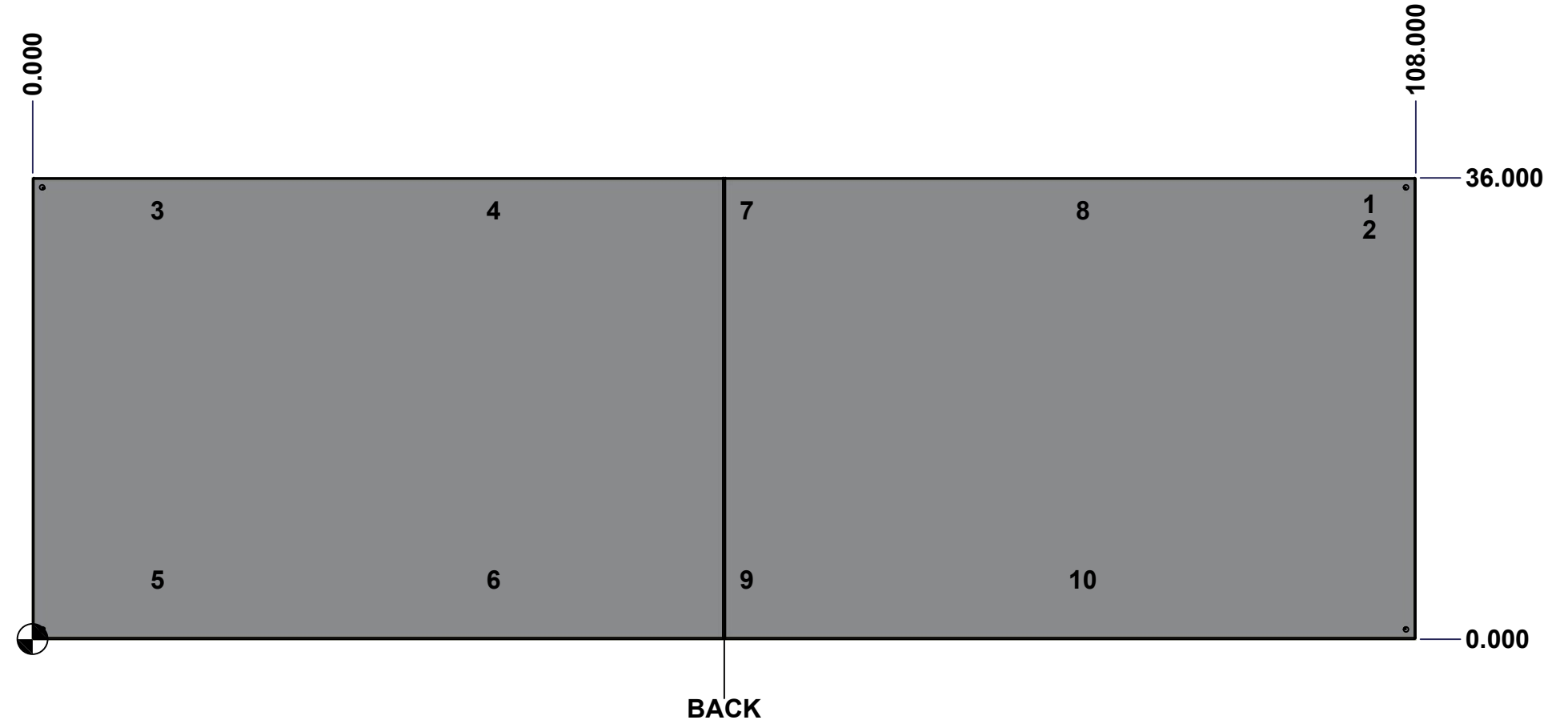
This drawing is confidential and must not be reproduced or used without the consent of Eurobox

Ce dessin est confidentiel et ne doit pas être reproduit ou utilisé sans le consentement de Eurobox

**STANDARD FEATURES ARE NOT LISTED IN THIS HOLE TABLE**

**HOLE TABLE - BACK VIEW (CUSTOM FEATURE ONLY)**

CUT-OUT	XDIM	YDIM	DESCRIPTION
1	104.000	34.000	GND STUD M8 x 35mm (Inside)
2	104.000	32.000	GND STUD M8 x 35mm (Inside)
3	9.375	33.500	IP STUD M8 x 35mm (Inside)
4	35.625	33.500	IP STUD M8 x 35mm (Inside)
5	9.375	4.625	IP STUD M8 x 35mm (Inside)
6	35.625	4.625	IP STUD M8 x 35mm (Inside)
7	55.375	33.500	IP STUD M8 x 35mm (Inside)
8	81.625	33.500	IP STUD M8 x 35mm (Inside)
9	55.375	4.625	IP STUD M8 x 35mm (Inside)
10	81.625	4.625	IP STUD M8 x 35mm (Inside)

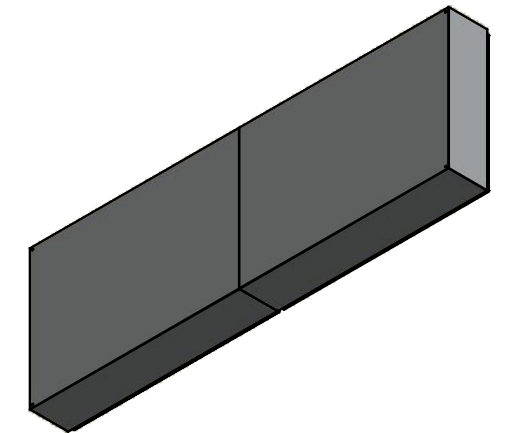


	Description	Status	
	1412BT 36" x 108" x 10" Body	(NULL)	
	Part Number Numéro Pièce	Rev.	5
	<b>1412BT091005DTB</b>	<b>0</b>	18

This drawing is confidential and must not be reproduced or used without the consent of EXM


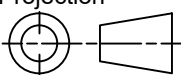
Ce dessin est confidentiel et ne doit pas être reproduit ou utilisé sans le consentement de EXM

No.	Revisions	Date	By/Par



Isometric View



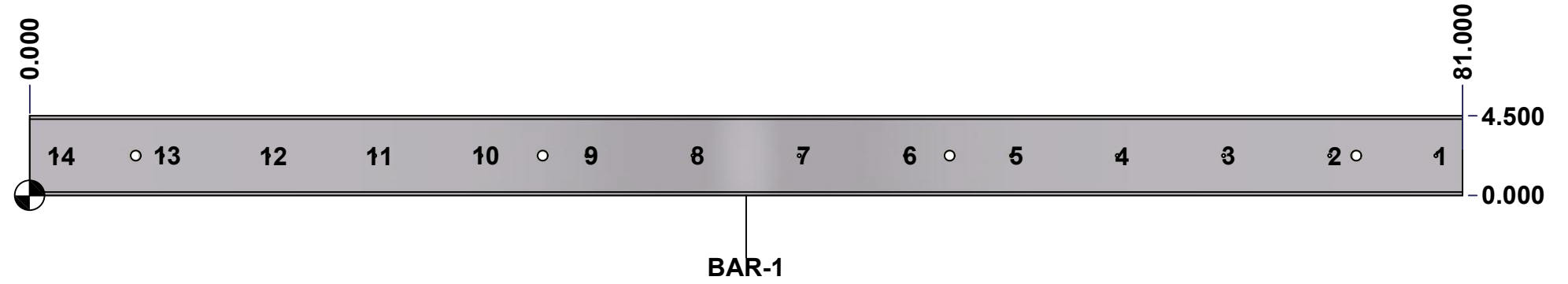
 Tél: (450) 979-4373 Fax: (450) 979-4626 <a href="http://www.exmweb.com">www.exmweb.com</a>		Flatness Aplatissement Max 3.0mm
Projection 		Date 2022-10-04
Customer Client BoxCad: BoxCad		Date 2022-10-04
Material Matière 14 Ga Cold Rolled A1008 CS Type B (1.7mm)		
Color Couleur Asa-61 Grey	Finish Fini Smooth	
Description 1412BT 36" x 108" x 10" Body		Detail Rev. 6
Part Number Numéro Pièce <b>1412BT091005DTB</b>		Rev. <b>0</b>

Qty	Part Number	Rev	Description
1	STK-P-02400S	0	Powder Paint (Asa-61 Grey / Smooth)
1	1412BT091005DTB-P	0	1412BT 36" x 108" x 10" Left Body Part
1	1412BT091005DTE-P	0	1412BT 36" x 108" x 10" Right Body Part
1	STK-G-00701	0	1" x 1/4" Self-Adhesive Neoprene Gasket
10	STK-Q-00260	1	M6 x 13mm Carriage Bolt
10	STK-Q-07220	1	M6 Nylon Insert Lock Nut
10	STK-Q-16005	1	Stud M8 x 35 (No Paint Cap Required)
2	STK-Q-16080	0	Ground Stud M6 x 16mm
1	STK-S-00100	0	3.5" x 2" Silver Milar Flexcon Sticker
Parts List			

This drawing is confidential and must not be reproduced or used without the consent of Eurobox

Ce dessin est confidentiel et ne doit pas être reproduit ou utilisé sans le consentement de Eurobox

STANDARD FEATURES ARE NOT LISTED IN THIS HOLE TABLE			
HOLE TABLE - FRONT VIEW (CUSTOM FEATURE ONLY)			
CUT-OUT	XDIM	YDIM	DESCRIPTION
1	79.500	2.250	RND Ø0.201 THREAD 1/4-20 UNC
2	73.500	2.250	RND Ø0.201 THREAD 1/4-20 UNC
3	67.500	2.250	RND Ø0.201 THREAD 1/4-20 UNC
4	61.500	2.250	RND Ø0.201 THREAD 1/4-20 UNC
5	55.500	2.250	RND Ø0.201 THREAD 1/4-20 UNC
6	49.500	2.250	RND Ø0.201 THREAD 1/4-20 UNC
7	43.500	2.250	RND Ø0.201 THREAD 1/4-20 UNC
8	37.500	2.250	RND Ø0.201 THREAD 1/4-20 UNC
9	31.500	2.250	RND Ø0.201 THREAD 1/4-20 UNC
10	25.500	2.250	RND Ø0.201 THREAD 1/4-20 UNC
11	19.500	2.250	RND Ø0.201 THREAD 1/4-20 UNC
12	13.500	2.250	RND Ø0.201 THREAD 1/4-20 UNC
13	7.500	2.250	RND Ø0.201 THREAD 1/4-20 UNC
14	1.500	2.250	RND Ø0.201 THREAD 1/4-20 UNC



	Description	Status
	Rounded Edge Aluminum Bar 3/8" x 4 1/2"	(NULL)
	Part Number	Rev.
	Numéro Pièce	7
	<b>1412BT091005DTBAR1-P</b>	<b>0</b>
		18

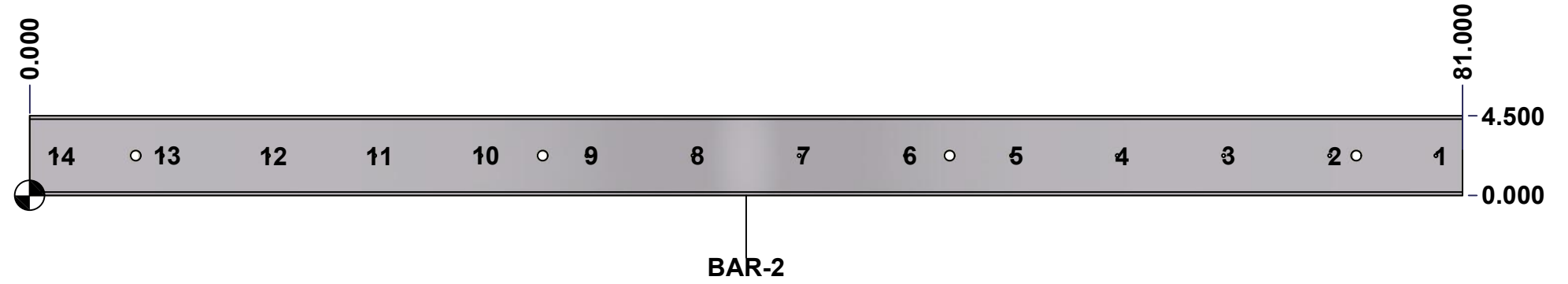
This drawing is confidential and must not be reproduced or used without the consent of Eurobex

Ce dessin est confidentiel et ne doit pas être reproduit ou utilisé sans le consentement de Eurobex

**STANDARD FEATURES ARE NOT LISTED IN THIS HOLE TABLE**

**HOLE TABLE - FRONT VIEW (CUSTOM FEATURE ONLY)**

CUT-OUT	XDIM	YDIM	DESCRIPTION
1	79.500	2.250	RND Ø0.201 THREAD 1/4-20 UNC
2	73.500	2.250	RND Ø0.201 THREAD 1/4-20 UNC
3	67.500	2.250	RND Ø0.201 THREAD 1/4-20 UNC
4	61.500	2.250	RND Ø0.201 THREAD 1/4-20 UNC
5	55.500	2.250	RND Ø0.201 THREAD 1/4-20 UNC
6	49.500	2.250	RND Ø0.201 THREAD 1/4-20 UNC
7	43.500	2.250	RND Ø0.201 THREAD 1/4-20 UNC
8	37.500	2.250	RND Ø0.201 THREAD 1/4-20 UNC
9	31.500	2.250	RND Ø0.201 THREAD 1/4-20 UNC
10	25.500	2.250	RND Ø0.201 THREAD 1/4-20 UNC
11	19.500	2.250	RND Ø0.201 THREAD 1/4-20 UNC
12	13.500	2.250	RND Ø0.201 THREAD 1/4-20 UNC
13	7.500	2.250	RND Ø0.201 THREAD 1/4-20 UNC
14	1.500	2.250	RND Ø0.201 THREAD 1/4-20 UNC



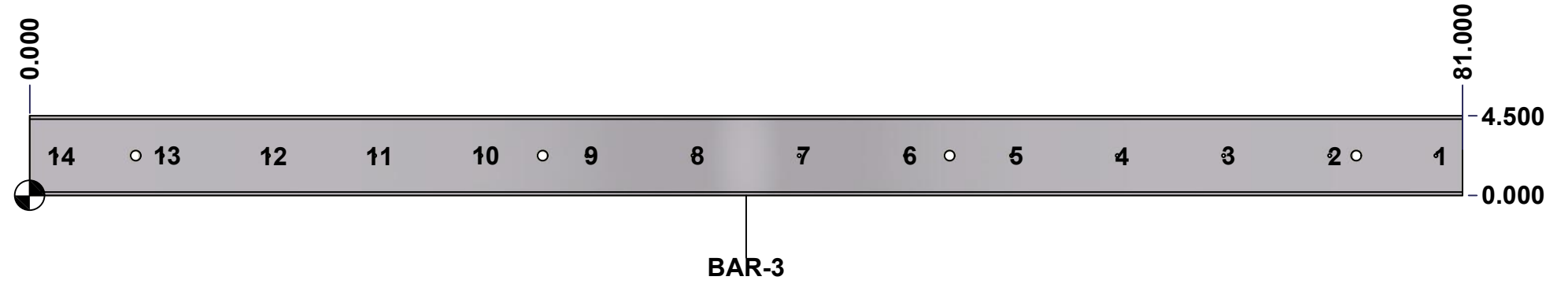
	Description	Status
	Rounded Edge Aluminum Bar 3/8" x 4 1/2"	(NULL)
	Part Number	Rev.
	Numéro Pièce	8
	<b>1412BT091005DTBAR2-P</b>	<b>0</b>
		18



This drawing is confidential and must not be reproduced or used without the consent of Eurobox

Ce dessin est confidentiel et ne doit pas être reproduit ou utilisé sans le consentement de Eurobox

STANDARD FEATURES ARE NOT LISTED IN THIS HOLE TABLE			
HOLE TABLE - FRONT VIEW (CUSTOM FEATURE ONLY)			
CUT-OUT	XDIM	YDIM	DESCRIPTION
1	79.500	2.250	RND Ø0.201 THREAD 1/4-20 UNC
2	73.500	2.250	RND Ø0.201 THREAD 1/4-20 UNC
3	67.500	2.250	RND Ø0.201 THREAD 1/4-20 UNC
4	61.500	2.250	RND Ø0.201 THREAD 1/4-20 UNC
5	55.500	2.250	RND Ø0.201 THREAD 1/4-20 UNC
6	49.500	2.250	RND Ø0.201 THREAD 1/4-20 UNC
7	43.500	2.250	RND Ø0.201 THREAD 1/4-20 UNC
8	37.500	2.250	RND Ø0.201 THREAD 1/4-20 UNC
9	31.500	2.250	RND Ø0.201 THREAD 1/4-20 UNC
10	25.500	2.250	RND Ø0.201 THREAD 1/4-20 UNC
11	19.500	2.250	RND Ø0.201 THREAD 1/4-20 UNC
12	13.500	2.250	RND Ø0.201 THREAD 1/4-20 UNC
13	7.500	2.250	RND Ø0.201 THREAD 1/4-20 UNC
14	1.500	2.250	RND Ø0.201 THREAD 1/4-20 UNC

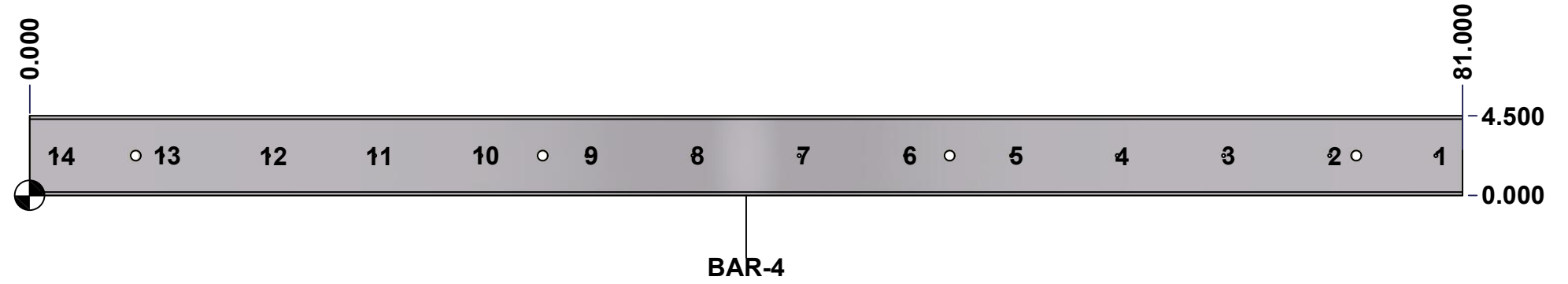


	Description	Status
	Rounded Edge Aluminum Bar 3/8" x 4 1/2"	(NULL)
	Part Number Numéro Pièce	Rev.
	<b>1412BT091005DTBAR3-P</b>	<b>0</b> / 9
		18

This drawing is confidential and must not be reproduced or used without the consent of Eurobox

Ce dessin est confidentiel et ne doit pas être reproduit ou utilisé sans le consentement de Eurobox

STANDARD FEATURES ARE NOT LISTED IN THIS HOLE TABLE			
HOLE TABLE - FRONT VIEW (CUSTOM FEATURE ONLY)			
CUT-OUT	XDIM	YDIM	DESCRIPTION
1	79.500	2.250	RND Ø0.201 THREAD 1/4-20 UNC
2	73.500	2.250	RND Ø0.201 THREAD 1/4-20 UNC
3	67.500	2.250	RND Ø0.201 THREAD 1/4-20 UNC
4	61.500	2.250	RND Ø0.201 THREAD 1/4-20 UNC
5	55.500	2.250	RND Ø0.201 THREAD 1/4-20 UNC
6	49.500	2.250	RND Ø0.201 THREAD 1/4-20 UNC
7	43.500	2.250	RND Ø0.201 THREAD 1/4-20 UNC
8	37.500	2.250	RND Ø0.201 THREAD 1/4-20 UNC
9	31.500	2.250	RND Ø0.201 THREAD 1/4-20 UNC
10	25.500	2.250	RND Ø0.201 THREAD 1/4-20 UNC
11	19.500	2.250	RND Ø0.201 THREAD 1/4-20 UNC
12	13.500	2.250	RND Ø0.201 THREAD 1/4-20 UNC
13	7.500	2.250	RND Ø0.201 THREAD 1/4-20 UNC
14	1.500	2.250	RND Ø0.201 THREAD 1/4-20 UNC



	Description	Status
	Rounded Edge Aluminum Bar 3/8" x 4 1/2"	(NULL)
	Part Number	Rev.
	Numéro Pièce	10
	<b>1412BT091005DTBAR4-P</b>	<b>0</b>
		18

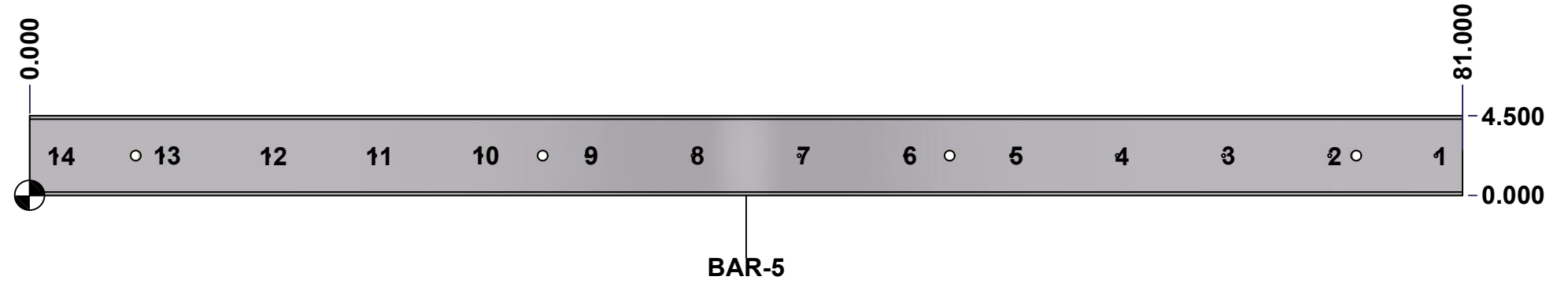
This drawing is confidential and must not be reproduced or used without the consent of Eurobex

Ce dessin est confidentiel et ne doit pas être reproduit ou utilisé sans le consentement de Eurobex

**STANDARD FEATURES ARE NOT LISTED IN THIS HOLE TABLE**

**HOLE TABLE - FRONT VIEW (CUSTOM FEATURE ONLY)**

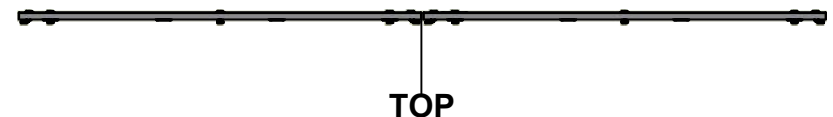
CUT-OUT	XDIM	YDIM	DESCRIPTION
1	79.500	2.250	RND Ø0.201 THREAD 1/4-20 UNC
2	73.500	2.250	RND Ø0.201 THREAD 1/4-20 UNC
3	67.500	2.250	RND Ø0.201 THREAD 1/4-20 UNC
4	61.500	2.250	RND Ø0.201 THREAD 1/4-20 UNC
5	55.500	2.250	RND Ø0.201 THREAD 1/4-20 UNC
6	49.500	2.250	RND Ø0.201 THREAD 1/4-20 UNC
7	43.500	2.250	RND Ø0.201 THREAD 1/4-20 UNC
8	37.500	2.250	RND Ø0.201 THREAD 1/4-20 UNC
9	31.500	2.250	RND Ø0.201 THREAD 1/4-20 UNC
10	25.500	2.250	RND Ø0.201 THREAD 1/4-20 UNC
11	19.500	2.250	RND Ø0.201 THREAD 1/4-20 UNC
12	13.500	2.250	RND Ø0.201 THREAD 1/4-20 UNC
13	7.500	2.250	RND Ø0.201 THREAD 1/4-20 UNC
14	1.500	2.250	RND Ø0.201 THREAD 1/4-20 UNC



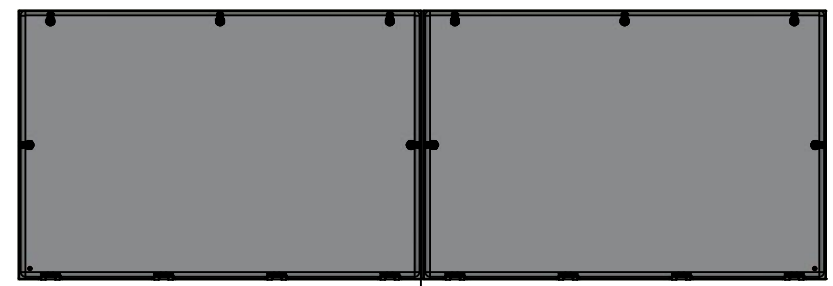
	Description	Status	
	Rounded Edge Aluminum Bar 3/8" x 4 1/2"	(NULL)	
	Part Number Numéro Pièce	Rev.	11
	<b>1412BT091005DTBAR5-P</b>	<b>0</b>	18

This drawing is confidential and must not be reproduced or used without the consent of EXM

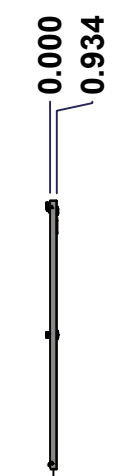
Ce dessin est confidentiel et ne doit pas être reproduit ou utilisé sans le consentement de EXM



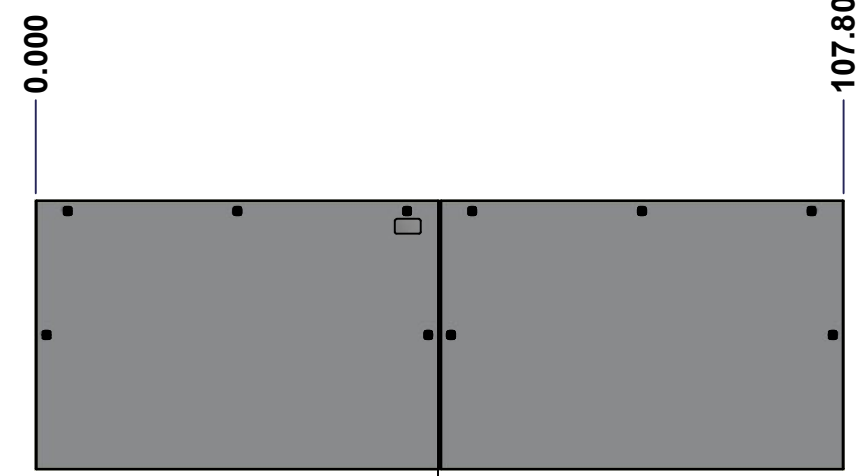
TOP



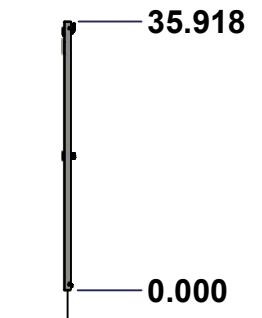
BACK



LEFT



FRONT

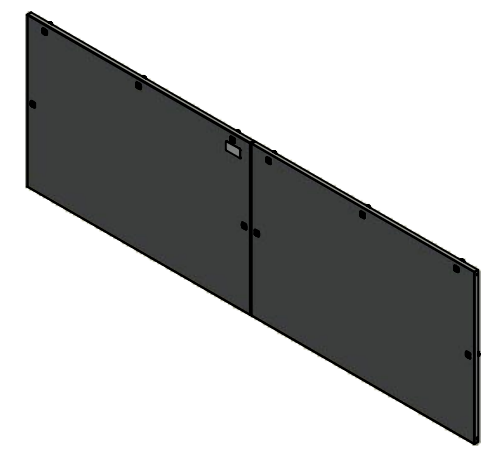


RIGHT



BOTTOM

No.	Revisions	Date	By/Par



Isometric View



Tél: (450) 979-4373  
 Fax: (450) 979-4626  
[www.exmweb.com](http://www.exmweb.com)

Flatness  
 Aplatissement  
 Max 3.0mm  
 Projection

Customer Client  
 Date  
 Drawn By Dessiné Par BoxCad: BoxCad  
 Date 2022-10-04

Material Matière 14 Ga Cold Rolled A1008 CS Type B (1.7mm)

Color Couleur Asa-61 Grey  
 Finish Fini Smooth

Description 1412BT 36" x 108" Cover  
 Detail Rev.

Part Number Numéro Pièce 1412BT091005DTC  
 Rev. 0  
 12  
 18

SEE BILL OF MATERIAL ON LAST PAGE

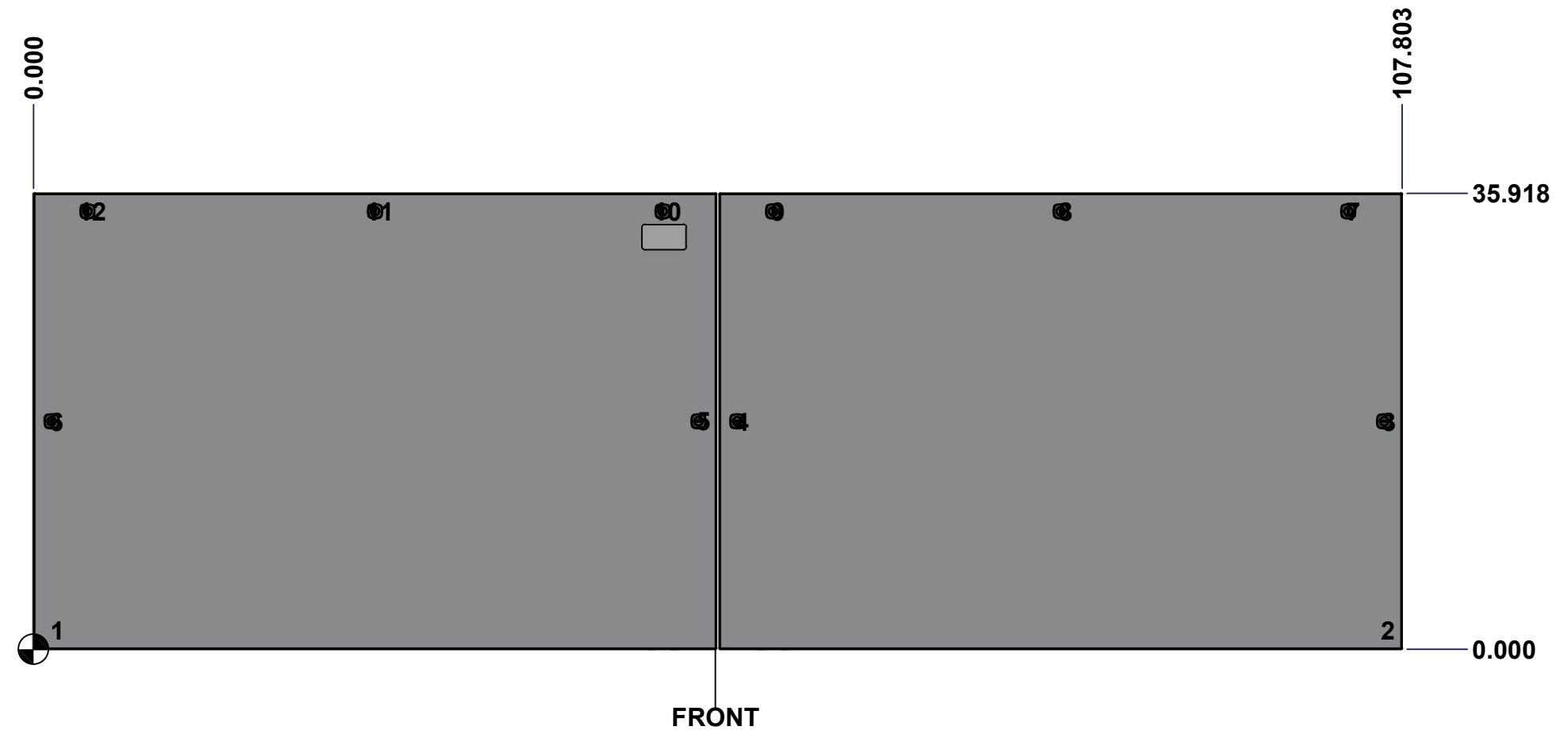
This drawing is confidential and must not be reproduced or used without the consent of Eurobox

Ce dessin est confidentiel et ne doit pas être reproduit ou utilisé sans le consentement de Eurobox

**STANDARD FEATURES ARE NOT LISTED IN THIS HOLE TABLE**

**HOLE TABLE - FRONT VIEW (CUSTOM FEATURE ONLY)**

CUT-OUT	XDIM	YDIM	DESCRIPTION
1	1.500	1.486	GND STUD M6 x 16mm (Inside)
2	106.303	1.486	GND STUD M6 x 16mm (Inside)
3	106.379	17.959	LOCK 880 SCQ4-SL @ 0.0°
4	55.424	17.959	LOCK 880 SCQ4-SL @ 180.0°
5	52.379	17.959	LOCK 880 SCQ4-SL @ 0.0°
6	1.424	17.959	LOCK 880 SCQ4-SL @ 180.0°
7	103.553	34.494	LOCK 880 SCQ4-SL @ 90.0°
8	80.902	34.494	LOCK 880 SCQ4-SL @ 90.0°
9	58.250	34.494	LOCK 880 SCQ4-SL @ 90.0°
10	49.553	34.494	LOCK 880 SCQ4-SL @ 90.0°
11	26.902	34.494	LOCK 880 SCQ4-SL @ 90.0°
12	4.250	34.494	LOCK 880 SCQ4-SL @ 90.0°

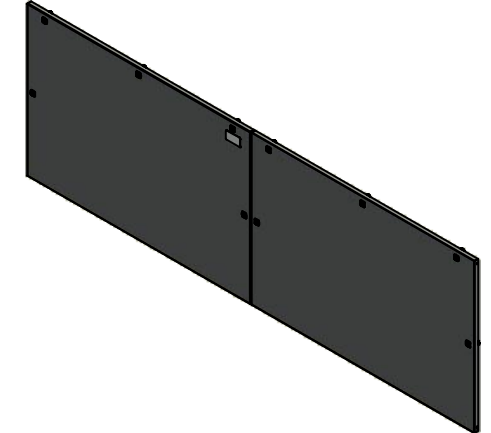


	Description	Status
	1412BT 36" x 108" Cover	(NULL)
	Part Number Numéro Pièce	Rev.
	<b>1412BT091005DTC</b>	<b>0</b>
		13
		18

This drawing is confidential and must not be reproduced or used without the consent of EXM


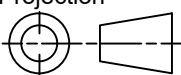
Ce dessin est confidentiel et ne doit pas être reproduit ou utilisé sans le consentement de EXM

No.	Revisions	Date	By/Par



Isometric View

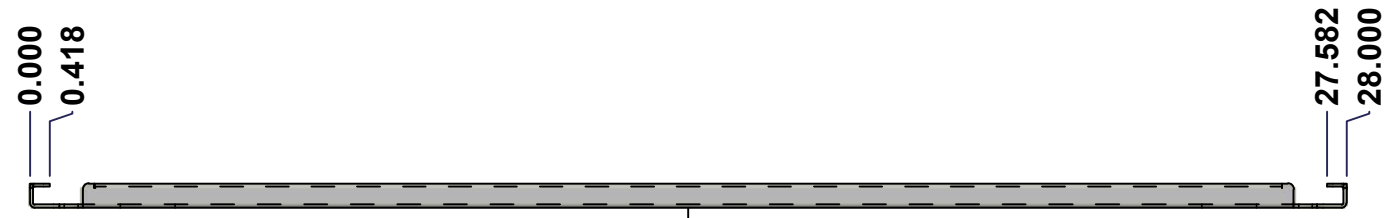


 Tél: (450) 979-4373 Fax: (450) 979-4626 <a href="http://www.exmweb.com">www.exmweb.com</a>	Flatness Aplatissement	Max 3.0mm
	Projection	
Customer Client	Date	
Drawn By Dessiné Par	BoxCad: BoxCad	Date 2022-10-04
Material Matière	14 Ga Cold Rolled A1008 CS Type B (1.7mm)	
Color Couleur	Asa-61 Grey	Finish Fini Smooth
Description	Detail Rev.	
1412BT 36" x 108" Cover		
Part Number Numéro Pièce	Rev. 0	14 / 18
<b>1412BT091005DTC</b>		

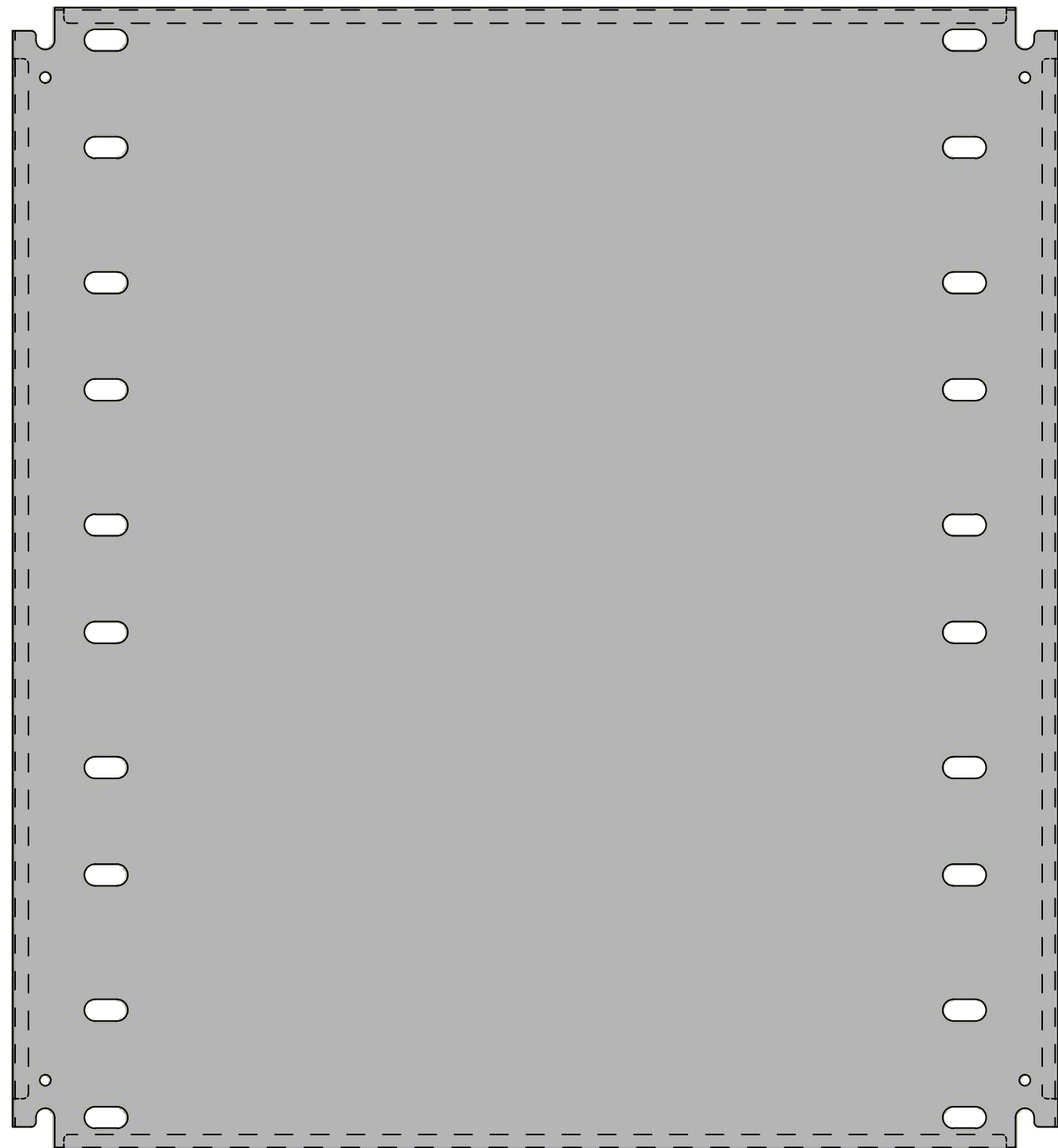
Qty	Part Name	Rev	Description
2	1412BT091005DTG	0	1412BT 36" x 108" Cover Gasket
1	STK-P-02400S	0	Powder Paint (Asa-61 Grey / Smooth)
8	STK-K-09800	10	5412 ES Hinge with 2 Captive Hinge Pins
2	STK-Q-16080	0	Ground Stud M6 x 16mm
1	STK-S-00100	0	3.5" x 2" Silver Milar Flexcon Sticker
1	1412BT091005DTC-P	0	1412BT 36" x 54" Left Cover Part
1	1412BT091005DTF-P	0	1412BT 36" x 108" Right Cover Part
10	880 SCQ4-SL	6	5412 ES 1/4 Turn Lock
Parts List			

This drawing is confidential and must not be reproduced or used without the consent of EXM

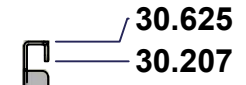
Ce dessin est confidentiel et ne doit pas être reproduit ou utilisé sans le consentement de EXM



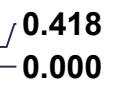
TOP



FRONT

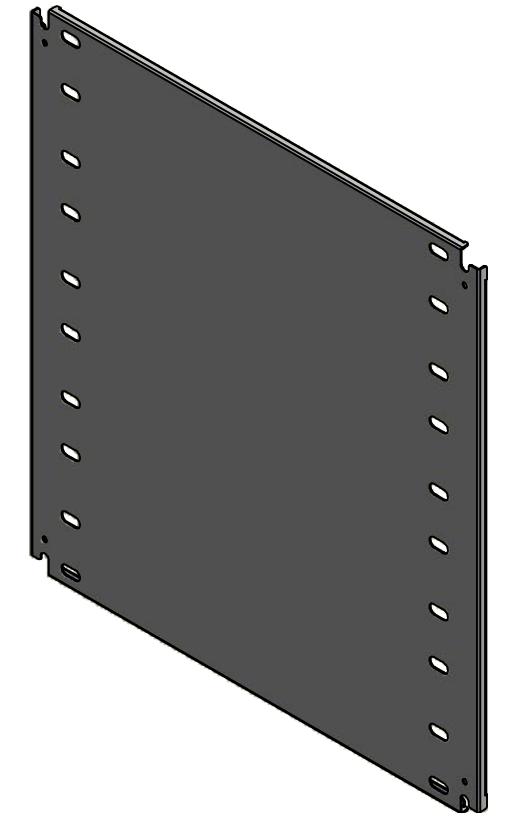


RIGHT

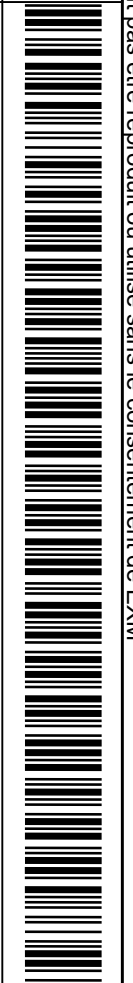



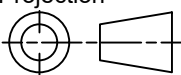
SEE BILL OF MATERIAL ON LAST PAGE

No.	Revisions	Date	By/Par



Isometric View

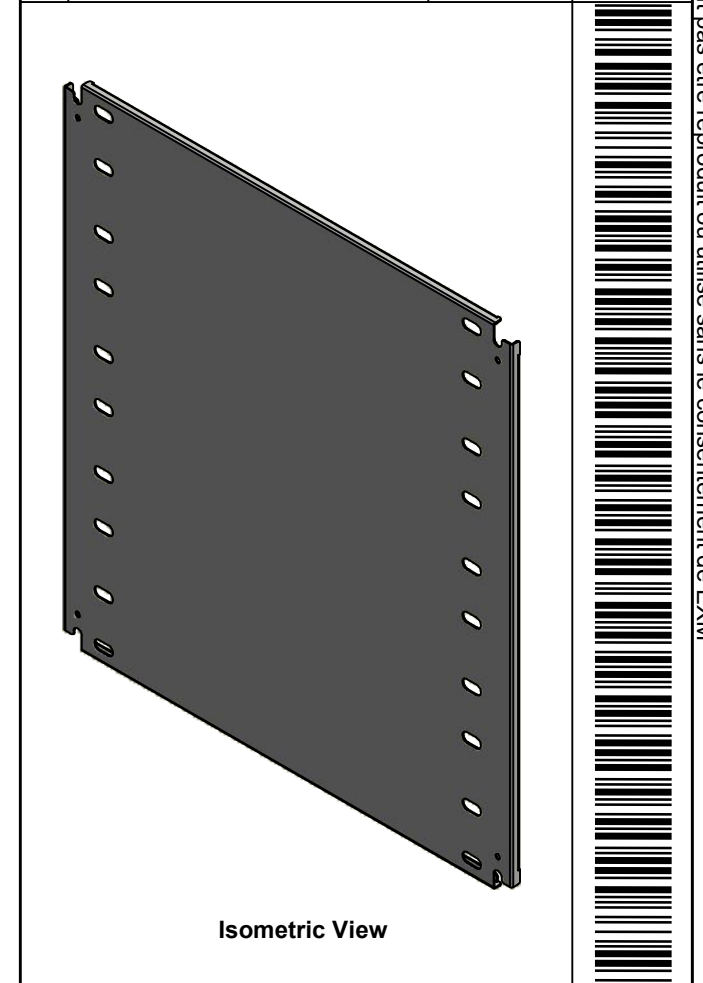



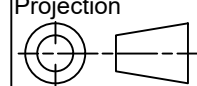
 Tél: (450) 979-4373 Fax: (450) 979-4626 <a href="http://www.exmweb.com">www.exmweb.com</a>	Flatness Aplatissement Max 3.0mm
	Projection 
Customer Client	Date
Drawn By / Dessiné Par: BoxCad: BoxCad	Date: 2022-10-04
Material / Matière: 14 Ga Cold Rolled A1008 CS Type B (1.7mm)	
Color / Couleur: White RAL9003	Finish / Fini: Smooth
Description: 1412BT 30.625" x 28" Left Inner Panel	
Part Number / Numéro Pièce: 1412BT091005DTIP1	Detail Rev. / Rev.:
	15 / 18

This drawing is confidential and must not be reproduced or used without the consent of EXM

Ce dessin est confidentiel et ne doit pas être reproduit ou utilisé sans le consentement de EXM

No.	Revisions	Date	By/Par



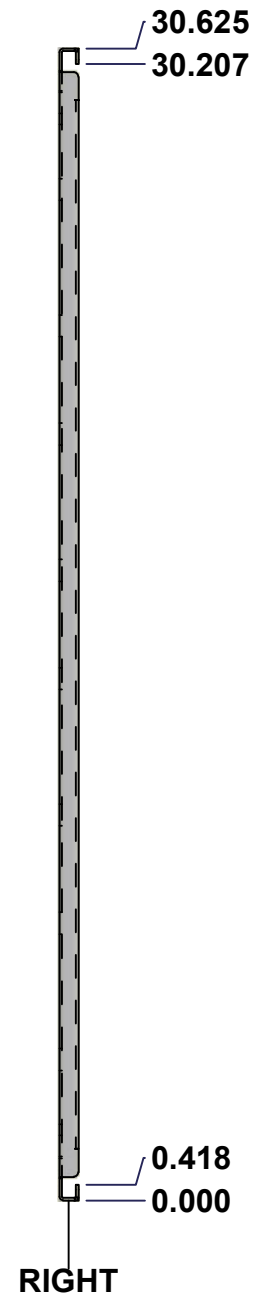
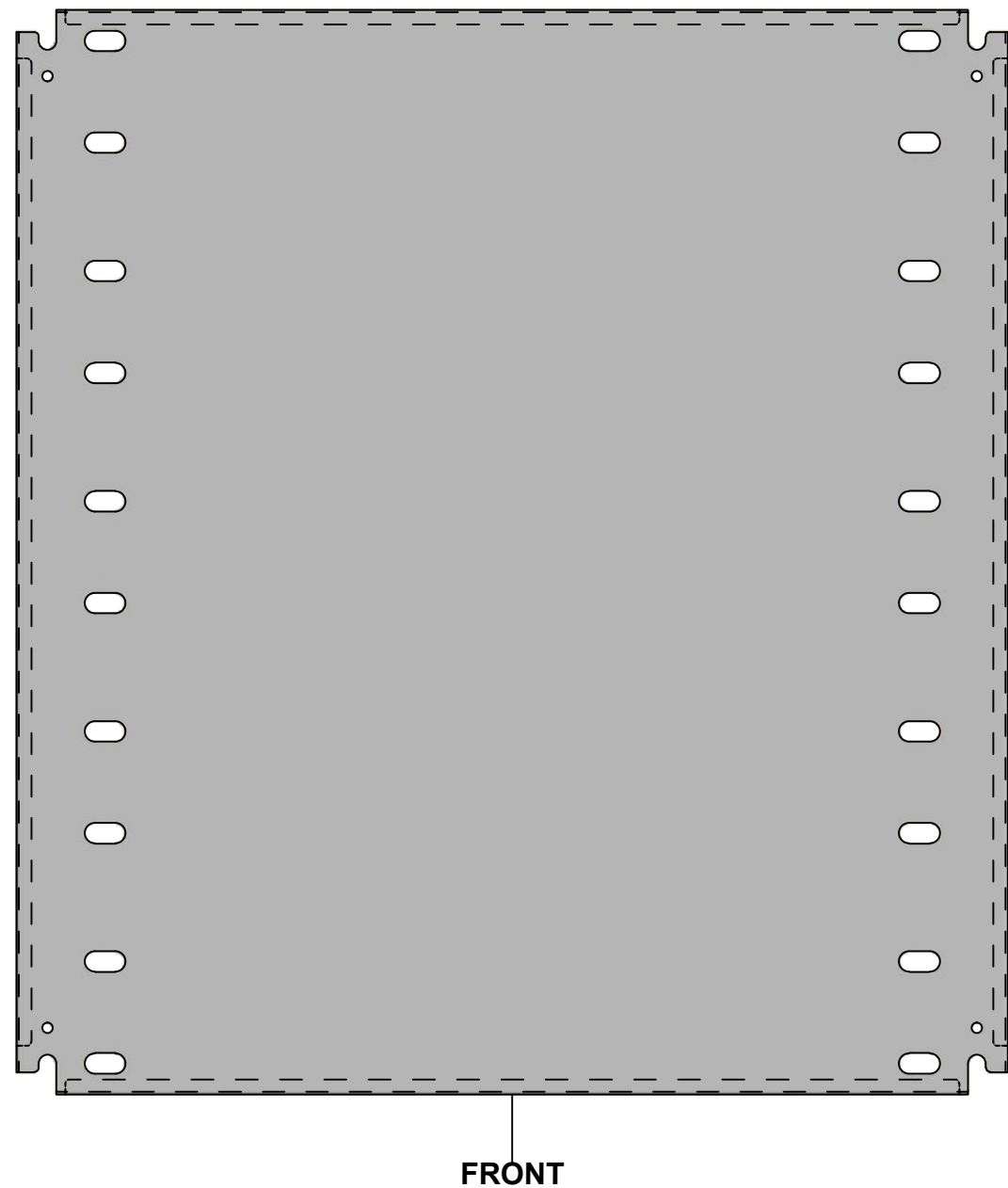
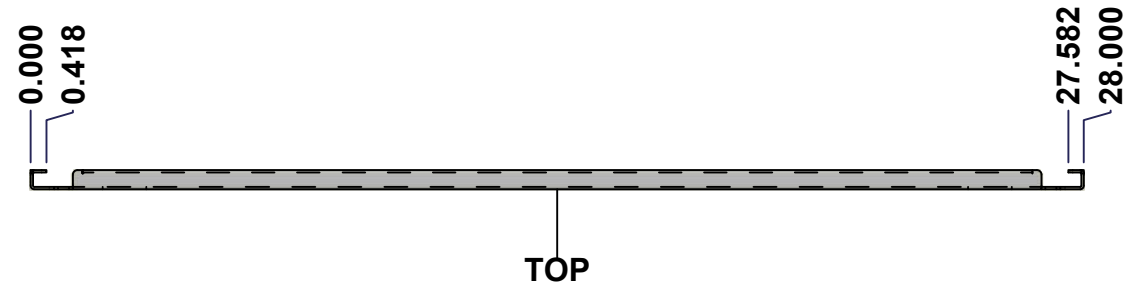
 Tél: (450) 979-4373 Fax: (450) 979-4626 <a href="http://www.exmweb.com">www.exmweb.com</a>		Flatness Aplatissement Max 3.0mm Projection 
Customer Client	Date	
Drawn By Dessiné Par	BoxCad: BoxCad	Date 2022-10-04
Material Matière	14 Ga Cold Rolled A1008 CS Type B (1.7mm)	
Color Couleur	White RAL9003	Finish Fini Smooth
Description		Detail Rev.
1412BT 30.625" x 28" Left Inner Panel		
Part Number Numéro Pièce	Rev.	16
<b>1412BT091005DTIP1</b>	<b>0</b>	18

Qty	Part Number	Rev	Description
1	STK-P-02401S	0	Powder Paint (White / Smooth)
1	1412BT091005DTIP1-P	0	1412BT 30.625" x 108" Left Inner Panel Part
Parts List			



This drawing is confidential and must not be reproduced or used without the consent of EXM

Ce dessin est confidentiel et ne doit pas être reproduit ou utilisé sans le consentement de EXM



No.	Revisions	Date	By/Par

Isometric View

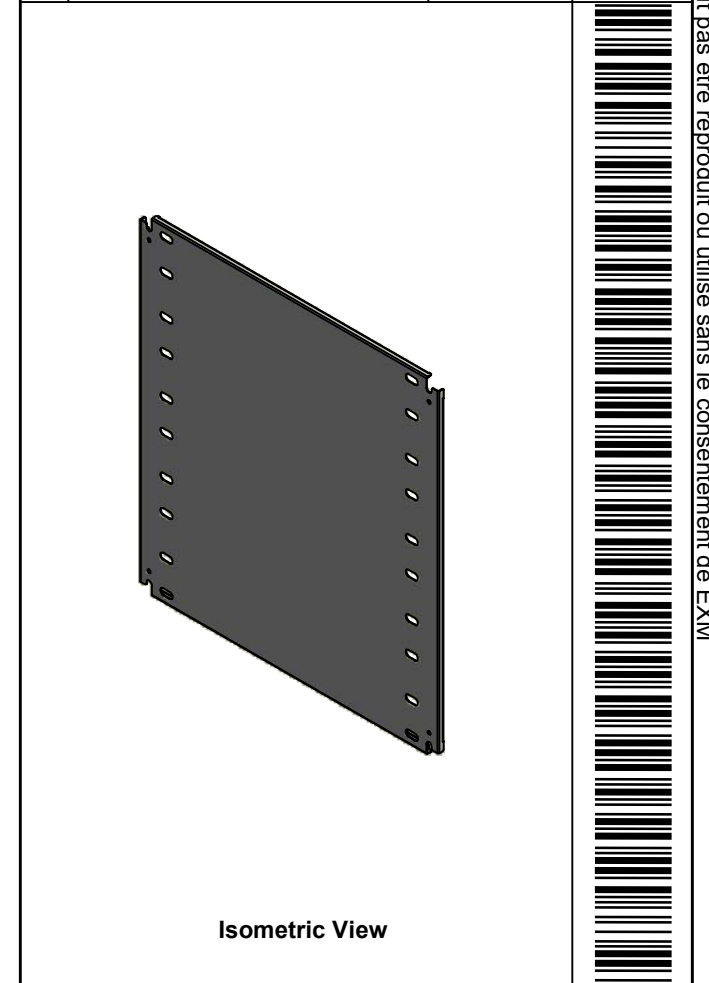
Tél: (450) 979-4373 Fax: (450) 979-4626 <a href="http://www.exmweb.com">www.exmweb.com</a>		Flatness Aplatissement Max 3.0mm Projection 
Customer Client	Date	
Drawn By Dessiné Par	BoxCad: BoxCad	Date 2022-10-04
Material Matière	14 Ga Cold Rolled A1008 CS Type B (1.7mm)	
Color Couleur	White RAL9003	Finish Fini Smooth
Description 1412BT 30.625" x 28" Right Inner Panel		Detail Rev.
Part Number Numéro Pièce	1412BT091005DTIP2	Rev. 17 0 18


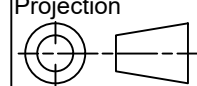
SEE BILL OF MATERIAL ON LAST PAGE

This drawing is confidential and must not be reproduced or used without the consent of EXM

Ce dessin est confidentiel et ne doit pas être reproduit ou utilisé sans le consentement de EXM

No.	Revisions	Date	By/Par



 Tél: (450) 979-4373 Fax: (450) 979-4626 <a href="http://www.exmweb.com">www.exmweb.com</a>		Flatness Aplatissement Max 3.0mm
Customer Client		Projection 
Drawn By Dessiné Par BoxCad: BoxCad		Date 2022-10-04
Material Matière 14 Ga Cold Rolled A1008 CS Type B (1.7mm)		
Color Couleur White RAL9003	Finish Fini Smooth	
Description 1412BT 30.625" x 28" Right Inner Panel		Detail Rev.
Part Number Numéro Pièce <b>1412BT091005DTIP2</b>		Rev. <b>0</b> / 18

Qty	Part Number	Rev	Description
1	STK-P-02401S	0	Powder Paint (White / Smooth)
1	1412BT091005DTIP2-P	0	1412BT 30.625" x 108" Right Inner Panel Part
Parts List			