

This drawing is confidential and must not be reproduced or used without the consent of EXM

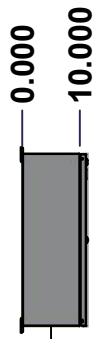
Ce dessin est confidentiel et ne doit pas être reproduit ou utilisé sans le consentement de EXM



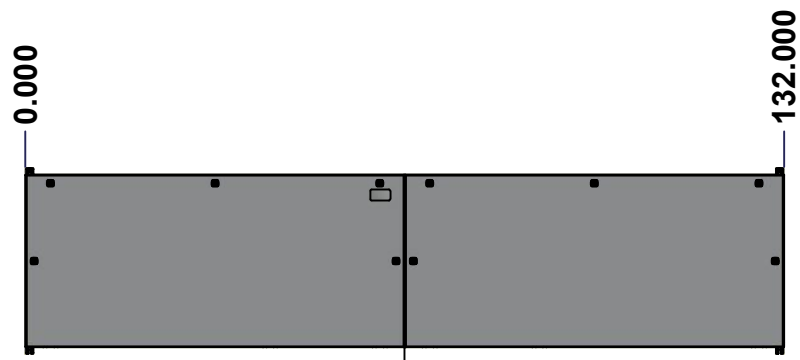
TOP



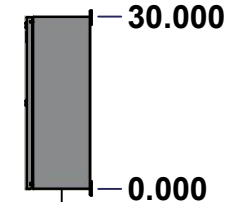
LEFT



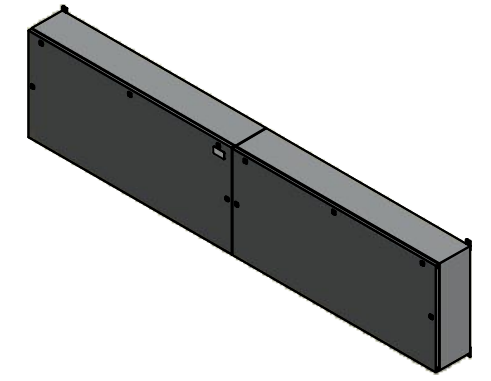
LEFT



FRONT



RIGHT

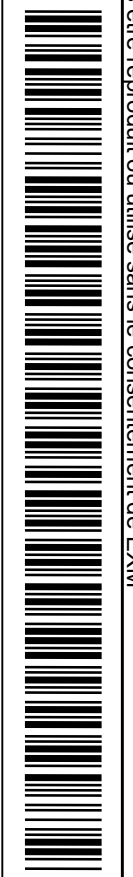



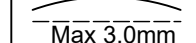
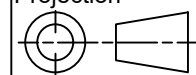
Isometric View



BOTTOM

| No. | Revisions | Date | By/Par |
|-----|-----------|------|--------|
|     |           |      |        |
|     |           |      |        |
|     |           |      |        |
|     |           |      |        |



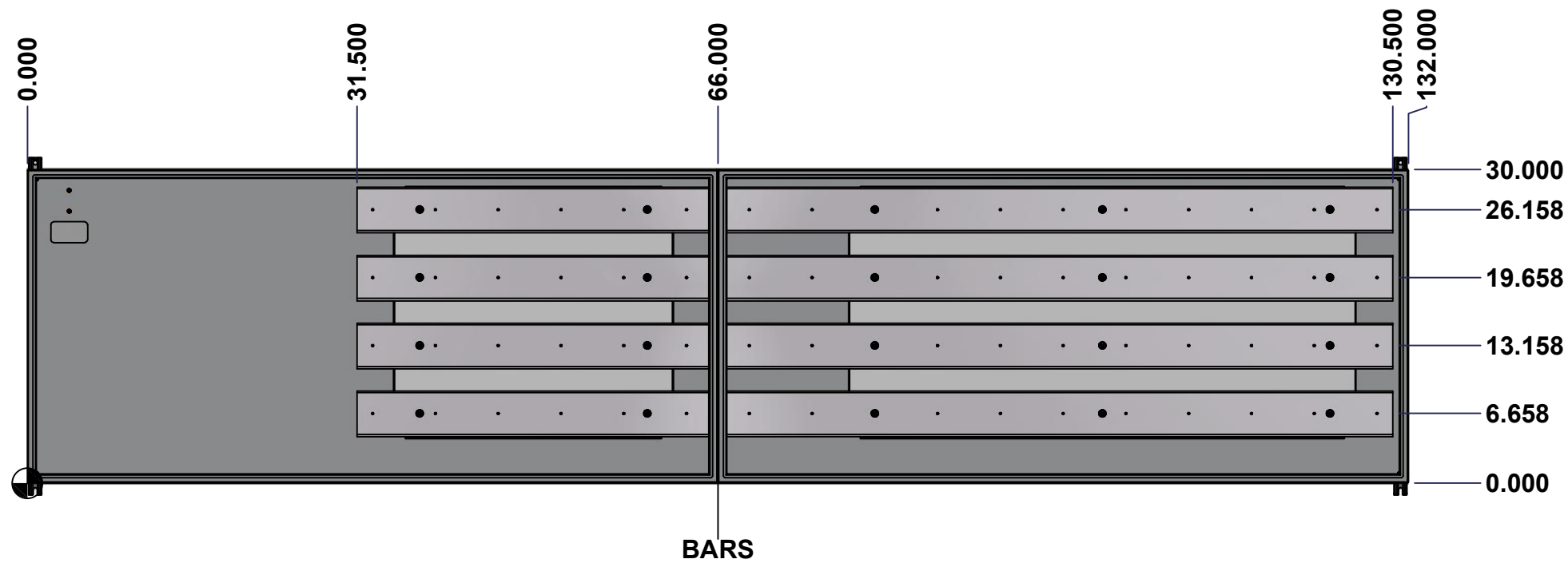
|  |   |   |
|--|---|---|
|  Tél: (450) 979-4373<br>Fax: (450) 979-4626<br><a href="http://www.exmweb.com">www.exmweb.com</a> |   | Flatness<br>Aplatissement<br> Max 3.0mm<br>Projection<br> |
| Customer Client  | Date                                      |   |
| Drawn By<br>Dessiné Par  | BoxCad: BoxCad                            | Date 10/4/2022  |
| Material<br>Matière  | 14 Ga Cold Rolled A1008 CS Type B (1.7mm) |   |
| Color<br>Couleur   | Asa-61 Grey                               | Finish<br>Fini Smooth   |
| Description  | Detail Rev.                               |   |
| 1412BT 1000A - 4Wires x 132" Assembly  |   |   |
| Part Number<br>Numéro Pièce  | Rev.                                      | 1   |
| 1412BT111004DT   | 0   | 17  |

SEE BILL OF MATERIAL ON LAST PAGE

This drawing is confidential and must not be reproduced or used without the consent of Eurobox

Ce dessin est confidentiel et ne doit pas être reproduit ou utilisé sans le consentement de Eurobox

**STANDARD FEATURES ARE NOT LISTED IN THIS HOLE TABLE**



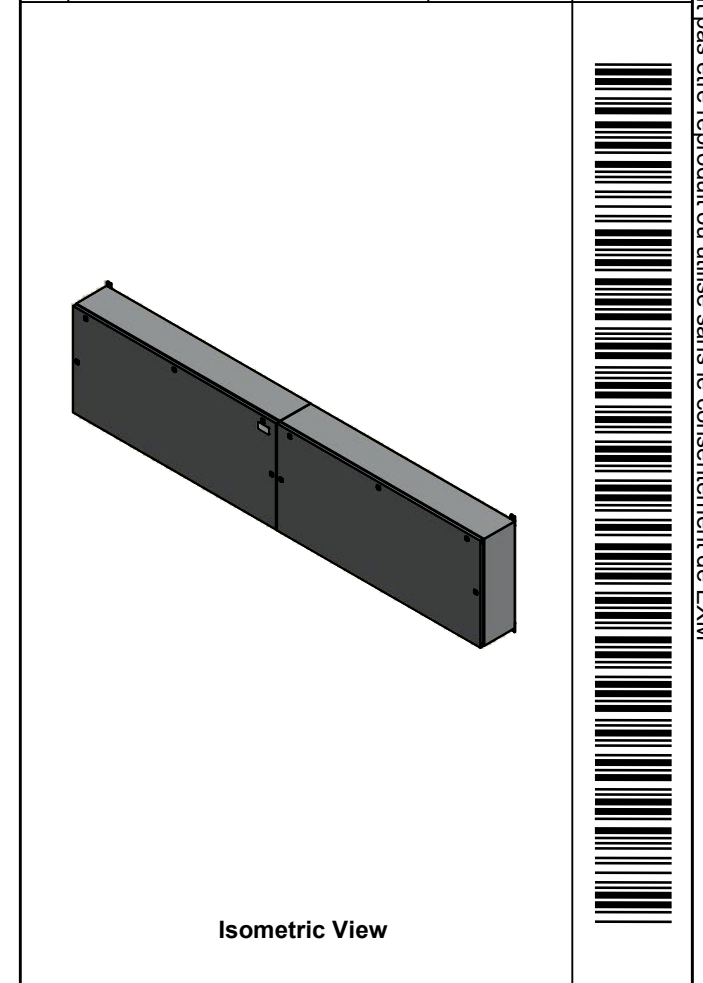
|  |                                       |          |
|--|---------------------------------------|----------|
|  | Description                           | Status   |
|  | 1412BT 1000A - 4Wires x 132" Assembly | (NULL)   |
|  | Part Number<br>Numéro Pièce           | Rev.     |
|  | <b>1412BT111004DT</b>                 | <b>0</b> |
|  |                                       | 2        |
|  |                                       | 17       |

This drawing is confidential and must not be reproduced or used without the consent of EXM

Ce dessin est confidentiel et ne doit pas être reproduit ou utilisé sans le consentement de EXM


| NOTE |  |
|------|--|
| ITEM | DESCRIPTION                                |
| 1    | NEMA 4/12 Enclosure                        |
| 2    | C/W Standard ground studs on box and cover |
| 3    | W/O Standard door stiffener                |
| 4    | C/W Special inner panel (Sold separately)  |
| 5    | C/W Standard inner panel mounting studs    |

| No. | Revisions | Date | By/Par |
|-----|-----------|------|--------|
|     |           |      |        |
|     |           |      |        |
|     |           |      |        |
|     |           |      |        |
|     |           |      |        |



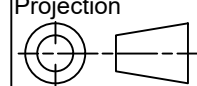
| PACKING               |     |  |
|-----------------------|-----|--|
| ITEM                  | QTY | DESCRIPTION                                    |
| Cardboard sleeve      | 2   | Top and Bottom                                 |
| Cardboard strip       | 2   | Between back of enclosure and inner panel      |
| Plastic bag           | 1   | To protect cover surface and inside gasket     |
| Cardboard corner      | 4   | To reinforced for the plastic strap tightening |
| Plastic strap - Black | 2   | To Squeeze 2 cardboard sleeve together         |
| Packaging label       | 3   | White label with PN                            |
| Plastic strap- Green  | 2   | To secure the enclosure to the wood pallet     |
| Wood Pallet           | 1   | 2" deeper and 3" larger than enclosure size    |

|            |                      |     |  |
|------------|----------------------|-----|--|
| 1          | 885 ESMF1            | 0   | 885 ESMF1 Mounting Feet Kit                            |
| 1          | 1412BT111004DTIP2    | 0   | 1412BT 24.125" x 48.5" Right Inner Panel               |
| 1          | 1412BT111004DTBAR1-P | 0   | Rounded Edge Aluminum Bar 3/8" x 4 1/2"                |
| 1          | 1412BT111004DTBAR2-P | 0   | Rounded Edge Aluminum Bar 3/8" x 4 1/2"                |
| 1          | 1412BT111004DTBAR3-P | 0   | Rounded Edge Aluminum Bar 3/8" x 4 1/2"                |
| 1          | 1412BT111004DTBAR4-P | 0   | Rounded Edge Aluminum Bar 3/8" x 4 1/2"                |
| 1          | 1412BT111004DTIP1    | 0   | 1412BT 24.125" x 26.75" Left Inner Panel               |
| 20         | STK-A-67400          | 0   | Buss Bar Insulator Kit                                 |
| 1          | STK-K-01800          | 5   | 5412 ES Accessory Kit                                  |
| 8          | STK-Q-04050-07       | 7   | M6 x 7mm Hexagon Socket Head Machine Screw with Nyseal |
| 30         | STK-Q-07310          | 2   | Flange Lock Nut M8                                     |
| 10         | STK-Q-07610          | 8   | M8 Plastic Spacer 22.2mm                               |
| 1          | 1412BT111004DTB      | 0   | 1412BT 30" x 132" x 10" Body                           |
| 1          | 1412BT111004DTC      | 0   | 1412BT 30" x 132" Cover                                |
| Qty        | Part Number          | Rev | Description  |
| Parts List |                      |     |  |



Tél: (450) 979-4373  
Fax: (450) 979-4626  
[www.exmweb.com](http://www.exmweb.com)

Flatness  
Aplatissement  
Max 3.0mm

Projection  


|   |                       |
|---|-----------------------|
| Customer Client   | Date                  |
| Drawn By<br>Dessiné Par BoxCad: BoxCad                        | Date 10/4/2022        |
| Material<br>Matière 14 Ga Cold Rolled A1008 CS Type B (1.7mm) |                       |
| Color<br>Couleur Asa-61 Grey                                  | Finish<br>Fini Smooth |
| Description<br>1412BT 1000A - 4Wires x 132" Assembly          | Detail Rev.           |
| Part Number<br>Numéro Pièce<br><b>1412BT111004DT</b>          | Rev. 3<br><b>0</b>    |

This drawing is confidential and must not be reproduced or used without the consent of EXM

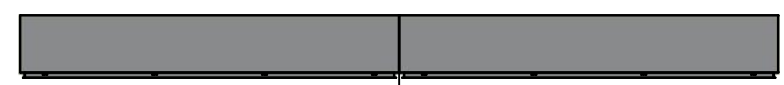
Ce dessin est confidentiel et ne doit pas être reproduit ou utilisé sans le consentement de EXM



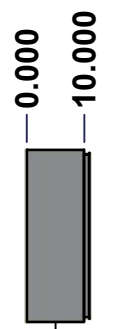
TOP



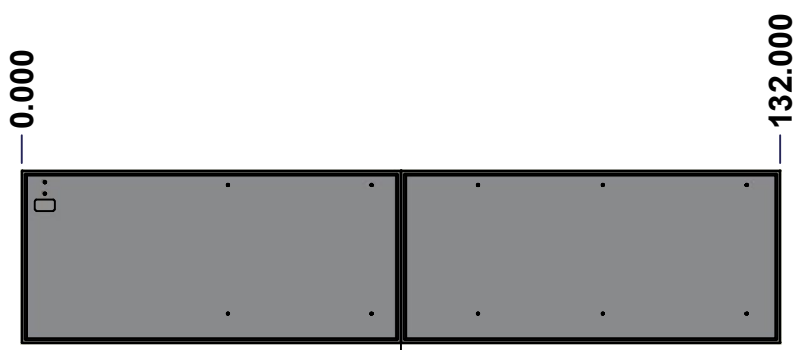
BACK



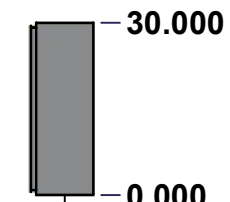
BOTTOM



LEFT

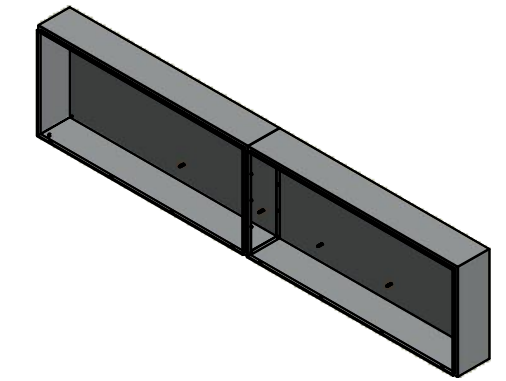


FRONT



RIGHT

| No. | Revisions | Date | By/Par |
|-----|-----------|------|--------|
|     |           |      |        |
|     |           |      |        |
|     |           |      |        |
|     |           |      |        |
|     |           |      |        |



Isometric View



Tél: (450) 979-4373  
 Fax: (450) 979-4626  
[www.exmweb.com](http://www.exmweb.com)

Flatness  
Aplatissement  
Max 3.0mm  
Projection

|   |                       |
|---|-----------------------|
| Customer Client   | Date                  |
| Drawn By<br>Dessiné Par BoxCad: BoxCad                        | Date 10/4/2022        |
| Material<br>Matière 14 Ga Cold Rolled A1008 CS Type B (1.7mm) |                       |
| Color<br>Couleur Asa-61 Grey                                  | Finish<br>Fini Smooth |
| Description<br>1412BT 30" x 132" x 10" Body                   | Detail Rev.           |
| Part Number<br>Numéro Pièce <b>1412BT111004DTB</b>            | Rev. <b>0</b>         |

SEE BILL OF MATERIAL ON LAST PAGE

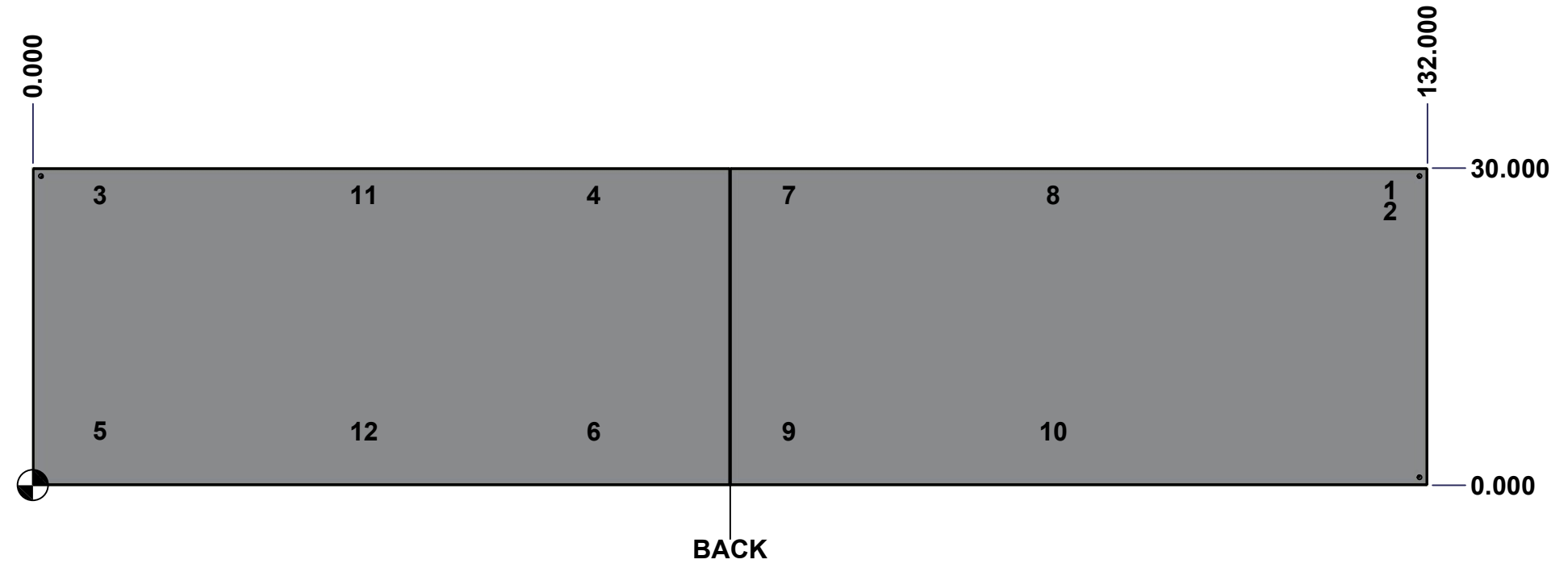
This drawing is confidential and must not be reproduced or used without the consent of Eurobox

Ce dessin est confidentiel et ne doit pas être reproduit ou utilisé sans le consentement de Eurobox

**STANDARD FEATURES ARE NOT LISTED IN THIS HOLE TABLE**

**HOLE TABLE - BACK VIEW (CUSTOM FEATURE ONLY)**

| CUT-OUT | XDIM    | YDIM   | DESCRIPTION                 |
|---------|---------|--------|-----------------------------|
| 1       | 128.000 | 28.000 | GND STUD M8 x 35mm (Inside) |
| 2       | 128.000 | 26.000 | GND STUD M8 x 35mm (Inside) |
| 3       | 5.875   | 27.500 | IP STUD M8 x 35mm (Inside)  |
| 4       | 52.625  | 27.500 | IP STUD M8 x 35mm (Inside)  |
| 5       | 5.875   | 5.125  | IP STUD M8 x 35mm (Inside)  |
| 6       | 52.625  | 5.125  | IP STUD M8 x 35mm (Inside)  |
| 7       | 71.125  | 27.500 | IP STUD M8 x 35mm (Inside)  |
| 8       | 96.125  | 27.500 | IP STUD M8 x 35mm (Inside)  |
| 9       | 71.125  | 5.125  | IP STUD M8 x 35mm (Inside)  |
| 10      | 96.125  | 5.125  | IP STUD M8 x 35mm (Inside)  |
| 11      | 30.875  | 27.500 | IP STUD M8 x 35mm (Inside)  |
| 12      | 30.875  | 5.125  | IP STUD M8 x 35mm (Inside)  |

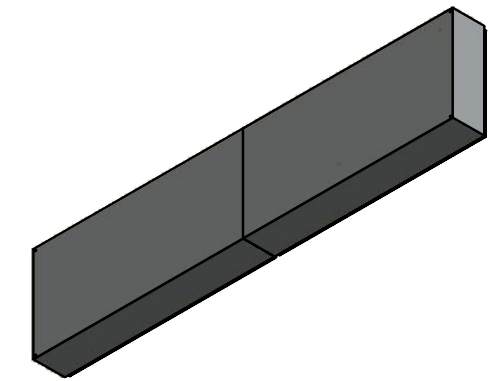


|  |                              |              |
|--|------------------------------|--------------|
|  | Description                  | Status       |
|  | 1412BT 30" x 132" x 10" Body | (NULL)       |
|  | Part Number<br>Numéro Pièce  | Rev.         |
|  | <b>1412BT111004DTB</b>       | <b>0</b> / 5 |
|  |                              | 17           |

This drawing is confidential and must not be reproduced or used without the consent of EXM

Ce dessin est confidentiel et ne doit pas être reproduit ou utilisé sans le consentement de EXM

| No. | Revisions | Date | By/Par |
|-----|-----------|------|--------|
|     |           |      |        |
|     |           |      |        |
|     |           |      |        |
|     |           |      |        |
|     |           |      |        |



Isometric View




 Tél: (450) 979-4373  
 Fax: (450) 979-4626  
[www.exmweb.com](http://www.exmweb.com)

Flatness / Aplatissement: Max 3.0mm  
 Projection: 

|   |                 |
|---|-----------------|
| Customer / Client   | Date            |
| Drawn By / Dessiné Par: BoxCad: BoxCad                        | Date: 10/4/2022 |
| Material / Matière: 14 Ga Cold Rolled A1008 CS Type B (1.7mm) |                 |

|   |                       |
|---|-----------------------|
| Color / Couleur: Asa-61 Grey              | Finish / Fini: Smooth |
| Description: 1412BT 30" x 132" x 10" Body | Detail Rev.           |

| Qty | Part Number       | Rev | Description                             |
|-----|-------------------|-----|---|
| 1   | STK-P-02400S      | 0   | Powder Paint (Asa-61 Grey / Smooth)     |
| 1   | 1412BT111004DTB-P | 0   | 1412BT 30" x 132" x 10" Left Body Part  |
| 1   | 1412BT111004DTE-P | 0   | 1412BT 30" x 132" x 10" Right Body Part |
| 1   | STK-G-00701       | 0   | 1" x 1/4" Self-Adhesive Neoprene Gasket |
| 10  | STK-Q-00260       | 1   | M6 x 13mm Carriage Bolt                 |
| 10  | STK-Q-07220       | 1   | M6 Nylon Insert Lock Nut                |
| 12  | STK-Q-16005       | 1   | Stud M8 x 35 (No Paint Cap Required)    |
| 2   | STK-Q-16080       | 0   | Ground Stud M6 x 16mm                   |
| 1   | STK-S-00100       | 0   | 3.5" x 2" Silver Milar Flexcon Sticker  |

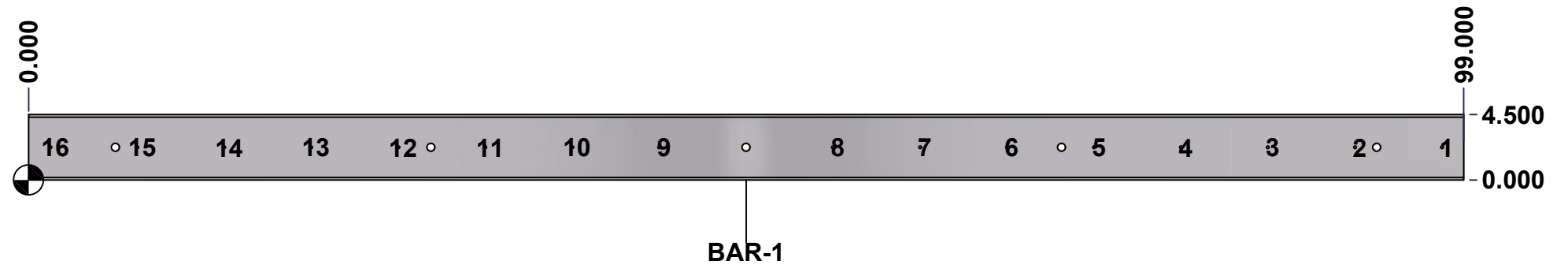
|  |               |        |
|--|---------------|--------|
| Part Number / Numéro Pièce: <b>1412BT111004DTB</b> | Rev. <b>0</b> | 6 / 17 |
|--|---------------|--------|

Parts List

This drawing is confidential and must not be reproduced or used without the consent of Eurobex

Ce dessin est confidentiel et ne doit pas être reproduit ou utilisé sans le consentement de Eurobex

| STANDARD FEATURES ARE NOT LISTED IN THIS HOLE TABLE |        |       |                              |
|---|--------|-------|------------------------------|
| HOLE TABLE - FRONT VIEW (CUSTOM FEATURE ONLY)       |        |       |                              |
| CUT-OUT   | XDIM   | YDIM  | DESCRIPTION                  |
| 1   | 97.500 | 2.250 | RND Ø0.201 THREAD 1/4-20 UNC |
| 2   | 91.500 | 2.250 | RND Ø0.201 THREAD 1/4-20 UNC |
| 3   | 85.500 | 2.250 | RND Ø0.201 THREAD 1/4-20 UNC |
| 4   | 79.500 | 2.250 | RND Ø0.201 THREAD 1/4-20 UNC |
| 5   | 73.500 | 2.250 | RND Ø0.201 THREAD 1/4-20 UNC |
| 6   | 67.500 | 2.250 | RND Ø0.201 THREAD 1/4-20 UNC |
| 7   | 61.500 | 2.250 | RND Ø0.201 THREAD 1/4-20 UNC |
| 8   | 55.500 | 2.250 | RND Ø0.201 THREAD 1/4-20 UNC |
| 9   | 43.500 | 2.250 | RND Ø0.201 THREAD 1/4-20 UNC |
| 10  | 37.500 | 2.250 | RND Ø0.201 THREAD 1/4-20 UNC |
| 11  | 31.500 | 2.250 | RND Ø0.201 THREAD 1/4-20 UNC |
| 12  | 25.500 | 2.250 | RND Ø0.201 THREAD 1/4-20 UNC |
| 13  | 19.500 | 2.250 | RND Ø0.201 THREAD 1/4-20 UNC |
| 14  | 13.500 | 2.250 | RND Ø0.201 THREAD 1/4-20 UNC |
| 15  | 7.500  | 2.250 | RND Ø0.201 THREAD 1/4-20 UNC |
| 16  | 1.500  | 2.250 | RND Ø0.201 THREAD 1/4-20 UNC |

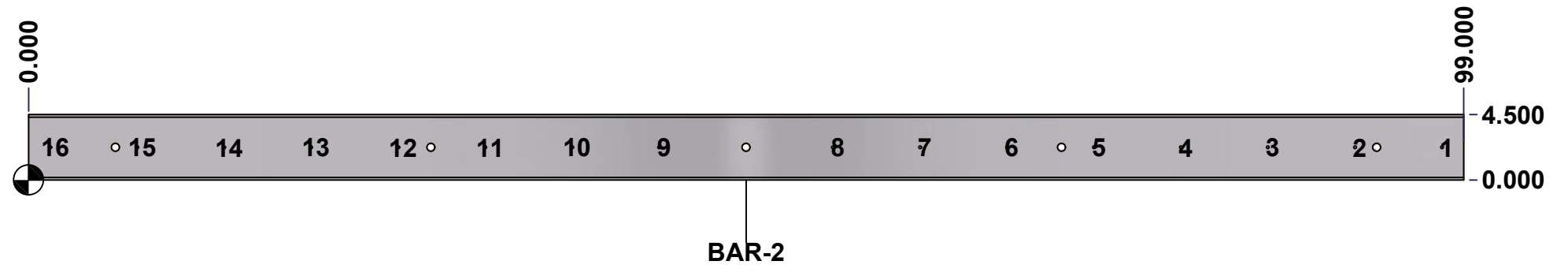


|  |   |              |
|--|---|--------------|
|  | Description                             | Status       |
|  | Rounded Edge Aluminum Bar 3/8" x 4 1/2" | (NULL)       |
|  | Part Number<br>Numéro Pièce             | Rev.         |
|  | <b>1412BT111004DTBAR1-P</b>             | <b>0</b> / 7 |
|  |   | 17           |

This drawing is confidential and must not be reproduced or used without the consent of Eurobex

Ce dessin est confidentiel et ne doit pas être reproduit ou utilisé sans le consentement de Eurobex

| STANDARD FEATURES ARE NOT LISTED IN THIS HOLE TABLE |        |       |                              |
|---|--------|-------|------------------------------|
| HOLE TABLE - FRONT VIEW (CUSTOM FEATURE ONLY)       |        |       |                              |
| CUT-OUT   | XDIM   | YDIM  | DESCRIPTION                  |
| 1   | 97.500 | 2.250 | RND Ø0.201 THREAD 1/4-20 UNC |
| 2   | 91.500 | 2.250 | RND Ø0.201 THREAD 1/4-20 UNC |
| 3   | 85.500 | 2.250 | RND Ø0.201 THREAD 1/4-20 UNC |
| 4   | 79.500 | 2.250 | RND Ø0.201 THREAD 1/4-20 UNC |
| 5   | 73.500 | 2.250 | RND Ø0.201 THREAD 1/4-20 UNC |
| 6   | 67.500 | 2.250 | RND Ø0.201 THREAD 1/4-20 UNC |
| 7   | 61.500 | 2.250 | RND Ø0.201 THREAD 1/4-20 UNC |
| 8   | 55.500 | 2.250 | RND Ø0.201 THREAD 1/4-20 UNC |
| 9   | 43.500 | 2.250 | RND Ø0.201 THREAD 1/4-20 UNC |
| 10  | 37.500 | 2.250 | RND Ø0.201 THREAD 1/4-20 UNC |
| 11  | 31.500 | 2.250 | RND Ø0.201 THREAD 1/4-20 UNC |
| 12  | 25.500 | 2.250 | RND Ø0.201 THREAD 1/4-20 UNC |
| 13  | 19.500 | 2.250 | RND Ø0.201 THREAD 1/4-20 UNC |
| 14  | 13.500 | 2.250 | RND Ø0.201 THREAD 1/4-20 UNC |
| 15  | 7.500  | 2.250 | RND Ø0.201 THREAD 1/4-20 UNC |
| 16  | 1.500  | 2.250 | RND Ø0.201 THREAD 1/4-20 UNC |



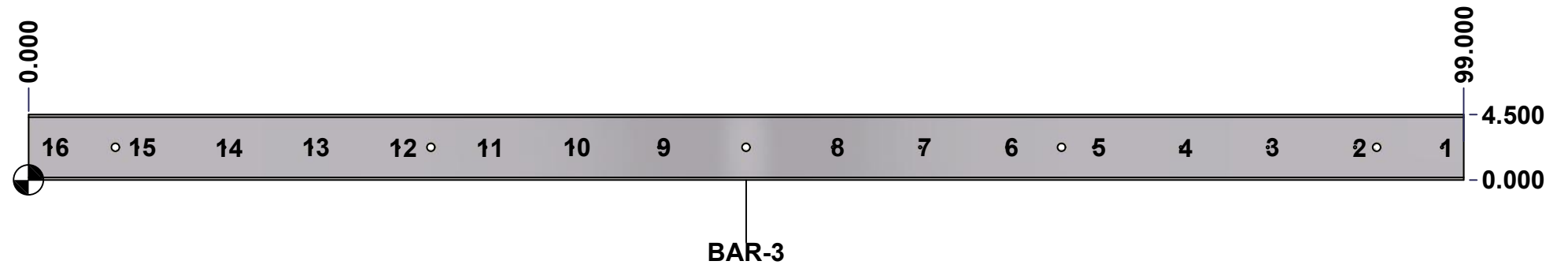
|  |   |              |
|--|---|--------------|
|  | Description                             | Status       |
|  | Rounded Edge Aluminum Bar 3/8" x 4 1/2" | (NULL)       |
|  | Part Number<br>Numéro Pièce             | Rev.         |
|  | <b>1412BT111004DTBAR2-P</b>             | <b>0</b> / 8 |
|  |   | 17           |



This drawing is confidential and must not be reproduced or used without the consent of Eurobex

Ce dessin est confidentiel et ne doit pas être reproduit ou utilisé sans le consentement de Eurobex

| STANDARD FEATURES ARE NOT LISTED IN THIS HOLE TABLE |        |       |                              |
|---|--------|-------|------------------------------|
| HOLE TABLE - FRONT VIEW (CUSTOM FEATURE ONLY)       |        |       |                              |
| CUT-OUT   | XDIM   | YDIM  | DESCRIPTION                  |
| 1   | 97.500 | 2.250 | RND Ø0.201 THREAD 1/4-20 UNC |
| 2   | 91.500 | 2.250 | RND Ø0.201 THREAD 1/4-20 UNC |
| 3   | 85.500 | 2.250 | RND Ø0.201 THREAD 1/4-20 UNC |
| 4   | 79.500 | 2.250 | RND Ø0.201 THREAD 1/4-20 UNC |
| 5   | 73.500 | 2.250 | RND Ø0.201 THREAD 1/4-20 UNC |
| 6   | 67.500 | 2.250 | RND Ø0.201 THREAD 1/4-20 UNC |
| 7   | 61.500 | 2.250 | RND Ø0.201 THREAD 1/4-20 UNC |
| 8   | 55.500 | 2.250 | RND Ø0.201 THREAD 1/4-20 UNC |
| 9   | 43.500 | 2.250 | RND Ø0.201 THREAD 1/4-20 UNC |
| 10  | 37.500 | 2.250 | RND Ø0.201 THREAD 1/4-20 UNC |
| 11  | 31.500 | 2.250 | RND Ø0.201 THREAD 1/4-20 UNC |
| 12  | 25.500 | 2.250 | RND Ø0.201 THREAD 1/4-20 UNC |
| 13  | 19.500 | 2.250 | RND Ø0.201 THREAD 1/4-20 UNC |
| 14  | 13.500 | 2.250 | RND Ø0.201 THREAD 1/4-20 UNC |
| 15  | 7.500  | 2.250 | RND Ø0.201 THREAD 1/4-20 UNC |
| 16  | 1.500  | 2.250 | RND Ø0.201 THREAD 1/4-20 UNC |

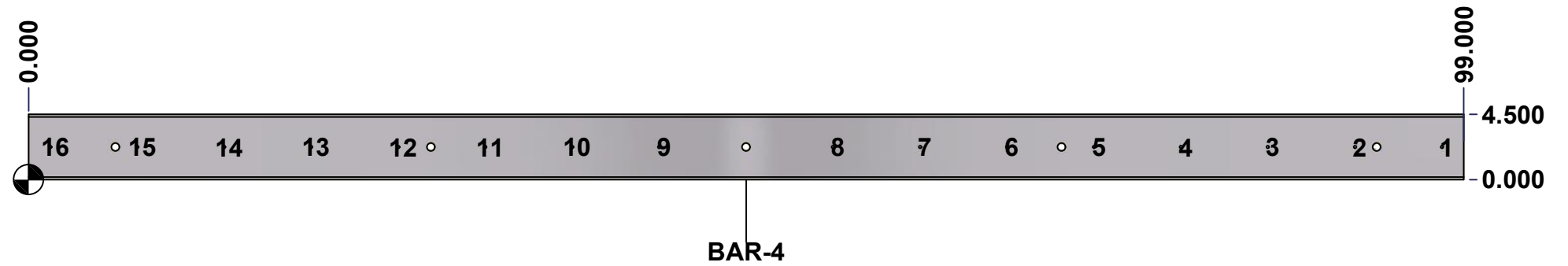


|  |   |              |
|--|---|--------------|
|  | Description                             | Status       |
|  | Rounded Edge Aluminum Bar 3/8" x 4 1/2" | (NULL)       |
|  | Part Number<br>Numéro Pièce             | Rev.         |
|  | <b>1412BT111004DTBAR3-P</b>             | <b>0</b> / 9 |
|  |   | 17           |

This drawing is confidential and must not be reproduced or used without the consent of Eurobex

Ce dessin est confidentiel et ne doit pas être reproduit ou utilisé sans le consentement de Eurobex

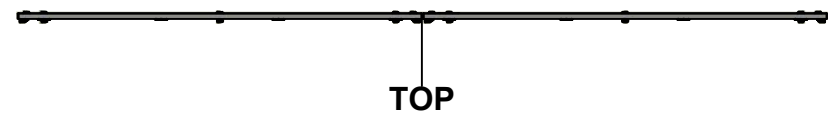
| STANDARD FEATURES ARE NOT LISTED IN THIS HOLE TABLE |        |       |                              |
|---|--------|-------|------------------------------|
| HOLE TABLE - FRONT VIEW (CUSTOM FEATURE ONLY)       |        |       |                              |
| CUT-OUT   | XDIM   | YDIM  | DESCRIPTION                  |
| 1   | 97.500 | 2.250 | RND Ø0.201 THREAD 1/4-20 UNC |
| 2   | 91.500 | 2.250 | RND Ø0.201 THREAD 1/4-20 UNC |
| 3   | 85.500 | 2.250 | RND Ø0.201 THREAD 1/4-20 UNC |
| 4   | 79.500 | 2.250 | RND Ø0.201 THREAD 1/4-20 UNC |
| 5   | 73.500 | 2.250 | RND Ø0.201 THREAD 1/4-20 UNC |
| 6   | 67.500 | 2.250 | RND Ø0.201 THREAD 1/4-20 UNC |
| 7   | 61.500 | 2.250 | RND Ø0.201 THREAD 1/4-20 UNC |
| 8   | 55.500 | 2.250 | RND Ø0.201 THREAD 1/4-20 UNC |
| 9   | 43.500 | 2.250 | RND Ø0.201 THREAD 1/4-20 UNC |
| 10  | 37.500 | 2.250 | RND Ø0.201 THREAD 1/4-20 UNC |
| 11  | 31.500 | 2.250 | RND Ø0.201 THREAD 1/4-20 UNC |
| 12  | 25.500 | 2.250 | RND Ø0.201 THREAD 1/4-20 UNC |
| 13  | 19.500 | 2.250 | RND Ø0.201 THREAD 1/4-20 UNC |
| 14  | 13.500 | 2.250 | RND Ø0.201 THREAD 1/4-20 UNC |
| 15  | 7.500  | 2.250 | RND Ø0.201 THREAD 1/4-20 UNC |
| 16  | 1.500  | 2.250 | RND Ø0.201 THREAD 1/4-20 UNC |



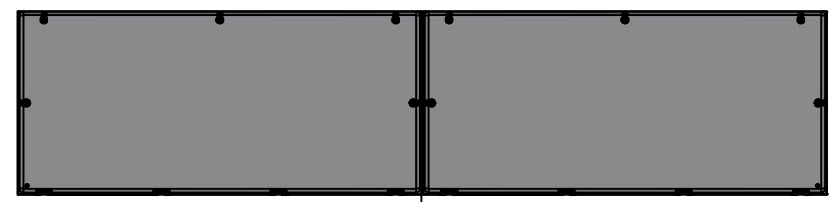
|  |   |          |
|--|---|----------|
|  | Description                             | Status   |
|  | Rounded Edge Aluminum Bar 3/8" x 4 1/2" | (NULL)   |
|  | Part Number<br>Numéro Pièce             | Rev.     |
|  | <b>1412BT111004DTBAR4-P</b>             | <b>0</b> |
|  |   | 10       |
|  |   | 17       |

This drawing is confidential and must not be reproduced or used without the consent of EXM

Ce dessin est confidentiel et ne doit pas être reproduit ou utilisé sans le consentement de EXM



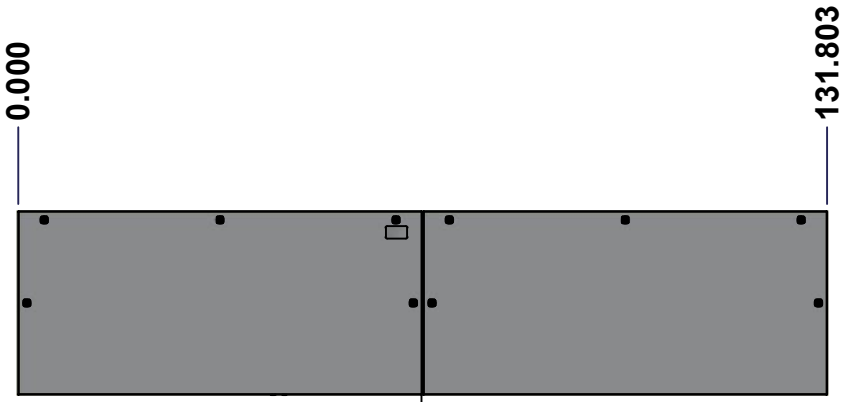
TOP



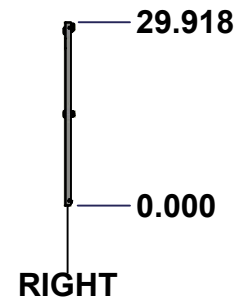
BACK



LEFT



FRONT



RIGHT



BOTTOM

| No. | Revisions | Date | By/Par |
|-----|-----------|------|--------|
|     |           |      |        |
|     |           |      |        |
|     |           |      |        |
|     |           |      |        |
|     |           |      |        |

**Isometric View**

|  |   |                           |
|--|---|---------------------------|
| Tél: (450) 979-4373<br>Fax: (450) 979-4626<br><a href="http://www.exmweb.com">www.exmweb.com</a> |   | Flatness<br>Aplatissement |
|  |   | Max 3.0mm                 |
| Projection<br>   |   | Date                      |
| Customer<br>Client   | BoxCad: BoxCad                            | Date                      |
| Drawn By<br>Dessiné Par  | 14 Ga Cold Rolled A1008 CS Type B (1.7mm) | Date 10/4/2022            |
| Material<br>Matière  | Color<br>Couleur                          | Finish<br>Fini            |
| Description  | Asa-61 Grey                               | Smooth                    |
| Part Number<br>Numéro Pièce  | Detail Rev.                               | Rev.                      |
| 1412BT 30" x 132" Cover  |   | 11                        |
| <b>SEE BILL OF MATERIAL ON LAST PAGE</b>   | <b>1412BT111004DTC</b>                    | <b>0</b>                  |
|  |   | 17                        |

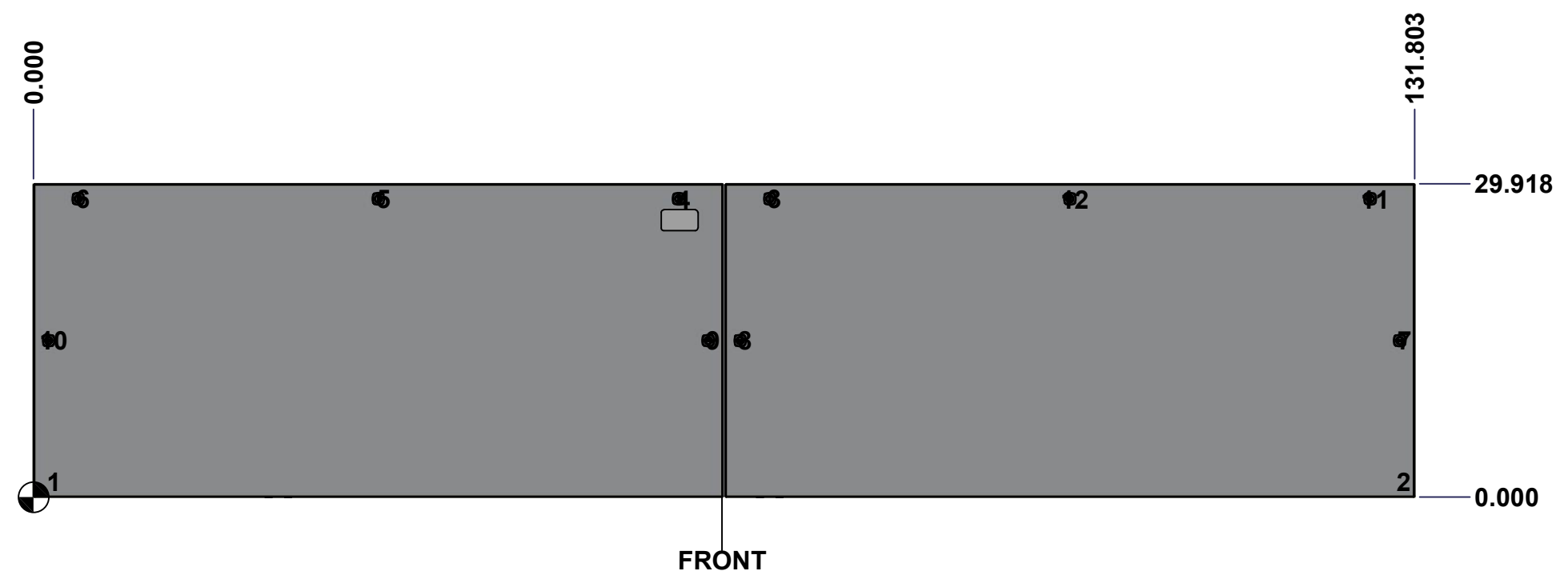
This drawing is confidential and must not be reproduced or used without the consent of Eurobox

Ce dessin est confidentiel et ne doit pas être reproduit ou utilisé sans le consentement de Eurobox

**STANDARD FEATURES ARE NOT LISTED IN THIS HOLE TABLE**

**HOLE TABLE - FRONT VIEW (CUSTOM FEATURE ONLY)**

| CUT-OUT | XDIM    | YDIM   | DESCRIPTION                 |
|---------|---------|--------|-----------------------------|
| 1       | 1.500   | 1.486  | GND STUD M6 x 16mm (Inside) |
| 2       | 130.303 | 1.486  | GND STUD M6 x 16mm (Inside) |
| 3       | 70.250  | 28.494 | LOCK 880 SCQ4-SL @ 90.0°    |
| 4       | 61.553  | 28.494 | LOCK 880 SCQ4-SL @ 90.0°    |
| 5       | 32.902  | 28.494 | LOCK 880 SCQ4-SL @ 90.0°    |
| 6       | 4.250   | 28.494 | LOCK 880 SCQ4-SL @ 90.0°    |
| 7       | 130.379 | 14.959 | LOCK 880 SCQ4-SL @ 0.0°     |
| 8       | 67.424  | 14.959 | LOCK 880 SCQ4-SL @ 180.0°   |
| 9       | 64.379  | 14.959 | LOCK 880 SCQ4-SL @ 0.0°     |
| 10      | 1.424   | 14.959 | LOCK 880 SCQ4-SL @ 180.0°   |
| 11      | 127.553 | 28.494 | LOCK 880 SCQ4-SL @ 90.0°    |
| 12      | 98.902  | 28.494 | LOCK 880 SCQ4-SL @ 90.0°    |

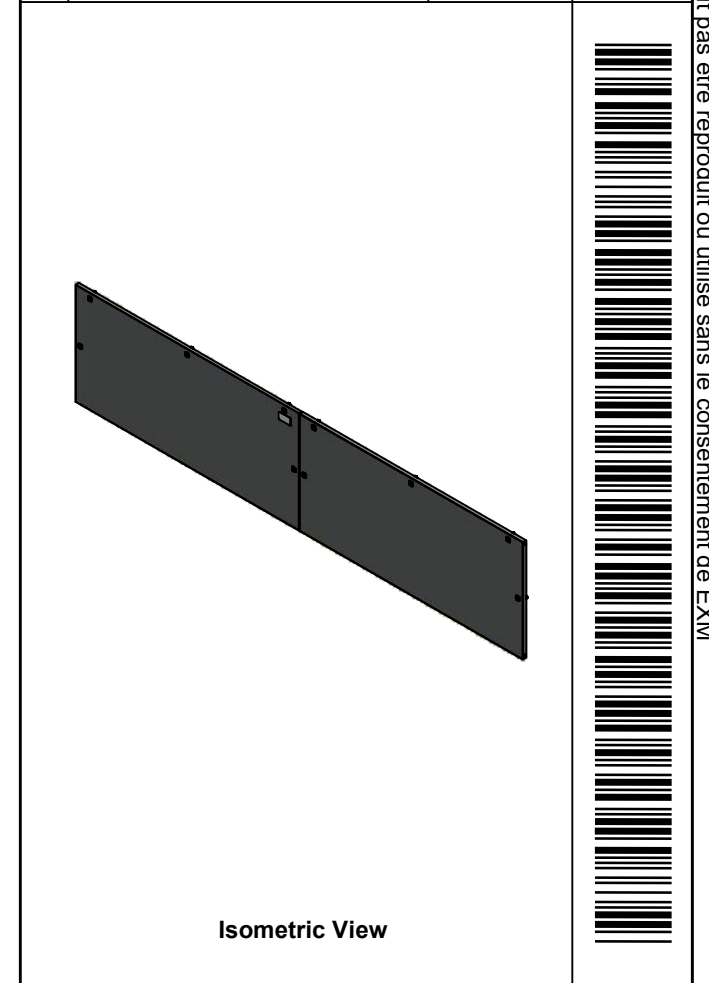



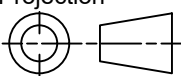
|  |                             |          |    |
|--|-----------------------------|----------|----|
|  | Description                 | Status   |    |
|  | 1412BT 30" x 132" Cover     | (NULL)   |    |
|  | Part Number<br>Numéro Pièce | Rev.     | 12 |
|  | <b>1412BT111004DTC</b>      | <b>0</b> | 17 |

This drawing is confidential and must not be reproduced or used without the consent of EXM

Ce dessin est confidentiel et ne doit pas être reproduit ou utilisé sans le consentement de EXM

| No. | Revisions | Date | By/Par |
|-----|-----------|------|--------|
|     |           |      |        |
|     |           |      |        |
|     |           |      |        |
|     |           |      |        |
|     |           |      |        |

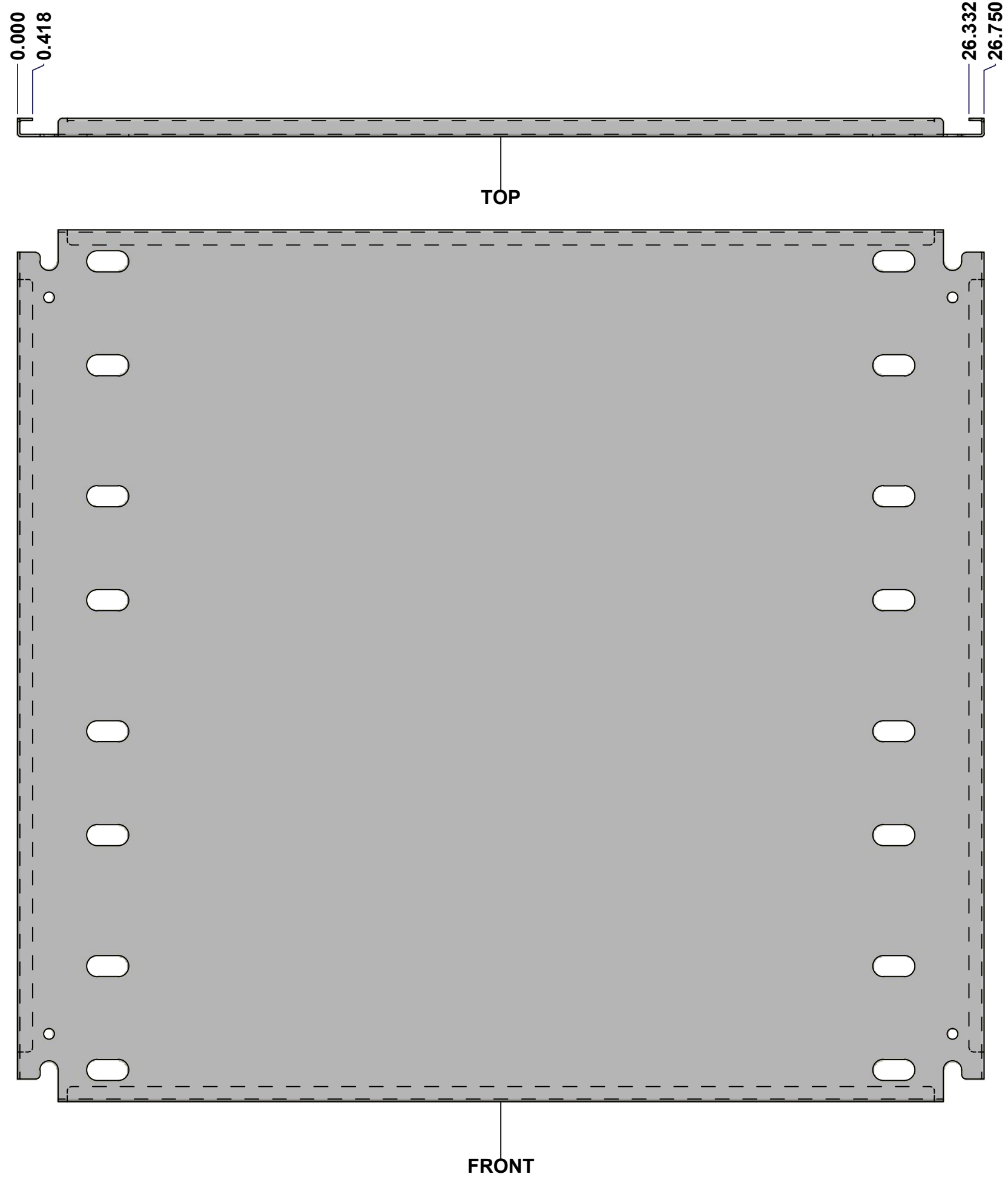


|  |                              |   |
|--|------------------------------|---|
|  Tél: (450) 979-4373<br>Fax: (450) 979-4626<br><a href="http://www.exmweb.com">www.exmweb.com</a> |                              | Flatness<br>Aplatissement<br>Max 3.0mm<br>Projection<br> |
| Customer Client  | Date                         |   |
| Drawn By / Dessiné Par: BoxCad: BoxCad   | Date: 10/4/2022              |   |
| Material / Matière: 14 Ga Cold Rolled A1008 CS Type B (1.7mm)  | Color / Couleur: Asa-61 Grey |   |
| Finish / Fini: Smooth  |                              | Detail Rev.   |
| Description: 1412BT 30" x 132" Cover   |                              | Part Number / Numéro Pièce: <b>1412BT111004DTC</b>  |
| Rev. 0   |                              | 13 / 17   |

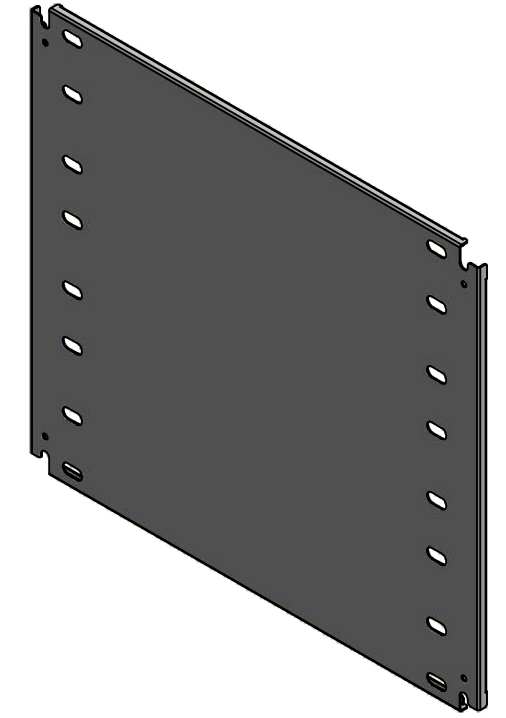
| Qty        | Part Name         | Rev | Description                             |
|------------|-------------------|-----|---|
| 2          | 1412BT111004DTG   | 0   | 1412BT 30" x 132" Cover Gasket          |
| 1          | STK-P-02400S      | 0   | Powder Paint (Asa-61 Grey / Smooth)     |
| 8          | STK-K-09800       | 10  | 5412 ES Hinge with 2 Captive Hinge Pins |
| 2          | STK-Q-16080       | 0   | Ground Stud M6 x 16mm                   |
| 1          | STK-S-00100       | 0   | 3.5" x 2" Silver Milar Flexcon Sticker  |
| 1          | 1412BT111004DTC-P | 0   | 1412BT 30" x 66" Left Cover Part        |
| 1          | 1412BT111004DTF-P | 0   | 1412BT 30" x 132" Right Cover Part      |
| 10         | 880 SCQ4-SL       | 6   | 5412 ES 1/4 Turn Lock                   |
| Parts List |                   |     |   |


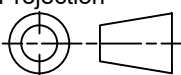
This drawing is confidential and must not be reproduced or used without the consent of EXM

Ce dessin est confidentiel et ne doit pas être reproduit ou utilisé sans le consentement de EXM



| No. | Revisions | Date | By/Par |
|-----|-----------|------|--------|
|     |           |      |        |
|     |           |      |        |
|     |           |      |        |
|     |           |      |        |
|     |           |      |        |



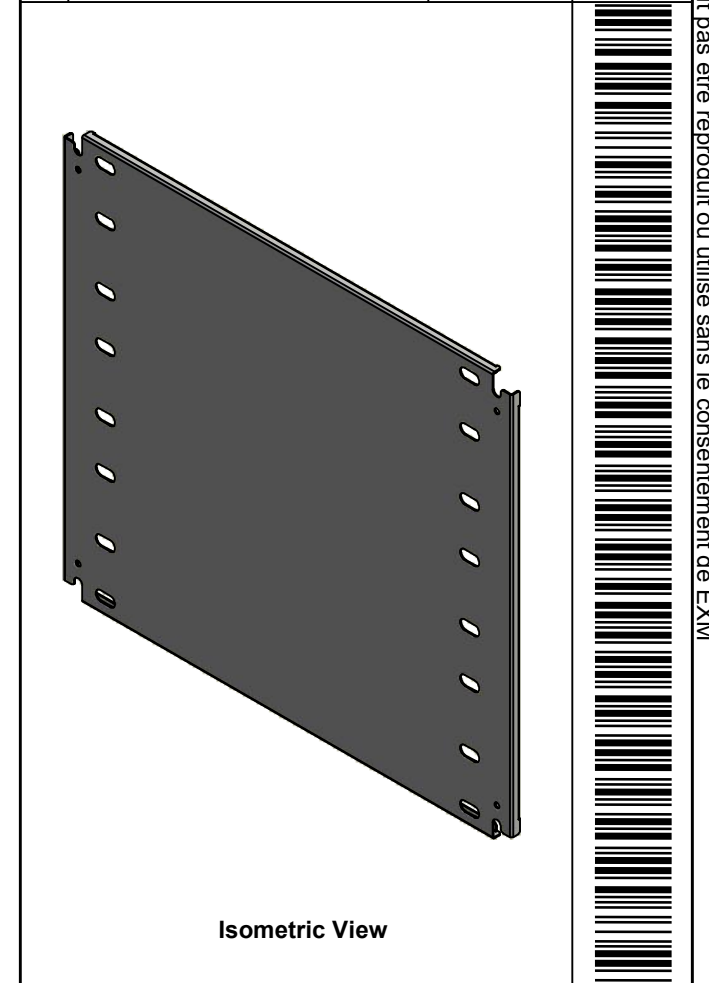
|  |   |   |
|--|---|---|
|  Tél: (450) 979-4373<br>Fax: (450) 979-4626<br><a href="http://www.exmweb.com">www.exmweb.com</a> |   | Flatness<br>Aplatissement<br>Max 3.0mm<br>Projection<br> |
| Customer Client  | Date                                      |   |
| Drawn By<br>Dessiné Par  | BoxCad: BoxCad                            | Date 10/4/2022  |
| Material<br>Matière  | 14 Ga Cold Rolled A1008 CS Type B (1.7mm) |   |
| Color<br>Couleur   | White RAL9003                             | Finish<br>Fini Smooth   |
| Description  |   | Detail Rev.   |
| 1412BT 24.125" x 26.75" Left Inner Panel   |   |   |
| Part Number<br>Numéro Pièce  | Rev.                                      | 14  |
| <b>1412BT111004DTIP1</b>   | <b>0</b>                                  | 17  |

SEE BILL OF MATERIAL ON LAST PAGE

This drawing is confidential and must not be reproduced or used without the consent of EXM


Ce dessin est confidentiel et ne doit pas être reproduit ou utilisé sans le consentement de EXM

| No. | Revisions | Date | By/Par |
|-----|-----------|------|--------|
|     |           |      |        |
|     |           |      |        |
|     |           |      |        |
|     |           |      |        |
|     |           |      |        |



Isometric View

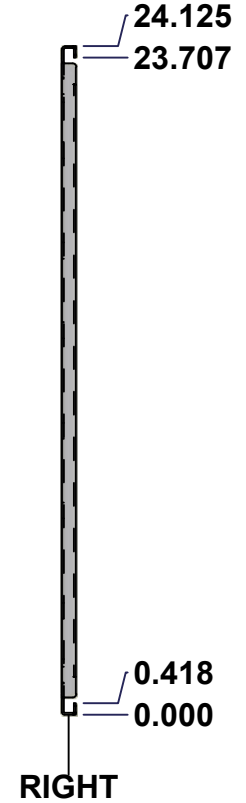
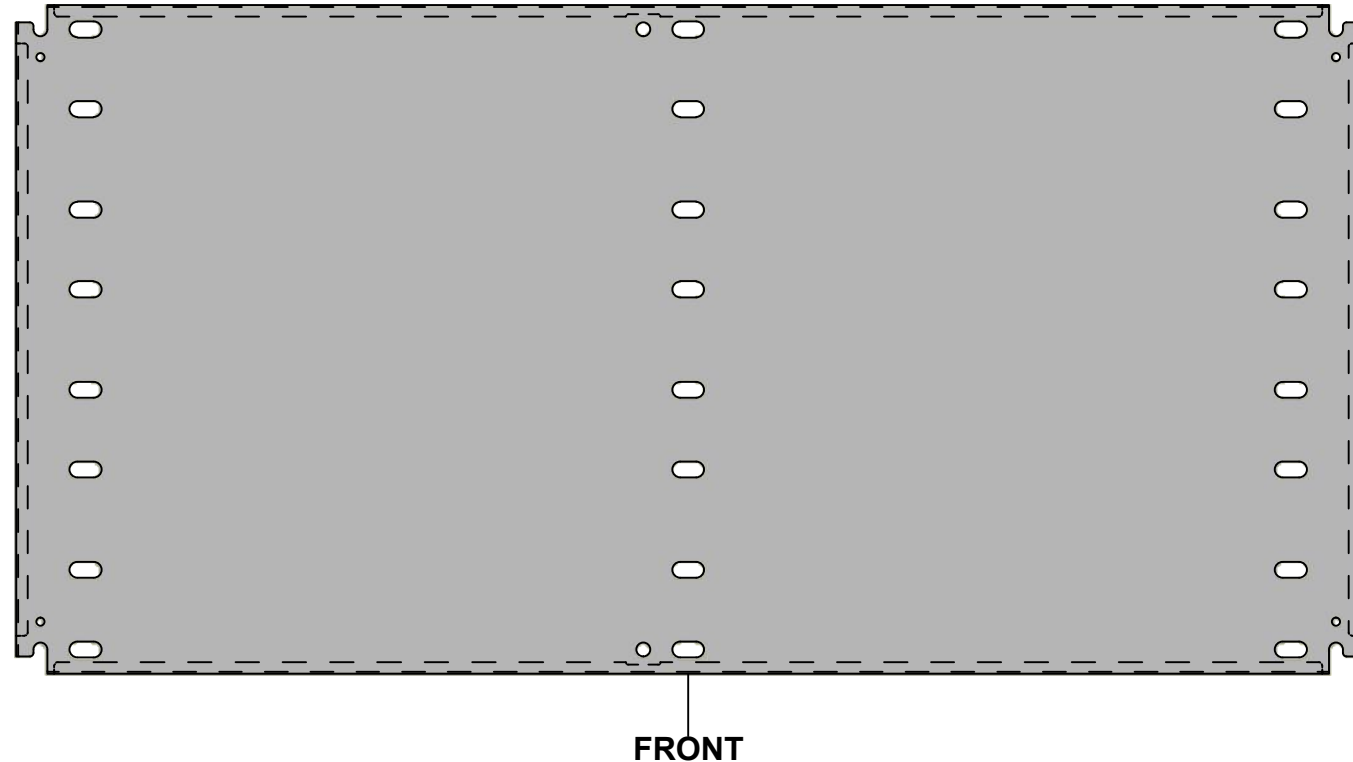
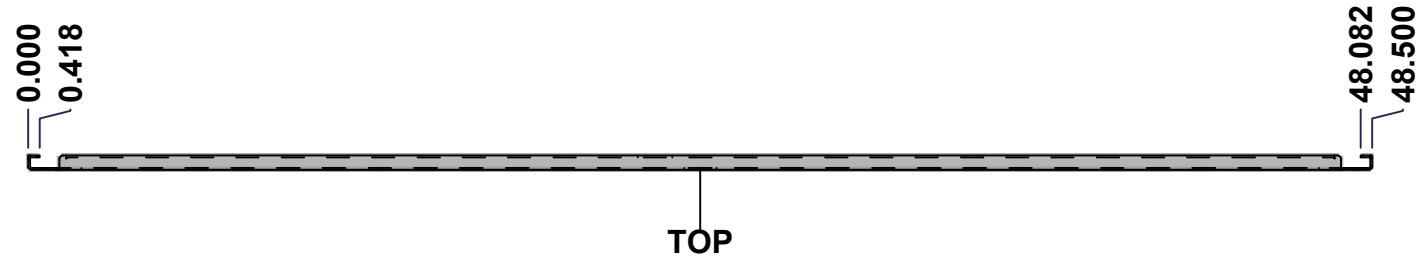


|  |                       |  |
|--|-----------------------|--|
|  Tél: (450) 979-4373<br>Fax: (450) 979-4626<br><a href="http://www.exmweb.com">www.exmweb.com</a> |                       | Flatness<br>Aplatissement<br>Max 3.0mm |
| Customer Client  |                       | Date                                   |
| Drawn By / Dessiné Par: BoxCad: BoxCad   |                       | Date: 10/4/2022                        |
| Material / Matière: 14 Ga Cold Rolled A1008 CS Type B (1.7mm)  |                       |  |
| Color / Couleur: White RAL9003   | Finish / Fini: Smooth |  |
| Description: 1412BT 24.125" x 26.75" Left Inner Panel  |                       | Detail Rev.                            |
| Part Number / Numéro Pièce: <b>1412BT111004DTIP1</b>   |                       | Rev. 15<br><b>0</b> / 17               |

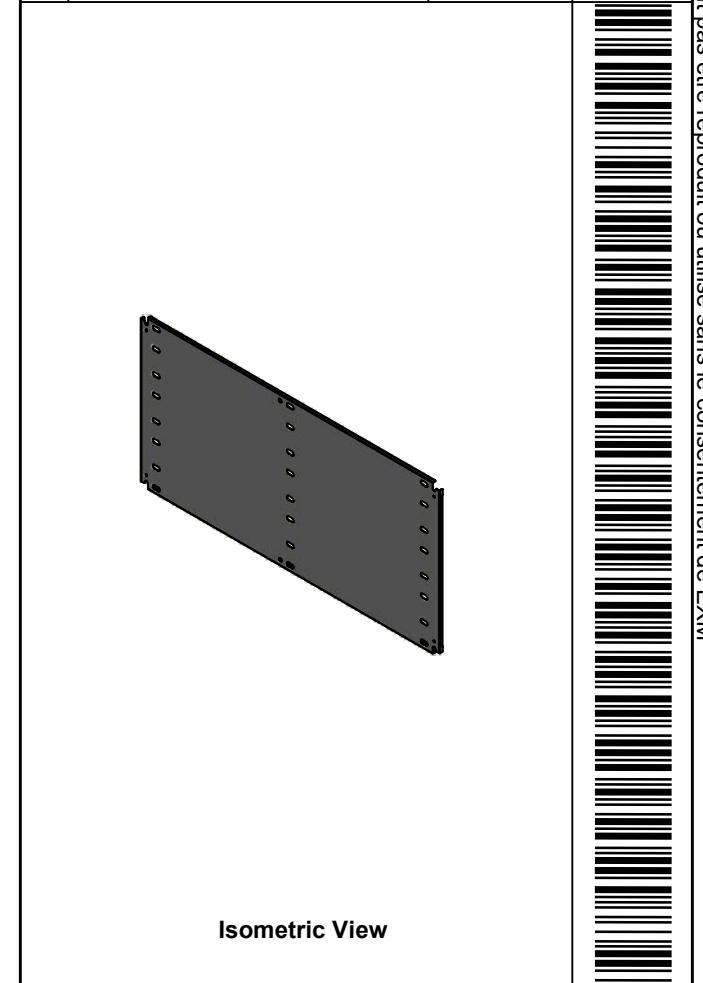
| Qty        | Part Number         | Rev | Description                                 |
|------------|---------------------|-----|---|
| 1          | STK-P-02401S        | 0   | Powder Paint (White / Smooth)               |
| 1          | 1412BT111004DTIP1-P | 0   | 1412BT 24.125" x 132" Left Inner Panel Part |
| Parts List |                     |     |   |


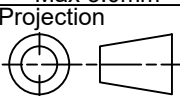
This drawing is confidential and must not be reproduced or used without the consent of EXM

Ce dessin est confidentiel et ne doit pas être reproduit ou utilisé sans le consentement de EXM



| No. | Revisions | Date | By/Par |
|-----|-----------|------|--------|
|     |           |      |        |
|     |           |      |        |
|     |           |      |        |
|     |           |      |        |
|     |           |      |        |



|  |   |   |
|--|---|---|
|  Tél: (450) 979-4373<br>Fax: (450) 979-4626<br><a href="http://www.exmweb.com">www.exmweb.com</a> | Flatness<br>Aplatissement                 |  |
|  | Max 3.0mm                                 |   |
| Customer<br>Client   | Date                                      | Date 10/4/2022  |
| Drawn By<br>Dessiné Par  | BoxCad: BoxCad                            |   |
| Material<br>Matière  | 14 Ga Cold Rolled A1008 CS Type B (1.7mm) |   |
| Color<br>Couleur   | White RAL9003                             | Finish<br>Fini  |
| Description  |   | Detail Rev.   |
| 1412BT 24.125" x 48.5" Right Inner Panel   |   |   |
| Part Number<br>Numéro Pièce  | Rev.                                      |   |
| 1412BT111004DTIP2  | 0   | 16<br>17  |

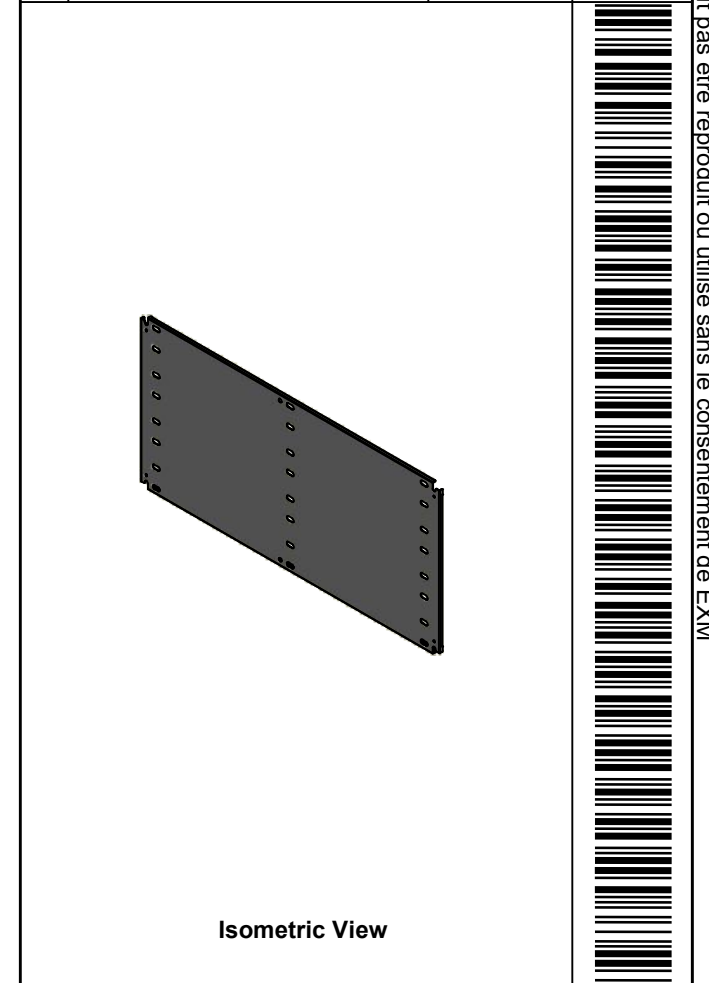
SEE BILL OF MATERIAL ON LAST PAGE


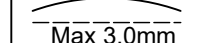


This drawing is confidential and must not be reproduced or used without the consent of EXM

Ce dessin est confidentiel et ne doit pas être reproduit ou utilisé sans le consentement de EXM

| No. | Revisions | Date | By/Par |
|-----|-----------|------|--------|
|     |           |      |        |
|     |           |      |        |
|     |           |      |        |
|     |           |      |        |
|     |           |      |        |



|  |                       |  |
|--|-----------------------|--|
|  Tél: (450) 979-4373<br>Fax: (450) 979-4626<br><a href="http://www.exmweb.com">www.exmweb.com</a> |                       | Flatness<br>Aplatissement<br> Max 3.0mm |
| Customer Client  |                       | Date   |
| Drawn By / Dessiné Par: BoxCad: BoxCad   |                       | Date: 10/4/2022  |
| Material / Matière: 14 Ga Cold Rolled A1008 CS Type B (1.7mm)  |                       |  |
| Color / Couleur: White RAL9003   | Finish / Fini: Smooth |  |
| Description: 1412BT 24.125" x 48.5" Right Inner Panel  |                       | Detail Rev.  |
| Part Number / Numéro Pièce: <b>1412BT111004DTIP2</b>   |                       | Rev. 17<br><b>0</b>  |

| Qty        | Part Number         | Rev | Description                                  |
|------------|---------------------|-----|--|
| 1          | STK-P-02401S        | 0   | Powder Paint (White / Smooth)                |
| 1          | 1412BT111004DTIP2-P | 0   | 1412BT 24.125" x 132" Right Inner Panel Part |
| Parts List |                     |     |  |