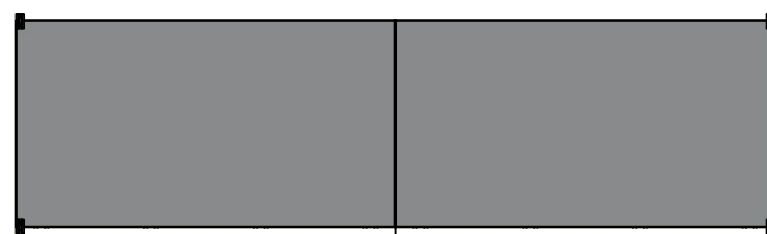


This drawing is confidential and must not be reproduced or used without the consent of EXM

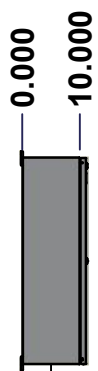
Ce dessin est confidentiel et ne doit pas être reproduit ou utilisé sans le consentement de EXM



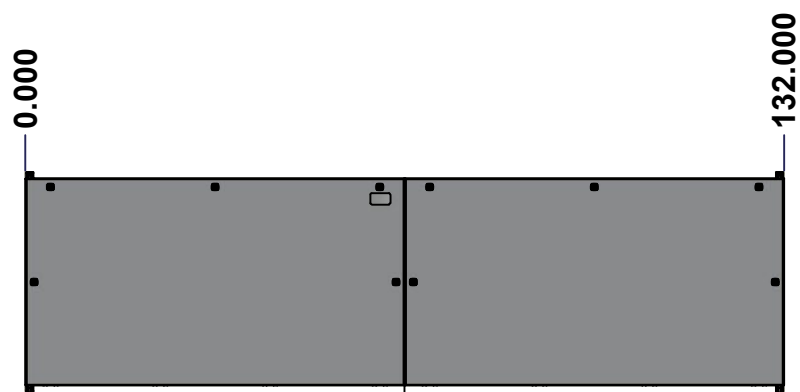
TOP



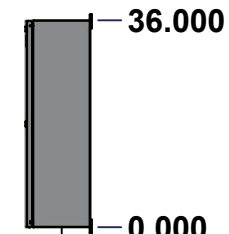
LEFT



LEFT



FRONT

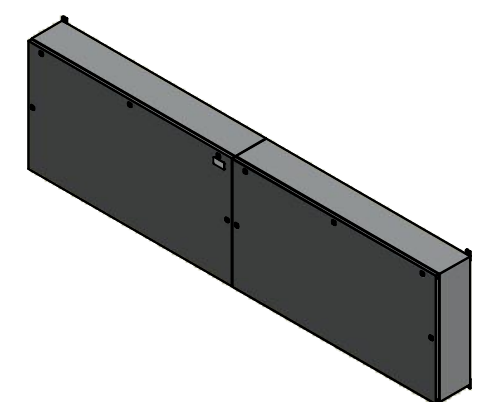


RIGHT



BOTTOM

No.	Revisions	Date	By/Par



Isometric View



Tél: (450) 979-4373  
 Fax: (450) 979-4626  
[www.exmweb.com](http://www.exmweb.com)

Flatness  
Aplatissement  
Max 3.0mm  
Projection

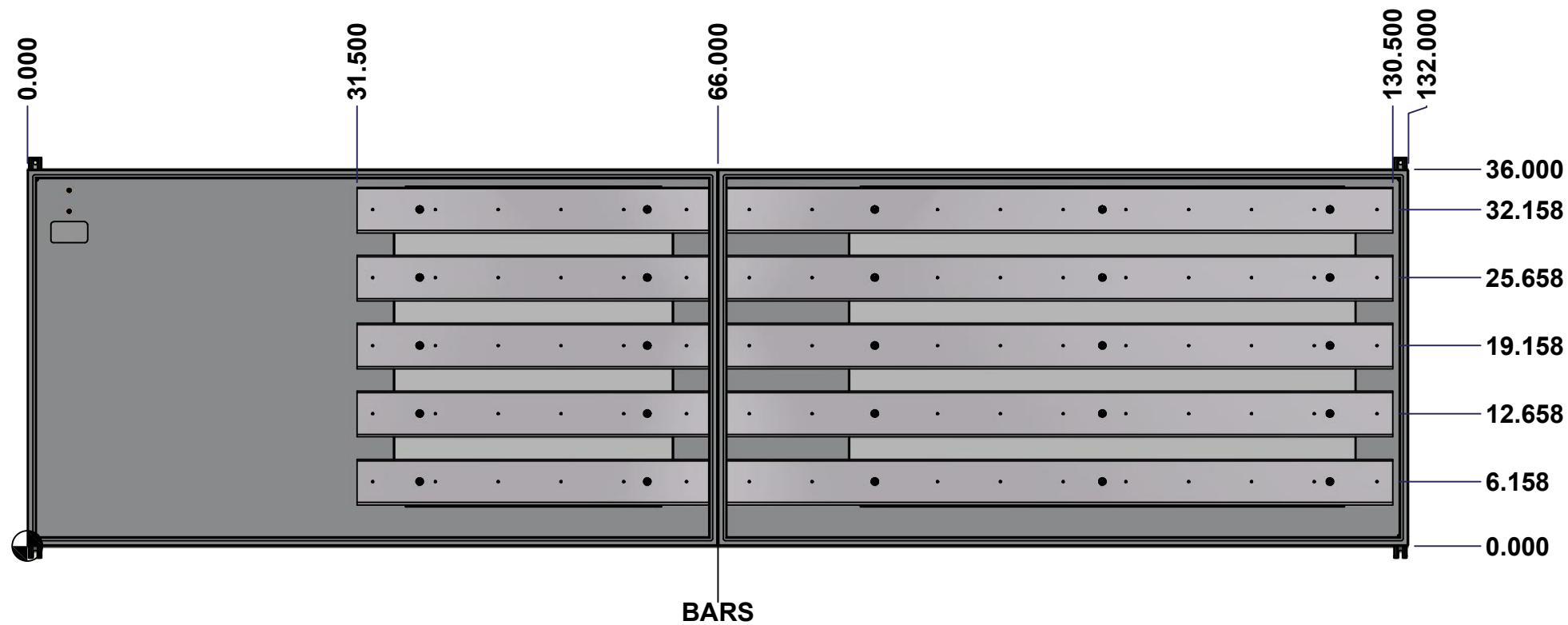
Customer Client	Date
Drawn By Dessiné Par BoxCad: BoxCad	Date 10/4/2022
Material Matière 14 Ga Cold Rolled A1008 CS Type B (1.7mm)	
Color Couleur Asa-61 Grey	Finish Fini Smooth
Description 1412BT 1000A - 5Wires x 132" Assembly	Detail Rev.
Part Number Numéro Pièce <b>1412BT111005DT</b>	Rev. <b>0</b>

SEE BILL OF MATERIAL ON LAST PAGE

This drawing is confidential and must not be reproduced or used without the consent of Eurobox

**STANDARD FEATURES ARE NOT LISTED IN THIS HOLE TABLE**

Ce dessin est confidentiel et ne doit pas être reproduit ou utilisé sans le consentement de Eurobox



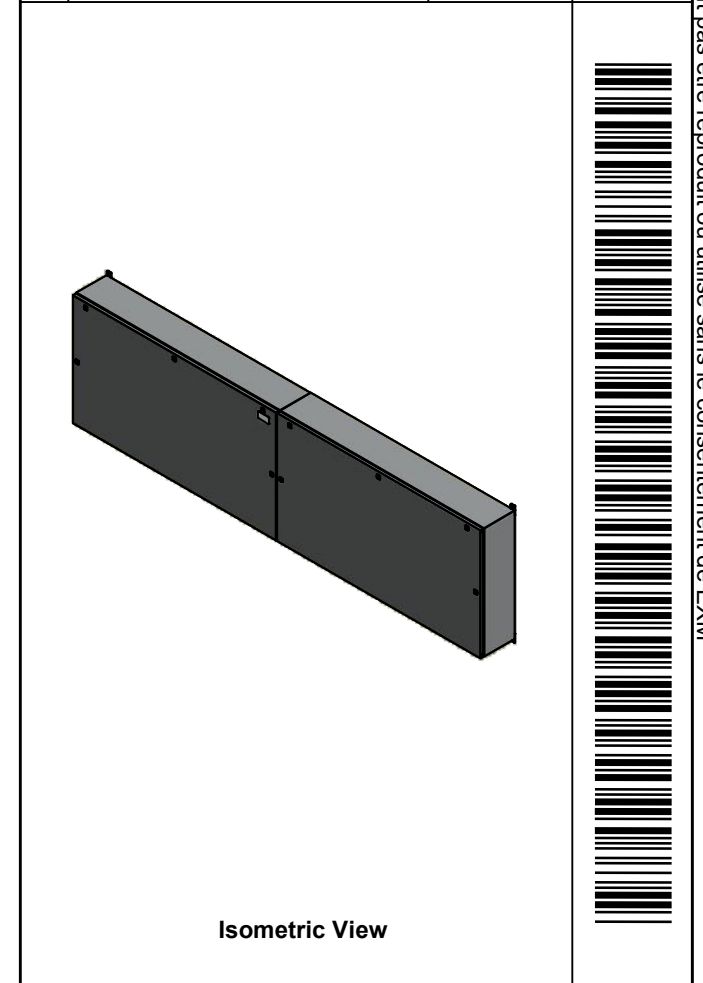
	Description	Status	
	1412BT 1000A - 5Wires x 132" Assembly	(NULL)	
	Part Number Numéro Pièce	Rev.	
	<b>1412BT111005DT</b>	<b>0</b>	2
			18

This drawing is confidential and must not be reproduced or used without the consent of EXM

Ce dessin est confidentiel et ne doit pas être reproduit ou utilisé sans le consentement de EXM


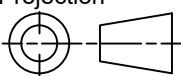
NOTE	
ITEM	DESCRIPTION
1	NEMA 4/12 Enclosure
2	C/W Standard ground studs on box and cover
3	W/O Standard door stiffener
4	C/W Special inner panel (Sold separately)
5	C/W Standard inner panel mounting studs

No.	Revisions	Date	By/Par



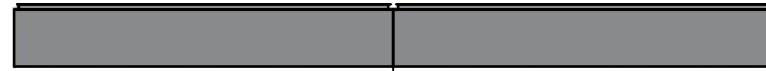
PACKING		
ITEM	QTY	DESCRIPTION
Cardboard sleeve	2	Top and Bottom
Cardboard strip	2	Between back of enclosure and inner panel
Plastic bag	1	To protect cover surface and inside gasket
Cardboard corner	4	To reinforced for the plastic strap tightening
Plastic strap - Black	2	To Squeeze 2 cardboard sleeve together
Packaging label	3	White label with PN
Plastic strap- Green	2	To secure the enclosure to the wood pallet
Wood Pallet	1	2" deeper and 3" larger than enclosure size

1	885 ESMF1	0	885 ESMF1 Mounting Feet Kit
1	1412BT111005DTIP2	0	1412BT 30.625" x 48.5" Right Inner Panel
1	1412BT111005DTBAR1-P	0	Rounded Edge Aluminum Bar 3/8" x 4 1/2"
1	1412BT111005DTBAR2-P	0	Rounded Edge Aluminum Bar 3/8" x 4 1/2"
1	1412BT111005DTBAR3-P	0	Rounded Edge Aluminum Bar 3/8" x 4 1/2"
1	1412BT111005DTBAR4-P	0	Rounded Edge Aluminum Bar 3/8" x 4 1/2"
1	1412BT111005DTBAR5-P	0	Rounded Edge Aluminum Bar 3/8" x 4 1/2"
1	1412BT111005DTIP1	0	1412BT 30.625" x 26.75" Left Inner Panel
25	STK-A-67400	0	Buss Bar Insulator Kit
1	STK-K-01800	5	5412 ES Accessory Kit
8	STK-Q-04050-07	7	M6 x 7mm Hexagon Socket Head Machine Screw with Nyseal
35	STK-Q-07310	2	Flange Lock Nut M8
10	STK-Q-07610	8	M8 Plastic Spacer 22.2mm
1	1412BT111005DTB	0	1412BT 36" x 132" x 10" Body
1	1412BT111005DTC	0	1412BT 36" x 132" Cover
Qty	Part Number	Rev	Description
Parts List			

 Tél: (450) 979-4373 Fax: (450) 979-4626 <a href="http://www.exmweb.com">www.exmweb.com</a>	Flatness Aplatissement
	Max 3.0mm
Projection	
Customer Client	Date
Drawn By Dessiné Par	Date 10/4/2022
BoxCad: BoxCad	
Material Matière	14 Ga Cold Rolled A1008 CS Type B (1.7mm)
Color Couleur	Asa-61 Grey
Finish Fini	Smooth
Description	Detail Rev.
1412BT 1000A - 5Wires x 132" Assembly	
Part Number Numéro Pièce	Rev. 3
<b>1412BT111005DT</b>	<b>0</b>
	18

This drawing is confidential and must not be reproduced or used without the consent of EXM

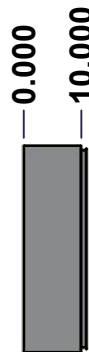
Ce dessin est confidentiel et ne doit pas être reproduit ou utilisé sans le consentement de EXM



TOP



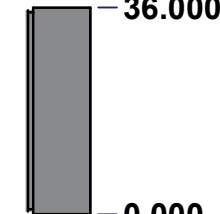
BACK



LEFT



FRONT

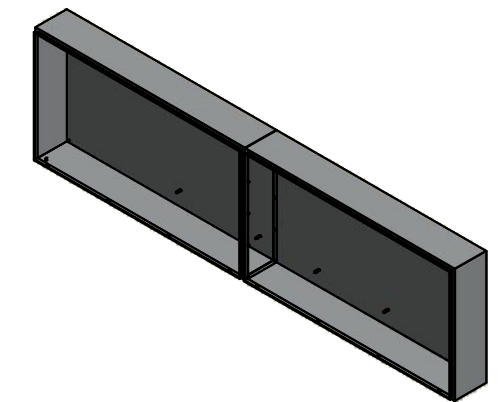


RIGHT



BOTTOM

No.	Revisions	Date	By/Par



Isometric View

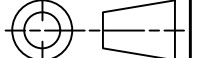


Tél: (450) 979-4373  
 Fax: (450) 979-4626  
[www.exmweb.com](http://www.exmweb.com)

Flatness  
Aplatissement

Max 3.0mm

Projection



Customer Client	Date
Drawn By Dessiné Par BoxCad: BoxCad	Date 10/4/2022
Material Matière 14 Ga Cold Rolled A1008 CS Type B (1.7mm)	
Color Couleur Asa-61 Grey	Finish Fini Smooth
Description 1412BT 36" x 132" x 10" Body	Detail Rev.
Part Number Numéro Pièce <b>1412BT111005DTB</b>	Rev. <b>0</b>

SEE BILL OF MATERIAL ON LAST PAGE

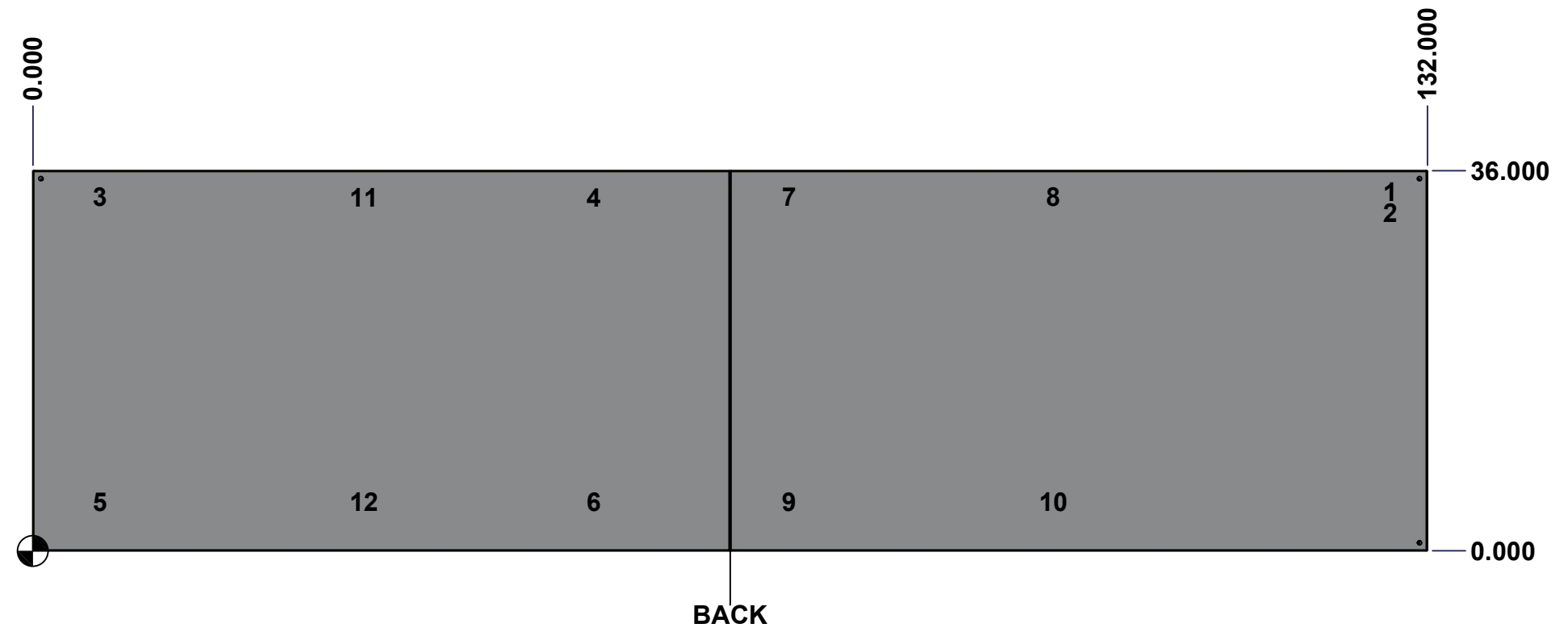
This drawing is confidential and must not be reproduced or used without the consent of Eurobox

Ce dessin est confidentiel et ne doit pas être reproduit ou utilisé sans le consentement de Eurobox

**STANDARD FEATURES ARE NOT LISTED IN THIS HOLE TABLE**

**HOLE TABLE - BACK VIEW (CUSTOM FEATURE ONLY)**

CUT-OUT	XDIM	YDIM	DESCRIPTION
1	128.000	34.000	GND STUD M8 x 35mm (Inside)
2	128.000	32.000	GND STUD M8 x 35mm (Inside)
3	5.875	33.500	IP STUD M8 x 35mm (Inside)
4	52.625	33.500	IP STUD M8 x 35mm (Inside)
5	5.875	4.625	IP STUD M8 x 35mm (Inside)
6	52.625	4.625	IP STUD M8 x 35mm (Inside)
7	71.125	33.500	IP STUD M8 x 35mm (Inside)
8	96.125	33.500	IP STUD M8 x 35mm (Inside)
9	71.125	4.625	IP STUD M8 x 35mm (Inside)
10	96.125	4.625	IP STUD M8 x 35mm (Inside)
11	30.875	33.500	IP STUD M8 x 35mm (Inside)
12	30.875	4.625	IP STUD M8 x 35mm (Inside)

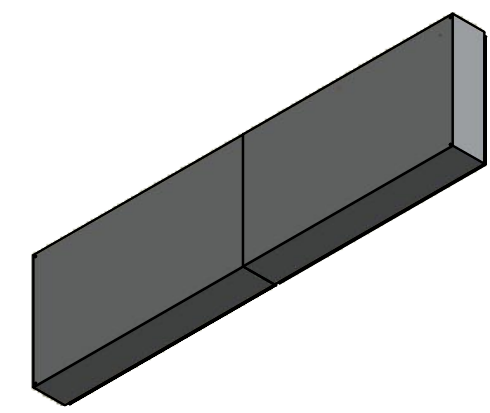


	Description	Status	
	1412BT 36" x 132" x 10" Body	(NULL)	
	Part Number Numéro Pièce	Rev.	5
	<b>1412BT111005DTB</b>	<b>0</b>	18

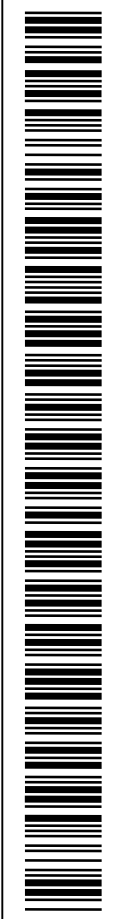
This drawing is confidential and must not be reproduced or used without the consent of EXM

Ce dessin est confidentiel et ne doit pas être reproduit ou utilisé sans le consentement de EXM

No.	Revisions	Date	By/Par



Isometric View



 Tél: (450) 979-4373 Fax: (450) 979-4626 <a href="http://www.exmweb.com">www.exmweb.com</a>	Flatness Aplatissement
	Max 3.0mm
Projection	

Customer Client	Date
Drawn By Dessiné Par BoxCad: BoxCad	Date 10/4/2022
Material Matière	14 Ga Cold Rolled A1008 CS Type B (1.7mm)

Color Couleur	Asa-61 Grey	Finish Fini	Smooth
Description		Detail Rev.	
1412BT 36" x 132" x 10" Body			

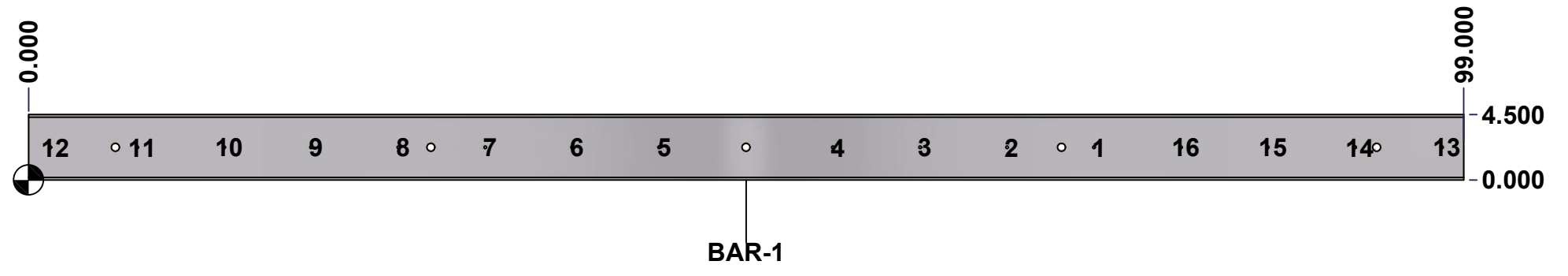
Qty	Part Number	Rev	Description
1	STK-P-02400S	0	Powder Paint (Asa-61 Grey / Smooth)
1	1412BT111005DTB-P	0	1412BT 36" x 132" x 10" Left Body Part
1	1412BT111005DTE-P	0	1412BT 36" x 132" x 10" Right Body Part
1	STK-G-00701	0	1" x 1/4" Self-Adhesive Neoprene Gasket
10	STK-Q-00260	1	M6 x 13mm Carriage Bolt
10	STK-Q-07220	1	M6 Nylon Insert Lock Nut
12	STK-Q-16005	1	Stud M8 x 35 (No Paint Cap Required)
2	STK-Q-16080	0	Ground Stud M6 x 16mm
1	STK-S-00100	0	3.5" x 2" Silver Milar Flexcon Sticker
Parts List			

Part Number Numéro Pièce	Rev.	6
<b>1412BT111005DTB</b>	<b>0</b>	18

This drawing is confidential and must not be reproduced or used without the consent of Eurobex

Ce dessin est confidentiel et ne doit pas être reproduit ou utilisé sans le consentement de Eurobex

STANDARD FEATURES ARE NOT LISTED IN THIS HOLE TABLE			
HOLE TABLE - FRONT VIEW (CUSTOM FEATURE ONLY)			
CUT-OUT	XDIM	YDIM	DESCRIPTION
1	73.500	2.250	RND Ø0.201 THREAD 1/4-20 UNC
2	67.500	2.250	RND Ø0.201 THREAD 1/4-20 UNC
3	61.500	2.250	RND Ø0.201 THREAD 1/4-20 UNC
4	55.500	2.250	RND Ø0.201 THREAD 1/4-20 UNC
5	43.500	2.250	RND Ø0.201 THREAD 1/4-20 UNC
6	37.500	2.250	RND Ø0.201 THREAD 1/4-20 UNC
7	31.500	2.250	RND Ø0.201 THREAD 1/4-20 UNC
8	25.500	2.250	RND Ø0.201 THREAD 1/4-20 UNC
9	19.500	2.250	RND Ø0.201 THREAD 1/4-20 UNC
10	13.500	2.250	RND Ø0.201 THREAD 1/4-20 UNC
11	7.500	2.250	RND Ø0.201 THREAD 1/4-20 UNC
12	1.500	2.250	RND Ø0.201 THREAD 1/4-20 UNC
13	97.500	2.250	RND Ø0.201 THREAD 1/4-20 UNC
14	91.500	2.250	RND Ø0.201 THREAD 1/4-20 UNC
15	85.500	2.250	RND Ø0.201 THREAD 1/4-20 UNC
16	79.500	2.250	RND Ø0.201 THREAD 1/4-20 UNC

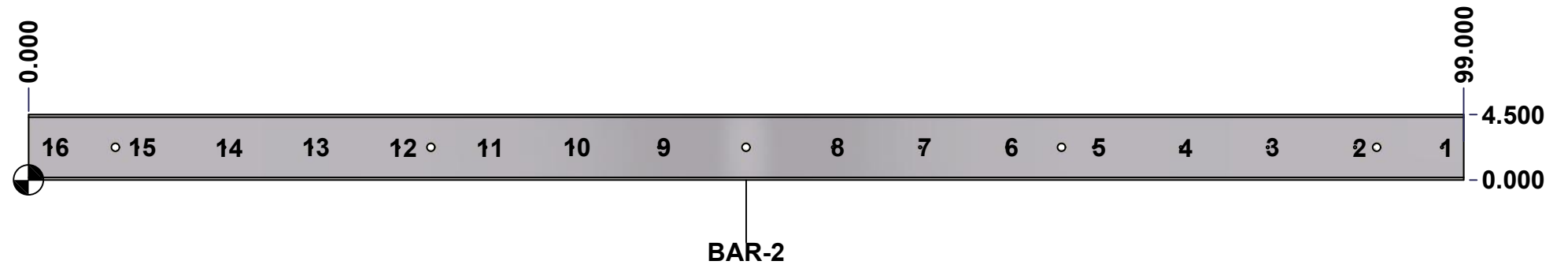


	Description	Status
	Rounded Edge Aluminum Bar 3/8" x 4 1/2"	(NULL)
	Part Number Numéro Pièce	Rev.
	<b>1412BT111005DTBAR1-P</b>	<b>0</b> / 7
		18

This drawing is confidential and must not be reproduced or used without the consent of Eurobex

Ce dessin est confidentiel et ne doit pas être reproduit ou utilisé sans le consentement de Eurobex

STANDARD FEATURES ARE NOT LISTED IN THIS HOLE TABLE			
HOLE TABLE - FRONT VIEW (CUSTOM FEATURE ONLY)			
CUT-OUT	XDIM	YDIM	DESCRIPTION
1	97.500	2.250	RND Ø0.201 THREAD 1/4-20 UNC
2	91.500	2.250	RND Ø0.201 THREAD 1/4-20 UNC
3	85.500	2.250	RND Ø0.201 THREAD 1/4-20 UNC
4	79.500	2.250	RND Ø0.201 THREAD 1/4-20 UNC
5	73.500	2.250	RND Ø0.201 THREAD 1/4-20 UNC
6	67.500	2.250	RND Ø0.201 THREAD 1/4-20 UNC
7	61.500	2.250	RND Ø0.201 THREAD 1/4-20 UNC
8	55.500	2.250	RND Ø0.201 THREAD 1/4-20 UNC
9	43.500	2.250	RND Ø0.201 THREAD 1/4-20 UNC
10	37.500	2.250	RND Ø0.201 THREAD 1/4-20 UNC
11	31.500	2.250	RND Ø0.201 THREAD 1/4-20 UNC
12	25.500	2.250	RND Ø0.201 THREAD 1/4-20 UNC
13	19.500	2.250	RND Ø0.201 THREAD 1/4-20 UNC
14	13.500	2.250	RND Ø0.201 THREAD 1/4-20 UNC
15	7.500	2.250	RND Ø0.201 THREAD 1/4-20 UNC
16	1.500	2.250	RND Ø0.201 THREAD 1/4-20 UNC



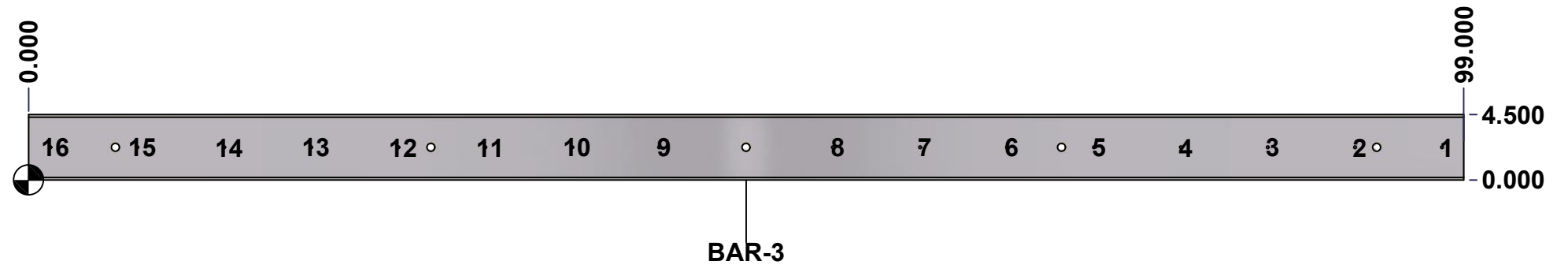
	Description	Status
	Rounded Edge Aluminum Bar 3/8" x 4 1/2"	(NULL)
	Part Number Numéro Pièce	Rev.
	<b>1412BT111005DTBAR2-P</b>	<b>0</b> / 8
		18



This drawing is confidential and must not be reproduced or used without the consent of Eurobex

Ce dessin est confidentiel et ne doit pas être reproduit ou utilisé sans le consentement de Eurobex

STANDARD FEATURES ARE NOT LISTED IN THIS HOLE TABLE			
HOLE TABLE - FRONT VIEW (CUSTOM FEATURE ONLY)			
CUT-OUT	XDIM	YDIM	DESCRIPTION
1	97.500	2.250	RND Ø0.201 THREAD 1/4-20 UNC
2	91.500	2.250	RND Ø0.201 THREAD 1/4-20 UNC
3	85.500	2.250	RND Ø0.201 THREAD 1/4-20 UNC
4	79.500	2.250	RND Ø0.201 THREAD 1/4-20 UNC
5	73.500	2.250	RND Ø0.201 THREAD 1/4-20 UNC
6	67.500	2.250	RND Ø0.201 THREAD 1/4-20 UNC
7	61.500	2.250	RND Ø0.201 THREAD 1/4-20 UNC
8	55.500	2.250	RND Ø0.201 THREAD 1/4-20 UNC
9	43.500	2.250	RND Ø0.201 THREAD 1/4-20 UNC
10	37.500	2.250	RND Ø0.201 THREAD 1/4-20 UNC
11	31.500	2.250	RND Ø0.201 THREAD 1/4-20 UNC
12	25.500	2.250	RND Ø0.201 THREAD 1/4-20 UNC
13	19.500	2.250	RND Ø0.201 THREAD 1/4-20 UNC
14	13.500	2.250	RND Ø0.201 THREAD 1/4-20 UNC
15	7.500	2.250	RND Ø0.201 THREAD 1/4-20 UNC
16	1.500	2.250	RND Ø0.201 THREAD 1/4-20 UNC

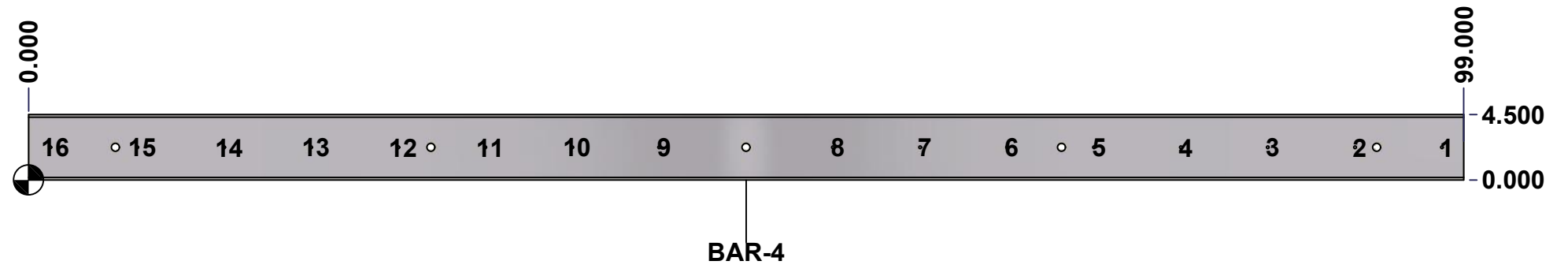


	Description	Status
	Rounded Edge Aluminum Bar 3/8" x 4 1/2"	(NULL)
	Part Number	Rev.
	Numéro Pièce	9
	<b>1412BT111005DTBAR3-P</b>	<b>0</b>
		18

This drawing is confidential and must not be reproduced or used without the consent of Eurobex

Ce dessin est confidentiel et ne doit pas être reproduit ou utilisé sans le consentement de Eurobex

STANDARD FEATURES ARE NOT LISTED IN THIS HOLE TABLE			
HOLE TABLE - FRONT VIEW (CUSTOM FEATURE ONLY)			
CUT-OUT	XDIM	YDIM	DESCRIPTION
1	97.500	2.250	RND Ø0.201 THREAD 1/4-20 UNC
2	91.500	2.250	RND Ø0.201 THREAD 1/4-20 UNC
3	85.500	2.250	RND Ø0.201 THREAD 1/4-20 UNC
4	79.500	2.250	RND Ø0.201 THREAD 1/4-20 UNC
5	73.500	2.250	RND Ø0.201 THREAD 1/4-20 UNC
6	67.500	2.250	RND Ø0.201 THREAD 1/4-20 UNC
7	61.500	2.250	RND Ø0.201 THREAD 1/4-20 UNC
8	55.500	2.250	RND Ø0.201 THREAD 1/4-20 UNC
9	43.500	2.250	RND Ø0.201 THREAD 1/4-20 UNC
10	37.500	2.250	RND Ø0.201 THREAD 1/4-20 UNC
11	31.500	2.250	RND Ø0.201 THREAD 1/4-20 UNC
12	25.500	2.250	RND Ø0.201 THREAD 1/4-20 UNC
13	19.500	2.250	RND Ø0.201 THREAD 1/4-20 UNC
14	13.500	2.250	RND Ø0.201 THREAD 1/4-20 UNC
15	7.500	2.250	RND Ø0.201 THREAD 1/4-20 UNC
16	1.500	2.250	RND Ø0.201 THREAD 1/4-20 UNC

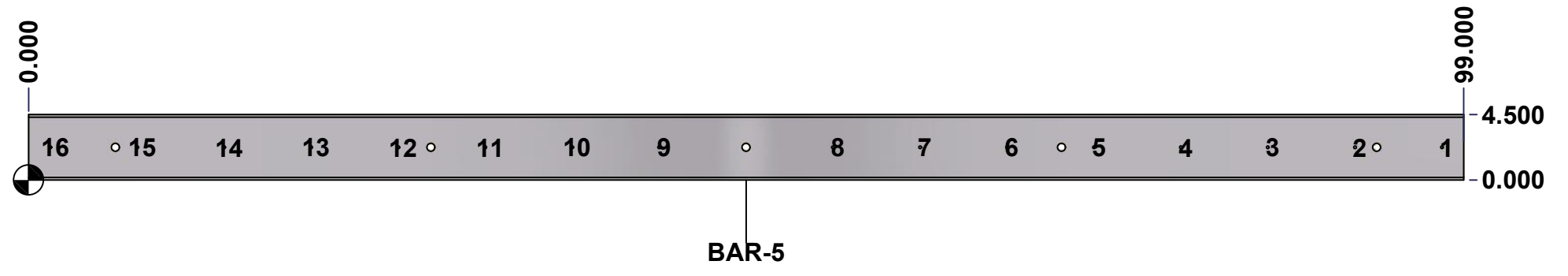


	Description	Status
	Rounded Edge Aluminum Bar 3/8" x 4 1/2"	(NULL)
	Part Number Numéro Pièce	Rev.
	<b>1412BT111005DTBAR4-P</b>	<b>0</b>
		10
		18

This drawing is confidential and must not be reproduced or used without the consent of Eurobex

Ce dessin est confidentiel et ne doit pas être reproduit ou utilisé sans le consentement de Eurobex

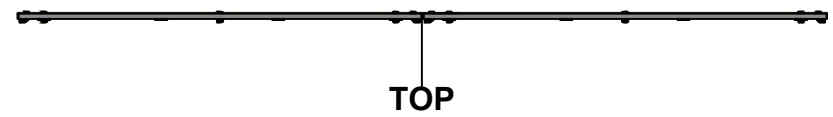
STANDARD FEATURES ARE NOT LISTED IN THIS HOLE TABLE			
HOLE TABLE - FRONT VIEW (CUSTOM FEATURE ONLY)			
CUT-OUT	XDIM	YDIM	DESCRIPTION
1	97.500	2.250	RND Ø0.201 THREAD 1/4-20 UNC
2	91.500	2.250	RND Ø0.201 THREAD 1/4-20 UNC
3	85.500	2.250	RND Ø0.201 THREAD 1/4-20 UNC
4	79.500	2.250	RND Ø0.201 THREAD 1/4-20 UNC
5	73.500	2.250	RND Ø0.201 THREAD 1/4-20 UNC
6	67.500	2.250	RND Ø0.201 THREAD 1/4-20 UNC
7	61.500	2.250	RND Ø0.201 THREAD 1/4-20 UNC
8	55.500	2.250	RND Ø0.201 THREAD 1/4-20 UNC
9	43.500	2.250	RND Ø0.201 THREAD 1/4-20 UNC
10	37.500	2.250	RND Ø0.201 THREAD 1/4-20 UNC
11	31.500	2.250	RND Ø0.201 THREAD 1/4-20 UNC
12	25.500	2.250	RND Ø0.201 THREAD 1/4-20 UNC
13	19.500	2.250	RND Ø0.201 THREAD 1/4-20 UNC
14	13.500	2.250	RND Ø0.201 THREAD 1/4-20 UNC
15	7.500	2.250	RND Ø0.201 THREAD 1/4-20 UNC
16	1.500	2.250	RND Ø0.201 THREAD 1/4-20 UNC



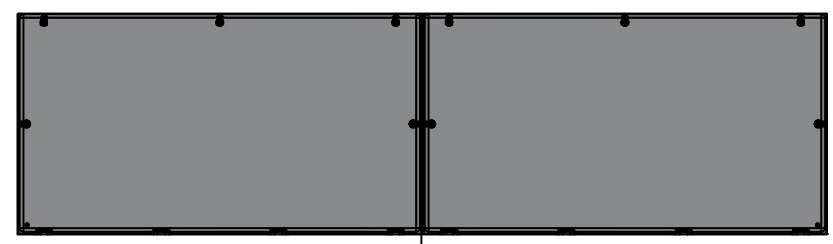
	Description	Status
	Rounded Edge Aluminum Bar 3/8" x 4 1/2"	(NULL)
	Part Number Numéro Pièce	Rev.
	<b>1412BT111005DTBAR5-P</b>	<b>0</b> / 11
		18

This drawing is confidential and must not be reproduced or used without the consent of EXM

Ce dessin est confidentiel et ne doit pas être reproduit ou utilisé sans le consentement de EXM



TOP



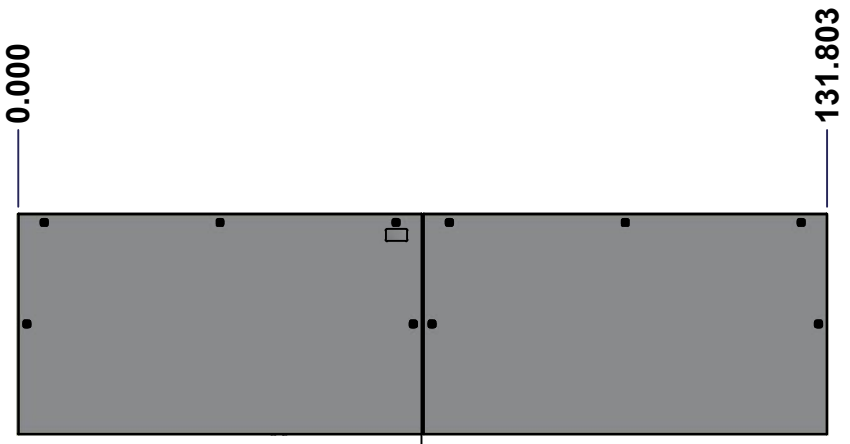
BACK



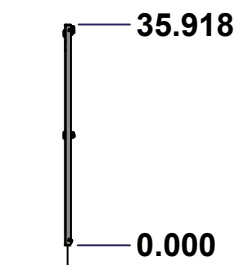
BOTTOM



LEFT

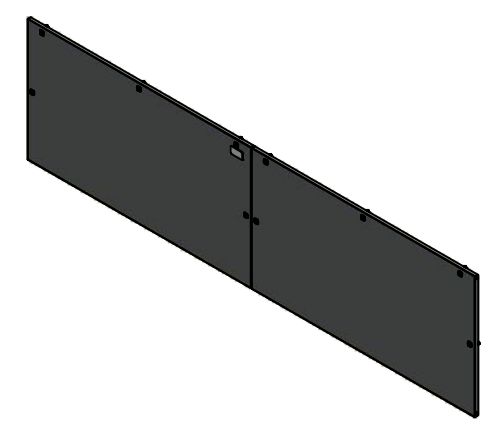


FRONT

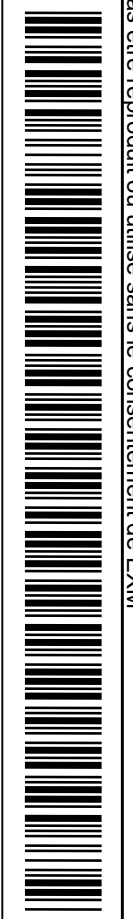


RIGHT

No.	Revisions	Date	By/Par



Isometric View



Tél: (450) 979-4373  
 Fax: (450) 979-4626  
[www.exmweb.com](http://www.exmweb.com)

Flatness  
 Aplatissement  
 Max 3.0mm  
 Projection

Customer Client	Date
Drawn By Dessiné Par BoxCad: BoxCad	Date 10/4/2022
Material Matière 14 Ga Cold Rolled A1008 CS Type B (1.7mm)	
Color Couleur Asa-61 Grey	Finish Fini Smooth
Description 1412BT 36" x 132" Cover	Detail Rev.
Part Number Numéro Pièce 1412BT111005DTC	Rev. 12 0 18

SEE BILL OF MATERIAL ON LAST PAGE

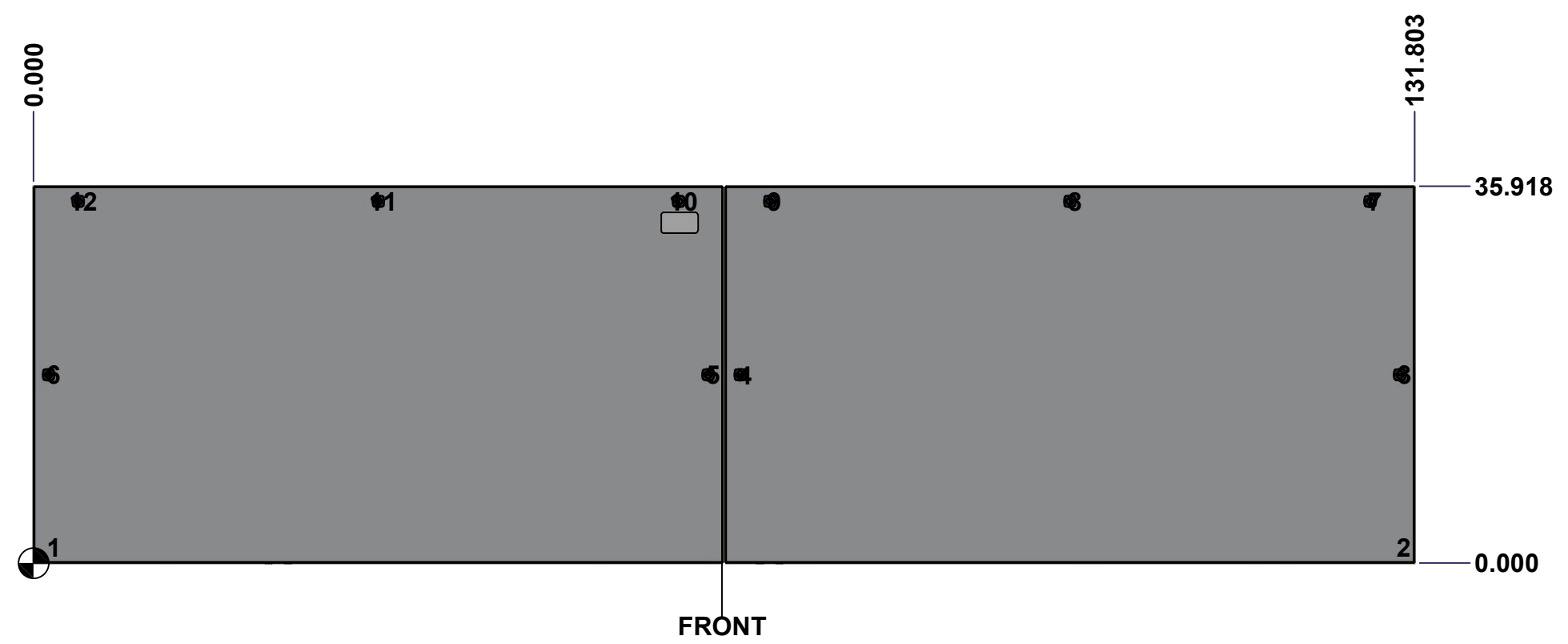
This drawing is confidential and must not be reproduced or used without the consent of Eurobox

Ce dessin est confidentiel et ne doit pas être reproduit ou utilisé sans le consentement de Eurobox

**STANDARD FEATURES ARE NOT LISTED IN THIS HOLE TABLE**

**HOLE TABLE - FRONT VIEW (CUSTOM FEATURE ONLY)**

CUT-OUT	XDIM	YDIM	DESCRIPTION
1	1.500	1.486	GND STUD M6 x 16mm (Inside)
2	130.303	1.486	GND STUD M6 x 16mm (Inside)
3	130.379	17.959	LOCK 880 SCQ4-SL @ 0.0°
4	67.424	17.959	LOCK 880 SCQ4-SL @ 180.0°
5	64.379	17.959	LOCK 880 SCQ4-SL @ 0.0°
6	1.424	17.959	LOCK 880 SCQ4-SL @ 180.0°
7	127.553	34.494	LOCK 880 SCQ4-SL @ 90.0°
8	98.902	34.494	LOCK 880 SCQ4-SL @ 90.0°
9	70.250	34.494	LOCK 880 SCQ4-SL @ 90.0°
10	61.553	34.494	LOCK 880 SCQ4-SL @ 90.0°
11	32.902	34.494	LOCK 880 SCQ4-SL @ 90.0°
12	4.250	34.494	LOCK 880 SCQ4-SL @ 90.0°

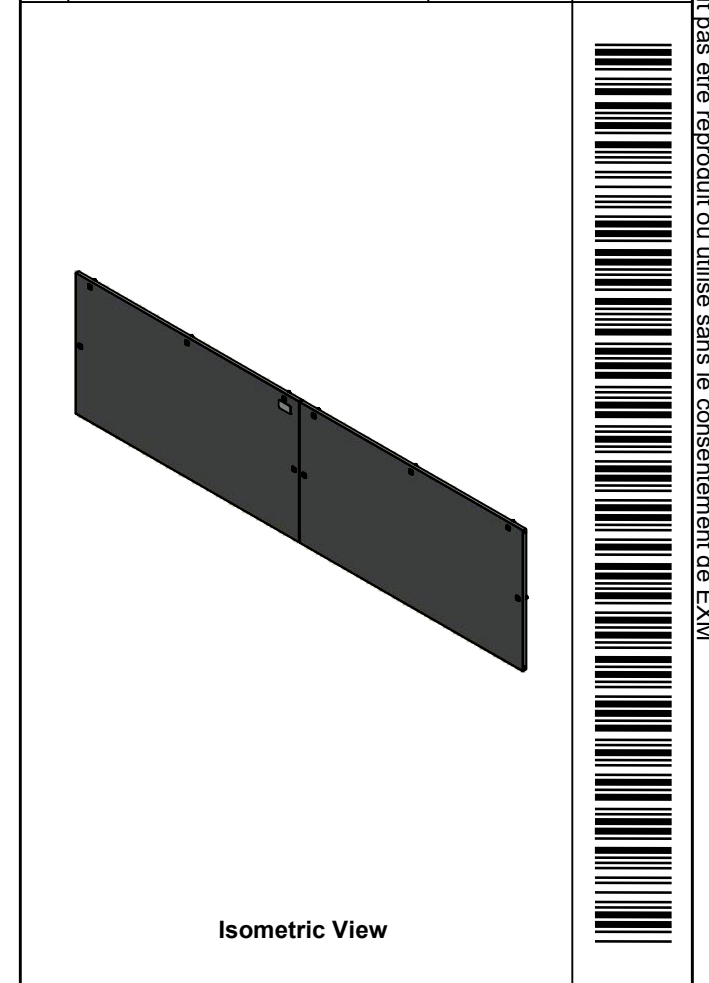


	Description	Status
	1412BT 36" x 132" Cover	(NULL)
	Part Number Numéro Pièce	Rev.
	<b>1412BT111005DTC</b>	<b>0</b>
		13
		18


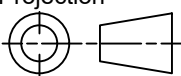
This drawing is confidential and must not be reproduced or used without the consent of EXM

Ce dessin est confidentiel et ne doit pas être reproduit ou utilisé sans le consentement de EXM

No.	Revisions	Date	By/Par



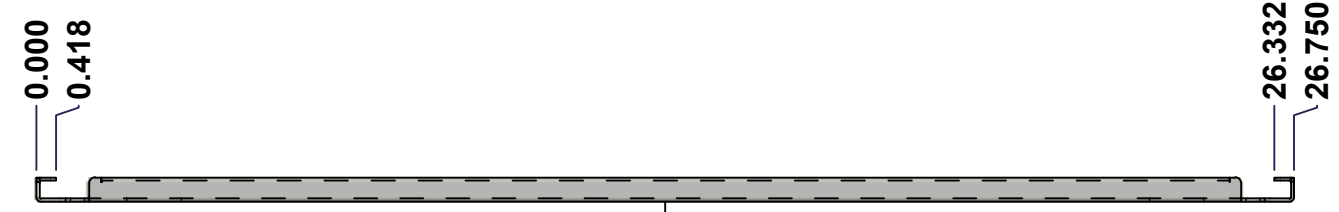
Isometric View

 Tél: (450) 979-4373 Fax: (450) 979-4626 <a href="http://www.exmweb.com">www.exmweb.com</a>		Flatness Aplatissement Max 3.0mm Projection 
Customer Client	Date	
Drawn By Dessiné Par	BoxCad: BoxCad	Date 10/4/2022
Material Matière	14 Ga Cold Rolled A1008 CS Type B (1.7mm)	
Color Couleur	Asa-61 Grey	Finish Fini Smooth
Description		Detail Rev.
1412BT 36" x 132" Cover		
Part Number Numéro Pièce	Rev.	14
<b>1412BT111005DTC</b>	<b>0</b>	18

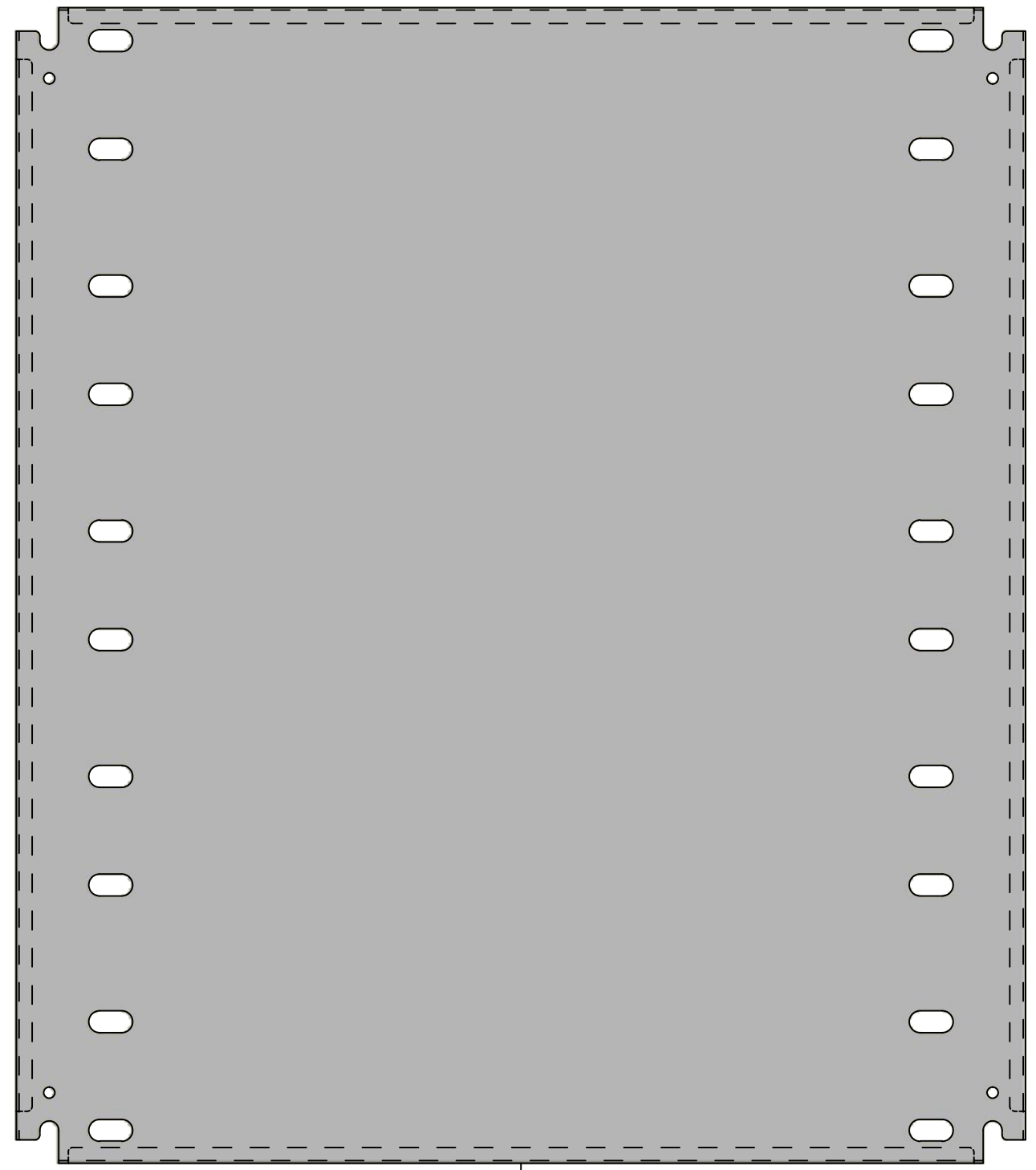
2	1412BT111005DTG	0	1412BT 36" x 132" Cover Gasket
1	STK-P-02400S	0	Powder Paint (Asa-61 Grey / Smooth)
8	STK-K-09800	10	5412 ES Hinge with 2 Captive Hinge Pins
2	STK-Q-16080	0	Ground Stud M6 x 16mm
1	STK-S-00100	0	3.5" x 2" Silver Milar Flexcon Sticker
1	1412BT111005DTC-P	0	1412BT 36" x 66" Left Cover Part
1	1412BT111005DTF-P	0	1412BT 36" x 132" Right Cover Part
10	880 SCQ4-SL	6	5412 ES 1/4 Turn Lock
Qty	Part Name	Rev	Description
Parts List			

This drawing is confidential and must not be reproduced or used without the consent of EXM

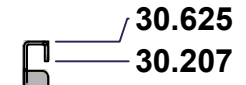
Ce dessin est confidentiel et ne doit pas être reproduit ou utilisé sans le consentement de EXM



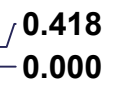
TOP



FRONT

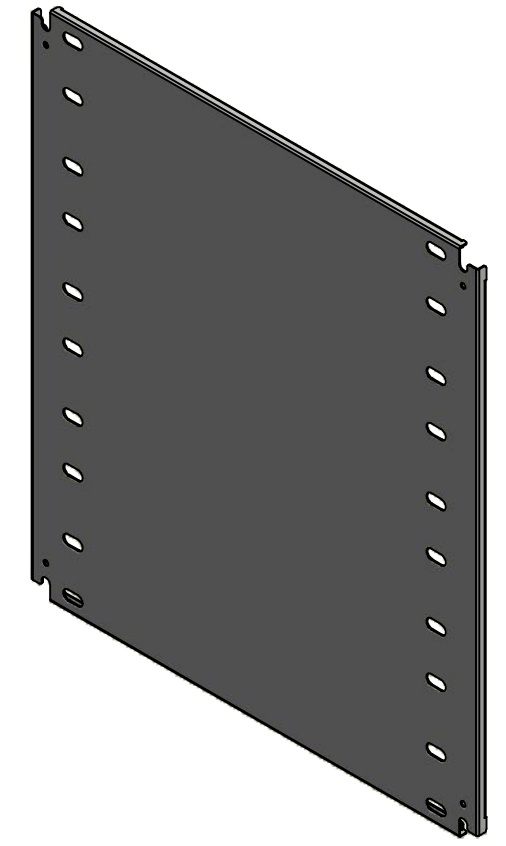


RIGHT



SEE BILL OF MATERIAL ON LAST PAGE

No.	Revisions	Date	By/Par



Isometric View

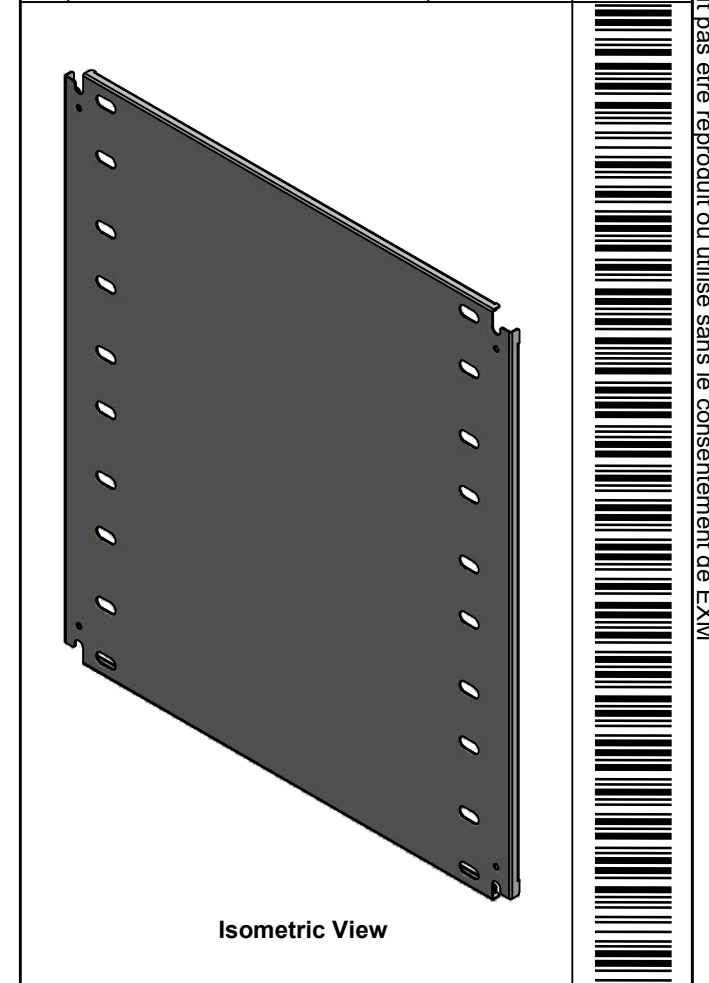



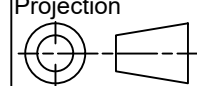
<p>Tél: (450) 979-4373 Fax: (450) 979-4626 <a href="http://www.exmweb.com">www.exmweb.com</a></p>	<p>Flatness Aplatissement</p> <p>Max 3.0mm</p>
	<p>Projection</p>
Customer Client	Date
Drawn By / Dessiné Par: BoxCad: BoxCad	Date: 10/4/2022
Material / Matière: 14 Ga Cold Rolled A1008 CS Type B (1.7mm)	
Color / Couleur: White RAL9003	Finish / Fini: Smooth
Description: 1412BT 30.625" x 26.75" Left Inner Panel	
Part Number / Numéro Pièce: 1412BT111005DTIP1	Detail Rev. / Rev.:
	15 / 18
	0

This drawing is confidential and must not be reproduced or used without the consent of EXM

Ce dessin est confidentiel et ne doit pas être reproduit ou utilisé sans le consentement de EXM

No.	Revisions	Date	By/Par



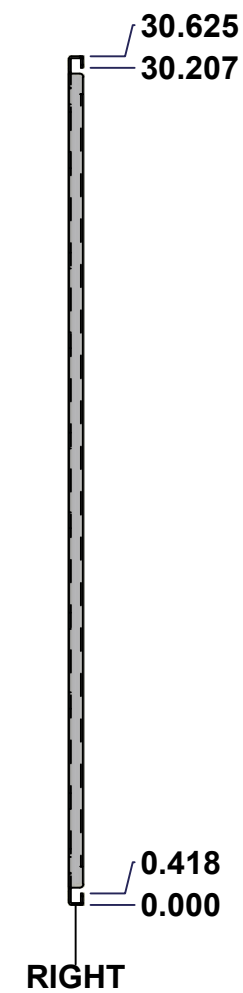
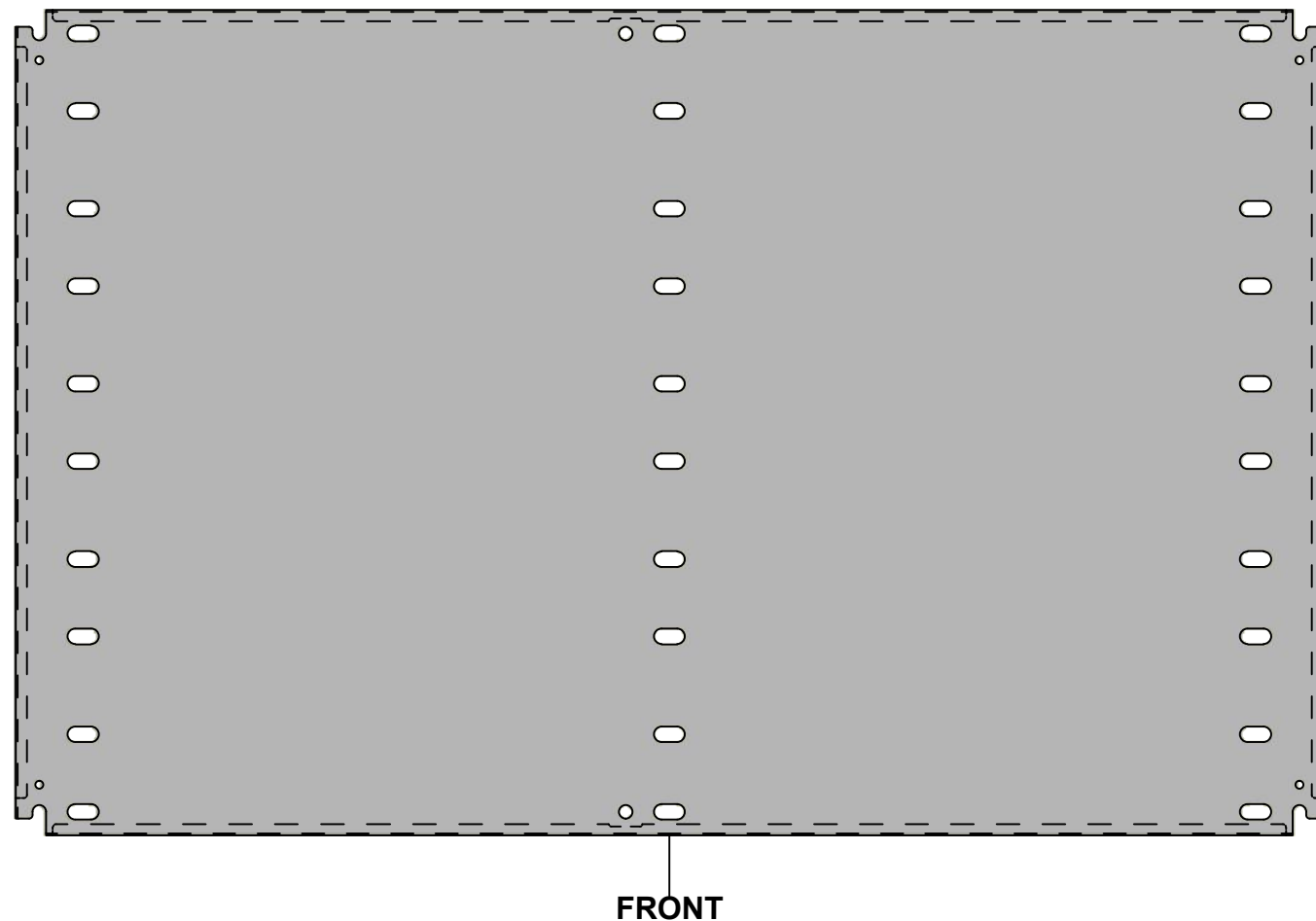
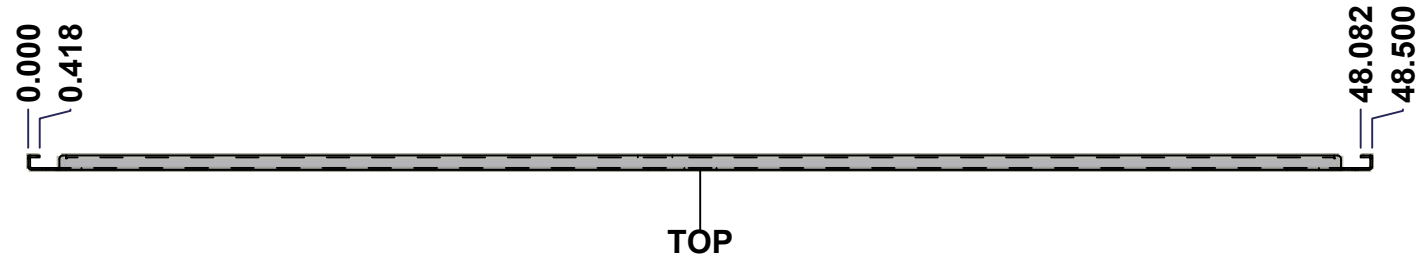
 Tél: (450) 979-4373 Fax: (450) 979-4626 <a href="http://www.exmweb.com">www.exmweb.com</a>		Flatness Aplatissement Max 3.0mm
Customer Client		Projection 
Drawn By / Dessiné Par: BoxCad: BoxCad		Date: 10/4/2022
Material / Matière: 14 Ga Cold Rolled A1008 CS Type B (1.7mm)		
Color / Couleur: White RAL9003	Finish / Fini: Smooth	
Description: 1412BT 30.625" x 26.75" Left Inner Panel		Detail Rev.
Part Number / Numéro Pièce: <b>1412BT111005DTIP1</b>		Rev. 16 <b>0</b>

Qty	Part Number	Rev	Description
1	STK-P-02401S	0	Powder Paint (White / Smooth)
1	1412BT111005DTIP1-P	0	1412BT 30.625" x 132" Left Inner Panel Part
Parts List			



This drawing is confidential and must not be reproduced or used without the consent of EXM

Ce dessin est confidentiel et ne doit pas être reproduit ou utilisé sans le consentement de EXM



No.	Revisions	Date	By/Par

Isometric View

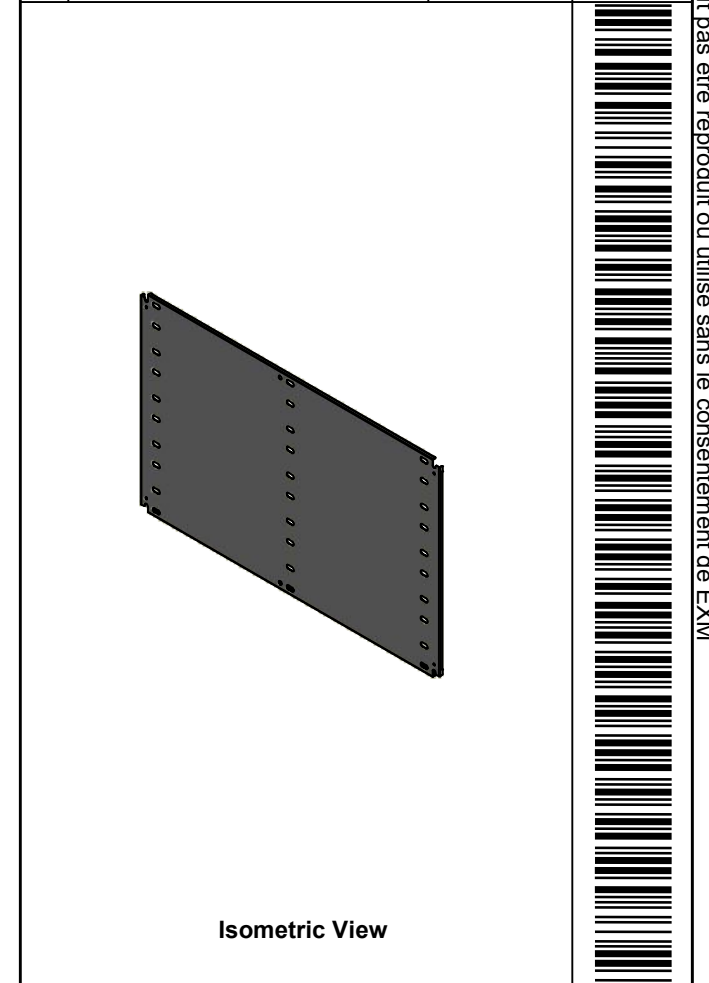
<p>Tél: (450) 979-4373 Fax: (450) 979-4626 <a href="http://www.exmweb.com">www.exmweb.com</a></p>	Flatness Aplatissement	Max 3.0mm
	Projection	
Customer Client	Date	
Drawn By Dessiné Par	BoxCad: BoxCad	Date 10/4/2022
Material Matière	14 Ga Cold Rolled A1008 CS Type B (1.7mm)	
Color Couleur	White RAL9003	Finish Fini Smooth
Description	Detail Rev.	
1412BT 30.625" x 48.5" Right Inner Panel		
Part Number Numéro Pièce	Rev.	17
<b>1412BT111005DTIP2</b>	<b>0</b>	18


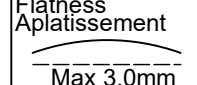
SEE BILL OF MATERIAL ON LAST PAGE

This drawing is confidential and must not be reproduced or used without the consent of EXM

Ce dessin est confidentiel et ne doit pas être reproduit ou utilisé sans le consentement de EXM

No.	Revisions	Date	By/Par



 Tél: (450) 979-4373 Fax: (450) 979-4626 <a href="http://www.exmweb.com">www.exmweb.com</a>		Flatness Aplatissement  Max 3.0mm
Customer Client		Date
Drawn By / Dessiné Par: BoxCad: BoxCad		Date: 10/4/2022
Material / Matière: 14 Ga Cold Rolled A1008 CS Type B (1.7mm)		
Color / Couleur: White RAL9003	Finish / Fini: Smooth	
Description: 1412BT 30.625" x 48.5" Right Inner Panel		Detail Rev.
Part Number / Numéro Pièce: <b>1412BT111005DTIP2</b>		Rev. 18 <b>0</b>

Qty	Part Number	Rev	Description
1	STK-P-02401S	0	Powder Paint (White / Smooth)
1	1412BT111005DTIP2-P	0	1412BT 30.625" x 132" Right Inner Panel Part
Parts List			