

This drawing is confidential and must not be reproduced or used without the consent of EXM

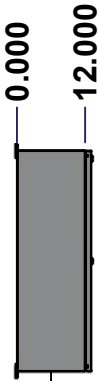
Ce dessin est confidentiel et ne doit pas être reproduit ou utilisé sans le consentement de EXM



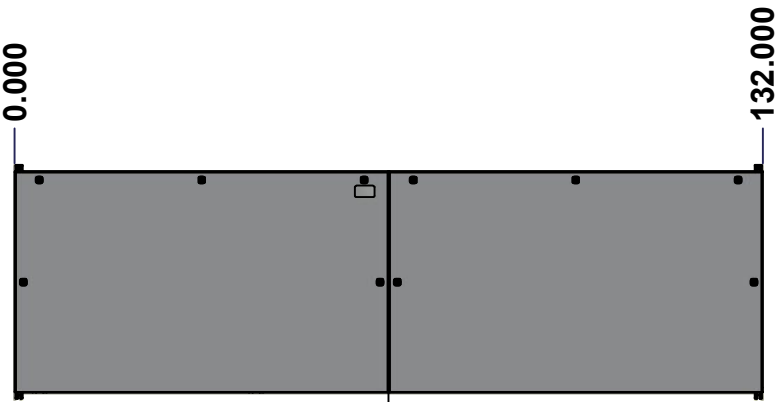
TOP



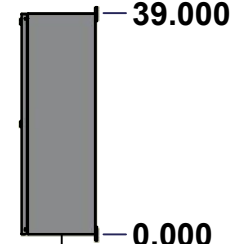
LEFT



LEFT



FRONT

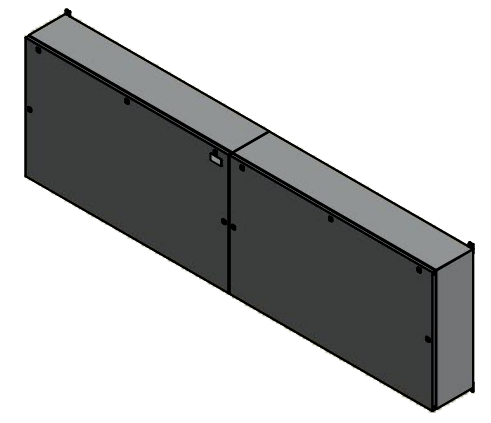


RIGHT



BOTTOM

No.	Revisions	Date	By/Par



Isometric View



Tél: (450) 979-4373
 Fax: (450) 979-4626
www.exmweb.com

Flatness
Aplatissement
Max 3.0mm
Projection

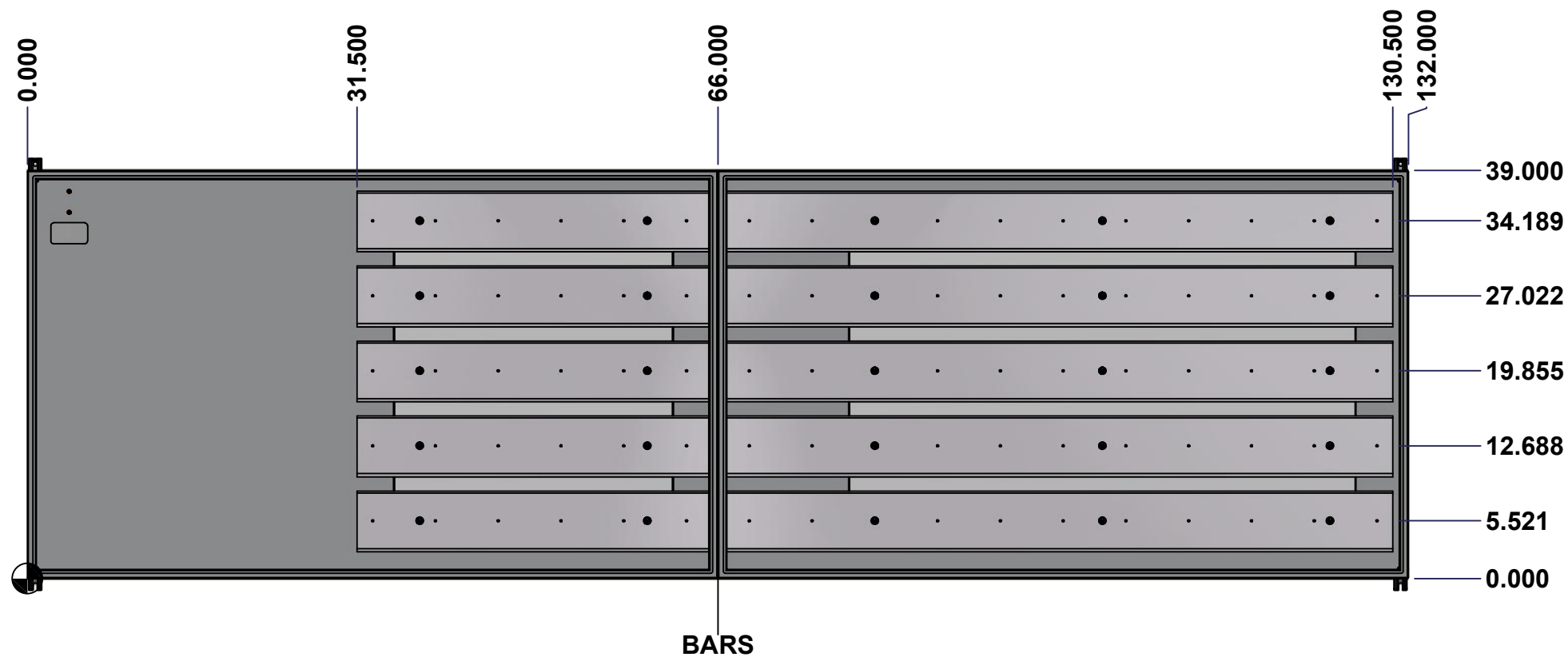
Customer Client	Date
Drawn By Dessiné Par BoxCad: BoxCad	Date 10/5/2022
Material Matière 14 Ga Cold Rolled A1008 CS Type B (1.7mm)	
Color Couleur Asa-61 Grey	Finish Fini Smooth
Description 1412BT 1600A - 5Wires x 132" Assembly	Detail Rev.
Part Number Numéro Pièce 1412BT111605DT	Rev. 0

SEE BILL OF MATERIAL ON LAST PAGE

This drawing is confidential and must not be reproduced or used without the consent of Eurobox

Ce dessin est confidentiel et ne doit pas être reproduit ou utilisé sans le consentement de Eurobox

STANDARD FEATURES ARE NOT LISTED IN THIS HOLE TABLE



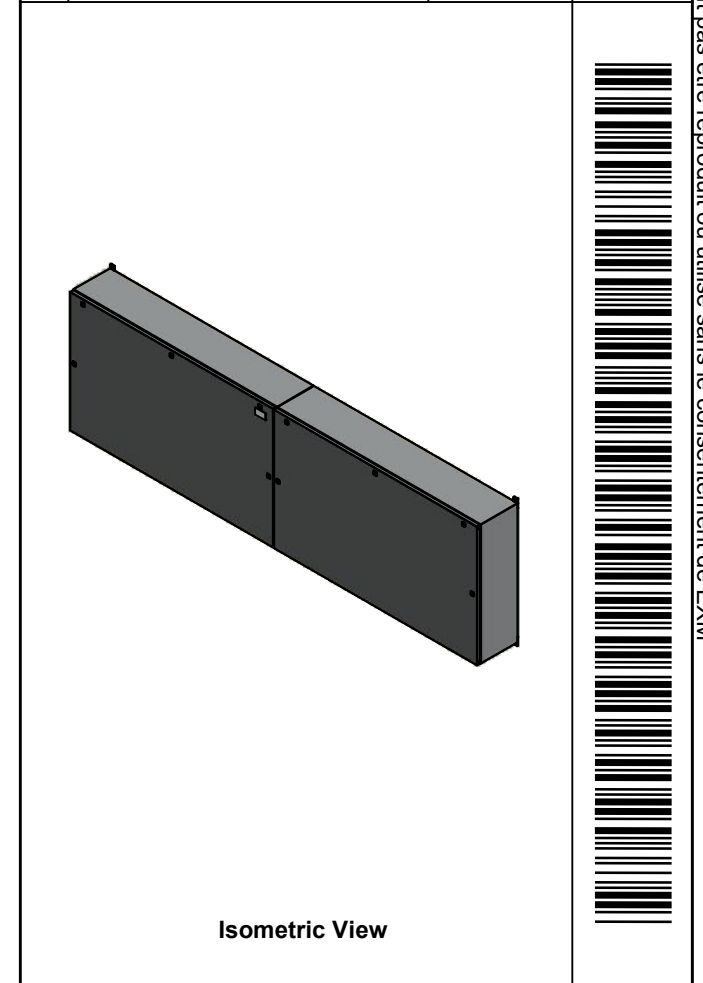
	Description		Status
	1412BT 1600A - 5Wires x 132" Assembly		(NULL)
Part Number		Rev.	2
Numéro Pièce		0	18
1412BT111605DT			

This drawing is confidential and must not be reproduced or used without the consent of EXM

Ce dessin est confidentiel et ne doit pas être reproduit ou utilisé sans le consentement de EXM

NOTE	
ITEM	DESCRIPTION
1	NEMA 4/12 Enclosure
2	C/W Standard ground studs on box and cover
3	W/O Standard door stiffener
4	C/W Special inner panel (Sold separately)
5	C/W Standard inner panel mounting studs

No.	Revisions	Date	By/Par



PACKING		
ITEM	QTY	DESCRIPTION
Cardboard sleeve	2	Top and Bottom
Cardboard strip	2	Between back of enclosure and inner panel
Plastic bag	1	To protect cover surface and inside gasket
Cardboard corner	4	To reinforced for the plastic strap tightening
Plastic strap - Black	2	To Squeeze 2 cardboard sleeve together
Packaging label	3	White label with PN
Plastic strap- Green	2	To secure the enclosure to the wood pallet
Wood Pallet	1	2" deeper and 3" larger than enclosure size

1	885 ESMF1	0	885 ESMF1 Mounting Feet Kit
1	1412BT111605DTIP2	0	1412BT 33.293" x 48.5" Right Inner Panel
1	1412BT111605DTBAR1-P	0	Rounded Edge Aluminum Bar 1/2" x 6"
1	1412BT111605DTBAR2-P	0	Rounded Edge Aluminum Bar 1/2" x 6"
1	1412BT111605DTBAR3-P	0	Rounded Edge Aluminum Bar 1/2" x 6"
1	1412BT111605DTBAR4-P	0	Rounded Edge Aluminum Bar 1/2" x 6"
1	1412BT111605DTBAR5-P	0	Rounded Edge Aluminum Bar 1/2" x 6"
1	1412BT111605DTIP1	0	1412BT 33.293" x 26.75" Left Inner Panel
25	STK-A-67400	0	Buss Bar Insulator Kit
1	STK-K-01800	5	5412 ES Accessory Kit
8	STK-Q-04050-07	7	M6 x 7mm Hexagon Socket Head Machine Screw with Nyseal
35	STK-Q-07310	2	Flange Lock Nut M8
10	STK-Q-07610	8	M8 Plastic Spacer 22.2mm
1	1412BT111605DTB	0	1412BT 39" x 132" x 12" Body
1	1412BT111605DTC	0	1412BT 39" x 132" Cover
Qty	Part Number	Rev	Description
Parts List			

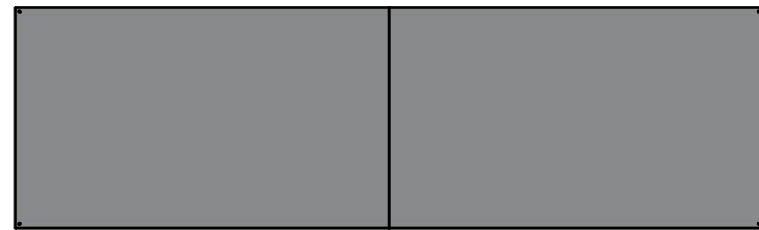
	Tél: (450) 979-4373 Fax: (450) 979-4626 www.exmweb.com	Flatness	Aplatissement	
		Max 3.0mm		
Projection				
Customer	Client	Date		
Drawn By	Dessiné Par	BoxCad: BoxCad	Date 10/5/2022	
Material	Matière 14 Ga Cold Rolled A1008 CS Type B (1.7mm)			
Color	Asa-61 Grey	Finish	Smooth	
Description		Detail Rev.		
1412BT 1600A - 5Wires x 132" Assembly				
Part Number	Rev.	3	18	
Numéro Pièce	0			
1412BT111605DT				

This drawing is confidential and must not be reproduced or used without the consent of EXM

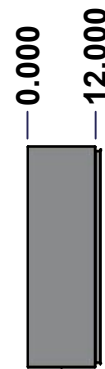
Ce dessin est confidentiel et ne doit pas être reproduit ou utilisé sans le consentement de EXM



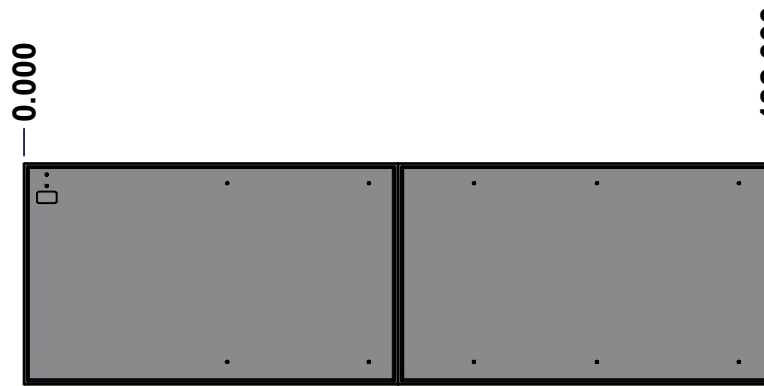
TOP



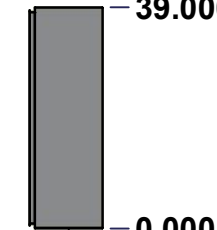
BACK



LEFT



FRONT

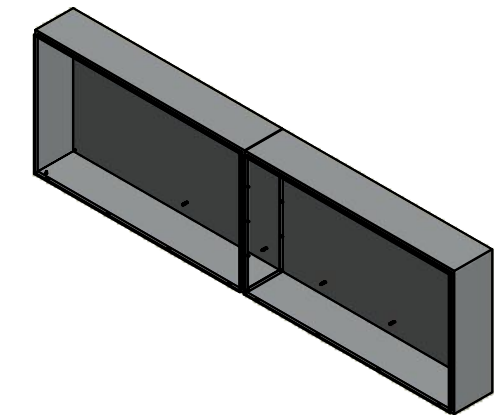


RIGHT

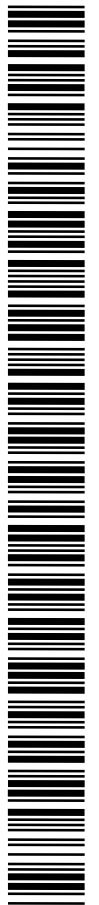



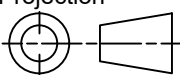
BOTTOM

No.	Revisions	Date	By/Par



Isometric View



 Tél: (450) 979-4373 Fax: (450) 979-4626 www.exmweb.com		Flatness Aplatissement Max 3.0mm Projection 
Customer Client	Date	
Drawn By Dessiné Par	BoxCad: BoxCad	Date 10/5/2022
Material Matière	14 Ga Cold Rolled A1008 CS Type B (1.7mm)	
Color Couleur	Asa-61 Grey	Finish Fini Smooth
Description	Detail Rev.	
1412BT 39" x 132" x 12" Body		
Part Number Numéro Pièce	Rev.	4
1412BT111605DTB	0	18

SEE BILL OF MATERIAL ON LAST PAGE

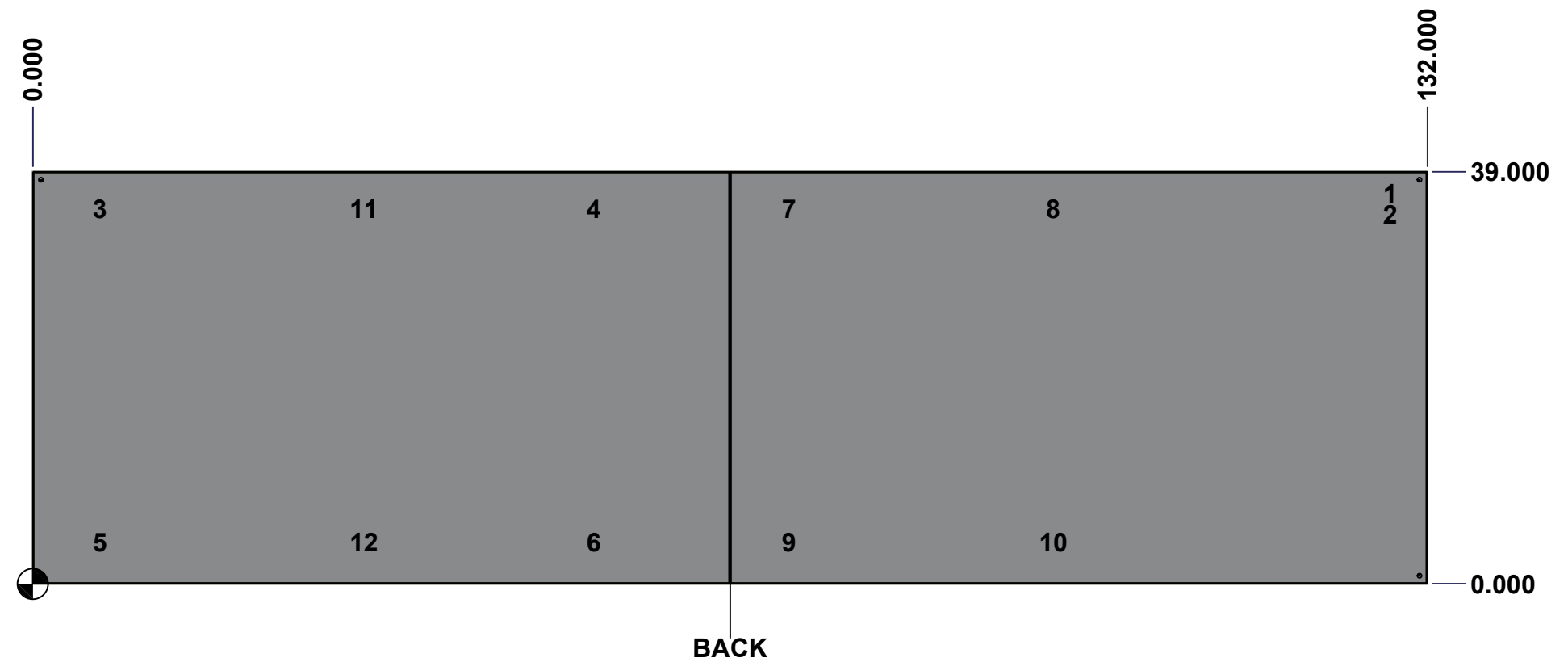
This drawing is confidential and must not be reproduced or used without the consent of Eurobox

Ce dessin est confidentiel et ne doit pas être reproduit ou utilisé sans le consentement de Eurobox

STANDARD FEATURES ARE NOT LISTED IN THIS HOLE TABLE

HOLE TABLE - BACK VIEW (CUSTOM FEATURE ONLY)

CUT-OUT	XDIM	YDIM	DESCRIPTION
1	128.000	37.000	GND STUD M8 x 35mm (Inside)
2	128.000	35.000	GND STUD M8 x 35mm (Inside)
3	5.875	35.500	IP STUD M8 x 35mm (Inside)
4	52.625	35.500	IP STUD M8 x 35mm (Inside)
5	5.875	3.957	IP STUD M8 x 35mm (Inside)
6	52.625	3.957	IP STUD M8 x 35mm (Inside)
7	71.125	35.500	IP STUD M8 x 35mm (Inside)
8	96.125	35.500	IP STUD M8 x 35mm (Inside)
9	71.125	3.957	IP STUD M8 x 35mm (Inside)
10	96.125	3.957	IP STUD M8 x 35mm (Inside)
11	30.875	35.500	IP STUD M8 x 35mm (Inside)
12	30.875	3.957	IP STUD M8 x 35mm (Inside)

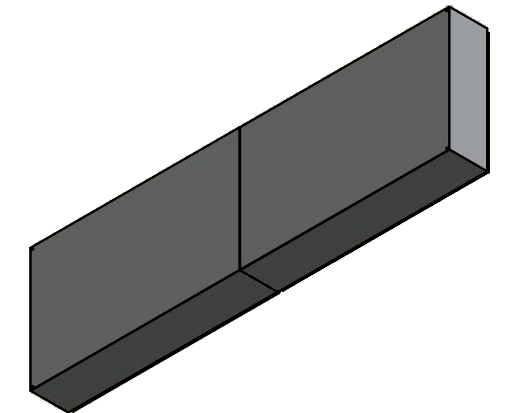


	Description	Status	
	1412BT 39" x 132" x 12" Body	(NULL)	
	Part Number Numéro Pièce	Rev.	
	1412BT111605DTB	0	5 18

This drawing is confidential and must not be reproduced or used without the consent of EXM

Ce dessin est confidentiel et ne doit pas être reproduit ou utilisé sans le consentement de EXM

No.	Revisions	Date	By/Par



Isometric View



Tél: (450) 979-4373
 Fax: (450) 979-4626
www.exmweb.com

Flatness
Aplatissement
Max 3.0mm
Projection

Customer Client	Date
Drawn By Dessiné Par BoxCad: BoxCad	Date 10/5/2022
Material Matière 14 Ga Cold Rolled A1008 CS Type B (1.7mm)	

Color Couleur	Asa-61 Grey	Finish Fini	Smooth
------------------	-------------	----------------	--------

Description	Detail Rev.
1412BT 39" x 132" x 12" Body	

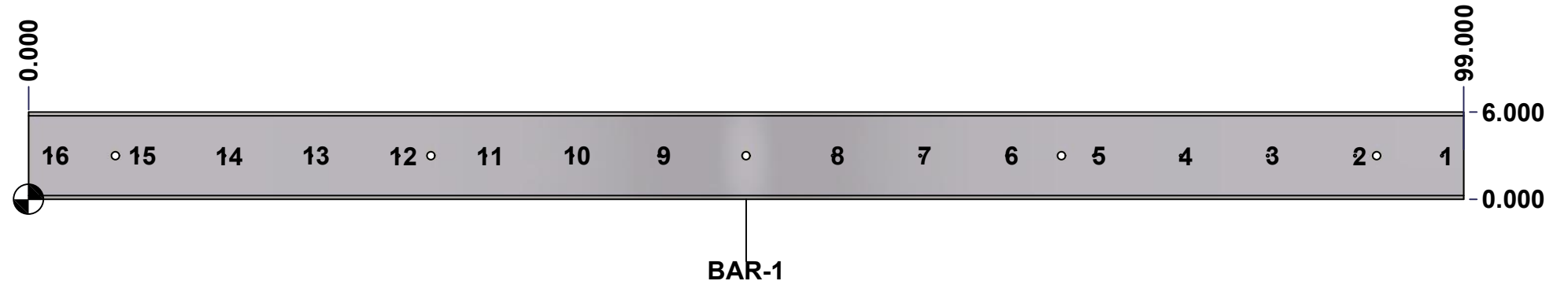
Part Number Numéro Pièce	Rev.	6
1412BT111605DTB	0	18

Qty	Part Number	Rev	Description
1	STK-P-02400S	0	Powder Paint (Asa-61 Grey / Smooth)
1	1412BT111605DTB-P	0	1412BT 39" x 132" x 12" Left Body Part
1	1412BT111605DTE-P	0	1412BT 39" x 132" x 12" Right Body Part
1	STK-G-00701	0	1" x 1/4" Self-Adhesive Neoprene Gasket
10	STK-Q-00260	1	M6 x 13mm Carriage Bolt
10	STK-Q-07220	1	M6 Nylon Insert Lock Nut
12	STK-Q-16005	1	Stud M8 x 35 (No Paint Cap Required)
2	STK-Q-16080	0	Ground Stud M6 x 16mm
1	STK-S-00100	0	3.5" x 2" Silver Milar Flexcon Sticker
Parts List			

This drawing is confidential and must not be reproduced or used without the consent of Eurobox

Ce dessin est confidentiel et ne doit pas être reproduit ou utilisé sans le consentement de Eurobox

STANDARD FEATURES ARE NOT LISTED IN THIS HOLE TABLE			
HOLE TABLE - FRONT VIEW (CUSTOM FEATURE ONLY)			
CUT-OUT	XDIM	YDIM	DESCRIPTION
1	97.500	3.000	RND Ø0.201 THREAD 1/4-20 UNC
2	91.500	3.000	RND Ø0.201 THREAD 1/4-20 UNC
3	85.500	3.000	RND Ø0.201 THREAD 1/4-20 UNC
4	79.500	3.000	RND Ø0.201 THREAD 1/4-20 UNC
5	73.500	3.000	RND Ø0.201 THREAD 1/4-20 UNC
6	67.500	3.000	RND Ø0.201 THREAD 1/4-20 UNC
7	61.500	3.000	RND Ø0.201 THREAD 1/4-20 UNC
8	55.500	3.000	RND Ø0.201 THREAD 1/4-20 UNC
9	43.500	3.000	RND Ø0.201 THREAD 1/4-20 UNC
10	37.500	3.000	RND Ø0.201 THREAD 1/4-20 UNC
11	31.500	3.000	RND Ø0.201 THREAD 1/4-20 UNC
12	25.500	3.000	RND Ø0.201 THREAD 1/4-20 UNC
13	19.500	3.000	RND Ø0.201 THREAD 1/4-20 UNC
14	13.500	3.000	RND Ø0.201 THREAD 1/4-20 UNC
15	7.500	3.000	RND Ø0.201 THREAD 1/4-20 UNC
16	1.500	3.000	RND Ø0.201 THREAD 1/4-20 UNC

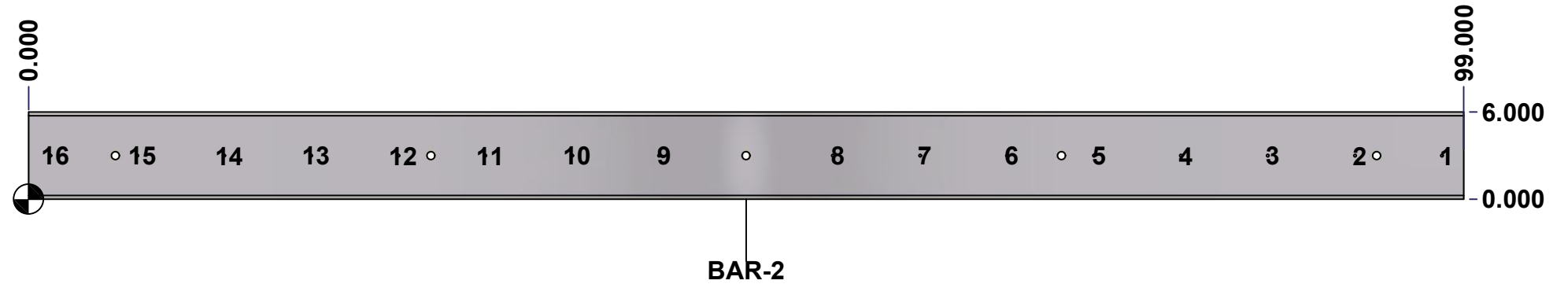


	Description	Status
	Rounded Edge Aluminum Bar 1/2" x 6"	(NULL)
	Part Number Numéro Pièce	Rev.
	1412BT111605DTBAR1-P	0 / 7
		18

This drawing is confidential and must not be reproduced or used without the consent of Eurobex

Ce dessin est confidentiel et ne doit pas être reproduit ou utilisé sans le consentement de Eurobex

STANDARD FEATURES ARE NOT LISTED IN THIS HOLE TABLE			
HOLE TABLE - FRONT VIEW (CUSTOM FEATURE ONLY)			
CUT-OUT	XDIM	YDIM	DESCRIPTION
1	97.500	3.000	RND Ø0.201 THREAD 1/4-20 UNC
2	91.500	3.000	RND Ø0.201 THREAD 1/4-20 UNC
3	85.500	3.000	RND Ø0.201 THREAD 1/4-20 UNC
4	79.500	3.000	RND Ø0.201 THREAD 1/4-20 UNC
5	73.500	3.000	RND Ø0.201 THREAD 1/4-20 UNC
6	67.500	3.000	RND Ø0.201 THREAD 1/4-20 UNC
7	61.500	3.000	RND Ø0.201 THREAD 1/4-20 UNC
8	55.500	3.000	RND Ø0.201 THREAD 1/4-20 UNC
9	43.500	3.000	RND Ø0.201 THREAD 1/4-20 UNC
10	37.500	3.000	RND Ø0.201 THREAD 1/4-20 UNC
11	31.500	3.000	RND Ø0.201 THREAD 1/4-20 UNC
12	25.500	3.000	RND Ø0.201 THREAD 1/4-20 UNC
13	19.500	3.000	RND Ø0.201 THREAD 1/4-20 UNC
14	13.500	3.000	RND Ø0.201 THREAD 1/4-20 UNC
15	7.500	3.000	RND Ø0.201 THREAD 1/4-20 UNC
16	1.500	3.000	RND Ø0.201 THREAD 1/4-20 UNC

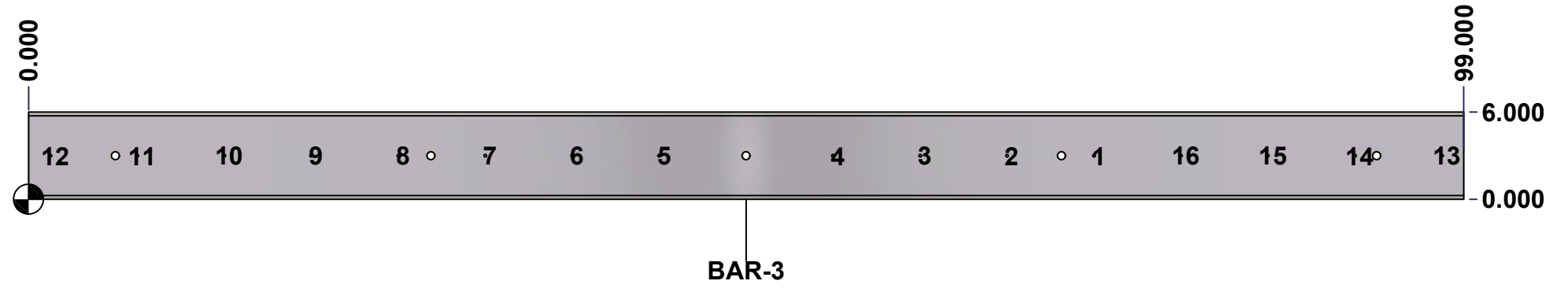


	Description	Status
	Rounded Edge Aluminum Bar 1/2" x 6"	(NULL)
	Part Number Numéro Pièce	Rev.
	1412BT111605DTBAR2-P	0 / 8
		18

This drawing is confidential and must not be reproduced or used without the consent of Eurobox

Ce dessin est confidentiel et ne doit pas être reproduit ou utilisé sans le consentement de Eurobox

STANDARD FEATURES ARE NOT LISTED IN THIS HOLE TABLE			
HOLE TABLE - FRONT VIEW (CUSTOM FEATURE ONLY)			
CUT-OUT	XDIM	YDIM	DESCRIPTION
1	73.500	3.000	RND Ø0.201 THREAD 1/4-20 UNC
2	67.500	3.000	RND Ø0.201 THREAD 1/4-20 UNC
3	61.500	3.000	RND Ø0.201 THREAD 1/4-20 UNC
4	55.500	3.000	RND Ø0.201 THREAD 1/4-20 UNC
5	43.500	3.000	RND Ø0.201 THREAD 1/4-20 UNC
6	37.500	3.000	RND Ø0.201 THREAD 1/4-20 UNC
7	31.500	3.000	RND Ø0.201 THREAD 1/4-20 UNC
8	25.500	3.000	RND Ø0.201 THREAD 1/4-20 UNC
9	19.500	3.000	RND Ø0.201 THREAD 1/4-20 UNC
10	13.500	3.000	RND Ø0.201 THREAD 1/4-20 UNC
11	7.500	3.000	RND Ø0.201 THREAD 1/4-20 UNC
12	1.500	3.000	RND Ø0.201 THREAD 1/4-20 UNC
13	97.500	3.000	RND Ø0.201 THREAD 1/4-20 UNC
14	91.500	3.000	RND Ø0.201 THREAD 1/4-20 UNC
15	85.500	3.000	RND Ø0.201 THREAD 1/4-20 UNC
16	79.500	3.000	RND Ø0.201 THREAD 1/4-20 UNC

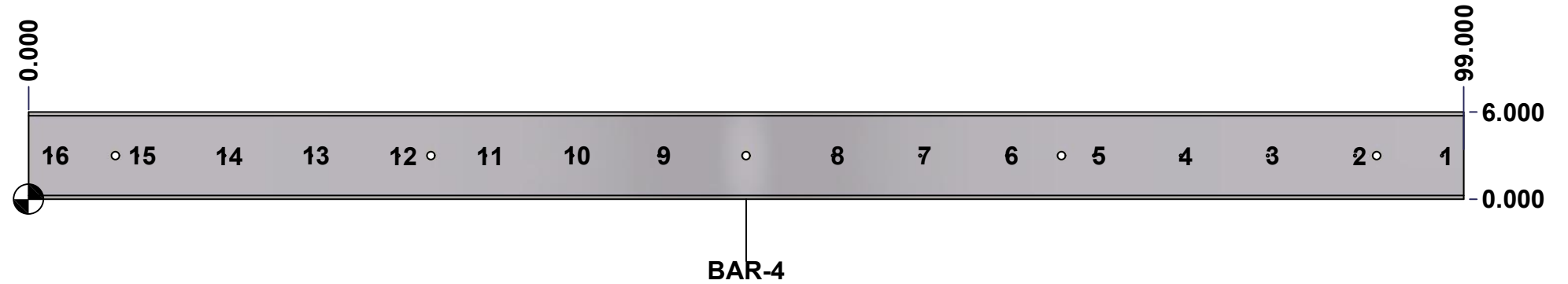


	Description	Status
	Rounded Edge Aluminum Bar 1/2" x 6"	(NULL)
	Part Number Numéro Pièce	Rev.
	1412BT111605DTBAR3-P	0 / 9
		18

This drawing is confidential and must not be reproduced or used without the consent of Eurobex

Ce dessin est confidentiel et ne doit pas être reproduit ou utilisé sans le consentement de Eurobex

STANDARD FEATURES ARE NOT LISTED IN THIS HOLE TABLE			
HOLE TABLE - FRONT VIEW (CUSTOM FEATURE ONLY)			
CUT-OUT	XDIM	YDIM	DESCRIPTION
1	97.500	3.000	RND Ø0.201 THREAD 1/4-20 UNC
2	91.500	3.000	RND Ø0.201 THREAD 1/4-20 UNC
3	85.500	3.000	RND Ø0.201 THREAD 1/4-20 UNC
4	79.500	3.000	RND Ø0.201 THREAD 1/4-20 UNC
5	73.500	3.000	RND Ø0.201 THREAD 1/4-20 UNC
6	67.500	3.000	RND Ø0.201 THREAD 1/4-20 UNC
7	61.500	3.000	RND Ø0.201 THREAD 1/4-20 UNC
8	55.500	3.000	RND Ø0.201 THREAD 1/4-20 UNC
9	43.500	3.000	RND Ø0.201 THREAD 1/4-20 UNC
10	37.500	3.000	RND Ø0.201 THREAD 1/4-20 UNC
11	31.500	3.000	RND Ø0.201 THREAD 1/4-20 UNC
12	25.500	3.000	RND Ø0.201 THREAD 1/4-20 UNC
13	19.500	3.000	RND Ø0.201 THREAD 1/4-20 UNC
14	13.500	3.000	RND Ø0.201 THREAD 1/4-20 UNC
15	7.500	3.000	RND Ø0.201 THREAD 1/4-20 UNC
16	1.500	3.000	RND Ø0.201 THREAD 1/4-20 UNC

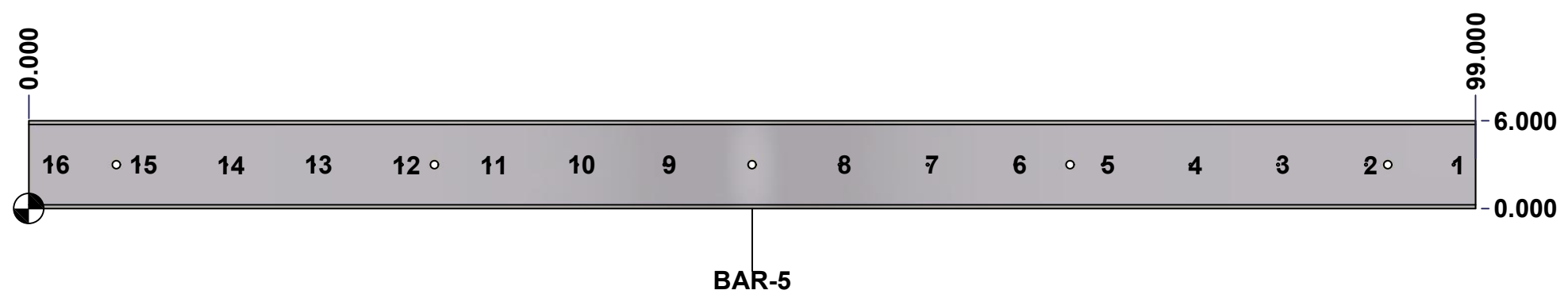


	Description	Status	
	Rounded Edge Aluminum Bar 1/2" x 6"	(NULL)	
	Part Number Numéro Pièce	Rev.	10
	1412BT111605DTBAR4-P	0	18

This drawing is confidential and must not be reproduced or used without the consent of Eurobex

Ce dessin est confidentiel et ne doit pas être reproduit ou utilisé sans le consentement de Eurobex

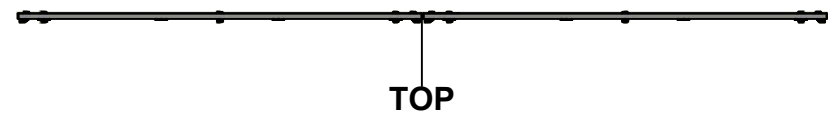
STANDARD FEATURES ARE NOT LISTED IN THIS HOLE TABLE			
HOLE TABLE - FRONT VIEW (CUSTOM FEATURE ONLY)			
CUT-OUT	XDIM	YDIM	DESCRIPTION
1	97.500	3.000	RND Ø0.201 THREAD 1/4-20 UNC
2	91.500	3.000	RND Ø0.201 THREAD 1/4-20 UNC
3	85.500	3.000	RND Ø0.201 THREAD 1/4-20 UNC
4	79.500	3.000	RND Ø0.201 THREAD 1/4-20 UNC
5	73.500	3.000	RND Ø0.201 THREAD 1/4-20 UNC
6	67.500	3.000	RND Ø0.201 THREAD 1/4-20 UNC
7	61.500	3.000	RND Ø0.201 THREAD 1/4-20 UNC
8	55.500	3.000	RND Ø0.201 THREAD 1/4-20 UNC
9	43.500	3.000	RND Ø0.201 THREAD 1/4-20 UNC
10	37.500	3.000	RND Ø0.201 THREAD 1/4-20 UNC
11	31.500	3.000	RND Ø0.201 THREAD 1/4-20 UNC
12	25.500	3.000	RND Ø0.201 THREAD 1/4-20 UNC
13	19.500	3.000	RND Ø0.201 THREAD 1/4-20 UNC
14	13.500	3.000	RND Ø0.201 THREAD 1/4-20 UNC
15	7.500	3.000	RND Ø0.201 THREAD 1/4-20 UNC
16	1.500	3.000	RND Ø0.201 THREAD 1/4-20 UNC



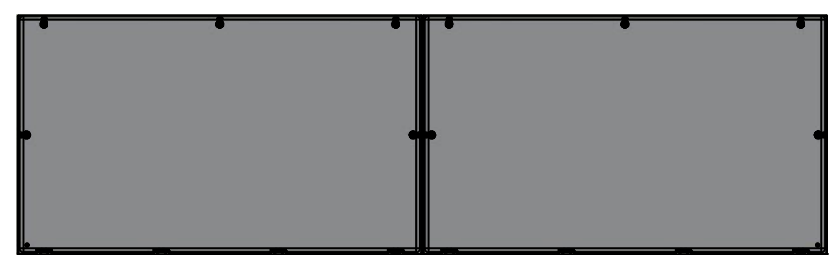
	Description	Status	
	Rounded Edge Aluminum Bar 1/2" x 6"	(NULL)	
	Part Number Numéro Pièce	Rev.	11
	1412BT111605DTBAR5-P	0	18

This drawing is confidential and must not be reproduced or used without the consent of EXM

Ce dessin est confidentiel et ne doit pas être reproduit ou utilisé sans le consentement de EXM



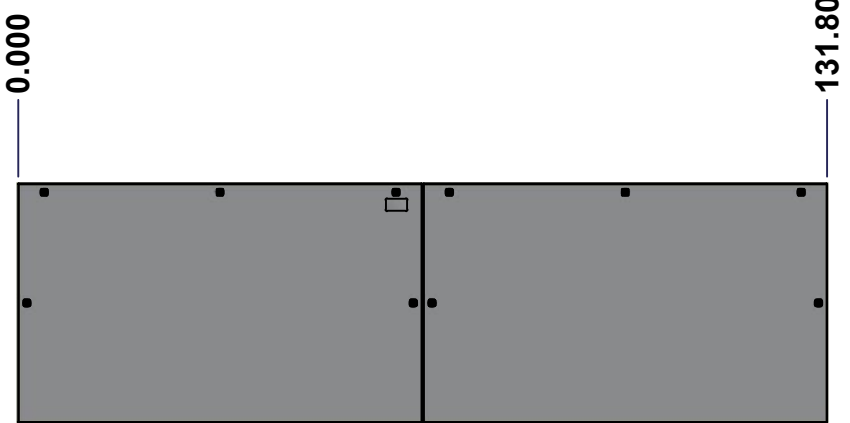
TOP



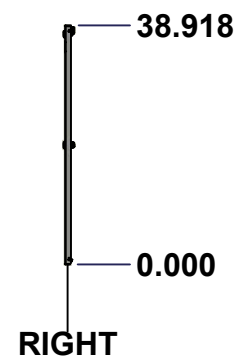
BACK



LEFT



FRONT

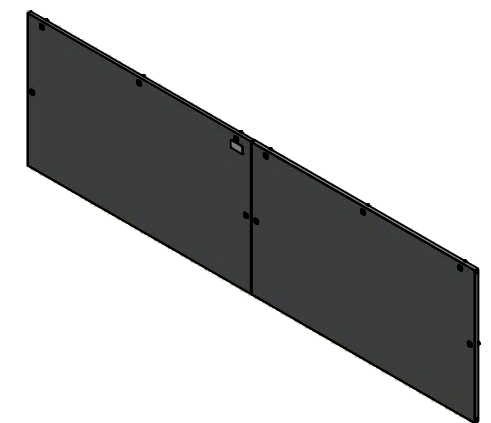


RIGHT



BOTTOM

No.	Revisions	Date	By/Par



Isometric View



Tél: (450) 979-4373
 Fax: (450) 979-4626
www.exmweb.com

Flatness
Aplatissement
Max 3.0mm
Projection

Customer Client	Date
Drawn By Dessiné Par BoxCad: BoxCad	Date 10/5/2022
Material Matière 14 Ga Cold Rolled A1008 CS Type B (1.7mm)	

Color Couleur Asa-61 Grey	Finish Fini Smooth
------------------------------	-----------------------

Description 1412BT 39" x 132" Cover	Detail Rev.
--	-------------

Part Number Numéro Pièce 1412BT111605DTC	Rev. 0	12 / 18
---	--------	---------

SEE BILL OF MATERIAL ON LAST PAGE

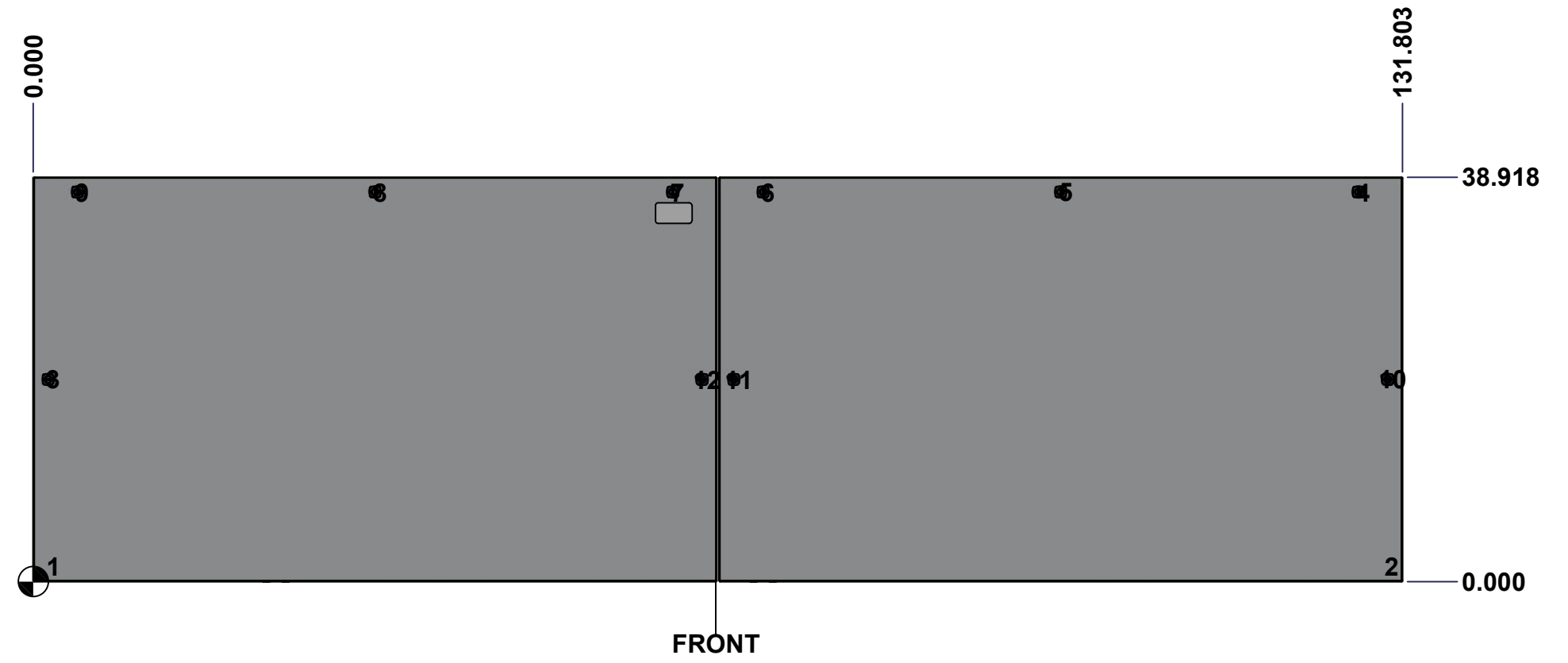
This drawing is confidential and must not be reproduced or used without the consent of Eurobox

Ce dessin est confidentiel et ne doit pas être reproduit ou utilisé sans le consentement de Eurobox

STANDARD FEATURES ARE NOT LISTED IN THIS HOLE TABLE

HOLE TABLE - FRONT VIEW (CUSTOM FEATURE ONLY)

CUT-OUT	XDIM	YDIM	DESCRIPTION
1	1.500	1.486	GND STUD M6 x 16mm (Inside)
2	130.303	1.486	GND STUD M6 x 16mm (Inside)
3	1.424	19.459	LOCK 880 SCQ4-SL @ 180.0°
4	127.553	37.494	LOCK 880 SCQ4-SL @ 90.0°
5	98.902	37.494	LOCK 880 SCQ4-SL @ 90.0°
6	70.250	37.494	LOCK 880 SCQ4-SL @ 90.0°
7	61.553	37.494	LOCK 880 SCQ4-SL @ 90.0°
8	32.902	37.494	LOCK 880 SCQ4-SL @ 90.0°
9	4.250	37.494	LOCK 880 SCQ4-SL @ 90.0°
10	130.379	19.459	LOCK 880 SCQ4-SL @ 0.0°
11	67.424	19.459	LOCK 880 SCQ4-SL @ 180.0°
12	64.379	19.459	LOCK 880 SCQ4-SL @ 0.0°

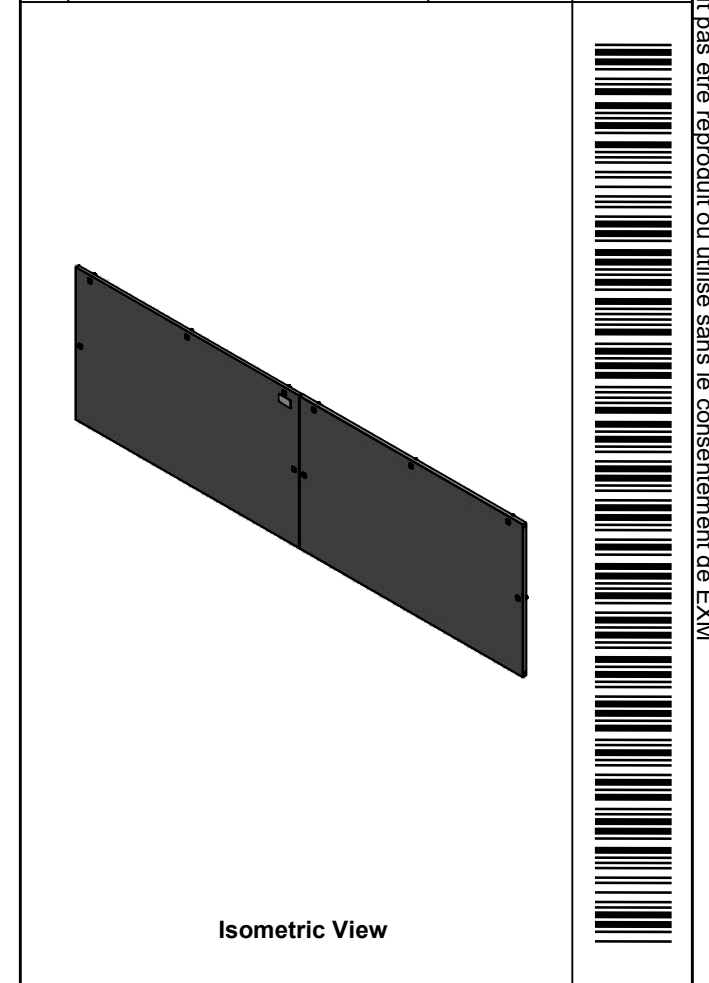



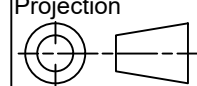
	Description	Status
	1412BT 39" x 132" Cover	(NULL)
	Part Number Numéro Pièce	Rev.
	1412BT111605DTC	0
		13
		18

This drawing is confidential and must not be reproduced or used without the consent of EXM

Ce dessin est confidentiel et ne doit pas être reproduit ou utilisé sans le consentement de EXM

No.	Revisions	Date	By/Par



 Tél: (450) 979-4373 Fax: (450) 979-4626 www.exmweb.com	Flatness Aplatissement	Max 3.0mm
	Projection	
Customer Client	Date	
Drawn By Dessiné Par	BoxCad: BoxCad	Date 10/5/2022
Material Matière	14 Ga Cold Rolled A1008 CS Type B (1.7mm)	
Color Couleur	Asa-61 Grey	Finish Fini Smooth
Description	Detail Rev.	
1412BT 39" x 132" Cover		
Part Number Numéro Pièce	Rev. 0	14 / 18
1412BT111605DTC		

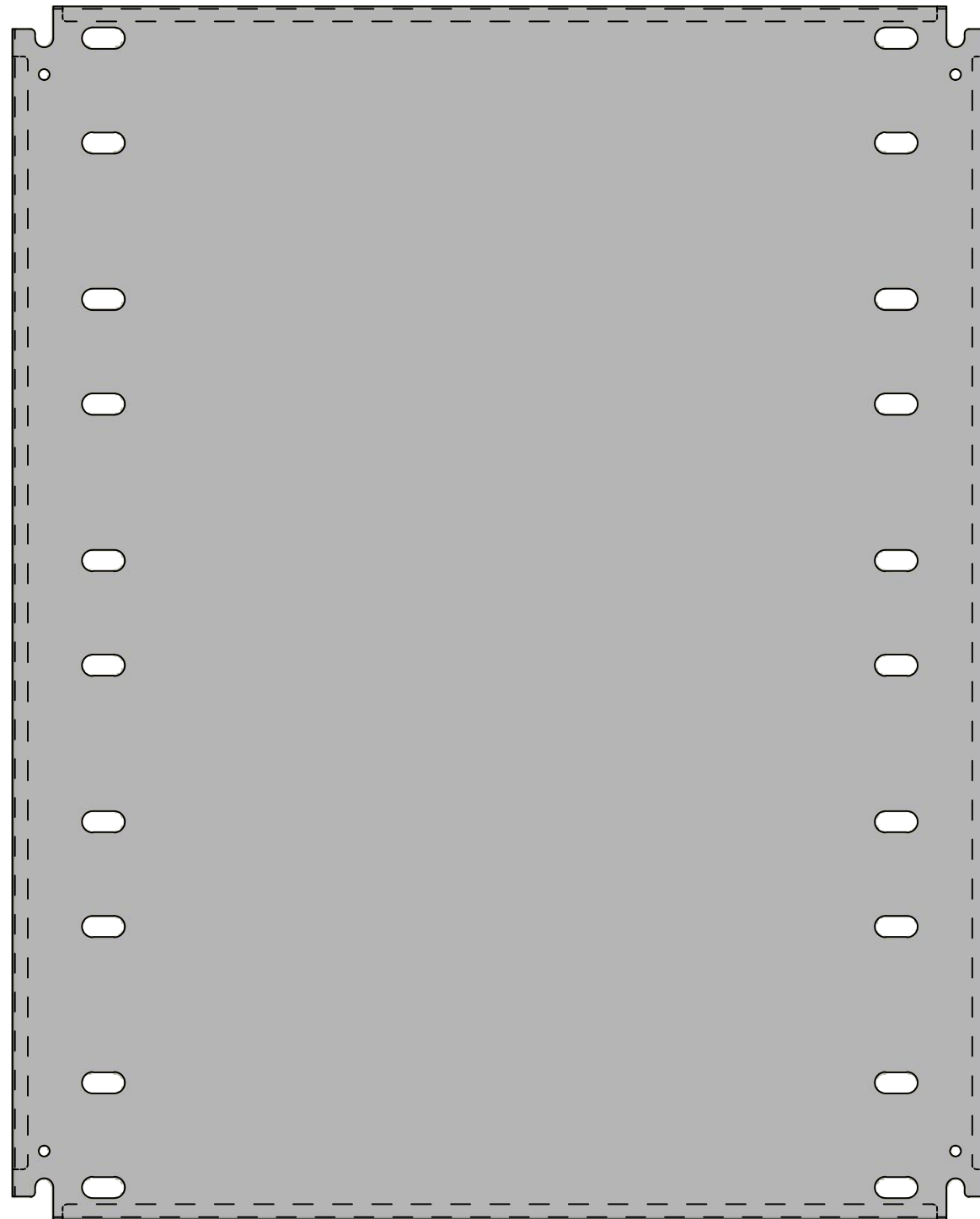
2	1412BT111605DTG	0	1412BT 39" x 132" Cover Gasket
1	STK-P-02400S	0	Powder Paint (Asa-61 Grey / Smooth)
8	STK-K-09800	10	5412 ES Hinge with 2 Captive Hinge Pins
2	STK-Q-16080	0	Ground Stud M6 x 16mm
1	STK-S-00100	0	3.5" x 2" Silver Milar Flexcon Sticker
1	1412BT111605DTC-P	0	1412BT 39" x 66" Left Cover Part
1	1412BT111605DTF-P	0	1412BT 39" x 132" Right Cover Part
10	880 SCQ4-SL	6	5412 ES 1/4 Turn Lock
Qty	Part Name	Rev	Description
Parts List			

This drawing is confidential and must not be reproduced or used without the consent of EXM

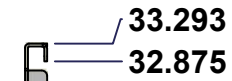
Ce dessin est confidentiel et ne doit pas être reproduit ou utilisé sans le consentement de EXM



TOP



FRONT

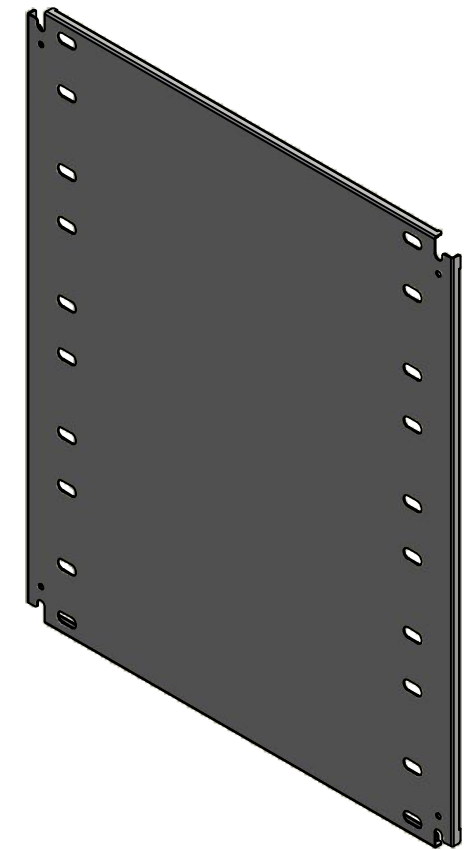


RIGHT



SEE BILL OF MATERIAL ON LAST PAGE

No.	Revisions	Date	By/Par



Isometric View

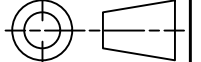


Tél: (450) 979-4373
 Fax: (450) 979-4626
www.exmweb.com

Flatness
Aplatissement

Max 3.0mm

Projection



Customer Client	Date
Drawn By / Dessiné Par: BoxCad: BoxCad	Date: 10/5/2022
Material / Matière: 14 Ga Cold Rolled A1008 CS Type B (1.7mm)	

Color / Couleur: White RAL9003	Finish / Fini: Smooth
--------------------------------	-----------------------

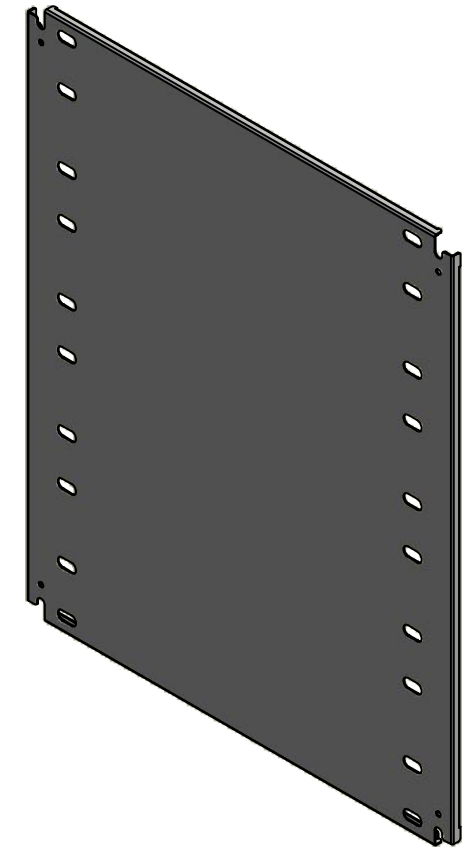
Description: 1412BT 33.293" x 26.75" Left Inner Panel	Detail Rev.
---	-------------

Part Number / Numéro Pièce: 1412BT111605DTIP1	Rev. 0	15 / 18
---	--------	---------

This drawing is confidential and must not be reproduced or used without the consent of EXM


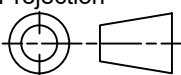
Ce dessin est confidentiel et ne doit pas être reproduit ou utilisé sans le consentement de EXM

No.	Revisions	Date	By/Par



Isometric View

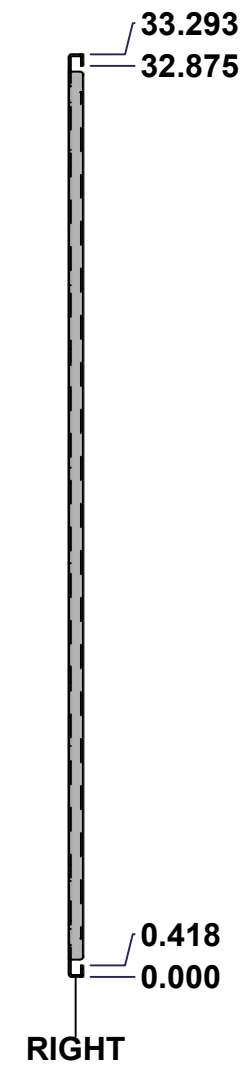
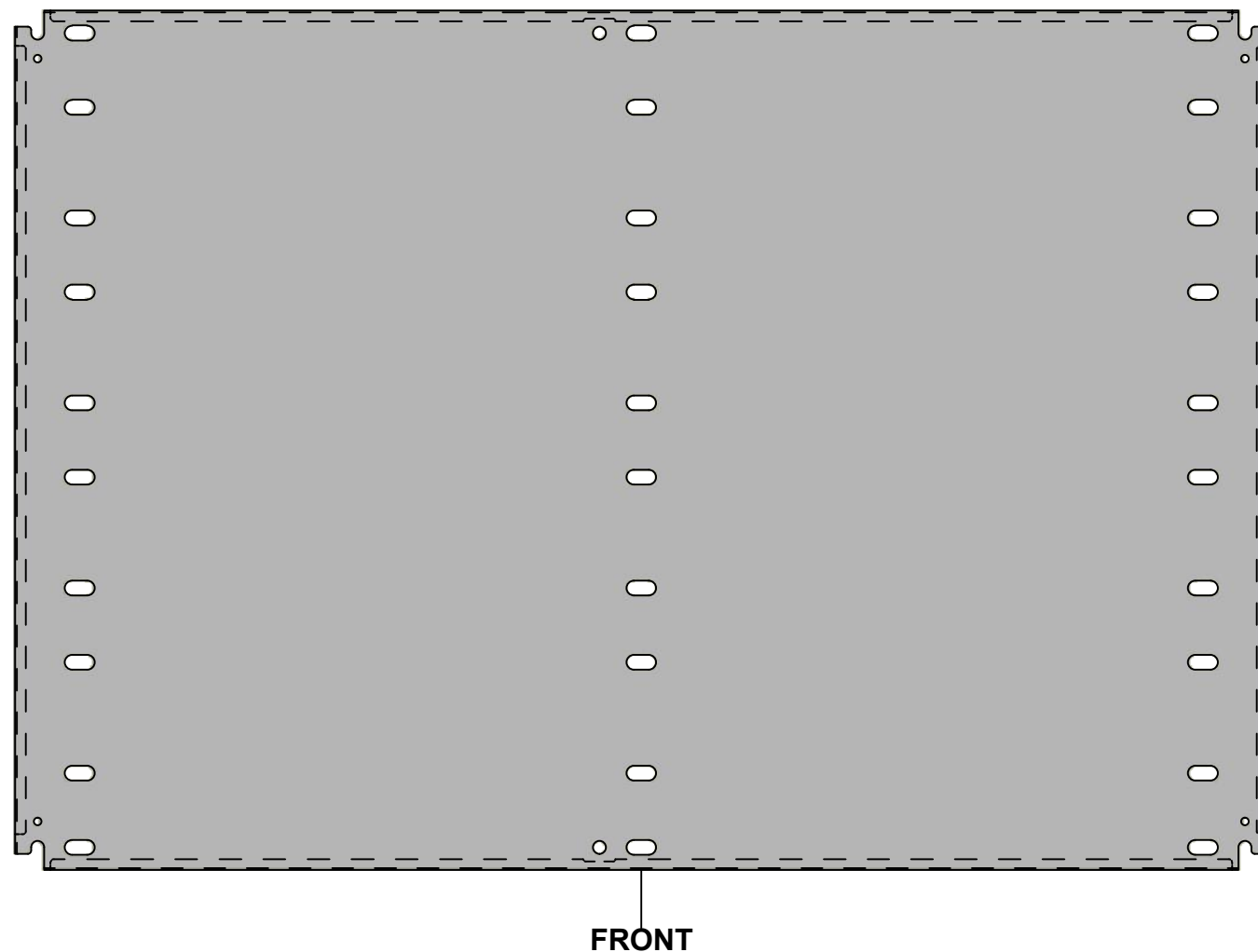
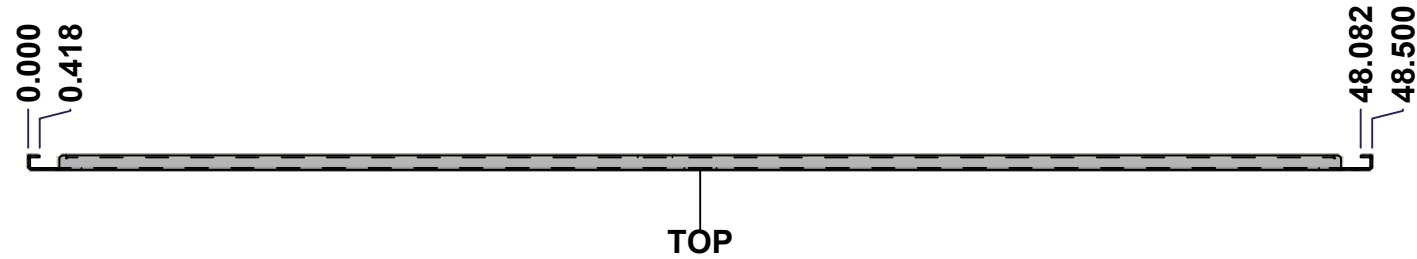


 Tél: (450) 979-4373 Fax: (450) 979-4626 www.exmweb.com		Flatness Aplatissement Max 3.0mm
Customer Client		Projection 
Drawn By / Dessiné Par: BoxCad: BoxCad		Date: 10/5/2022
Material / Matière: 14 Ga Cold Rolled A1008 CS Type B (1.7mm)		
Color / Couleur: White RAL9003	Finish / Fini: Smooth	
Description: 1412BT 33.293" x 26.75" Left Inner Panel		Detail Rev.
Part Number / Numéro Pièce: 1412BT111605DTIP1		Rev. 16 0

Qty	Part Number	Rev	Description
1	STK-P-02401S	0	Powder Paint (White / Smooth)
1	1412BT111605DTIP1-P	0	1412BT 33.293" x 132" Left Inner Panel Part
Parts List			

This drawing is confidential and must not be reproduced or used without the consent of EXM

Ce dessin est confidentiel et ne doit pas être reproduit ou utilisé sans le consentement de EXM



No.	Revisions	Date	By/Par

Isometric View

Tél: (450) 979-4373 Fax: (450) 979-4626 www.exmweb.com		Flatness Aplatissement Max 3.0mm Projection
Customer Client	Date	
Drawn By Dessiné Par	BoxCad: BoxCad	Date 10/5/2022
Material Matière	14 Ga Cold Rolled A1008 CS Type B (1.7mm)	
Color Couleur	White RAL9003	Finish Fini Smooth
Description 1412BT 33.293" x 48.5" Right Inner Panel		Detail Rev.
Part Number Numéro Pièce	Rev. 0	17 18

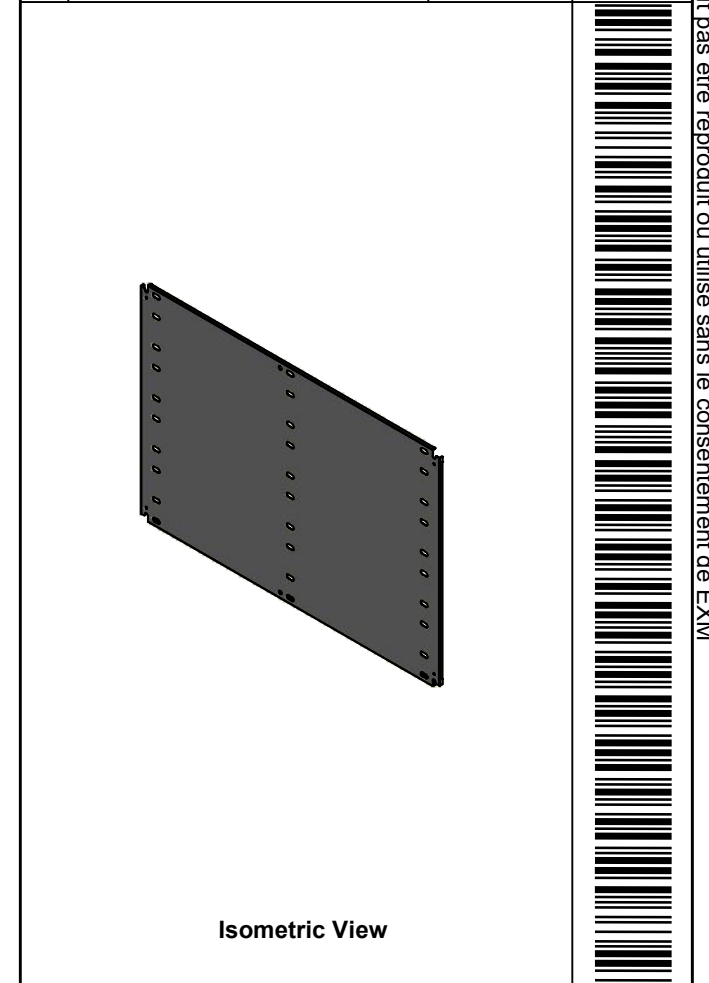
SEE BILL OF MATERIAL ON LAST PAGE


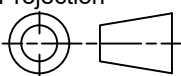
1412BT111605DTIP2

This drawing is confidential and must not be reproduced or used without the consent of EXM

Ce dessin est confidentiel et ne doit pas être reproduit ou utilisé sans le consentement de EXM

No.	Revisions	Date	By/Par



 Tél: (450) 979-4373 Fax: (450) 979-4626 www.exmweb.com		Flatness Aplatissement Max 3.0mm
Customer Client		Projection 
Drawn By Dessiné Par BoxCad: BoxCad		Date 10/5/2022
Material Matière 14 Ga Cold Rolled A1008 CS Type B (1.7mm)		
Color Couleur White RAL9003	Finish Fini Smooth	
Description 1412BT 33.293" x 48.5" Right Inner Panel		Detail Rev.
Part Number Numéro Pièce 1412BT111605DTIP2		Rev. 18 0

Qty	Part Number	Rev	Description
1	STK-P-02401S	0	Powder Paint (White / Smooth)
1	1412BT111605DTIP2-P	0	1412BT 33.293" x 132" Right Inner Panel Part
Parts List			