

This drawing is confidential and must not be reproduced or used without the consent of EXM

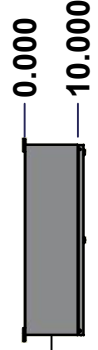
Ce dessin est confidentiel et ne doit pas être reproduit ou utilisé sans le consentement de EXM



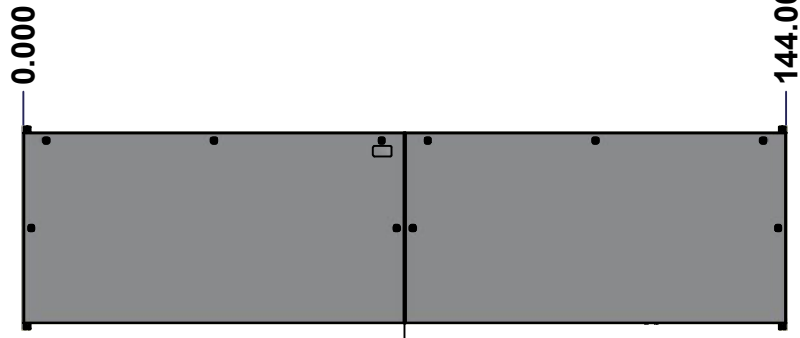
TOP



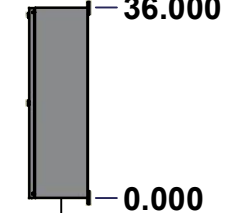
LEFT



LEFT



FRONT

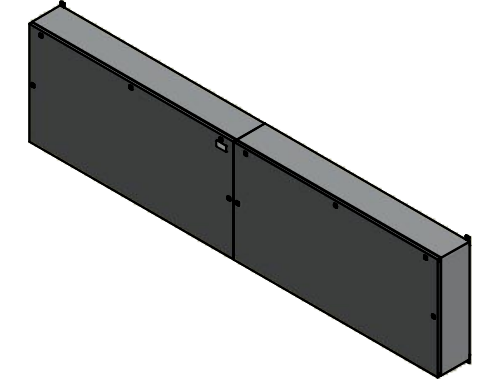


RIGHT



BOTTOM

No.	Revisions	Date	By/Par



Isometric View



Tél: (450) 979-4373
 Fax: (450) 979-4626
www.exmweb.com

Flatness
Aplatissement
Max 3.0mm
Projection

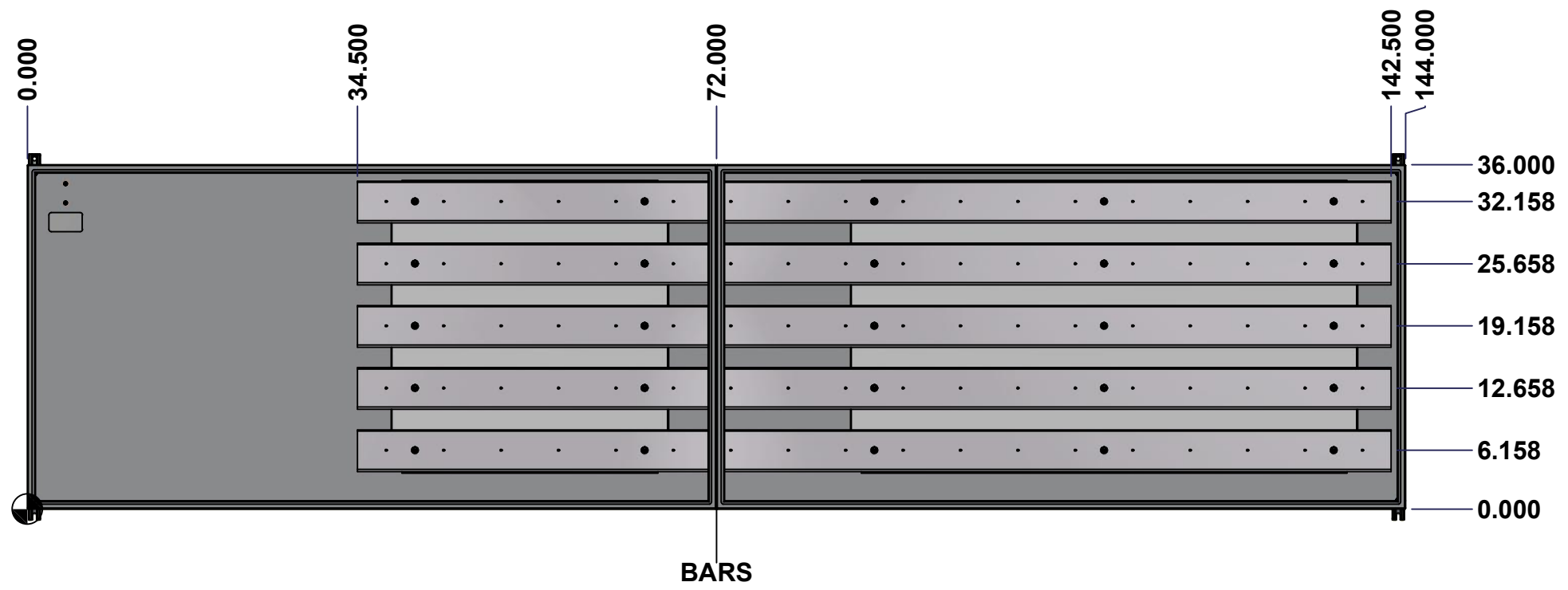
Customer Client	Date
Drawn By Dessiné Par BoxCad: BoxCad	Date 2022-10-04
Material Matière 14 Ga Cold Rolled A1008 CS Type B (1.7mm)	
Color Couleur Asa-61 Grey	Finish Fini Smooth
Description 1412BT 1000A - 5Wires x 144" Assembly	Detail Rev.
Part Number Numéro Pièce 1412BT121005DT	Rev. 0

SEE BILL OF MATERIAL ON LAST PAGE

This drawing is confidential and must not be reproduced or used without the consent of Eurobox

STANDARD FEATURES ARE NOT LISTED IN THIS HOLE TABLE

Ce dessin est confidentiel et ne doit pas être reproduit ou utilisé sans le consentement de Eurobox



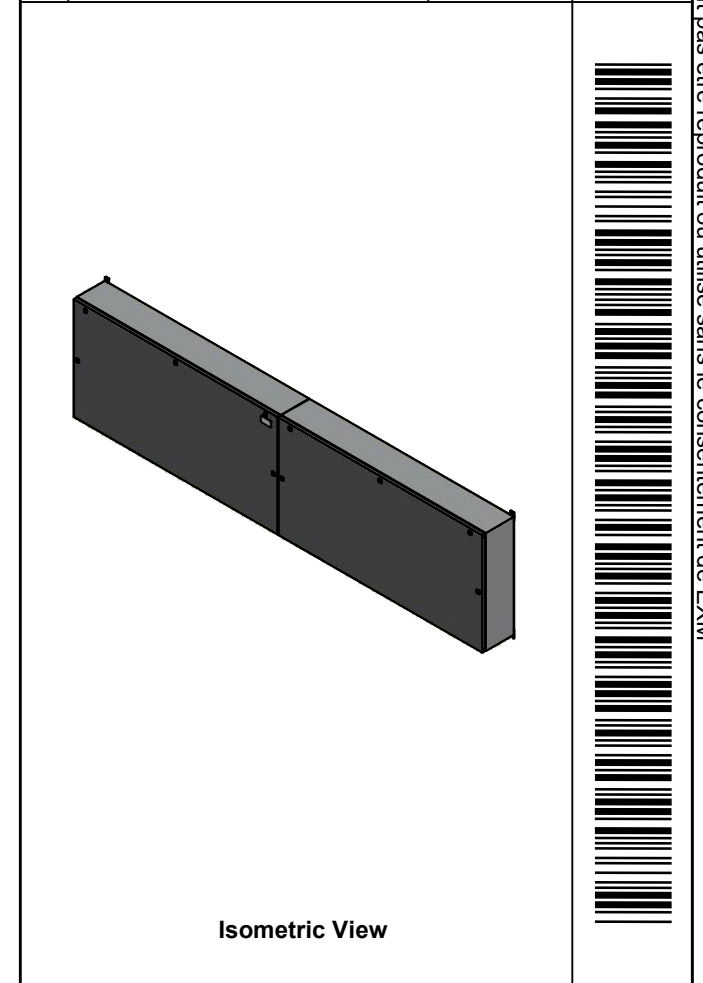
	Description		Status
	1412BT 1000A - 5Wires x 144" Assembly		(NULL)
Part Number Numéro Pièce		Rev.	2
1412BT121005DT		0	18

This drawing is confidential and must not be reproduced or used without the consent of EXM

Ce dessin est confidentiel et ne doit pas être reproduit ou utilisé sans le consentement de EXM

NOTE	
ITEM	DESCRIPTION
1	NEMA 4/12 Enclosure
2	C/W Standard ground studs on box and cover
3	W/O Standard door stiffener
4	C/W Special inner panel (Sold separately)
5	C/W Standard inner panel mounting studs

No.	Revisions	Date	By/Par



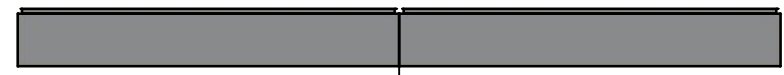
PACKING		
ITEM	QTY	DESCRIPTION
Cardboard sleeve	2	Top and Bottom
Cardboard strip	2	Between back of enclosure and inner panel
Plastic bag	1	To protect cover surface and inside gasket
Cardboard corner	4	To reinforced for the plastic strap tightening
Plastic strap - Black	2	To Squeeze 2 cardboard sleeve together
Packaging label	3	White label with PN
Plastic strap- Green	2	To secure the enclosure to the wood pallet
Wood Pallet	1	2" deeper and 3" larger than enclosure size

1	885 ESMF1	0	885 ESMF1 Mounting Feet Kit
1	1412BT121005DTIP2	0	1412BT 30.625" x 53" Right Inner Panel
1	1412BT121005DTBAR1-P	0	Rounded Edge Aluminum Bar 3/8" x 4 1/2"
1	1412BT121005DTBAR2-P	0	Rounded Edge Aluminum Bar 3/8" x 4 1/2"
1	1412BT121005DTBAR3-P	0	Rounded Edge Aluminum Bar 3/8" x 4 1/2"
1	1412BT121005DTBAR4-P	0	Rounded Edge Aluminum Bar 3/8" x 4 1/2"
1	1412BT121005DTBAR5-P	0	Rounded Edge Aluminum Bar 3/8" x 4 1/2"
1	1412BT121005DTIP1	0	1412BT 30.625" x 29" Left Inner Panel
25	STK-A-67400	0	Buss Bar Insulator Kit
1	STK-K-01800	5	5412 ES Accessory Kit
8	STK-Q-04050-07	7	M6 x 7mm Hexagon Socket Head Machine Screw with Nyseal
35	STK-Q-07310	2	Flange Lock Nut M8
10	STK-Q-07610	8	M8 Plastic Spacer 22.2mm
1	1412BT121005DTB	0	1412BT 36" x 144" x 10" Body
1	1412BT121005DTC	0	1412BT 36" x 144" Cover
Qty	Part Number	Rev	Description
Parts List			

<p>Tél: (450) 979-4373 Fax: (450) 979-4626 www.exmweb.com</p>	Flatness Aplatissement	Max 3.0mm
	Projection	
Customer Client	Date	
Drawn By Dessiné Par	BoxCad: BoxCad	Date 2022-10-04
Material Matière	14 Ga Cold Rolled A1008 CS Type B (1.7mm)	
Color Couleur	Asa-61 Grey	Finish Fini Smooth
Description	Detail Rev.	
1412BT 1000A - 5Wires x 144" Assembly		
Part Number Numéro Pièce	Rev.	3
1412BT121005DT	0	18

This drawing is confidential and must not be reproduced or used without the consent of EXM

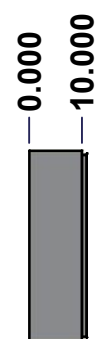
Ce dessin est confidentiel et ne doit pas être reproduit ou utilisé sans le consentement de EXM



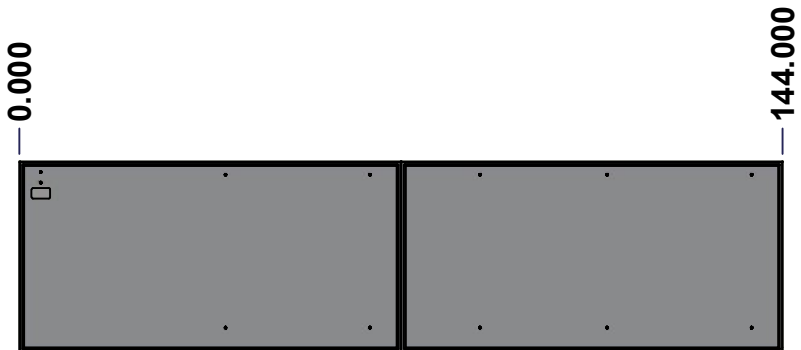
TOP



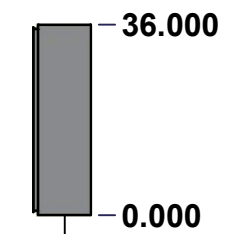
BACK



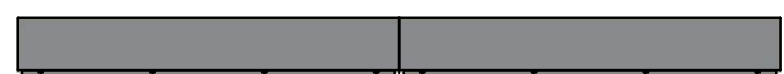
LEFT



FRONT

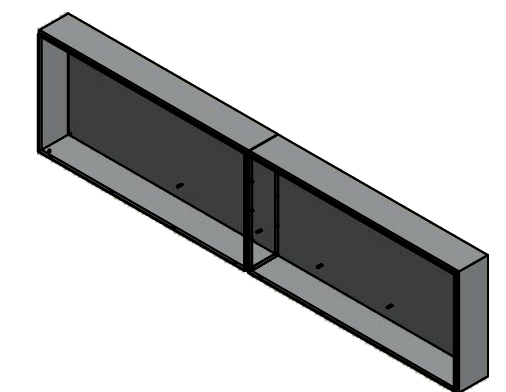


RIGHT



BOTTOM

No.	Revisions	Date	By/Par



Isometric View

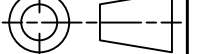


Tél: (450) 979-4373
 Fax: (450) 979-4626
www.exmweb.com

Flatness
Aplatissement

Max 3.0mm

Projection



Customer Client	Date
Drawn By / Dessiné Par: BoxCad: BoxCad	Date: 2022-10-04
Material / Matière: 14 Ga Cold Rolled A1008 CS Type B (1.7mm)	

Color / Couleur: Asa-61 Grey	Finish / Fini: Smooth
------------------------------	-----------------------

Description: 1412BT 36" x 144" x 10" Body	Detail Rev.
-------------------------------------------	-------------

Part Number / Numéro Pièce: 1412BT121005DTB	Rev. 0	4
---------------------------------------------	--------	---

SEE BILL OF MATERIAL ON LAST PAGE

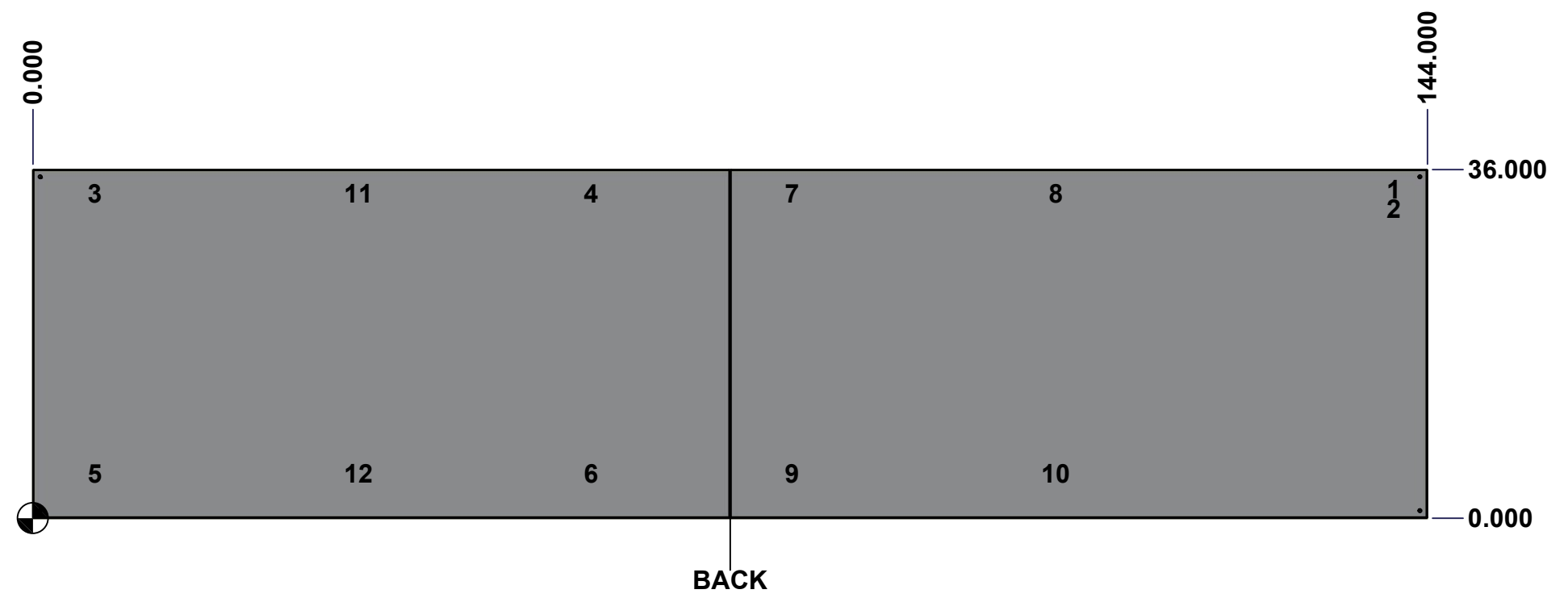
This drawing is confidential and must not be reproduced or used without the consent of Eurobox

Ce dessin est confidentiel et ne doit pas être reproduit ou utilisé sans le consentement de Eurobox

STANDARD FEATURES ARE NOT LISTED IN THIS HOLE TABLE

HOLE TABLE - BACK VIEW (CUSTOM FEATURE ONLY)

CUT-OUT	XDIM	YDIM	DESCRIPTION
1	140.000	34.000	GND STUD M8 x 35mm (Inside)
2	140.000	32.000	GND STUD M8 x 35mm (Inside)
3	5.875	33.500	IP STUD M8 x 35mm (Inside)
4	57.125	33.500	IP STUD M8 x 35mm (Inside)
5	5.875	4.625	IP STUD M8 x 35mm (Inside)
6	57.125	4.625	IP STUD M8 x 35mm (Inside)
7	77.875	33.500	IP STUD M8 x 35mm (Inside)
8	105.125	33.500	IP STUD M8 x 35mm (Inside)
9	77.875	4.625	IP STUD M8 x 35mm (Inside)
10	105.125	4.625	IP STUD M8 x 35mm (Inside)
11	33.125	33.500	IP STUD M8 x 35mm (Inside)
12	33.125	4.625	IP STUD M8 x 35mm (Inside)

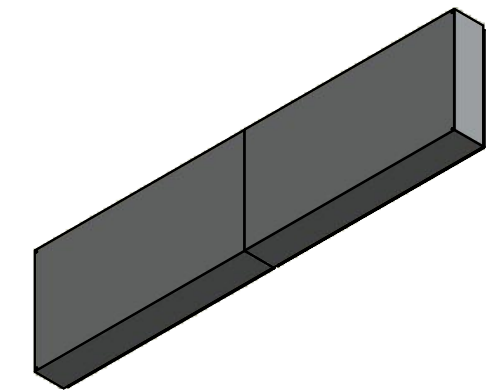


	Description	Status
	1412BT 36" x 144" x 10" Body	(NULL)
	Part Number Numéro Pièce	Rev.
	1412BT121005DTB	0 / 5
		18

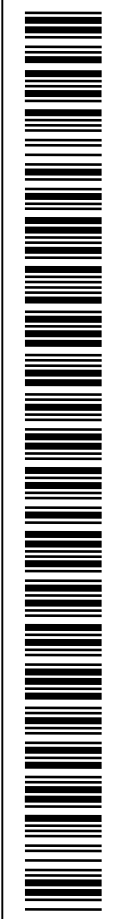
This drawing is confidential and must not be reproduced or used without the consent of EXM

Ce dessin est confidentiel et ne doit pas être reproduit ou utilisé sans le consentement de EXM

No.	Revisions	Date	By/Par



Isometric View




 Tél: (450) 979-4373
 Fax: (450) 979-4626
www.exmweb.com

Flatness / Aplatissement: Max 3.0mm
 Projection: 

Customer / Client: _____ Date: _____
 Drawn By / Dessiné Par: BoxCad: BoxCad Date: 2022-10-04

Material / Matière: 14 Ga Cold Rolled A1008 CS Type B (1.7mm)

Color / Couleur: Asa-61 Grey Finish / Fini: Smooth

Description: 1412BT 36" x 144" x 10" Body
 Detail Rev.:

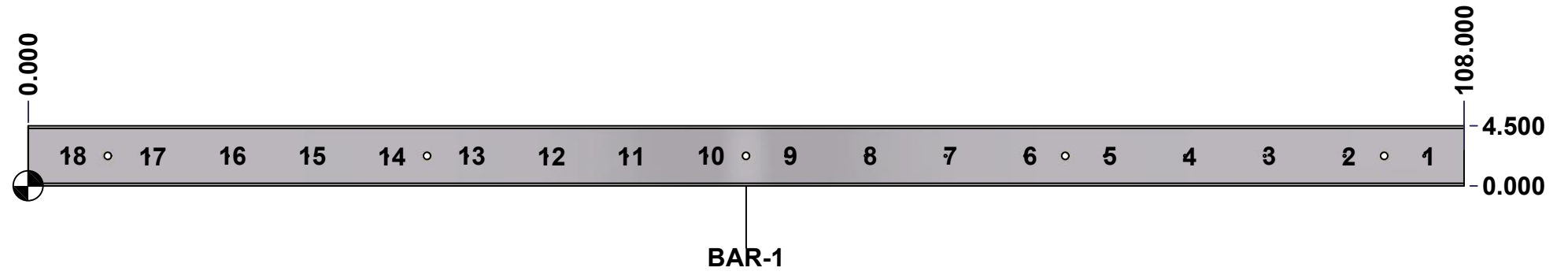
Part Number / Numéro Pièce: **1412BT121005DTB**
 Rev. 0

1	STK-P-02400S	0	Powder Paint (Asa-61 Grey / Smooth)
1	1412BT121005DTB-P	0	1412BT 36" x 144" x 10" Left Body Part
1	1412BT121005DTE-P	0	1412BT 36" x 144" x 10" Right Body Part
1	STK-G-00701	0	1" x 1/4" Self-Adhesive Neoprene Gasket
10	STK-Q-00260	1	M6 x 13mm Carriage Bolt
10	STK-Q-07220	1	M6 Nylon Insert Lock Nut
12	STK-Q-16005	1	Stud M8 x 35 (No Paint Cap Required)
2	STK-Q-16080	0	Ground Stud M6 x 16mm
1	STK-S-00100	0	3.5" x 2" Silver Milar Flexcon Sticker
Qty	Part Number	Rev	Description
Parts List			

This drawing is confidential and must not be reproduced or used without the consent of Eurobex

Ce dessin est confidentiel et ne doit pas être reproduit ou utilisé sans le consentement de Eurobex

STANDARD FEATURES ARE NOT LISTED IN THIS HOLE TABLE			
HOLE TABLE - FRONT VIEW (CUSTOM FEATURE ONLY)			
CUT-OUT	XDIM	YDIM	DESCRIPTION
1	105.000	2.250	RND Ø0.201 THREAD 1/4-20 UNC
2	99.000	2.250	RND Ø0.201 THREAD 1/4-20 UNC
3	93.000	2.250	RND Ø0.201 THREAD 1/4-20 UNC
4	87.000	2.250	RND Ø0.201 THREAD 1/4-20 UNC
5	81.000	2.250	RND Ø0.201 THREAD 1/4-20 UNC
6	75.000	2.250	RND Ø0.201 THREAD 1/4-20 UNC
7	69.000	2.250	RND Ø0.201 THREAD 1/4-20 UNC
8	63.000	2.250	RND Ø0.201 THREAD 1/4-20 UNC
9	57.000	2.250	RND Ø0.201 THREAD 1/4-20 UNC
10	51.000	2.250	RND Ø0.201 THREAD 1/4-20 UNC
11	45.000	2.250	RND Ø0.201 THREAD 1/4-20 UNC
12	39.000	2.250	RND Ø0.201 THREAD 1/4-20 UNC
13	33.000	2.250	RND Ø0.201 THREAD 1/4-20 UNC
14	27.000	2.250	RND Ø0.201 THREAD 1/4-20 UNC
15	21.000	2.250	RND Ø0.201 THREAD 1/4-20 UNC
16	15.000	2.250	RND Ø0.201 THREAD 1/4-20 UNC
17	9.000	2.250	RND Ø0.201 THREAD 1/4-20 UNC
18	3.000	2.250	RND Ø0.201 THREAD 1/4-20 UNC

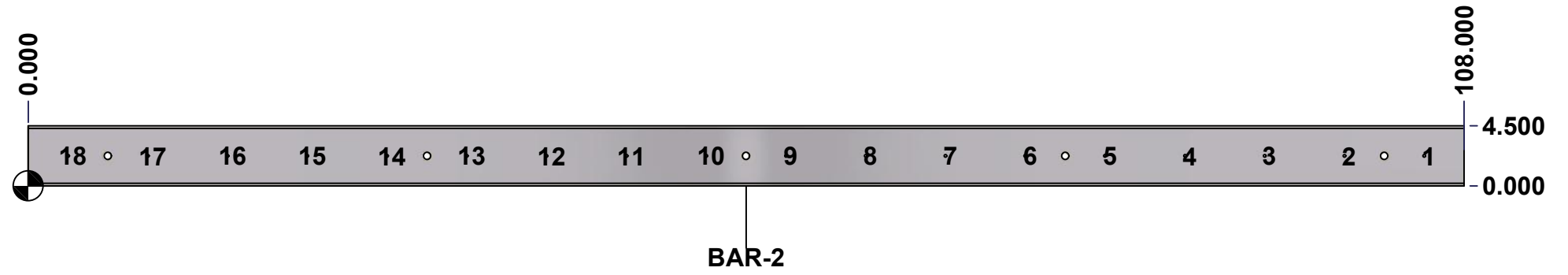


	Description	Status	
	Rounded Edge Aluminum Bar 3/8" x 4 1/2"	(NULL)	
	Part Number Numéro Pièce	Rev.	
	1412BT121005DTBAR1-P	0	7 18

This drawing is confidential and must not be reproduced or used without the consent of Eurobex

Ce dessin est confidentiel et ne doit pas être reproduit ou utilisé sans le consentement de Eurobex

STANDARD FEATURES ARE NOT LISTED IN THIS HOLE TABLE			
HOLE TABLE - FRONT VIEW (CUSTOM FEATURE ONLY)			
CUT-OUT	XDIM	YDIM	DESCRIPTION
1	105.000	2.250	RND Ø0.201 THREAD 1/4-20 UNC
2	99.000	2.250	RND Ø0.201 THREAD 1/4-20 UNC
3	93.000	2.250	RND Ø0.201 THREAD 1/4-20 UNC
4	87.000	2.250	RND Ø0.201 THREAD 1/4-20 UNC
5	81.000	2.250	RND Ø0.201 THREAD 1/4-20 UNC
6	75.000	2.250	RND Ø0.201 THREAD 1/4-20 UNC
7	69.000	2.250	RND Ø0.201 THREAD 1/4-20 UNC
8	63.000	2.250	RND Ø0.201 THREAD 1/4-20 UNC
9	57.000	2.250	RND Ø0.201 THREAD 1/4-20 UNC
10	51.000	2.250	RND Ø0.201 THREAD 1/4-20 UNC
11	45.000	2.250	RND Ø0.201 THREAD 1/4-20 UNC
12	39.000	2.250	RND Ø0.201 THREAD 1/4-20 UNC
13	33.000	2.250	RND Ø0.201 THREAD 1/4-20 UNC
14	27.000	2.250	RND Ø0.201 THREAD 1/4-20 UNC
15	21.000	2.250	RND Ø0.201 THREAD 1/4-20 UNC
16	15.000	2.250	RND Ø0.201 THREAD 1/4-20 UNC
17	9.000	2.250	RND Ø0.201 THREAD 1/4-20 UNC
18	3.000	2.250	RND Ø0.201 THREAD 1/4-20 UNC

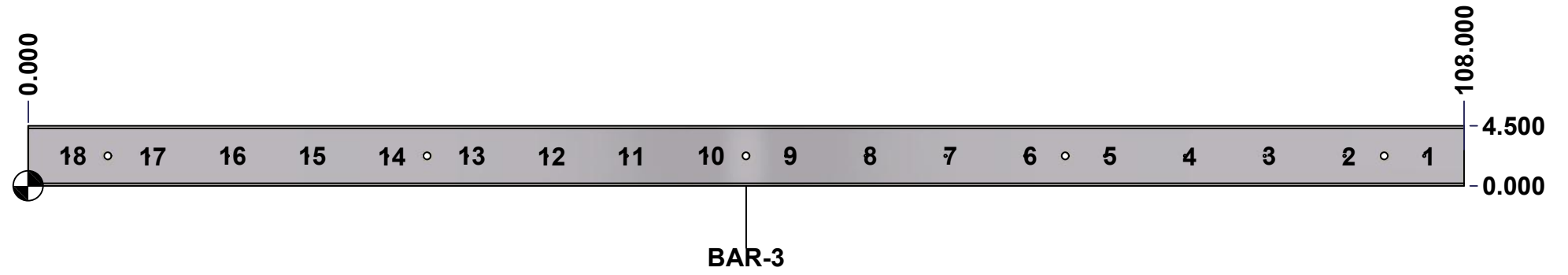


	Description	Status
	Rounded Edge Aluminum Bar 3/8" x 4 1/2"	(NULL)
	Part Number	Rev.
	Numéro Pièce	8
	1412BT121005DTBAR2-P	0
		18

This drawing is confidential and must not be reproduced or used without the consent of Eurobex

Ce dessin est confidentiel et ne doit pas être reproduit ou utilisé sans le consentement de Eurobex

STANDARD FEATURES ARE NOT LISTED IN THIS HOLE TABLE			
HOLE TABLE - FRONT VIEW (CUSTOM FEATURE ONLY)			
CUT-OUT	XDIM	YDIM	DESCRIPTION
1	105.000	2.250	RND Ø0.201 THREAD 1/4-20 UNC
2	99.000	2.250	RND Ø0.201 THREAD 1/4-20 UNC
3	93.000	2.250	RND Ø0.201 THREAD 1/4-20 UNC
4	87.000	2.250	RND Ø0.201 THREAD 1/4-20 UNC
5	81.000	2.250	RND Ø0.201 THREAD 1/4-20 UNC
6	75.000	2.250	RND Ø0.201 THREAD 1/4-20 UNC
7	69.000	2.250	RND Ø0.201 THREAD 1/4-20 UNC
8	63.000	2.250	RND Ø0.201 THREAD 1/4-20 UNC
9	57.000	2.250	RND Ø0.201 THREAD 1/4-20 UNC
10	51.000	2.250	RND Ø0.201 THREAD 1/4-20 UNC
11	45.000	2.250	RND Ø0.201 THREAD 1/4-20 UNC
12	39.000	2.250	RND Ø0.201 THREAD 1/4-20 UNC
13	33.000	2.250	RND Ø0.201 THREAD 1/4-20 UNC
14	27.000	2.250	RND Ø0.201 THREAD 1/4-20 UNC
15	21.000	2.250	RND Ø0.201 THREAD 1/4-20 UNC
16	15.000	2.250	RND Ø0.201 THREAD 1/4-20 UNC
17	9.000	2.250	RND Ø0.201 THREAD 1/4-20 UNC
18	3.000	2.250	RND Ø0.201 THREAD 1/4-20 UNC

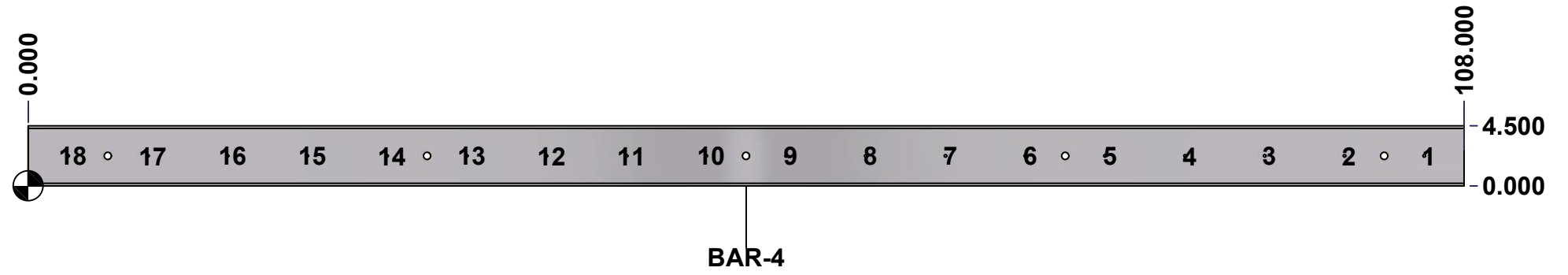


	Description	Status
	Rounded Edge Aluminum Bar 3/8" x 4 1/2"	(NULL)
	Part Number	Rev.
	Numéro Pièce	9
	1412BT121005DTBAR3-P	0
		18

This drawing is confidential and must not be reproduced or used without the consent of Eurobex

Ce dessin est confidentiel et ne doit pas être reproduit ou utilisé sans le consentement de Eurobex

STANDARD FEATURES ARE NOT LISTED IN THIS HOLE TABLE			
HOLE TABLE - FRONT VIEW (CUSTOM FEATURE ONLY)			
CUT-OUT	XDIM	YDIM	DESCRIPTION
1	105.000	2.250	RND Ø0.201 THREAD 1/4-20 UNC
2	99.000	2.250	RND Ø0.201 THREAD 1/4-20 UNC
3	93.000	2.250	RND Ø0.201 THREAD 1/4-20 UNC
4	87.000	2.250	RND Ø0.201 THREAD 1/4-20 UNC
5	81.000	2.250	RND Ø0.201 THREAD 1/4-20 UNC
6	75.000	2.250	RND Ø0.201 THREAD 1/4-20 UNC
7	69.000	2.250	RND Ø0.201 THREAD 1/4-20 UNC
8	63.000	2.250	RND Ø0.201 THREAD 1/4-20 UNC
9	57.000	2.250	RND Ø0.201 THREAD 1/4-20 UNC
10	51.000	2.250	RND Ø0.201 THREAD 1/4-20 UNC
11	45.000	2.250	RND Ø0.201 THREAD 1/4-20 UNC
12	39.000	2.250	RND Ø0.201 THREAD 1/4-20 UNC
13	33.000	2.250	RND Ø0.201 THREAD 1/4-20 UNC
14	27.000	2.250	RND Ø0.201 THREAD 1/4-20 UNC
15	21.000	2.250	RND Ø0.201 THREAD 1/4-20 UNC
16	15.000	2.250	RND Ø0.201 THREAD 1/4-20 UNC
17	9.000	2.250	RND Ø0.201 THREAD 1/4-20 UNC
18	3.000	2.250	RND Ø0.201 THREAD 1/4-20 UNC

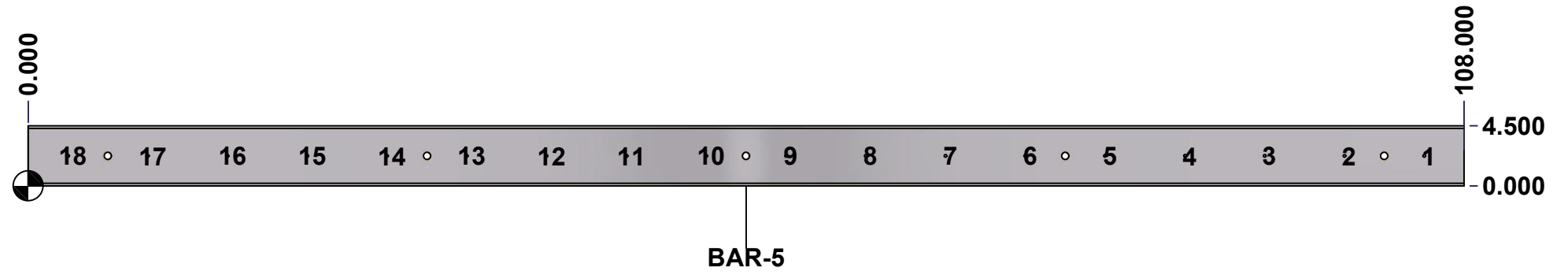


	Description	Status
	Rounded Edge Aluminum Bar 3/8" x 4 1/2"	(NULL)
	Part Number Numéro Pièce	Rev.
	1412BT121005DTBAR4-P	0 / 10
		18

This drawing is confidential and must not be reproduced or used without the consent of Eurobex

Ce dessin est confidentiel et ne doit pas être reproduit ou utilisé sans le consentement de Eurobex

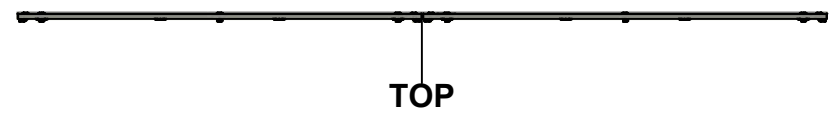
STANDARD FEATURES ARE NOT LISTED IN THIS HOLE TABLE			
HOLE TABLE - FRONT VIEW (CUSTOM FEATURE ONLY)			
CUT-OUT	XDIM	YDIM	DESCRIPTION
1	105.000	2.250	RND Ø0.201 THREAD 1/4-20 UNC
2	99.000	2.250	RND Ø0.201 THREAD 1/4-20 UNC
3	93.000	2.250	RND Ø0.201 THREAD 1/4-20 UNC
4	87.000	2.250	RND Ø0.201 THREAD 1/4-20 UNC
5	81.000	2.250	RND Ø0.201 THREAD 1/4-20 UNC
6	75.000	2.250	RND Ø0.201 THREAD 1/4-20 UNC
7	69.000	2.250	RND Ø0.201 THREAD 1/4-20 UNC
8	63.000	2.250	RND Ø0.201 THREAD 1/4-20 UNC
9	57.000	2.250	RND Ø0.201 THREAD 1/4-20 UNC
10	51.000	2.250	RND Ø0.201 THREAD 1/4-20 UNC
11	45.000	2.250	RND Ø0.201 THREAD 1/4-20 UNC
12	39.000	2.250	RND Ø0.201 THREAD 1/4-20 UNC
13	33.000	2.250	RND Ø0.201 THREAD 1/4-20 UNC
14	27.000	2.250	RND Ø0.201 THREAD 1/4-20 UNC
15	21.000	2.250	RND Ø0.201 THREAD 1/4-20 UNC
16	15.000	2.250	RND Ø0.201 THREAD 1/4-20 UNC
17	9.000	2.250	RND Ø0.201 THREAD 1/4-20 UNC
18	3.000	2.250	RND Ø0.201 THREAD 1/4-20 UNC



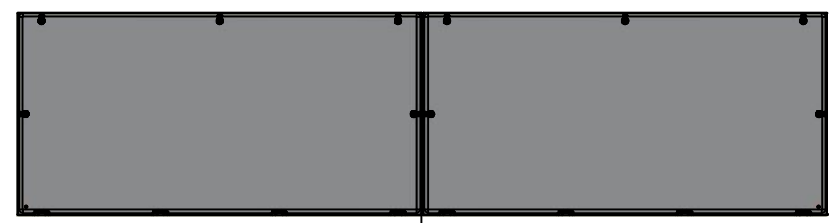
	Description	Status
	Rounded Edge Aluminum Bar 3/8" x 4 1/2"	(NULL)
	Part Number	Rev.
	Numéro Pièce	11
	1412BT121005DTBAR5-P	0
		18

This drawing is confidential and must not be reproduced or used without the consent of EXM

Ce dessin est confidentiel et ne doit pas être reproduit ou utilisé sans le consentement de EXM



TOP



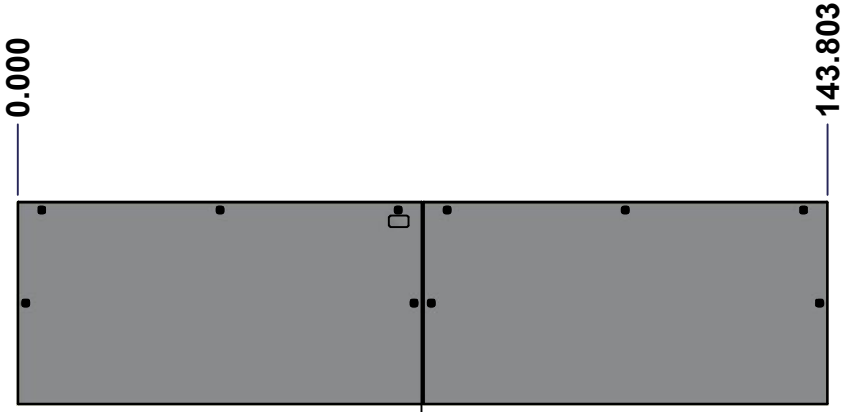
BACK



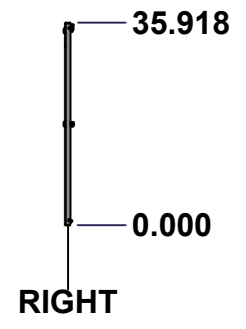
BOTTOM



LEFT



FRONT



RIGHT

No.	Revisions	Date	By/Par

Isometric View

Tél: (450) 979-4373 Fax: (450) 979-4626 www.exmweb.com		Flatness Aplatissement
		Max 3.0mm
Projection 		
Customer Client		Date
Drawn By Dessiné Par	BoxCad: BoxCad	Date
Material Matière	14 Ga Cold Rolled A1008 CS Type B (1.7mm)	
Color Couleur	Asa-61 Grey	Finish Fini
		Smooth
Description		Detail Rev.
1412BT 36" x 144" Cover		
Part Number Numéro Pièce		Rev.
1412BT121005DTC		12
		0
		18

SEE BILL OF MATERIAL ON LAST PAGE

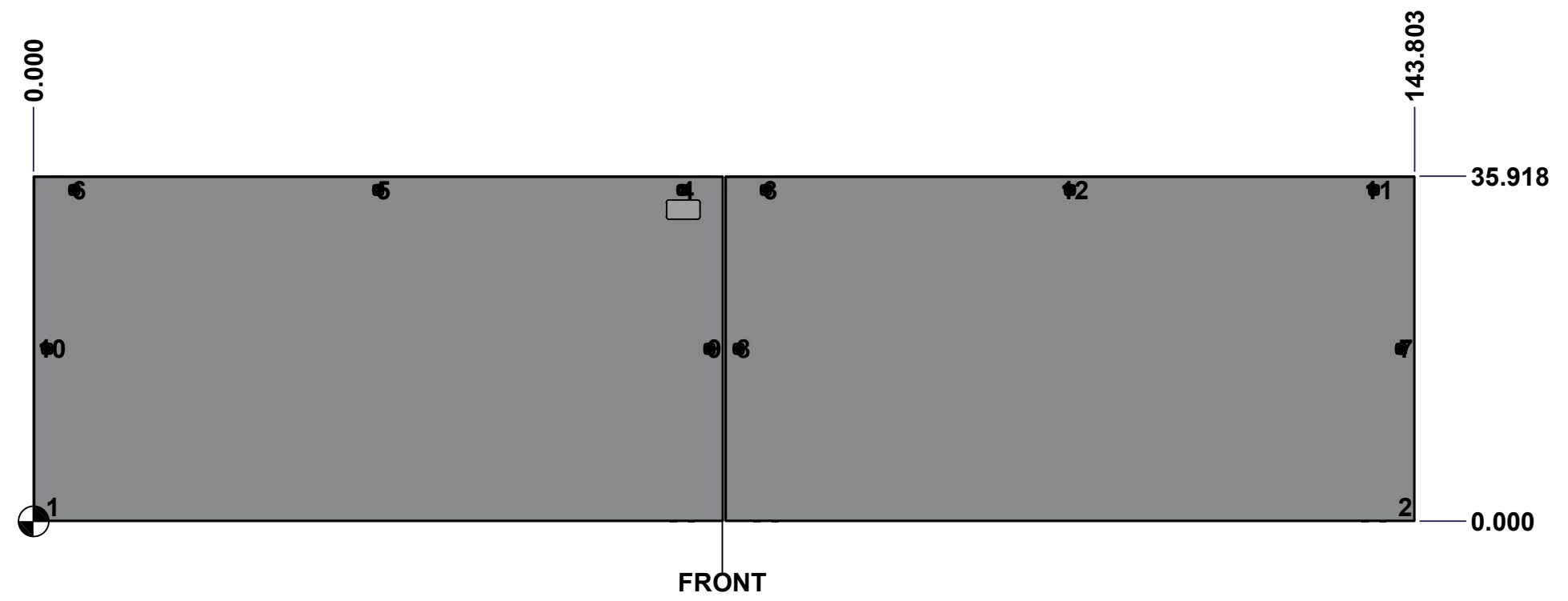
This drawing is confidential and must not be reproduced or used without the consent of Eurobox

Ce dessin est confidentiel et ne doit pas être reproduit ou utilisé sans le consentement de Eurobox

STANDARD FEATURES ARE NOT LISTED IN THIS HOLE TABLE

HOLE TABLE - FRONT VIEW (CUSTOM FEATURE ONLY)

CUT-OUT	XDIM	YDIM	DESCRIPTION
1	1.500	1.486	GND STUD M6 x 16mm (Inside)
2	142.303	1.486	GND STUD M6 x 16mm (Inside)
3	76.250	34.494	LOCK 880 SCQ4-SL @ 90.0°
4	67.553	34.494	LOCK 880 SCQ4-SL @ 90.0°
5	35.902	34.494	LOCK 880 SCQ4-SL @ 90.0°
6	4.250	34.494	LOCK 880 SCQ4-SL @ 90.0°
7	142.379	17.959	LOCK 880 SCQ4-SL @ 0.0°
8	73.424	17.959	LOCK 880 SCQ4-SL @ 180.0°
9	70.379	17.959	LOCK 880 SCQ4-SL @ 0.0°
10	1.424	17.959	LOCK 880 SCQ4-SL @ 180.0°
11	139.553	34.494	LOCK 880 SCQ4-SL @ 90.0°
12	107.902	34.494	LOCK 880 SCQ4-SL @ 90.0°

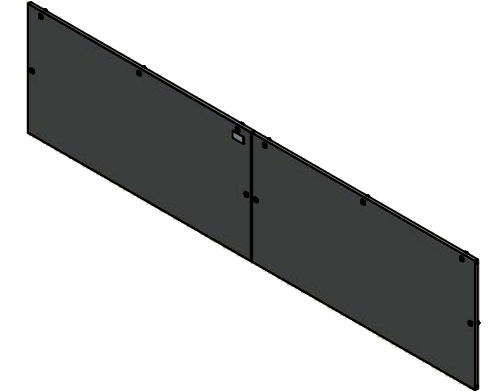


	Description 1412BT 36" x 144" Cover	Status (NULL)
	Part Number Numéro Pièce 1412BT121005DTC	Rev. 13 0 18

This drawing is confidential and must not be reproduced or used without the consent of EXM

Ce dessin est confidentiel et ne doit pas être reproduit ou utilisé sans le consentement de EXM

No.	Revisions	Date	By/Par



Isometric View



Tél: (450) 979-4373
 Fax: (450) 979-4626
www.exmweb.com

Flatness
Aplatissement
Max 3.0mm
Projection

Customer Client
 Drawn By Dessiné Par BoxCad: BoxCad
 Date 2022-10-04

Material Matière 14 Ga Cold Rolled A1008 CS Type B (1.7mm)

Color Couleur Asa-61 Grey
 Finish Fini Smooth

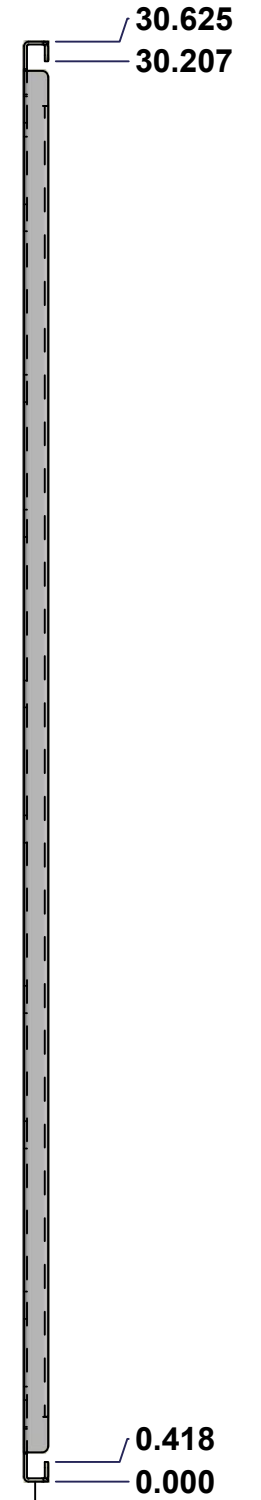
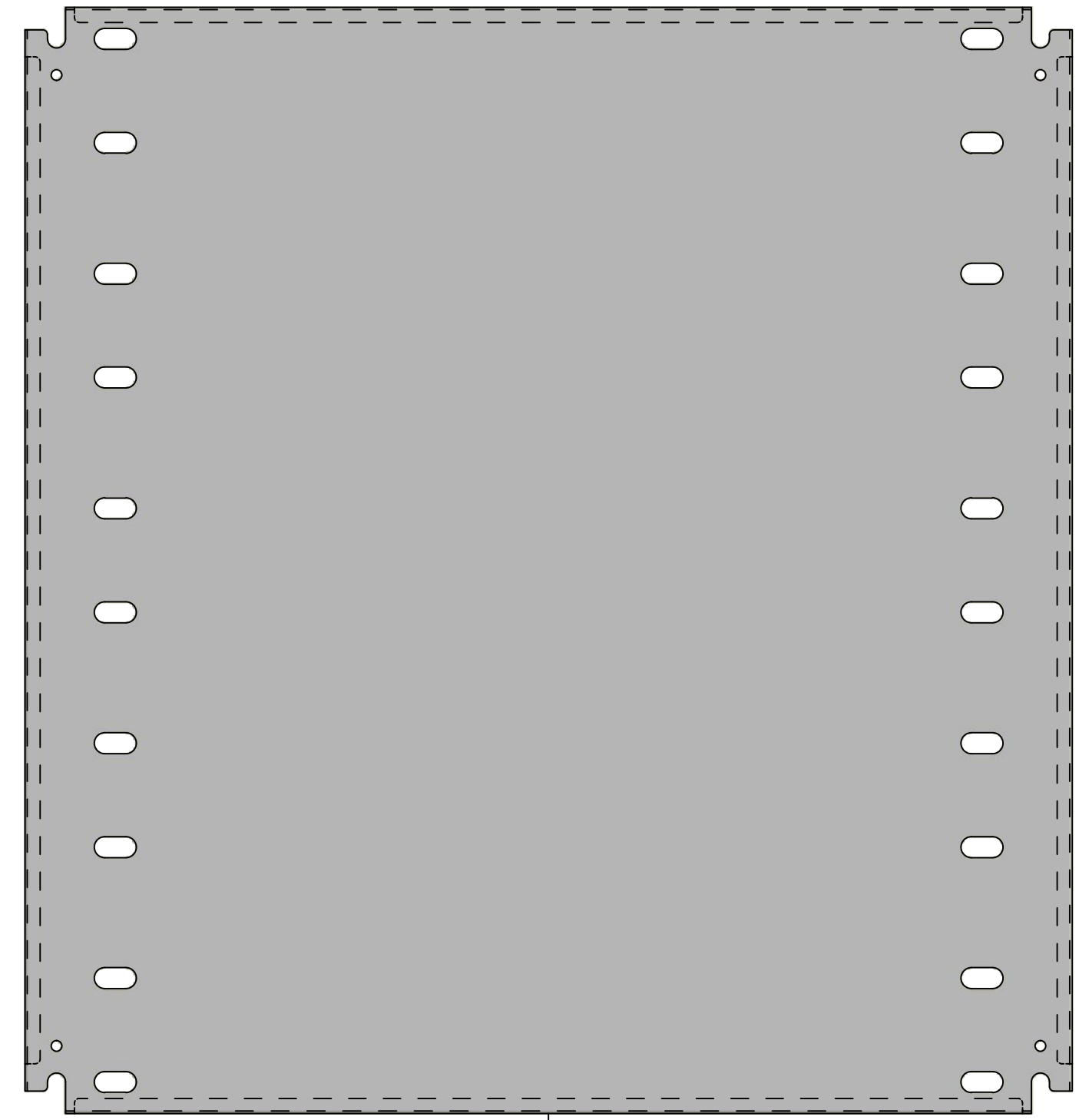
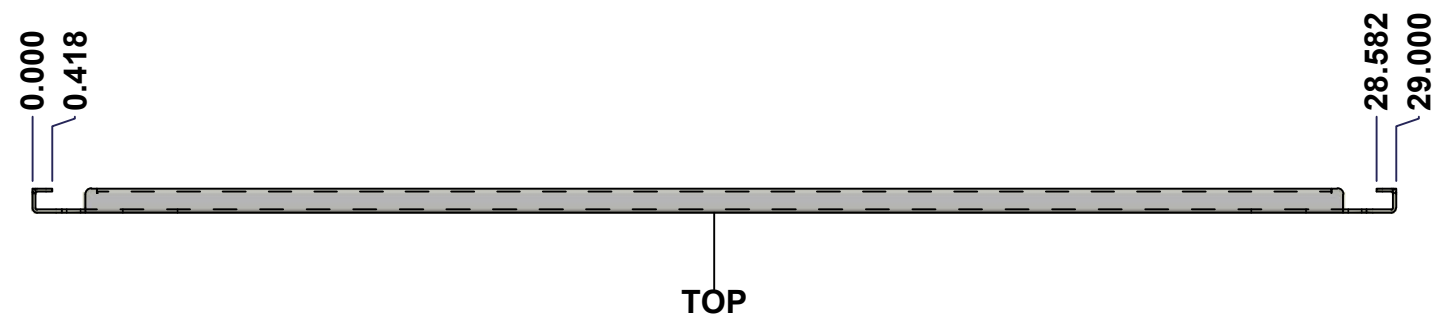
Description 1412BT 36" x 144" Cover
 Detail Rev.

Part Number Numéro Pièce **1412BT121005DTC**
 Rev. 0

2	1412BT121005DTG	0	1412BT 36" x 144" Cover Gasket
1	STK-P-02400S	0	Powder Paint (Asa-61 Grey / Smooth)
8	STK-K-09800	10	5412 ES Hinge with 2 Captive Hinge Pins
2	STK-Q-16080	0	Ground Stud M6 x 16mm
1	STK-S-00100	0	3.5" x 2" Silver Milar Flexcon Sticker
1	1412BT121005DTC-P	0	1412BT 36" x 72" Left Cover Part
1	1412BT121005DTF-P	0	1412BT 36" x 144" Right Cover Part
10	880 SCQ4-SL	6	5412 ES 1/4 Turn Lock
Qty	Part Name	Rev	Description
Parts List			

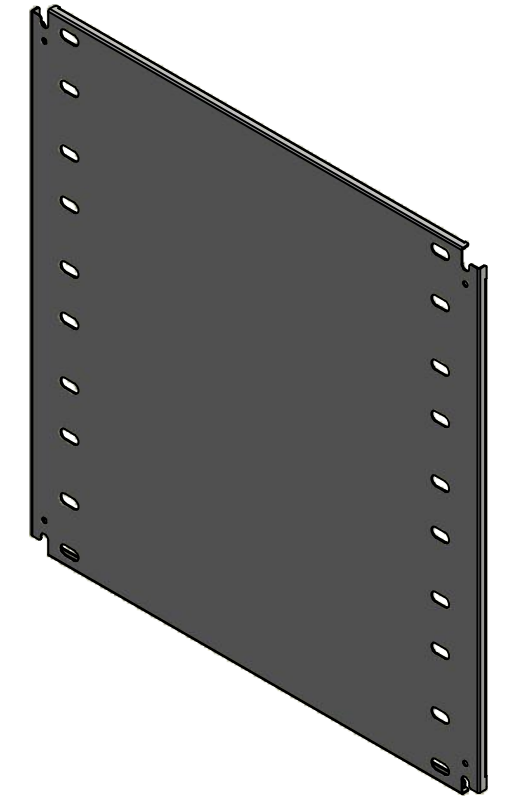
This drawing is confidential and must not be reproduced or used without the consent of EXM

Ce dessin est confidentiel et ne doit pas être reproduit ou utilisé sans le consentement de EXM



SEE BILL OF MATERIAL ON LAST PAGE

No.	Revisions	Date	By/Par

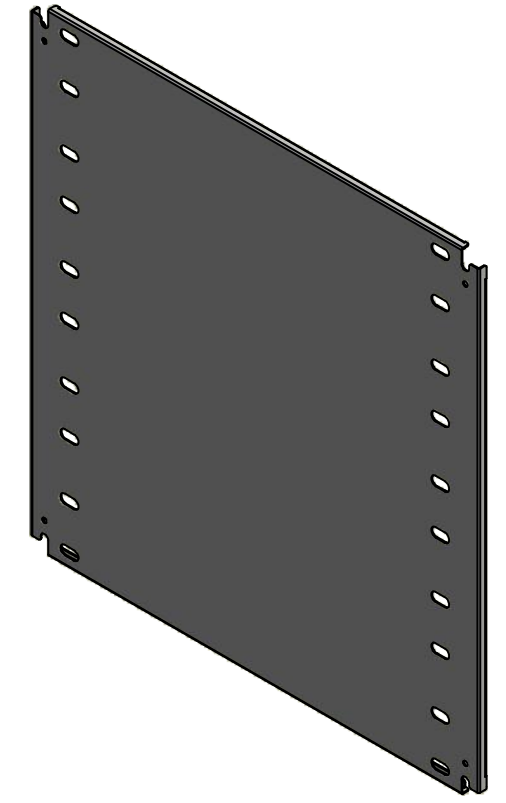


<p>Tél: (450) 979-4373 Fax: (450) 979-4626 www.exmweb.com</p>	Flatness Aplatissement	Max 3.0mm
	Projection	
Customer Client	Date	
Drawn By Dessiné Par	BoxCad: BoxCad	Date 2022-10-04
Material Matière	14 Ga Cold Rolled A1008 CS Type B (1.7mm)	
Color Couleur	White RAL9003	Finish Fini Smooth
Description	Detail Rev.	
1412BT 30.625" x 29" Left Inner Panel		
Part Number Numéro Pièce	Rev.	15
1412BT121005DTIP1	0	18

This drawing is confidential and must not be reproduced or used without the consent of EXM


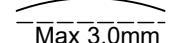
Ce dessin est confidentiel et ne doit pas être reproduit ou utilisé sans le consentement de EXM

No.	Revisions	Date	By/Par



Isometric View

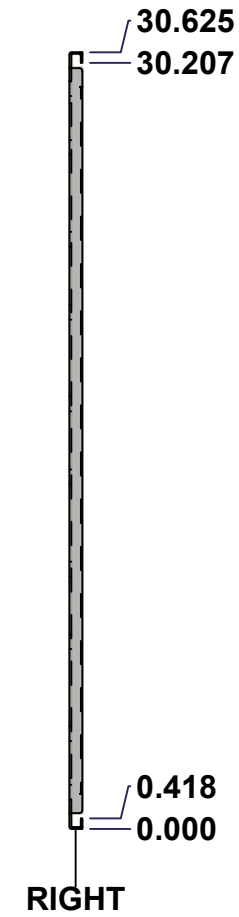
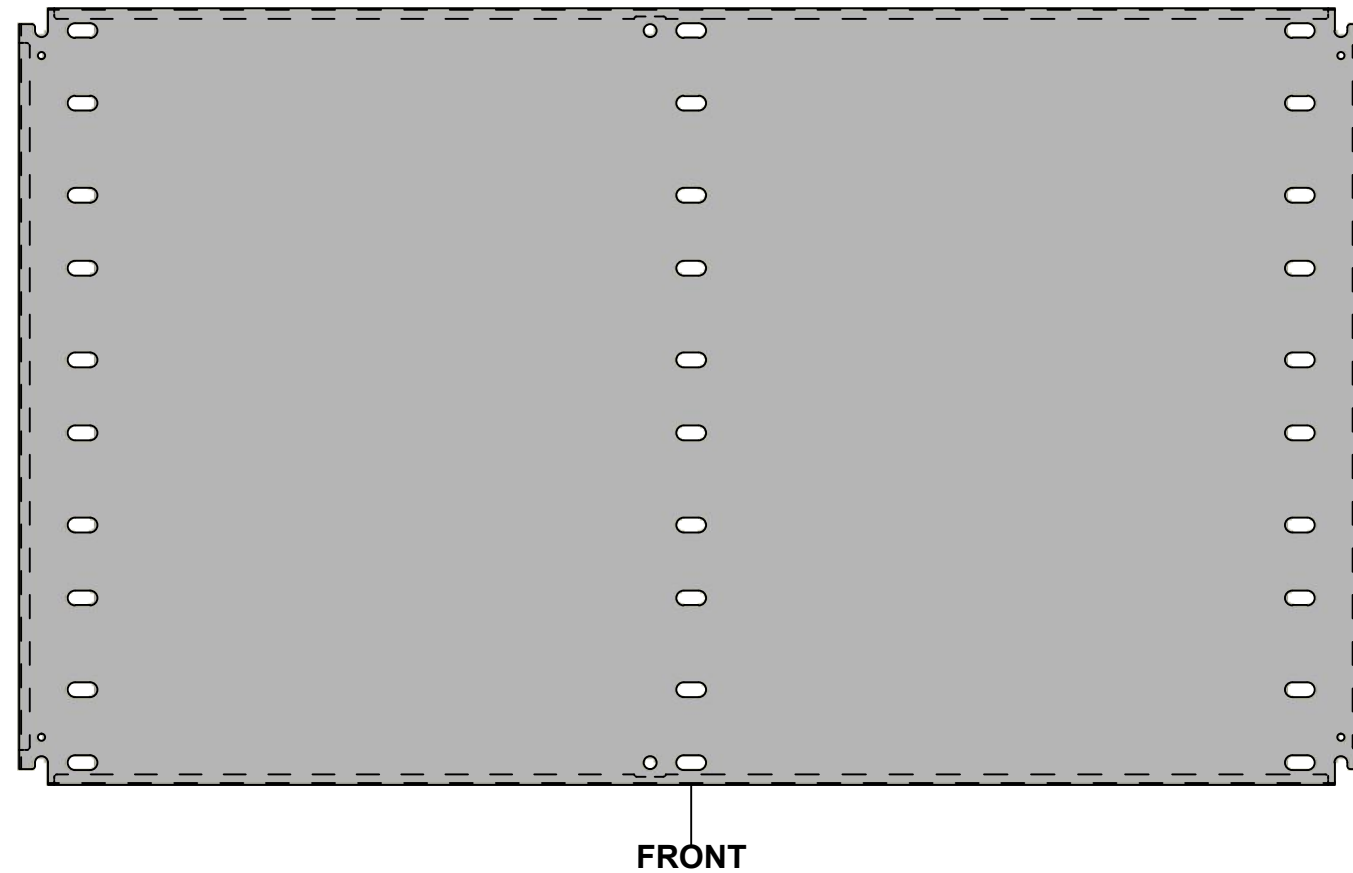
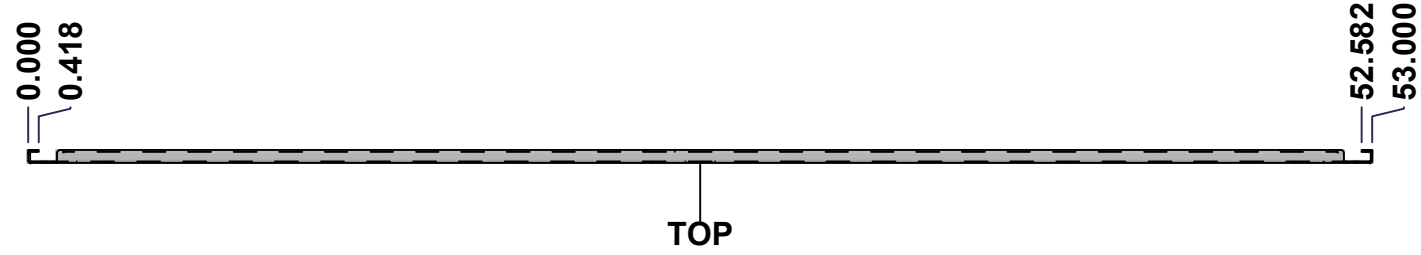


 Tél: (450) 979-4373 Fax: (450) 979-4626 www.exmweb.com		Flatness Aplatissement  Max 3.0mm	
Customer Client		Date	
Drawn By Dessiné Par BoxCad: BoxCad		Date 2022-10-04	
Material Matière 14 Ga Cold Rolled A1008 CS Type B (1.7mm)			
Color Couleur White RAL9003		Finish Fini Smooth	
Description 1412BT 30.625" x 29" Left Inner Panel			Detail Rev.
Part Number Numéro Pièce 1412BT121005DTIP1		Rev. 0	16 18

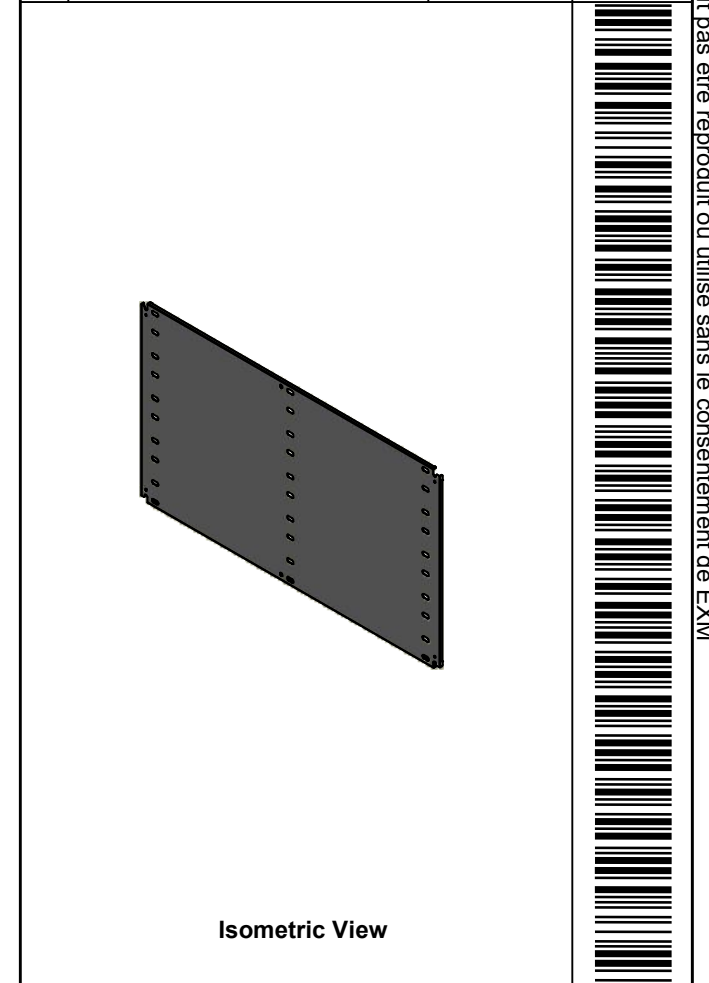
Qty	Part Number	Rev	Description
1	STK-P-02401S	0	Powder Paint (White / Smooth)
1	1412BT121005DTIP1-P	0	1412BT 30.625" x 144" Left Inner Panel Part
Parts List			


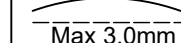
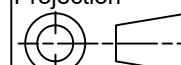
This drawing is confidential and must not be reproduced or used without the consent of EXM

Ce dessin est confidentiel et ne doit pas être reproduit ou utilisé sans le consentement de EXM



No.	Revisions	Date	By/Par



 Tél: (450) 979-4373 Fax: (450) 979-4626 www.exmweb.com		Flatness Aplatissement  Max 3.0mm Projection 
Customer Client	Date	
Drawn By Dessiné Par	BoxCad: BoxCad	Date 2022-10-04
Material Matière	14 Ga Cold Rolled A1008 CS Type B (1.7mm)	
Color Couleur	White RAL9003	Finish Fini Smooth
Description 1412BT 30.625" x 53" Right Inner Panel		Detail Rev.
Part Number Numéro Pièce	Rev. 0	17 18

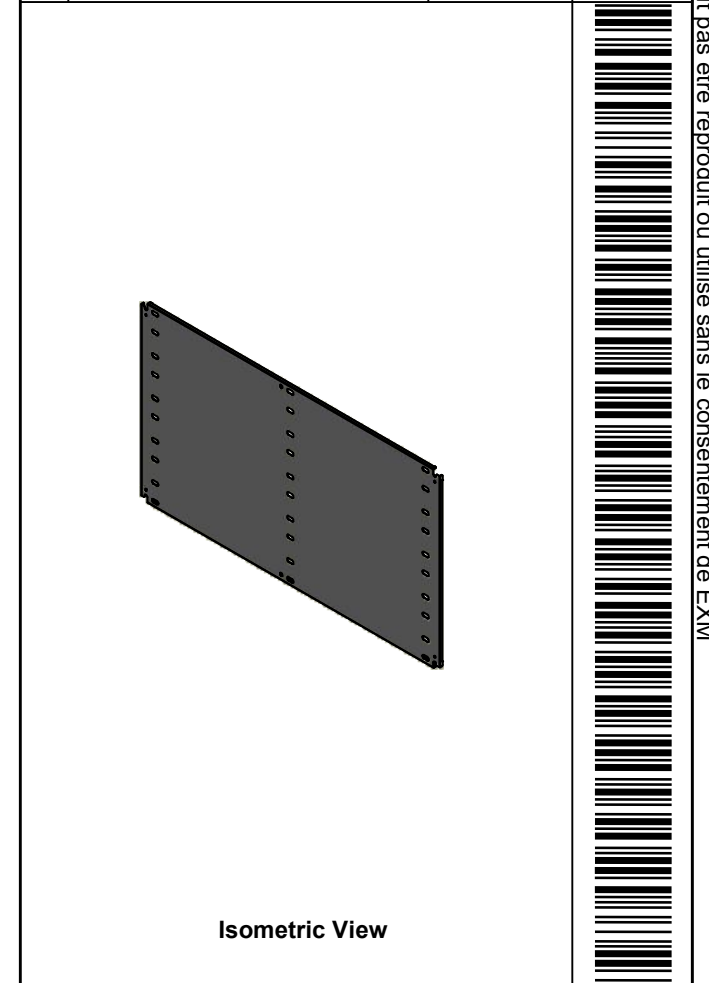
SEE BILL OF MATERIAL ON LAST PAGE


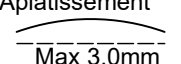
1412BT121005DTIP2

This drawing is confidential and must not be reproduced or used without the consent of EXM

Ce dessin est confidentiel et ne doit pas être reproduit ou utilisé sans le consentement de EXM

No.	Revisions	Date	By/Par



 Tél: (450) 979-4373 Fax: (450) 979-4626 www.exmweb.com		Flatness Aplatissement  Max 3.0mm
Customer Client		Date
Drawn By / Dessiné Par: BoxCad: BoxCad		Date: 2022-10-04
Material / Matière: 14 Ga Cold Rolled A1008 CS Type B (1.7mm)		
Color / Couleur: White RAL9003	Finish / Fini: Smooth	
Description: 1412BT 30.625" x 53" Right Inner Panel		Detail Rev.
Part Number / Numéro Pièce: 1412BT121005DTIP2		Rev. 0 / 18

Qty	Part Number	Rev	Description
1	STK-P-02401S	0	Powder Paint (White / Smooth)
1	1412BT121005DTIP2-P	0	1412BT 30.625" x 144" Right Inner Panel Part
Parts List			