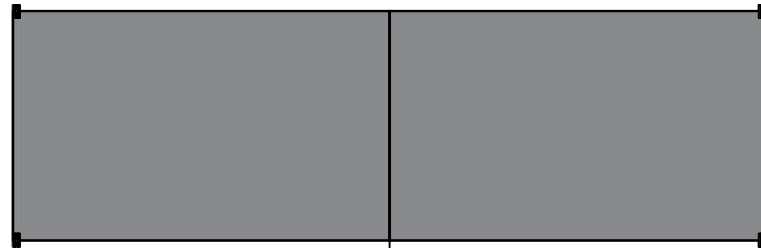


This drawing is confidential and must not be reproduced or used without the consent of EXM

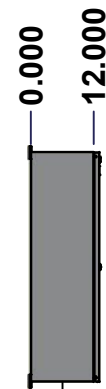
Ce dessin est confidentiel et ne doit pas être reproduit ou utilisé sans le consentement de EXM



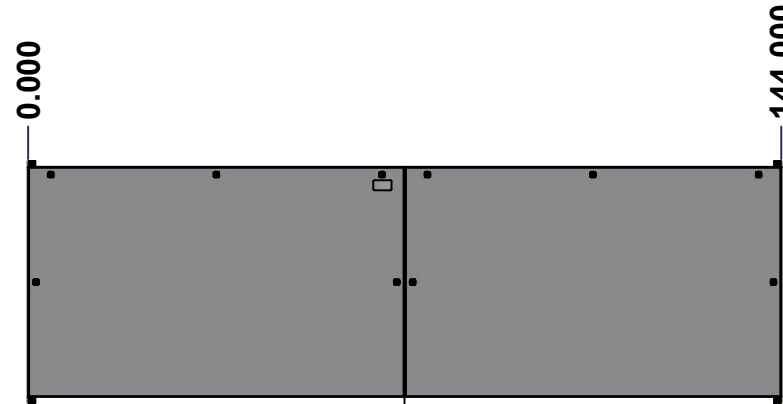
TOP



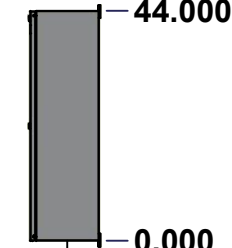
LEFT



LEFT



FRONT

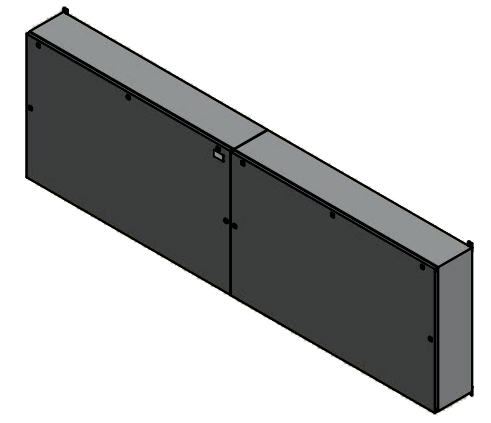


RIGHT



BOTTOM

No.	Revisions	Date	By/Par



Isometric View

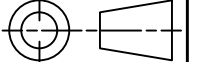


Tél: (450) 979-4373
 Fax: (450) 979-4626
www.exmweb.com

Flatness
Aplatissement

Max 3.0mm

Projection



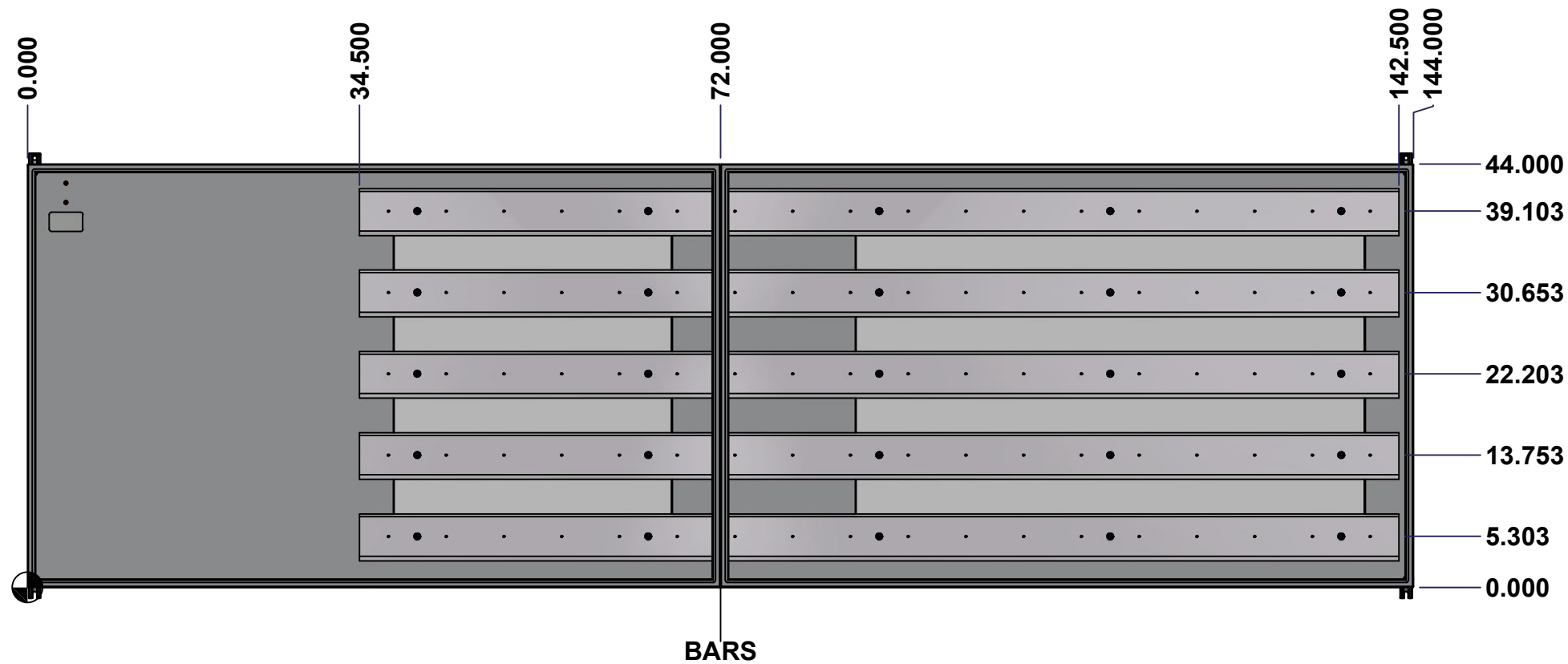
Customer Client	Date
Drawn By Dessiné Par BoxCad: BoxCad	Date 2022-10-05
Material Matière 14 Ga Cold Rolled A1008 CS Type B (1.7mm)	
Color Couleur Asa-61 Grey	Finish Fini Smooth
Description 1412BT 2000A - 5Wires x 144" Assembly	Detail Rev.
Part Number Numéro Pièce 1412BT122005DT	Rev. 0

SEE BILL OF MATERIAL ON LAST PAGE

This drawing is confidential and must not be reproduced or used without the consent of Eurobex

Ce dessin est confidentiel et ne doit pas être reproduit ou utilisé sans le consentement de Eurobex

STANDARD FEATURES ARE NOT LISTED IN THIS HOLE TABLE



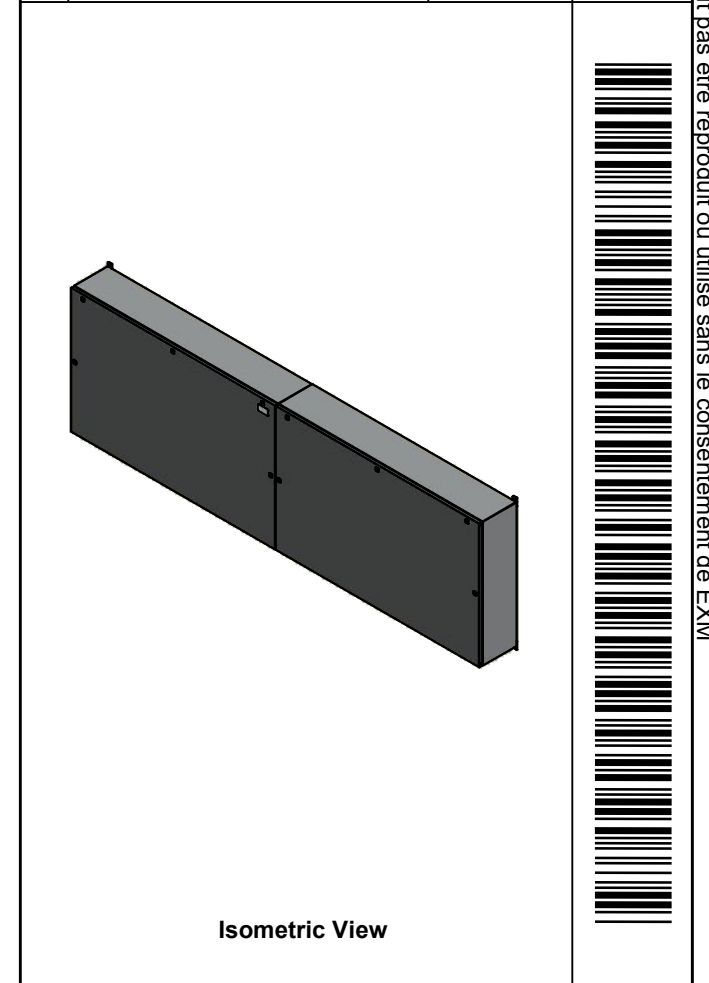
	Description		Status
	1412BT 2000A - 5Wires x 144" Assembly		(NULL)
Part Number Numéro Pièce		Rev.	2
1412BT122005DT		0	18

This drawing is confidential and must not be reproduced or used without the consent of EXM

Ce dessin est confidentiel et ne doit pas être reproduit ou utilisé sans le consentement de EXM


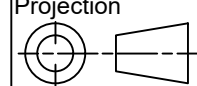
NOTE	
ITEM	DESCRIPTION
1	NEMA 4/12 Enclosure
2	C/W Standard ground studs on box and cover
3	W/O Standard door stiffener
4	C/W Special inner panel (Sold separately)
5	C/W Standard inner panel mounting studs

No.	Revisions	Date	By/Par



PACKING		
ITEM	QTY	DESCRIPTION
Cardboard sleeve	2	Top and Bottom
Cardboard strip	2	Between back of enclosure and inner panel
Plastic bag	1	To protect cover surface and inside gasket
Cardboard corner	4	To reinforced for the plastic strap tightening
Plastic strap - Black	2	To Squeeze 2 cardboard sleeve together
Packaging label	3	White label with PN
Plastic strap- Green	2	To secure the enclosure to the wood pallet
Wood Pallet	1	2" deeper and 3" larger than enclosure size

1	885 ESMF1	0	885 ESMF1 Mounting Feet Kit
1	1412BT122005DTIP2	0	1412BT 38.425" x 53" Right Inner Panel
1	1412BT122005DTBAR1-P	0	Rounded Edge Aluminum Bar 3/4" x 5"
1	1412BT122005DTBAR2-P	0	Rounded Edge Aluminum Bar 3/4" x 5"
1	1412BT122005DTBAR3-P	0	Rounded Edge Aluminum Bar 3/4" x 5"
1	1412BT122005DTBAR4-P	0	Rounded Edge Aluminum Bar 3/4" x 5"
1	1412BT122005DTBAR5-P	0	Rounded Edge Aluminum Bar 3/4" x 5"
1	1412BT122005DTIP1	0	1412BT 38.425" x 29" Left Inner Panel
25	STK-A-67400	0	Buss Bar Insulator Kit
1	STK-K-01800	5	5412 ES Accessory Kit
8	STK-Q-04050-07	7	M6 x 7mm Hexagon Socket Head Machine Screw with Nyseal
39	STK-Q-07310	2	Flange Lock Nut M8
14	STK-Q-07610	8	M8 Plastic Spacer 22.2mm
1	1412BT122005DTB	0	1412BT 44" x 144" x 12" Body
1	1412BT122005DTC	0	1412BT 44" x 144" Cover
Qty	Part Number	Rev	Description
Parts List			

 Tél: (450) 979-4373 Fax: (450) 979-4626 www.exmweb.com	Flatness Aplatissement
	Max 3.0mm
Projection	
Customer Client	Date
Drawn By Dessiné Par	Date 2022-10-05
Material Matière	14 Ga Cold Rolled A1008 CS Type B (1.7mm)
Color Couleur	Asa-61 Grey
Finish Fini	Smooth
Description	Detail Rev.
1412BT 2000A - 5Wires x 144" Assembly	
Part Number Numéro Pièce	Rev. 3
1412BT122005DT	0

This drawing is confidential and must not be reproduced or used without the consent of EXM

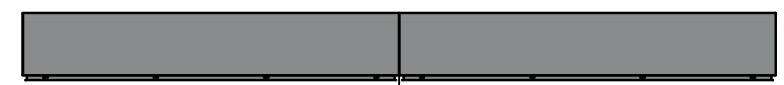
Ce dessin est confidentiel et ne doit pas être reproduit ou utilisé sans le consentement de EXM



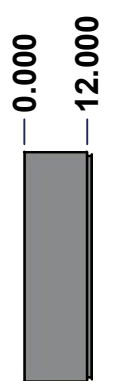
TOP



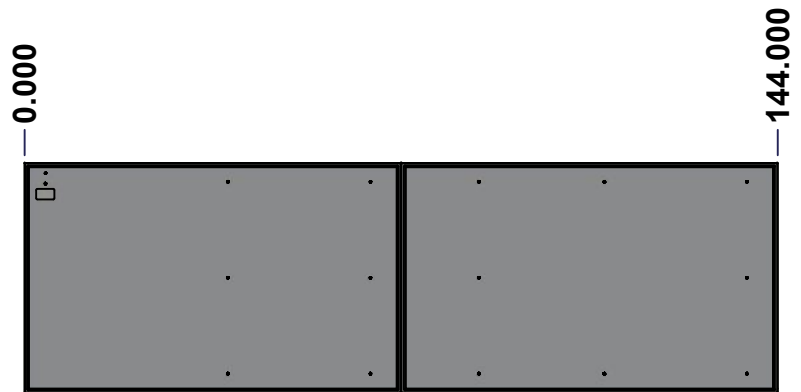
BACK



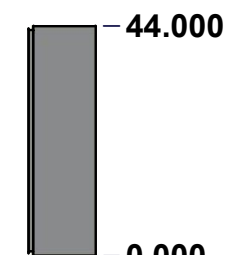
BOTTOM



LEFT

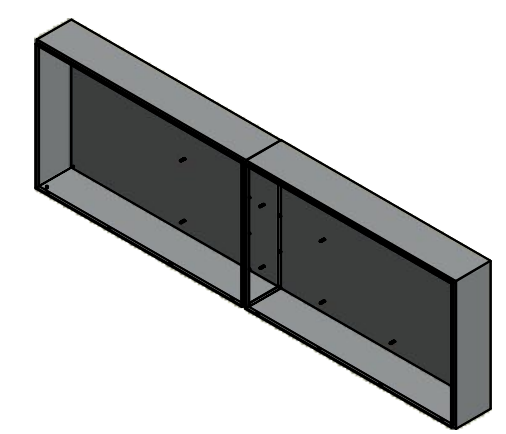


FRONT




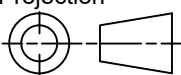
RIGHT

No.	Revisions	Date	By/Par



Isometric View



 Tél: (450) 979-4373 Fax: (450) 979-4626 www.exmweb.com		Flatness Aplatissement Max 3.0mm Projection 
Customer Client	Date	
Drawn By Dessiné Par	BoxCad: BoxCad	Date 2022-10-05
Material Matière	14 Ga Cold Rolled A1008 CS Type B (1.7mm)	
Color Couleur	Asa-61 Grey	Finish Fini Smooth
Description	Detail Rev.	
1412BT 44" x 144" x 12" Body		
Part Number Numéro Pièce	Rev.	4
1412BT122005DTB	0	18

SEE BILL OF MATERIAL ON LAST PAGE

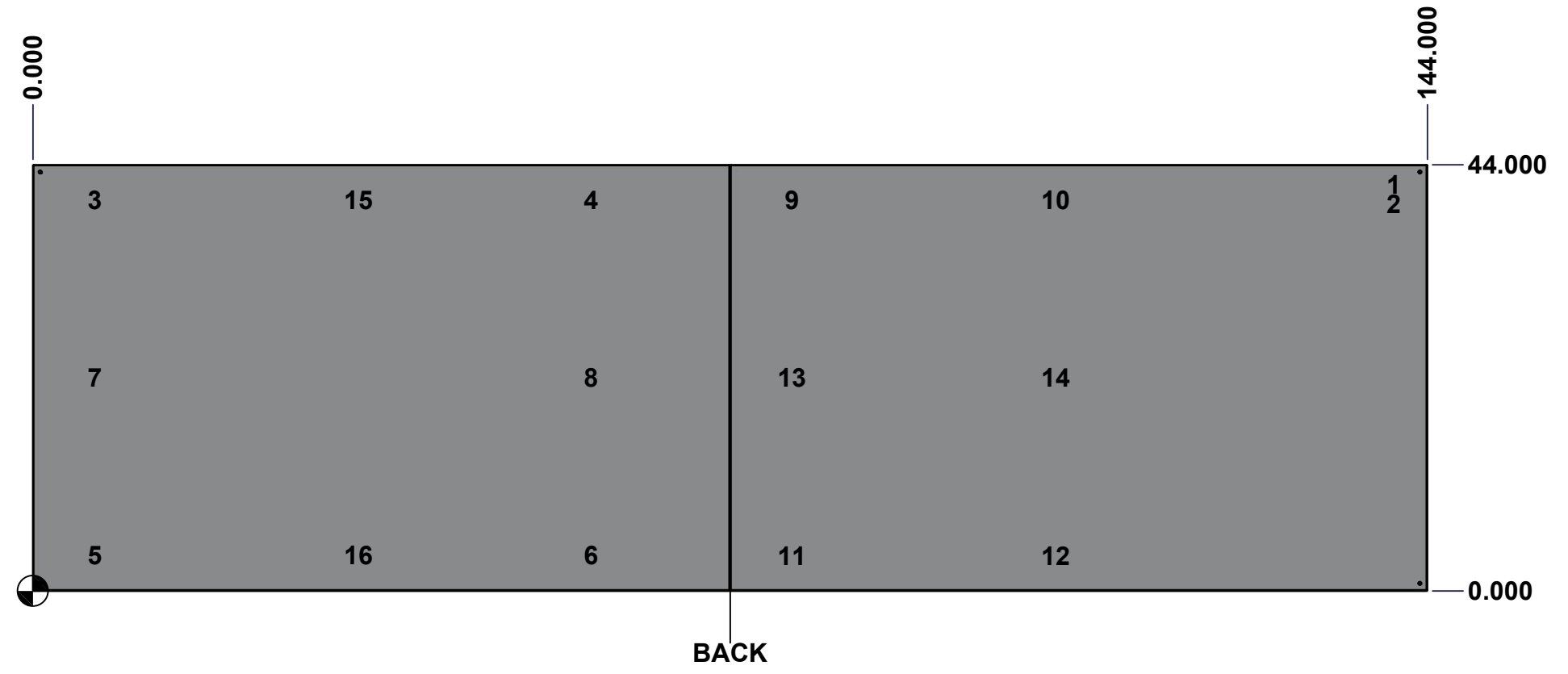
This drawing is confidential and must not be reproduced or used without the consent of Eurobox

Ce dessin est confidentiel et ne doit pas être reproduit ou utilisé sans le consentement de Eurobox

STANDARD FEATURES ARE NOT LISTED IN THIS HOLE TABLE

HOLE TABLE - BACK VIEW (CUSTOM FEATURE ONLY)

CUT-OUT	XDIM	YDIM	DESCRIPTION
1	140.000	42.000	GND STUD M8 x 35mm (Inside)
2	140.000	40.000	GND STUD M8 x 35mm (Inside)
3	5.875	40.350	IP STUD M8 x 35mm (Inside)
4	57.125	40.350	IP STUD M8 x 35mm (Inside)
5	5.875	3.675	IP STUD M8 x 35mm (Inside)
6	57.125	3.675	IP STUD M8 x 35mm (Inside)
7	5.875	22.013	IP STUD M8 x 35mm (Inside)
8	57.125	22.013	IP STUD M8 x 35mm (Inside)
9	77.875	40.350	IP STUD M8 x 35mm (Inside)
10	105.125	40.350	IP STUD M8 x 35mm (Inside)
11	77.875	3.675	IP STUD M8 x 35mm (Inside)
12	105.125	3.675	IP STUD M8 x 35mm (Inside)
13	77.875	22.013	IP STUD M8 x 35mm (Inside)
14	105.125	22.013	IP STUD M8 x 35mm (Inside)
15	33.125	40.350	IP STUD M8 x 35mm (Inside)
16	33.125	3.675	IP STUD M8 x 35mm (Inside)

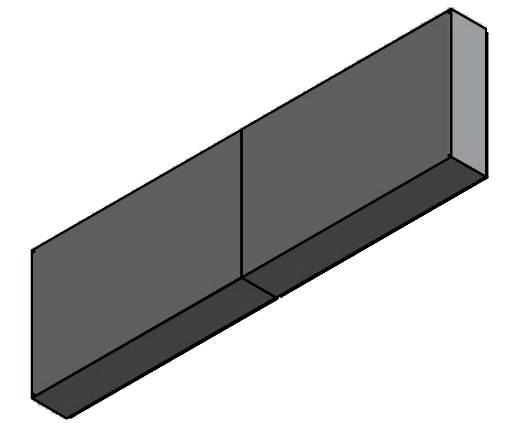


	Description		Status
	1412BT 44" x 144" x 12" Body		(NULL)
Part Number Numéro Pièce		Rev.	5
1412BT122005DTB		0	18

This drawing is confidential and must not be reproduced or used without the consent of EXM

Ce dessin est confidentiel et ne doit pas être reproduit ou utilisé sans le consentement de EXM

No.	Revisions	Date	By/Par



Isometric View



Tél: (450) 979-4373
 Fax: (450) 979-4626
www.exmweb.com

Flatness
Aplatissement
Max 3.0mm
Projection

Customer Client	Date
Drawn By Dessiné Par BoxCad: BoxCad	Date 2022-10-05
Material Matière 14 Ga Cold Rolled A1008 CS Type B (1.7mm)	

Color Couleur	Asa-61 Grey	Finish Fini	Smooth
------------------	-------------	----------------	--------

Description	Detail Rev.
1412BT 44" x 144" x 12" Body	

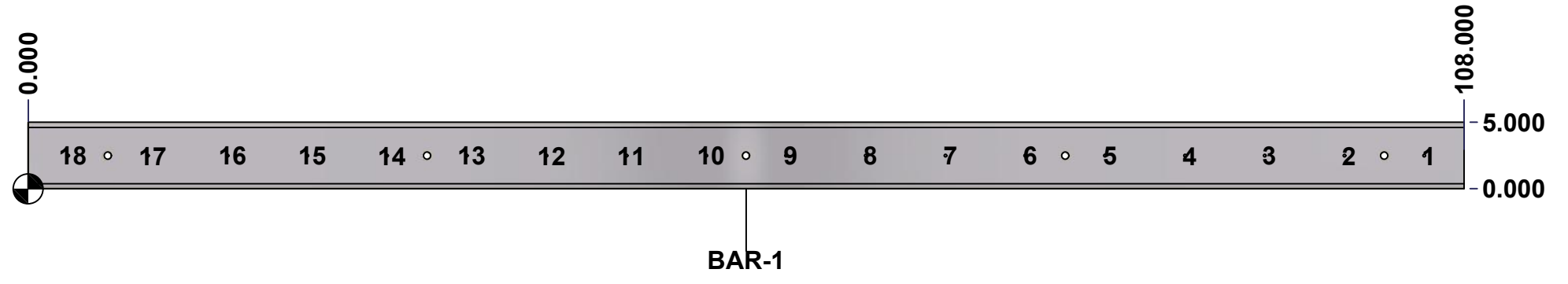
Part Number Numéro Pièce	Rev.	6
1412BT122005DTB	0	18

Qty	Part Number	Rev	Description
1	STK-P-02400S	0	Powder Paint (Asa-61 Grey / Smooth)
1	1412BT122005DTB-P	0	1412BT 44" x 144" x 12" Left Body Part
1	1412BT122005DTE-P	0	1412BT 44" x 144" x 12" Right Body Part
1	STK-G-00701	0	1" x 1/4" Self-Adhesive Neoprene Gasket
10	STK-Q-00260	1	M6 x 13mm Carriage Bolt
10	STK-Q-07220	1	M6 Nylon Insert Lock Nut
16	STK-Q-16005	1	Stud M8 x 35 (No Paint Cap Required)
2	STK-Q-16080	0	Ground Stud M6 x 16mm
1	STK-S-00100	0	3.5" x 2" Silver Milar Flexcon Sticker
Parts List			

This drawing is confidential and must not be reproduced or used without the consent of Eurobox

Ce dessin est confidentiel et ne doit pas être reproduit ou utilisé sans le consentement de Eurobox

STANDARD FEATURES ARE NOT LISTED IN THIS HOLE TABLE			
HOLE TABLE - FRONT VIEW (CUSTOM FEATURE ONLY)			
CUT-OUT	XDIM	YDIM	DESCRIPTION
1	105.000	2.500	RND Ø0.201 THREAD 1/4-20 UNC
2	99.000	2.500	RND Ø0.201 THREAD 1/4-20 UNC
3	93.000	2.500	RND Ø0.201 THREAD 1/4-20 UNC
4	87.000	2.500	RND Ø0.201 THREAD 1/4-20 UNC
5	81.000	2.500	RND Ø0.201 THREAD 1/4-20 UNC
6	75.000	2.500	RND Ø0.201 THREAD 1/4-20 UNC
7	69.000	2.500	RND Ø0.201 THREAD 1/4-20 UNC
8	63.000	2.500	RND Ø0.201 THREAD 1/4-20 UNC
9	57.000	2.500	RND Ø0.201 THREAD 1/4-20 UNC
10	51.000	2.500	RND Ø0.201 THREAD 1/4-20 UNC
11	45.000	2.500	RND Ø0.201 THREAD 1/4-20 UNC
12	39.000	2.500	RND Ø0.201 THREAD 1/4-20 UNC
13	33.000	2.500	RND Ø0.201 THREAD 1/4-20 UNC
14	27.000	2.500	RND Ø0.201 THREAD 1/4-20 UNC
15	21.000	2.500	RND Ø0.201 THREAD 1/4-20 UNC
16	15.000	2.500	RND Ø0.201 THREAD 1/4-20 UNC
17	9.000	2.500	RND Ø0.201 THREAD 1/4-20 UNC
18	3.000	2.500	RND Ø0.201 THREAD 1/4-20 UNC

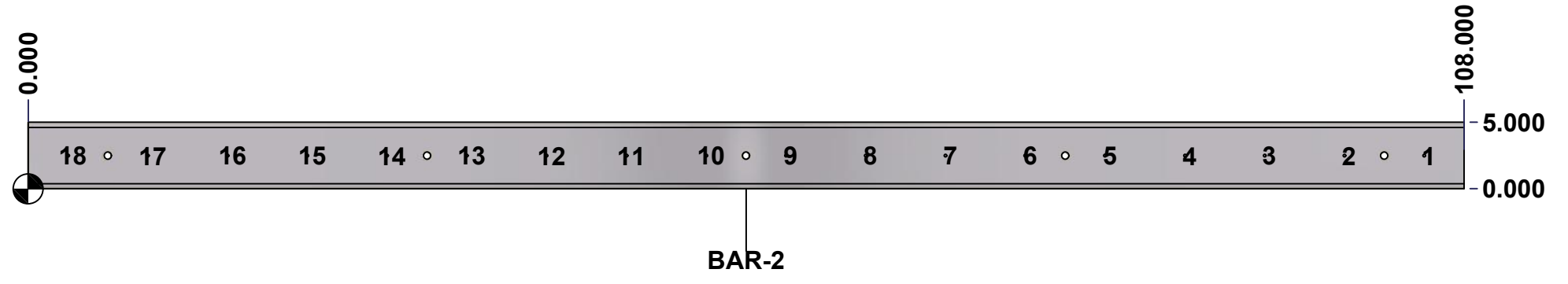


	Description	Status	
	Rounded Edge Aluminum Bar 3/4" x 5"	(NULL)	
	Part Number Numéro Pièce	Rev.	
	1412BT122005DTBAR1-P	0	7 18

This drawing is confidential and must not be reproduced or used without the consent of Eurobex

Ce dessin est confidentiel et ne doit pas être reproduit ou utilisé sans le consentement de Eurobex

STANDARD FEATURES ARE NOT LISTED IN THIS HOLE TABLE			
HOLE TABLE - FRONT VIEW (CUSTOM FEATURE ONLY)			
CUT-OUT	XDIM	YDIM	DESCRIPTION
1	105.000	2.500	RND Ø0.201 THREAD 1/4-20 UNC
2	99.000	2.500	RND Ø0.201 THREAD 1/4-20 UNC
3	93.000	2.500	RND Ø0.201 THREAD 1/4-20 UNC
4	87.000	2.500	RND Ø0.201 THREAD 1/4-20 UNC
5	81.000	2.500	RND Ø0.201 THREAD 1/4-20 UNC
6	75.000	2.500	RND Ø0.201 THREAD 1/4-20 UNC
7	69.000	2.500	RND Ø0.201 THREAD 1/4-20 UNC
8	63.000	2.500	RND Ø0.201 THREAD 1/4-20 UNC
9	57.000	2.500	RND Ø0.201 THREAD 1/4-20 UNC
10	51.000	2.500	RND Ø0.201 THREAD 1/4-20 UNC
11	45.000	2.500	RND Ø0.201 THREAD 1/4-20 UNC
12	39.000	2.500	RND Ø0.201 THREAD 1/4-20 UNC
13	33.000	2.500	RND Ø0.201 THREAD 1/4-20 UNC
14	27.000	2.500	RND Ø0.201 THREAD 1/4-20 UNC
15	21.000	2.500	RND Ø0.201 THREAD 1/4-20 UNC
16	15.000	2.500	RND Ø0.201 THREAD 1/4-20 UNC
17	9.000	2.500	RND Ø0.201 THREAD 1/4-20 UNC
18	3.000	2.500	RND Ø0.201 THREAD 1/4-20 UNC

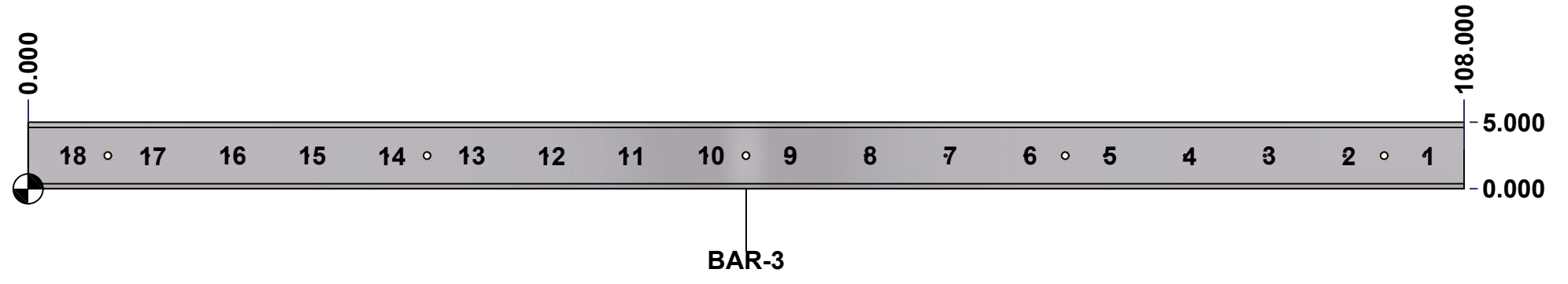


	Description	Status
	Rounded Edge Aluminum Bar 3/4" x 5"	(NULL)
	Part Number Numéro Pièce	Rev.
	1412BT122005DTBAR2-P	0 / 8
		18

This drawing is confidential and must not be reproduced or used without the consent of Eurobox

Ce dessin est confidentiel et ne doit pas être reproduit ou utilisé sans le consentement de Eurobox

STANDARD FEATURES ARE NOT LISTED IN THIS HOLE TABLE			
HOLE TABLE - FRONT VIEW (CUSTOM FEATURE ONLY)			
CUT-OUT	XDIM	YDIM	DESCRIPTION
1	105.000	2.500	RND Ø0.201 THREAD 1/4-20 UNC
2	99.000	2.500	RND Ø0.201 THREAD 1/4-20 UNC
3	93.000	2.500	RND Ø0.201 THREAD 1/4-20 UNC
4	87.000	2.500	RND Ø0.201 THREAD 1/4-20 UNC
5	81.000	2.500	RND Ø0.201 THREAD 1/4-20 UNC
6	75.000	2.500	RND Ø0.201 THREAD 1/4-20 UNC
7	69.000	2.500	RND Ø0.201 THREAD 1/4-20 UNC
8	63.000	2.500	RND Ø0.201 THREAD 1/4-20 UNC
9	57.000	2.500	RND Ø0.201 THREAD 1/4-20 UNC
10	51.000	2.500	RND Ø0.201 THREAD 1/4-20 UNC
11	45.000	2.500	RND Ø0.201 THREAD 1/4-20 UNC
12	39.000	2.500	RND Ø0.201 THREAD 1/4-20 UNC
13	33.000	2.500	RND Ø0.201 THREAD 1/4-20 UNC
14	27.000	2.500	RND Ø0.201 THREAD 1/4-20 UNC
15	21.000	2.500	RND Ø0.201 THREAD 1/4-20 UNC
16	15.000	2.500	RND Ø0.201 THREAD 1/4-20 UNC
17	9.000	2.500	RND Ø0.201 THREAD 1/4-20 UNC
18	3.000	2.500	RND Ø0.201 THREAD 1/4-20 UNC

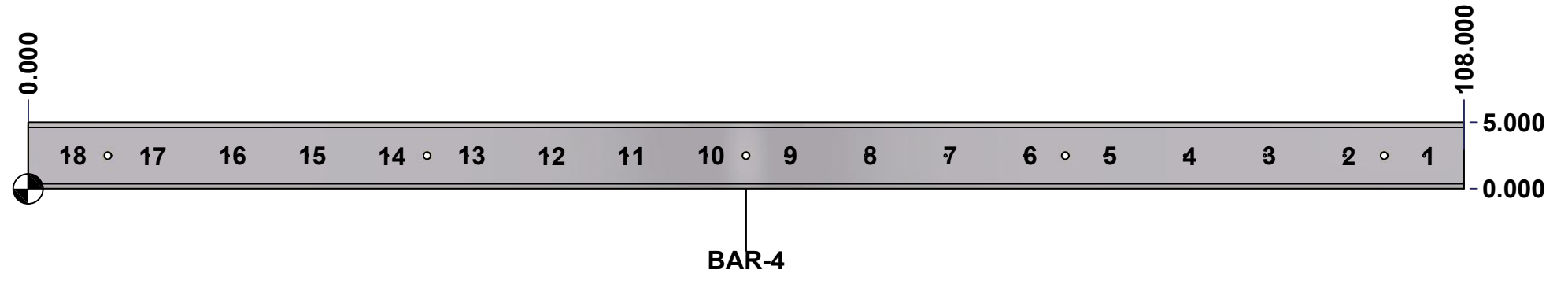


	Description	Status
	Rounded Edge Aluminum Bar 3/4" x 5"	(NULL)
	Part Number Numéro Pièce	Rev.
	1412BT122005DTBAR3-P	0
		9
		18

This drawing is confidential and must not be reproduced or used without the consent of Eurobox

Ce dessin est confidentiel et ne doit pas être reproduit ou utilisé sans le consentement de Eurobox

STANDARD FEATURES ARE NOT LISTED IN THIS HOLE TABLE			
HOLE TABLE - FRONT VIEW (CUSTOM FEATURE ONLY)			
CUT-OUT	XDIM	YDIM	DESCRIPTION
1	105.000	2.500	RND Ø0.201 THREAD 1/4-20 UNC
2	99.000	2.500	RND Ø0.201 THREAD 1/4-20 UNC
3	93.000	2.500	RND Ø0.201 THREAD 1/4-20 UNC
4	87.000	2.500	RND Ø0.201 THREAD 1/4-20 UNC
5	81.000	2.500	RND Ø0.201 THREAD 1/4-20 UNC
6	75.000	2.500	RND Ø0.201 THREAD 1/4-20 UNC
7	69.000	2.500	RND Ø0.201 THREAD 1/4-20 UNC
8	63.000	2.500	RND Ø0.201 THREAD 1/4-20 UNC
9	57.000	2.500	RND Ø0.201 THREAD 1/4-20 UNC
10	51.000	2.500	RND Ø0.201 THREAD 1/4-20 UNC
11	45.000	2.500	RND Ø0.201 THREAD 1/4-20 UNC
12	39.000	2.500	RND Ø0.201 THREAD 1/4-20 UNC
13	33.000	2.500	RND Ø0.201 THREAD 1/4-20 UNC
14	27.000	2.500	RND Ø0.201 THREAD 1/4-20 UNC
15	21.000	2.500	RND Ø0.201 THREAD 1/4-20 UNC
16	15.000	2.500	RND Ø0.201 THREAD 1/4-20 UNC
17	9.000	2.500	RND Ø0.201 THREAD 1/4-20 UNC
18	3.000	2.500	RND Ø0.201 THREAD 1/4-20 UNC

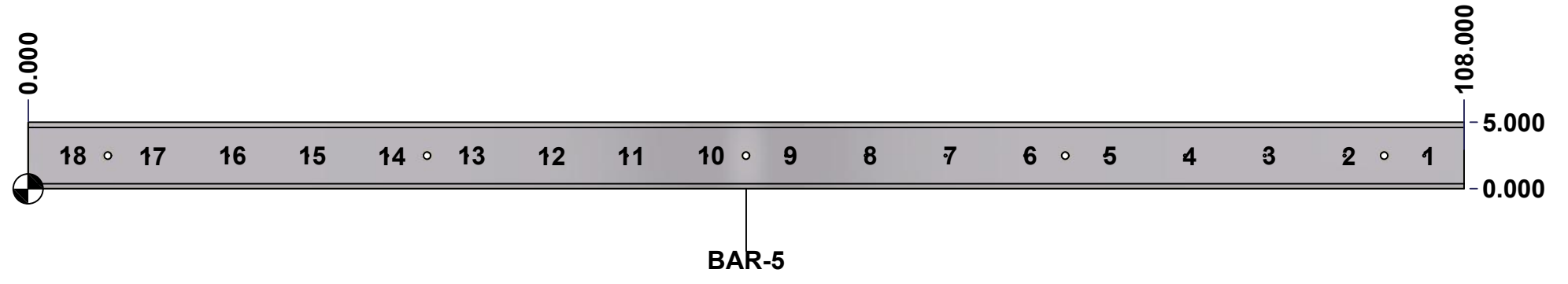


	Description	Status	
	Rounded Edge Aluminum Bar 3/4" x 5"	(NULL)	
	Part Number Numéro Pièce	Rev.	
	1412BT122005DTBAR4-P	0	10 18

This drawing is confidential and must not be reproduced or used without the consent of Eurobox

Ce dessin est confidentiel et ne doit pas être reproduit ou utilisé sans le consentement de Eurobox

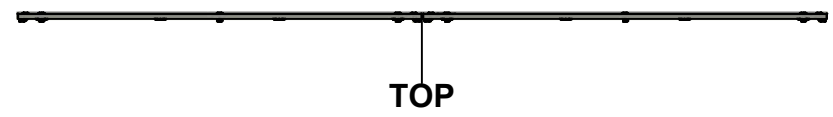
STANDARD FEATURES ARE NOT LISTED IN THIS HOLE TABLE			
HOLE TABLE - FRONT VIEW (CUSTOM FEATURE ONLY)			
CUT-OUT	XDIM	YDIM	DESCRIPTION
1	105.000	2.500	RND Ø0.201 THREAD 1/4-20 UNC
2	99.000	2.500	RND Ø0.201 THREAD 1/4-20 UNC
3	93.000	2.500	RND Ø0.201 THREAD 1/4-20 UNC
4	87.000	2.500	RND Ø0.201 THREAD 1/4-20 UNC
5	81.000	2.500	RND Ø0.201 THREAD 1/4-20 UNC
6	75.000	2.500	RND Ø0.201 THREAD 1/4-20 UNC
7	69.000	2.500	RND Ø0.201 THREAD 1/4-20 UNC
8	63.000	2.500	RND Ø0.201 THREAD 1/4-20 UNC
9	57.000	2.500	RND Ø0.201 THREAD 1/4-20 UNC
10	51.000	2.500	RND Ø0.201 THREAD 1/4-20 UNC
11	45.000	2.500	RND Ø0.201 THREAD 1/4-20 UNC
12	39.000	2.500	RND Ø0.201 THREAD 1/4-20 UNC
13	33.000	2.500	RND Ø0.201 THREAD 1/4-20 UNC
14	27.000	2.500	RND Ø0.201 THREAD 1/4-20 UNC
15	21.000	2.500	RND Ø0.201 THREAD 1/4-20 UNC
16	15.000	2.500	RND Ø0.201 THREAD 1/4-20 UNC
17	9.000	2.500	RND Ø0.201 THREAD 1/4-20 UNC
18	3.000	2.500	RND Ø0.201 THREAD 1/4-20 UNC



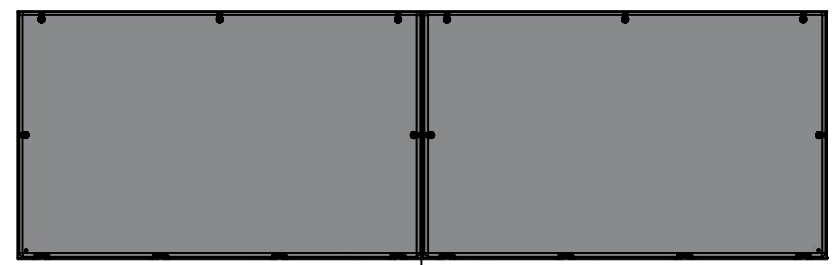
	Description	Status	
	Rounded Edge Aluminum Bar 3/4" x 5"	(NULL)	
	Part Number Numéro Pièce	Rev.	
	1412BT122005DTBAR5-P	0	11 18

This drawing is confidential and must not be reproduced or used without the consent of EXM

Ce dessin est confidentiel et ne doit pas être reproduit ou utilisé sans le consentement de EXM



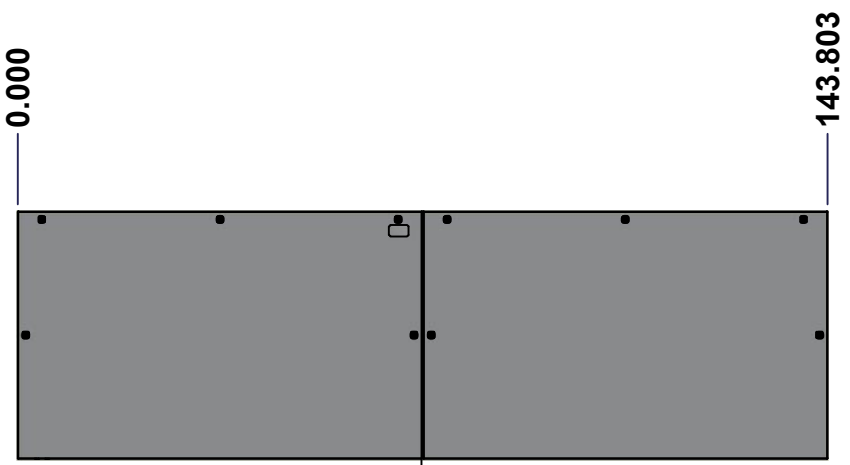
TOP



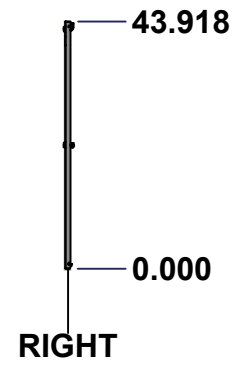
BACK



LEFT



FRONT



RIGHT



BOTTOM

No.	Revisions	Date	By/Par

Isometric View

Tél: (450) 979-4373 Fax: (450) 979-4626 www.exmweb.com		Flatness Aplatissement
		Max 3.0mm
Customer Client		Date
Drawn By Dessiné Par BoxCad: BoxCad		Date 2022-10-05
Material Matière 14 Ga Cold Rolled A1008 CS Type B (1.7mm)		
Color Couleur	Asa-61 Grey	Finish Fini Smooth
Description 1412BT 44" x 144" Cover		Detail Rev.
Part Number Numéro Pièce 1412BT122005DTC		Rev. 12 0 18

SEE BILL OF MATERIAL ON LAST PAGE

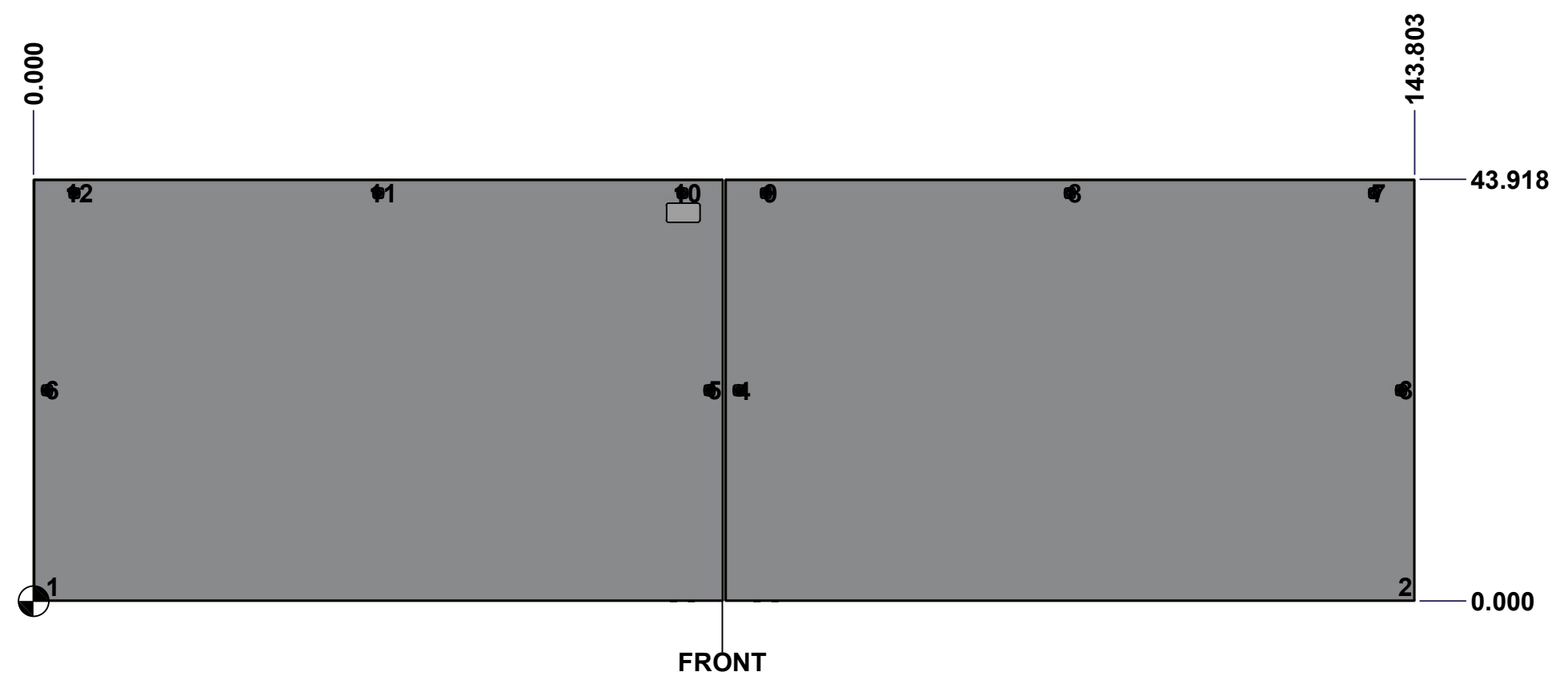
This drawing is confidential and must not be reproduced or used without the consent of Eurobox

Ce dessin est confidentiel et ne doit pas être reproduit ou utilisé sans le consentement de Eurobox

STANDARD FEATURES ARE NOT LISTED IN THIS HOLE TABLE

HOLE TABLE - FRONT VIEW (CUSTOM FEATURE ONLY)

CUT-OUT	XDIM	YDIM	DESCRIPTION
1	1.500	1.486	GND STUD M6 x 16mm (Inside)
2	142.303	1.486	GND STUD M6 x 16mm (Inside)
3	142.379	21.959	LOCK 880 SCQ4-SL @ 0.0°
4	73.424	21.959	LOCK 880 SCQ4-SL @ 180.0°
5	70.379	21.959	LOCK 880 SCQ4-SL @ 0.0°
6	1.424	21.959	LOCK 880 SCQ4-SL @ 180.0°
7	139.553	42.494	LOCK 880 SCQ4-SL @ 90.0°
8	107.902	42.494	LOCK 880 SCQ4-SL @ 90.0°
9	76.250	42.494	LOCK 880 SCQ4-SL @ 90.0°
10	67.553	42.494	LOCK 880 SCQ4-SL @ 90.0°
11	35.902	42.494	LOCK 880 SCQ4-SL @ 90.0°
12	4.250	42.494	LOCK 880 SCQ4-SL @ 90.0°

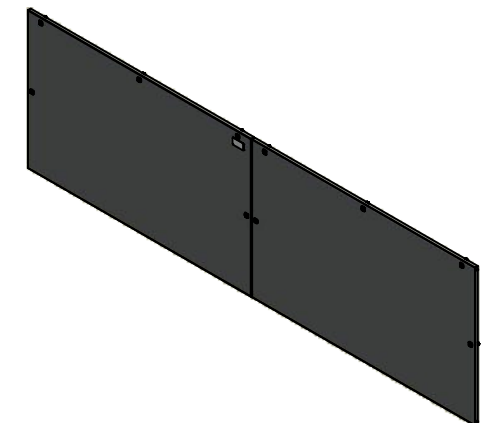


	Description	Status
	1412BT 44" x 144" Cover	(NULL)
	Part Number Numéro Pièce	Rev.
	1412BT122005DTC	0
		13
		18

This drawing is confidential and must not be reproduced or used without the consent of EXM

Ce dessin est confidentiel et ne doit pas être reproduit ou utilisé sans le consentement de EXM

No.	Revisions	Date	By/Par



Isometric View



Tél: (450) 979-4373
 Fax: (450) 979-4626
www.exmweb.com

Flatness
Aplatissement
Max 3.0mm
Projection

Customer Client
 Drawn By / Dessiné Par: BoxCad: BoxCad
 Date: 2022-10-05

Material / Matière: 14 Ga Cold Rolled A1008 CS Type B (1.7mm)

Color / Couleur: Asa-61 Grey
 Finish / Fini: Smooth

Description: 1412BT 44" x 144" Cover
 Detail Rev.

Part Number / Numéro Pièce: **1412BT122005DTC**
 Rev. 0

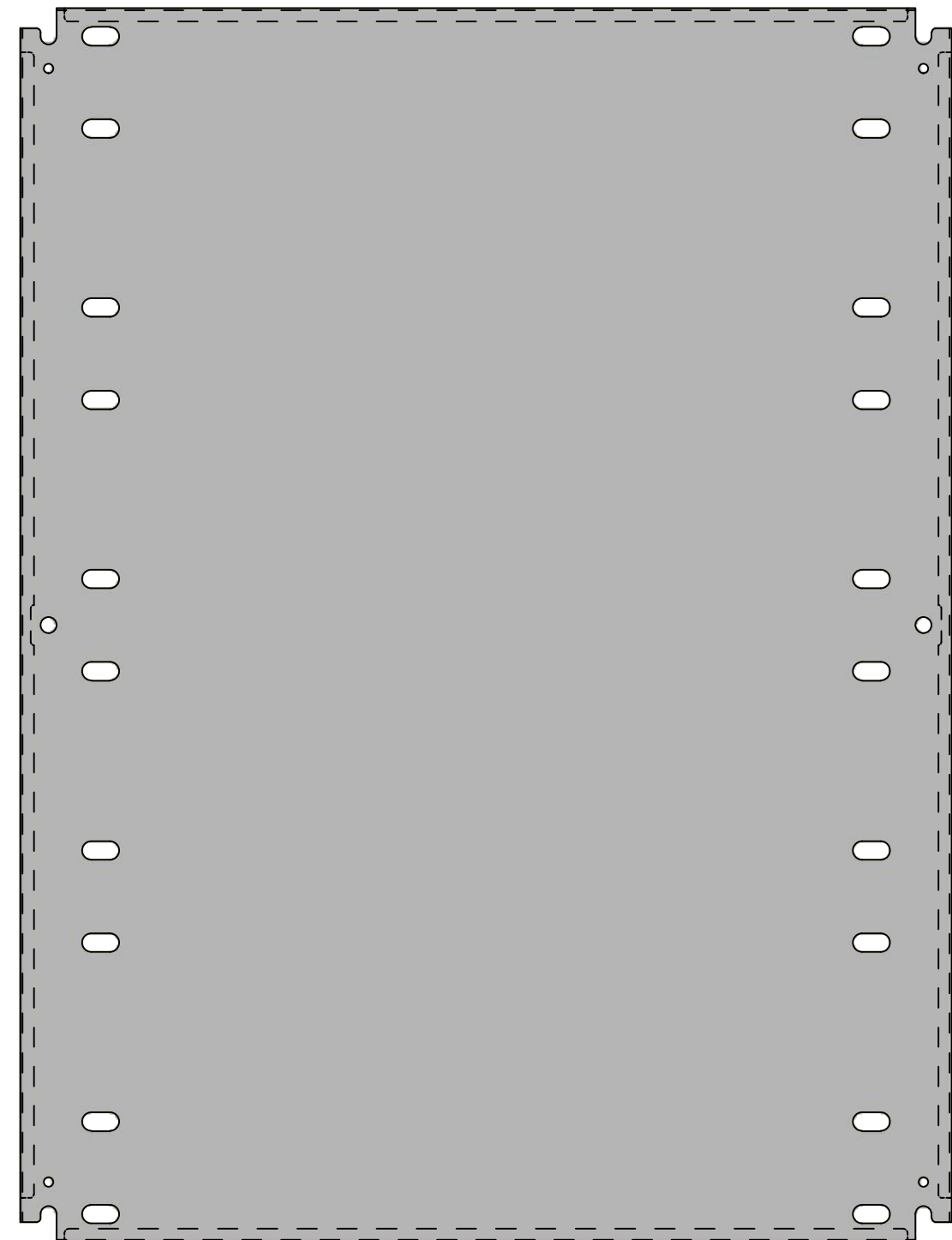
2	1412BT122005DTG	0	1412BT 44" x 144" Cover Gasket
1	STK-P-02400S	0	Powder Paint (Asa-61 Grey / Smooth)
8	STK-K-09800	10	5412 ES Hinge with 2 Captive Hinge Pins
2	STK-Q-16080	0	Ground Stud M6 x 16mm
1	STK-S-00100	0	3.5" x 2" Silver Milar Flexcon Sticker
1	1412BT122005DTC-P	0	1412BT 44" x 72" Left Cover Part
1	1412BT122005DTF-P	0	1412BT 44" x 144" Right Cover Part
10	880 SCQ4-SL	6	5412 ES 1/4 Turn Lock
Qty	Part Name	Rev	Description
Parts List			

This drawing is confidential and must not be reproduced or used without the consent of EXM

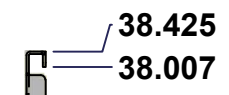
Ce dessin est confidentiel et ne doit pas être reproduit ou utilisé sans le consentement de EXM



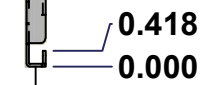
TOP



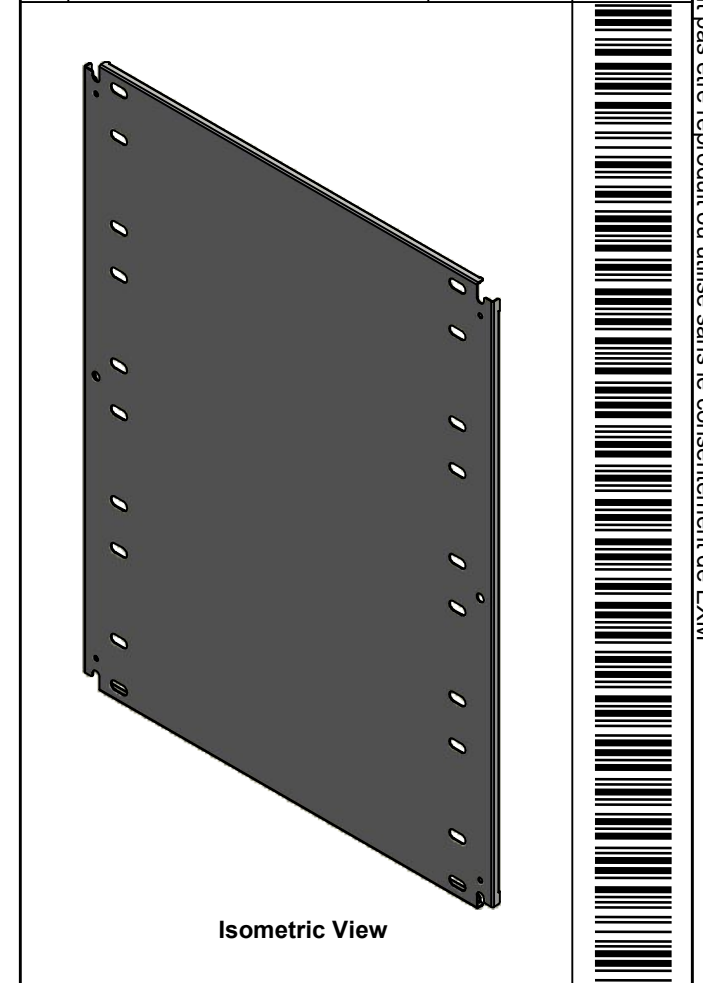
FRONT


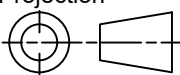


RIGHT



No.	Revisions	Date	By/Par



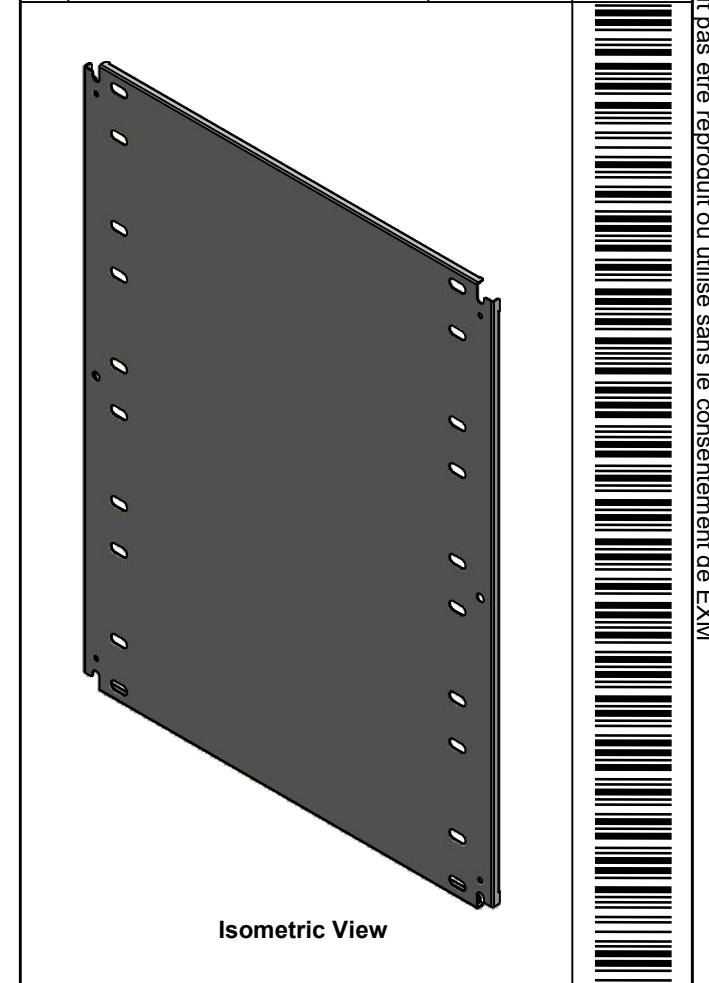
 Tél: (450) 979-4373 Fax: (450) 979-4626 www.exmweb.com	Flatness Aplatissement	Max 3.0mm
	Projection	
Customer Client	Date	
Drawn By Dessiné Par	BoxCad: BoxCad	Date 2022-10-05
Material Matière	14 Ga Cold Rolled A1008 CS Type B (1.7mm)	
Color Couleur	White RAL9003	Finish Fini Smooth
Description	Detail Rev.	
1412BT 38.425" x 29" Left Inner Panel		
Part Number Numéro Pièce	Rev.	15
1412BT122005DTIP1	0	18


SEE BILL OF MATERIAL ON LAST PAGE

This drawing is confidential and must not be reproduced or used without the consent of EXM

Ce dessin est confidentiel et ne doit pas être reproduit ou utilisé sans le consentement de EXM

No.	Revisions	Date	By/Par

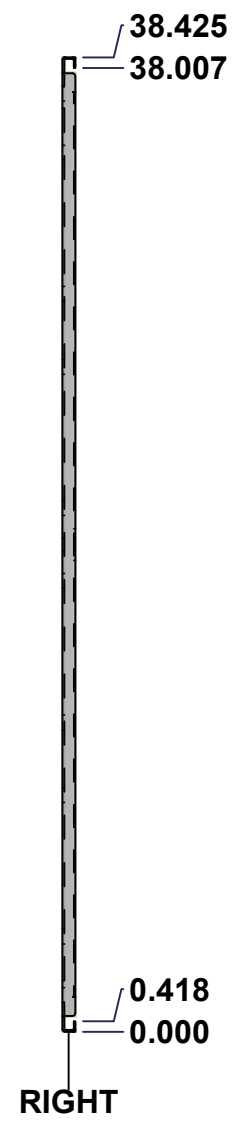
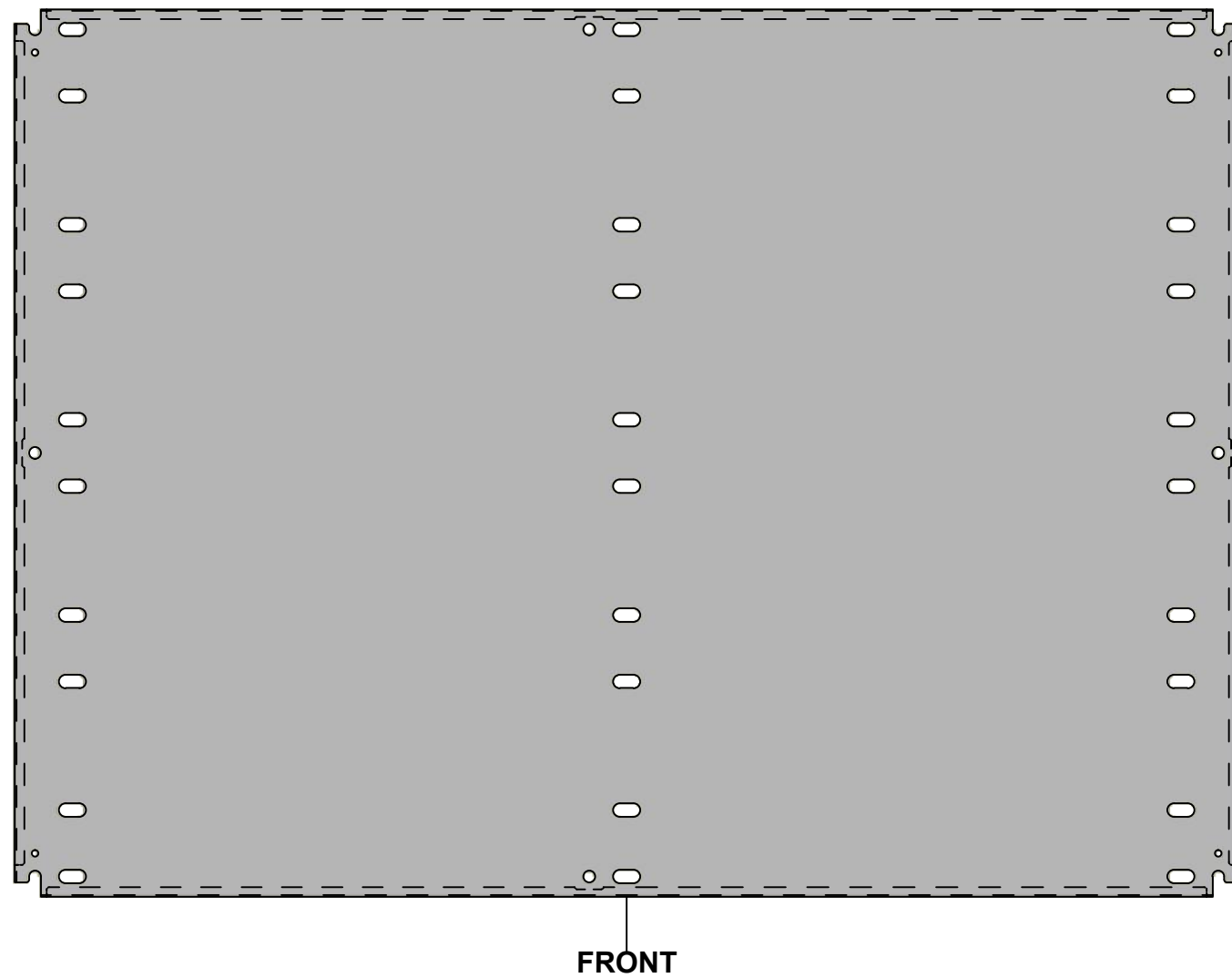
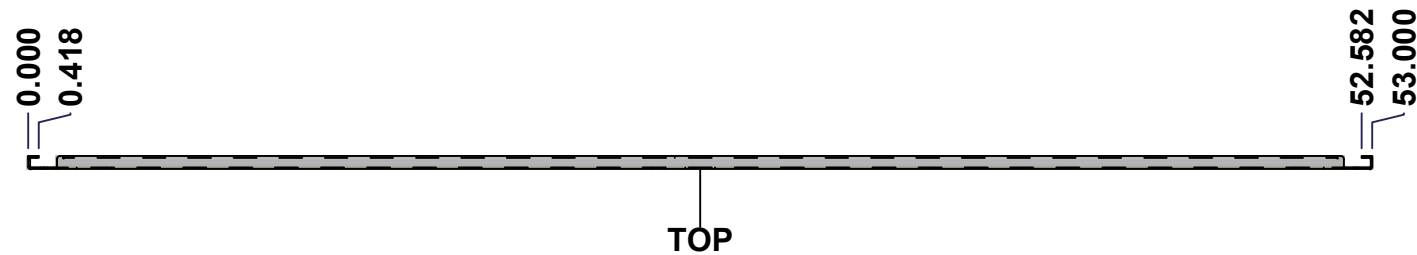


 Tél: (450) 979-4373 Fax: (450) 979-4626 www.exmweb.com		Flatness Aplatissement Max 3.0mm
Customer Client		Date
Drawn By / Dessiné Par: BoxCad: BoxCad		Date: 2022-10-05
Material / Matière: 14 Ga Cold Rolled A1008 CS Type B (1.7mm)		
Color / Couleur: White RAL9003	Finish / Fini: Smooth	
Description: 1412BT 38.425" x 29" Left Inner Panel		Detail Rev.
Part Number / Numéro Pièce: 1412BT122005DTIP1		Rev. 16 0

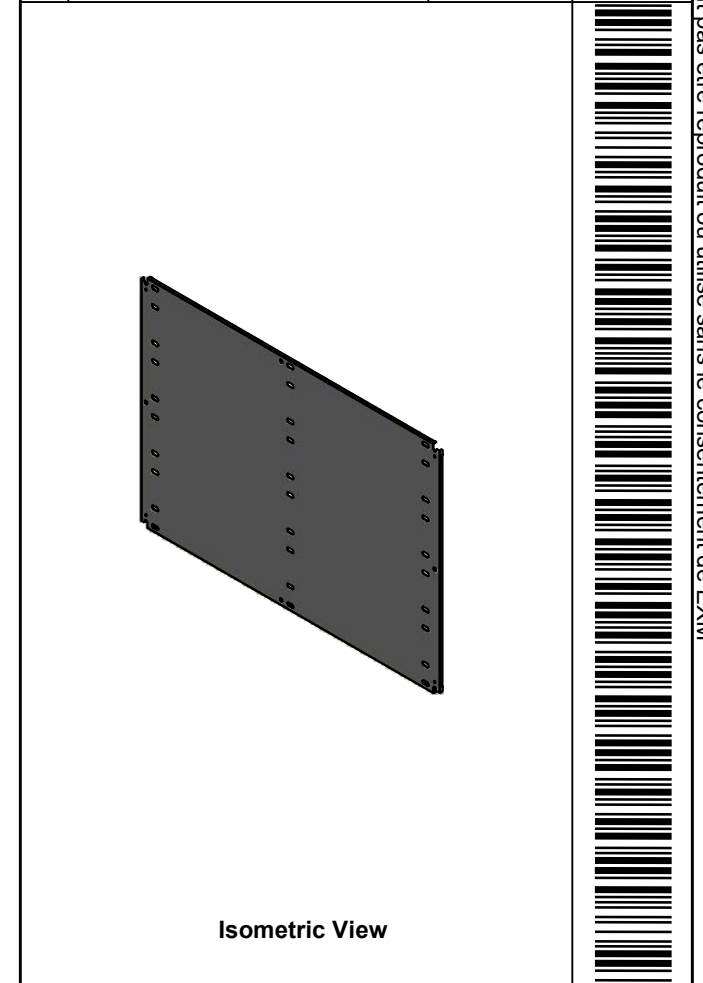
Qty	Part Number	Rev	Description
1	STK-P-02401S	0	Powder Paint (White / Smooth)
1	1412BT122005DTIP1-P	0	1412BT 38.425" x 144" Left Inner Panel Part
Parts List			

This drawing is confidential and must not be reproduced or used without the consent of EXM

Ce dessin est confidentiel et ne doit pas être reproduit ou utilisé sans le consentement de EXM



No.	Revisions	Date	By/Par



Tél: (450) 979-4373 Fax: (450) 979-4626 www.exmweb.com		Flatness Aplatissement Max 3.0mm Projection
Customer Client	Date	
Drawn By Dessiné Par	BoxCad: BoxCad	Date 2022-10-05
Material Matière	14 Ga Cold Rolled A1008 CS Type B (1.7mm)	
Color Couleur	White RAL9003	Finish Fini Smooth
Description 1412BT 38.425" x 53" Right Inner Panel		Detail Rev.
Part Number Numéro Pièce	Rev. 0	17 18

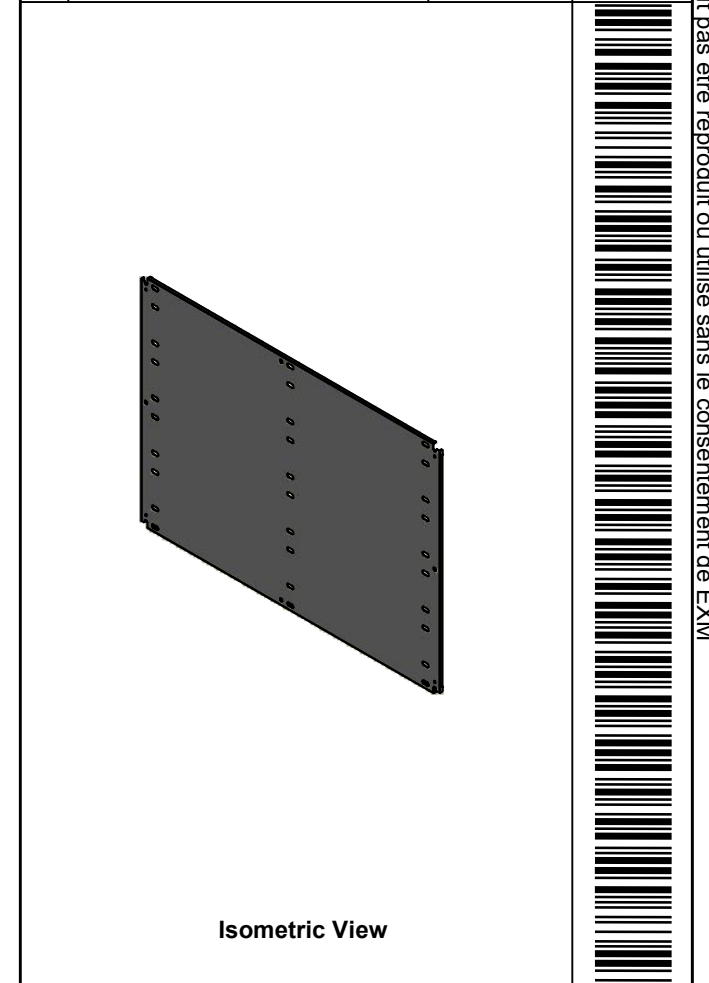
SEE BILL OF MATERIAL ON LAST PAGE


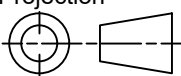
1412BT122005DTIP2

This drawing is confidential and must not be reproduced or used without the consent of EXM

Ce dessin est confidentiel et ne doit pas être reproduit ou utilisé sans le consentement de EXM

No.	Revisions	Date	By/Par



 Tél: (450) 979-4373 Fax: (450) 979-4626 www.exmweb.com		Flatness Aplatissement Max 3.0mm
Customer Client		Projection 
Drawn By / Dessiné Par: BoxCad: BoxCad		Date: 2022-10-05
Material / Matière: 14 Ga Cold Rolled A1008 CS Type B (1.7mm)		
Color / Couleur: White RAL9003	Finish / Fini: Smooth	
Description: 1412BT 38.425" x 53" Right Inner Panel		Detail Rev.
Part Number / Numéro Pièce: 1412BT122005DTIP2		Rev. 18 0

Qty	Part Number	Rev	Description
1	STK-P-02401S	0	Powder Paint (White / Smooth)
1	1412BT122005DTIP2-P	0	1412BT 38.425" x 144" Right Inner Panel Part
Parts List			