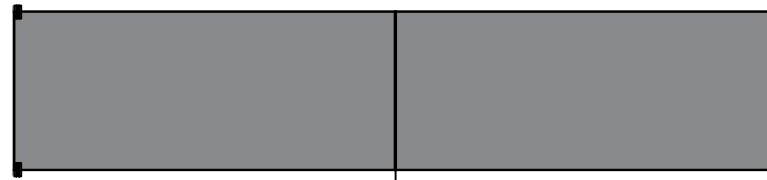


This drawing is confidential and must not be reproduced or used without the consent of EXM

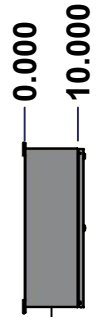
Ce dessin est confidentiel et ne doit pas être reproduit ou utilisé sans le consentement de EXM



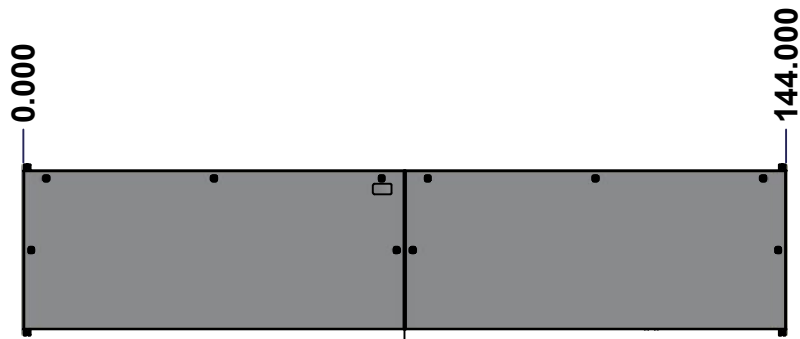
TOP



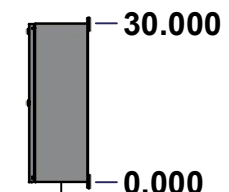
LEFT



LEFT



FRONT

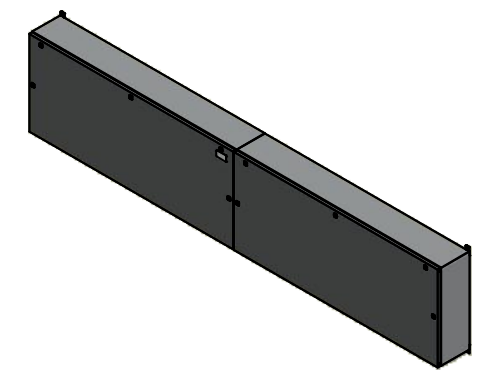


RIGHT



BOTTOM

| No. | Revisions | Date | By/Par |
|-----|-----------|------|--------|
| | | | |
| | | | |
| | | | |
| | | | |



Isometric View



Tél: (450) 979-4373
 Fax: (450) 979-4626
www.exmweb.com

Flatness
Aplatissement
Max 3.0mm
Projection

| | |
|---|-----------------------|
| Customer Client | Date |
| Drawn By Dessiné Par BoxCad: BoxCad | Date 09-Sep-22 |
| Material Matière 14 Ga Cold Rolled A1008 CS Type B (1.7mm) | |
| Color Couleur Asa-61 Grey | Finish Fini Smooth |
| Description 1412BT 600A - 4Wires x 144" Assembly | Detail Rev. |

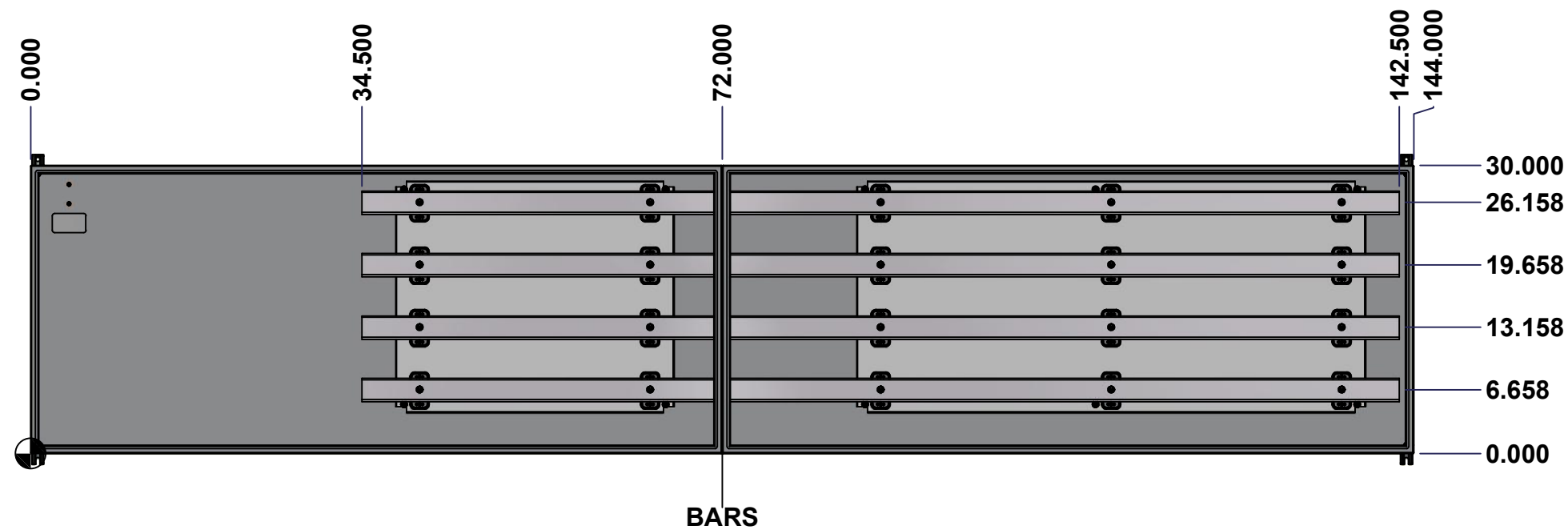
| | | |
|-----------------------------|----------|----|
| Part Number Numéro Pièce | Rev. | 1 |
| 1412BT12604 | 0 | 13 |

SEE BILL OF MATERIAL ON LAST PAGE

This drawing is confidential and must not be reproduced or used without the consent of Eurobex

Ce dessin est confidentiel et ne doit pas être reproduit ou utilisé sans le consentement de Eurobex

STANDARD FEATURES ARE NOT LISTED IN THIS HOLE TABLE



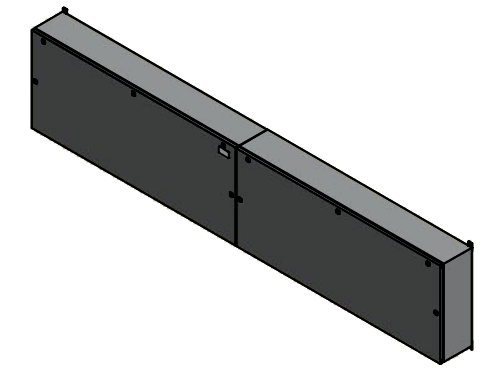
| | | | |
|-----------------------------|--------------------------------------|----------|--------|
| | Description | | Status |
| | 1412BT 600A - 4Wires x 144" Assembly | | (NULL) |
| Part Number Numéro Pièce | | Rev. | 2 |
| 1412BT12604 | | 0 | 13 |

This drawing is confidential and must not be reproduced or used without the consent of EXM

Ce dessin est confidentiel et ne doit pas être reproduit ou utilisé sans le consentement de EXM

| NOTE | |
|------|--|
| ITEM | DESCRIPTION |
| 1 | NEMA 4/12 Enclosure |
| 2 | C/W Standard ground studs on box and cover |
| 3 | W/O Standard door stiffener |
| 4 | C/W Special inner panel (Sold separately) |
| 5 | C/W Standard inner panel mounting studs |

| No. | Revisions | Date | By/Par |
|-----|-----------|------|--------|
| | | | |
| | | | |
| | | | |
| | | | |
| | | | |



Isometric View

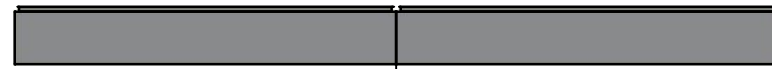
| PACKING | | |
|-----------------------|-----|--|
| ITEM | QTY | DESCRIPTION |
| Cardboard sleeve | 2 | Top and Bottom |
| Cardboard strip | 2 | Between back of enclosure and inner panel |
| Plastic bag | 1 | To protect cover surface and inside gasket |
| Cardboard corner | 4 | To reinforced for the plastic strap tightening |
| Plastic strap - Black | 2 | To Squeeze 2 cardboard sleeve together |
| Packaging label | 3 | White label with PN |
| Plastic strap- Green | 2 | To secure the enclosure to the wood pallet |
| Wood Pallet | 1 | 2" deeper and 3" larger than enclosure size |

| | | | |
|------------|-------------------|-----|--|
| 1 | 885 ESMF1 | 0 | 885 ESMF1 Mounting Feet Kit |
| 1 | 1412BT12604IP2 | 0 | 1412BT 24.125" x 53" Right Inner Panel |
| 1 | 1412BT12604BAR1-P | 0 | Rounded Edge Aluminum Bar 3/8" x 2 1/2" |
| 1 | 1412BT12604BAR2-P | 0 | Rounded Edge Aluminum Bar 3/8" x 2 1/2" |
| 1 | 1412BT12604BAR3-P | 0 | Rounded Edge Aluminum Bar 3/8" x 2 1/2" |
| 1 | 1412BT12604BAR4-P | 0 | Rounded Edge Aluminum Bar 3/8" x 2 1/2" |
| 1 | 1412BT12604IP1 | 0 | 1412BT 24.125" x 29" Left Inner Panel |
| 20 | STK-A-67400 | 0 | Buss Bar Insulator Kit |
| 1 | STK-K-01800 | 5 | 5412 ES Accessory Kit |
| 8 | STK-Q-04050-07 | 7 | M6 x 7mm Hexagon Socket Head Machine Screw with Nyseal |
| 30 | STK-Q-07310 | 2 | Flange Lock Nut M8 |
| 10 | STK-Q-07610 | 8 | M8 Plastic Spacer 22.2mm |
| 1 | 1412BT12604B | 0 | 1412BT 30" x 144" x 10" Body |
| 1 | 1412BT12604C | 0 | 1412BT 30" x 144" Cover |
| Qty | Part Number | Rev | Description |
| Parts List | | | |

| | | |
|---|--|--|
| | Tél: (450) 979-4373 Fax: (450) 979-4626 www.exmweb.com | Flatness Aplatissement Max 3.0mm |
| | Projection | Customer Client |
| Drawn By Dessiné Par | BoxCad: BoxCad | Date 09-Sep-22 |
| Material Matière | 14 Ga Cold Rolled A1008 CS Type B (1.7mm) | |
| Color Couleur | Asa-61 Grey | Finish Fini Smooth |
| Description 1412BT 600A - 4Wires x 144" Assembly | | Detail Rev. |
| Part Number Numéro Pièce 1412BT12604 | | Rev. 3 0 |

This drawing is confidential and must not be reproduced or used without the consent of EXM

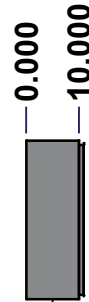
Ce dessin est confidentiel et ne doit pas être reproduit ou utilisé sans le consentement de EXM



TOP



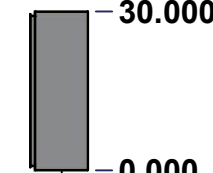
BACK



LEFT



FRONT

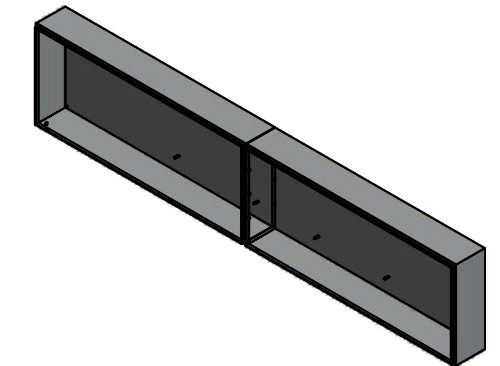


RIGHT



BOTTOM

| No. | Revisions | Date | By/Par |
|-----|-----------|------|--------|
| | | | |
| | | | |
| | | | |
| | | | |
| | | | |



Isometric View

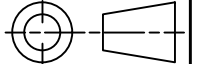


Tél: (450) 979-4373
 Fax: (450) 979-4626
www.exmweb.com

Flatness
Aplatissement

Max 3.0mm

Projection



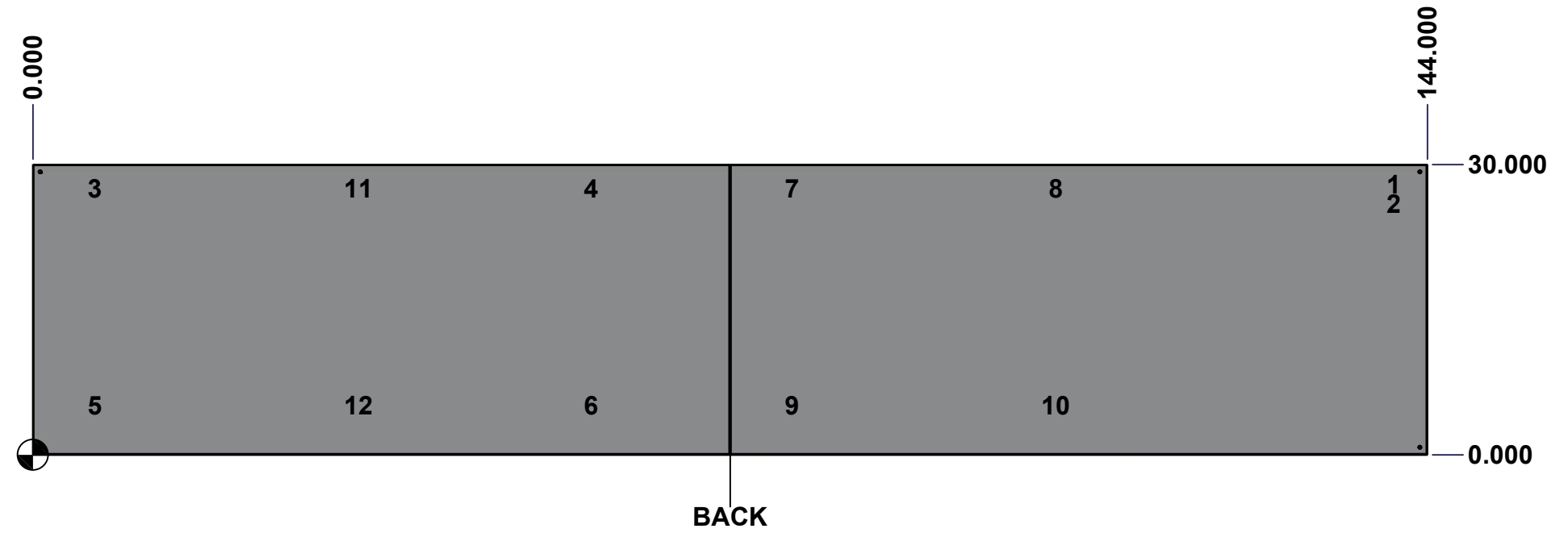
| | |
|---|-----------------------|
| Customer Client | Date |
| Drawn By / Dessiné Par: BoxCad: BoxCad | Date: 09-Sep-22 |
| Material / Matière: 14 Ga Cold Rolled A1008 CS Type B (1.7mm) | |
| Color / Couleur: Asa-61 Grey | Finish / Fini: Smooth |
| Description: 1412BT 30" x 144" x 10" Body | Detail Rev. |
| Part Number / Numéro Pièce: 1412BT12604B | Rev. 4 |
| | 0 |

SEE BILL OF MATERIAL ON LAST PAGE

This drawing is confidential and must not be reproduced or used without the consent of Eurobox

Ce dessin est confidentiel et ne doit pas être reproduit ou utilisé sans le consentement de Eurobox

| STANDARD FEATURES ARE NOT LISTED IN THIS HOLE TABLE | | | |
|---|---------|--------|-----------------------------|
| HOLE TABLE - BACK VIEW (CUSTOM FEATURE ONLY) | | | |
| CUT-OUT | XDIM | YDIM | DESCRIPTION |
| 1 | 140.000 | 28.000 | GND STUD M8 x 35mm (Inside) |
| 2 | 140.000 | 26.000 | GND STUD M8 x 35mm (Inside) |
| 3 | 5.875 | 27.500 | IP STUD M8 x 35mm (Inside) |
| 4 | 57.125 | 27.500 | IP STUD M8 x 35mm (Inside) |
| 5 | 5.875 | 5.125 | IP STUD M8 x 35mm (Inside) |
| 6 | 57.125 | 5.125 | IP STUD M8 x 35mm (Inside) |
| 7 | 77.875 | 27.500 | IP STUD M8 x 35mm (Inside) |
| 8 | 105.125 | 27.500 | IP STUD M8 x 35mm (Inside) |
| 9 | 77.875 | 5.125 | IP STUD M8 x 35mm (Inside) |
| 10 | 105.125 | 5.125 | IP STUD M8 x 35mm (Inside) |
| 11 | 33.125 | 27.500 | IP STUD M8 x 35mm (Inside) |
| 12 | 33.125 | 5.125 | IP STUD M8 x 35mm (Inside) |

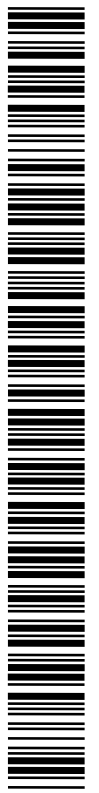
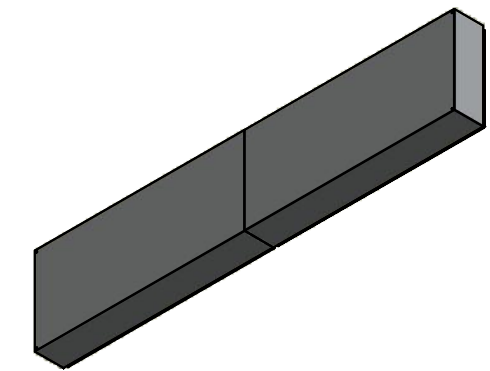


| | | |
|--|------------------------------|--------------|
| | Description | Status |
| | 1412BT 30" x 144" x 10" Body | (NULL) |
| | Part Number Numéro Pièce | Rev. |
| | 1412BT12604B | 0 / 5 |
| | | 13 |

This drawing is confidential and must not be reproduced or used without the consent of EXM

Ce dessin est confidentiel et ne doit pas être reproduit ou utilisé sans le consentement de EXM

| No. | Revisions | Date | By/Par |
|-----|-----------|------|--------|
| | | | |
| | | | |
| | | | |
| | | | |
| | | | |



Isometric View



Tél: (450) 979-4373
 Fax: (450) 979-4626
www.exmweb.com

Flatness
Aplatissement
Max 3.0mm
Projection

Customer Client _____ Date _____
 Drawn By Dessiné Par BoxCad: BoxCad Date 09-Sep-22

Material Matière 14 Ga Cold Rolled A1008 CS Type B (1.7mm)

Color Couleur Asa-61 Grey Finish Fini Smooth

Description 1412BT 30" x 144" x 10" Body Detail Rev. _____

Part Number Numéro Pièce **1412BT12604B** Rev. **0** 6/13

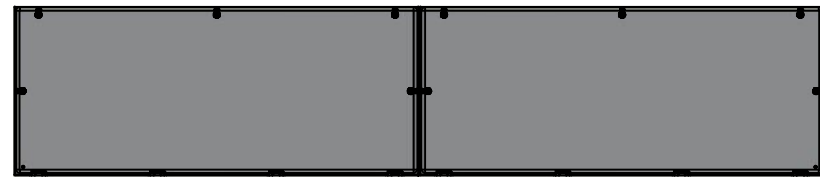
| | | | |
|------------|----------------|-----|---|
| 1 | STK-P-02400S | 0 | Powder Paint (Asa-61 Grey / Smooth) |
| 1 | 1412BT12604B-P | 0 | 1412BT 30" x 144" x 10" Left Body Part |
| 1 | 1412BT12604E-P | 0 | 1412BT 30" x 144" x 10" Right Body Part |
| 1 | STK-G-00701 | 0 | 1" x 1/4" Self-Adhesive Neoprene Gasket |
| 10 | STK-Q-00260 | 1 | M6 x 13mm Carriage Bolt |
| 10 | STK-Q-07220 | 1 | M6 Nylon Insert Lock Nut |
| 12 | STK-Q-16005 | 1 | Stud M8 x 35 (No Paint Cap Required) |
| 2 | STK-Q-16080 | 0 | Ground Stud M6 x 16mm |
| 1 | STK-S-00100 | 0 | 3.5" x 2" Silver Milar Flexcon Sticker |
| Qty | Part Number | Rev | Description |
| Parts List | | | |

This drawing is confidential and must not be reproduced or used without the consent of EXM

Ce dessin est confidentiel et ne doit pas être reproduit ou utilisé sans le consentement de EXM



TOP



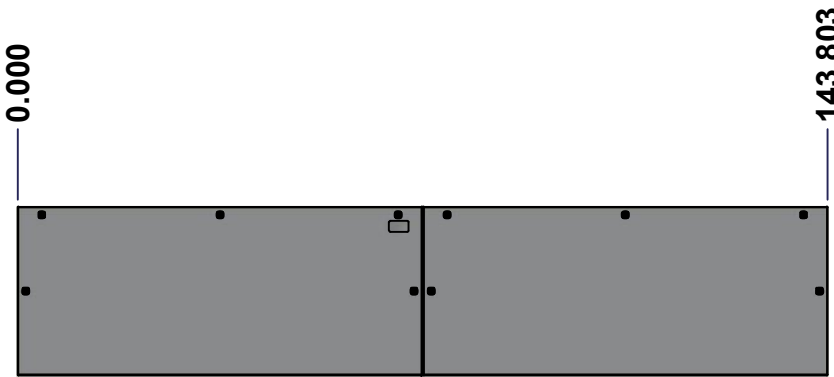
BACK



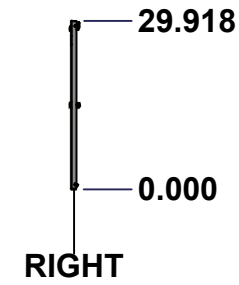
BOTTOM



LEFT

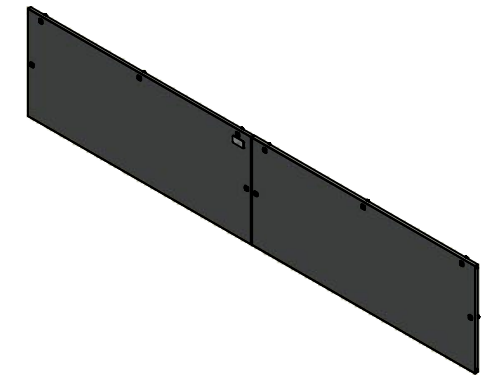


FRONT



RIGHT

| No. | Revisions | Date | By/Par |
|-----|-----------|------|--------|
| | | | |
| | | | |
| | | | |
| | | | |



Isometric View

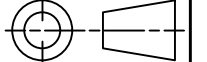


Tél: (450) 979-4373
 Fax: (450) 979-4626
www.exmweb.com

Flatness
Aplatissement

Max 3.0mm

Projection



| | |
|---|-----------------------|
| Customer Client | Date |
| Drawn By Dessiné Par BoxCad: BoxCad | Date 09-Sep-22 |
| Material Matière 14 Ga Cold Rolled A1008 CS Type B (1.7mm) | |
| Color Couleur Asa-61 Grey | Finish Fini Smooth |
| Description 1412BT 30" x 144" Cover | Detail Rev. |
| Part Number Numéro Pièce 1412BT12604C | Rev. 0 |

SEE BILL OF MATERIAL ON LAST PAGE

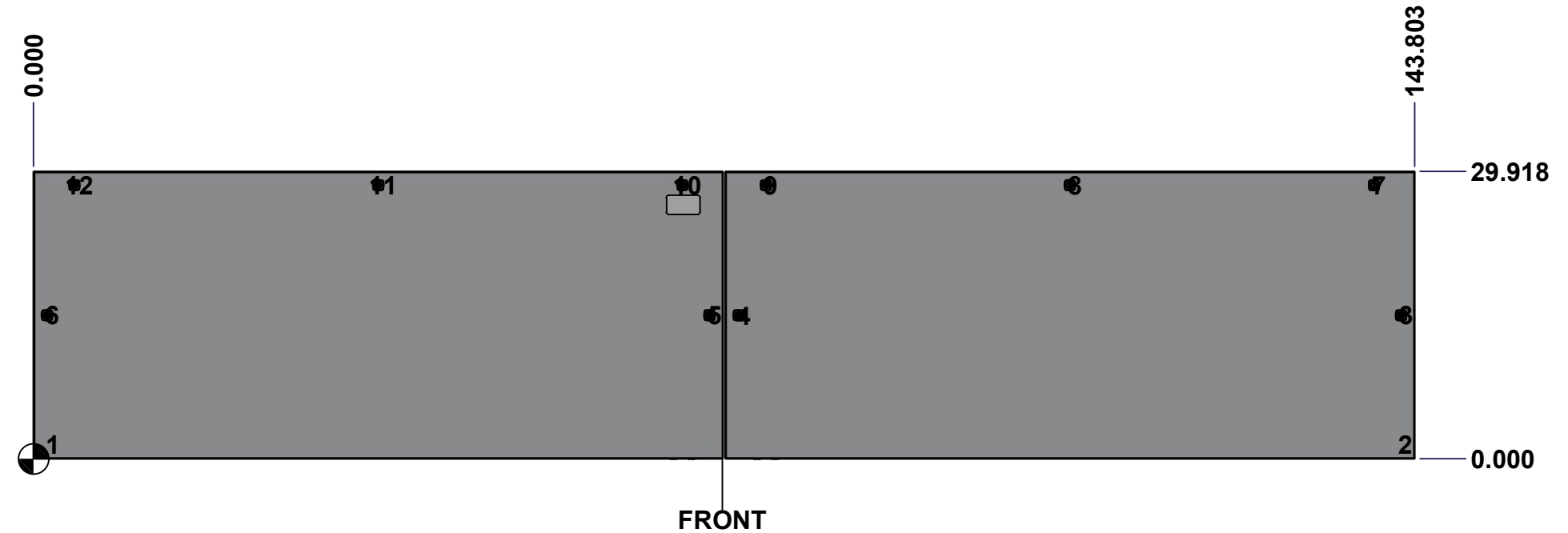
This drawing is confidential and must not be reproduced or used without the consent of Eurobox

Ce dessin est confidentiel et ne doit pas être reproduit ou utilisé sans le consentement de Eurobox

STANDARD FEATURES ARE NOT LISTED IN THIS HOLE TABLE

HOLE TABLE - FRONT VIEW (CUSTOM FEATURE ONLY)

| CUT-OUT | XDIM | YDIM | DESCRIPTION |
|---------|---------|--------|-----------------------------|
| 1 | 1.500 | 1.486 | GND STUD M6 x 16mm (Inside) |
| 2 | 142.303 | 1.486 | GND STUD M6 x 16mm (Inside) |
| 3 | 142.379 | 14.959 | LOCK 880 SCQ4-SL @ 0.0° |
| 4 | 73.424 | 14.959 | LOCK 880 SCQ4-SL @ 180.0° |
| 5 | 70.379 | 14.959 | LOCK 880 SCQ4-SL @ 0.0° |
| 6 | 1.424 | 14.959 | LOCK 880 SCQ4-SL @ 180.0° |
| 7 | 139.553 | 28.494 | LOCK 880 SCQ4-SL @ 90.0° |
| 8 | 107.902 | 28.494 | LOCK 880 SCQ4-SL @ 90.0° |
| 9 | 76.250 | 28.494 | LOCK 880 SCQ4-SL @ 90.0° |
| 10 | 67.553 | 28.494 | LOCK 880 SCQ4-SL @ 90.0° |
| 11 | 35.902 | 28.494 | LOCK 880 SCQ4-SL @ 90.0° |
| 12 | 4.250 | 28.494 | LOCK 880 SCQ4-SL @ 90.0° |

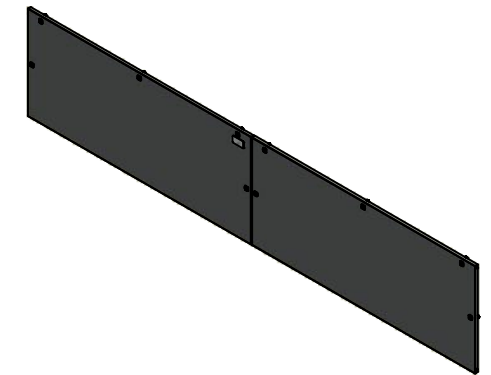


| | | |
|--|-------------------------|--------|
| | Description | Status |
| | 1412BT 30" x 144" Cover | (NULL) |
| Part Number Numéro Pièce 1412BT12604C | Rev. | 8 |
| | 0 | 13 |

This drawing is confidential and must not be reproduced or used without the consent of EXM

Ce dessin est confidentiel et ne doit pas être reproduit ou utilisé sans le consentement de EXM

| No. | Revisions | Date | By/Par |
|-----|-----------|------|--------|
| | | | |
| | | | |
| | | | |
| | | | |
| | | | |



Isometric View



Tél: (450) 979-4373
 Fax: (450) 979-4626
www.exmweb.com

Flatness
Aplatissement
Max 3.0mm
Projection

| | |
|--|-----------------|
| Customer Client | Date |
| Drawn By / Dessiné Par: BoxCad: BoxCad | Date: 09-Sep-22 |

Material / Matière: 14 Ga Cold Rolled A1008 CS Type B (1.7mm)

| | |
|------------------------------|-----------------------|
| Color / Couleur: Asa-61 Grey | Finish / Fini: Smooth |
|------------------------------|-----------------------|

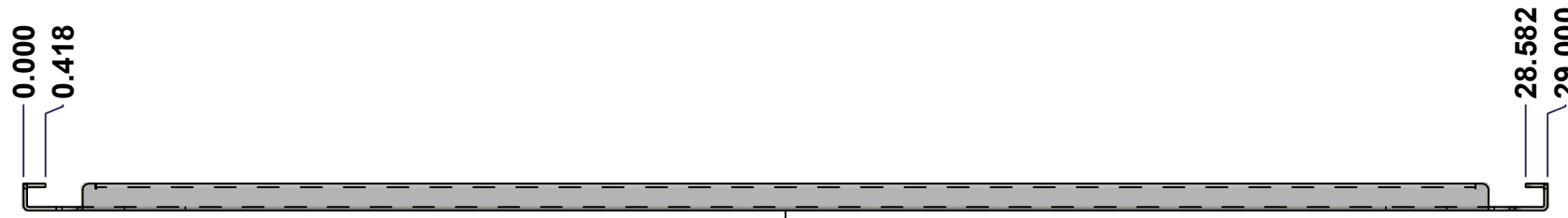
| | |
|--------------------------------------|-------------|
| Description: 1412BT 30" x 144" Cover | Detail Rev. |
|--------------------------------------|-------------|

| | | |
|---|--------|---|
| Part Number / Numéro Pièce: 1412BT12604C | Rev. 0 | 9 |
|---|--------|---|

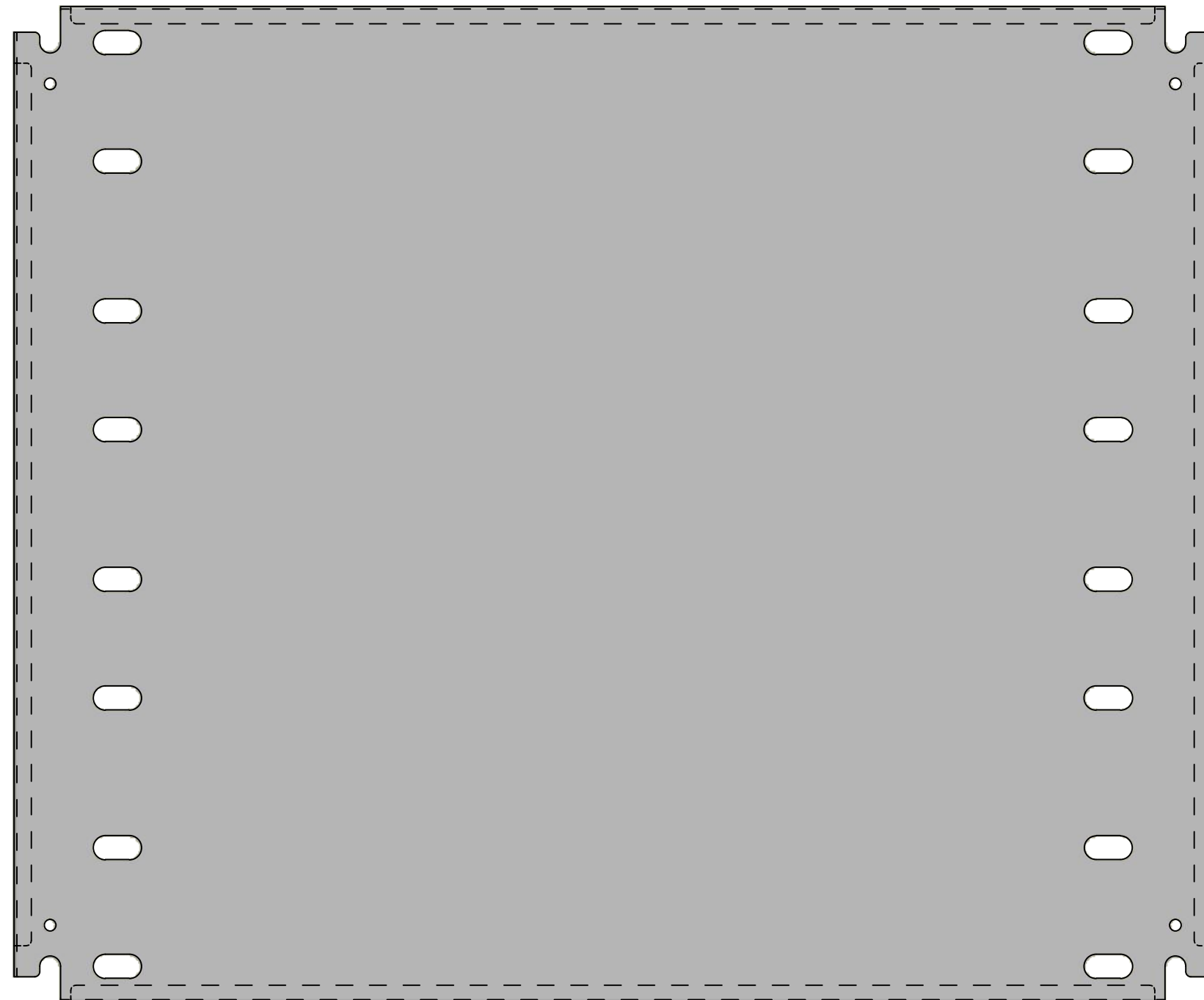
| Qty | Part Name | Rev | Description |
|------------|----------------|-----|---|
| 2 | 1412BT12604G | 0 | 1412BT 30" x 144" Cover Gasket |
| 1 | STK-P-02400S | 0 | Powder Paint (Asa-61 Grey / Smooth) |
| 8 | STK-K-09800 | 10 | 5412 ES Hinge with 2 Captive Hinge Pins |
| 2 | STK-Q-16080 | 0 | Ground Stud M6 x 16mm |
| 1 | STK-S-00100 | 0 | 3.5" x 2" Silver Milar Flexcon Sticker |
| 1 | 1412BT12604C-P | 0 | 1412BT 30" x 72" Left Cover Part |
| 1 | 1412BT12604F-P | 0 | 1412BT 30" x 144" Right Cover Part |
| 10 | 880 SCQ4-SL | 6 | 5412 ES 1/4 Turn Lock |
| Parts List | | | |

This drawing is confidential and must not be reproduced or used without the consent of EXM

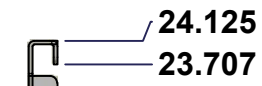
Ce dessin est confidentiel et ne doit pas être reproduit ou utilisé sans le consentement de EXM



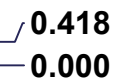
TOP



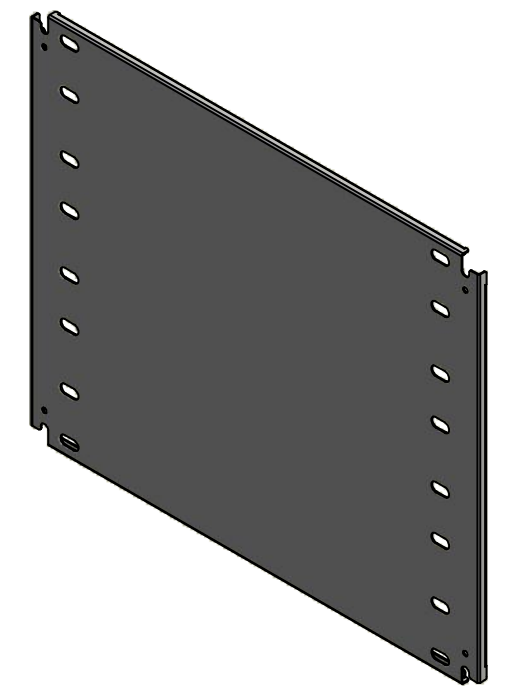
FRONT



RIGHT



| No. | Revisions | Date | By/Par |
|-----|-----------|------|--------|
| | | | |
| | | | |
| | | | |
| | | | |
| | | | |



Isometric View

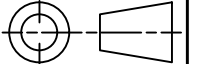


Tél: (450) 979-4373
Fax: (450) 979-4626
www.exmweb.com

Flatness
Aplatissement

Max 3.0mm

Projection



Customer Client _____ Date _____

Drawn By / Dessiné Par BoxCad: BoxCad Date 09-Sep-22

Material / Matière 14 Ga Cold Rolled A1008 CS Type B (1.7mm)

Color / Couleur White RAL9003 Finish / Fini Smooth

Description 1412BT 24.125" x 29" Left Inner Panel Detail Rev. _____

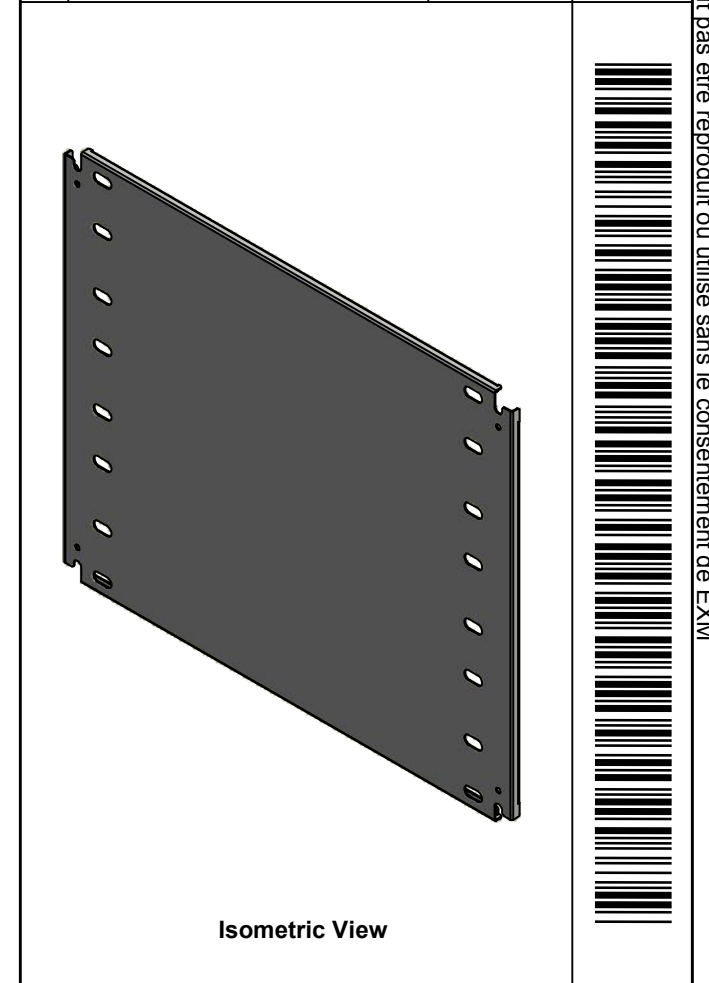
Part Number / Numéro Pièce **1412BT12604IP1** Rev. **0** 10 / 13



SEE BILL OF MATERIAL ON LAST PAGE

This drawing is confidential and must not be reproduced or used without the consent of EXM

Ce dessin est confidentiel et ne doit pas être reproduit ou utilisé sans le consentement de EXM

| No. | Revisions | Date | By/Par |
|-----|-----------|------|--------|
| | | | |
| | | | |
| | | | |
| | | | |
| | | | |



| | | |
|--|-----------------------|---|
|  Tél: (450) 979-4373 Fax: (450) 979-4626 www.exmweb.com | | Flatness Aplatissement  Max 3.0mm |
| Customer Client | | Date |
| Drawn By Dessiné Par BoxCad: BoxCad | | Date 09-Sep-22 |
| Material Matière 14 Ga Cold Rolled A1008 CS Type B (1.7mm) | | |
| Color Couleur White RAL9003 | Finish Fini Smooth | |
| Description 1412BT 24.125" x 29" Left Inner Panel | | Detail Rev. |
| Part Number Numéro Pièce 1412BT12604IP1 | | Rev. 0 |
| Qty Part Number Rev Description | | 11 13 |

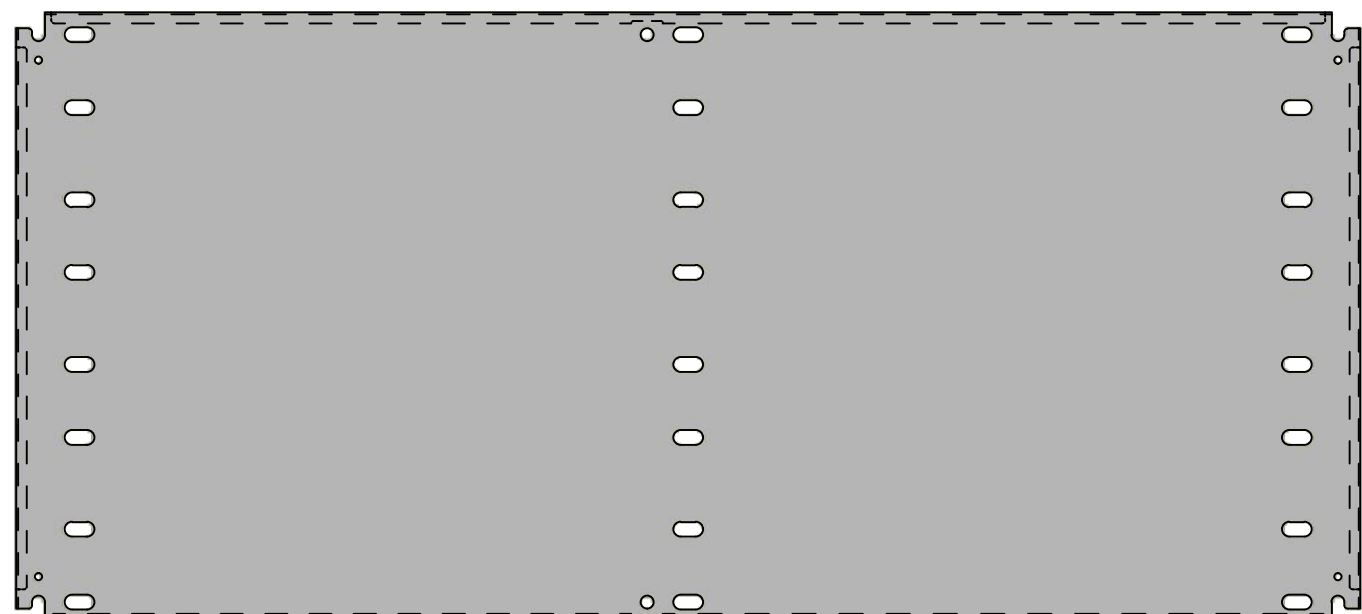
| Qty | Part Number | Rev | Description |
|------------|------------------|-----|---|
| 1 | STK-P-02401S | 0 | Powder Paint (White / Smooth) |
| 1 | 1412BT12604IP1-P | 0 | 1412BT 24.125" x 144" Left Inner Panel Part |
| Parts List | | | |

This drawing is confidential and must not be reproduced or used without the consent of EXM

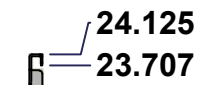
Ce dessin est confidentiel et ne doit pas être reproduit ou utilisé sans le consentement de EXM



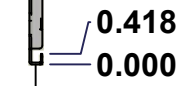
TOP



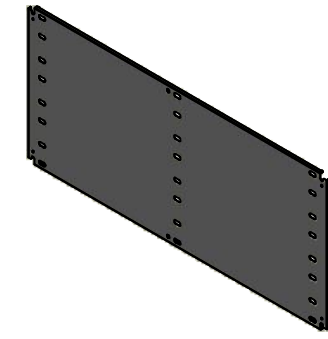
FRONT



RIGHT



| No. | Revisions | Date | By/Par |
|-----|-----------|------|--------|
| | | | |
| | | | |
| | | | |
| | | | |
| | | | |



Isometric View



Tél: (450) 979-4373
Fax: (450) 979-4626
www.exmweb.com

Flatness
Aplatissement
Max 3.0mm
Projection

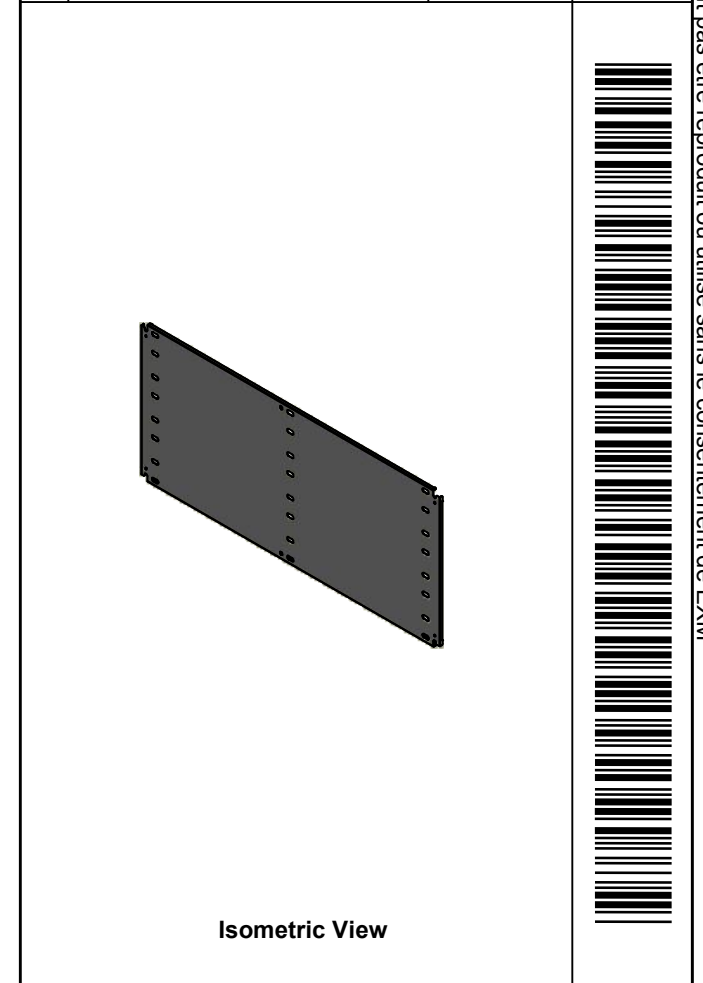
| | |
|---|------------------------------------|
| Customer Client | Date |
| Drawn By Dessiné Par BoxCad: BoxCad | Date 09-Sep-22 |
| Material Matière 14 Ga Cold Rolled A1008 CS Type B (1.7mm) | |
| Color Couleur White RAL9003 | Finish Fini Smooth |
| Description 1412BT 24.125" x 53" Right Inner Panel | |
| Part Number Numéro Pièce 1412BT12604IP2 | Detail Rev. Rev. 12 0 |


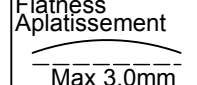
SEE BILL OF MATERIAL ON LAST PAGE

This drawing is confidential and must not be reproduced or used without the consent of EXM

Ce dessin est confidentiel et ne doit pas être reproduit ou utilisé sans le consentement de EXM

| No. | Revisions | Date | By/Par |
|-----|-----------|------|--------|
| | | | |
| | | | |
| | | | |
| | | | |
| | | | |



| | | |
|--|-----------------------|--|
|  Tél: (450) 979-4373 Fax: (450) 979-4626 www.exmweb.com | | Flatness Aplatissement  Max 3.0mm |
| Customer Client | | Date |
| Drawn By Dessiné Par BoxCad: BoxCad | | Date 09-Sep-22 |
| Material Matière 14 Ga Cold Rolled A1008 CS Type B (1.7mm) | | |
| Color Couleur White RAL9003 | Finish Fini Smooth | |
| Description 1412BT 24.125" x 53" Right Inner Panel | | Detail Rev. |
| Part Number Numéro Pièce 1412BT12604IP2 | | Rev. 0 / 13 |

| Qty | Part Number | Rev | Description |
|------------|------------------|-----|--|
| 1 | STK-P-02401S | 0 | Powder Paint (White / Smooth) |
| 1 | 1412BT12604IP2-P | 0 | 1412BT 24.125" x 144" Right Inner Panel Part |
| Parts List | | | |