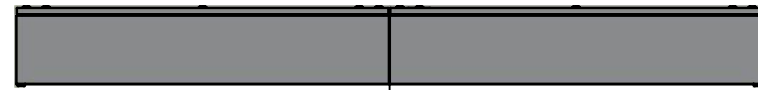
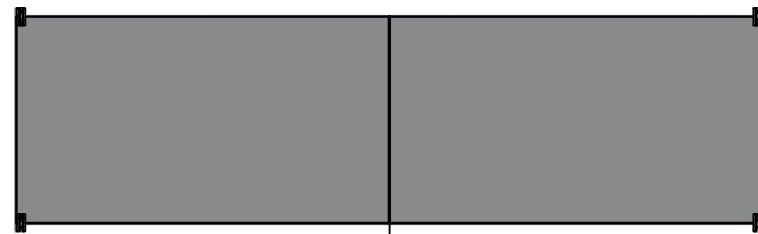


This drawing is confidential and must not be reproduced or used without the consent of EXM

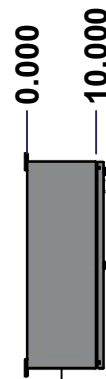
Ce dessin est confidentiel et ne doit pas être reproduit ou utilisé sans le consentement de EXM



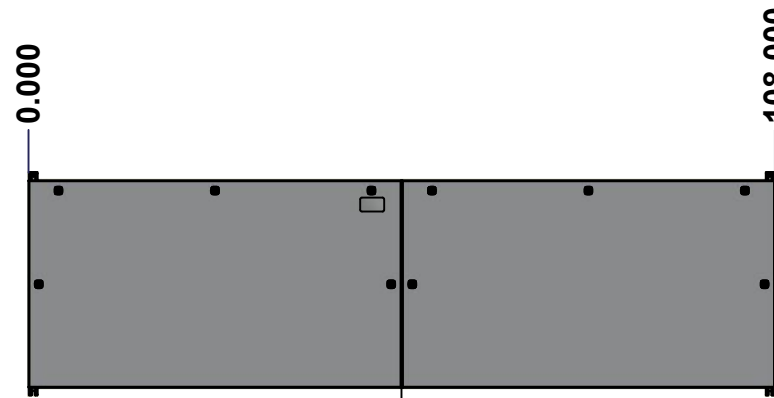
TOP



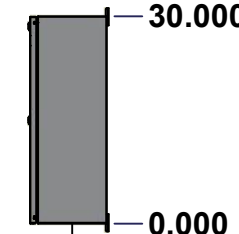
LEFT



LEFT



FRONT

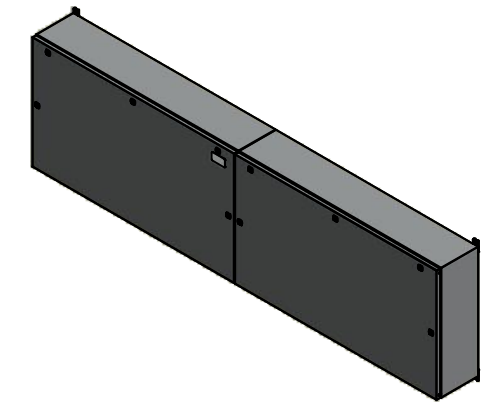


RIGHT



BOTTOM

No.	Revisions	Date	By/Par



Isometric View



Tél: (450) 979-4373  
 Fax: (450) 979-4626  
[www.exmweb.com](http://www.exmweb.com)

Flatness  
Aplatissement

Max 3.0mm

Projection



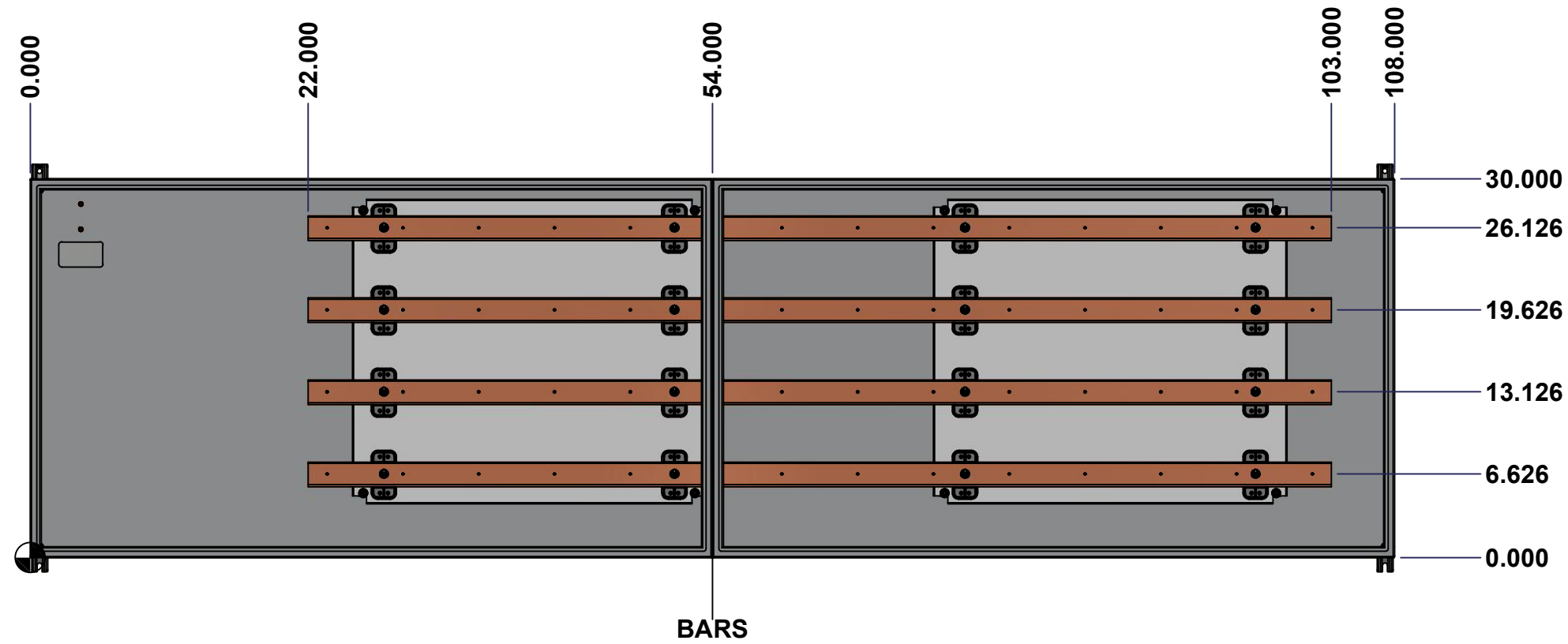
Customer Client	Date
Drawn By Dessiné Par BoxCad: BoxCad	Date 2022-10-19
Material Matière 14 Ga Cold Rolled A1008 CS Type B (1.7mm)	
Color Couleur Asa-61 Grey	Finish Fini Smooth
Description 1412BTCU 600A - 4Wires x 108" Assembly	Detail Rev.
Part Number Numéro Pièce <b>1412BTCU09604DT</b>	Rev. <b>0</b>

SEE BILL OF MATERIAL ON LAST PAGE

This drawing is confidential and must not be reproduced or used without the consent of Eurobox

Ce dessin est confidentiel et ne doit pas être reproduit ou utilisé sans le consentement de Eurobox

**STANDARD FEATURES ARE NOT LISTED IN THIS HOLE TABLE**



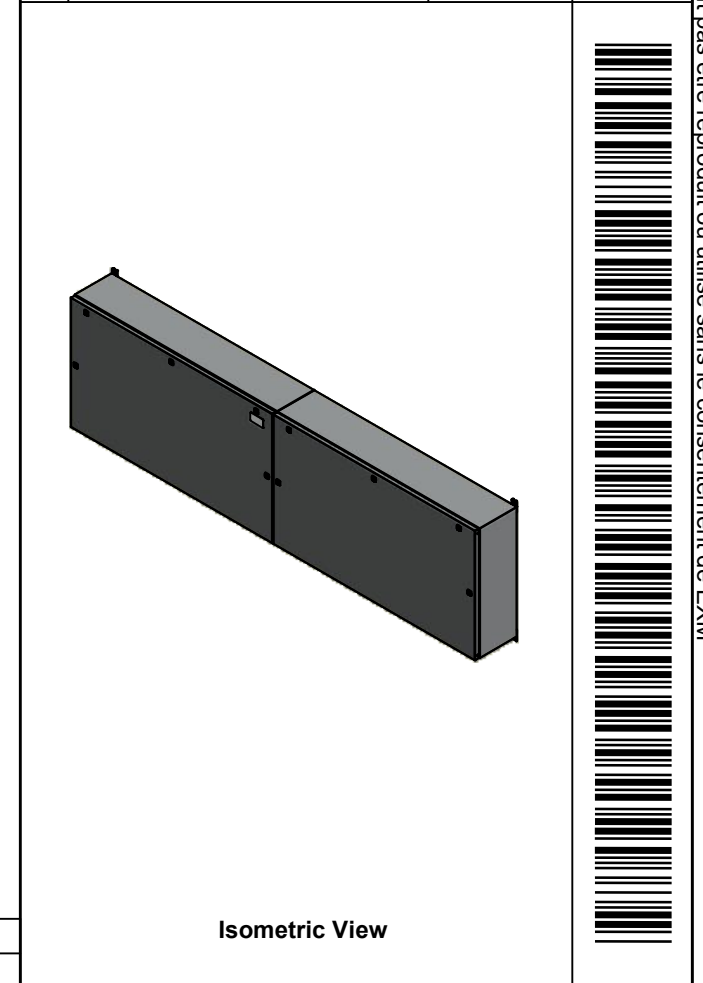
	Description		Status
	1412BTCU 600A - 4Wires x 108" Assembly		(NULL)
Part Number		Rev.	2
Numéro Pièce		<b>0</b>	
<b>1412BTCU09604DT</b>		17	

This drawing is confidential and must not be reproduced or used without the consent of EXM

Ce dessin est confidentiel et ne doit pas être reproduit ou utilisé sans le consentement de EXM

NOTE	
ITEM	DESCRIPTION
1	NEMA 4/12 Enclosure
2	C/W Standard ground studs on box and cover
3	W/O Standard door stiffener
4	C/W Special inner panel (Sold separately)
5	C/W Standard inner panel mounting studs

No.	Revisions	Date	By/Par



1	885 ESMF1	0	885 ESMF1 Mounting Feet Kit
1	1412BTCU09604DTIP2	0	1412BTCU 24.125" x 28" Right Inner Panel
1	1412BTCU09604DTBAR1-P	0	Rounded Edge Copper Bar 1/4" x 2"
1	1412BTCU09604DTBAR2-P	0	Rounded Edge Copper Bar 1/4" x 2"
1	1412BTCU09604DTBAR3-P	0	Rounded Edge Copper Bar 1/4" x 2"
1	1412BTCU09604DTBAR4-P	0	Rounded Edge Copper Bar 1/4" x 2"
1	1412BTCU09604DTIP1	0	1412BTCU 24.125" x 28" Left Inner Panel
16	STK-A-67400	0	Buss Bar Insulator Kit
1	STK-K-01800	5	5412 ES Accessory Kit
8	STK-Q-04050-07	7	M6 x 7mm Hexagon Socket Head Machine Screw with Nyseal
24	STK-Q-07310	2	Flange Lock Nut M8
8	STK-Q-07610	8	M8 Plastic Spacer 22.2mm
1	1412BTCU09604DTB	0	1412BTCU 30" x 108" x 10" Body
1	1412BTCU09604DTC	0	1412BTCU 30" x 108" Cover

PACKING		
ITEM	QTY	DESCRIPTION
Cardboard sleeve	2	Top and Bottom
Cardboard strip	2	Between back of enclosure and inner panel
Plastic bag	1	To protect cover surface and inside gasket
Cardboard corner	4	To reinforced for the plastic strap tightening
Plastic strap - Black	2	To Squeeze 2 cardboard sleeve together
Packaging label	3	White label with PN
Plastic strap- Green	2	To secure the enclosure to the wood pallet
Wood Pallet	1	2" deeper and 3" larger than enclosure size

Qty	Part Number	Rev	Description
Parts List			

Tél: (450) 979-4373  
Fax: (450) 979-4626  
[www.exmweb.com](http://www.exmweb.com)

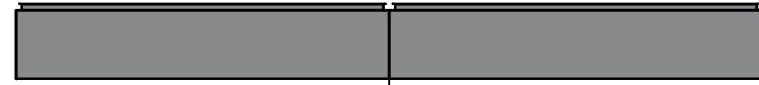
Flatness  
Aplatissement  
Max 3.0mm

Projection

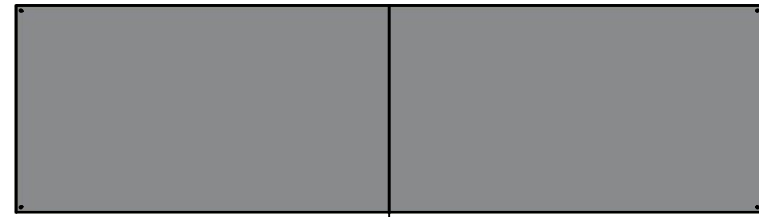
Customer Client	Date
Drawn By Dessiné Par BoxCad: BoxCad	Date 2022-10-19
Material Matière 14 Ga Cold Rolled A1008 CS Type B (1.7mm)	
Color Couleur Asa-61 Grey	Finish Fini Smooth
Description 1412BTCU 600A - 4Wires x 108" Assembly	Detail Rev.
Part Number Numéro Pièce <b>1412BTCU09604DT</b>	Rev. 0

This drawing is confidential and must not be reproduced or used without the consent of EXM

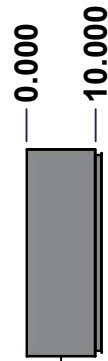
Ce dessin est confidentiel et ne doit pas être reproduit ou utilisé sans le consentement de EXM



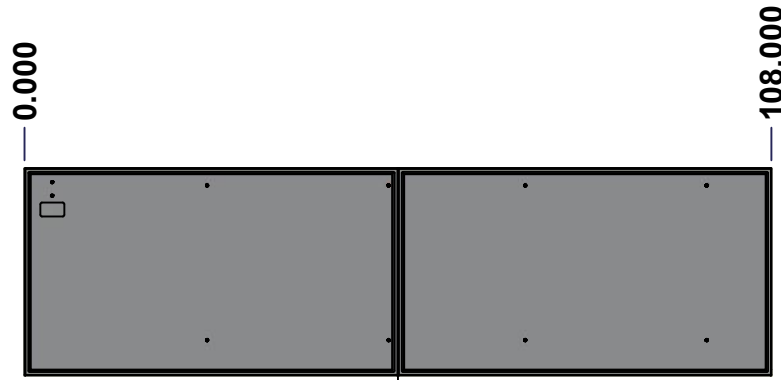
TOP



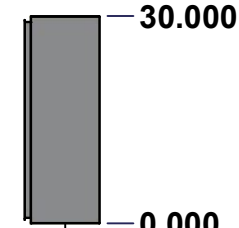
BACK



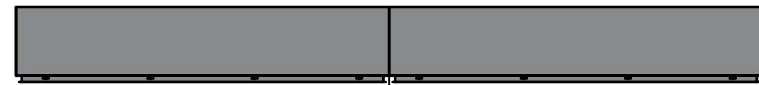
LEFT



FRONT

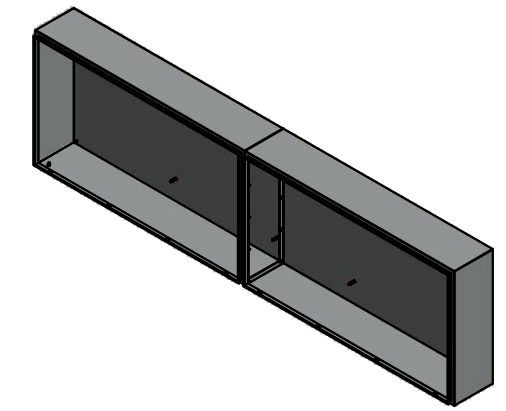


RIGHT



BOTTOM

No.	Revisions	Date	By/Par



Isometric View

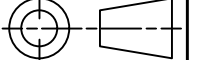


Tél: (450) 979-4373  
 Fax: (450) 979-4626  
[www.exmweb.com](http://www.exmweb.com)

Flatness  
Aplatissement

Max 3.0mm

Projection



Customer Client	Date
Drawn By Dessiné Par BoxCad: BoxCad	Date 2022-10-19
Material Matière 14 Ga Cold Rolled A1008 CS Type B (1.7mm)	
Color Couleur Asa-61 Grey	Finish Fini Smooth
Description 1412BTCU 30" x 108" x 10" Body	Detail Rev.
Part Number Numéro Pièce <b>1412BTCU09604DTB</b>	Rev. <b>0</b>

SEE BILL OF MATERIAL ON LAST PAGE

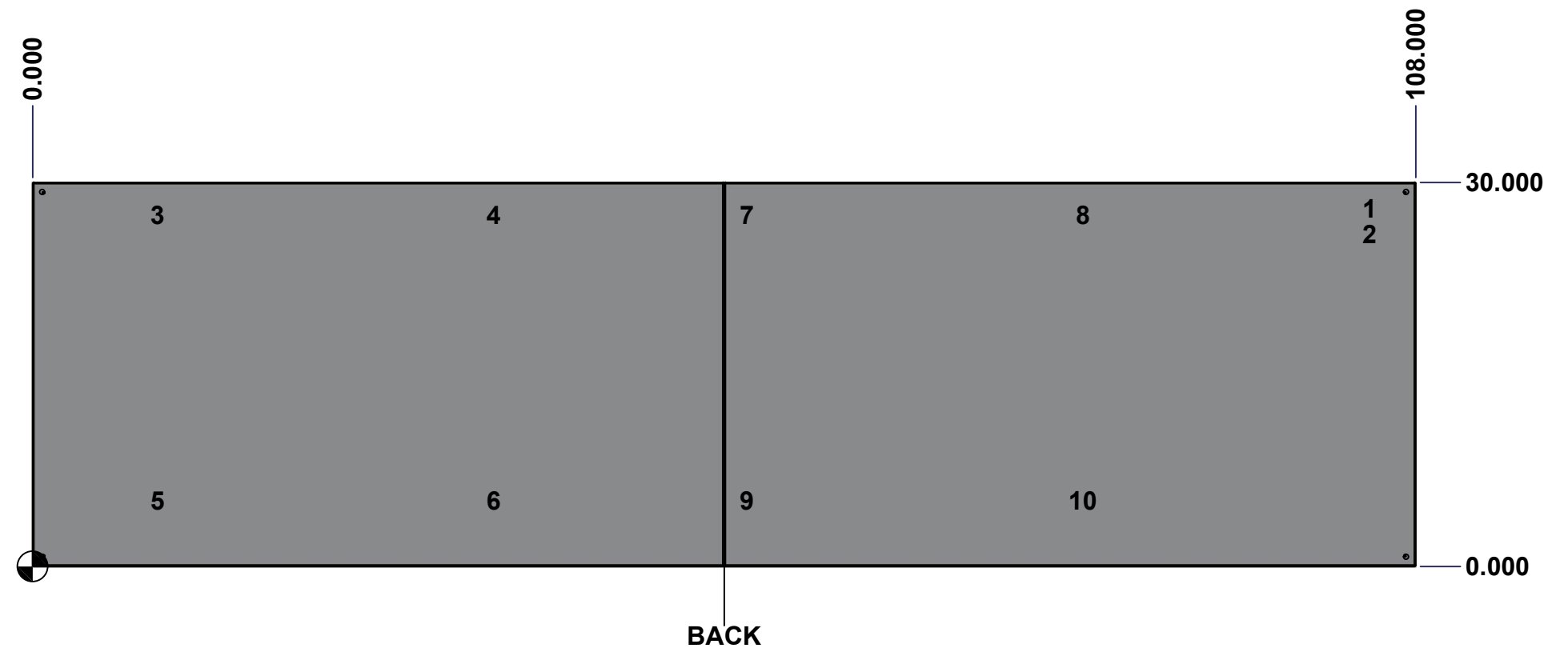
This drawing is confidential and must not be reproduced or used without the consent of Eurobox

Ce dessin est confidentiel et ne doit pas être reproduit ou utilisé sans le consentement de Eurobox

**STANDARD FEATURES ARE NOT LISTED IN THIS HOLE TABLE**

**HOLE TABLE - BACK VIEW (CUSTOM FEATURE ONLY)**

CUT-OUT	XDIM	YDIM	DESCRIPTION
1	104.000	28.000	GND STUD M8 x 35mm (Inside)
2	104.000	26.000	GND STUD M8 x 35mm (Inside)
3	9.375	27.500	IP STUD M8 x 35mm (Inside)
4	35.625	27.500	IP STUD M8 x 35mm (Inside)
5	9.375	5.125	IP STUD M8 x 35mm (Inside)
6	35.625	5.125	IP STUD M8 x 35mm (Inside)
7	55.375	27.500	IP STUD M8 x 35mm (Inside)
8	81.625	27.500	IP STUD M8 x 35mm (Inside)
9	55.375	5.125	IP STUD M8 x 35mm (Inside)
10	81.625	5.125	IP STUD M8 x 35mm (Inside)

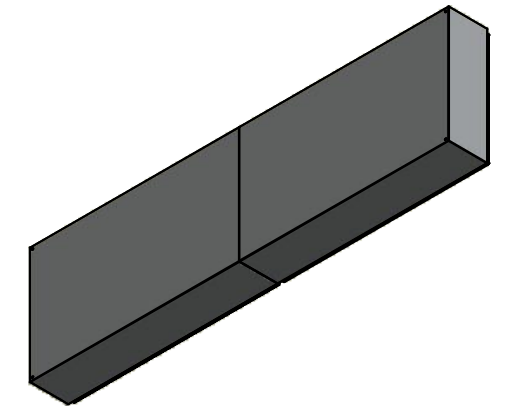


	Description		Status
	1412BTCU 30" x 108" x 10" Body		(NULL)
Part Number Numéro Pièce		Rev.	5
<b>1412BTCU09604DTB</b>		<b>0</b>	17

This drawing is confidential and must not be reproduced or used without the consent of EXM

Ce dessin est confidentiel et ne doit pas être reproduit ou utilisé sans le consentement de EXM

No.	Revisions	Date	By/Par



Isometric View



 Tél: (450) 979-4373 Fax: (450) 979-4626 <a href="http://www.exmweb.com">www.exmweb.com</a>	Flatness Aplatissement
	Max 3.0mm
	Projection
	

Customer Client	Date
Drawn By Dessiné Par	Date 2022-10-19

Material Matière	14 Ga Cold Rolled A1008 CS Type B (1.7mm)
---------------------	---

Color Couleur	Asa-61 Grey	Finish Fini	Smooth
------------------	-------------	----------------	--------

Description	Detail Rev.
1412BTCU 30" x 108" x 10" Body	

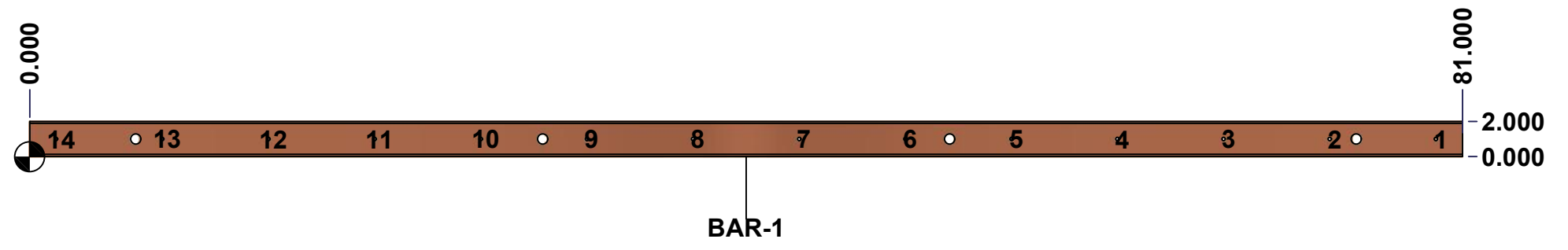
Part Number Numéro Pièce	Rev.	6
<b>1412BTCU09604DTB</b>	<b>0</b>	17

Qty	Part Number	Rev	Description
1	STK-P-02400S	0	Powder Paint (Asa-61 Grey / Smooth)
1	1412BTCU09604DTB-P	0	1412BTCU 30" x 108" x 10" Left Body Part
1	1412BTCU09604DTE-P	0	1412BTCU 30" x 108" x 10" Right Body Part
1	STK-G-00701	0	1" x 1/4" Self-Adhesive Neoprene Gasket
10	STK-Q-00260	1	M6 x 13mm Carriage Bolt
10	STK-Q-07220	1	M6 Nylon Insert Lock Nut
10	STK-Q-16005	1	Stud M8 x 35 (No Paint Cap Required)
2	STK-Q-16080	0	Ground Stud M6 x 16mm
1	STK-S-00100	0	3.5" x 2" Silver Milar Flexcon Sticker
Parts List			

This drawing is confidential and must not be reproduced or used without the consent of Eurobex

Ce dessin est confidentiel et ne doit pas être reproduit ou utilisé sans le consentement de Eurobex

STANDARD FEATURES ARE NOT LISTED IN THIS HOLE TABLE			
HOLE TABLE - FRONT VIEW (CUSTOM FEATURE ONLY)			
CUT-OUT	XDIM	YDIM	DESCRIPTION
1	79.500	1.000	RND Ø0.201 THREAD 1/4-20 UNC
2	73.500	1.000	RND Ø0.201 THREAD 1/4-20 UNC
3	67.500	1.000	RND Ø0.201 THREAD 1/4-20 UNC
4	61.500	1.000	RND Ø0.201 THREAD 1/4-20 UNC
5	55.500	1.000	RND Ø0.201 THREAD 1/4-20 UNC
6	49.500	1.000	RND Ø0.201 THREAD 1/4-20 UNC
7	43.500	1.000	RND Ø0.201 THREAD 1/4-20 UNC
8	37.500	1.000	RND Ø0.201 THREAD 1/4-20 UNC
9	31.500	1.000	RND Ø0.201 THREAD 1/4-20 UNC
10	25.500	1.000	RND Ø0.201 THREAD 1/4-20 UNC
11	19.500	1.000	RND Ø0.201 THREAD 1/4-20 UNC
12	13.500	1.000	RND Ø0.201 THREAD 1/4-20 UNC
13	7.500	1.000	RND Ø0.201 THREAD 1/4-20 UNC
14	1.500	1.000	RND Ø0.201 THREAD 1/4-20 UNC

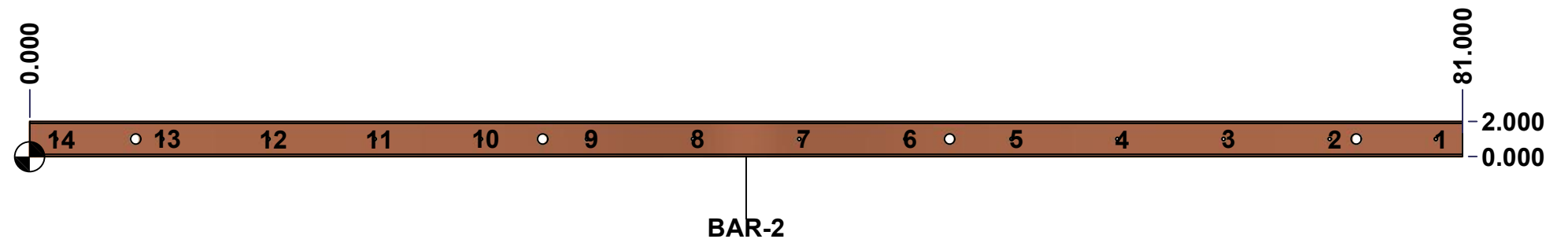


	Description	Status	
	Rounded Edge Copper Bar 1/4" x 2"	(NULL)	
	Part Number Numéro Pièce	Rev.	7
	<b>1412BTCU09604DTBAR1-P</b>	<b>0</b>	17

This drawing is confidential and must not be reproduced or used without the consent of Eurobex

Ce dessin est confidentiel et ne doit pas être reproduit ou utilisé sans le consentement de Eurobex

STANDARD FEATURES ARE NOT LISTED IN THIS HOLE TABLE			
HOLE TABLE - FRONT VIEW (CUSTOM FEATURE ONLY)			
CUT-OUT	XDIM	YDIM	DESCRIPTION
1	79.500	1.000	RND Ø0.201 THREAD 1/4-20 UNC
2	73.500	1.000	RND Ø0.201 THREAD 1/4-20 UNC
3	67.500	1.000	RND Ø0.201 THREAD 1/4-20 UNC
4	61.500	1.000	RND Ø0.201 THREAD 1/4-20 UNC
5	55.500	1.000	RND Ø0.201 THREAD 1/4-20 UNC
6	49.500	1.000	RND Ø0.201 THREAD 1/4-20 UNC
7	43.500	1.000	RND Ø0.201 THREAD 1/4-20 UNC
8	37.500	1.000	RND Ø0.201 THREAD 1/4-20 UNC
9	31.500	1.000	RND Ø0.201 THREAD 1/4-20 UNC
10	25.500	1.000	RND Ø0.201 THREAD 1/4-20 UNC
11	19.500	1.000	RND Ø0.201 THREAD 1/4-20 UNC
12	13.500	1.000	RND Ø0.201 THREAD 1/4-20 UNC
13	7.500	1.000	RND Ø0.201 THREAD 1/4-20 UNC
14	1.500	1.000	RND Ø0.201 THREAD 1/4-20 UNC



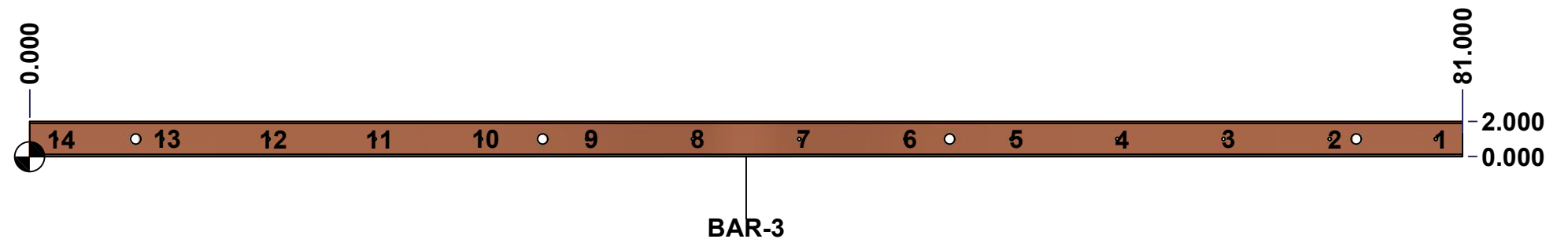
	Description	Status
	Rounded Edge Copper Bar 1/4" x 2"	(NULL)
	Part Number Numéro Pièce	Rev.
	<b>1412BTCU09604DTBAR2-P</b>	<b>0</b> / 8
		17



This drawing is confidential and must not be reproduced or used without the consent of Eurobex

Ce dessin est confidentiel et ne doit pas être reproduit ou utilisé sans le consentement de Eurobex

STANDARD FEATURES ARE NOT LISTED IN THIS HOLE TABLE			
HOLE TABLE - FRONT VIEW (CUSTOM FEATURE ONLY)			
CUT-OUT	XDIM	YDIM	DESCRIPTION
1	79.500	1.000	RND Ø0.201 THREAD 1/4-20 UNC
2	73.500	1.000	RND Ø0.201 THREAD 1/4-20 UNC
3	67.500	1.000	RND Ø0.201 THREAD 1/4-20 UNC
4	61.500	1.000	RND Ø0.201 THREAD 1/4-20 UNC
5	55.500	1.000	RND Ø0.201 THREAD 1/4-20 UNC
6	49.500	1.000	RND Ø0.201 THREAD 1/4-20 UNC
7	43.500	1.000	RND Ø0.201 THREAD 1/4-20 UNC
8	37.500	1.000	RND Ø0.201 THREAD 1/4-20 UNC
9	31.500	1.000	RND Ø0.201 THREAD 1/4-20 UNC
10	25.500	1.000	RND Ø0.201 THREAD 1/4-20 UNC
11	19.500	1.000	RND Ø0.201 THREAD 1/4-20 UNC
12	13.500	1.000	RND Ø0.201 THREAD 1/4-20 UNC
13	7.500	1.000	RND Ø0.201 THREAD 1/4-20 UNC
14	1.500	1.000	RND Ø0.201 THREAD 1/4-20 UNC

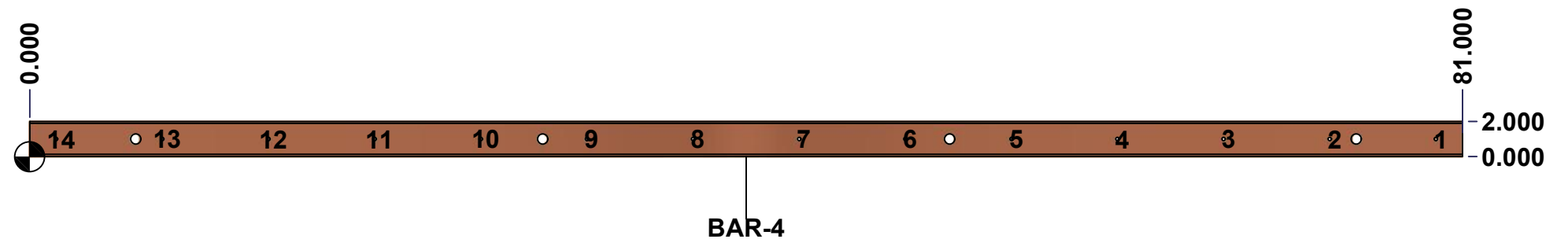


	Description	Status	
	Rounded Edge Copper Bar 1/4" x 2"	(NULL)	
	Part Number Numéro Pièce	Rev.	9
	<b>1412BTCU09604DTBAR3-P</b>	<b>0</b>	17

This drawing is confidential and must not be reproduced or used without the consent of Eurobex

Ce dessin est confidentiel et ne doit pas être reproduit ou utilisé sans le consentement de Eurobex

STANDARD FEATURES ARE NOT LISTED IN THIS HOLE TABLE			
HOLE TABLE - FRONT VIEW (CUSTOM FEATURE ONLY)			
CUT-OUT	XDIM	YDIM	DESCRIPTION
1	79.500	1.000	RND Ø0.201 THREAD 1/4-20 UNC
2	73.500	1.000	RND Ø0.201 THREAD 1/4-20 UNC
3	67.500	1.000	RND Ø0.201 THREAD 1/4-20 UNC
4	61.500	1.000	RND Ø0.201 THREAD 1/4-20 UNC
5	55.500	1.000	RND Ø0.201 THREAD 1/4-20 UNC
6	49.500	1.000	RND Ø0.201 THREAD 1/4-20 UNC
7	43.500	1.000	RND Ø0.201 THREAD 1/4-20 UNC
8	37.500	1.000	RND Ø0.201 THREAD 1/4-20 UNC
9	31.500	1.000	RND Ø0.201 THREAD 1/4-20 UNC
10	25.500	1.000	RND Ø0.201 THREAD 1/4-20 UNC
11	19.500	1.000	RND Ø0.201 THREAD 1/4-20 UNC
12	13.500	1.000	RND Ø0.201 THREAD 1/4-20 UNC
13	7.500	1.000	RND Ø0.201 THREAD 1/4-20 UNC
14	1.500	1.000	RND Ø0.201 THREAD 1/4-20 UNC



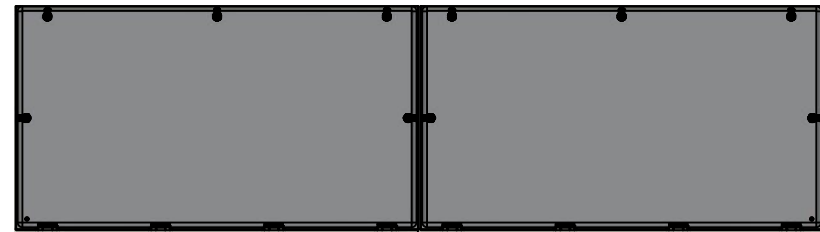
	Description		Status	
	Rounded Edge Copper Bar 1/4" x 2"		(NULL)	
Part Number Numéro Pièce		Rev.	10	
<b>1412BTCU09604DTBAR4-P</b>		<b>0</b>	17	

This drawing is confidential and must not be reproduced or used without the consent of EXM

Ce dessin est confidentiel et ne doit pas être reproduit ou utilisé sans le consentement de EXM



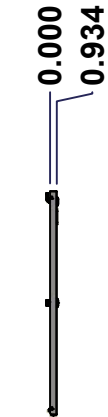
TOP



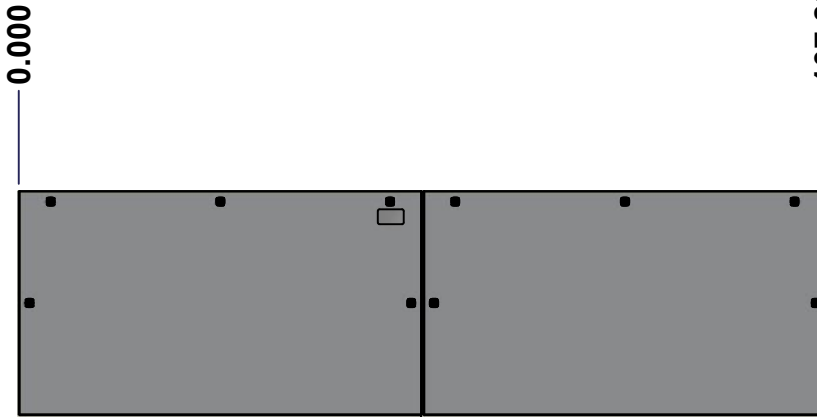
BACK



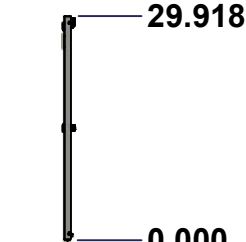
BOTTOM



LEFT

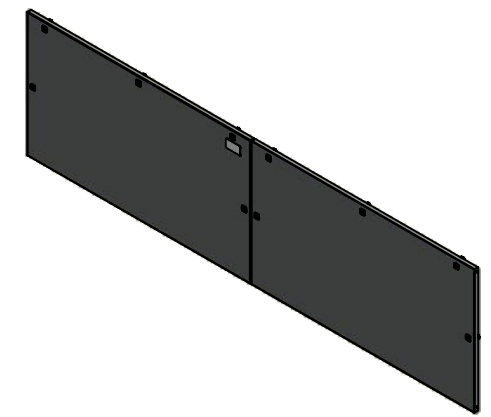


FRONT



RIGHT

No.	Revisions	Date	By/Par



Isometric View

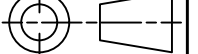


Tél: (450) 979-4373  
 Fax: (450) 979-4626  
[www.exmweb.com](http://www.exmweb.com)

Flatness  
Aplatissement

Max 3.0mm

Projection



Customer Client	Date
Drawn By Dessiné Par BoxCad: BoxCad	Date 2022-10-19
Material Matière 14 Ga Cold Rolled A1008 CS Type B (1.7mm)	
Color Couleur Asa-61 Grey	Finish Fini Smooth
Description 1412BTCU 30" x 108" Cover	Detail Rev.
Part Number Numéro Pièce <b>1412BTCU09604DTC</b>	Rev. 11 <b>0</b> 17

SEE BILL OF MATERIAL ON LAST PAGE

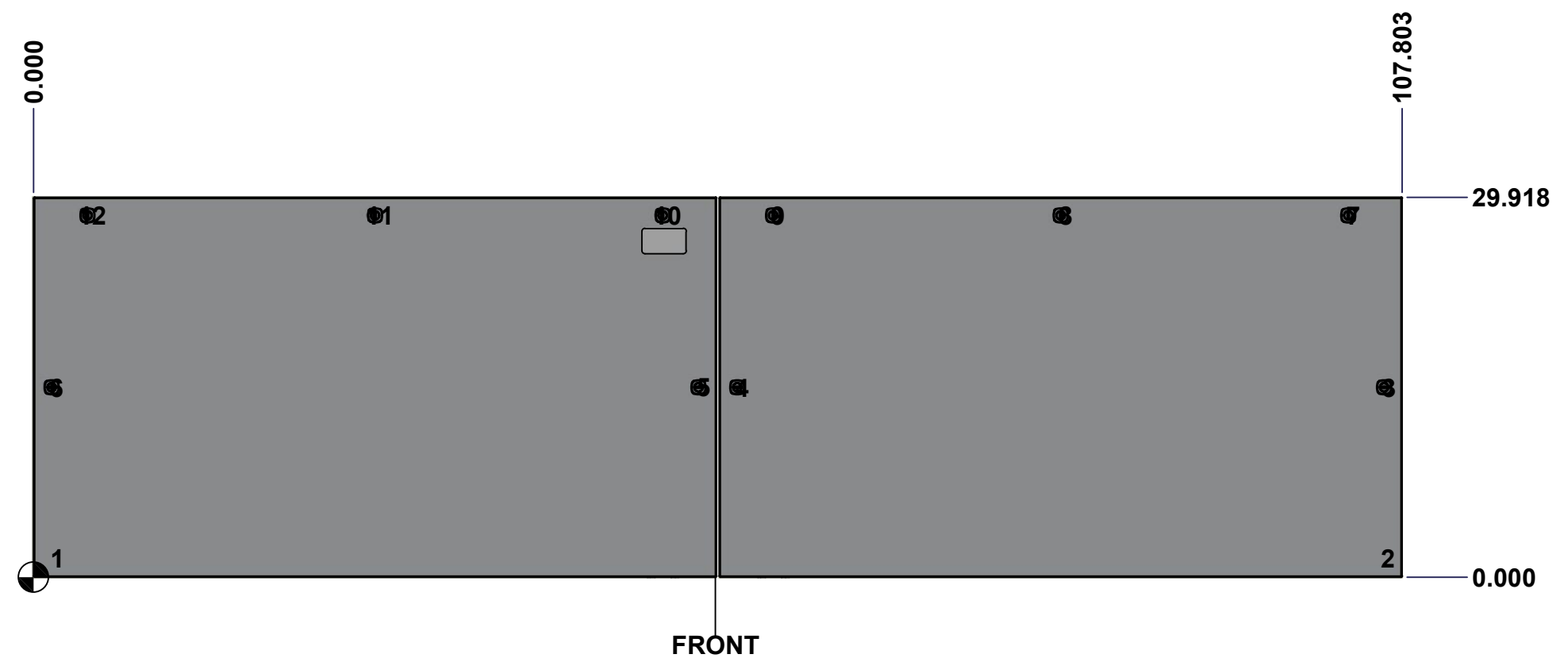
This drawing is confidential and must not be reproduced or used without the consent of Eurobox

Ce dessin est confidentiel et ne doit pas être reproduit ou utilisé sans le consentement de Eurobox

**STANDARD FEATURES ARE NOT LISTED IN THIS HOLE TABLE**

**HOLE TABLE - FRONT VIEW (CUSTOM FEATURE ONLY)**

CUT-OUT	XDIM	YDIM	DESCRIPTION
1	1.500	1.486	GND STUD M6 x 16mm (Inside)
2	106.303	1.486	GND STUD M6 x 16mm (Inside)
3	106.379	14.959	LOCK 880 SCQ4-SL @ 0.0°
4	55.424	14.959	LOCK 880 SCQ4-SL @ 180.0°
5	52.379	14.959	LOCK 880 SCQ4-SL @ 0.0°
6	1.424	14.959	LOCK 880 SCQ4-SL @ 180.0°
7	103.553	28.494	LOCK 880 SCQ4-SL @ 90.0°
8	80.902	28.494	LOCK 880 SCQ4-SL @ 90.0°
9	58.250	28.494	LOCK 880 SCQ4-SL @ 90.0°
10	49.553	28.494	LOCK 880 SCQ4-SL @ 90.0°
11	26.902	28.494	LOCK 880 SCQ4-SL @ 90.0°
12	4.250	28.494	LOCK 880 SCQ4-SL @ 90.0°

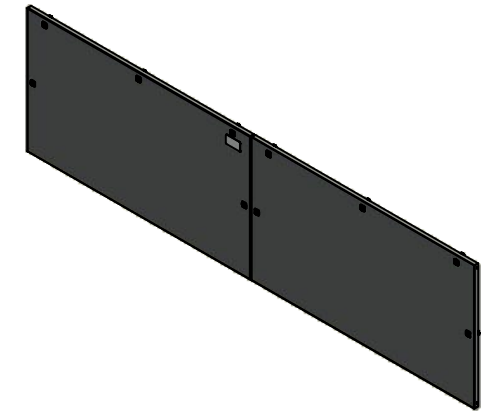


	Description	Status	
	1412BTCU 30" x 108" Cover	(NULL)	
	Part Number Numéro Pièce	Rev.	12
	<b>1412BTCU09604DTC</b>	<b>0</b>	17

This drawing is confidential and must not be reproduced or used without the consent of EXM

Ce dessin est confidentiel et ne doit pas être reproduit ou utilisé sans le consentement de EXM

No.	Revisions	Date	By/Par



Isometric View



Tél: (450) 979-4373  
 Fax: (450) 979-4626  
[www.exmweb.com](http://www.exmweb.com)

Flatness  
Aplatissement  
Max 3.0mm  
Projection

Customer Client	Date
Drawn By / Dessiné Par: BoxCad: BoxCad	Date: 2022-10-19

Material / Matière: 14 Ga Cold Rolled A1008 CS Type B (1.7mm)

Color / Couleur: Asa-61 Grey	Finish / Fini: Smooth
------------------------------	-----------------------

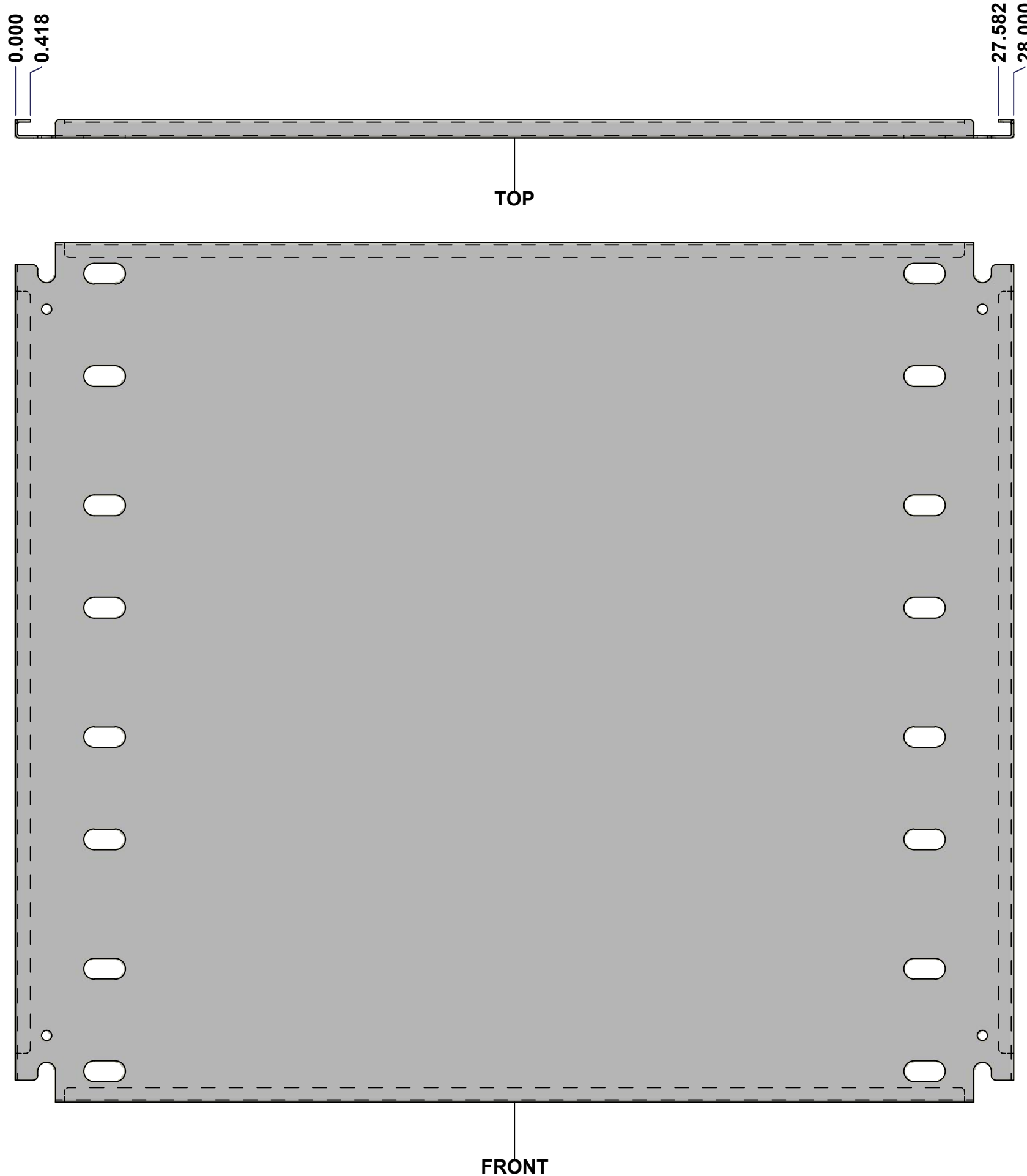
Description: 1412BTCU 30" x 108" Cover	Detail Rev.
--	-------------

Part Number / Numéro Pièce: <b>1412BTCU09604DTC</b>	Rev. 0	13 / 17
---	--------	---------

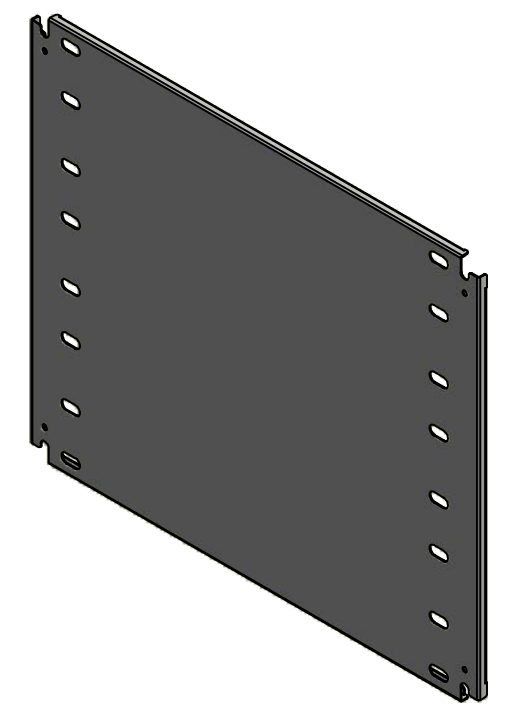
Qty	Part Name	Rev	Description
2	1412BTCU09604DTG	0	1412BTCU 30" x 108" Cover Gasket
1	STK-P-02400S	0	Powder Paint (Asa-61 Grey / Smooth)
8	STK-K-09800	10	5412 ES Hinge with 2 Captive Hinge Pins
2	STK-Q-16080	0	Ground Stud M6 x 16mm
1	STK-S-00100	0	3.5" x 2" Silver Milar Flexcon Sticker
1	1412BTCU09604DTC-P	0	1412BTCU 30" x 54" Left Cover Part
1	1412BTCU09604DTF-P	0	1412BTCU 30" x 108" Right Cover Part
10	880 SCQ4-SL	6	5412 ES 1/4 Turn Lock
Parts List			

This drawing is confidential and must not be reproduced or used without the consent of EXM

Ce dessin est confidentiel et ne doit pas être reproduit ou utilisé sans le consentement de EXM



No.	Revisions	Date	By/Par



Isometric View



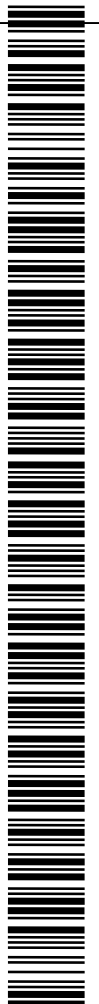
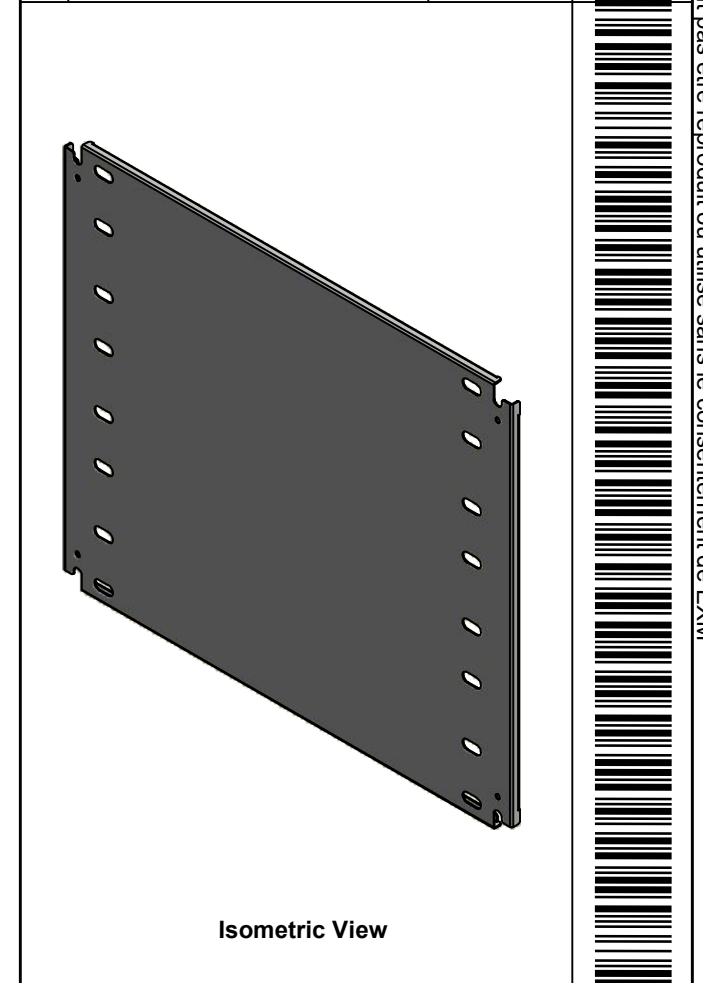
<p>Tél: (450) 979-4373                  Fax: (450) 979-4626  <a href="http://www.exmweb.com">www.exmweb.com</a></p>	Flatness Aplatissement Max 3.0mm
	Projection 
Customer Client	Date
Drawn By Dessiné Par BoxCad: BoxCad	Date 2022-10-19
Material Matière 14 Ga Cold Rolled A1008 CS Type B (1.7mm)	
Color Couleur White RAL9003	Finish Fini Smooth
Description 1412BTCU 24.125" x 28" Left Inner Panel	
Part Number Numéro Pièce <b>1412BTCU09604DTIP1</b>	Detail Rev. Rev. 14 <b>0</b>


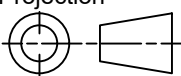
SEE BILL OF MATERIAL ON LAST PAGE

This drawing is confidential and must not be reproduced or used without the consent of EXM

Ce dessin est confidentiel et ne doit pas être reproduit ou utilisé sans le consentement de EXM

No.	Revisions	Date	By/Par

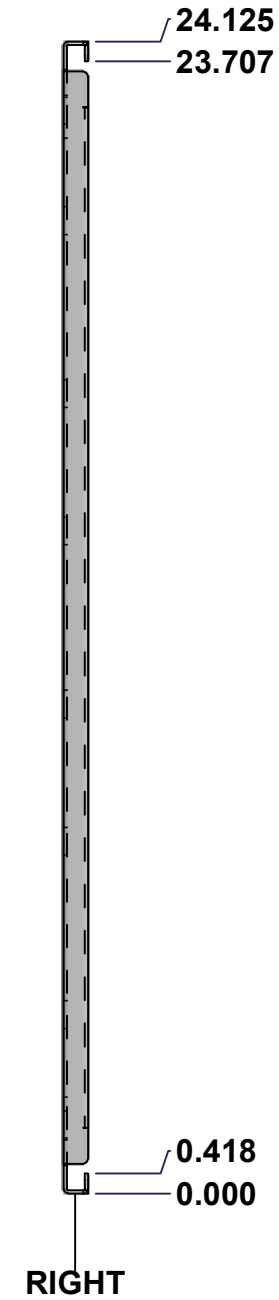
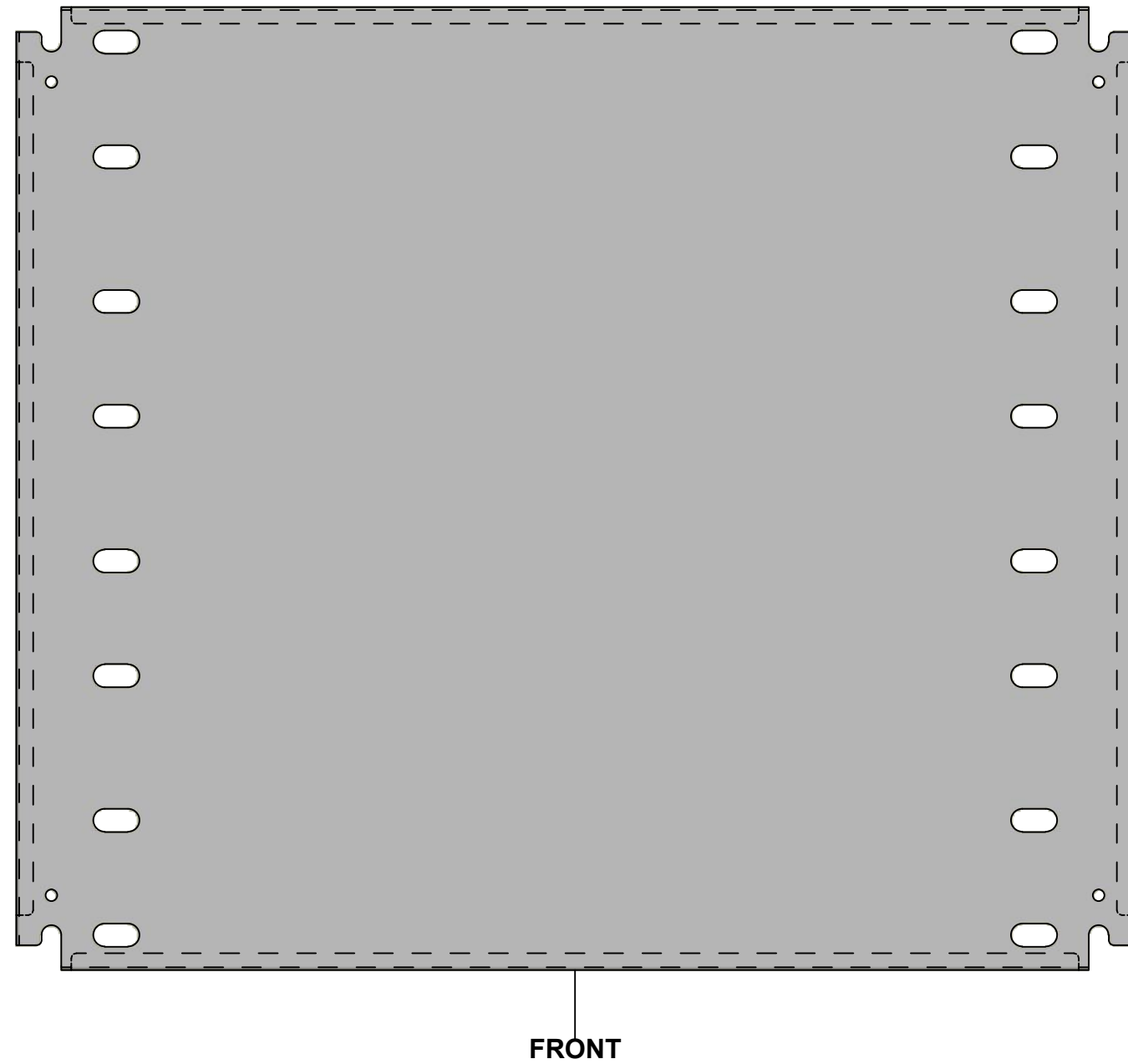
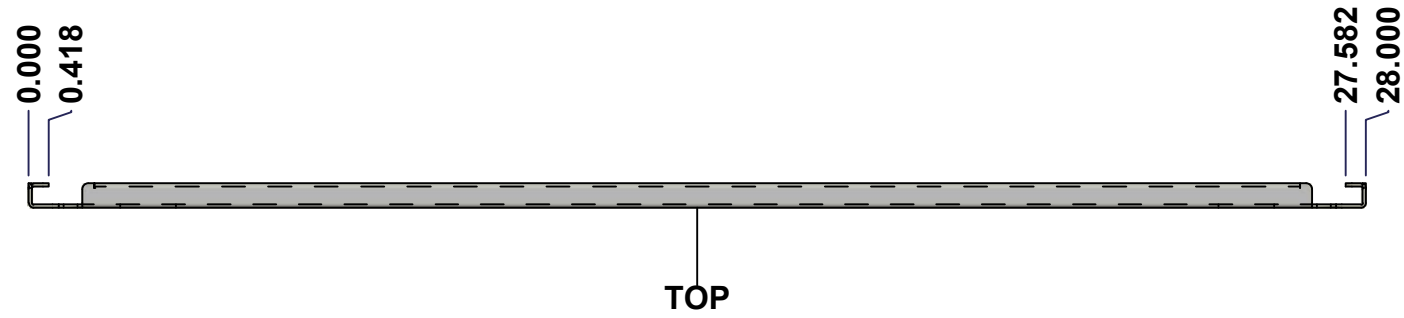


 Tél: (450) 979-4373 Fax: (450) 979-4626 <a href="http://www.exmweb.com">www.exmweb.com</a>		Flatness Aplatissement Max 3.0mm
Customer Client		Projection 
Drawn By / Dessiné Par: BoxCad: BoxCad		Date: 2022-10-19
Material / Matière: 14 Ga Cold Rolled A1008 CS Type B (1.7mm)		
Color / Couleur: White RAL9003	Finish / Fini: Smooth	
Description: 1412BTCU 24.125" x 28" Left Inner Panel		Detail Rev.
Part Number / Numéro Pièce: <b>1412BTCU09604DTIP1</b>		Rev. 15 <b>0</b>

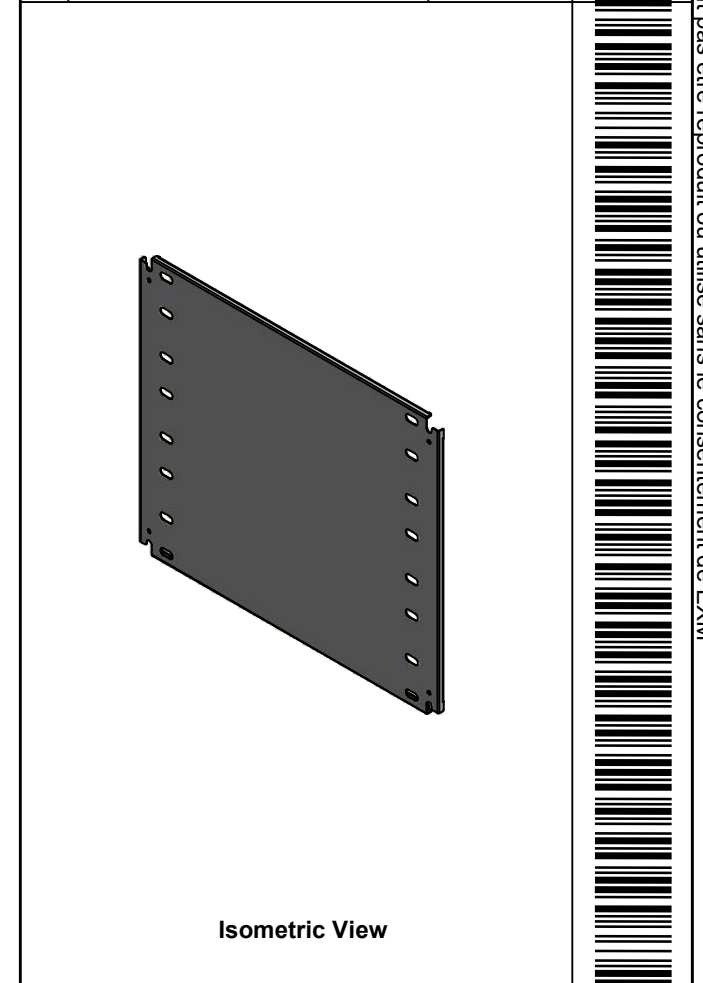
Qty	Part Number	Rev	Description
1	STK-P-02401S	0	Powder Paint (White / Smooth)
1	1412BTCU09604DTIP1-P	0	1412BTCU 24.125" x 108" Left Inner Panel Part
Parts List			


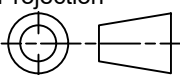
This drawing is confidential and must not be reproduced or used without the consent of EXM

Ce dessin est confidentiel et ne doit pas être reproduit ou utilisé sans le consentement de EXM



No.	Revisions	Date	By/Par



 Tél: (450) 979-4373 Fax: (450) 979-4626 <a href="http://www.exmweb.com">www.exmweb.com</a>		Flatness Aplatissement Max 3.0mm Projection 
Customer Client	Date	
Drawn By Dessiné Par	BoxCad: BoxCad	Date 2022-10-19
Material Matière	14 Ga Cold Rolled A1008 CS Type B (1.7mm)	
Color Couleur	White RAL9003	Finish Fini Smooth
Description 1412BTCU 24.125" x 28" Right Inner Panel		Detail Rev.
Part Number Numéro Pièce	Rev. 0	16 17

SEE BILL OF MATERIAL ON LAST PAGE

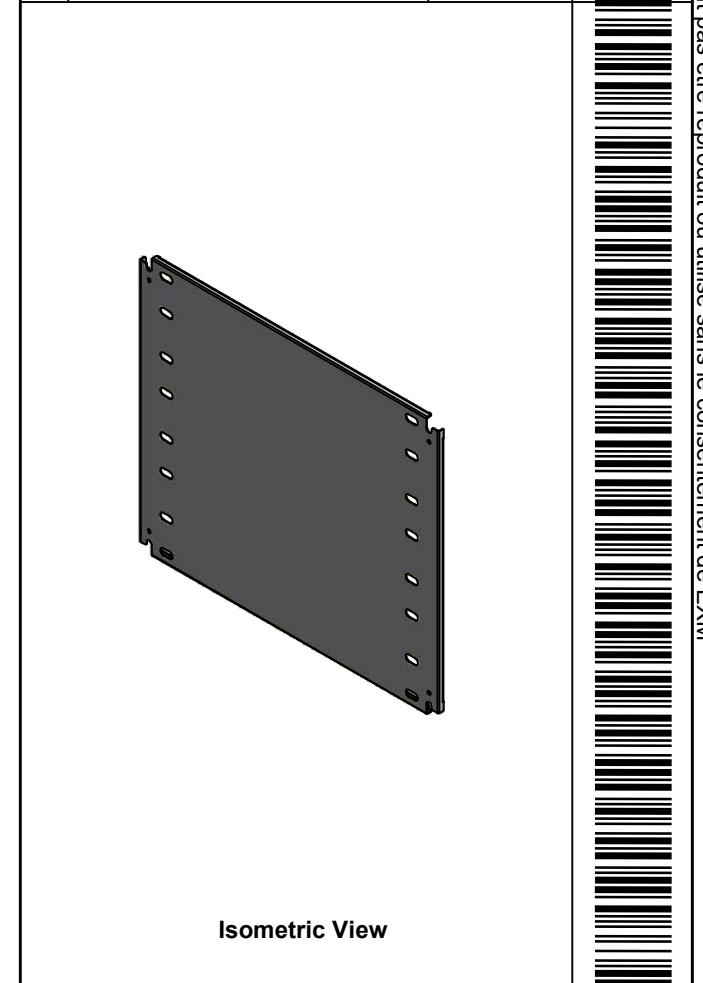
**1412BTCU09604DTIP2**


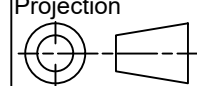


This drawing is confidential and must not be reproduced or used without the consent of EXM

Ce dessin est confidentiel et ne doit pas être reproduit ou utilisé sans le consentement de EXM

No.	Revisions	Date	By/Par



 Tél: (450) 979-4373 Fax: (450) 979-4626 <a href="http://www.exmweb.com">www.exmweb.com</a>		Flatness Aplatissement Max 3.0mm
Customer Client		Projection 
Drawn By / Dessiné Par: BoxCad: BoxCad		Date: 2022-10-19
Material / Matière: 14 Ga Cold Rolled A1008 CS Type B (1.7mm)		
Color / Couleur: White RAL9003	Finish / Fini: Smooth	
Description: 1412BTCU 24.125" x 28" Right Inner Panel		Detail Rev.
Part Number / Numéro Pièce: <b>1412BTCU09604DTIP2</b>		Rev. 17 / 17

Qty	Part Number	Rev	Description
1	STK-P-02401S	0	Powder Paint (White / Smooth)
1	1412BTCU09604DTIP2-P	0	1412BTCU 24.125" x 108" Right Inner Panel Part
Parts List			