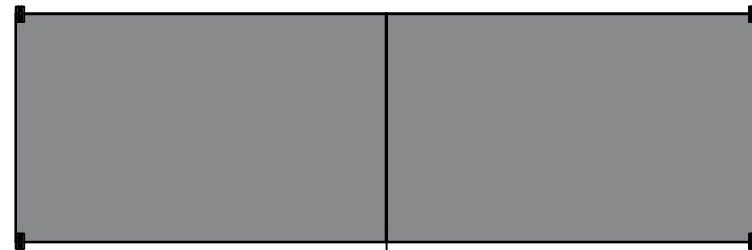


This drawing is confidential and must not be reproduced or used without the consent of EXM

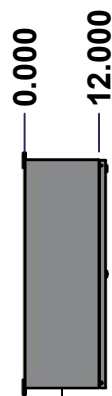
Ce dessin est confidentiel et ne doit pas être reproduit ou utilisé sans le consentement de EXM



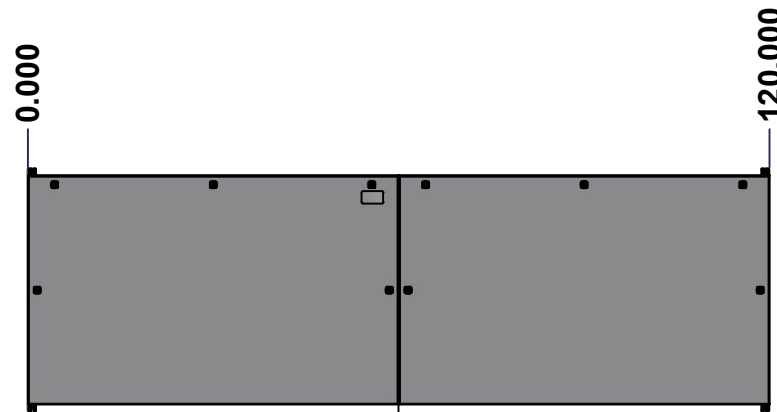
TOP



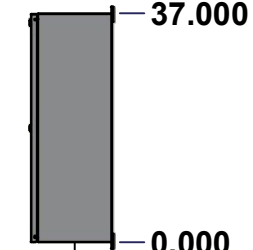
LEFT



LEFT



FRONT

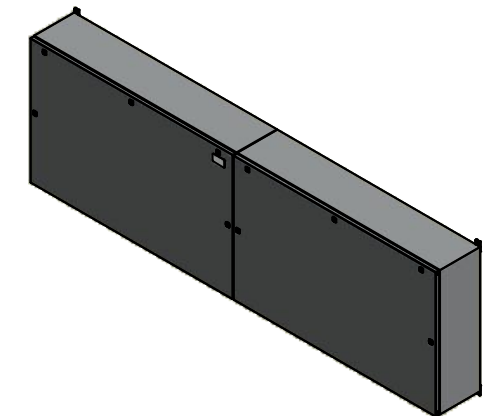


RIGHT



BOTTOM

No.	Revisions	Date	By/Par



Isometric View

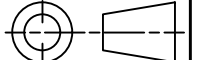


Tél: (450) 979-4373
 Fax: (450) 979-4626
www.exmweb.com

Flatness
Aplatissement

Max 3.0mm

Projection



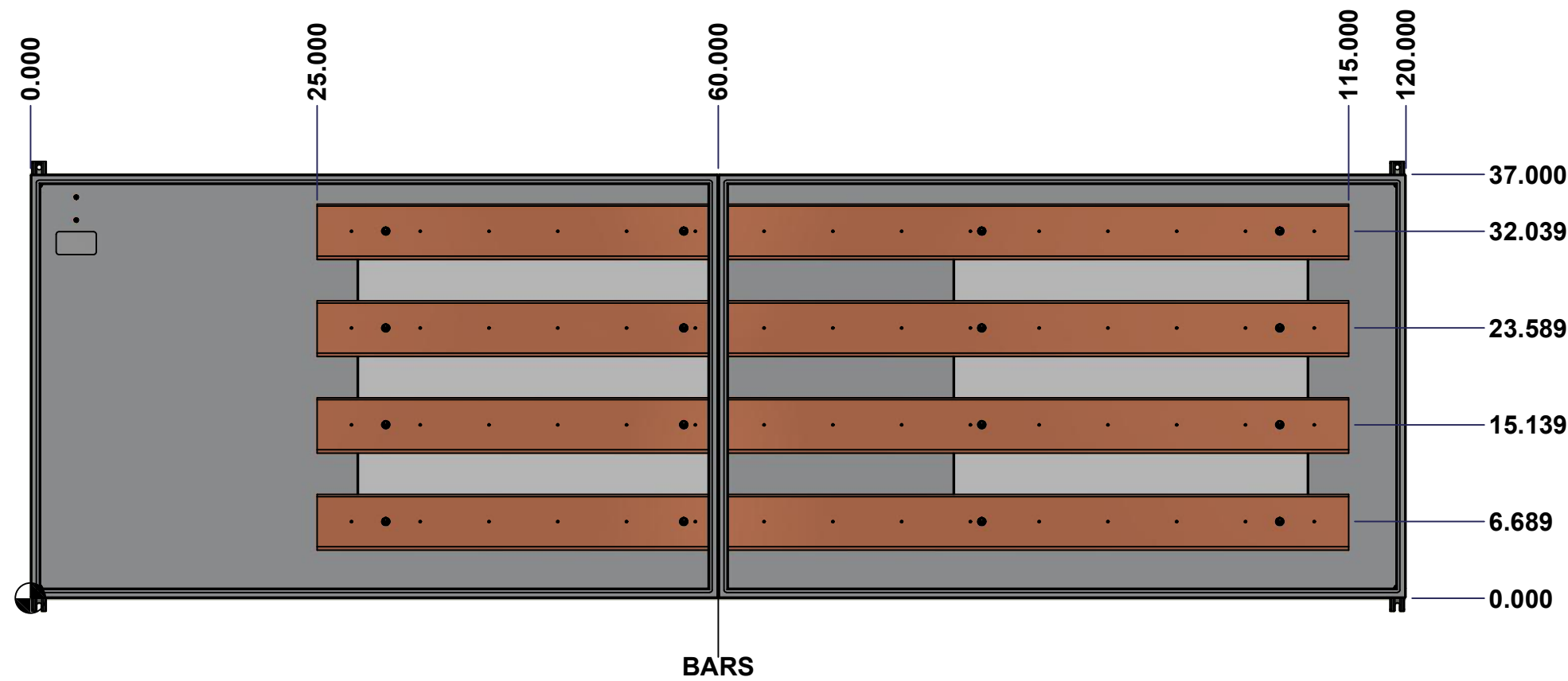
Customer Client	Date
Drawn By Dessiné Par BoxCad: BoxCad	Date 2022-10-24
Material Matière 14 Ga Cold Rolled A1008 CS Type B (1.7mm)	
Color Couleur Asa-61 Grey	Finish Fini Smooth
Description 1412BTCU 2000A - 4Wires x 120" Assembly	Detail Rev.
Part Number Numéro Pièce 1412BTCU102004DT	Rev. 0

SEE BILL OF MATERIAL ON LAST PAGE

This drawing is confidential and must not be reproduced or used without the consent of Eurobox

STANDARD FEATURES ARE NOT LISTED IN THIS HOLE TABLE

Ce dessin est confidentiel et ne doit pas être reproduit ou utilisé sans le consentement de Eurobox



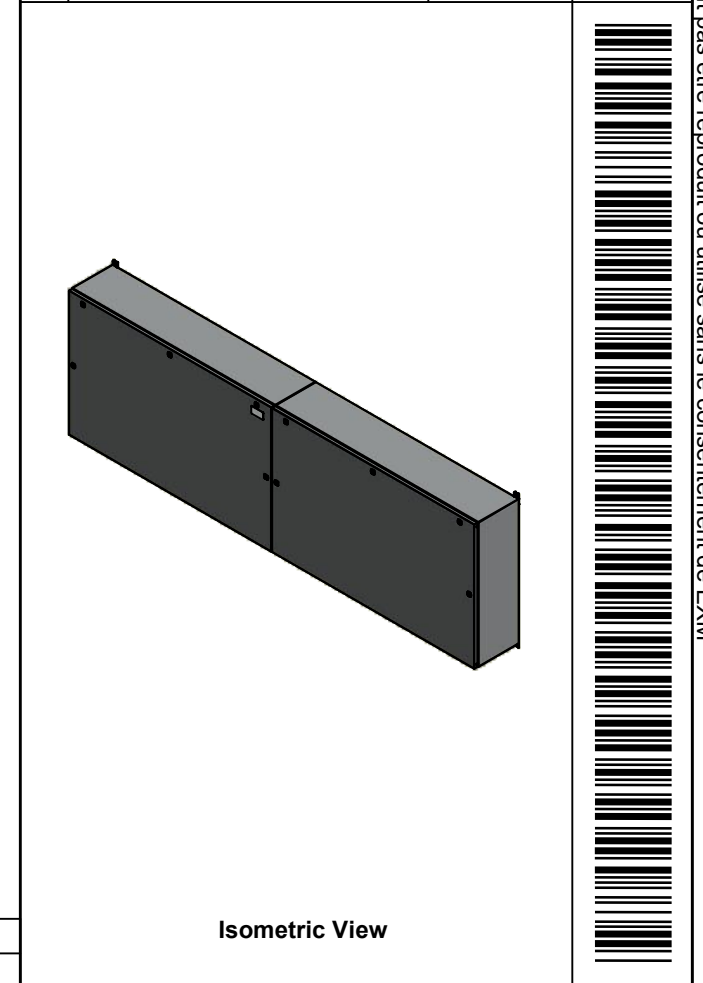
	Description 1412BTCU 2000A - 4Wires x 120" Assembly		Status (NULL)
	Part Number Numéro Pièce 1412BTCU102004DT		Rev. 2 0

This drawing is confidential and must not be reproduced or used without the consent of EXM

Ce dessin est confidentiel et ne doit pas être reproduit ou utilisé sans le consentement de EXM

NOTE	
ITEM	DESCRIPTION
1	NEMA 4/12 Enclosure
2	C/W Standard ground studs on box and cover
3	W/O Standard door stiffener
4	C/W Special inner panel (Sold separately)
5	C/W Standard inner panel mounting studs

No.	Revisions	Date	By/Par



PACKING		
ITEM	QTY	DESCRIPTION
Cardboard sleeve	2	Top and Bottom
Cardboard strip	2	Between back of enclosure and inner panel
Plastic bag	1	To protect cover surface and inside gasket
Cardboard corner	4	To reinforced for the plastic strap tightening
Plastic strap - Black	2	To Squeeze 2 cardboard sleeve together
Packaging label	3	White label with PN
Plastic strap- Green	2	To secure the enclosure to the wood pallet
Wood Pallet	1	2" deeper and 3" larger than enclosure size

1	885 ESMF1	0	885 ESMF1 Mounting Feet Kit
1	1412BTCU102004DTIP2	0	1412BTCU 29.975" x 31" Right Inner Panel
1	1412BTCU102004DTBAR 1-P	0	Rounded Edge Copper Bar 1/2" x 5"
1	1412BTCU102004DTBAR 2-P	0	Rounded Edge Copper Bar 1/2" x 5"
1	1412BTCU102004DTBAR 3-P	0	Rounded Edge Copper Bar 1/2" x 5"
1	1412BTCU102004DTBAR 4-P	0	Rounded Edge Copper Bar 1/2" x 5"
1	1412BTCU102004DTIP1	0	1412BTCU 29.975" x 31" Left Inner Panel
16	STK-A-67400	0	Buss Bar Insulator Kit
1	STK-K-01800	5	5412 ES Accessory Kit
8	STK-Q-04050-07	7	M6 x 7mm Hexagon Socket Head Machine Screw with Nyseal
24	STK-Q-07310	2	Flange Lock Nut M8
8	STK-Q-07610	8	M8 Plastic Spacer 22.2mm
1	1412BTCU102004DTB	0	1412BTCU 37" x 120" x 12" Body
1	1412BTCU102004DTC	0	1412BTCU 37" x 120" Cover
Qty	Part Number	Rev	Description
Parts List			

<p>Tél: (450) 979-4373 Fax: (450) 979-4626 www.exmweb.com</p>	Flatness Aplatissement
	Max 3.0mm
Projection	
Customer Client	Date
Drawn By Dessiné Par BoxCad: BoxCad	Date 2022-10-24
Material Matière 14 Ga Cold Rolled A1008 CS Type B (1.7mm)	
Color Couleur Asa-61 Grey	Finish Fini Smooth
Description 1412BTCU 2000A - 4Wires x 120" Assembly	Detail Rev.
Part Number Numéro Pièce 1412BTCU102004DT	Rev. 0
	3 17

This drawing is confidential and must not be reproduced or used without the consent of EXM

Ce dessin est confidentiel et ne doit pas être reproduit ou utilisé sans le consentement de EXM



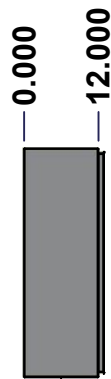
TOP



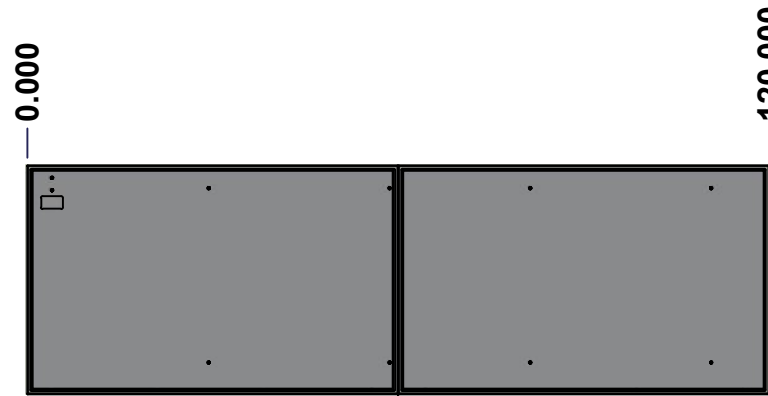
BACK



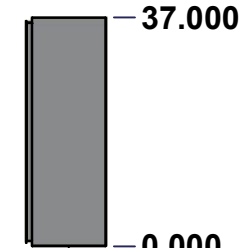
BOTTOM



LEFT

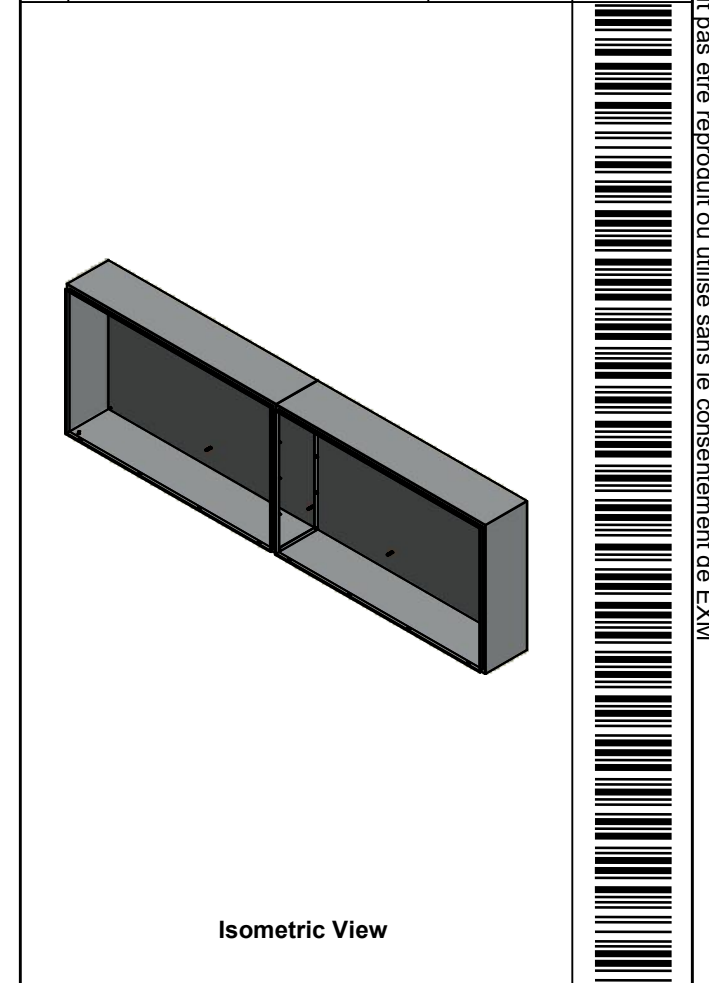


FRONT




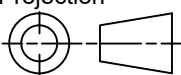
RIGHT

No.	Revisions	Date	By/Par



Isometric View



 Tél: (450) 979-4373 Fax: (450) 979-4626 www.exmweb.com		Flatness Aplatissement Max 3.0mm Projection 
Customer Client	Date	
Drawn By Dessiné Par	BoxCad: BoxCad	Date 2022-10-24
Material Matière	14 Ga Cold Rolled A1008 CS Type B (1.7mm)	
Color Couleur	Asa-61 Grey	Finish Fini Smooth
Description	Detail Rev.	
1412BTCU 37" x 120" x 12" Body		
Part Number Numéro Pièce	Rev.	4
1412BTCU102004DTB	0	17

SEE BILL OF MATERIAL ON LAST PAGE

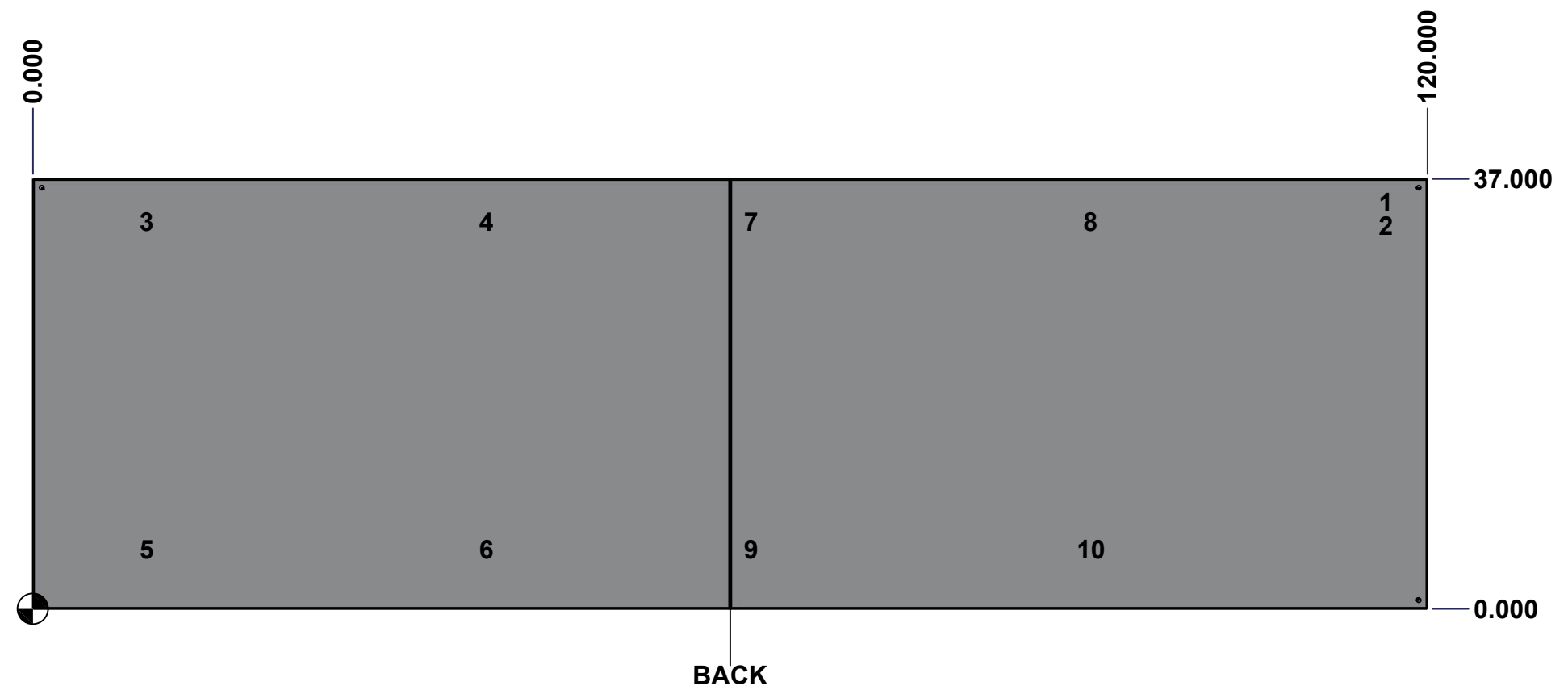
This drawing is confidential and must not be reproduced or used without the consent of Eurobox

Ce dessin est confidentiel et ne doit pas être reproduit ou utilisé sans le consentement de Eurobox

STANDARD FEATURES ARE NOT LISTED IN THIS HOLE TABLE

HOLE TABLE - BACK VIEW (CUSTOM FEATURE ONLY)

CUT-OUT	XDIM	YDIM	DESCRIPTION
1	116.000	35.000	GND STUD M8 x 35mm (Inside)
2	116.000	33.000	GND STUD M8 x 35mm (Inside)
3	9.375	33.350	IP STUD M8 x 35mm (Inside)
4	38.625	33.350	IP STUD M8 x 35mm (Inside)
5	9.375	5.125	IP STUD M8 x 35mm (Inside)
6	38.625	5.125	IP STUD M8 x 35mm (Inside)
7	61.375	33.350	IP STUD M8 x 35mm (Inside)
8	90.625	33.350	IP STUD M8 x 35mm (Inside)
9	61.375	5.125	IP STUD M8 x 35mm (Inside)
10	90.625	5.125	IP STUD M8 x 35mm (Inside)

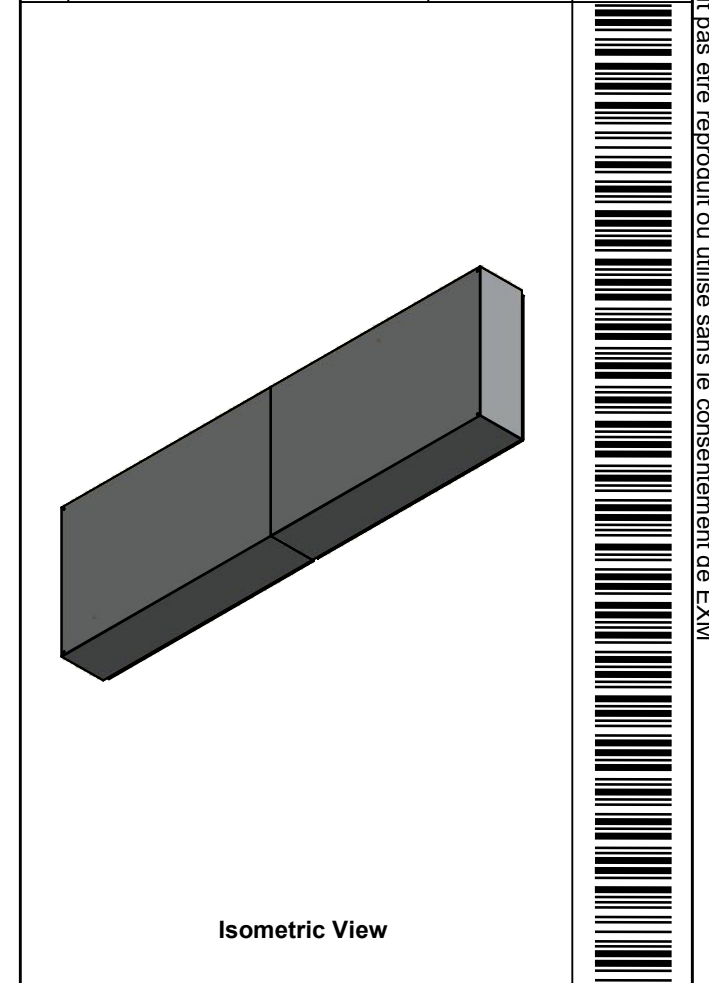


	Description		Status
	1412BTCU 37" x 120" x 12" Body		(NULL)
Part Number Numéro Pièce		Rev.	5
1412BTCU102004DTB		0	17

This drawing is confidential and must not be reproduced or used without the consent of EXM

Ce dessin est confidentiel et ne doit pas être reproduit ou utilisé sans le consentement de EXM

No.	Revisions	Date	By/Par



EXM
www.exmweb.com

Tél: (450) 979-4373
Fax: (450) 979-4626

Flatness
Aplatissement
Max 3.0mm

Projection

Customer Client	Date
Drawn By Dessiné Par BoxCad: BoxCad	Date 2022-10-24
Material Matière	14 Ga Cold Rolled A1008 CS Type B (1.7mm)

Color Couleur	Asa-61 Grey	Finish Fini	Smooth
Description	1412BTCU 37" x 120" x 12" Body		
Detail Rev.			

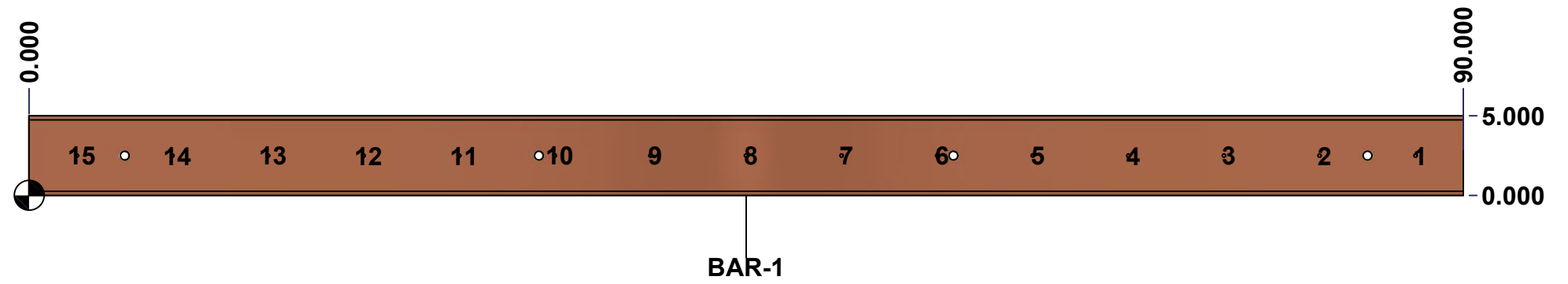
Part Number Numéro Pièce	Rev.	6
1412BTCU102004DTB	0	17

Qty	Part Number	Rev	Description
1	STK-P-02400S	0	Powder Paint (Asa-61 Grey / Smooth)
1	1412BTCU102004DTB-P	0	1412BTCU 37" x 120" x 12" Left Body Part
1	1412BTCU102004DTE-P	0	1412BTCU 37" x 120" x 12" Right Body Part
1	STK-G-00701	0	1" x 1/4" Self-Adhesive Neoprene Gasket
10	STK-Q-00260	1	M6 x 13mm Carriage Bolt
10	STK-Q-07220	1	M6 Nylon Insert Lock Nut
10	STK-Q-16005	1	Stud M8 x 35 (No Paint Cap Required)
2	STK-Q-16080	0	Ground Stud M6 x 16mm
1	STK-S-00100	0	3.5" x 2" Silver Milar Flexcon Sticker
Parts List			

This drawing is confidential and must not be reproduced or used without the consent of Eurobox

Ce dessin est confidentiel et ne doit pas être reproduit ou utilisé sans le consentement de Eurobox

STANDARD FEATURES ARE NOT LISTED IN THIS HOLE TABLE			
HOLE TABLE - FRONT VIEW (CUSTOM FEATURE ONLY)			
CUT-OUT	XDIM	YDIM	DESCRIPTION
1	87.000	2.500	RND Ø0.201 THREAD 1/4-20 UNC
2	81.000	2.500	RND Ø0.201 THREAD 1/4-20 UNC
3	75.000	2.500	RND Ø0.201 THREAD 1/4-20 UNC
4	69.000	2.500	RND Ø0.201 THREAD 1/4-20 UNC
5	63.000	2.500	RND Ø0.201 THREAD 1/4-20 UNC
6	57.000	2.500	RND Ø0.201 THREAD 1/4-20 UNC
7	51.000	2.500	RND Ø0.201 THREAD 1/4-20 UNC
8	45.000	2.500	RND Ø0.201 THREAD 1/4-20 UNC
9	39.000	2.500	RND Ø0.201 THREAD 1/4-20 UNC
10	33.000	2.500	RND Ø0.201 THREAD 1/4-20 UNC
11	27.000	2.500	RND Ø0.201 THREAD 1/4-20 UNC
12	21.000	2.500	RND Ø0.201 THREAD 1/4-20 UNC
13	15.000	2.500	RND Ø0.201 THREAD 1/4-20 UNC
14	9.000	2.500	RND Ø0.201 THREAD 1/4-20 UNC
15	3.000	2.500	RND Ø0.201 THREAD 1/4-20 UNC

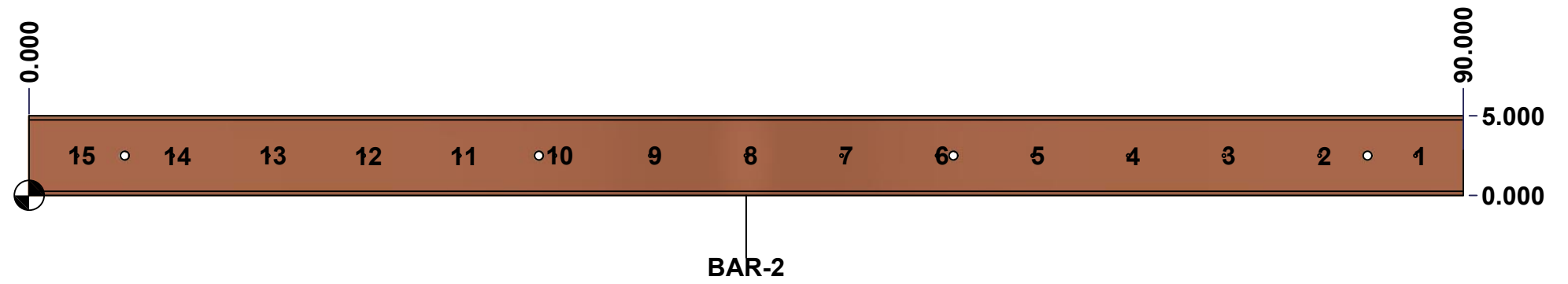


	Description	Status
	Rounded Edge Copper Bar 1/2" x 5"	(NULL)
	Part Number Numéro Pièce	Rev.
	1412BTCU102004DTBAR1-P	7
	0	17

This drawing is confidential and must not be reproduced or used without the consent of Eurobex

Ce dessin est confidentiel et ne doit pas être reproduit ou utilisé sans le consentement de Eurobex

STANDARD FEATURES ARE NOT LISTED IN THIS HOLE TABLE			
HOLE TABLE - FRONT VIEW (CUSTOM FEATURE ONLY)			
CUT-OUT	XDIM	YDIM	DESCRIPTION
1	87.000	2.500	RND Ø0.201 THREAD 1/4-20 UNC
2	81.000	2.500	RND Ø0.201 THREAD 1/4-20 UNC
3	75.000	2.500	RND Ø0.201 THREAD 1/4-20 UNC
4	69.000	2.500	RND Ø0.201 THREAD 1/4-20 UNC
5	63.000	2.500	RND Ø0.201 THREAD 1/4-20 UNC
6	57.000	2.500	RND Ø0.201 THREAD 1/4-20 UNC
7	51.000	2.500	RND Ø0.201 THREAD 1/4-20 UNC
8	45.000	2.500	RND Ø0.201 THREAD 1/4-20 UNC
9	39.000	2.500	RND Ø0.201 THREAD 1/4-20 UNC
10	33.000	2.500	RND Ø0.201 THREAD 1/4-20 UNC
11	27.000	2.500	RND Ø0.201 THREAD 1/4-20 UNC
12	21.000	2.500	RND Ø0.201 THREAD 1/4-20 UNC
13	15.000	2.500	RND Ø0.201 THREAD 1/4-20 UNC
14	9.000	2.500	RND Ø0.201 THREAD 1/4-20 UNC
15	3.000	2.500	RND Ø0.201 THREAD 1/4-20 UNC

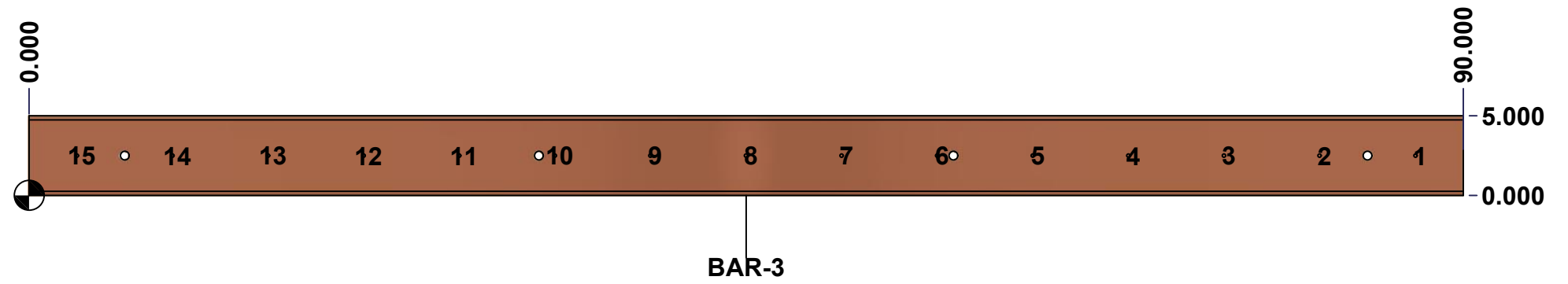


	Description	Status
	Rounded Edge Copper Bar 1/2" x 5"	(NULL)
	Part Number Numéro Pièce	Rev.
	1412BTCU102004DTBAR2-P	8
		0
		17

This drawing is confidential and must not be reproduced or used without the consent of Eurobox

Ce dessin est confidentiel et ne doit pas être reproduit ou utilisé sans le consentement de Eurobox

STANDARD FEATURES ARE NOT LISTED IN THIS HOLE TABLE			
HOLE TABLE - FRONT VIEW (CUSTOM FEATURE ONLY)			
CUT-OUT	XDIM	YDIM	DESCRIPTION
1	87.000	2.500	RND Ø0.201 THREAD 1/4-20 UNC
2	81.000	2.500	RND Ø0.201 THREAD 1/4-20 UNC
3	75.000	2.500	RND Ø0.201 THREAD 1/4-20 UNC
4	69.000	2.500	RND Ø0.201 THREAD 1/4-20 UNC
5	63.000	2.500	RND Ø0.201 THREAD 1/4-20 UNC
6	57.000	2.500	RND Ø0.201 THREAD 1/4-20 UNC
7	51.000	2.500	RND Ø0.201 THREAD 1/4-20 UNC
8	45.000	2.500	RND Ø0.201 THREAD 1/4-20 UNC
9	39.000	2.500	RND Ø0.201 THREAD 1/4-20 UNC
10	33.000	2.500	RND Ø0.201 THREAD 1/4-20 UNC
11	27.000	2.500	RND Ø0.201 THREAD 1/4-20 UNC
12	21.000	2.500	RND Ø0.201 THREAD 1/4-20 UNC
13	15.000	2.500	RND Ø0.201 THREAD 1/4-20 UNC
14	9.000	2.500	RND Ø0.201 THREAD 1/4-20 UNC
15	3.000	2.500	RND Ø0.201 THREAD 1/4-20 UNC

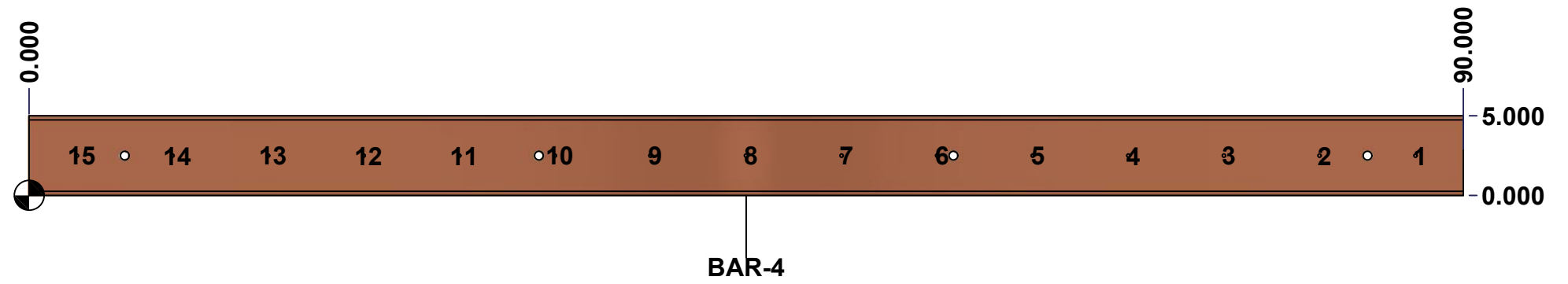


	Description	Status
	Rounded Edge Copper Bar 1/2" x 5"	(NULL)
	Part Number Numéro Pièce	Rev.
	1412BTCU102004DTBAR3-P	9
		0
		17

This drawing is confidential and must not be reproduced or used without the consent of Eurobex

Ce dessin est confidentiel et ne doit pas être reproduit ou utilisé sans le consentement de Eurobex

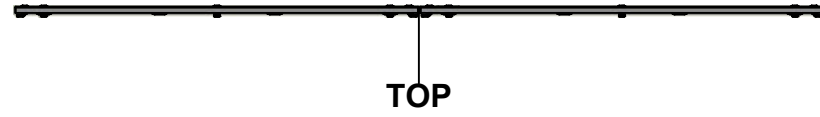
STANDARD FEATURES ARE NOT LISTED IN THIS HOLE TABLE			
HOLE TABLE - FRONT VIEW (CUSTOM FEATURE ONLY)			
CUT-OUT	XDIM	YDIM	DESCRIPTION
1	87.000	2.500	RND Ø0.201 THREAD 1/4-20 UNC
2	81.000	2.500	RND Ø0.201 THREAD 1/4-20 UNC
3	75.000	2.500	RND Ø0.201 THREAD 1/4-20 UNC
4	69.000	2.500	RND Ø0.201 THREAD 1/4-20 UNC
5	63.000	2.500	RND Ø0.201 THREAD 1/4-20 UNC
6	57.000	2.500	RND Ø0.201 THREAD 1/4-20 UNC
7	51.000	2.500	RND Ø0.201 THREAD 1/4-20 UNC
8	45.000	2.500	RND Ø0.201 THREAD 1/4-20 UNC
9	39.000	2.500	RND Ø0.201 THREAD 1/4-20 UNC
10	33.000	2.500	RND Ø0.201 THREAD 1/4-20 UNC
11	27.000	2.500	RND Ø0.201 THREAD 1/4-20 UNC
12	21.000	2.500	RND Ø0.201 THREAD 1/4-20 UNC
13	15.000	2.500	RND Ø0.201 THREAD 1/4-20 UNC
14	9.000	2.500	RND Ø0.201 THREAD 1/4-20 UNC
15	3.000	2.500	RND Ø0.201 THREAD 1/4-20 UNC



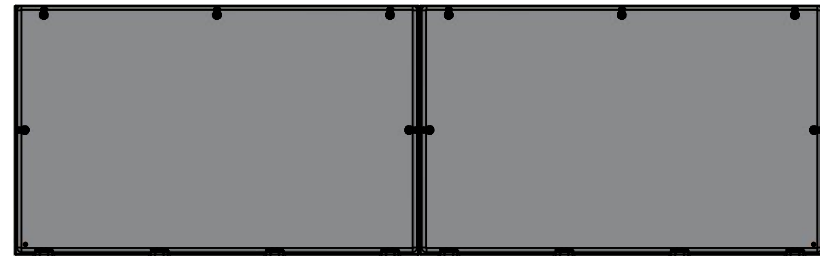
	Description	Status
	Rounded Edge Copper Bar 1/2" x 5"	(NULL)
	Part Number Numéro Pièce	Rev.
	1412BTCU102004DTBAR4-P	0
		10
		17

This drawing is confidential and must not be reproduced or used without the consent of EXM

Ce dessin est confidentiel et ne doit pas être reproduit ou utilisé sans le consentement de EXM



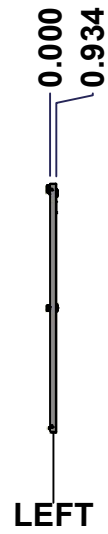
TOP



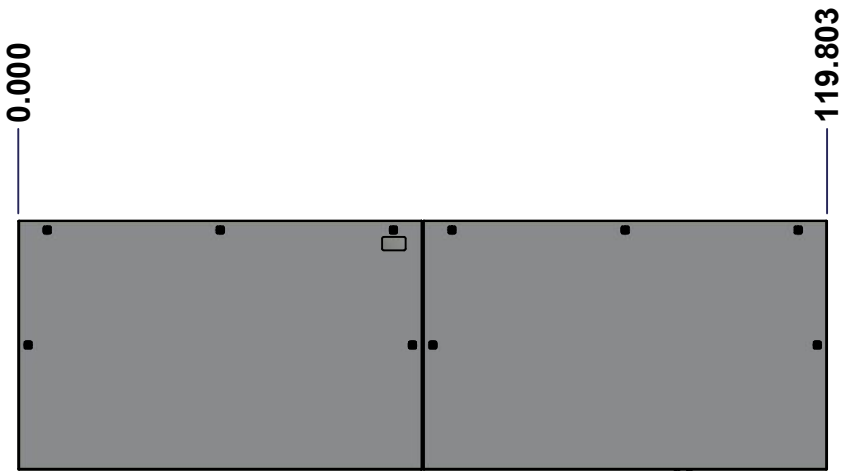
BACK



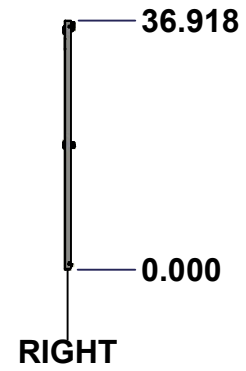
BOTTOM



LEFT

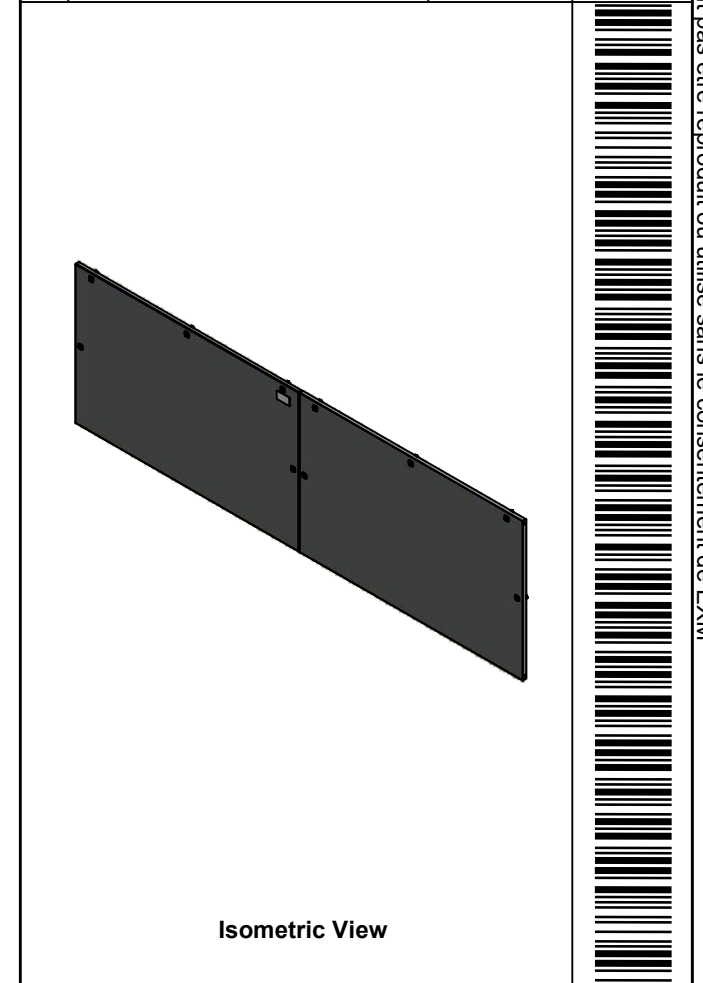


FRONT




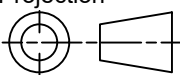
RIGHT

No.	Revisions	Date	By/Par



Isometric View



 Tél: (450) 979-4373 Fax: (450) 979-4626 www.exmweb.com		Flatness Aplatissement Max 3.0mm Projection 
Customer Client	Date	
Drawn By Dessiné Par	BoxCad: BoxCad	Date 2022-10-24
Material Matière	14 Ga Cold Rolled A1008 CS Type B (1.7mm)	
Color Couleur	Asa-61 Grey	Finish Fini Smooth
Description 1412BTCU 37" x 120" Cover		Detail Rev.
Part Number Numéro Pièce	Rev. 0	11 / 17

SEE BILL OF MATERIAL ON LAST PAGE

1412BTCU102004DTC

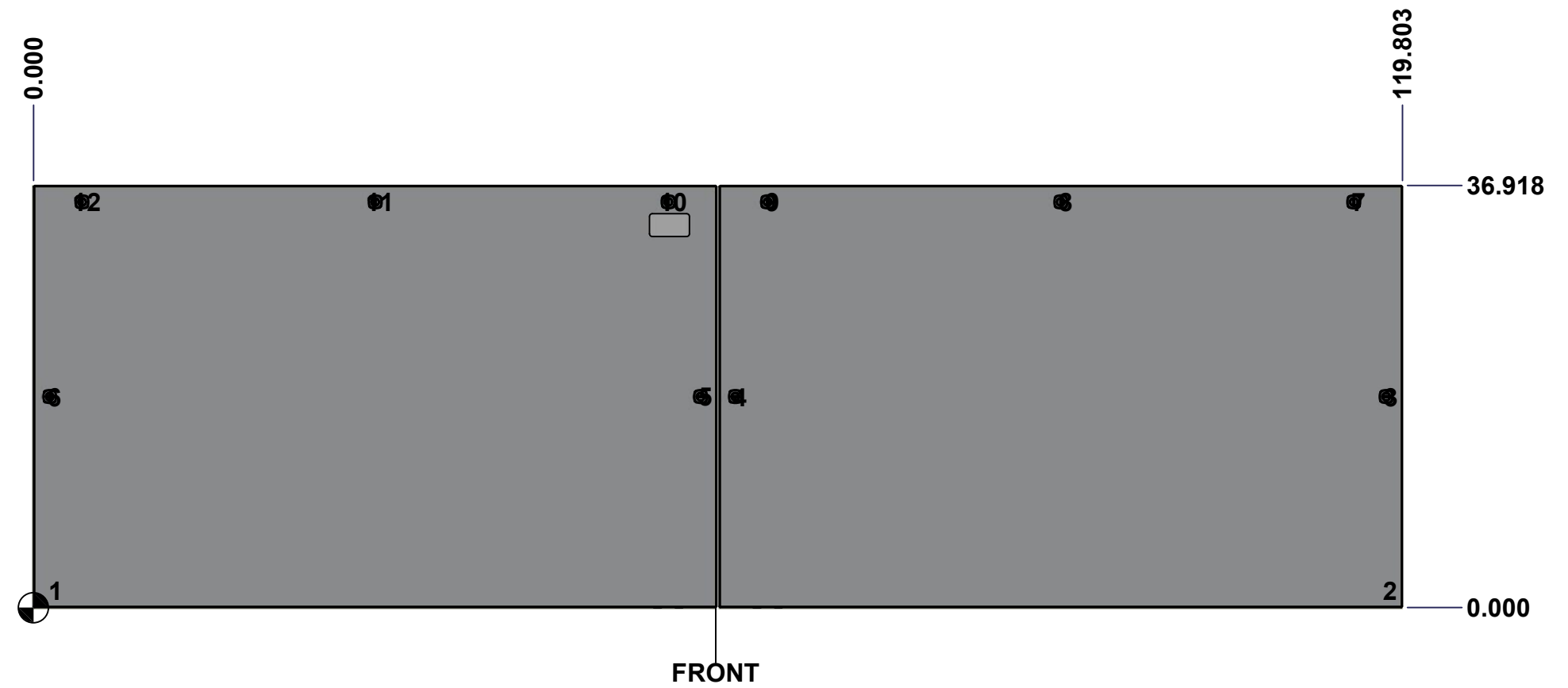
This drawing is confidential and must not be reproduced or used without the consent of Eurobox

Ce dessin est confidentiel et ne doit pas être reproduit ou utilisé sans le consentement de Eurobox

STANDARD FEATURES ARE NOT LISTED IN THIS HOLE TABLE

HOLE TABLE - FRONT VIEW (CUSTOM FEATURE ONLY)

CUT-OUT	XDIM	YDIM	DESCRIPTION
1	1.500	1.486	GND STUD M6 x 16mm (Inside)
2	118.303	1.486	GND STUD M6 x 16mm (Inside)
3	118.379	18.459	LOCK 880 SCQ4-SL @ 0.0°
4	61.424	18.459	LOCK 880 SCQ4-SL @ 180.0°
5	58.379	18.459	LOCK 880 SCQ4-SL @ 0.0°
6	1.424	18.459	LOCK 880 SCQ4-SL @ 180.0°
7	115.553	35.494	LOCK 880 SCQ4-SL @ 90.0°
8	89.902	35.494	LOCK 880 SCQ4-SL @ 90.0°
9	64.250	35.494	LOCK 880 SCQ4-SL @ 90.0°
10	55.553	35.494	LOCK 880 SCQ4-SL @ 90.0°
11	29.902	35.494	LOCK 880 SCQ4-SL @ 90.0°
12	4.250	35.494	LOCK 880 SCQ4-SL @ 90.0°

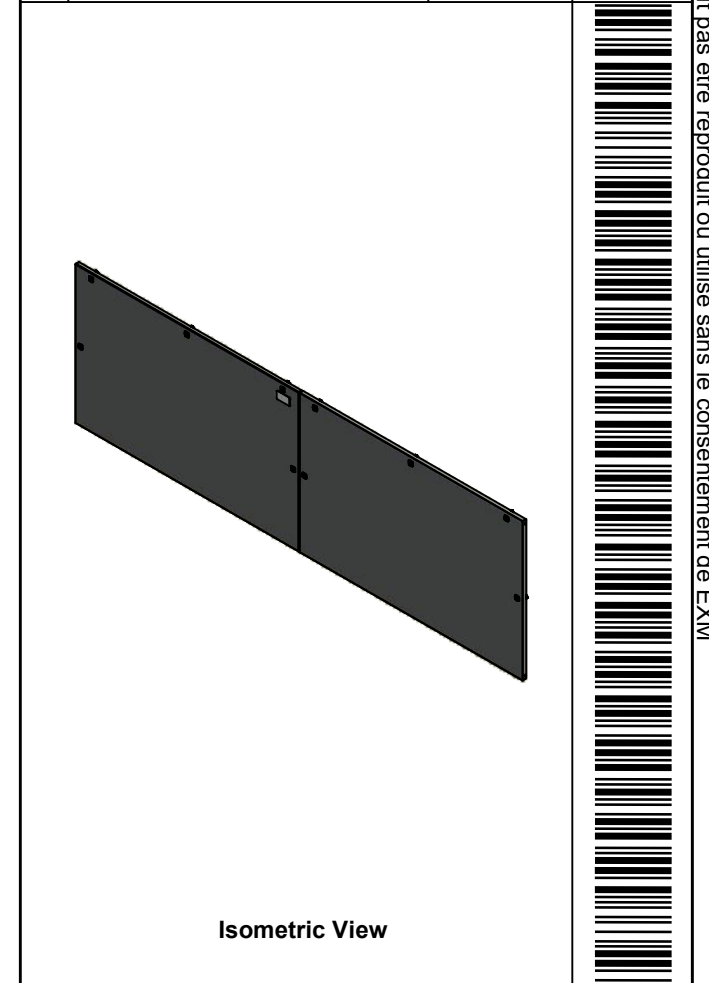


	Description	Status
	1412BTCU 37" x 120" Cover	(NULL)
	Part Number Numéro Pièce	Rev.
	1412BTCU102004DTC	0
		12
		17


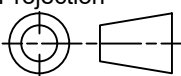
This drawing is confidential and must not be reproduced or used without the consent of EXM

Ce dessin est confidentiel et ne doit pas être reproduit ou utilisé sans le consentement de EXM

No.	Revisions	Date	By/Par



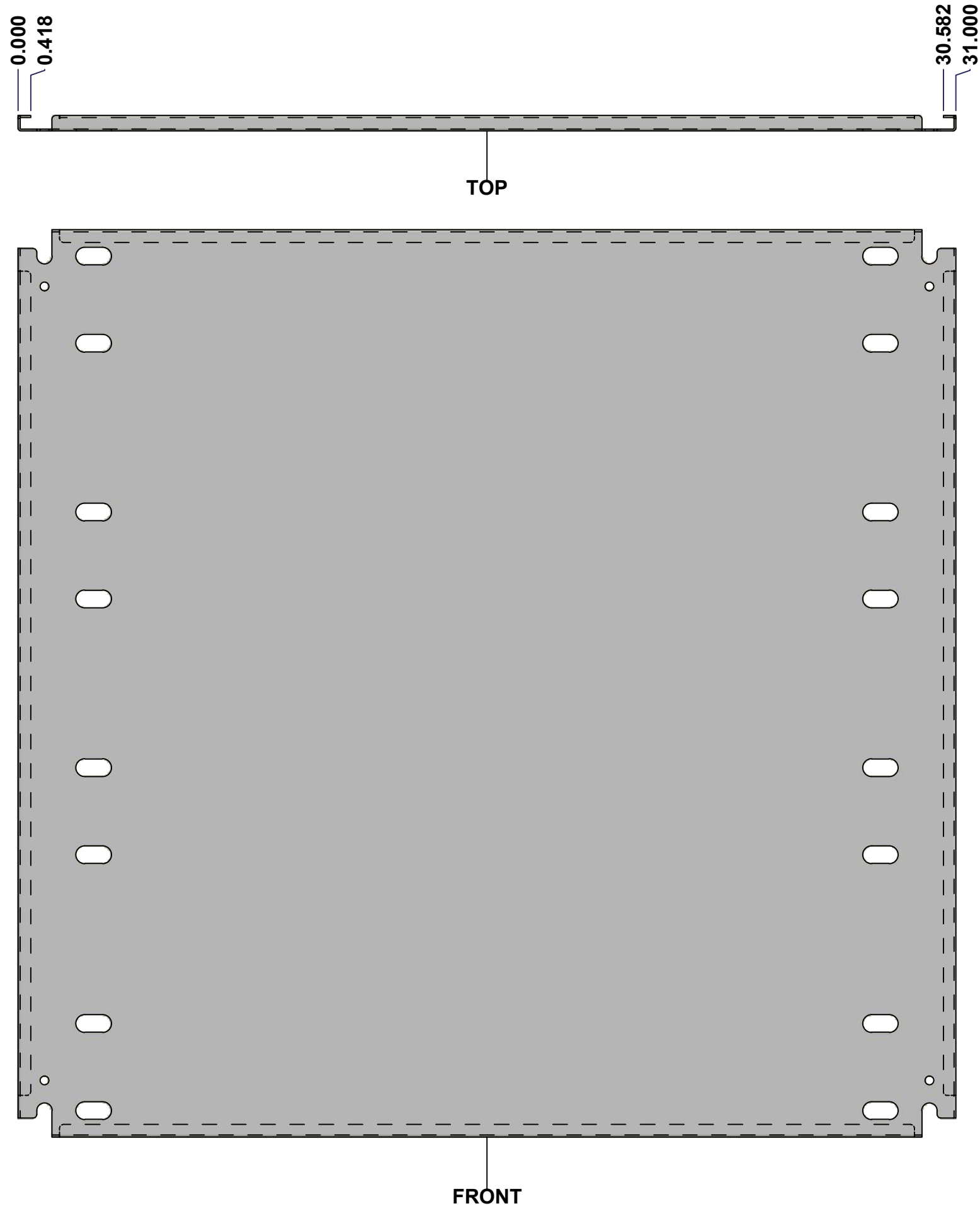
Isometric View

 Tél: (450) 979-4373 Fax: (450) 979-4626 www.exmweb.com		Flatness Aplatissement Max 3.0mm Projection 
Customer Client	Date	
Drawn By Dessiné Par	BoxCad: BoxCad	Date 2022-10-24
Material Matière	14 Ga Cold Rolled A1008 CS Type B (1.7mm)	
Color Couleur	Asa-61 Grey	Finish Fini Smooth
Description		Detail Rev.
1412BTCU 37" x 120" Cover		
Part Number Numéro Pièce	Rev.	13
1412BTCU102004DTC	0	17

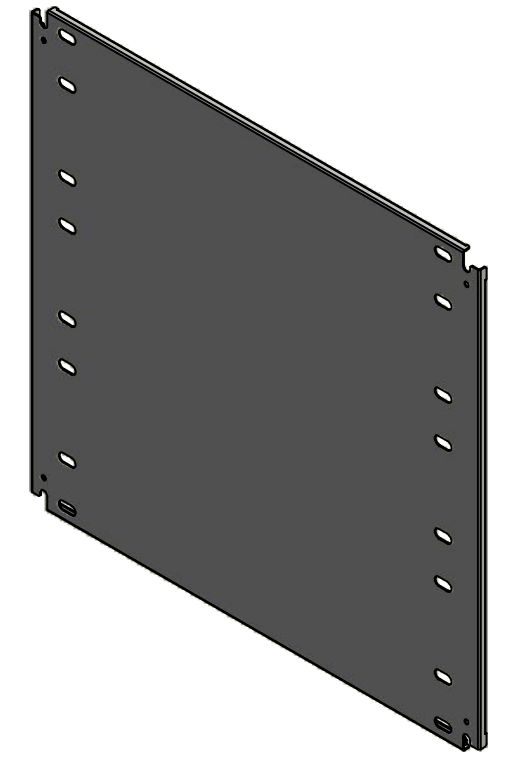
2	1412BTCU102004DTG	0	1412BTCU 37" x 120" Cover Gasket
1	STK-P-02400S	0	Powder Paint (Asa-61 Grey / Smooth)
8	STK-K-09800	10	5412 ES Hinge with 2 Captive Hinge Pins
2	STK-Q-16080	0	Ground Stud M6 x 16mm
1	STK-S-00100	0	3.5" x 2" Silver Milar Flexcon Sticker
1	1412BTCU102004DTC-P	0	1412BTCU 37" x 60" Left Cover Part
1	1412BTCU102004DTF-P	0	1412BTCU 37" x 120" Right Cover Part
10	880 SCQ4-SL	6	5412 ES 1/4 Turn Lock
Qty	Part Name	Rev	Description
Parts List			

This drawing is confidential and must not be reproduced or used without the consent of EXM

Ce dessin est confidentiel et ne doit pas être reproduit ou utilisé sans le consentement de EXM


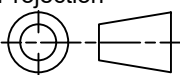


No.	Revisions	Date	By/Par



Isometric View



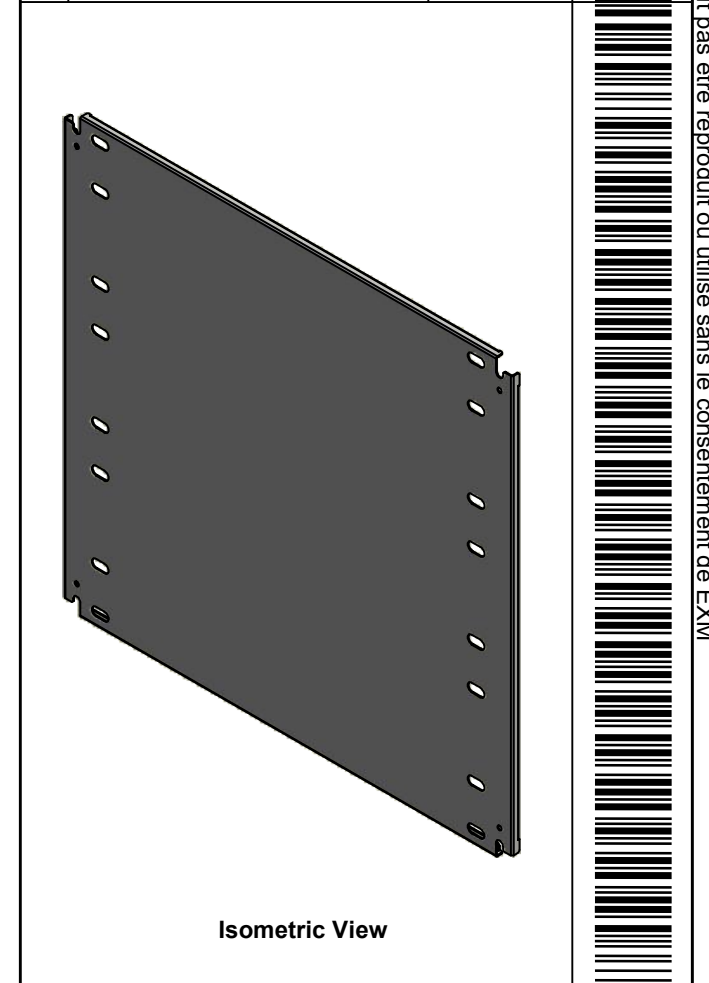
 Tél: (450) 979-4373 Fax: (450) 979-4626 www.exmweb.com		Flatness Aplatissement Max 3.0mm Projection 
Customer Client	Date	
Drawn By Dessiné Par	BoxCad: BoxCad	Date 2022-10-24
Material Matière	14 Ga Cold Rolled A1008 CS Type B (1.7mm)	
Color Couleur	White RAL9003	Finish Fini Smooth
Description		Detail Rev.
1412BTCU 29.975" x 31" Left Inner Panel		
Part Number Numéro Pièce	Rev.	
1412BTCU102004DTIP1	0	14 / 17

SEE BILL OF MATERIAL ON LAST PAGE

This drawing is confidential and must not be reproduced or used without the consent of EXM


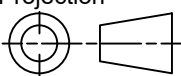
Ce dessin est confidentiel et ne doit pas être reproduit ou utilisé sans le consentement de EXM

No.	Revisions	Date	By/Par



Isometric View

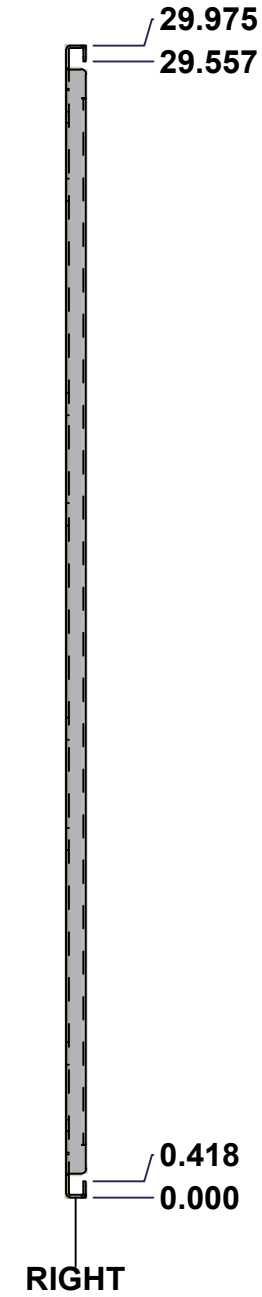
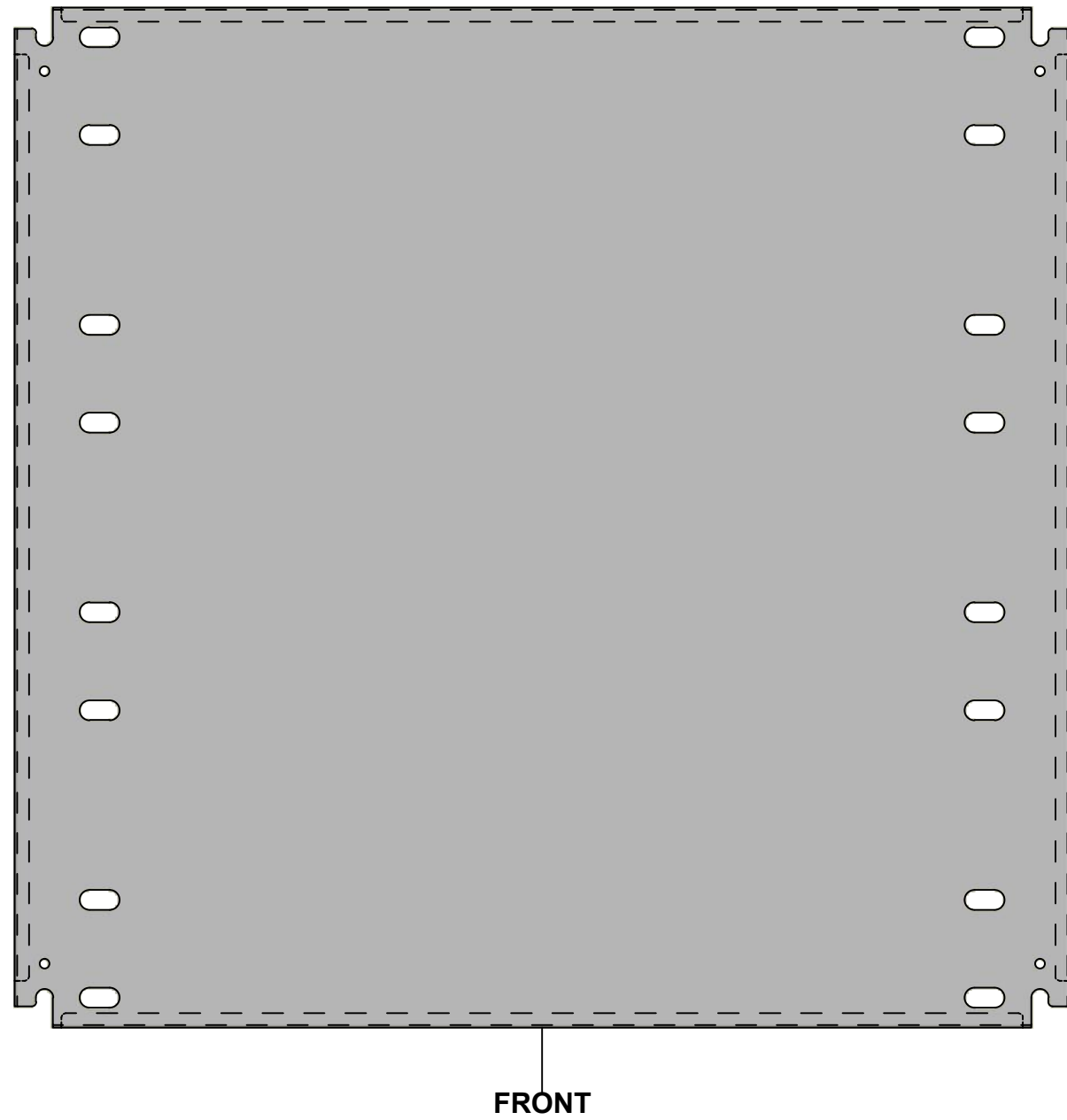
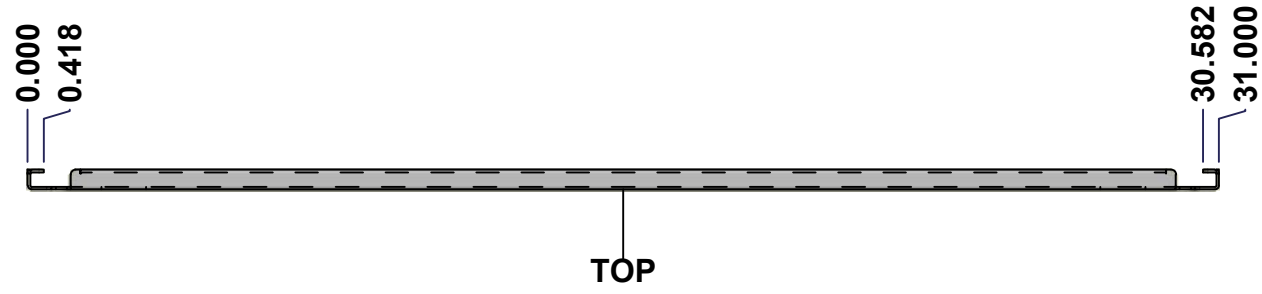


 Tél: (450) 979-4373 Fax: (450) 979-4626 www.exmweb.com		Flatness Aplatissement Max 3.0mm Projection 
Customer Client	Date	
Drawn By Dessiné Par	BoxCad: BoxCad	Date 2022-10-24
Material Matière	14 Ga Cold Rolled A1008 CS Type B (1.7mm)	
Color Couleur	White RAL9003	Finish Fini Smooth
Description		Detail Rev.
1412BTCU 29.975" x 31" Left Inner Panel		
Part Number Numéro Pièce	Rev.	15
1412BTCU102004DTIP1	0	17

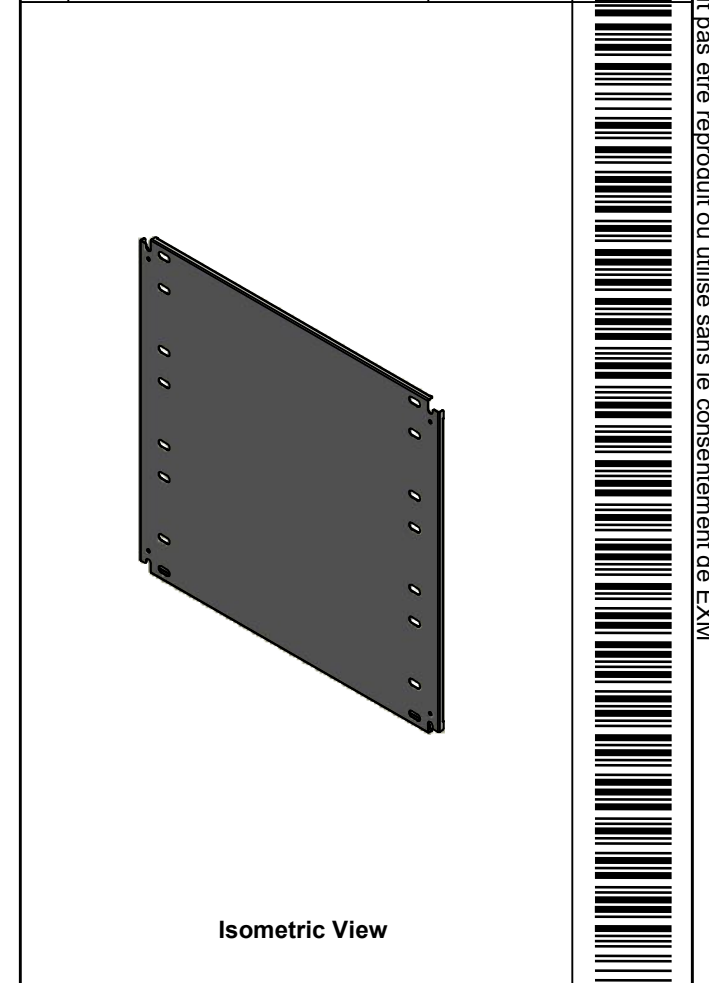
Qty	Part Number	Rev	Description
1	STK-P-02401S	0	Powder Paint (White / Smooth)
1	1412BTCU102004DTIP1-P	0	1412BTCU 29.975" x 120" Left Inner Panel Part
Parts List			


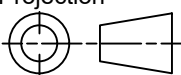
This drawing is confidential and must not be reproduced or used without the consent of EXM

Ce dessin est confidentiel et ne doit pas être reproduit ou utilisé sans le consentement de EXM



No.	Revisions	Date	By/Par



 Tél: (450) 979-4373 Fax: (450) 979-4626 www.exmweb.com		Flatness Aplatissement Max 3.0mm Projection 
Customer Client	Date	
Drawn By Dessiné Par	BoxCad: BoxCad	Date 2022-10-24
Material Matière	14 Ga Cold Rolled A1008 CS Type B (1.7mm)	
Color Couleur	White RAL9003	Finish Fini Smooth
Description 1412BTCU 29.975" x 31" Right Inner Panel		Detail Rev.
Part Number Numéro Pièce	Rev. 0	16 17

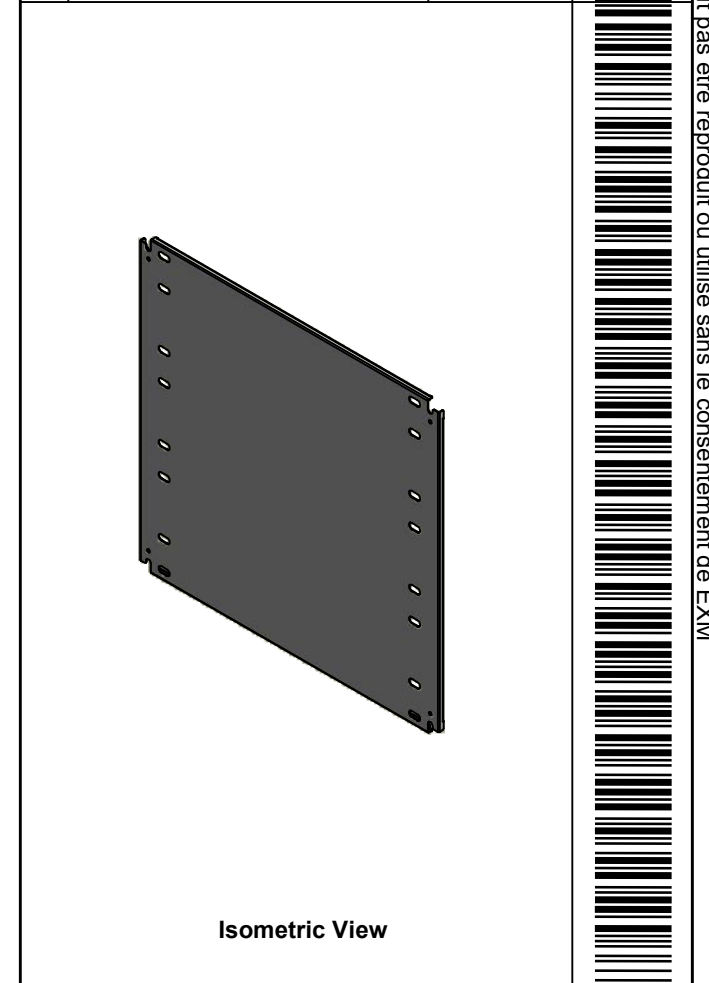
SEE BILL OF MATERIAL ON LAST PAGE


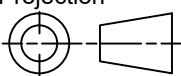
1412BTCU102004DTIP2

This drawing is confidential and must not be reproduced or used without the consent of EXM

Ce dessin est confidentiel et ne doit pas être reproduit ou utilisé sans le consentement de EXM

No.	Revisions	Date	By/Par



 Tél: (450) 979-4373 Fax: (450) 979-4626 www.exmweb.com		Flatness Aplatissement Max 3.0mm Projection 
Customer Client	Date	
Drawn By Dessiné Par	BoxCad: BoxCad	Date 2022-10-24
Material Matière	14 Ga Cold Rolled A1008 CS Type B (1.7mm)	
Color Couleur	White RAL9003	Finish Fini Smooth
Description		Detail Rev.
1412BTCU 29.975" x 31" Right Inner Panel		
Part Number Numéro Pièce	Rev.	17
1412BTCU102004DTIP2	0	17

Qty	Part Number	Rev	Description
1	STK-P-02401S	0	Powder Paint (White / Smooth)
1	1412BTCU102004DTIP2-P	0	1412BTCU 29.975" x 120" Right Inner Panel Part
Parts List			