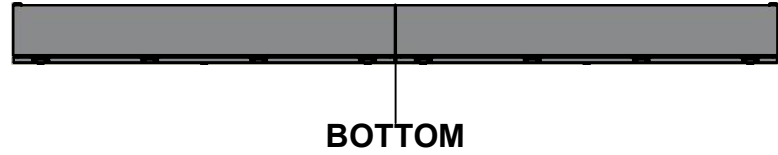
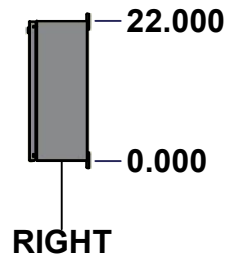
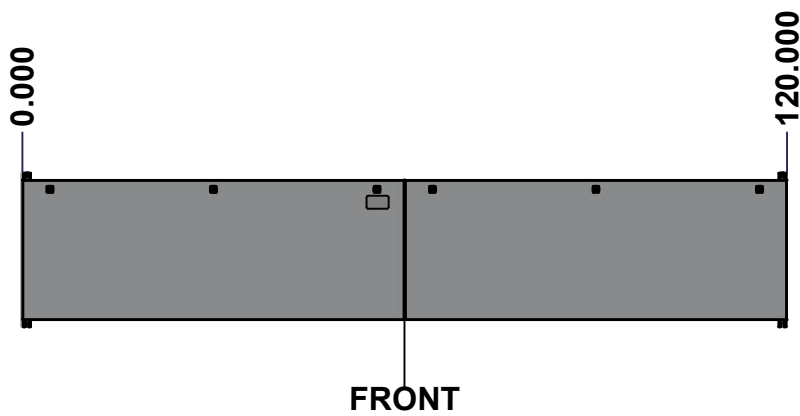
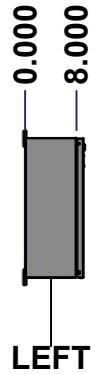
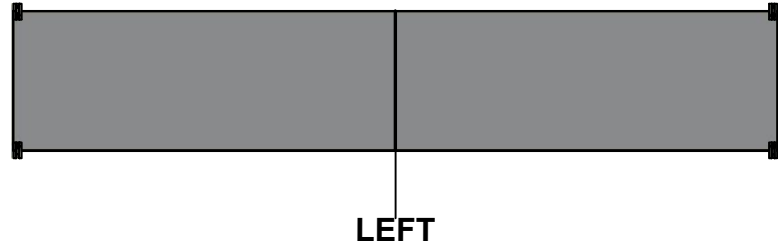
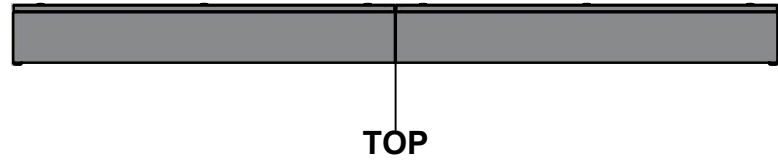
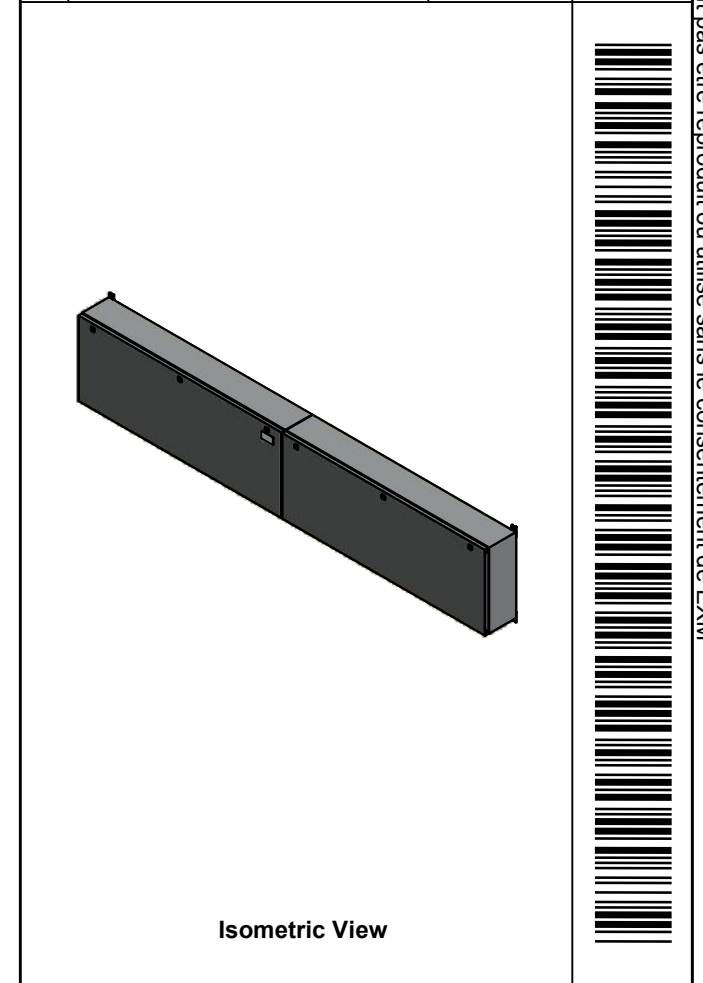



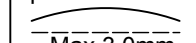
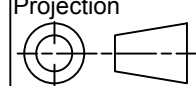
This drawing is confidential and must not be reproduced or used without the consent of EXM

Ce dessin est confidentiel et ne doit pas être reproduit ou utilisé sans le consentement de EXM



No.	Revisions	Date	By/Par



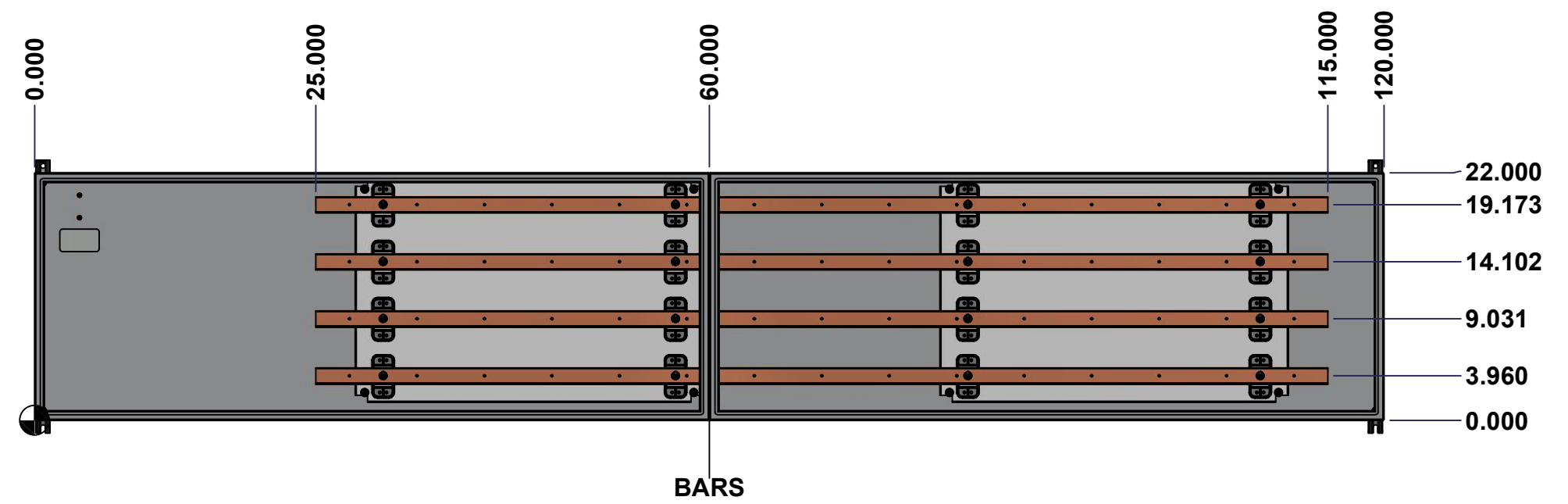
 Tél: (450) 979-4373 Fax: (450) 979-4626 www.exmweb.com		Flatness Aplatissement  Max 3.0mm Projection 
Customer Client	Date	
Drawn By Dessiné Par	BoxCad: BoxCad	Date 19-Oct-22
Material Matière	14 Ga Cold Rolled A1008 CS Type B (1.7mm)	
Color Couleur	Asa-61 Grey	Finish Fini Smooth
Description	Detail Rev.	
1412BTCU 400A - 4Wires x 120" Assembly		
Part Number Numéro Pièce	Rev.	1
1412BTCU10404DT	0	17

SEE BILL OF MATERIAL ON LAST PAGE

This drawing is confidential and must not be reproduced or used without the consent of Eurobox

Ce dessin est confidentiel et ne doit pas être reproduit ou utilisé sans le consentement de Eurobox

STANDARD FEATURES ARE NOT LISTED IN THIS HOLE TABLE



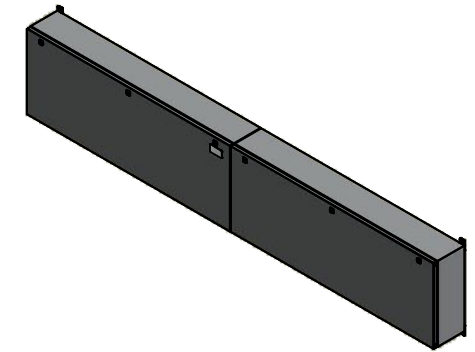
	Description		Status
	1412BTCU 400A - 4Wires x 120" Assembly		(NULL)
Part Number		Rev.	2
Numéro Pièce		0	17
1412BTCU10404DT			

This drawing is confidential and must not be reproduced or used without the consent of EXM

Ce dessin est confidentiel et ne doit pas être reproduit ou utilisé sans le consentement de EXM

NOTE	
ITEM	DESCRIPTION
1	NEMA 4/12 Enclosure
2	C/W Standard ground studs on box and cover
3	W/O Standard door stiffener
4	C/W Special inner panel (Sold separately)
5	C/W Standard inner panel mounting studs

No.	Revisions	Date	By/Par



Isometric View



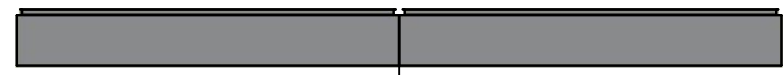
1	885 ESMF1	0	885 ESMF1 Mounting Feet Kit
1	1412BTCU10404DTIP2	0	1412BTCU 19.838" x 31" Right Inner Panel
1	1412BTCU10404DTBAR1-P	0	Rounded Edge Copper Bar 3/16" x 1 1/2"
1	1412BTCU10404DTBAR2-P	0	Rounded Edge Copper Bar 3/16" x 1 1/2"
1	1412BTCU10404DTBAR3-P	0	Rounded Edge Copper Bar 3/16" x 1 1/2"
1	1412BTCU10404DTBAR4-P	0	Rounded Edge Copper Bar 3/16" x 1 1/2"
1	1412BTCU10404DTIP1	0	1412BTCU 19.838" x 31" Left Inner Panel
16	STK-A-67400	0	Buss Bar Insulator Kit
1	STK-K-01800	5	5412 ES Accessory Kit
8	STK-Q-04050-07	7	M6 x 7mm Hexagon Socket Head Machine Screw with Nyseal
24	STK-Q-07310	2	Flange Lock Nut M8
8	STK-Q-07610	8	M8 Plastic Spacer 22.2mm
1	1412BTCU10404DTB	0	1412BTCU 22" x 120" x 8" Body
1	1412BTCU10404DTC	0	1412BTCU 22" x 120" Cover
Qty	Part Number	Rev	Description
Parts List			

PACKING		
ITEM	QTY	DESCRIPTION
Cardboard sleeve	2	Top and Bottom
Cardboard strip	2	Between back of enclosure and inner panel
Plastic bag	1	To protect cover surface and inside gasket
Cardboard corner	4	To reinforced for the plastic strap tightening
Plastic strap - Black	2	To Squeeze 2 cardboard sleeve together
Packaging label	3	White label with PN
Plastic strap- Green	2	To secure the enclosure to the wood pallet
Wood Pallet	1	2" deeper and 3" larger than enclosure size

	Tél: (450) 979-4373 Fax: (450) 979-4626 www.exmweb.com	Flatness Aplatissement Max 3.0mm
	Projection 	Customer Client Date
Drawn By Dessiné Par BoxCad: BoxCad	Date 19-Oct-22	Material Matière 14 Ga Cold Rolled A1008 CS Type B (1.7mm)
Color Couleur Asa-61 Grey	Finish Fini Smooth	Description 1412BTCU 400A - 4Wires x 120" Assembly
Part Number Numéro Pièce 1412BTCU10404DT	Rev. 0	Detail Rev. 3 17

This drawing is confidential and must not be reproduced or used without the consent of EXM

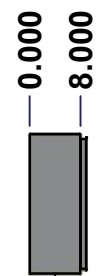
Ce dessin est confidentiel et ne doit pas être reproduit ou utilisé sans le consentement de EXM



TOP



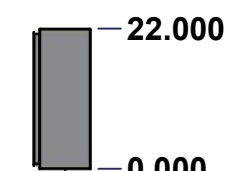
BACK



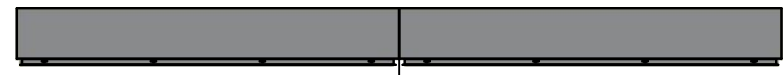
LEFT



FRONT

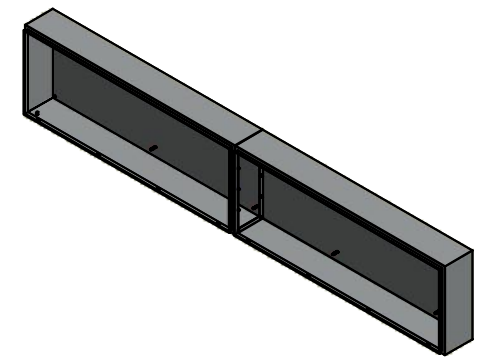


RIGHT



BOTTOM

No.	Revisions	Date	By/Par



Isometric View



Tél: (450) 979-4373
 Fax: (450) 979-4626
www.exmweb.com

Flatness
Aplatissement
Max 3.0mm
Projection

Customer Client	Date
Drawn By / Dessiné Par: BoxCad: BoxCad	Date: 19-Oct-22
Material / Matière: 14 Ga Cold Rolled A1008 CS Type B (1.7mm)	
Color / Couleur: Asa-61 Grey	Finish / Fini: Smooth
Description: 1412BTCU 22" x 120" x 8" Body	Detail Rev.

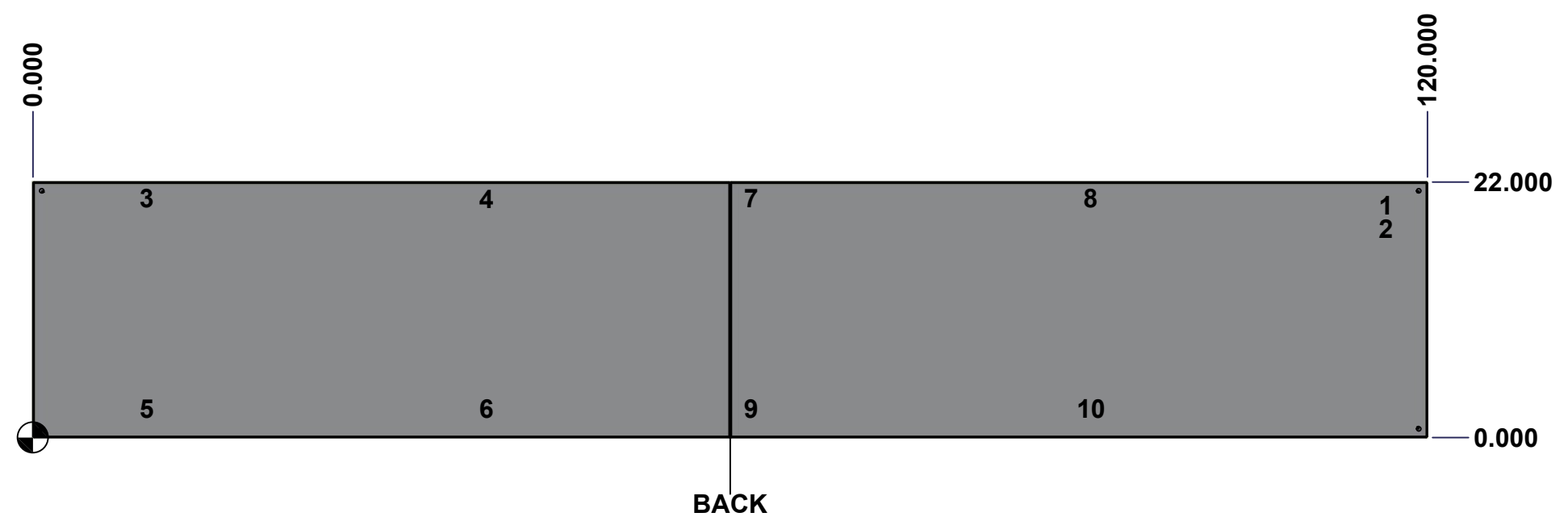
Part Number / Numéro Pièce: 1412BTCU10404DTB	Rev. 0	4
--	--------	---

SEE BILL OF MATERIAL ON LAST PAGE

This drawing is confidential and must not be reproduced or used without the consent of Eurobox

Ce dessin est confidentiel et ne doit pas être reproduit ou utilisé sans le consentement de Eurobox

STANDARD FEATURES ARE NOT LISTED IN THIS HOLE TABLE			
HOLE TABLE - BACK VIEW (CUSTOM FEATURE ONLY)			
CUT-OUT	XDIM	YDIM	DESCRIPTION
1	116.000	20.000	GND STUD M8 x 35mm (Inside)
2	116.000	18.000	GND STUD M8 x 35mm (Inside)
3	9.375	20.563	IP STUD M8 x 35mm (Inside)
4	38.625	20.563	IP STUD M8 x 35mm (Inside)
5	9.375	2.475	IP STUD M8 x 35mm (Inside)
6	38.625	2.475	IP STUD M8 x 35mm (Inside)
7	61.375	20.563	IP STUD M8 x 35mm (Inside)
8	90.625	20.563	IP STUD M8 x 35mm (Inside)
9	61.375	2.475	IP STUD M8 x 35mm (Inside)
10	90.625	2.475	IP STUD M8 x 35mm (Inside)

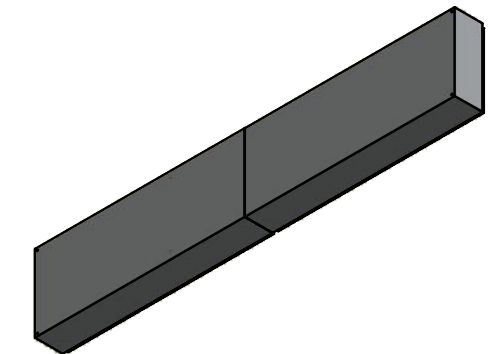


	Description	Status
	1412BTCU 22" x 120" x 8" Body	(NULL)
	Part Number Numéro Pièce	Rev.
	1412BTCU10404DTB	0 / 5
		17

This drawing is confidential and must not be reproduced or used without the consent of EXM


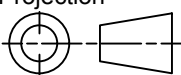
Ce dessin est confidentiel et ne doit pas être reproduit ou utilisé sans le consentement de EXM

No.	Revisions	Date	By/Par



Isometric View



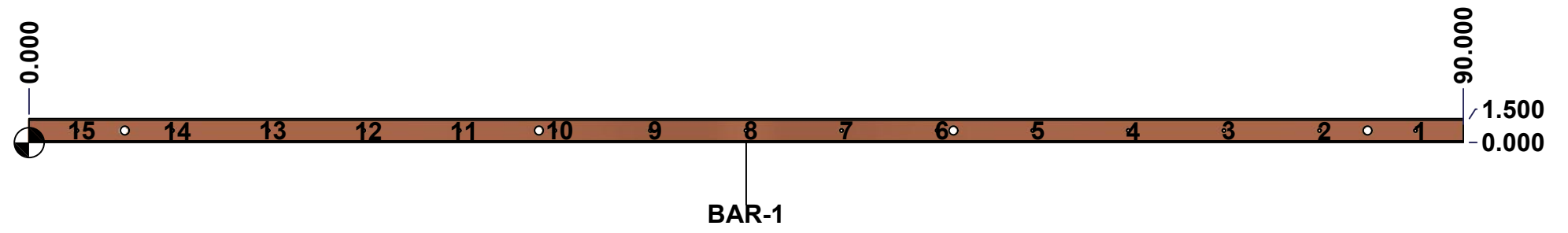
 Tél: (450) 979-4373 Fax: (450) 979-4626 www.exmweb.com	Flatness Aplatissement	Max 3.0mm
	Projection	
Customer Client	Date	
Drawn By Dessiné Par	BoxCad: BoxCad	Date 19-Oct-22
Material Matière	14 Ga Cold Rolled A1008 CS Type B (1.7mm)	
Color Couleur	Asa-61 Grey	Finish Fini Smooth
Description	Detail Rev.	
1412BTCU 22" x 120" x 8" Body		
Part Number Numéro Pièce	Rev. 0	6 / 17
1412BTCU10404DTB		

Qty	Part Number	Rev	Description
1	STK-P-02400S	0	Powder Paint (Asa-61 Grey / Smooth)
1	1412BTCU10404DTB-P	0	1412BTCU 22" x 120" x 8" Left Body Part
1	1412BTCU10404DTE-P	0	1412BTCU 22" x 120" x 8" Right Body Part
1	STK-G-00701	0	1" x 1/4" Self-Adhesive Neoprene Gasket
10	STK-Q-00260	1	M6 x 13mm Carriage Bolt
10	STK-Q-07220	1	M6 Nylon Insert Lock Nut
10	STK-Q-16005	1	Stud M8 x 35 (No Paint Cap Required)
2	STK-Q-16080	0	Ground Stud M6 x 16mm
1	STK-S-00100	0	3.5" x 2" Silver Milar Flexcon Sticker
Parts List			

This drawing is confidential and must not be reproduced or used without the consent of Eurobex

Ce dessin est confidentiel et ne doit pas être reproduit ou utilisé sans le consentement de Eurobex

STANDARD FEATURES ARE NOT LISTED IN THIS HOLE TABLE			
HOLE TABLE - FRONT VIEW (CUSTOM FEATURE ONLY)			
CUT-OUT	XDIM	YDIM	DESCRIPTION
1	87.000	0.750	RND Ø0.201 THREAD 1/4-20 UNC
2	81.000	0.750	RND Ø0.201 THREAD 1/4-20 UNC
3	75.000	0.750	RND Ø0.201 THREAD 1/4-20 UNC
4	69.000	0.750	RND Ø0.201 THREAD 1/4-20 UNC
5	63.000	0.750	RND Ø0.201 THREAD 1/4-20 UNC
6	57.000	0.750	RND Ø0.201 THREAD 1/4-20 UNC
7	51.000	0.750	RND Ø0.201 THREAD 1/4-20 UNC
8	45.000	0.750	RND Ø0.201 THREAD 1/4-20 UNC
9	39.000	0.750	RND Ø0.201 THREAD 1/4-20 UNC
10	33.000	0.750	RND Ø0.201 THREAD 1/4-20 UNC
11	27.000	0.750	RND Ø0.201 THREAD 1/4-20 UNC
12	21.000	0.750	RND Ø0.201 THREAD 1/4-20 UNC
13	15.000	0.750	RND Ø0.201 THREAD 1/4-20 UNC
14	9.000	0.750	RND Ø0.201 THREAD 1/4-20 UNC
15	3.000	0.750	RND Ø0.201 THREAD 1/4-20 UNC

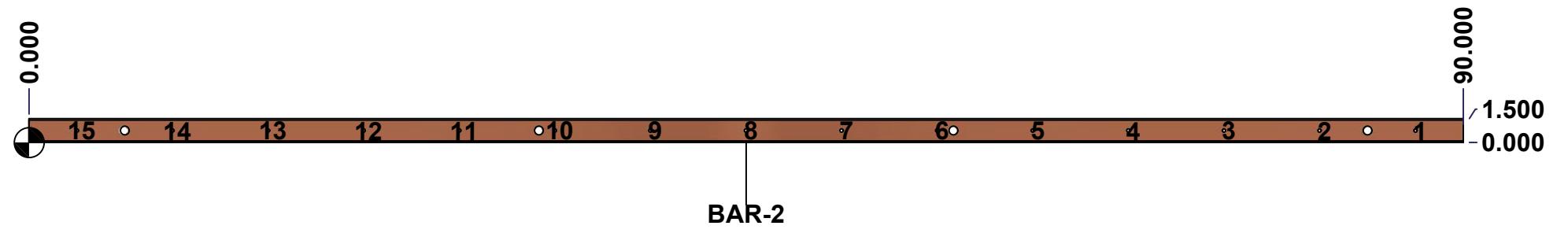


	Description	Status	
	Rounded Edge Copper Bar 3/16" x 1 1/2"	(NULL)	
	Part Number Numéro Pièce	Rev.	7
	1412BTCU10404DTBAR1-P	0	17

This drawing is confidential and must not be reproduced or used without the consent of Eurobex

Ce dessin est confidentiel et ne doit pas être reproduit ou utilisé sans le consentement de Eurobex

STANDARD FEATURES ARE NOT LISTED IN THIS HOLE TABLE			
HOLE TABLE - FRONT VIEW (CUSTOM FEATURE ONLY)			
CUT-OUT	XDIM	YDIM	DESCRIPTION
1	87.000	0.750	RND Ø0.201 THREAD 1/4-20 UNC
2	81.000	0.750	RND Ø0.201 THREAD 1/4-20 UNC
3	75.000	0.750	RND Ø0.201 THREAD 1/4-20 UNC
4	69.000	0.750	RND Ø0.201 THREAD 1/4-20 UNC
5	63.000	0.750	RND Ø0.201 THREAD 1/4-20 UNC
6	57.000	0.750	RND Ø0.201 THREAD 1/4-20 UNC
7	51.000	0.750	RND Ø0.201 THREAD 1/4-20 UNC
8	45.000	0.750	RND Ø0.201 THREAD 1/4-20 UNC
9	39.000	0.750	RND Ø0.201 THREAD 1/4-20 UNC
10	33.000	0.750	RND Ø0.201 THREAD 1/4-20 UNC
11	27.000	0.750	RND Ø0.201 THREAD 1/4-20 UNC
12	21.000	0.750	RND Ø0.201 THREAD 1/4-20 UNC
13	15.000	0.750	RND Ø0.201 THREAD 1/4-20 UNC
14	9.000	0.750	RND Ø0.201 THREAD 1/4-20 UNC
15	3.000	0.750	RND Ø0.201 THREAD 1/4-20 UNC

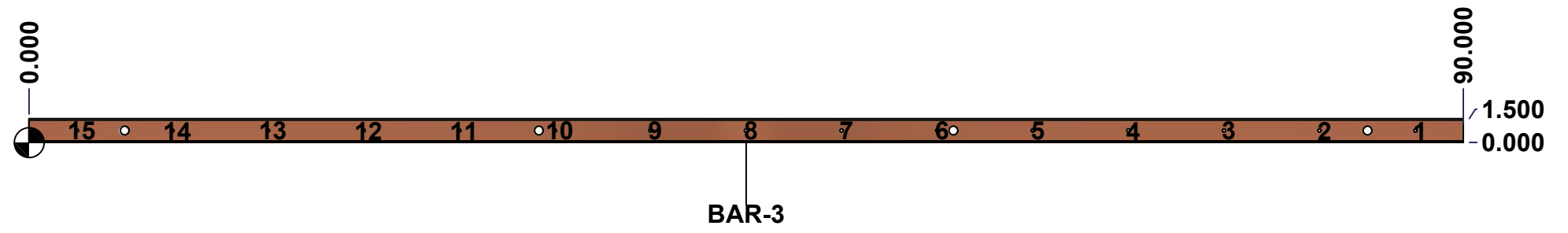


	Description	Status
	Rounded Edge Copper Bar 3/16" x 1 1/2"	(NULL)
	Part Number	Rev.
	1412BTCU10404DTBAR2-P	8
		0
		17

This drawing is confidential and must not be reproduced or used without the consent of Eurobex

Ce dessin est confidentiel et ne doit pas être reproduit ou utilisé sans le consentement de Eurobex

STANDARD FEATURES ARE NOT LISTED IN THIS HOLE TABLE			
HOLE TABLE - FRONT VIEW (CUSTOM FEATURE ONLY)			
CUT-OUT	XDIM	YDIM	DESCRIPTION
1	87.000	0.750	RND Ø0.201 THREAD 1/4-20 UNC
2	81.000	0.750	RND Ø0.201 THREAD 1/4-20 UNC
3	75.000	0.750	RND Ø0.201 THREAD 1/4-20 UNC
4	69.000	0.750	RND Ø0.201 THREAD 1/4-20 UNC
5	63.000	0.750	RND Ø0.201 THREAD 1/4-20 UNC
6	57.000	0.750	RND Ø0.201 THREAD 1/4-20 UNC
7	51.000	0.750	RND Ø0.201 THREAD 1/4-20 UNC
8	45.000	0.750	RND Ø0.201 THREAD 1/4-20 UNC
9	39.000	0.750	RND Ø0.201 THREAD 1/4-20 UNC
10	33.000	0.750	RND Ø0.201 THREAD 1/4-20 UNC
11	27.000	0.750	RND Ø0.201 THREAD 1/4-20 UNC
12	21.000	0.750	RND Ø0.201 THREAD 1/4-20 UNC
13	15.000	0.750	RND Ø0.201 THREAD 1/4-20 UNC
14	9.000	0.750	RND Ø0.201 THREAD 1/4-20 UNC
15	3.000	0.750	RND Ø0.201 THREAD 1/4-20 UNC

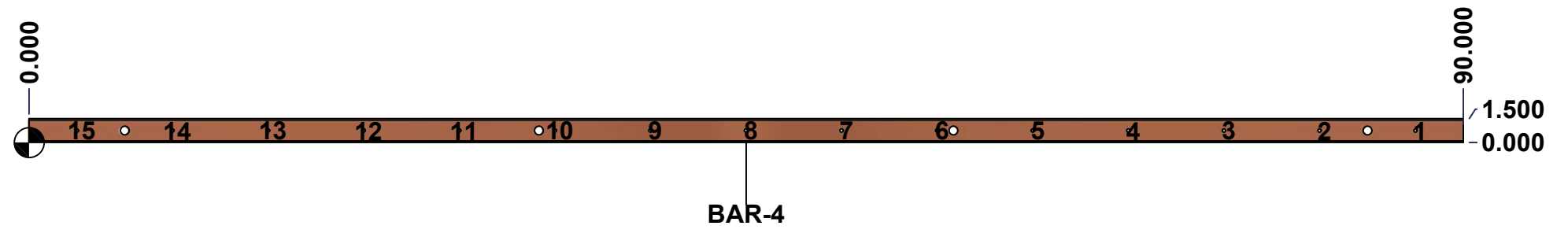


	Description	Status
	Rounded Edge Copper Bar 3/16" x 1 1/2"	(NULL)
	Part Number	Rev.
	1412BTCU10404DTBAR3-P	9
		0
		17

This drawing is confidential and must not be reproduced or used without the consent of Eurobex

Ce dessin est confidentiel et ne doit pas être reproduit ou utilisé sans le consentement de Eurobex

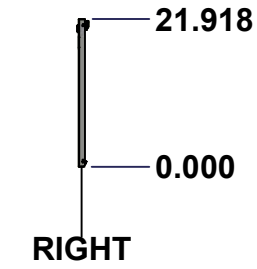
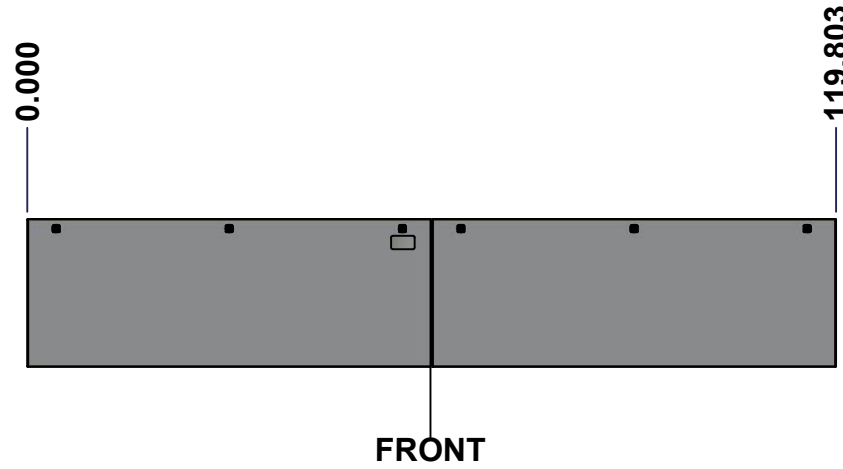
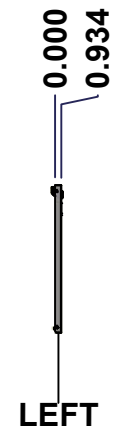
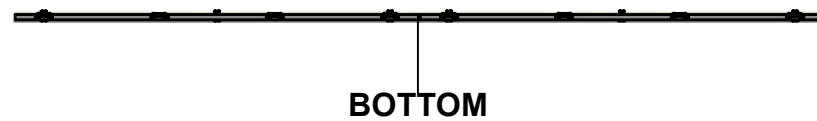
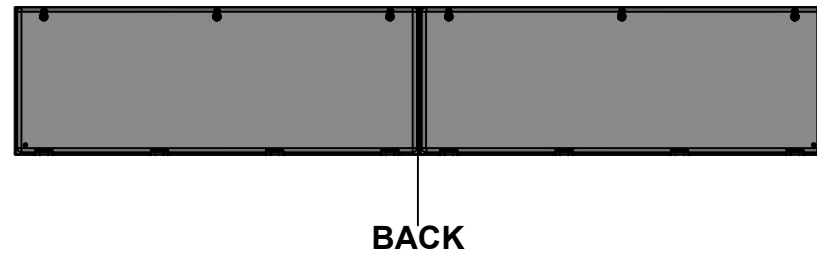
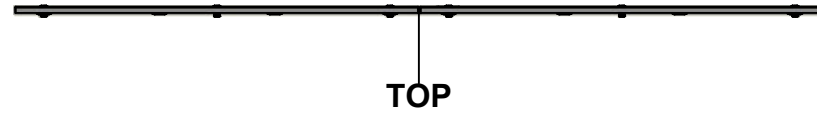
STANDARD FEATURES ARE NOT LISTED IN THIS HOLE TABLE			
HOLE TABLE - FRONT VIEW (CUSTOM FEATURE ONLY)			
CUT-OUT	XDIM	YDIM	DESCRIPTION
1	87.000	0.750	RND Ø0.201 THREAD 1/4-20 UNC
2	81.000	0.750	RND Ø0.201 THREAD 1/4-20 UNC
3	75.000	0.750	RND Ø0.201 THREAD 1/4-20 UNC
4	69.000	0.750	RND Ø0.201 THREAD 1/4-20 UNC
5	63.000	0.750	RND Ø0.201 THREAD 1/4-20 UNC
6	57.000	0.750	RND Ø0.201 THREAD 1/4-20 UNC
7	51.000	0.750	RND Ø0.201 THREAD 1/4-20 UNC
8	45.000	0.750	RND Ø0.201 THREAD 1/4-20 UNC
9	39.000	0.750	RND Ø0.201 THREAD 1/4-20 UNC
10	33.000	0.750	RND Ø0.201 THREAD 1/4-20 UNC
11	27.000	0.750	RND Ø0.201 THREAD 1/4-20 UNC
12	21.000	0.750	RND Ø0.201 THREAD 1/4-20 UNC
13	15.000	0.750	RND Ø0.201 THREAD 1/4-20 UNC
14	9.000	0.750	RND Ø0.201 THREAD 1/4-20 UNC
15	3.000	0.750	RND Ø0.201 THREAD 1/4-20 UNC



	Description	Status	
	Rounded Edge Copper Bar 3/16" x 1 1/2"	(NULL)	
	Part Number Numéro Pièce	Rev.	10
	1412BTCU10404DTBAR4-P	0	17

This drawing is confidential and must not be reproduced or used without the consent of EXM

Ce dessin est confidentiel et ne doit pas être reproduit ou utilisé sans le consentement de EXM



No.	Revisions	Date	By/Par

Isometric View

Tél: (450) 979-4373 Fax: (450) 979-4626 www.exmweb.com		Flatness Aplatissement
		Max 3.0mm
Projection		Date 19-Oct-22
Customer Client	BoxCad: BoxCad	Date
Material Matière	14 Ga Cold Rolled A1008 CS Type B (1.7mm)	
Color Couleur	Asa-61 Grey	Finish Fini
Description		Detail Rev.
1412BTCU 22" x 120" Cover		
Part Number Numéro Pièce	Rev.	11
1412BTCU10404DTC	0	17

SEE BILL OF MATERIAL ON LAST PAGE

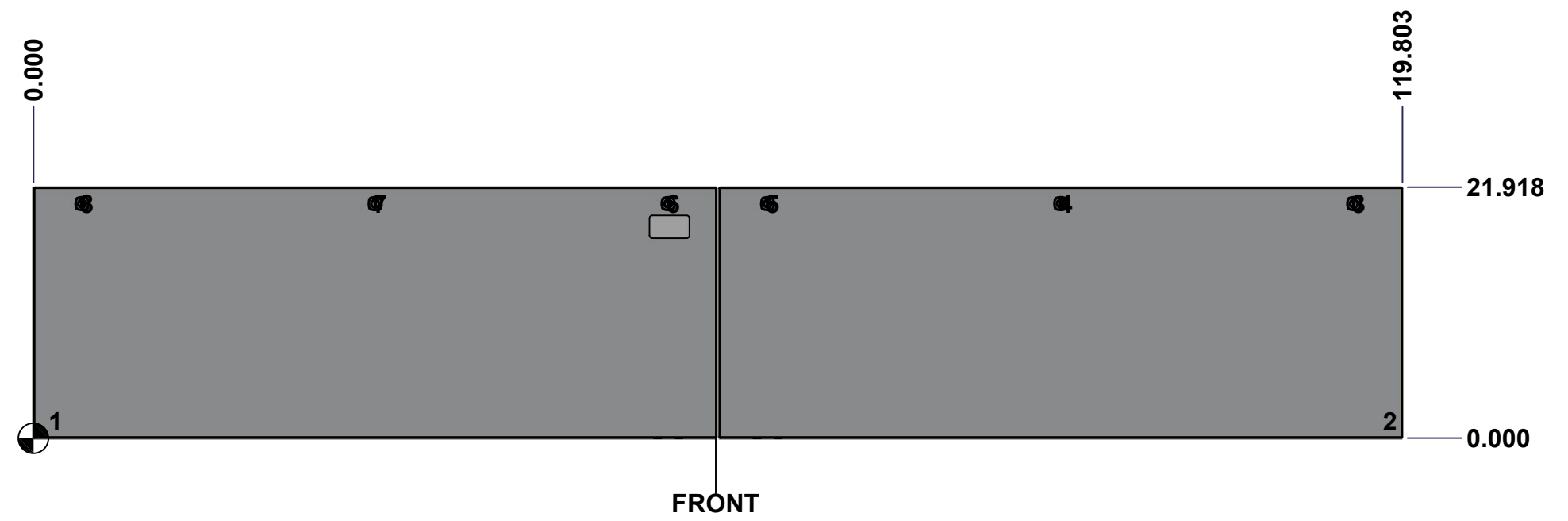
This drawing is confidential and must not be reproduced or used without the consent of Eurobox

Ce dessin est confidentiel et ne doit pas être reproduit ou utilisé sans le consentement de Eurobox

STANDARD FEATURES ARE NOT LISTED IN THIS HOLE TABLE

HOLE TABLE - FRONT VIEW (CUSTOM FEATURE ONLY)

CUT-OUT	XDIM	YDIM	DESCRIPTION
1	1.500	1.486	GND STUD M6 x 16mm (Inside)
2	118.303	1.486	GND STUD M6 x 16mm (Inside)
3	115.553	20.494	LOCK 880 SCQ4-SL @ 90.0°
4	89.902	20.494	LOCK 880 SCQ4-SL @ 90.0°
5	64.250	20.494	LOCK 880 SCQ4-SL @ 90.0°
6	55.553	20.494	LOCK 880 SCQ4-SL @ 90.0°
7	29.902	20.494	LOCK 880 SCQ4-SL @ 90.0°
8	4.250	20.494	LOCK 880 SCQ4-SL @ 90.0°

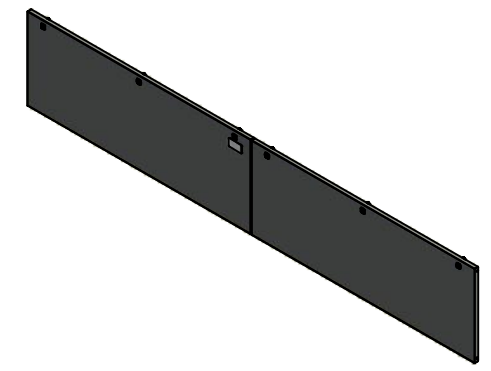


	Description	Status	
	1412BTCU 22" x 120" Cover	(NULL)	
	Part Number Numéro Pièce	Rev.	12
	1412BTCU10404DTC	0	17

This drawing is confidential and must not be reproduced or used without the consent of EXM


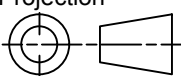
Ce dessin est confidentiel et ne doit pas être reproduit ou utilisé sans le consentement de EXM

No.	Revisions	Date	By/Par



Isometric View

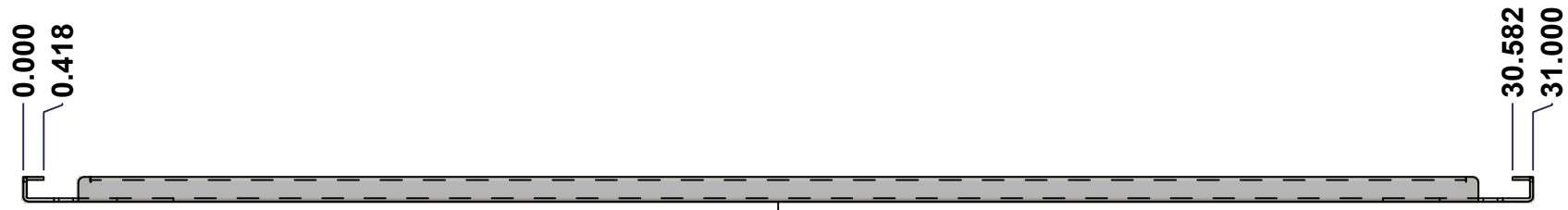


 Tél: (450) 979-4373 Fax: (450) 979-4626 www.exmweb.com	Flatness Aplatissement	Max 3.0mm
	Projection	
Customer Client	Date	
Drawn By Dessiné Par	BoxCad: BoxCad	Date 19-Oct-22
Material Matière	14 Ga Cold Rolled A1008 CS Type B (1.7mm)	
Color Couleur	Asa-61 Grey	Finish Fini Smooth
Description	Detail Rev.	
1412BTCU 22" x 120" Cover		
Part Number Numéro Pièce	Rev. 0	13 / 17
1412BTCU10404DTC		

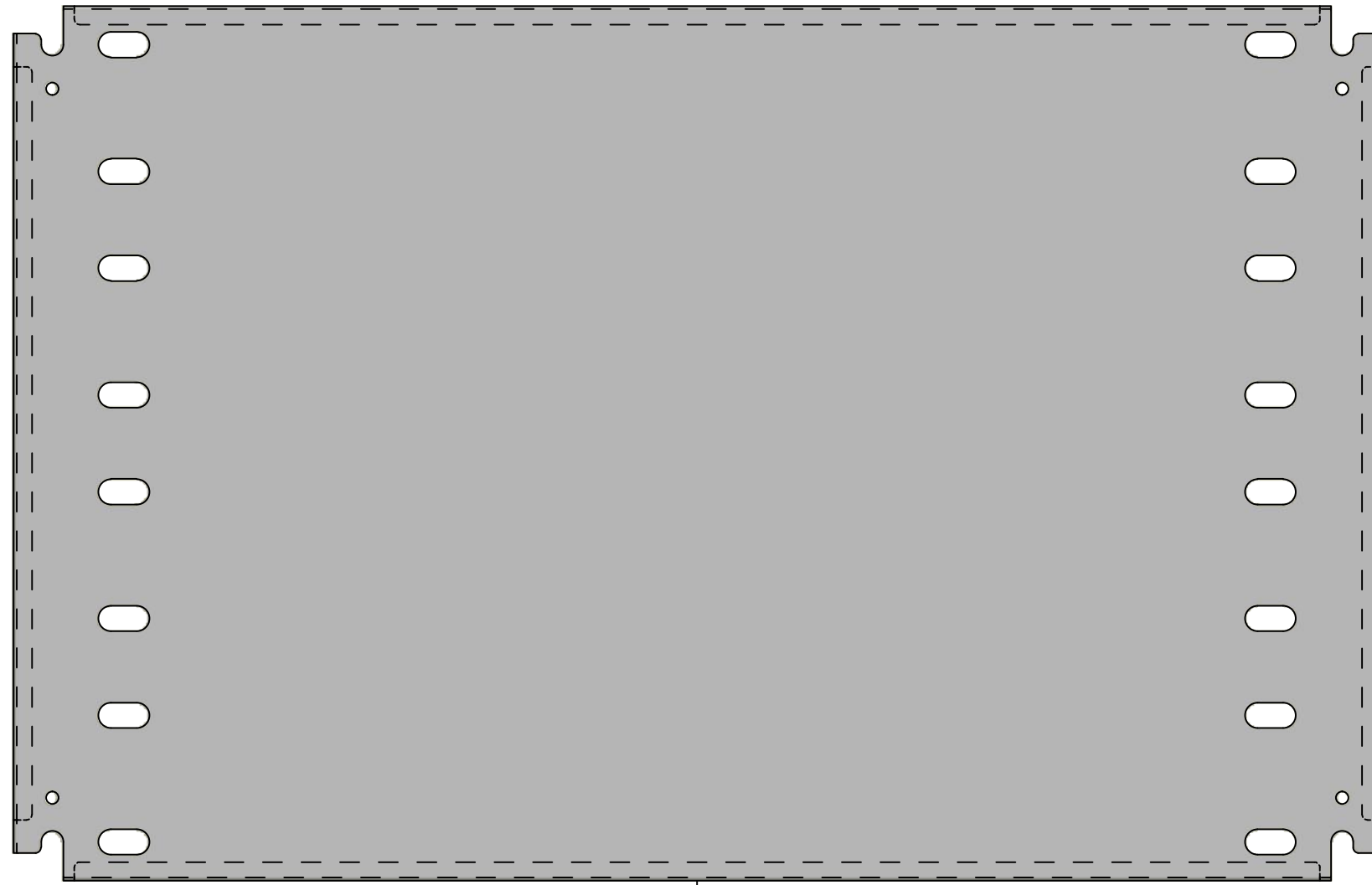
Qty	Part Name	Rev	Description
2	1412BTCU10404DTG	0	1412BTCU 22" x 120" Cover Gasket
1	STK-P-02400S	0	Powder Paint (Asa-61 Grey / Smooth)
8	STK-K-09800	10	5412 ES Hinge with 2 Captive Hinge Pins
2	STK-Q-16080	0	Ground Stud M6 x 16mm
1	STK-S-00100	0	3.5" x 2" Silver Milar Flexcon Sticker
1	1412BTCU10404DTC-P	0	1412BTCU 22" x 60" Left Cover Part
1	1412BTCU10404DTF-P	0	1412BTCU 22" x 120" Right Cover Part
6	880 SCQ4-SL	6	5412 ES 1/4 Turn Lock
Parts List			

This drawing is confidential and must not be reproduced or used without the consent of EXM

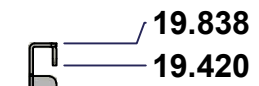
Ce dessin est confidentiel et ne doit pas être reproduit ou utilisé sans le consentement de EXM



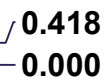
TOP



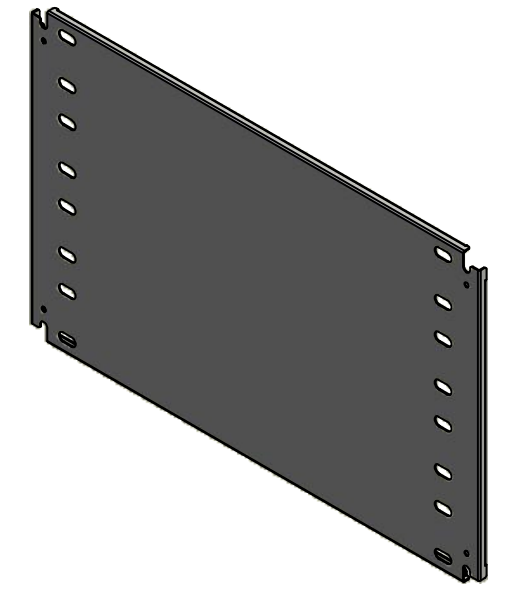
FRONT



RIGHT



No.	Revisions	Date	By/Par



Isometric View

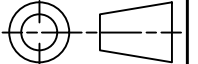


Tél: (450) 979-4373
 Fax: (450) 979-4626
www.exmweb.com

Flatness
Aplatissement

Max 3.0mm

Projection



Customer Client	Date
Drawn By / Dessiné Par: BoxCad: BoxCad	Date: 19-Oct-22
Material / Matière: 14 Ga Cold Rolled A1008 CS Type B (1.7mm)	
Color / Couleur: White RAL9003	Finish / Fini: Smooth

Description: 1412BTCU 19.838" x 31" Left Inner Panel		Detail Rev.
Part Number / Numéro Pièce: 1412BTCU10404DTIP1	Rev.: 0	14

SEE BILL OF MATERIAL ON LAST PAGE

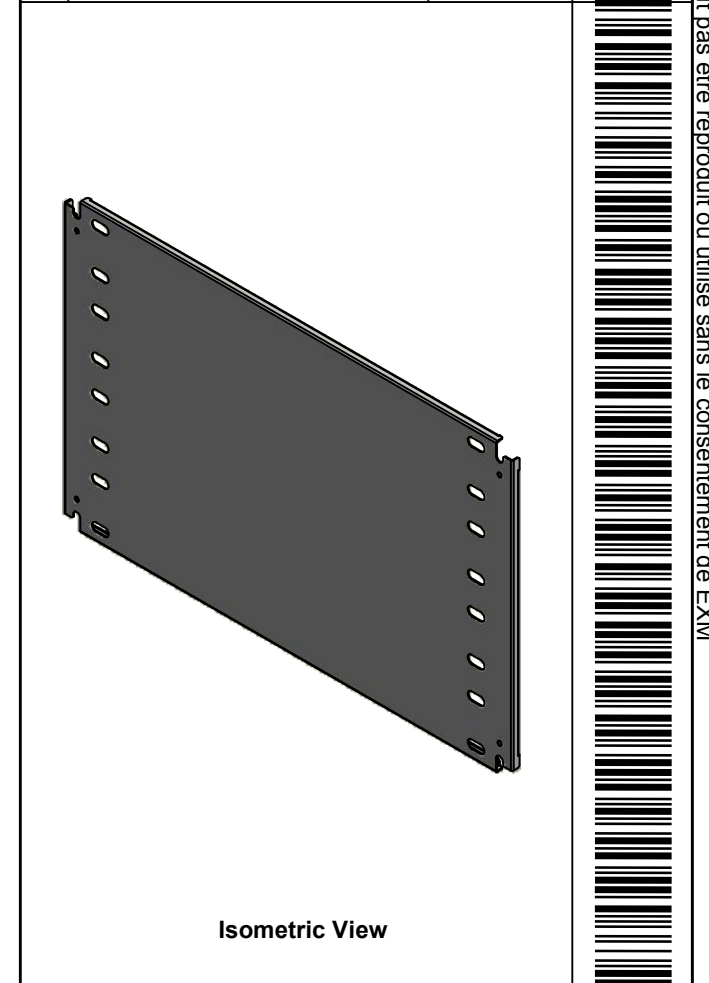
1412BTCU10404DTIP1


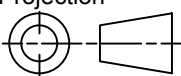
Rev.	14
	17

This drawing is confidential and must not be reproduced or used without the consent of EXM

Ce dessin est confidentiel et ne doit pas être reproduit ou utilisé sans le consentement de EXM

No.	Revisions	Date	By/Par

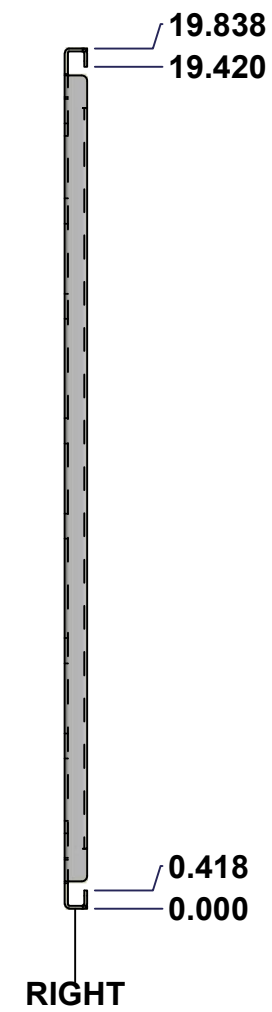
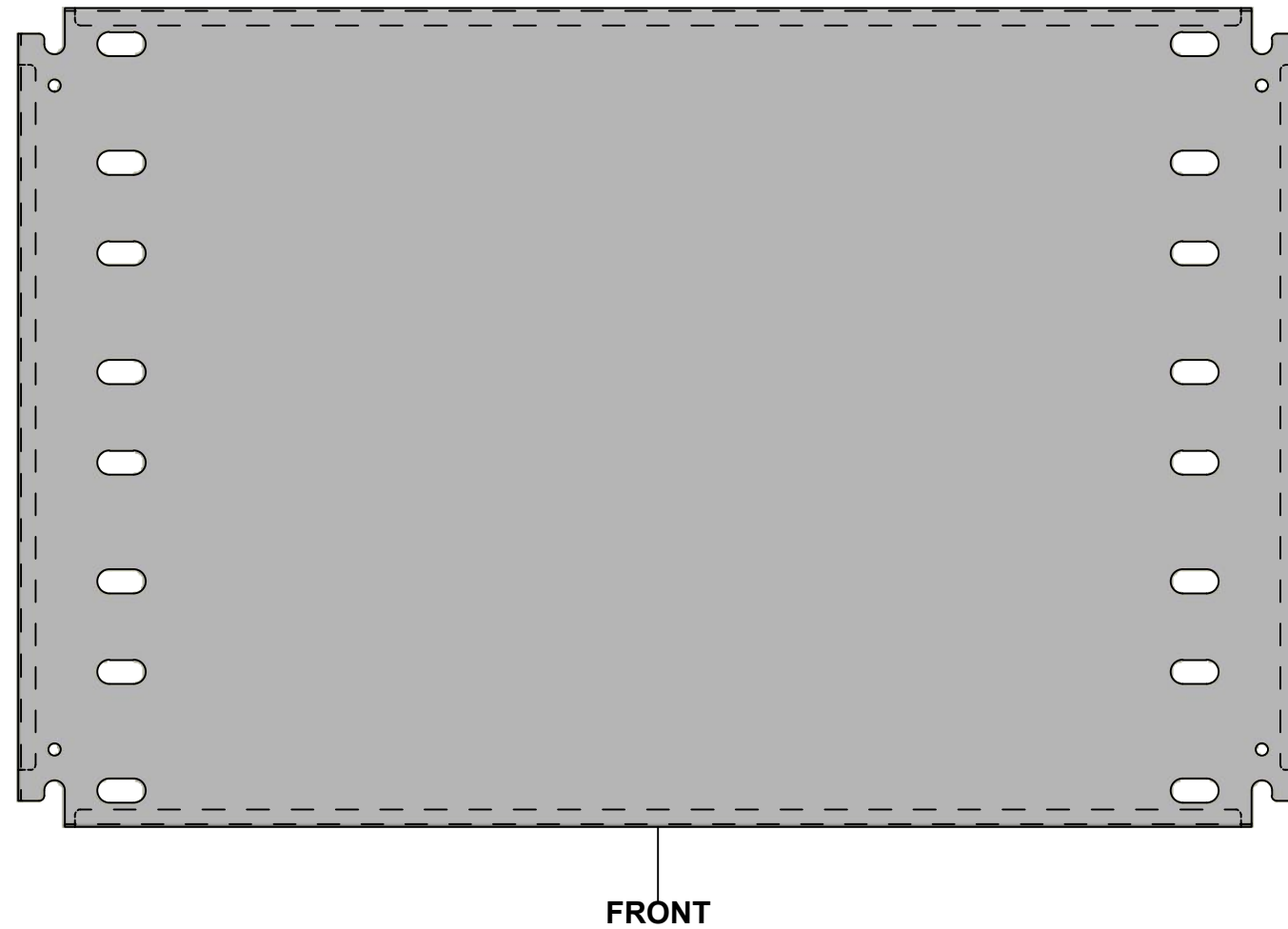
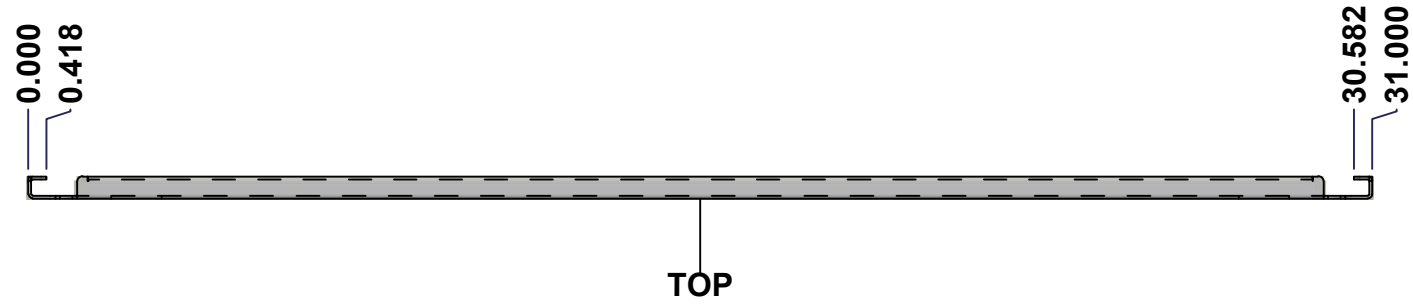


 Tél: (450) 979-4373 Fax: (450) 979-4626 www.exmweb.com		Flatness Aplatissement Max 3.0mm
Customer Client		Projection 
Drawn By / Dessiné Par: BoxCad: BoxCad		Date: 19-Oct-22
Material / Matière: 14 Ga Cold Rolled A1008 CS Type B (1.7mm)		
Color / Couleur: White RAL9003	Finish / Fini: Smooth	
Description: 1412BTCU 19.838" x 31" Left Inner Panel		Detail Rev.
Part Number / Numéro Pièce: 1412BTCU10404DTIP1		Rev. 15 0

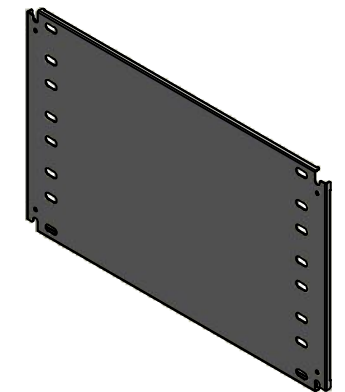
Qty	Part Number	Rev	Description
1	STK-P-02401S	0	Powder Paint (White / Smooth)
1	1412BTCU10404DTIP1-P	0	1412BTCU 19.838" x 120" Left Inner Panel Part
Parts List			

This drawing is confidential and must not be reproduced or used without the consent of EXM

Ce dessin est confidentiel et ne doit pas être reproduit ou utilisé sans le consentement de EXM


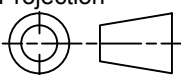


No.	Revisions	Date	By/Par



Isometric View



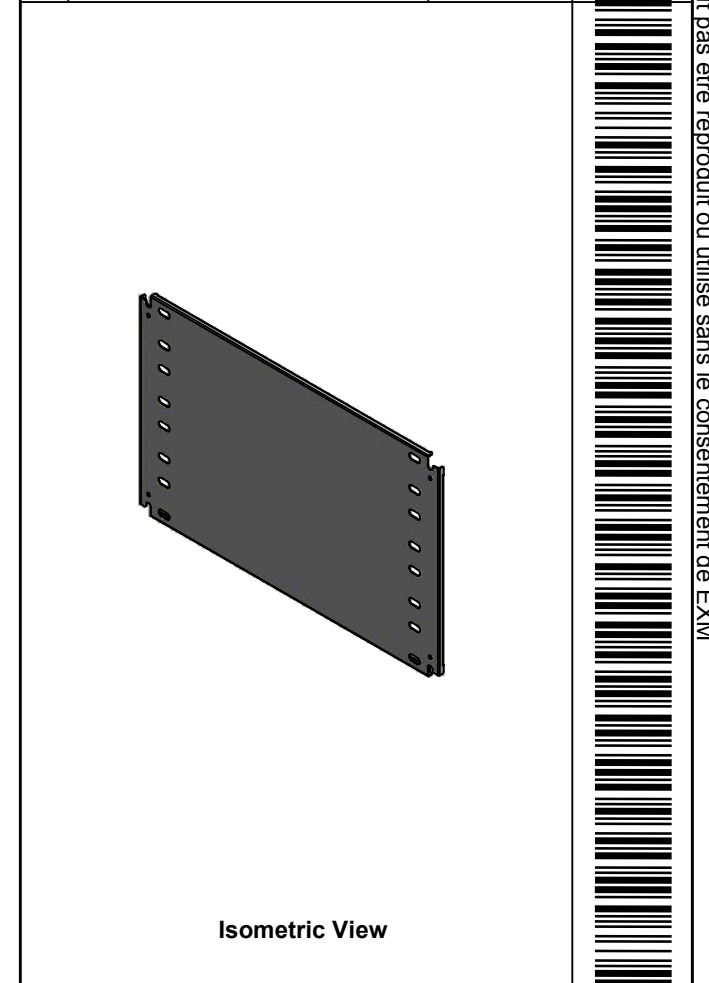
 Tél: (450) 979-4373 Fax: (450) 979-4626 www.exmweb.com	Flatness Aplatissement Max 3.0mm
	Projection 
Customer Client	Date
Drawn By Dessiné Par BoxCad: BoxCad	Date 19-Oct-22
Material Matière 14 Ga Cold Rolled A1008 CS Type B (1.7mm)	
Color Couleur White RAL9003	Finish Fini Smooth
Description 1412BTCU 19.838" x 31" Right Inner Panel	Detail Rev.
Part Number Numéro Pièce 1412BTCU10404DTIP2	Rev. 0
	16 17


SEE BILL OF MATERIAL ON LAST PAGE

This drawing is confidential and must not be reproduced or used without the consent of EXM

Ce dessin est confidentiel et ne doit pas être reproduit ou utilisé sans le consentement de EXM

No.	Revisions	Date	By/Par



 Tél: (450) 979-4373 Fax: (450) 979-4626 www.exmweb.com		Flatness Aplatissement Max 3.0mm
Customer Client		Date
Drawn By Dessiné Par BoxCad: BoxCad		Date 19-Oct-22
Material Matière 14 Ga Cold Rolled A1008 CS Type B (1.7mm)		
Color Couleur White RAL9003		Finish Fini Smooth
Description 1412BTCU 19.838" x 31" Right Inner Panel		Detail Rev.
Part Number Numéro Pièce 1412BTCU10404DTIP2		Rev. 17 0

Qty	Part Number	Rev	Description
1	STK-P-02401S	0	Powder Paint (White / Smooth)
1	1412BTCU10404DTIP2-P	0	1412BTCU 19.838" x 120" Right Inner Panel Part
Parts List			