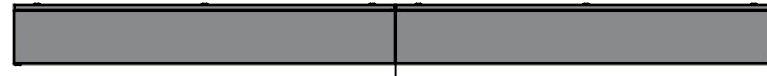


This drawing is confidential and must not be reproduced or used without the consent of EXM

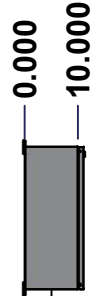
Ce dessin est confidentiel et ne doit pas être reproduit ou utilisé sans le consentement de EXM



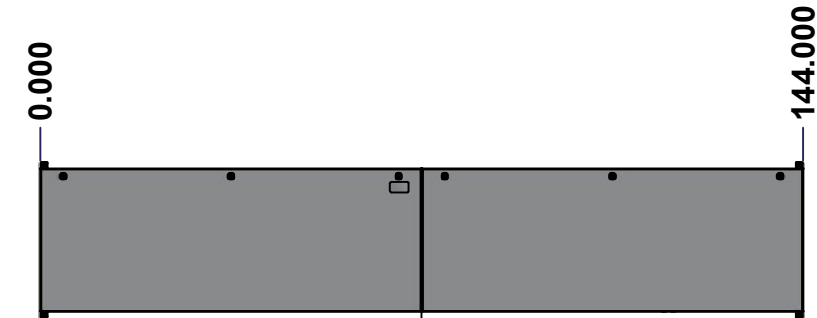
TOP



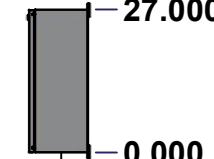
LEFT



LEFT



FRONT

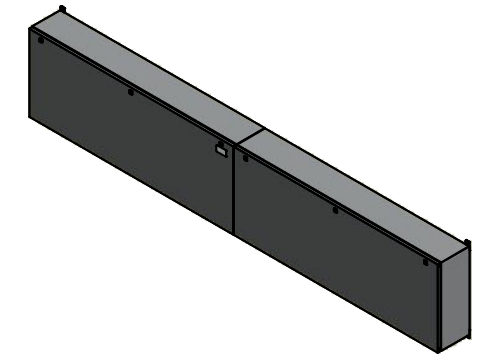


RIGHT



BOTTOM

| No. | Revisions | Date | By/Par |
|-----|-----------|------|--------|
| | | | |
| | | | |
| | | | |
| | | | |



Isometric View



Tél: (450) 979-4373
 Fax: (450) 979-4626
www.exmweb.com

Flatness
Aplatissement
Max 3.0mm
Projection

| | |
|---|-----------------------|
| Customer Client | Date |
| Drawn By / Dessiné Par: BoxCad: BoxCad | Date: 2022-10-24 |
| Material / Matière: 14 Ga Cold Rolled A1008 CS Type B (1.7mm) | |
| Color / Couleur: Asa-61 Grey | Finish / Fini: Smooth |
| Description: 1412BTCU 1600A - 3Wires x 144" Assembly | Detail Rev. |

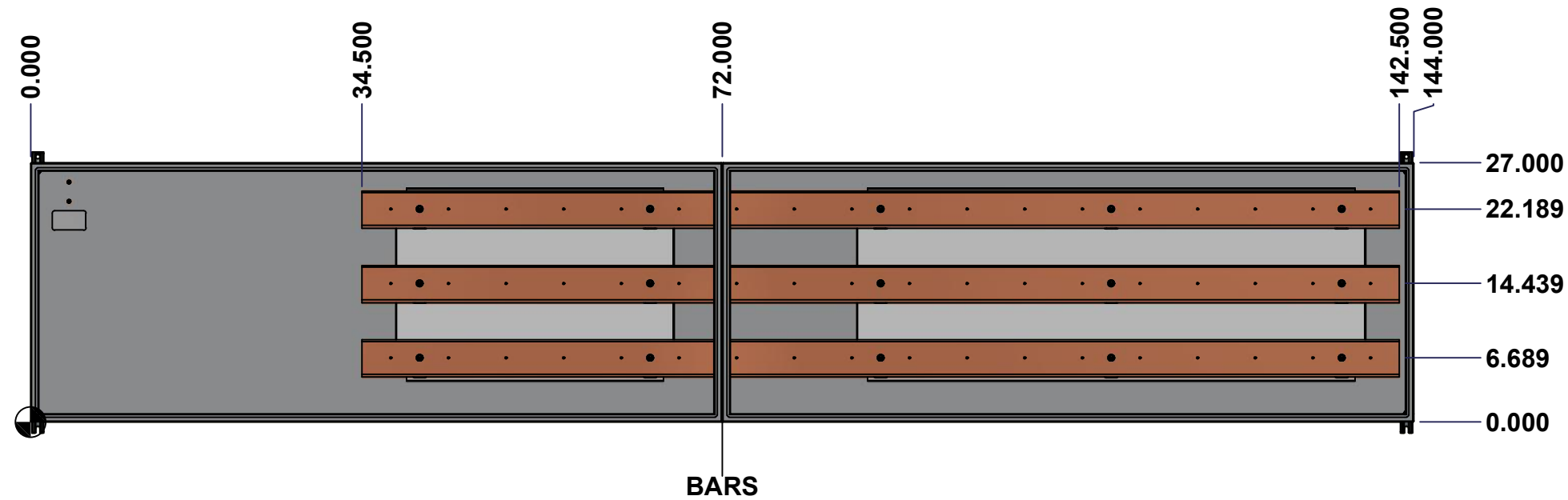
| | | |
|---|---------------|--------|
| Part Number / Numéro Pièce: 1412BTCU121603DT | Rev. 0 | 1 / 16 |
|---|---------------|--------|

SEE BILL OF MATERIAL ON LAST PAGE

This drawing is confidential and must not be reproduced or used without the consent of Eurobex

STANDARD FEATURES ARE NOT LISTED IN THIS HOLE TABLE

Ce dessin est confidentiel et ne doit pas être reproduit ou utilisé sans le consentement de Eurobex



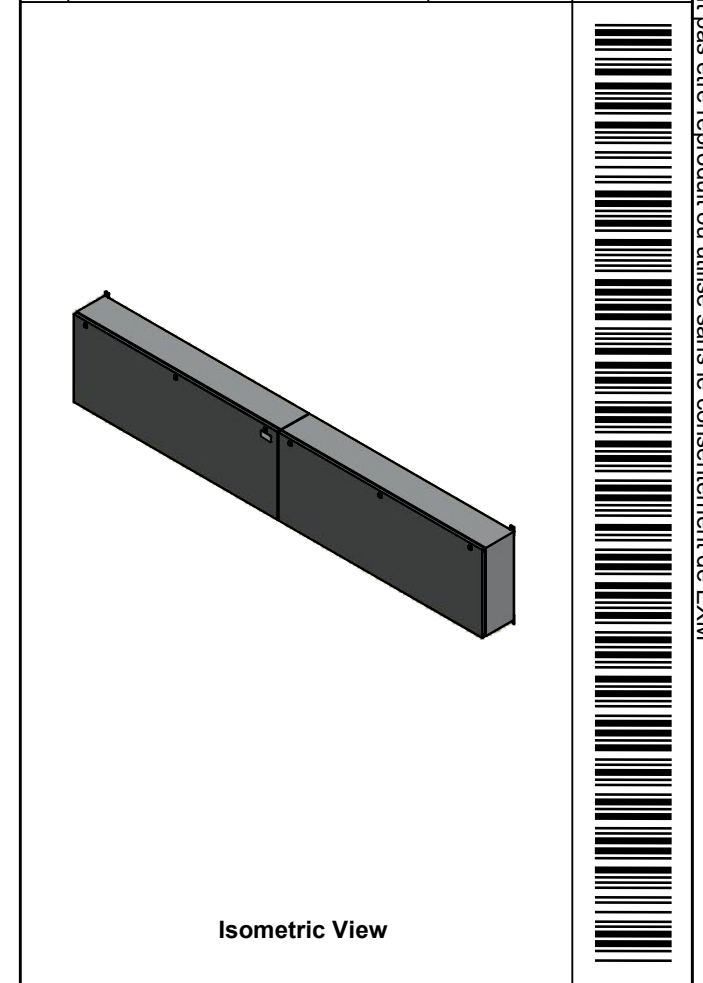
| | | | | |
|--|---|--|------------------|---------|
| | Description 1412BTCU 1600A - 3Wires x 144" Assembly | | Status (NULL) | |
| | Part Number Numéro Pièce 1412BTCU121603DT | | Rev. 0 | 2 16 |

This drawing is confidential and must not be reproduced or used without the consent of EXM

Ce dessin est confidentiel et ne doit pas être reproduit ou utilisé sans le consentement de EXM

| NOTE | |
|------|--|
| ITEM | DESCRIPTION |
| 1 | NEMA 4/12 Enclosure |
| 2 | C/W Standard ground studs on box and cover |
| 3 | W/O Standard door stiffener |
| 4 | C/W Special inner panel (Sold separately) |
| 5 | C/W Standard inner panel mounting studs |

| No. | Revisions | Date | By/Par |
|-----|-----------|------|--------|
| | | | |
| | | | |
| | | | |
| | | | |
| | | | |
| | | | |



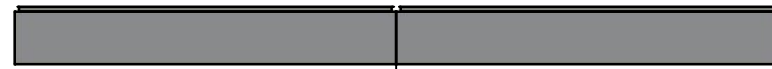
| PACKING | | |
|-----------------------|-----|--|
| ITEM | QTY | DESCRIPTION |
| Cardboard sleeve | 2 | Top and Bottom |
| Cardboard strip | 2 | Between back of enclosure and inner panel |
| Plastic bag | 1 | To protect cover surface and inside gasket |
| Cardboard corner | 4 | To reinforced for the plastic strap tightening |
| Plastic strap - Black | 2 | To Squeeze 2 cardboard sleeve together |
| Packaging label | 3 | White label with PN |
| Plastic strap- Green | 2 | To secure the enclosure to the wood pallet |
| Wood Pallet | 1 | 2" deeper and 3" larger than enclosure size |

| | | | |
|------------|----------------------------|-----|--|
| 1 | 885 ESMF1 | 0 | 885 ESMF1 Mounting Feet Kit |
| 1 | 1412BTCU121603DTIP2 | 0 | 1412BTCU 20.125" x 53" Right Inner Panel |
| 1 | 1412BTCU121603DTBAR 1-P | 0 | Rounded Edge Copper Bar 1/2" x 4" |
| 1 | 1412BTCU121603DTBAR 2-P | 0 | Rounded Edge Copper Bar 1/2" x 4" |
| 1 | 1412BTCU121603DTBAR 3-P | 0 | Rounded Edge Copper Bar 1/2" x 4" |
| 1 | 1412BTCU121603DTIP1 | 0 | 1412BTCU 20.125" x 29" Left Inner Panel |
| 15 | STK-A-67400 | 0 | Buss Bar Insulator Kit |
| 1 | STK-K-01800 | 5 | 5412 ES Accessory Kit |
| 8 | STK-Q-04050-07 | 7 | M6 x 7mm Hexagon Socket Head Machine Screw with Nyseal |
| 25 | STK-Q-07310 | 2 | Flange Lock Nut M8 |
| 10 | STK-Q-07610 | 8 | M8 Plastic Spacer 22.2mm |
| 1 | 1412BTCU121603DTB | 0 | 1412BTCU 27" x 144" x 10" Body |
| 1 | 1412BTCU121603DTC | 0 | 1412BTCU 27" x 144" Cover |
| Qty | Part Number | Rev | Description |
| Parts List | | | |

| | | |
|--|---|---|
| | Tél: (450) 979-4373 Fax: (450) 979-4626 www.exmweb.com | Flatness Aplatissement Max 3.0mm Projection |
| | Customer Client Drawn By Dessiné Par Material Matière Color Couleur Asa-61 Grey Finish Fini Smooth Description 1412BTCU 1600A - 3Wires x 144" Assembly Part Number Numéro Pièce 1412BTCU121603DT | Date Date 2022-10-24 Detail Rev. Rev. 3 0 |

This drawing is confidential and must not be reproduced or used without the consent of EXM

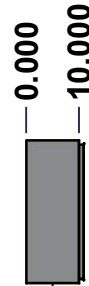
Ce dessin est confidentiel et ne doit pas être reproduit ou utilisé sans le consentement de EXM



TOP



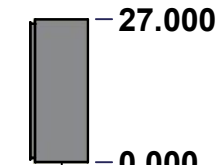
BACK



LEFT



FRONT

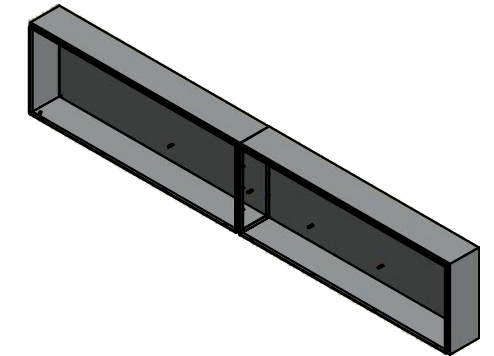


RIGHT



BOTTOM

| No. | Revisions | Date | By/Par |
|-----|-----------|------|--------|
| | | | |
| | | | |
| | | | |
| | | | |
| | | | |



Isometric View

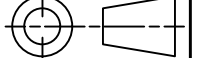


Tél: (450) 979-4373
 Fax: (450) 979-4626
www.exmweb.com

Flatness
Aplatissement

Max 3.0mm

Projection



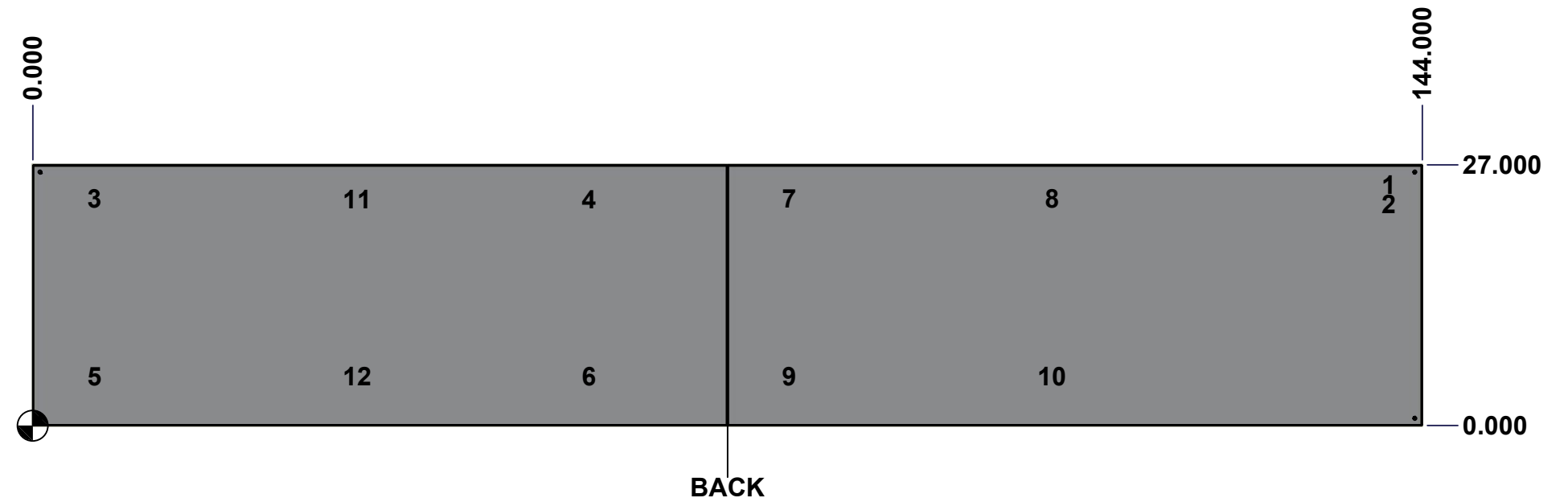
| | |
|---|-----------------------|
| Customer Client | Date |
| Drawn By Dessiné Par BoxCad: BoxCad | Date 2022-10-24 |
| Material Matière 14 Ga Cold Rolled A1008 CS Type B (1.7mm) | |
| Color Couleur Asa-61 Grey | Finish Fini Smooth |
| Description 1412BTCU 27" x 144" x 10" Body | Detail Rev. |
| Part Number Numéro Pièce 1412BTCU121603DTB | Rev. 0 |

SEE BILL OF MATERIAL ON LAST PAGE

This drawing is confidential and must not be reproduced or used without the consent of Eurobox

Ce dessin est confidentiel et ne doit pas être reproduit ou utilisé sans le consentement de Eurobox

| STANDARD FEATURES ARE NOT LISTED IN THIS HOLE TABLE | | | |
|---|---------|--------|-----------------------------|
| HOLE TABLE - BACK VIEW (CUSTOM FEATURE ONLY) | | | |
| CUT-OUT | XDIM | YDIM | DESCRIPTION |
| 1 | 140.000 | 25.000 | GND STUD M8 x 35mm (Inside) |
| 2 | 140.000 | 23.000 | GND STUD M8 x 35mm (Inside) |
| 3 | 5.875 | 23.500 | IP STUD M8 x 35mm (Inside) |
| 4 | 57.125 | 23.500 | IP STUD M8 x 35mm (Inside) |
| 5 | 5.875 | 5.125 | IP STUD M8 x 35mm (Inside) |
| 6 | 57.125 | 5.125 | IP STUD M8 x 35mm (Inside) |
| 7 | 77.875 | 23.500 | IP STUD M8 x 35mm (Inside) |
| 8 | 105.125 | 23.500 | IP STUD M8 x 35mm (Inside) |
| 9 | 77.875 | 5.125 | IP STUD M8 x 35mm (Inside) |
| 10 | 105.125 | 5.125 | IP STUD M8 x 35mm (Inside) |
| 11 | 33.125 | 23.500 | IP STUD M8 x 35mm (Inside) |
| 12 | 33.125 | 5.125 | IP STUD M8 x 35mm (Inside) |

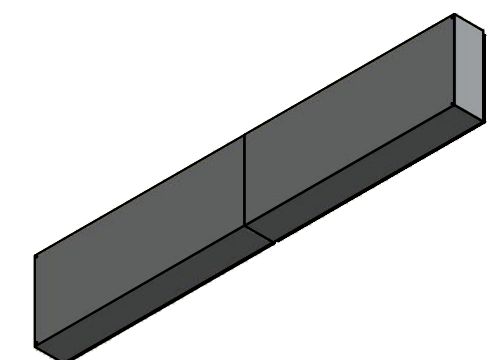


| | | | |
|-----------------------------|--------------------------------|----------|--------|
| | Description | | Status |
| | 1412BTCU 27" x 144" x 10" Body | | (NULL) |
| Part Number Numéro Pièce | | Rev. | 5 |
| 1412BTCU121603DTB | | 0 | 16 |

This drawing is confidential and must not be reproduced or used without the consent of EXM


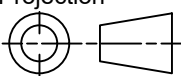
Ce dessin est confidentiel et ne doit pas être reproduit ou utilisé sans le consentement de EXM

| No. | Revisions | Date | By/Par |
|-----|-----------|------|--------|
| | | | |
| | | | |
| | | | |
| | | | |
| | | | |



Isometric View



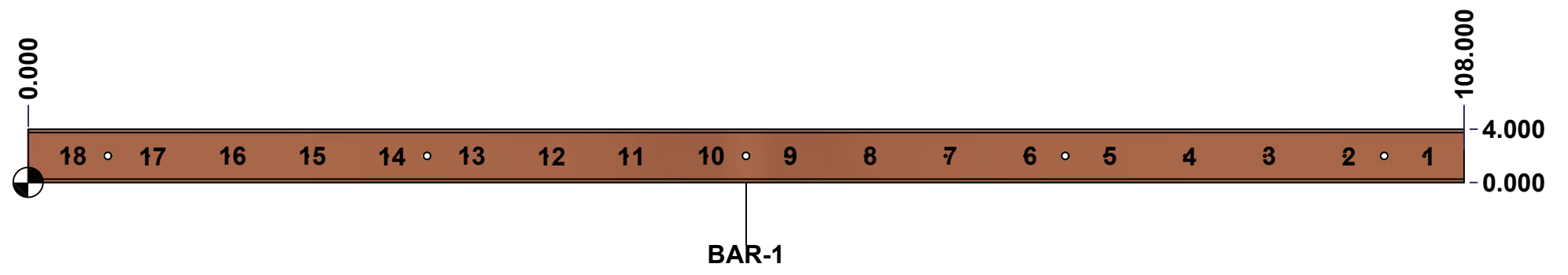
| | | |
|--|-------------|---|
|  Tél: (450) 979-4373 Fax: (450) 979-4626 www.exmweb.com | | Flatness Aplatissement Max 3.0mm |
| Customer Client | | Projection  |
| Drawn By Dessiné Par BoxCad: BoxCad | | Date 2022-10-24 |
| Material Matière 14 Ga Cold Rolled A1008 CS Type B (1.7mm) | | |
| Color Couleur | Asa-61 Grey | Finish Fini Smooth |
| Description 1412BTCU 27" x 144" x 10" Body | | Detail Rev. |
| Part Number Numéro Pièce 1412BTCU121603DTB | | Rev. 6 0 |

| Qty | Part Number | Rev | Description |
|------------|---------------------|-----|---|
| 1 | STK-P-02400S | 0 | Powder Paint (Asa-61 Grey / Smooth) |
| 1 | 1412BTCU121603DTB-P | 0 | 1412BTCU 27" x 144" x 10" Left Body Part |
| 1 | 1412BTCU121603DTE-P | 0 | 1412BTCU 27" x 144" x 10" Right Body Part |
| 1 | STK-G-00701 | 0 | 1" x 1/4" Self-Adhesive Neoprene Gasket |
| 10 | STK-Q-00260 | 1 | M6 x 13mm Carriage Bolt |
| 10 | STK-Q-07220 | 1 | M6 Nylon Insert Lock Nut |
| 12 | STK-Q-16005 | 1 | Stud M8 x 35 (No Paint Cap Required) |
| 2 | STK-Q-16080 | 0 | Ground Stud M6 x 16mm |
| 1 | STK-S-00100 | 0 | 3.5" x 2" Silver Milar Flexcon Sticker |
| Parts List | | | |

This drawing is confidential and must not be reproduced or used without the consent of Eurobox

Ce dessin est confidentiel et ne doit pas être reproduit ou utilisé sans le consentement de Eurobox

| STANDARD FEATURES ARE NOT LISTED IN THIS HOLE TABLE | | | |
|---|---------|-------|------------------------------|
| HOLE TABLE - FRONT VIEW (CUSTOM FEATURE ONLY) | | | |
| CUT-OUT | XDIM | YDIM | DESCRIPTION |
| 1 | 105.000 | 2.000 | RND Ø0.201 THREAD 1/4-20 UNC |
| 2 | 99.000 | 2.000 | RND Ø0.201 THREAD 1/4-20 UNC |
| 3 | 93.000 | 2.000 | RND Ø0.201 THREAD 1/4-20 UNC |
| 4 | 87.000 | 2.000 | RND Ø0.201 THREAD 1/4-20 UNC |
| 5 | 81.000 | 2.000 | RND Ø0.201 THREAD 1/4-20 UNC |
| 6 | 75.000 | 2.000 | RND Ø0.201 THREAD 1/4-20 UNC |
| 7 | 69.000 | 2.000 | RND Ø0.201 THREAD 1/4-20 UNC |
| 8 | 63.000 | 2.000 | RND Ø0.201 THREAD 1/4-20 UNC |
| 9 | 57.000 | 2.000 | RND Ø0.201 THREAD 1/4-20 UNC |
| 10 | 51.000 | 2.000 | RND Ø0.201 THREAD 1/4-20 UNC |
| 11 | 45.000 | 2.000 | RND Ø0.201 THREAD 1/4-20 UNC |
| 12 | 39.000 | 2.000 | RND Ø0.201 THREAD 1/4-20 UNC |
| 13 | 33.000 | 2.000 | RND Ø0.201 THREAD 1/4-20 UNC |
| 14 | 27.000 | 2.000 | RND Ø0.201 THREAD 1/4-20 UNC |
| 15 | 21.000 | 2.000 | RND Ø0.201 THREAD 1/4-20 UNC |
| 16 | 15.000 | 2.000 | RND Ø0.201 THREAD 1/4-20 UNC |
| 17 | 9.000 | 2.000 | RND Ø0.201 THREAD 1/4-20 UNC |
| 18 | 3.000 | 2.000 | RND Ø0.201 THREAD 1/4-20 UNC |

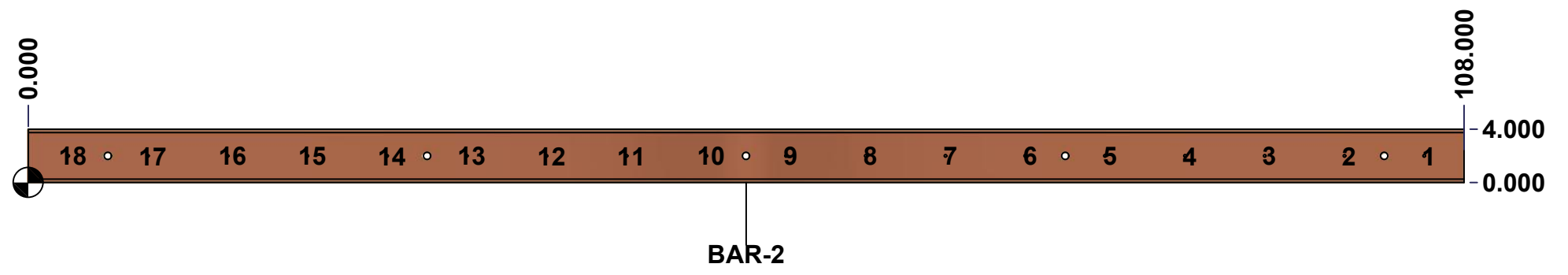


| | | | |
|--|-----------------------------------|----------|----|
| | Description | Status | |
| | Rounded Edge Copper Bar 1/2" x 4" | (NULL) | |
| | Part Number Numéro Pièce | Rev. | |
| | 1412BTCU121603DTBAR1-P | 0 | 7 |
| | | | 16 |

This drawing is confidential and must not be reproduced or used without the consent of Eurobox

Ce dessin est confidentiel et ne doit pas être reproduit ou utilisé sans le consentement de Eurobox

| STANDARD FEATURES ARE NOT LISTED IN THIS HOLE TABLE | | | |
|---|---------|-------|------------------------------|
| HOLE TABLE - FRONT VIEW (CUSTOM FEATURE ONLY) | | | |
| CUT-OUT | XDIM | YDIM | DESCRIPTION |
| 1 | 105.000 | 2.000 | RND Ø0.201 THREAD 1/4-20 UNC |
| 2 | 99.000 | 2.000 | RND Ø0.201 THREAD 1/4-20 UNC |
| 3 | 93.000 | 2.000 | RND Ø0.201 THREAD 1/4-20 UNC |
| 4 | 87.000 | 2.000 | RND Ø0.201 THREAD 1/4-20 UNC |
| 5 | 81.000 | 2.000 | RND Ø0.201 THREAD 1/4-20 UNC |
| 6 | 75.000 | 2.000 | RND Ø0.201 THREAD 1/4-20 UNC |
| 7 | 69.000 | 2.000 | RND Ø0.201 THREAD 1/4-20 UNC |
| 8 | 63.000 | 2.000 | RND Ø0.201 THREAD 1/4-20 UNC |
| 9 | 57.000 | 2.000 | RND Ø0.201 THREAD 1/4-20 UNC |
| 10 | 51.000 | 2.000 | RND Ø0.201 THREAD 1/4-20 UNC |
| 11 | 45.000 | 2.000 | RND Ø0.201 THREAD 1/4-20 UNC |
| 12 | 39.000 | 2.000 | RND Ø0.201 THREAD 1/4-20 UNC |
| 13 | 33.000 | 2.000 | RND Ø0.201 THREAD 1/4-20 UNC |
| 14 | 27.000 | 2.000 | RND Ø0.201 THREAD 1/4-20 UNC |
| 15 | 21.000 | 2.000 | RND Ø0.201 THREAD 1/4-20 UNC |
| 16 | 15.000 | 2.000 | RND Ø0.201 THREAD 1/4-20 UNC |
| 17 | 9.000 | 2.000 | RND Ø0.201 THREAD 1/4-20 UNC |
| 18 | 3.000 | 2.000 | RND Ø0.201 THREAD 1/4-20 UNC |

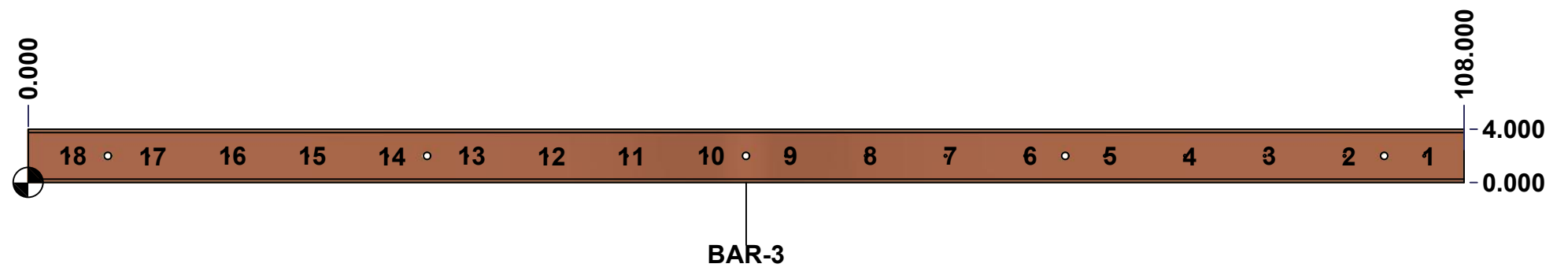


| | | |
|--|-----------------------------------|----------|
| | Description | Status |
| | Rounded Edge Copper Bar 1/2" x 4" | (NULL) |
| | Part Number Numéro Pièce | Rev. |
| | 1412BTCU121603DTBAR2-P | 8 |
| | | 0 |
| | | 16 |

This drawing is confidential and must not be reproduced or used without the consent of Eurobox

Ce dessin est confidentiel et ne doit pas être reproduit ou utilisé sans le consentement de Eurobox

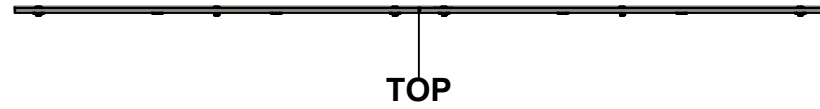
| STANDARD FEATURES ARE NOT LISTED IN THIS HOLE TABLE | | | |
|---|---------|-------|------------------------------|
| HOLE TABLE - FRONT VIEW (CUSTOM FEATURE ONLY) | | | |
| CUT-OUT | XDIM | YDIM | DESCRIPTION |
| 1 | 105.000 | 2.000 | RND Ø0.201 THREAD 1/4-20 UNC |
| 2 | 99.000 | 2.000 | RND Ø0.201 THREAD 1/4-20 UNC |
| 3 | 93.000 | 2.000 | RND Ø0.201 THREAD 1/4-20 UNC |
| 4 | 87.000 | 2.000 | RND Ø0.201 THREAD 1/4-20 UNC |
| 5 | 81.000 | 2.000 | RND Ø0.201 THREAD 1/4-20 UNC |
| 6 | 75.000 | 2.000 | RND Ø0.201 THREAD 1/4-20 UNC |
| 7 | 69.000 | 2.000 | RND Ø0.201 THREAD 1/4-20 UNC |
| 8 | 63.000 | 2.000 | RND Ø0.201 THREAD 1/4-20 UNC |
| 9 | 57.000 | 2.000 | RND Ø0.201 THREAD 1/4-20 UNC |
| 10 | 51.000 | 2.000 | RND Ø0.201 THREAD 1/4-20 UNC |
| 11 | 45.000 | 2.000 | RND Ø0.201 THREAD 1/4-20 UNC |
| 12 | 39.000 | 2.000 | RND Ø0.201 THREAD 1/4-20 UNC |
| 13 | 33.000 | 2.000 | RND Ø0.201 THREAD 1/4-20 UNC |
| 14 | 27.000 | 2.000 | RND Ø0.201 THREAD 1/4-20 UNC |
| 15 | 21.000 | 2.000 | RND Ø0.201 THREAD 1/4-20 UNC |
| 16 | 15.000 | 2.000 | RND Ø0.201 THREAD 1/4-20 UNC |
| 17 | 9.000 | 2.000 | RND Ø0.201 THREAD 1/4-20 UNC |
| 18 | 3.000 | 2.000 | RND Ø0.201 THREAD 1/4-20 UNC |



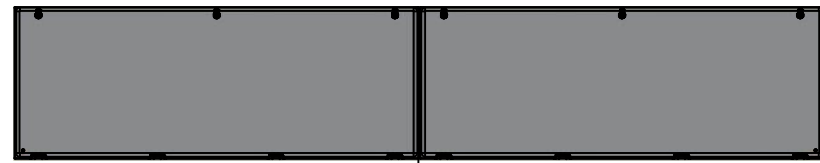
| | | |
|--|-----------------------------------|--------|
| | Description | Status |
| | Rounded Edge Copper Bar 1/2" x 4" | (NULL) |
| | Part Number Numéro Pièce | Rev. |
| | 1412BTCU121603DTBAR3-P | 9 |
| | 0 | 16 |

This drawing is confidential and must not be reproduced or used without the consent of EXM

Ce dessin est confidentiel et ne doit pas être reproduit ou utilisé sans le consentement de EXM



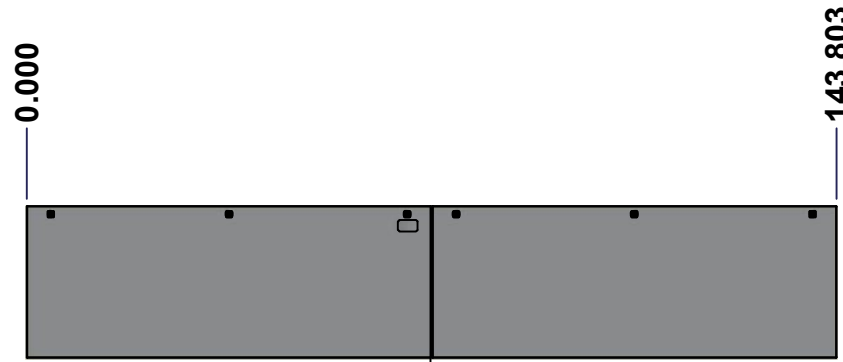
TOP



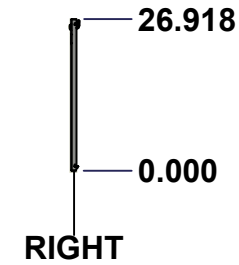
BACK



LEFT



FRONT

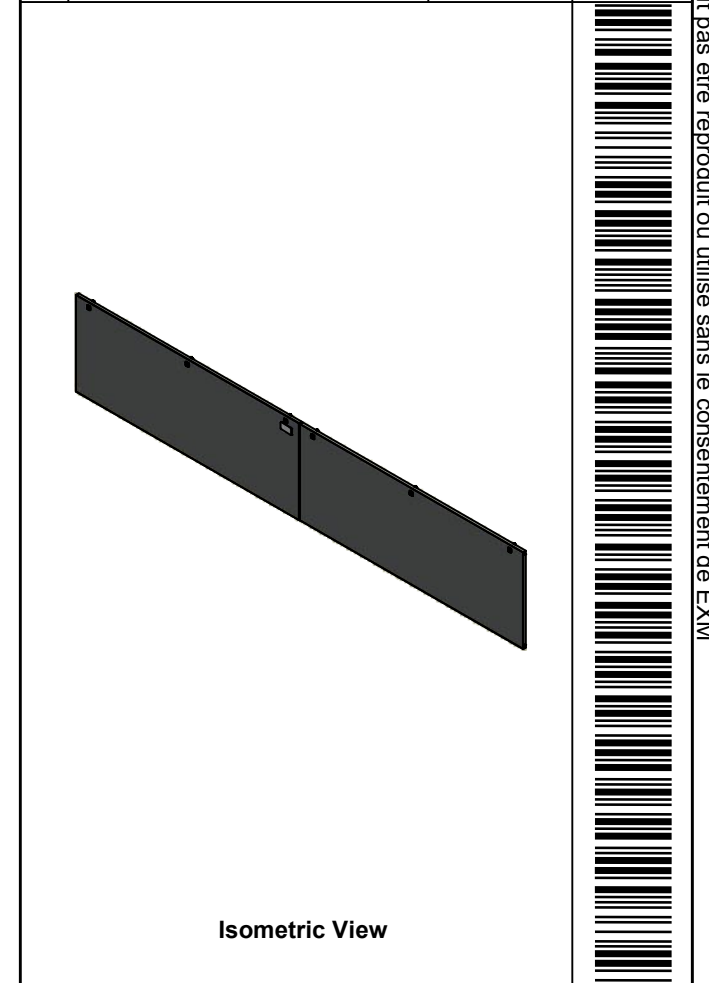



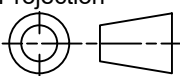
RIGHT



BOTTOM

| No. | Revisions | Date | By/Par |
|-----|-----------|------|--------|
| | | | |
| | | | |
| | | | |
| | | | |
| | | | |



| | | |
|--|---|---|
|  Tél: (450) 979-4373 Fax: (450) 979-4626 www.exmweb.com | | Flatness Aplatissement Max 3.0mm Projection  |
| Customer Client | Date | |
| Drawn By Dessiné Par | BoxCad: BoxCad | Date 2022-10-24 |
| Material Matière | 14 Ga Cold Rolled A1008 CS Type B (1.7mm) | |
| Color Couleur | Asa-61 Grey | Finish Fini Smooth |
| Description 1412BTCU 27" x 144" Cover | | Detail Rev. |
| Part Number Numéro Pièce | 1412BTCU121603DTC | Rev. 10 0 |

SEE BILL OF MATERIAL ON LAST PAGE

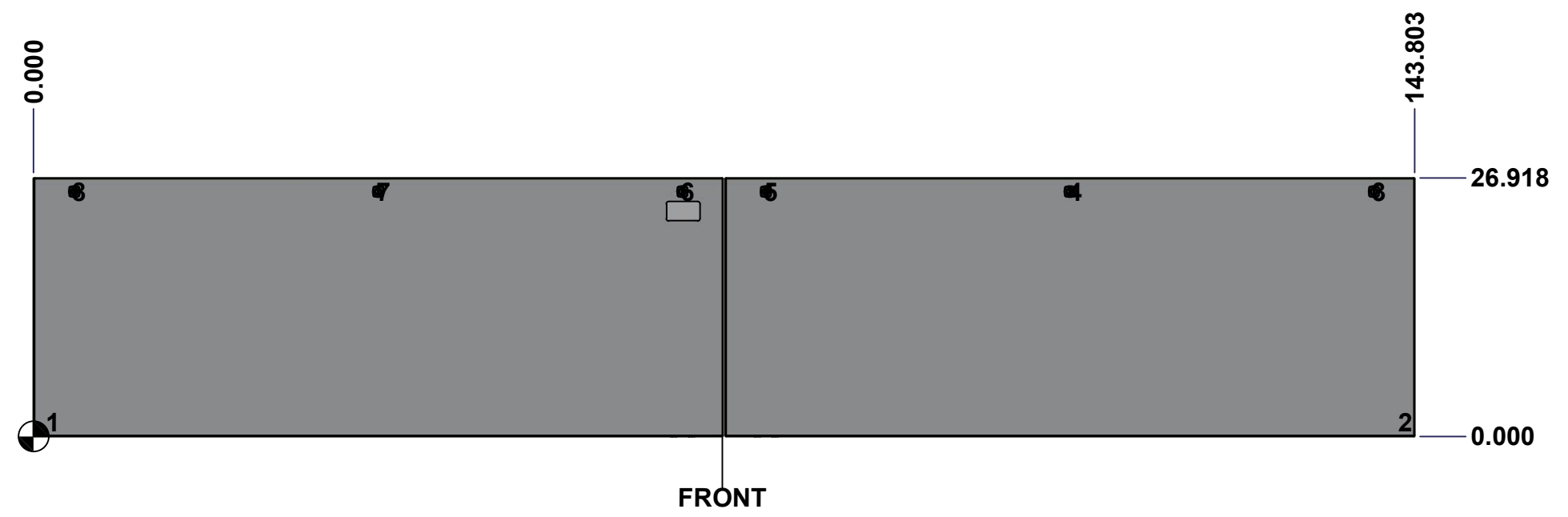
This drawing is confidential and must not be reproduced or used without the consent of Eurobox

Ce dessin est confidentiel et ne doit pas être reproduit ou utilisé sans le consentement de Eurobox

STANDARD FEATURES ARE NOT LISTED IN THIS HOLE TABLE

HOLE TABLE - FRONT VIEW (CUSTOM FEATURE ONLY)

| CUT-OUT | XDIM | YDIM | DESCRIPTION |
|---------|---------|--------|-----------------------------|
| 1 | 1.500 | 1.486 | GND STUD M6 x 16mm (Inside) |
| 2 | 142.303 | 1.486 | GND STUD M6 x 16mm (Inside) |
| 3 | 139.553 | 25.494 | LOCK 880 SCQ4-SL @ 90.0° |
| 4 | 107.902 | 25.494 | LOCK 880 SCQ4-SL @ 90.0° |
| 5 | 76.250 | 25.494 | LOCK 880 SCQ4-SL @ 90.0° |
| 6 | 67.553 | 25.494 | LOCK 880 SCQ4-SL @ 90.0° |
| 7 | 35.902 | 25.494 | LOCK 880 SCQ4-SL @ 90.0° |
| 8 | 4.250 | 25.494 | LOCK 880 SCQ4-SL @ 90.0° |

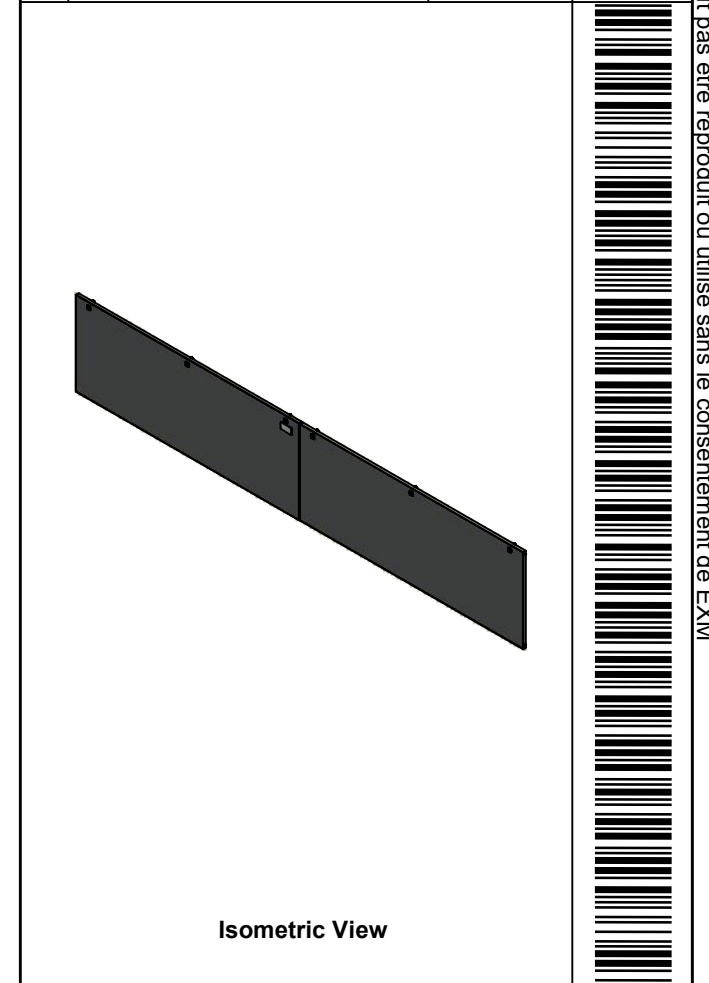


| | | | |
|--|-----------------------------|----------|----|
| | Description | Status | |
| | 1412BTCU 27" x 144" Cover | (NULL) | |
| | Part Number Numéro Pièce | Rev. | 11 |
| | 1412BTCU121603DTC | 0 | 16 |

This drawing is confidential and must not be reproduced or used without the consent of EXM

Ce dessin est confidentiel et ne doit pas être reproduit ou utilisé sans le consentement de EXM

| No. | Revisions | Date | By/Par |
|-----|-----------|------|--------|
| | | | |
| | | | |
| | | | |
| | | | |
| | | | |




 Tél: (450) 979-4373
 Fax: (450) 979-4626
www.exmweb.com

Flatness
 Aplatissement
 Max 3.0mm
Projection


| | |
|--|------------------|
| Customer Client | Date |
| Drawn By / Dessiné Par: BoxCad: BoxCad | Date: 2022-10-24 |

Material / Matière: 14 Ga Cold Rolled A1008 CS Type B (1.7mm)

| | |
|------------------------------|-----------------------|
| Color / Couleur: Asa-61 Grey | Finish / Fini: Smooth |
|------------------------------|-----------------------|

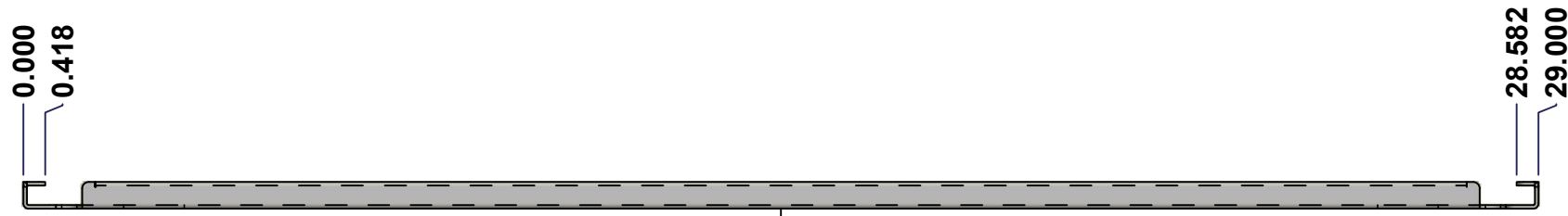
| | |
|--|-------------|
| Description: 1412BTCU 27" x 144" Cover | Detail Rev. |
|--|-------------|

| | | |
|--|---------------|---------|
| Part Number / Numéro Pièce: 1412BTCU121603DTC | Rev. 0 | 12 / 16 |
|--|---------------|---------|

| Qty | Part Name | Rev | Description |
|------------|---------------------|-----|---|
| 2 | 1412BTCU121603DTG | 0 | 1412BTCU 27" x 144" Cover Gasket |
| 1 | STK-P-02400S | 0 | Powder Paint (Asa-61 Grey / Smooth) |
| 8 | STK-K-09800 | 10 | 5412 ES Hinge with 2 Captive Hinge Pins |
| 2 | STK-Q-16080 | 0 | Ground Stud M6 x 16mm |
| 1 | STK-S-00100 | 0 | 3.5" x 2" Silver Milar Flexcon Sticker |
| 1 | 1412BTCU121603DTC-P | 0 | 1412BTCU 27" x 72" Left Cover Part |
| 1 | 1412BTCU121603DTF-P | 0 | 1412BTCU 27" x 144" Right Cover Part |
| 6 | 880 SCQ4-SL | 6 | 5412 ES 1/4 Turn Lock |
| Parts List | | | |

This drawing is confidential and must not be reproduced or used without the consent of EXM

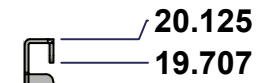
Ce dessin est confidentiel et ne doit pas être reproduit ou utilisé sans le consentement de EXM



TOP



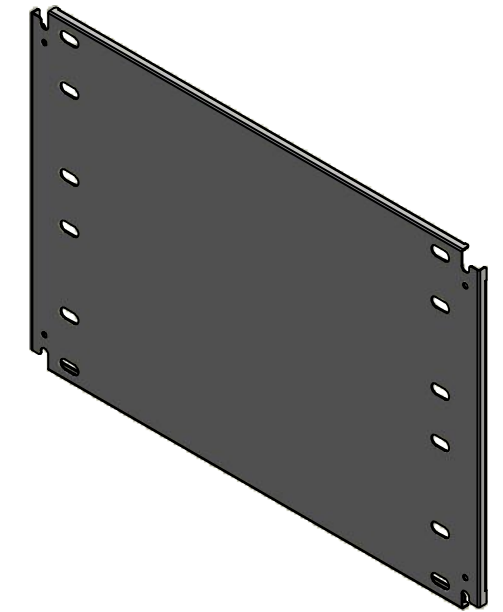
FRONT



RIGHT



| No. | Revisions | Date | By/Par |
|-----|-----------|------|--------|
| | | | |
| | | | |
| | | | |
| | | | |
| | | | |



Isometric View

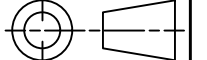


Tél: (450) 979-4373
 Fax: (450) 979-4626
www.exmweb.com

Flatness
Aplatissement

Max 3.0mm

Projection



| | |
|---|-----------------------|
| Customer Client | Date |
| Drawn By Dessiné Par BoxCad: BoxCad | Date 2022-10-24 |
| Material Matière 14 Ga Cold Rolled A1008 CS Type B (1.7mm) | |
| Color Couleur White RAL9003 | Finish Fini Smooth |

| | |
|--|---------------|
| Description 1412BTCU 20.125" x 29" Left Inner Panel | Detail Rev. |
| Part Number Numéro Pièce 1412BTCU121603DTIP1 | Rev. 0 |

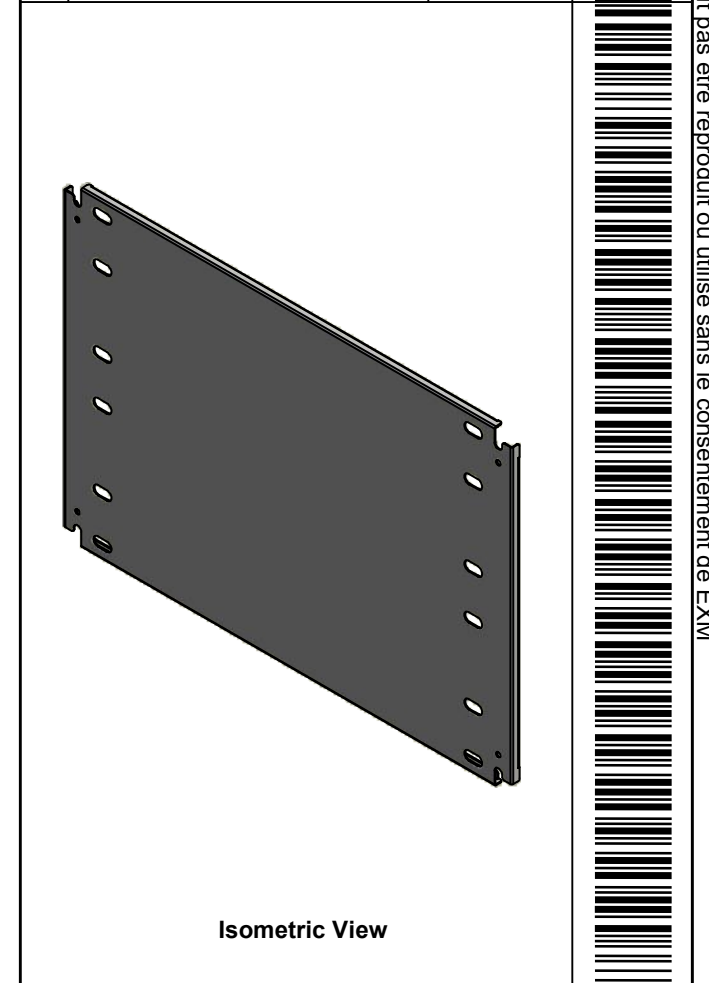
| |
|---------|
| Rev. 13 |
| 16 |

SEE BILL OF MATERIAL ON LAST PAGE

This drawing is confidential and must not be reproduced or used without the consent of EXM


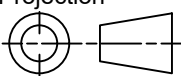
Ce dessin est confidentiel et ne doit pas être reproduit ou utilisé sans le consentement de EXM

| No. | Revisions | Date | By/Par |
|-----|-----------|------|--------|
| | | | |
| | | | |
| | | | |
| | | | |
| | | | |



Isometric View

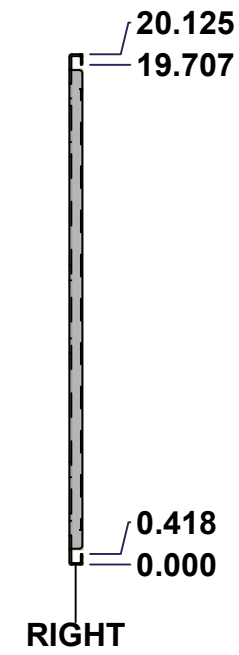
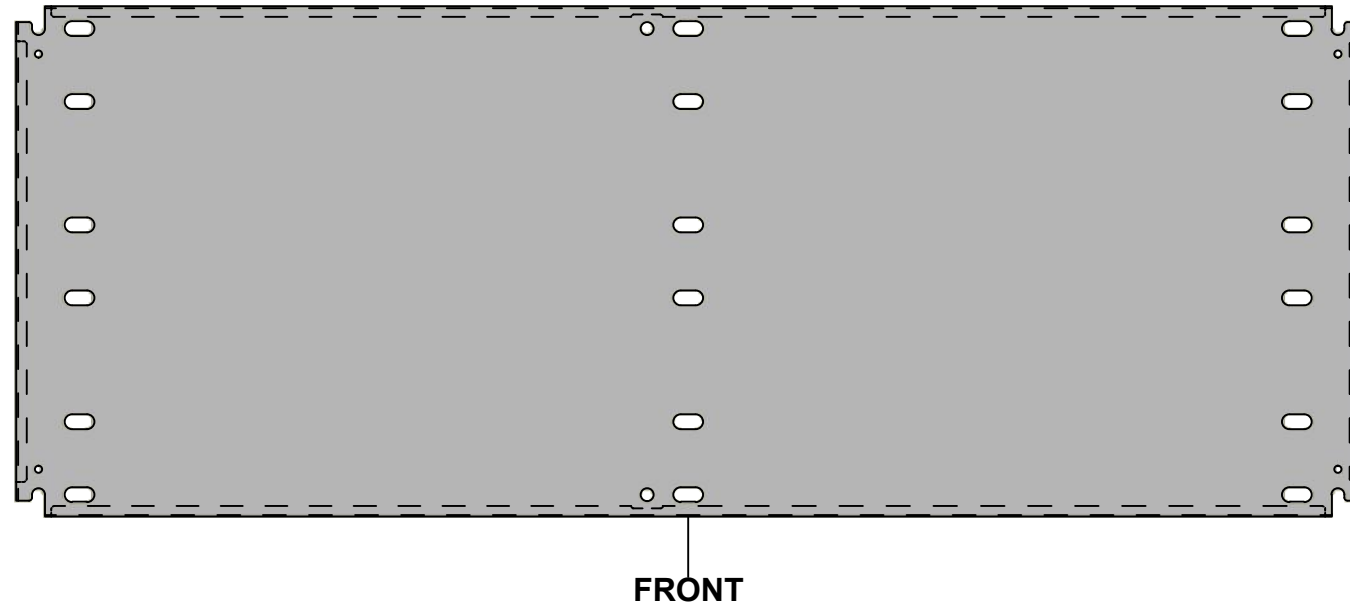
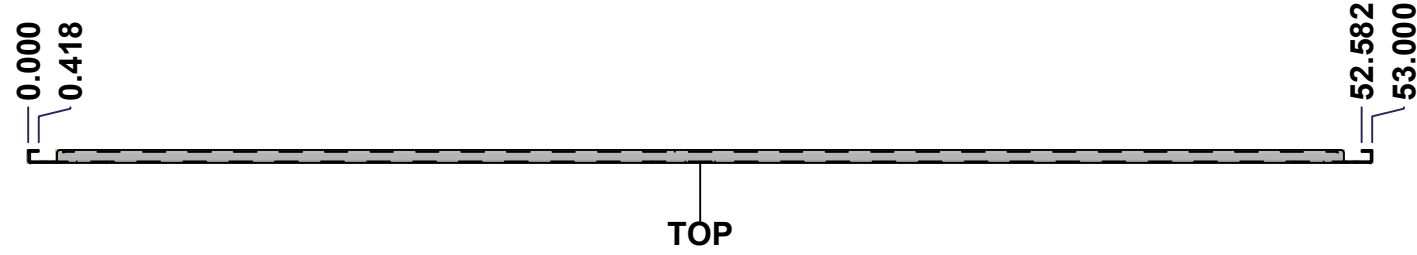


| | | |
|--|---|---|
|  Tél: (450) 979-4373 Fax: (450) 979-4626 www.exmweb.com | | Flatness Aplatissement Max 3.0mm Projection  |
| Customer Client | Date | |
| Drawn By Dessiné Par | BoxCad: BoxCad | Date 2022-10-24 |
| Material Matière | 14 Ga Cold Rolled A1008 CS Type B (1.7mm) | |
| Color Couleur | White RAL9003 | Finish Fini Smooth |
| Description | | Detail Rev. |
| 1412BTCU 20.125" x 29" Left Inner Panel | | |
| Part Number Numéro Pièce | Rev. | 14 |
| 1412BTCU121603DTIP1 | 0 | 16 |

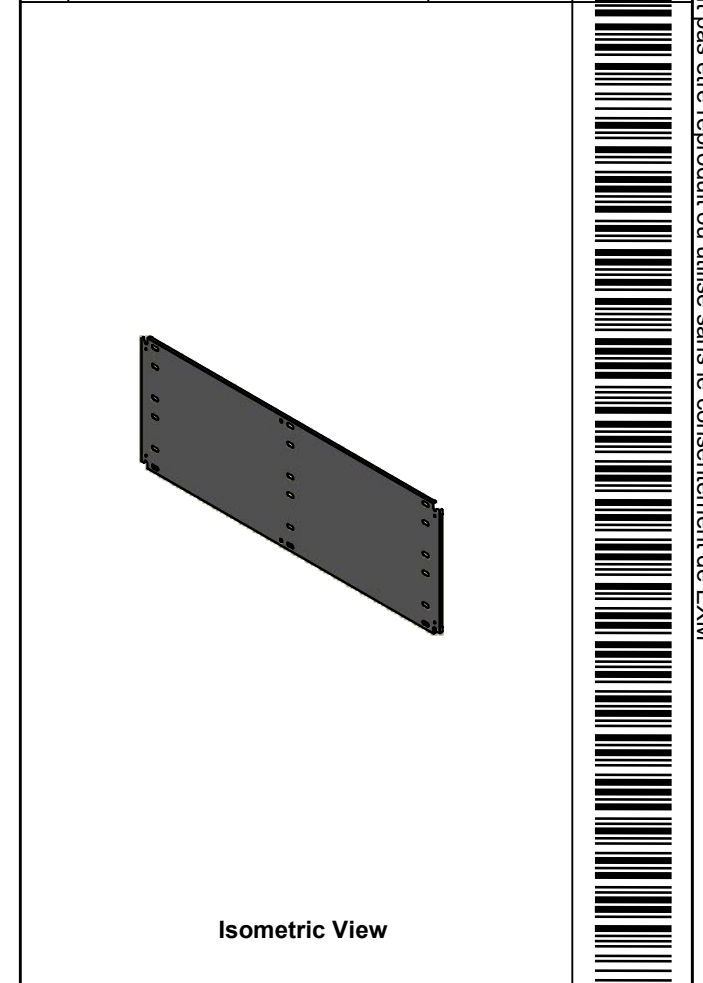
| Qty | Part Number | Rev | Description |
|------------|-----------------------|-----|---|
| 1 | STK-P-02401S | 0 | Powder Paint (White / Smooth) |
| 1 | 1412BTCU121603DTIP1-P | 0 | 1412BTCU 20.125" x 144" Left Inner Panel Part |
| Parts List | | | |


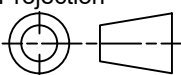
This drawing is confidential and must not be reproduced or used without the consent of EXM

Ce dessin est confidentiel et ne doit pas être reproduit ou utilisé sans le consentement de EXM



| No. | Revisions | Date | By/Par |
|-----|-----------|------|--------|
| | | | |
| | | | |
| | | | |
| | | | |
| | | | |



| | | |
|--|---|---|
|  Tél: (450) 979-4373 Fax: (450) 979-4626 www.exmweb.com | | Flatness Aplatissement Max 3.0mm Projection  |
| Customer Client | Date | |
| Drawn By Dessiné Par | BoxCad: BoxCad | Date 2022-10-24 |
| Material Matière | 14 Ga Cold Rolled A1008 CS Type B (1.7mm) | |
| Color Couleur | White RAL9003 | Finish Fini Smooth |
| Description 1412BTCU 20.125" x 53" Right Inner Panel | | Detail Rev. |
| Part Number Numéro Pièce | Rev. 0 | 15 16 |

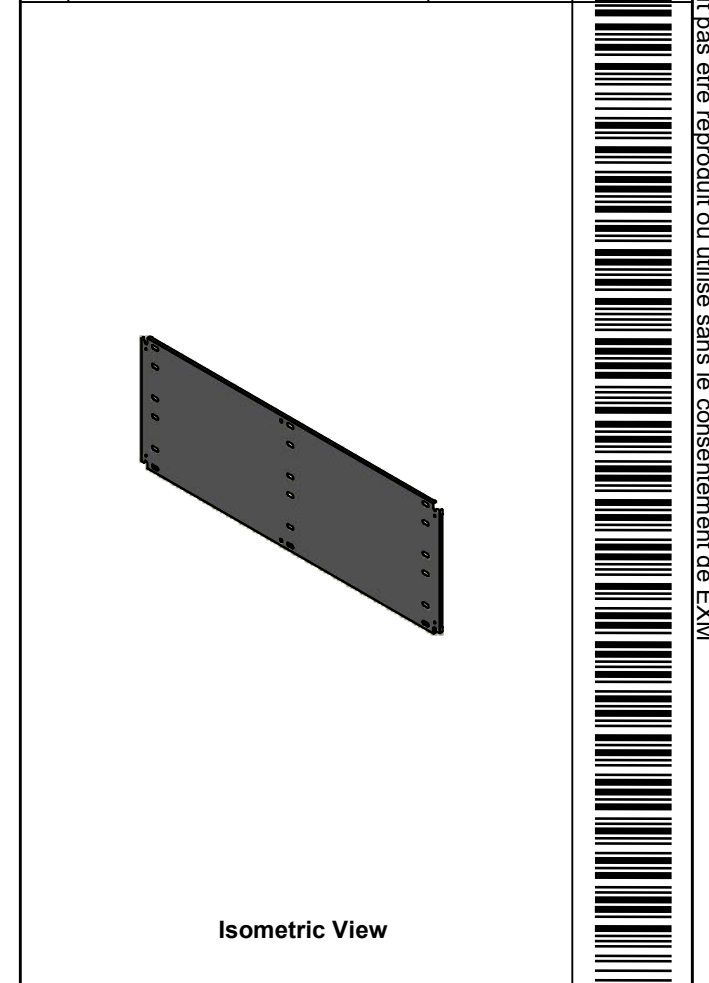
SEE BILL OF MATERIAL ON LAST PAGE


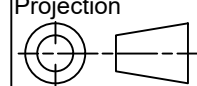
1412BTCU121603DTIP2

This drawing is confidential and must not be reproduced or used without the consent of EXM

Ce dessin est confidentiel et ne doit pas être reproduit ou utilisé sans le consentement de EXM

| No. | Revisions | Date | By/Par |
|-----|-----------|------|--------|
| | | | |
| | | | |
| | | | |
| | | | |
| | | | |



| | | |
|--|---|---|
|  Tél: (450) 979-4373 Fax: (450) 979-4626 www.exmweb.com | | Flatness Aplatissement Max 3.0mm Projection  |
| Customer Client | Date | |
| Drawn By Dessiné Par | BoxCad: BoxCad | Date 2022-10-24 |
| Material Matière | 14 Ga Cold Rolled A1008 CS Type B (1.7mm) | |
| Color Couleur | White RAL9003 | Finish Fini Smooth |
| Description | | Detail Rev. |
| 1412BTCU 20.125" x 53" Right Inner Panel | | |
| Part Number Numéro Pièce | Rev. | 16 |
| 1412BTCU121603DTIP2 | 0 | 16 |

| Qty | Part Number | Rev | Description |
|------------|-----------------------|-----|--|
| 1 | STK-P-02401S | 0 | Powder Paint (White / Smooth) |
| 1 | 1412BTCU121603DTIP2-P | 0 | 1412BTCU 20.125" x 144" Right Inner Panel Part |
| Parts List | | | |