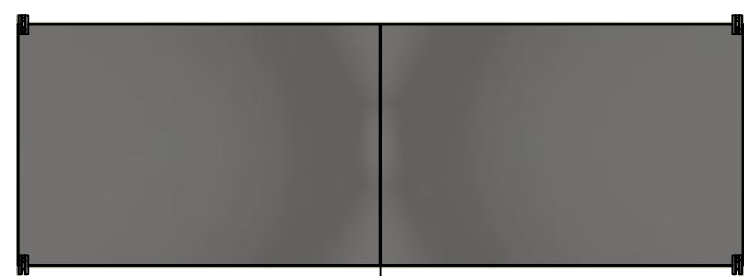


This drawing is confidential and must not be reproduced or used without the consent of EXM

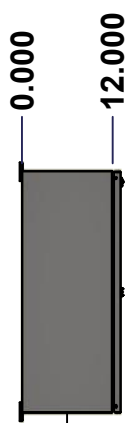
Ce dessin est confidentiel et ne doit pas être reproduit ou utilisé sans le consentement de EXM



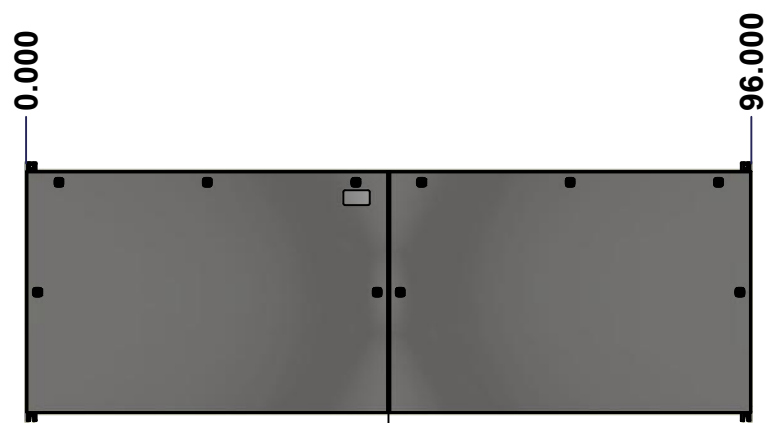
TOP



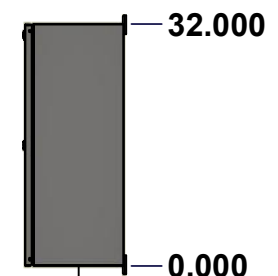
LEFT



LEFT



FRONT

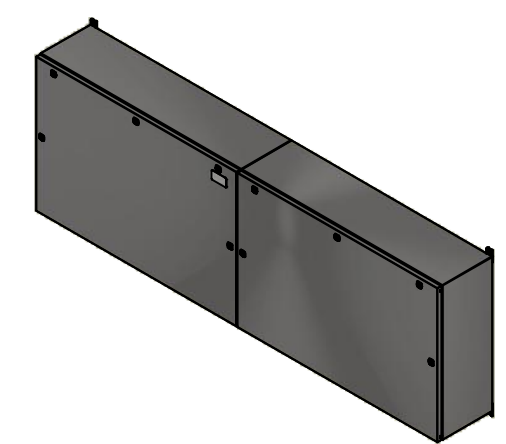


RIGHT




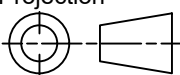
BOTTOM

No.	Revisions	Date	By/Par



Isometric View



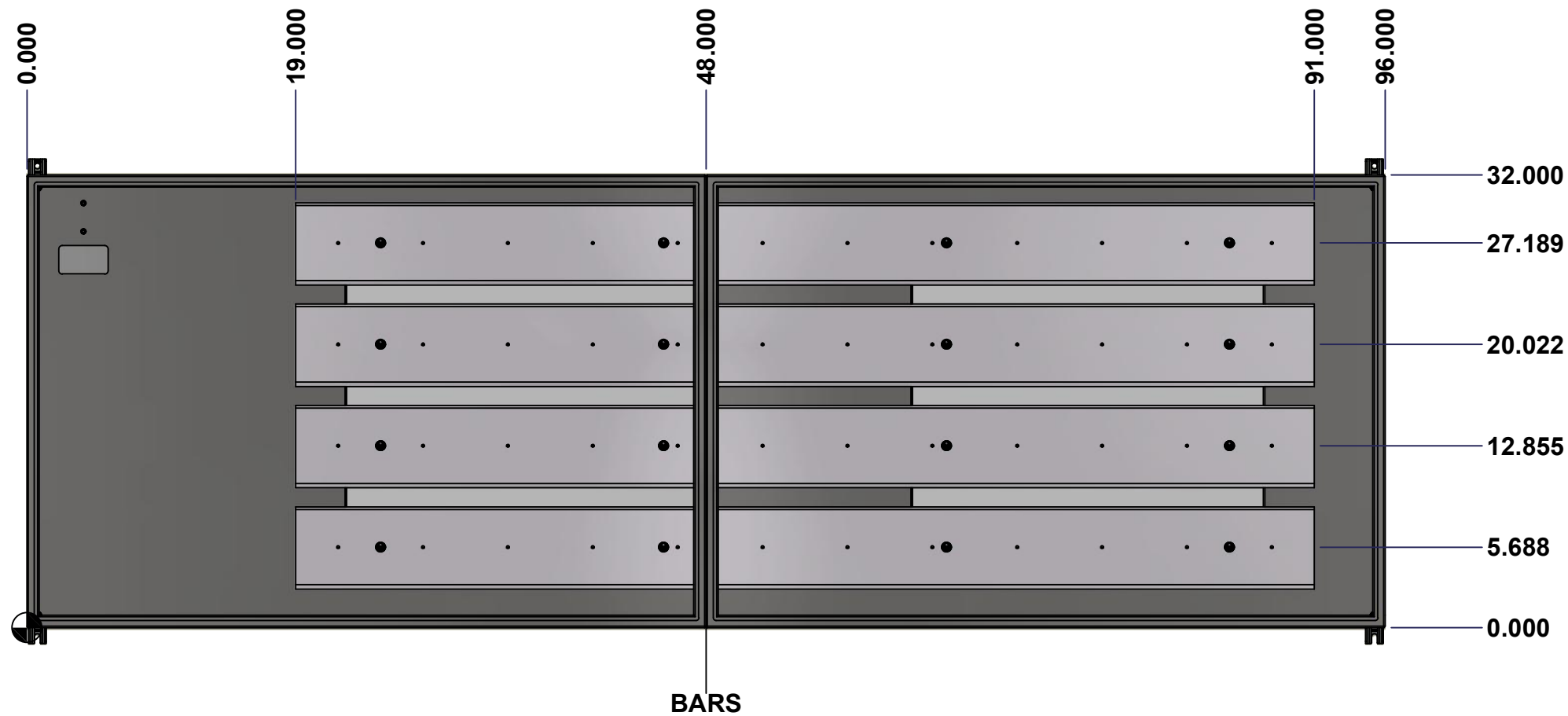
 Tél: (450) 979-4373 Fax: (450) 979-4626 www.exmweb.com	Flatness Aplatissement	Max 3.0mm
	Projection	
Customer Client	Date	
Drawn By Dessiné Par	BoxCad: BoxCad	Date 10/25/2022
Material Matière	14 Ga Stainless Steel 304 (1.7mm)	
Color Couleur	Unpainted	Finish Fini Brushed
Description	Detail Rev.	
1412BTSS 1600A - 4Wires x 96" Assembly		
Part Number Numéro Pièce	Rev.	1
1412BTSS081604DT	0	17

SEE BILL OF MATERIAL ON LAST PAGE

This drawing is confidential and must not be reproduced or used without the consent of Eurobox

STANDARD FEATURES ARE NOT LISTED IN THIS HOLE TABLE

Ce dessin est confidentiel et ne doit pas être reproduit ou utilisé sans le consentement de Eurobox



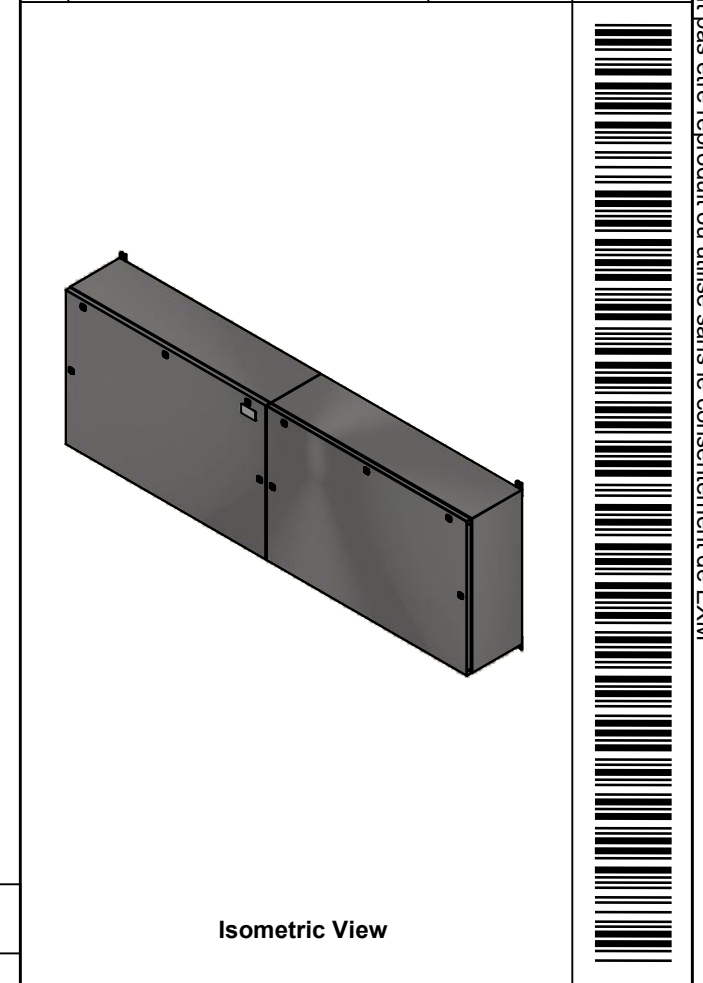
	Description		Status
	1412BTSS 1600A - 4Wires x 96" Assembly		(NULL)
	Part Number		Rev.
	Numéro Pièce		2
		1412BTSS081604DT	0
			17

This drawing is confidential and must not be reproduced or used without the consent of EXM

Ce dessin est confidentiel et ne doit pas être reproduit ou utilisé sans le consentement de EXM


NOTE	
ITEM	DESCRIPTION
1	NEMA 4X Enclosure
2	C/W Standard ground studs on box and cover
3	W/O Standard door stiffener
4	C/W Special inner panel (Sold separately)
5	C/W Standard inner panel mounting studs

No.	Revisions	Date	By/Par



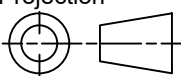
8	STK-Q-04051-07	8	M6 x 7mm Stainless Steel Hexagon Socket Head Machine Screw with Nyseal
1	885 ESMF2	0	885 ESMF2 Stainless Steel Mounting Feet Kit
1	1412BTSS081604DTIP2	0	1412BTSS 26.126" x 28" Right Inner Panel
1	1412BTSS081604DTBAR 1-P	0	Rounded Edge Aluminum Bar 1/2" x 6"
1	1412BTSS081604DTBAR 2-P	0	Rounded Edge Aluminum Bar 1/2" x 6"
1	1412BTSS081604DTBAR 3-P	0	Rounded Edge Aluminum Bar 1/2" x 6"
1	1412BTSS081604DTBAR 4-P	0	Rounded Edge Aluminum Bar 1/2" x 6"
1	1412BTSS081604DTIP1	0	1412BTSS 26.126" x 65" Inner Panel
16	STK-A-67400	0	Buss Bar Insulator Kit
1	STK-K-01800	5	5412 ES Accessory Kit
24	STK-Q-07310	2	Flange Lock Nut M8
8	STK-Q-07610	8	M8 Plastic Spacer 22.2mm
1	1412BTSS081604DTB	0	1412BTSS 32" x 96" x 12" Body
1	1412BTSS081604DTC	0	1412BTSS 32" x 96" Cover

PACKING		
ITEM	QTY	DESCRIPTION
Cardboard sleeve	2	Top and Bottom
Cardboard strip	2	Between back of enclosure and inner panel
Plastic bag	1	To protect cover surface and inside gasket
Cardboard corner	4	To reinforced for the plastic strap tightening
Plastic strap - Black	2	To Squeeze 2 cardboard sleeve together
Packaging label	3	White label with PN
Plastic strap- Green	2	To secure the enclosure to the wood pallet
Wood Pallet	1	2" deeper and 3" larger than enclosure size



Tél: (450) 979-4373
Fax: (450) 979-4626
www.exmweb.com

Flatness
Aplatissement
Max 3.0mm

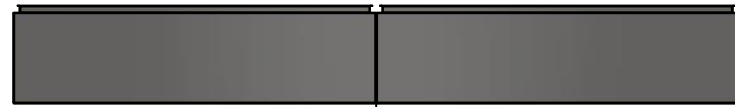
Projection


Customer Client	Date
Drawn By Dessiné Par BoxCad: BoxCad	Date 10/25/2022
Material Matière 14 Ga Stainless Steel 304 (1.7mm)	
Color Couleur Unpainted	Finish Fini Brushed
Description 1412BTSS 1600A - 4Wires x 96" Assembly	Detail Rev.
Part Number Numéro Pièce 1412BTSS081604DT	Rev. 0

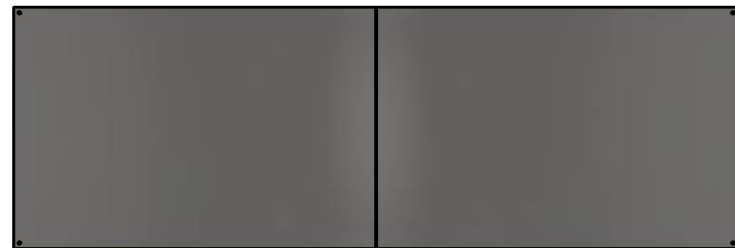
Qty	Part Number	Rev	Description
Parts List			

This drawing is confidential and must not be reproduced or used without the consent of EXM

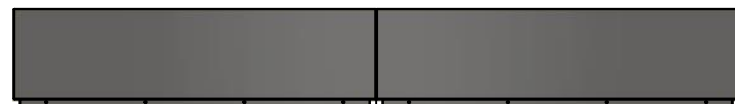
Ce dessin est confidentiel et ne doit pas être reproduit ou utilisé sans le consentement de EXM



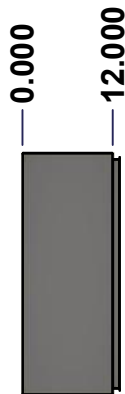
TOP



BACK



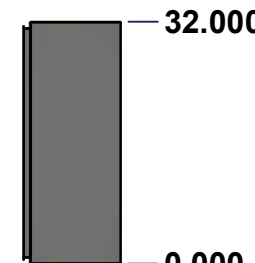
BOTTOM



LEFT

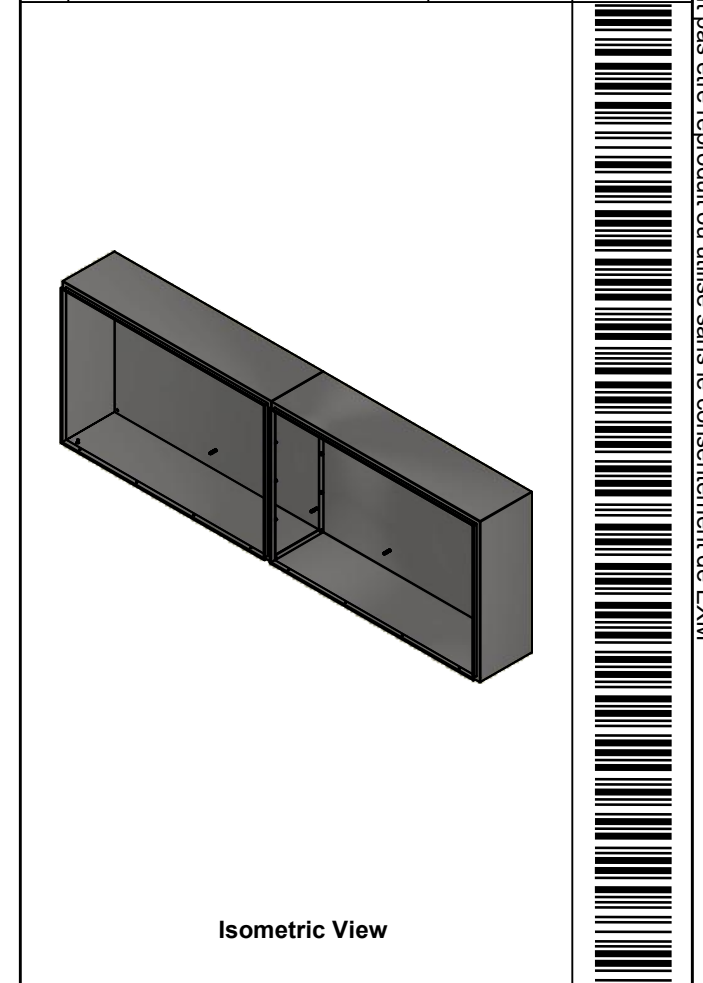



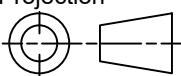
FRONT



RIGHT

No.	Revisions	Date	By/Par



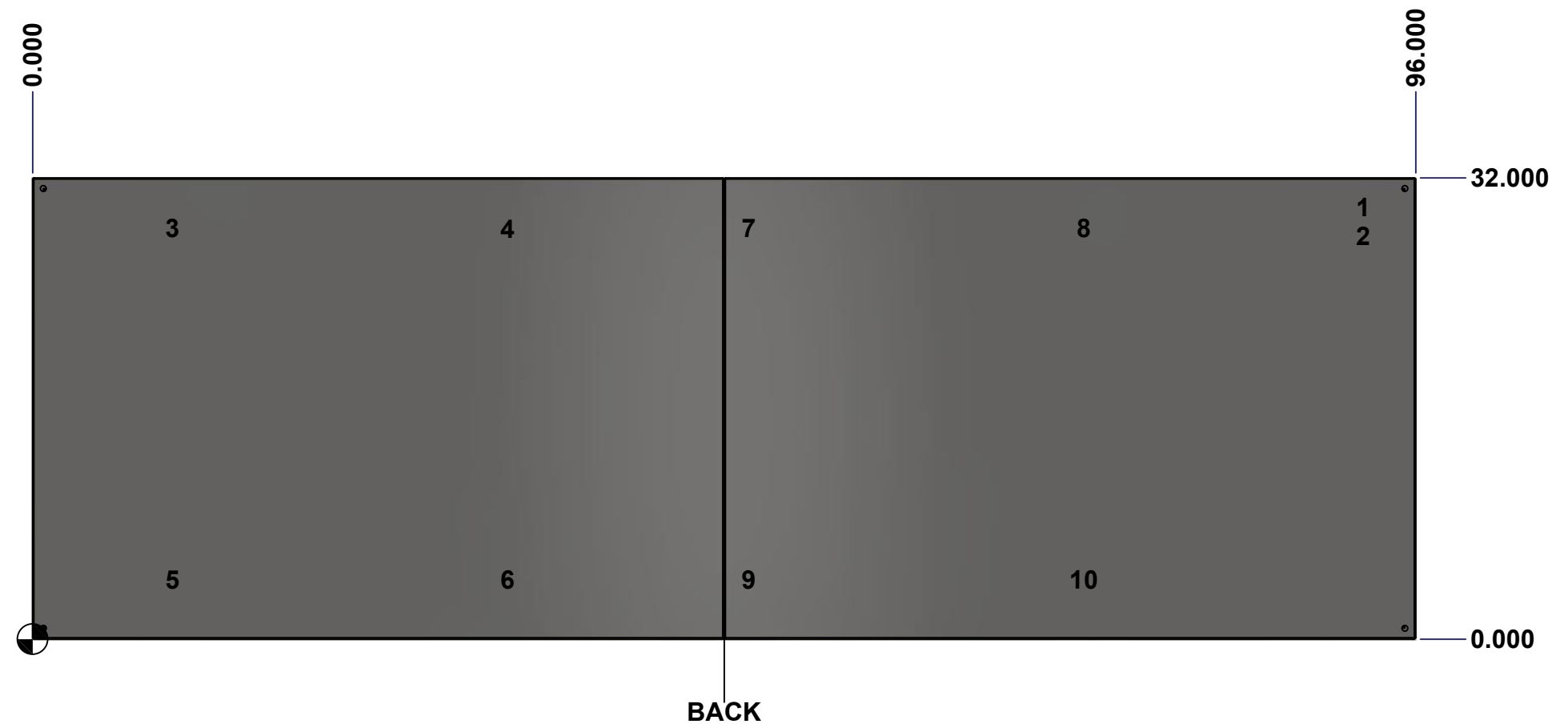
 Tél: (450) 979-4373 Fax: (450) 979-4626 www.exmweb.com		Flatness Aplatissement Max 3.0mm Projection 
Customer Client	Date	
Drawn By Dessiné Par	BoxCad: BoxCad	Date 10/25/2022
Material Matière	14 Ga Stainless Steel 304 (1.7mm)	
Color Couleur	Unpainted	Finish Fini Brushed
Description	Detail Rev.	
1412BTSS 32" x 96" x 12" Body		
Part Number Numéro Pièce	Rev.	4
1412BTSS081604DTB	0	17

SEE BILL OF MATERIAL ON LAST PAGE

This drawing is confidential and must not be reproduced or used without the consent of Eurobox

Ce dessin est confidentiel et ne doit pas être reproduit ou utilisé sans le consentement de Eurobox

STANDARD FEATURES ARE NOT LISTED IN THIS HOLE TABLE			
HOLE TABLE - BACK VIEW (CUSTOM FEATURE ONLY)			
CUT-OUT	XDIM	YDIM	DESCRIPTION
1	92.000	30.000	GND STUD M8 x 35mm (Inside)
2	92.000	28.000	GND STUD M8 x 35mm (Inside)
3	9.375	28.500	IP STUD M8 x 35mm (Inside)
4	32.625	28.500	IP STUD M8 x 35mm (Inside)
5	9.375	4.124	IP STUD M8 x 35mm (Inside)
6	32.625	4.124	IP STUD M8 x 35mm (Inside)
7	49.375	28.500	IP STUD M8 x 35mm (Inside)
8	72.625	28.500	IP STUD M8 x 35mm (Inside)
9	49.375	4.124	IP STUD M8 x 35mm (Inside)
10	72.625	4.124	IP STUD M8 x 35mm (Inside)

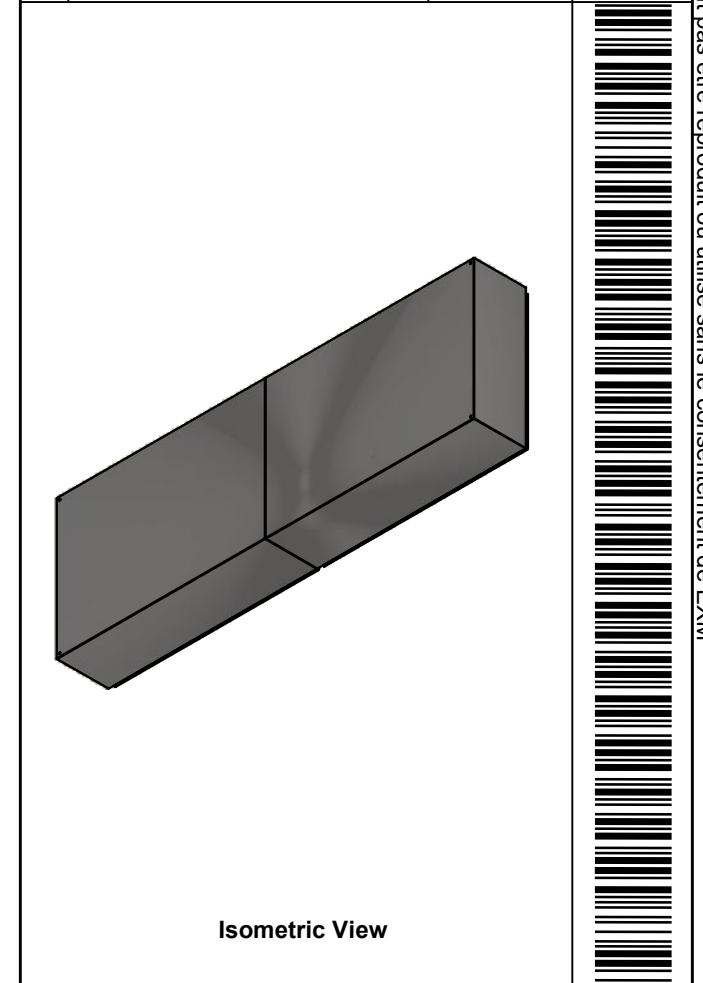


	Description	Status
	1412BTSS 32" x 96" x 12" Body	(NULL)
	Part Number Numéro Pièce	Rev.
	1412BTSS081604DTB	0 / 5
		17

This drawing is confidential and must not be reproduced or used without the consent of EXM

Ce dessin est confidentiel et ne doit pas être reproduit ou utilisé sans le consentement de EXM

No.	Revisions	Date	By/Par



Tél: (450) 979-4373 Fax: (450) 979-4626 www.exmweb.com		Flatness Aplatissement
		Max 3.0mm
Customer Client		Date
Drawn By Dessiné Par BoxCad: BoxCad		Date 10/25/2022
Material Matière 14 Ga Stainless Steel 304 (1.7mm)		
Color Couleur Unpainted	Finish Fini Brushed	
Description 1412BTSS 32" x 96" x 12" Body		Detail Rev.
Part Number Numéro Pièce 1412BTSS081604DTB		Rev. 0

1	1412BTSS081604DTB-P	0	1412BTSS 32" x 96" x 12" Body Part
1	1412BTSS081604DTE-P	0	1412BTSS 32" x 96" x 12" Right Body Part
1	STK-G-00701	0	1" x 1/4" Self-Adhesive Neoprene Gasket
10	STK-Q-00260	1	M6 x 13mm Carriage Bolt
10	STK-Q-07220	1	M6 Nylon Insert Lock Nut
10	STK-Q-16020	1	Stud M8 x 35mm Stainless Steel
2	STK-Q-16095	0	M6 x 16mm Stainless Steel Ground Stud
1	STK-S-00100	0	3.5" x 2" Silver Milar Flexcon Sticker
Qty	Part Number	Rev	Description
Parts List			

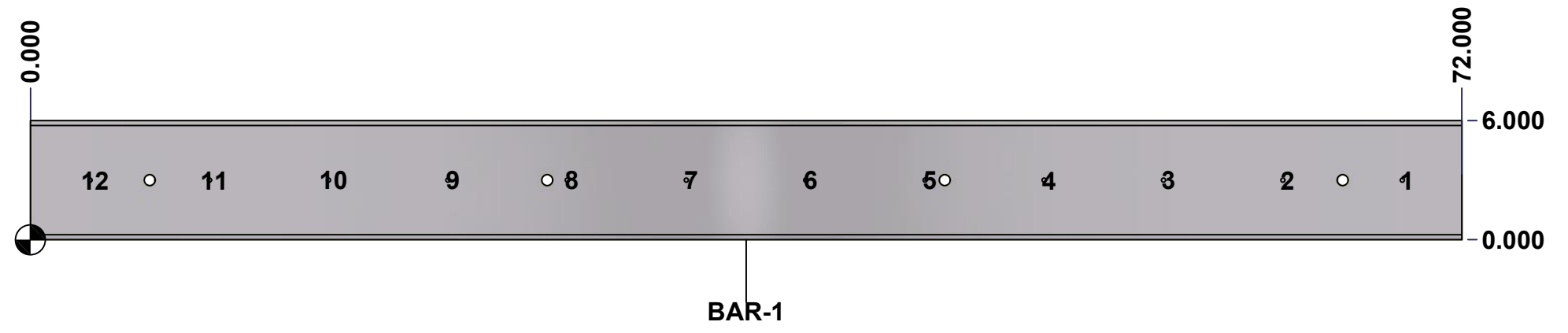
This drawing is confidential and must not be reproduced or used without the consent of Eurobox

Ce dessin est confidentiel et ne doit pas être reproduit ou utilisé sans le consentement de Eurobox

STANDARD FEATURES ARE NOT LISTED IN THIS HOLE TABLE

HOLE TABLE - FRONT VIEW (CUSTOM FEATURE ONLY)

CUT-OUT	XDIM	YDIM	DESCRIPTION
1	69.000	3.000	RND Ø0.201 THREAD 1/4-20 UNC
2	63.000	3.000	RND Ø0.201 THREAD 1/4-20 UNC
3	57.000	3.000	RND Ø0.201 THREAD 1/4-20 UNC
4	51.000	3.000	RND Ø0.201 THREAD 1/4-20 UNC
5	45.000	3.000	RND Ø0.201 THREAD 1/4-20 UNC
6	39.000	3.000	RND Ø0.201 THREAD 1/4-20 UNC
7	33.000	3.000	RND Ø0.201 THREAD 1/4-20 UNC
8	27.000	3.000	RND Ø0.201 THREAD 1/4-20 UNC
9	21.000	3.000	RND Ø0.201 THREAD 1/4-20 UNC
10	15.000	3.000	RND Ø0.201 THREAD 1/4-20 UNC
11	9.000	3.000	RND Ø0.201 THREAD 1/4-20 UNC
12	3.000	3.000	RND Ø0.201 THREAD 1/4-20 UNC



	Description	Status
	Rounded Edge Aluminum Bar 1/2" x 6"	(NULL)
	Part Number Numéro Pièce	Rev.
	1412BTSS081604DTBAR1-P	7
	0	17

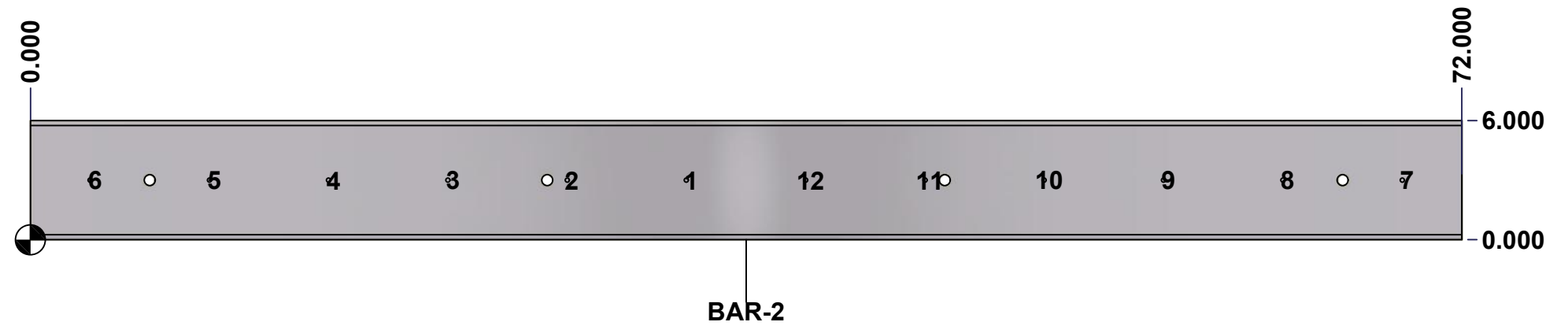
This drawing is confidential and must not be reproduced or used without the consent of Eurobox

Ce dessin est confidentiel et ne doit pas être reproduit ou utilisé sans le consentement de Eurobox

STANDARD FEATURES ARE NOT LISTED IN THIS HOLE TABLE

HOLE TABLE - FRONT VIEW (CUSTOM FEATURE ONLY)

CUT-OUT	XDIM	YDIM	DESCRIPTION
1	33.000	3.000	RND Ø0.201 THREAD 1/4-20 UNC
2	27.000	3.000	RND Ø0.201 THREAD 1/4-20 UNC
3	21.000	3.000	RND Ø0.201 THREAD 1/4-20 UNC
4	15.000	3.000	RND Ø0.201 THREAD 1/4-20 UNC
5	9.000	3.000	RND Ø0.201 THREAD 1/4-20 UNC
6	3.000	3.000	RND Ø0.201 THREAD 1/4-20 UNC
7	69.000	3.000	RND Ø0.201 THREAD 1/4-20 UNC
8	63.000	3.000	RND Ø0.201 THREAD 1/4-20 UNC
9	57.000	3.000	RND Ø0.201 THREAD 1/4-20 UNC
10	51.000	3.000	RND Ø0.201 THREAD 1/4-20 UNC
11	45.000	3.000	RND Ø0.201 THREAD 1/4-20 UNC
12	39.000	3.000	RND Ø0.201 THREAD 1/4-20 UNC

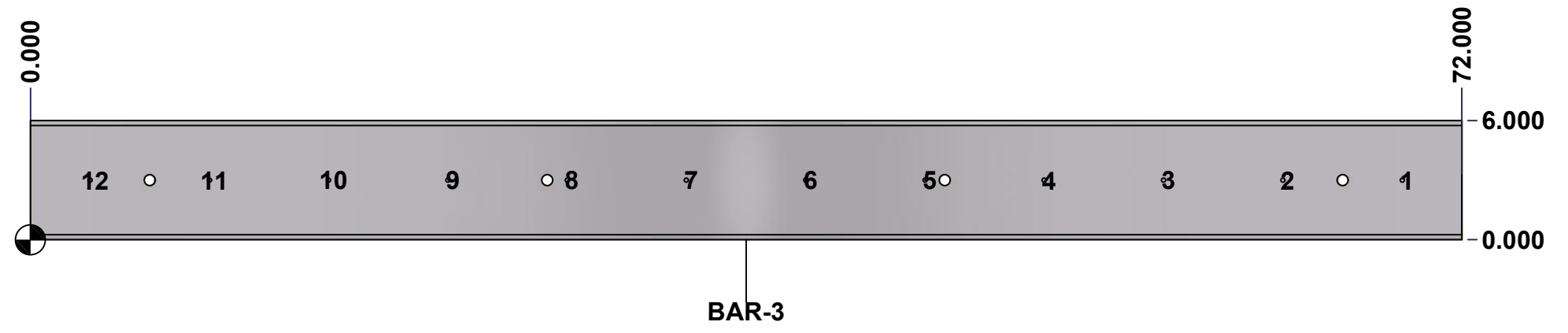


	Description	Status
	Rounded Edge Aluminum Bar 1/2" x 6"	(NULL)
	Part Number Numéro Pièce	Rev.
	1412BTSS081604DTBAR2-P	8
	0	17

This drawing is confidential and must not be reproduced or used without the consent of Eurobox

Ce dessin est confidentiel et ne doit pas être reproduit ou utilisé sans le consentement de Eurobox

STANDARD FEATURES ARE NOT LISTED IN THIS HOLE TABLE			
HOLE TABLE - FRONT VIEW (CUSTOM FEATURE ONLY)			
CUT-OUT	XDIM	YDIM	DESCRIPTION
1	69.000	3.000	RND Ø0.201 THREAD 1/4-20 UNC
2	63.000	3.000	RND Ø0.201 THREAD 1/4-20 UNC
3	57.000	3.000	RND Ø0.201 THREAD 1/4-20 UNC
4	51.000	3.000	RND Ø0.201 THREAD 1/4-20 UNC
5	45.000	3.000	RND Ø0.201 THREAD 1/4-20 UNC
6	39.000	3.000	RND Ø0.201 THREAD 1/4-20 UNC
7	33.000	3.000	RND Ø0.201 THREAD 1/4-20 UNC
8	27.000	3.000	RND Ø0.201 THREAD 1/4-20 UNC
9	21.000	3.000	RND Ø0.201 THREAD 1/4-20 UNC
10	15.000	3.000	RND Ø0.201 THREAD 1/4-20 UNC
11	9.000	3.000	RND Ø0.201 THREAD 1/4-20 UNC
12	3.000	3.000	RND Ø0.201 THREAD 1/4-20 UNC

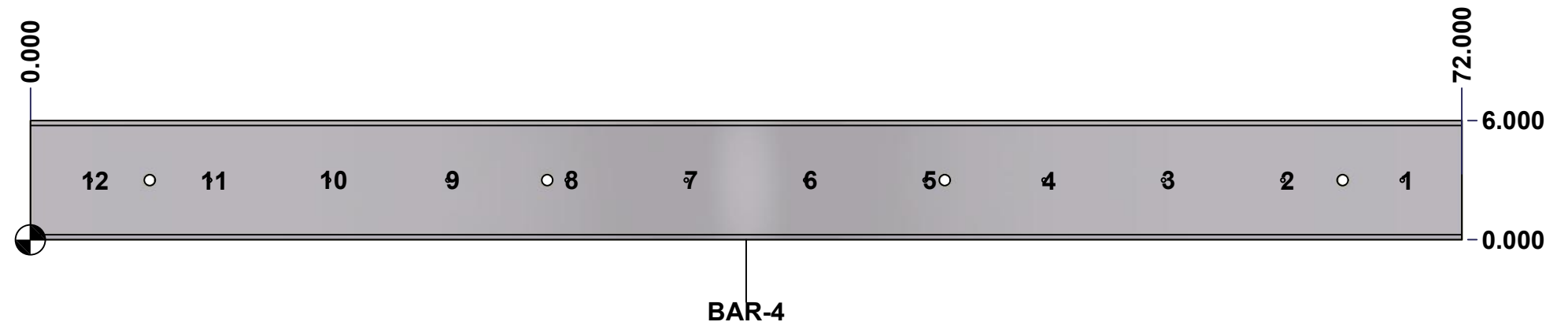


	Description	Status	
	Rounded Edge Aluminum Bar 1/2" x 6"	(NULL)	
	Part Number Numéro Pièce	Rev.	
	1412BTSS081604DTBAR3-P	0	9
			17

This drawing is confidential and must not be reproduced or used without the consent of Eurobox

Ce dessin est confidentiel et ne doit pas être reproduit ou utilisé sans le consentement de Eurobox

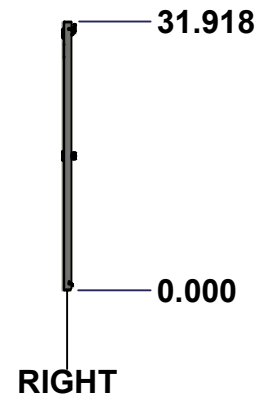
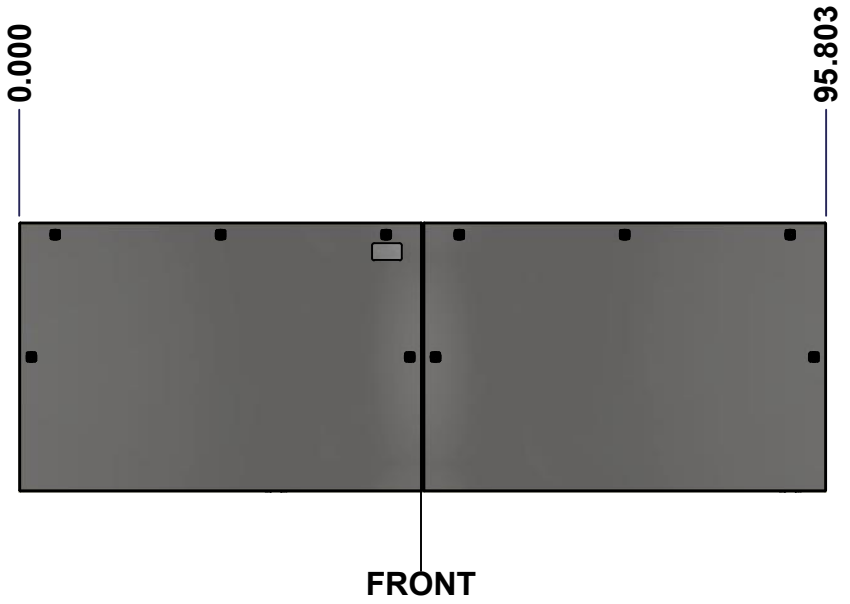
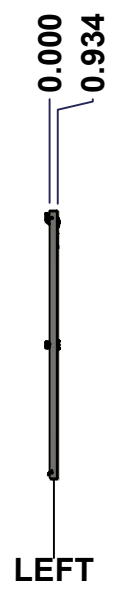
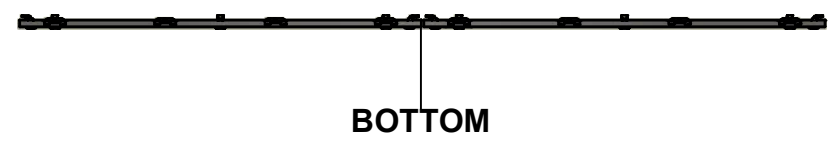
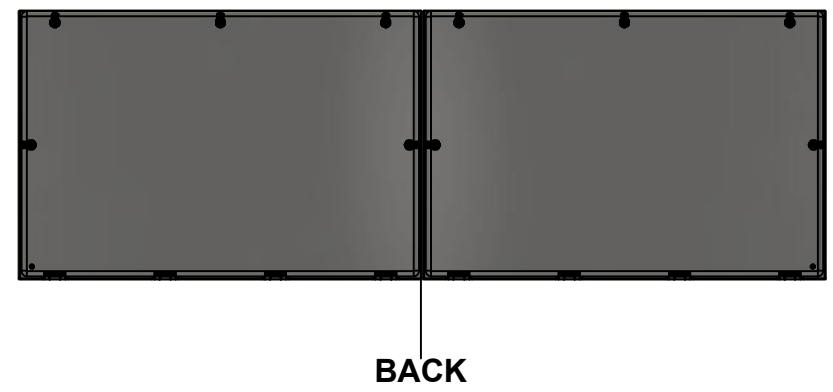
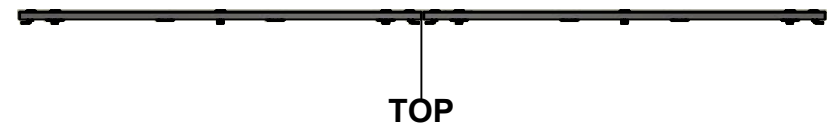
STANDARD FEATURES ARE NOT LISTED IN THIS HOLE TABLE			
HOLE TABLE - FRONT VIEW (CUSTOM FEATURE ONLY)			
CUT-OUT	XDIM	YDIM	DESCRIPTION
1	69.000	3.000	RND Ø0.201 THREAD 1/4-20 UNC
2	63.000	3.000	RND Ø0.201 THREAD 1/4-20 UNC
3	57.000	3.000	RND Ø0.201 THREAD 1/4-20 UNC
4	51.000	3.000	RND Ø0.201 THREAD 1/4-20 UNC
5	45.000	3.000	RND Ø0.201 THREAD 1/4-20 UNC
6	39.000	3.000	RND Ø0.201 THREAD 1/4-20 UNC
7	33.000	3.000	RND Ø0.201 THREAD 1/4-20 UNC
8	27.000	3.000	RND Ø0.201 THREAD 1/4-20 UNC
9	21.000	3.000	RND Ø0.201 THREAD 1/4-20 UNC
10	15.000	3.000	RND Ø0.201 THREAD 1/4-20 UNC
11	9.000	3.000	RND Ø0.201 THREAD 1/4-20 UNC
12	3.000	3.000	RND Ø0.201 THREAD 1/4-20 UNC



	Description	Status	
	Rounded Edge Aluminum Bar 1/2" x 6"	(NULL)	
	Part Number Numéro Pièce	Rev.	
	1412BTSS081604DTBAR4-P	0	10
			17

This drawing is confidential and must not be reproduced or used without the consent of EXM

Ce dessin est confidentiel et ne doit pas être reproduit ou utilisé sans le consentement de EXM



No.	Revisions	Date	By/Par

Isometric View

Tél: (450) 979-4373 Fax: (450) 979-4626 www.exmweb.com		Flatness Aplatissement
		Max 3.0mm
Customer Client		Date
Drawn By Dessiné Par BoxCad: BoxCad		Date 10/25/2022
Material Matière 14 Ga Stainless Steel 304 (1.7mm)		
Color Couleur Unpainted	Finish Fini Brushed	
Description 1412BTSS 32" x 96" Cover		Detail Rev.
Part Number Numéro Pièce 1412BTSS081604DTC		Rev. 11
SEE BILL OF MATERIAL ON LAST PAGE		0 17

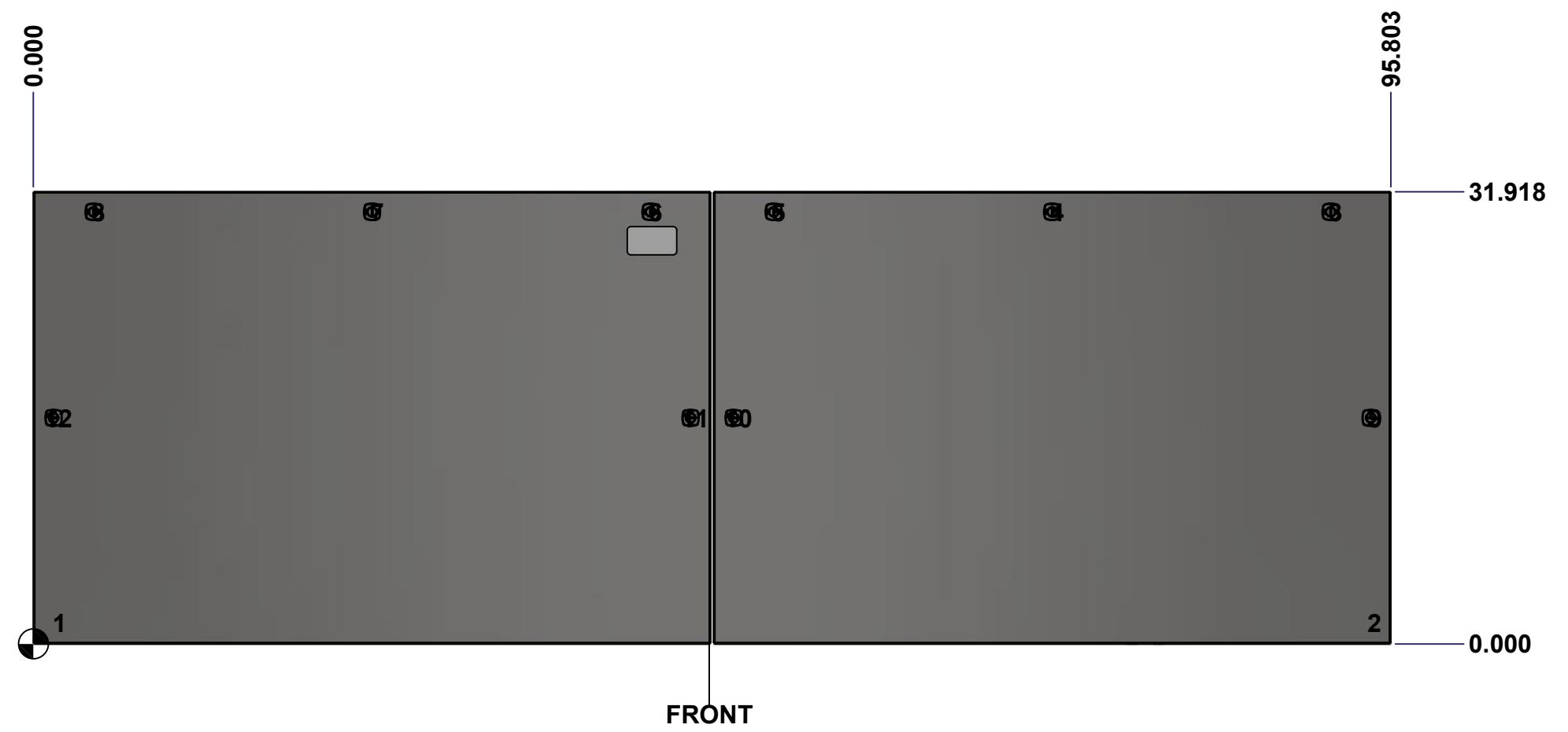
This drawing is confidential and must not be reproduced or used without the consent of Eurobox

Ce dessin est confidentiel et ne doit pas être reproduit ou utilisé sans le consentement de Eurobox

STANDARD FEATURES ARE NOT LISTED IN THIS HOLE TABLE

HOLE TABLE - FRONT VIEW (CUSTOM FEATURE ONLY)

CUT-OUT	XDIM	YDIM	DESCRIPTION
1	1.500	1.486	GND STUD M6 x 16mm (Inside)
2	94.303	1.486	GND STUD M6 x 16mm (Inside)
3	91.553	30.494	LOCK 880 SCQ4-SLSS6 @ 90.0°
4	71.902	30.494	LOCK 880 SCQ4-SLSS6 @ 90.0°
5	52.250	30.494	LOCK 880 SCQ4-SLSS6 @ 90.0°
6	43.553	30.494	LOCK 880 SCQ4-SLSS6 @ 90.0°
7	23.902	30.494	LOCK 880 SCQ4-SLSS6 @ 90.0°
8	4.250	30.494	LOCK 880 SCQ4-SLSS6 @ 90.0°
9	94.379	15.959	LOCK 880 SCQ4-SLSS6 @ 0.0°
10	49.424	15.959	LOCK 880 SCQ4-SLSS6 @ 180.0°
11	46.379	15.959	LOCK 880 SCQ4-SLSS6 @ 0.0°
12	1.424	15.959	LOCK 880 SCQ4-SLSS6 @ 180.0°

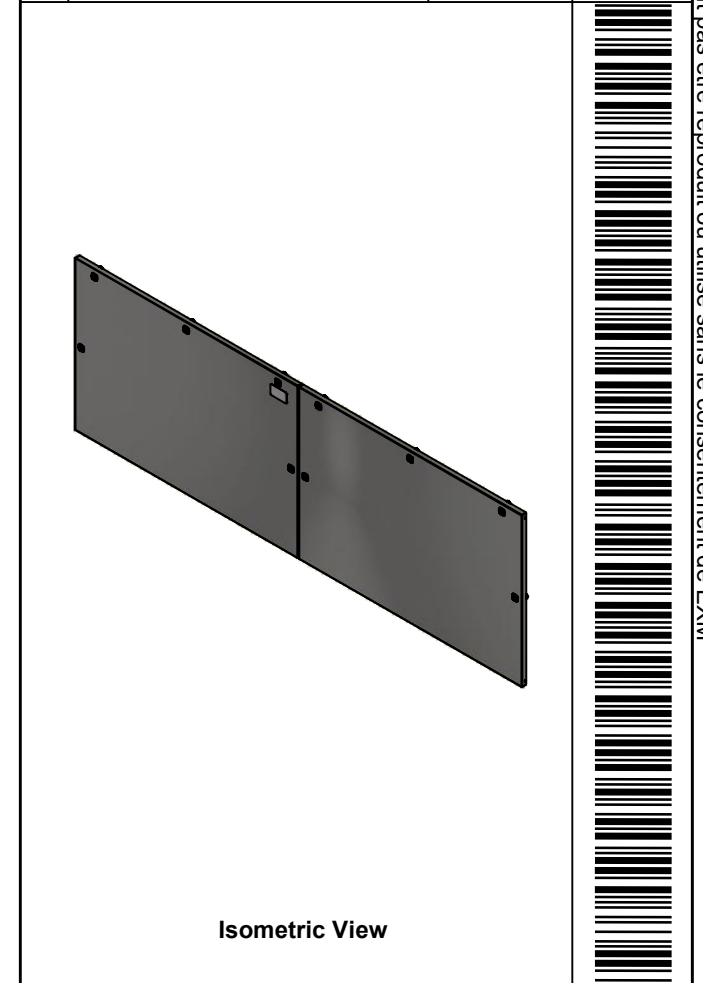


	Description 1412BTSS 32" x 96" Cover	Status (NULL)
	Part Number Numéro Pièce 1412BTSS081604DTC	Rev. 0

This drawing is confidential and must not be reproduced or used without the consent of EXM

Ce dessin est confidentiel et ne doit pas être reproduit ou utilisé sans le consentement de EXM

No.	Revisions	Date	By/Par



 Tél: (450) 979-4373 Fax: (450) 979-4626 www.exmweb.com	Flatness Aplatissement
	Max 3.0mm
	Projection
	

Customer Client	Date
Drawn By Dessiné Par	Date

Material
Matière: 14 Ga Stainless Steel 304 (1.7mm)

Color Couleur	Unpainted	Finish Fini	Brushed
------------------	-----------	----------------	---------

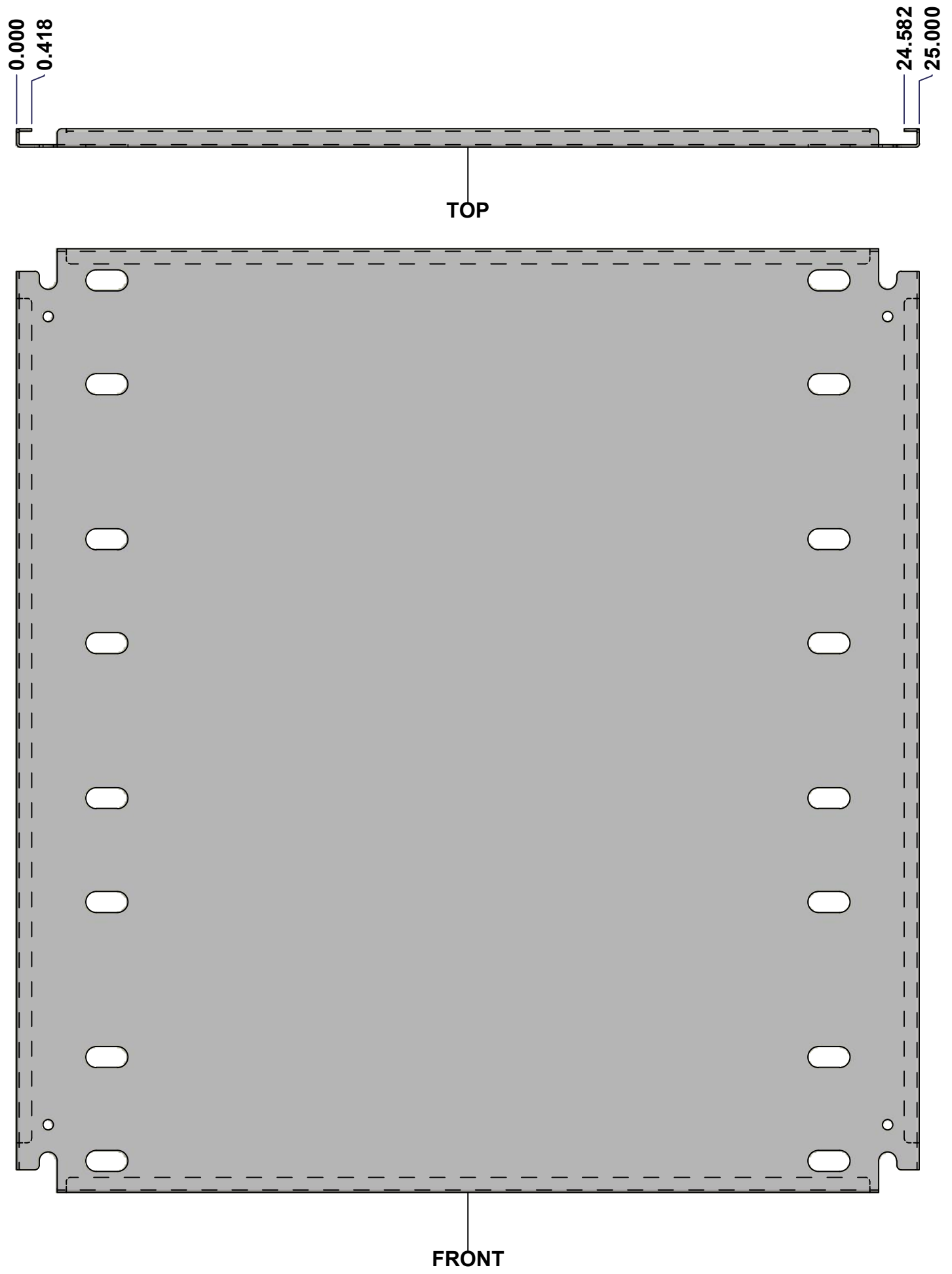
Description	Detail Rev.
1412BTSS 32" x 96" Cover	

Part Number Numéro Pièce	Rev.	13
1412BTSS081604DTC	0	17

Qty	Part Name	Rev	Description
2	1412BTSS081604DTG	0	1412BTSS 32" x 96" Cover Gasket
8	STK-K-09850	6	5412 ESS Hinge with 2 Captive Hinge Pins
2	STK-Q-16095	0	M6 x 16mm Stainless Steel Ground Stud
1	STK-S-00100	0	3.5" x 2" Silver Milar Flexcon Sticker
1	1412BTSS081604DTC-P	0	1412BTSS 32" x 96" Cover Part
1	1412BTSS081604DTF-P	0	1412BTSS 32" x 96" Right Cover Part
10	880 SCQ4-SLSS6	7	5412 ESS 1/4 Turn Lock
Parts List			

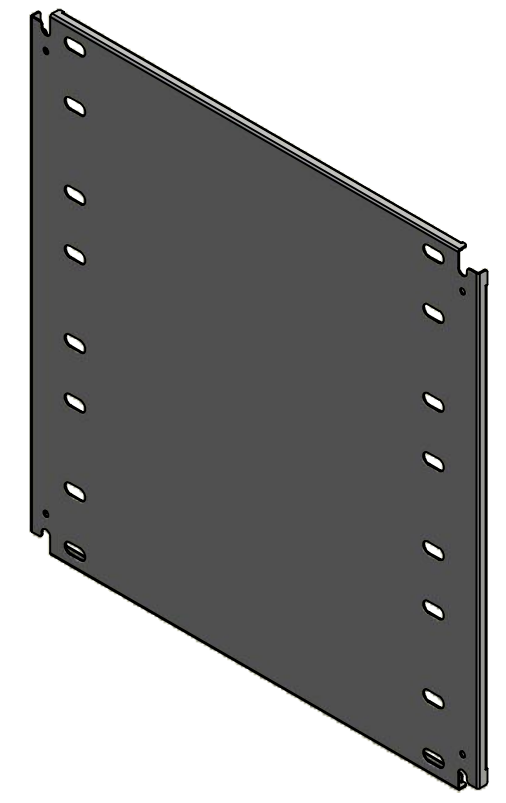
This drawing is confidential and must not be reproduced or used without the consent of EXM

Ce dessin est confidentiel et ne doit pas être reproduit ou utilisé sans le consentement de EXM



SEE BILL OF MATERIAL ON LAST PAGE

No.	Revisions	Date	By/Par



Isometric View

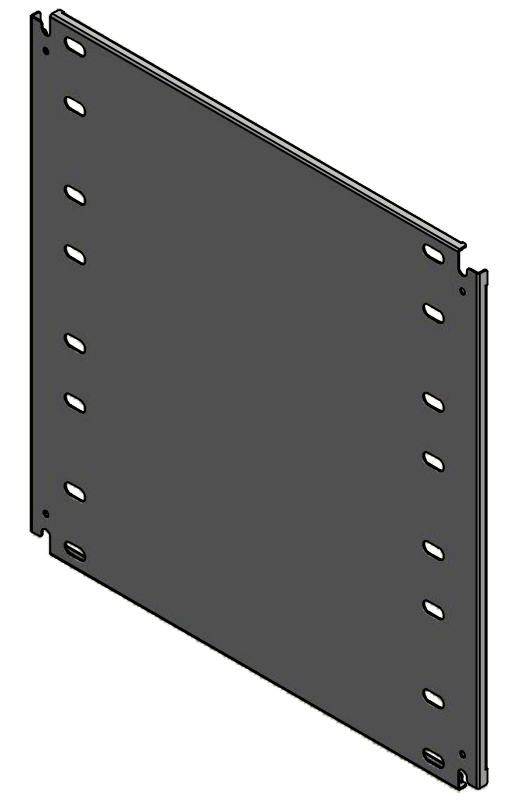


	Flatness Aplatissement Max 3.0mm
	Projection
Customer Client	Date
Drawn By Dessiné Par BoxCad: BoxCad	Date 10/25/2022
Material Matière 14 Ga Cold Rolled A1008 CS Type B (1.7mm)	
Color Couleur White RAL9003	Finish Fini Smooth
Description 1412BTSS 26.126" x 65" Inner Panel	
Part Number Numéro Pièce 1412BTSS081604DTIP1	Detail Rev. Rev. 14 0

This drawing is confidential and must not be reproduced or used without the consent of EXM


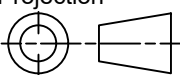
Ce dessin est confidentiel et ne doit pas être reproduit ou utilisé sans le consentement de EXM

No.	Revisions	Date	By/Par



Isometric View

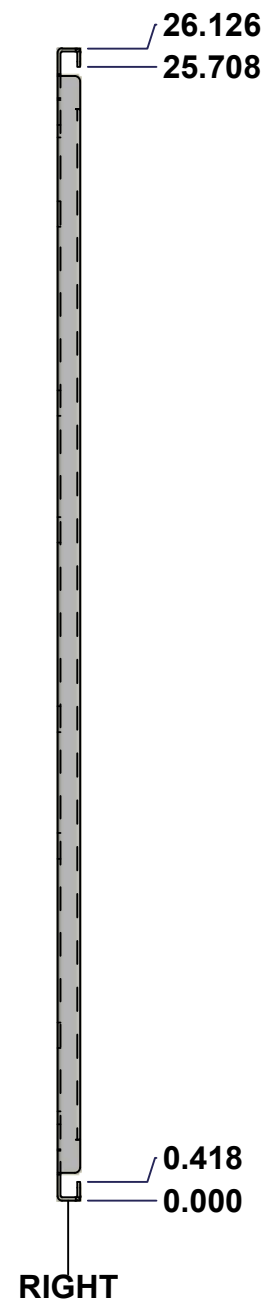
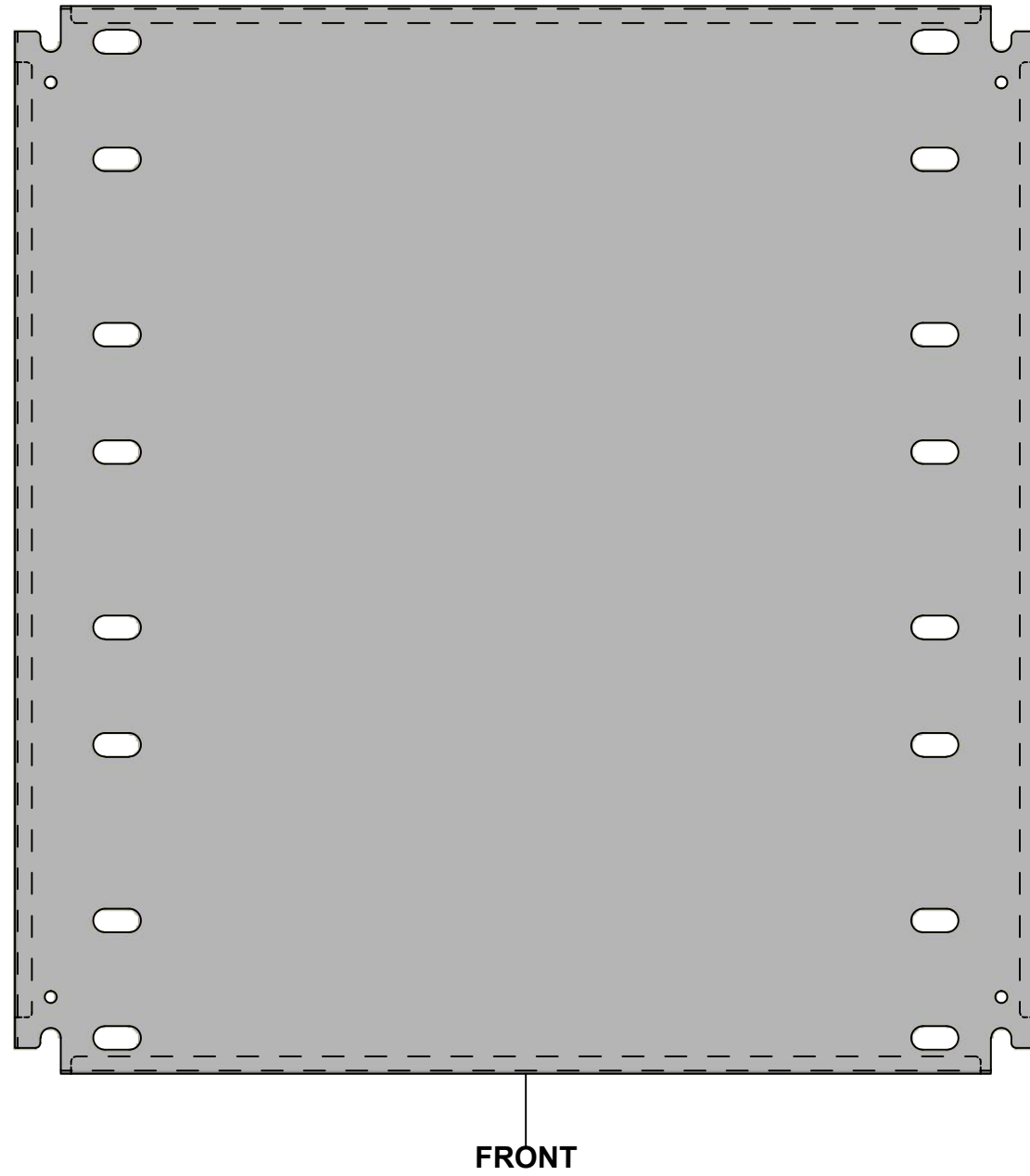
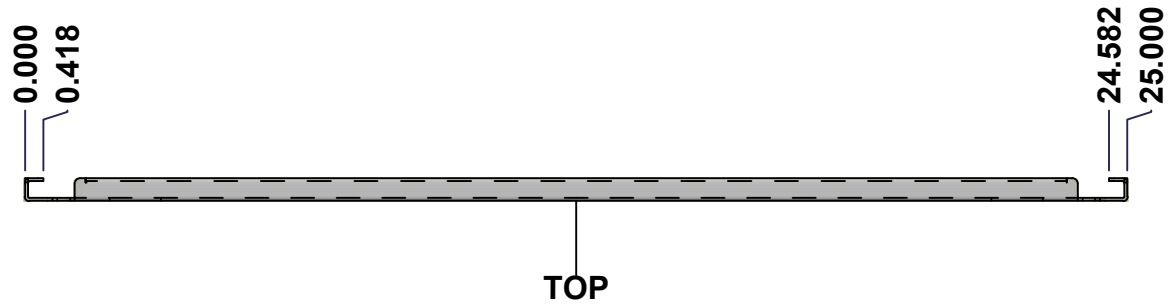


 Tél: (450) 979-4373 Fax: (450) 979-4626 www.exmweb.com	Flatness Aplatissement Max 3.0mm
	Projection 
Customer Client	Date
Drawn By Dessiné Par BoxCad: BoxCad	Date 10/25/2022
Material Matière 14 Ga Cold Rolled A1008 CS Type B (1.7mm)	
Color Couleur White RAL9003	Finish Fini Smooth
Description 1412BTSS 26.126" x 65" Inner Panel	
Part Number Numéro Pièce 1412BTSS081604DTIP1	Detail Rev. Rev. 15 0 17

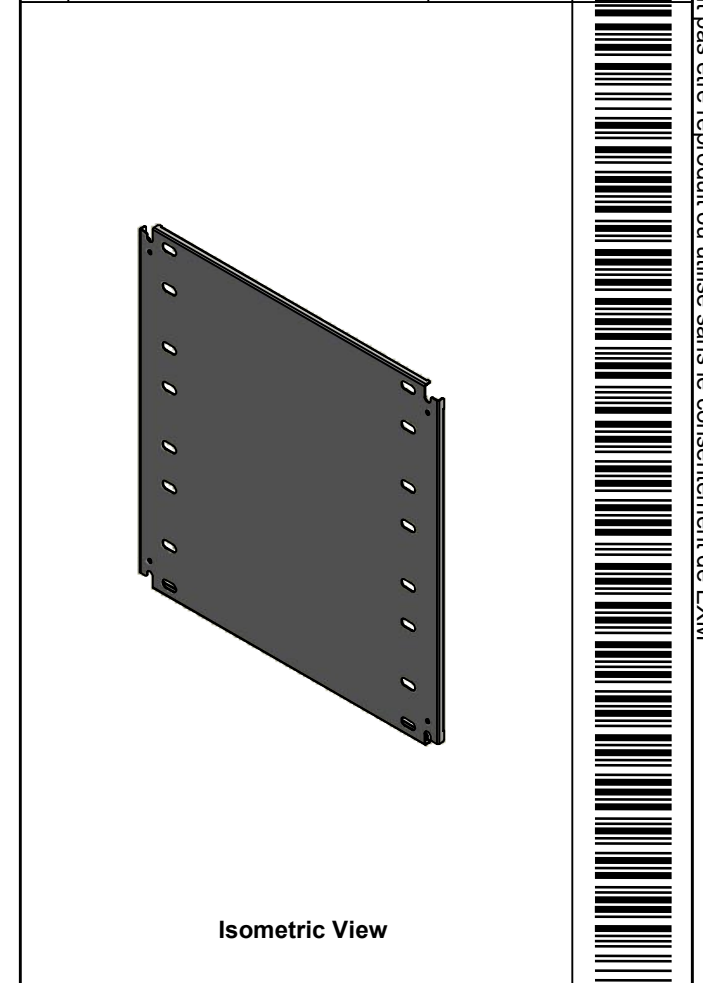
Qty	Part Number	Rev	Description
1	STK-P-02401S	0	Powder Paint (White / Smooth)
1	1412BTSS081604DTIP1-P	0	1412BTSS 26.126" x 96" Inner Panel Part
Parts List			

This drawing is confidential and must not be reproduced or used without the consent of EXM

Ce dessin est confidentiel et ne doit pas être reproduit ou utilisé sans le consentement de EXM



No.	Revisions	Date	By/Par



Tél: (450) 979-4373 Fax: (450) 979-4626 www.exmweb.com		Flatness Aplatissement Max 3.0mm Projection
Customer Client	Date	
Drawn By Dessiné Par	BoxCad: BoxCad	Date 10/25/2022
Material Matière	14 Ga Cold Rolled A1008 CS Type B (1.7mm)	
Color Couleur	White RAL9003	Finish Fini Smooth
Description 1412BTSS 26.126" x 28" Right Inner Panel		Detail Rev.
Part Number Numéro Pièce	Rev. 0	16 17

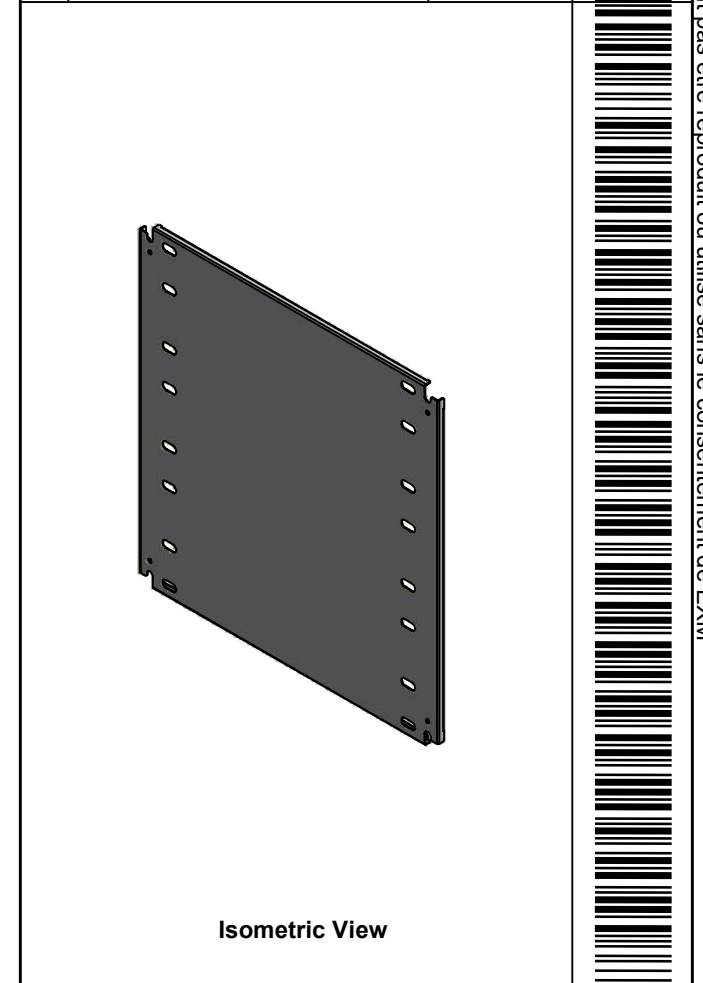
SEE BILL OF MATERIAL ON LAST PAGE


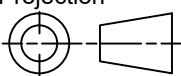
1412BTSS081604DTIP2

This drawing is confidential and must not be reproduced or used without the consent of EXM

Ce dessin est confidentiel et ne doit pas être reproduit ou utilisé sans le consentement de EXM

No.	Revisions	Date	By/Par



 Tél: (450) 979-4373 Fax: (450) 979-4626 www.exmweb.com		Flatness Aplatissement Max 3.0mm Projection 
Customer Client	Date	
Drawn By Dessiné Par	BoxCad: BoxCad	Date 10/25/2022
Material Matière	14 Ga Cold Rolled A1008 CS Type B (1.7mm)	
Color Couleur	White RAL9003	Finish Fini Smooth
Description		Detail Rev.
1412BTSS 26.126" x 28" Right Inner Panel		
Part Number Numéro Pièce	Rev. 0	17 / 17
1412BTSS081604DTIP2		

Qty	Part Number	Rev	Description
1	STK-P-02401S	0	Powder Paint (White / Smooth)
1	1412BTSS081604DTIP2-P	0	1412BTSS 26.126" x 96" Right Inner Panel Part
Parts List			