

This drawing is confidential and must not be reproduced or used without the consent of EXM

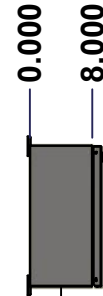
Ce dessin est confidentiel et ne doit pas être reproduit ou utilisé sans le consentement de EXM



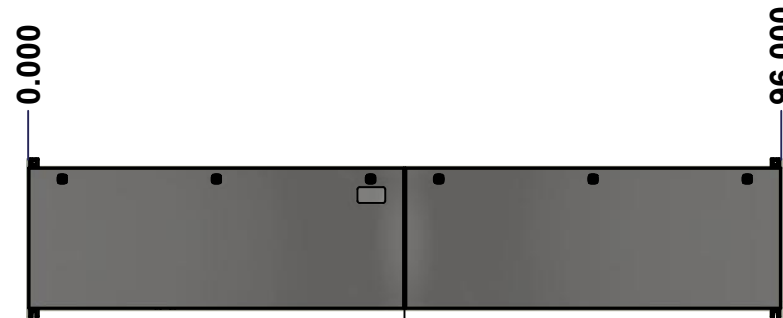
TOP



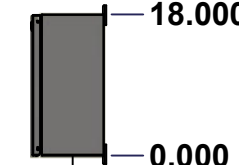
LEFT



LEFT



FRONT

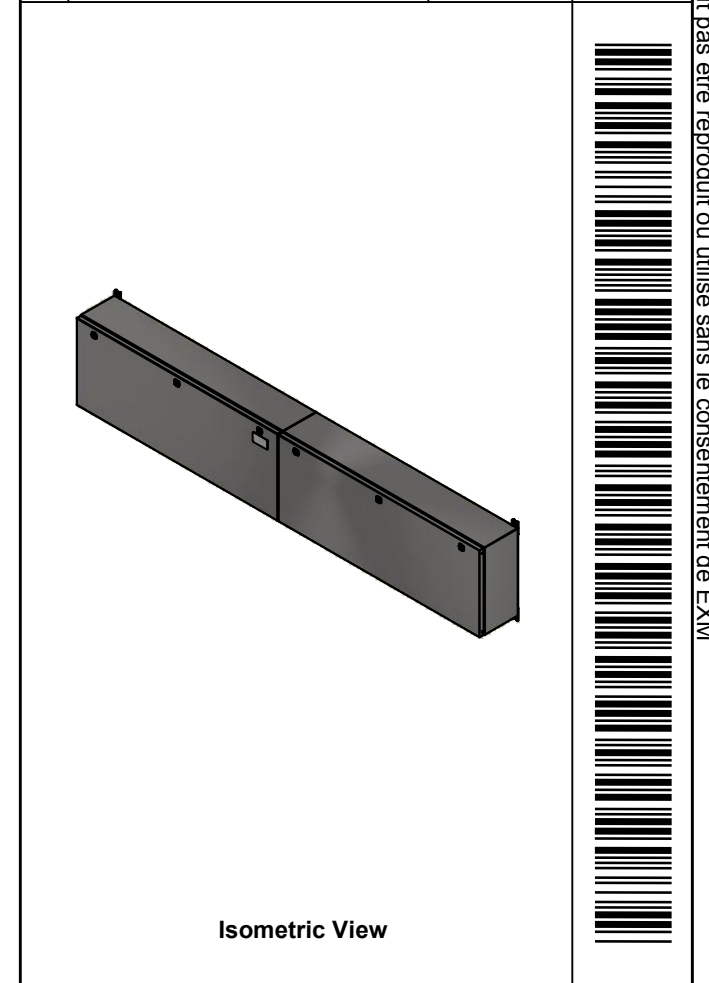


RIGHT


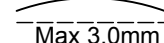
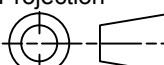


BOTTOM

No.	Revisions	Date	By/Par



Isometric View

 Tél: (450) 979-4373 Fax: (450) 979-4626 www.exmweb.com		Flatness Aplatissement  Max 3.0mm Projection 
Customer Client	Date	
Drawn By Dessiné Par	BoxCad: BoxCad	Date 25-Oct-22
Material Matière	14 Ga Stainless Steel 304 (1.7mm)	
Color Couleur	Unpainted	Finish Fini Brushed
Description 1412BTSS 225A - 3Wires x 96" Assembly		Detail Rev.
Part Number Numéro Pièce	Rev. 0	1 / 16

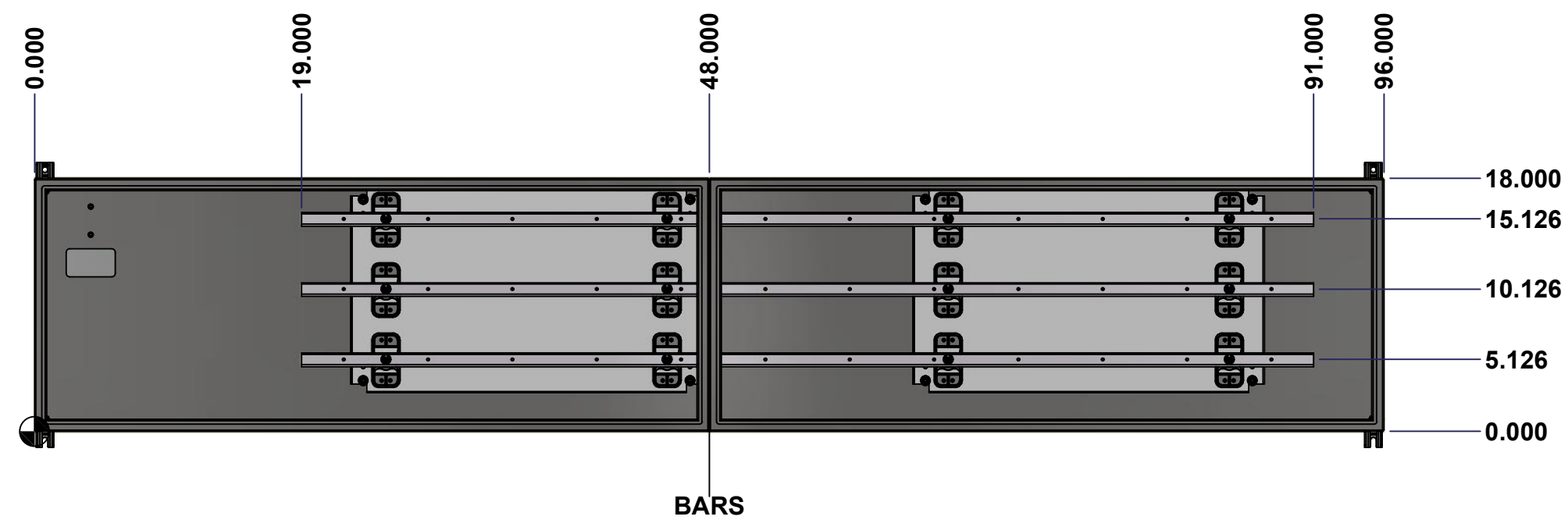
SEE BILL OF MATERIAL ON LAST PAGE

1412BTSS08203DT

This drawing is confidential and must not be reproduced or used without the consent of Eurobex

STANDARD FEATURES ARE NOT LISTED IN THIS HOLE TABLE

Ce dessin est confidentiel et ne doit pas être reproduit ou utilisé sans le consentement de Eurobex



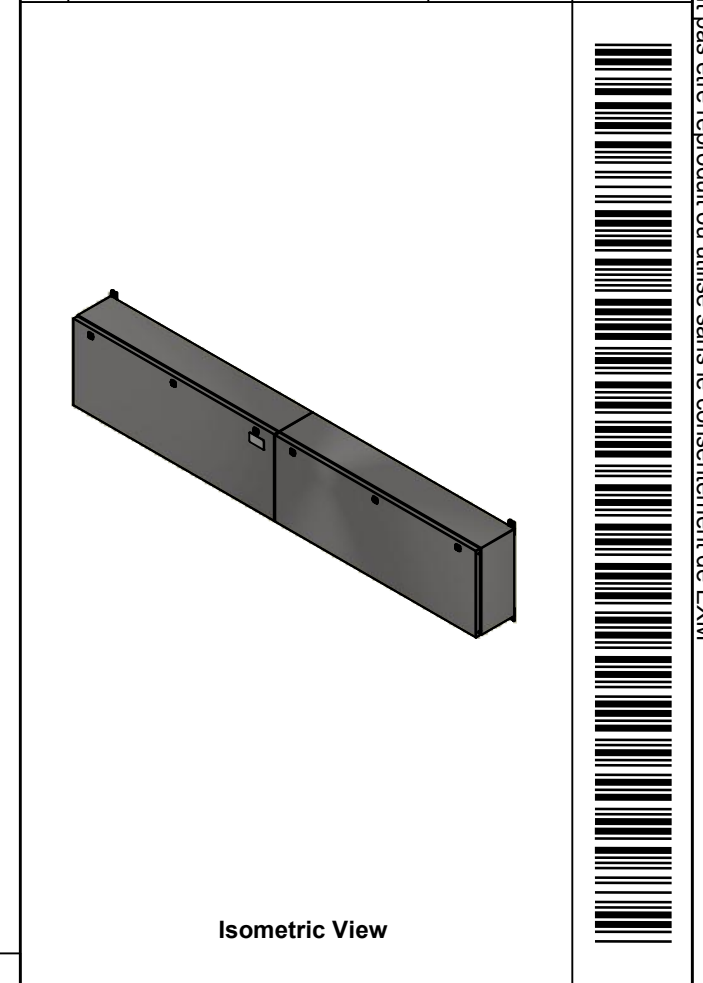
	Description	Status
	1412BTSS 225A - 3Wires x 96" Assembly	(NULL)
	Part Number	Rev.
	1412BTSS08203DT	2
		0
		16

This drawing is confidential and must not be reproduced or used without the consent of EXM

Ce dessin est confidentiel et ne doit pas être reproduit ou utilisé sans le consentement de EXM

NOTE	
ITEM	DESCRIPTION
1	NEMA 4X Enclosure
2	C/W Standard ground studs on box and cover
3	W/O Standard door stiffener
4	C/W Special inner panel (Sold separately)
5	C/W Standard inner panel mounting studs

No.	Revisions	Date	By/Par



PACKING		
ITEM	QTY	DESCRIPTION
Cardboard sleeve	2	Top and Bottom
Cardboard strip	2	Between back of enclosure and inner panel
Plastic bag	1	To protect cover surface and inside gasket
Cardboard corner	4	To reinforced for the plastic strap tightening
Plastic strap - Black	2	To Squeeze 2 cardboard sleeve together
Packaging label	3	White label with PN
Plastic strap- Green	2	To secure the enclosure to the wood pallet
Wood Pallet	1	2" deeper and 3" larger than enclosure size

8	STK-Q-04051-07	8	M6 x 7mm Stainless Steel Hexagon Socket Head Machine Screw with Nyseal
1	885 ESMF2	0	885 ESMF2 Stainless Steel Mounting Feet Kit
1	1412BTSS08203DTIP2	0	1412BTSS 14.625" x 28" Right Inner Panel
1	1412BTSS08203DTBAR1-P	0	Rounded Edge Aluminum Bar 1/4" x 1"
1	1412BTSS08203DTBAR2-P	0	Rounded Edge Aluminum Bar 1/4" x 1"
1	1412BTSS08203DTBAR3-P	0	Rounded Edge Aluminum Bar 1/4" x 1"
1	1412BTSS08203DTIP1	0	1412BTSS 14.625" x 65" Inner Panel
12	STK-A-67400	0	Buss Bar Insulator Kit
1	STK-K-01800	5	5412 ES Accessory Kit
20	STK-Q-07310	2	Flange Lock Nut M8
8	STK-Q-07610	8	M8 Plastic Spacer 22.2mm
1	1412BTSS08203DTB	0	1412BTSS 18" x 96" x 8" Body
1	1412BTSS08203DTC	0	1412BTSS 18" x 96" Cover
Qty	Part Number	Rev	Description
Parts List			

	Tél: (450) 979-4373 Fax: (450) 979-4626 www.exmweb.com	Flatness Aplatissement Max 3.0mm
	Projection	
Customer Client	Date	
Drawn By Dessiné Par Material Matière	BoxCad: BoxCad 14 Ga Stainless Steel 304 (1.7mm)	Date 25-Oct-22
Color Couleur	Unpainted	Finish Fini Brushed
Description	Detail Rev.	
1412BTSS 225A - 3Wires x 96" Assembly		
Part Number Numéro Pièce	Rev.	3
1412BTSS08203DT	0	16

This drawing is confidential and must not be reproduced or used without the consent of EXM

Ce dessin est confidentiel et ne doit pas être reproduit ou utilisé sans le consentement de EXM



TOP



BACK



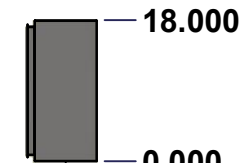
BOTTOM



LEFT

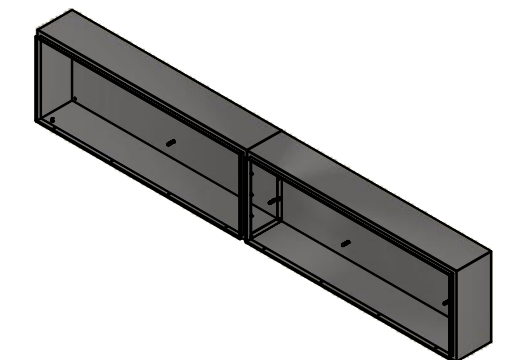


FRONT



RIGHT

No.	Revisions	Date	By/Par



Isometric View

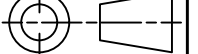


Tél: (450) 979-4373
 Fax: (450) 979-4626
www.exmweb.com

Flatness
Aplatissement

Max 3.0mm

Projection



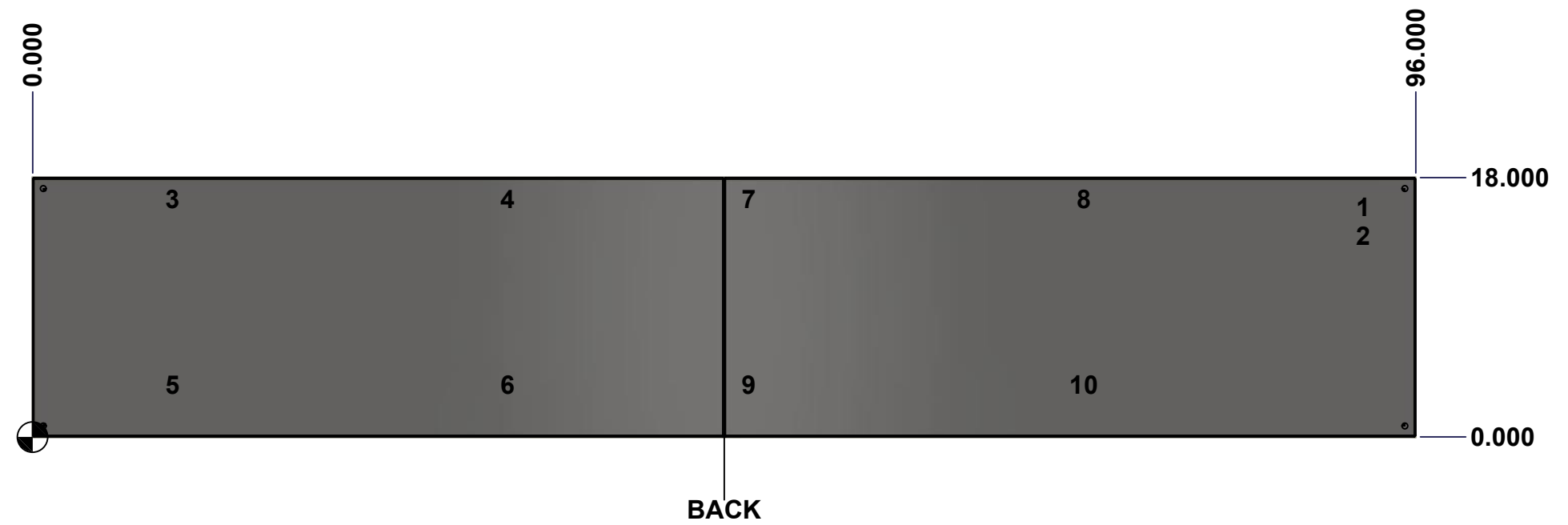
Customer Client	Date
Drawn By Dessiné Par BoxCad: BoxCad	Date 25-Oct-22
Material Matière 14 Ga Stainless Steel 304 (1.7mm)	
Color Couleur Unpainted	Finish Fini Brushed
Description 1412BTSS 18" x 96" x 8" Body	Detail Rev.
Part Number Numéro Pièce 1412BTSS08203DTB	Rev. 0
	4 / 16

SEE BILL OF MATERIAL ON LAST PAGE

This drawing is confidential and must not be reproduced or used without the consent of Eurobox

Ce dessin est confidentiel et ne doit pas être reproduit ou utilisé sans le consentement de Eurobox

STANDARD FEATURES ARE NOT LISTED IN THIS HOLE TABLE			
HOLE TABLE - BACK VIEW (CUSTOM FEATURE ONLY)			
CUT-OUT	XDIM	YDIM	DESCRIPTION
1	92.000	16.000	GND STUD M8 x 35mm (Inside)
2	92.000	14.000	GND STUD M8 x 35mm (Inside)
3	9.375	16.500	IP STUD M8 x 35mm (Inside)
4	32.625	16.500	IP STUD M8 x 35mm (Inside)
5	9.375	3.625	IP STUD M8 x 35mm (Inside)
6	32.625	3.625	IP STUD M8 x 35mm (Inside)
7	49.375	16.500	IP STUD M8 x 35mm (Inside)
8	72.625	16.500	IP STUD M8 x 35mm (Inside)
9	49.375	3.625	IP STUD M8 x 35mm (Inside)
10	72.625	3.625	IP STUD M8 x 35mm (Inside)

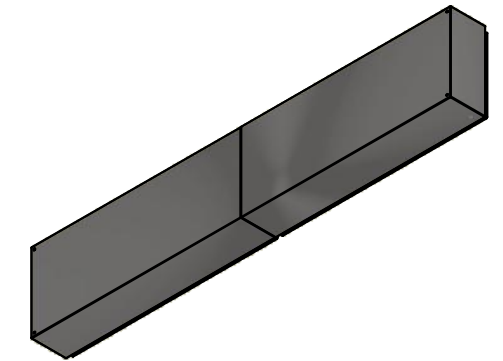


	Description	Status
	1412BTSS 18" x 96" x 8" Body	(NULL)
	Part Number Numéro Pièce	Rev.
	1412BTSS08203DTB	0 / 5
		16

This drawing is confidential and must not be reproduced or used without the consent of EXM


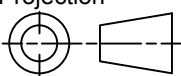
Ce dessin est confidentiel et ne doit pas être reproduit ou utilisé sans le consentement de EXM

No.	Revisions	Date	By/Par



Isometric View



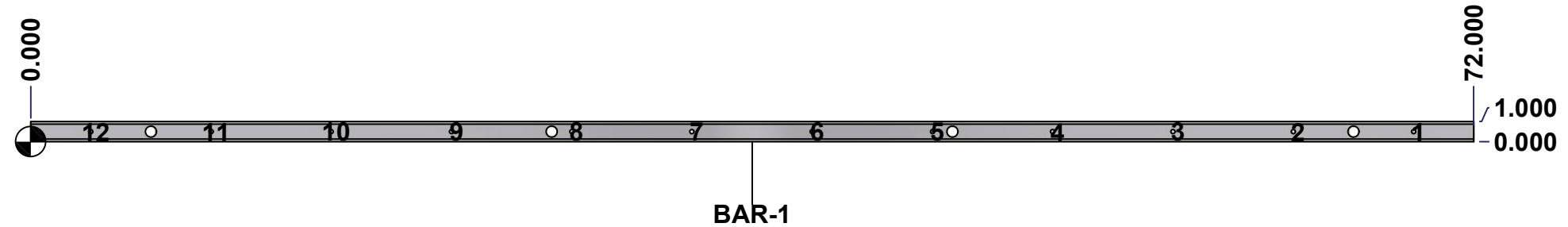
 Tél: (450) 979-4373 Fax: (450) 979-4626 www.exmweb.com		Flatness Aplatissement Max 3.0mm
Customer Client		Projection 
Drawn By Dessiné Par BoxCad: BoxCad		Date 25-Oct-22
Material Matière 14 Ga Stainless Steel 304 (1.7mm)		
Color Couleur Unpainted	Finish Fini Brushed	
Description 1412BTSS 18" x 96" x 8" Body		Detail Rev.
Part Number Numéro Pièce 1412BTSS08203DTB		Rev. 6 0

Qty	Part Number	Rev	Description
1	1412BTSS08203DTB-P	0	1412BTSS 18" x 96" x 8" Body Part
1	1412BTSS08203DTE-P	0	1412BTSS 18" x 96" x 8" Right Body Part
1	STK-G-00701	0	1" x 1/4" Self-Adhesive Neoprene Gasket
10	STK-Q-00260	1	M6 x 13mm Carriage Bolt
10	STK-Q-07220	1	M6 Nylon Insert Lock Nut
10	STK-Q-16020	1	Stud M8 x 35mm Stainless Steel
2	STK-Q-16095	0	M6 x 16mm Stainless Steel Ground Stud
1	STK-S-00100	0	3.5" x 2" Silver Milar Flexcon Sticker
Parts List			

This drawing is confidential and must not be reproduced or used without the consent of Eurobox

Ce dessin est confidentiel et ne doit pas être reproduit ou utilisé sans le consentement de Eurobox

STANDARD FEATURES ARE NOT LISTED IN THIS HOLE TABLE			
HOLE TABLE - FRONT VIEW (CUSTOM FEATURE ONLY)			
CUT-OUT	XDIM	YDIM	DESCRIPTION
1	69.000	0.500	RND Ø0.201 THREAD 1/4-20 UNC
2	63.000	0.500	RND Ø0.201 THREAD 1/4-20 UNC
3	57.000	0.500	RND Ø0.201 THREAD 1/4-20 UNC
4	51.000	0.500	RND Ø0.201 THREAD 1/4-20 UNC
5	45.000	0.500	RND Ø0.201 THREAD 1/4-20 UNC
6	39.000	0.500	RND Ø0.201 THREAD 1/4-20 UNC
7	33.000	0.500	RND Ø0.201 THREAD 1/4-20 UNC
8	27.000	0.500	RND Ø0.201 THREAD 1/4-20 UNC
9	21.000	0.500	RND Ø0.201 THREAD 1/4-20 UNC
10	15.000	0.500	RND Ø0.201 THREAD 1/4-20 UNC
11	9.000	0.500	RND Ø0.201 THREAD 1/4-20 UNC
12	3.000	0.500	RND Ø0.201 THREAD 1/4-20 UNC

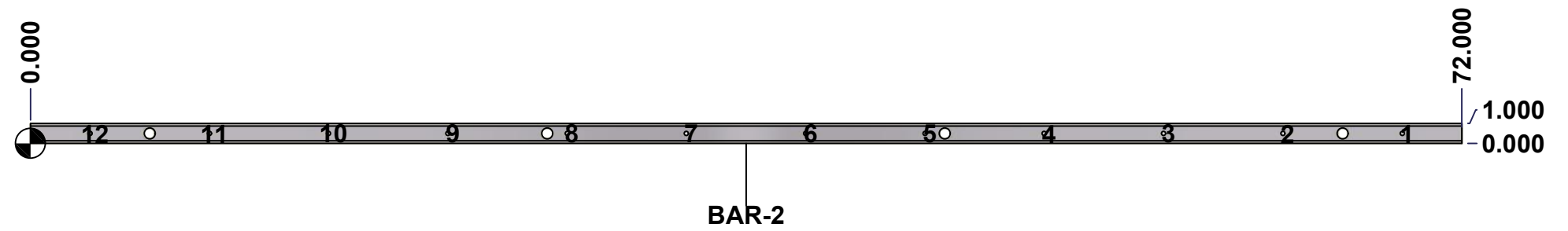


	Description	Status	
	Rounded Edge Aluminum Bar 1/4" x 1"	(NULL)	
	Part Number Numéro Pièce	Rev.	
	1412BTSS08203DTBAR1-P	0	7 16

This drawing is confidential and must not be reproduced or used without the consent of Eurobox

Ce dessin est confidentiel et ne doit pas être reproduit ou utilisé sans le consentement de Eurobox

STANDARD FEATURES ARE NOT LISTED IN THIS HOLE TABLE			
HOLE TABLE - FRONT VIEW (CUSTOM FEATURE ONLY)			
CUT-OUT	XDIM	YDIM	DESCRIPTION
1	69.000	0.500	RND Ø0.201 THREAD 1/4-20 UNC
2	63.000	0.500	RND Ø0.201 THREAD 1/4-20 UNC
3	57.000	0.500	RND Ø0.201 THREAD 1/4-20 UNC
4	51.000	0.500	RND Ø0.201 THREAD 1/4-20 UNC
5	45.000	0.500	RND Ø0.201 THREAD 1/4-20 UNC
6	39.000	0.500	RND Ø0.201 THREAD 1/4-20 UNC
7	33.000	0.500	RND Ø0.201 THREAD 1/4-20 UNC
8	27.000	0.500	RND Ø0.201 THREAD 1/4-20 UNC
9	21.000	0.500	RND Ø0.201 THREAD 1/4-20 UNC
10	15.000	0.500	RND Ø0.201 THREAD 1/4-20 UNC
11	9.000	0.500	RND Ø0.201 THREAD 1/4-20 UNC
12	3.000	0.500	RND Ø0.201 THREAD 1/4-20 UNC

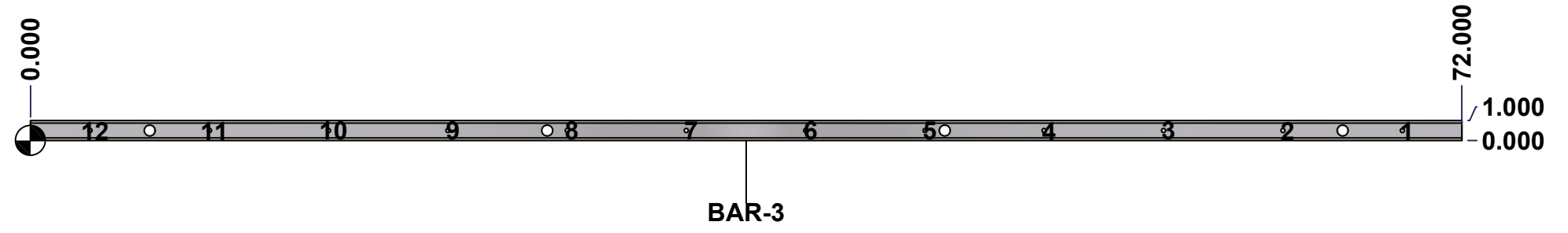


	Description	Status	
	Rounded Edge Aluminum Bar 1/4" x 1"	(NULL)	
	Part Number Numéro Pièce	Rev.	
	1412BTSS08203DTBAR2-P	0	8
			16

This drawing is confidential and must not be reproduced or used without the consent of Eurobox

Ce dessin est confidentiel et ne doit pas être reproduit ou utilisé sans le consentement de Eurobox

STANDARD FEATURES ARE NOT LISTED IN THIS HOLE TABLE			
HOLE TABLE - FRONT VIEW (CUSTOM FEATURE ONLY)			
CUT-OUT	XDIM	YDIM	DESCRIPTION
1	69.000	0.500	RND Ø0.201 THREAD 1/4-20 UNC
2	63.000	0.500	RND Ø0.201 THREAD 1/4-20 UNC
3	57.000	0.500	RND Ø0.201 THREAD 1/4-20 UNC
4	51.000	0.500	RND Ø0.201 THREAD 1/4-20 UNC
5	45.000	0.500	RND Ø0.201 THREAD 1/4-20 UNC
6	39.000	0.500	RND Ø0.201 THREAD 1/4-20 UNC
7	33.000	0.500	RND Ø0.201 THREAD 1/4-20 UNC
8	27.000	0.500	RND Ø0.201 THREAD 1/4-20 UNC
9	21.000	0.500	RND Ø0.201 THREAD 1/4-20 UNC
10	15.000	0.500	RND Ø0.201 THREAD 1/4-20 UNC
11	9.000	0.500	RND Ø0.201 THREAD 1/4-20 UNC
12	3.000	0.500	RND Ø0.201 THREAD 1/4-20 UNC



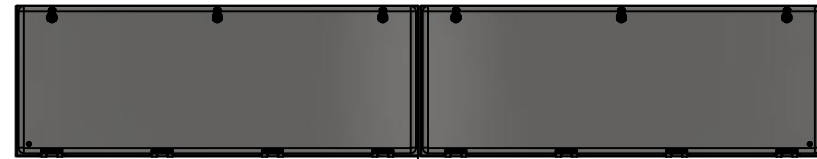
	Description	Status
	Rounded Edge Aluminum Bar 1/4" x 1"	(NULL)
	Part Number	Rev.
	1412BTSS08203DTBAR3-P	9
		0
		16

This drawing is confidential and must not be reproduced or used without the consent of EXM

Ce dessin est confidentiel et ne doit pas être reproduit ou utilisé sans le consentement de EXM



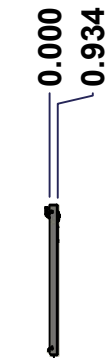
TOP



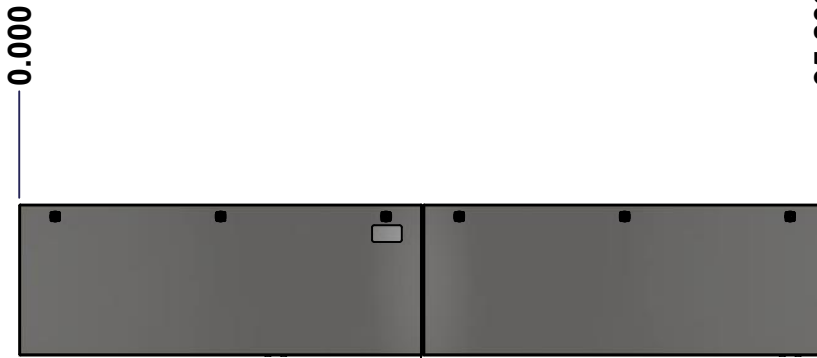
BACK



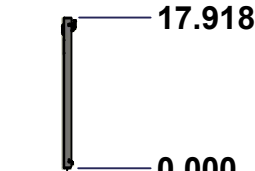
BOTTOM



LEFT

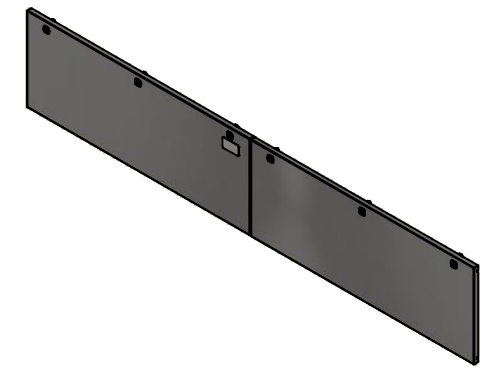


FRONT



RIGHT

No.	Revisions	Date	By/Par



Isometric View

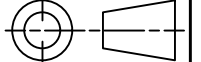


Tél: (450) 979-4373
 Fax: (450) 979-4626
www.exmweb.com

Flatness
Aplatissement

Max 3.0mm

Projection



Customer Client	Date
Drawn By Dessiné Par BoxCad: BoxCad	Date 25-Oct-22
Material Matière 14 Ga Stainless Steel 304 (1.7mm)	
Color Couleur Unpainted	Finish Fini Brushed
Description 1412BTSS 18" x 96" Cover	Detail Rev.
Part Number Numéro Pièce 1412BTSS08203DTC	Rev. 10 0

SEE BILL OF MATERIAL ON LAST PAGE

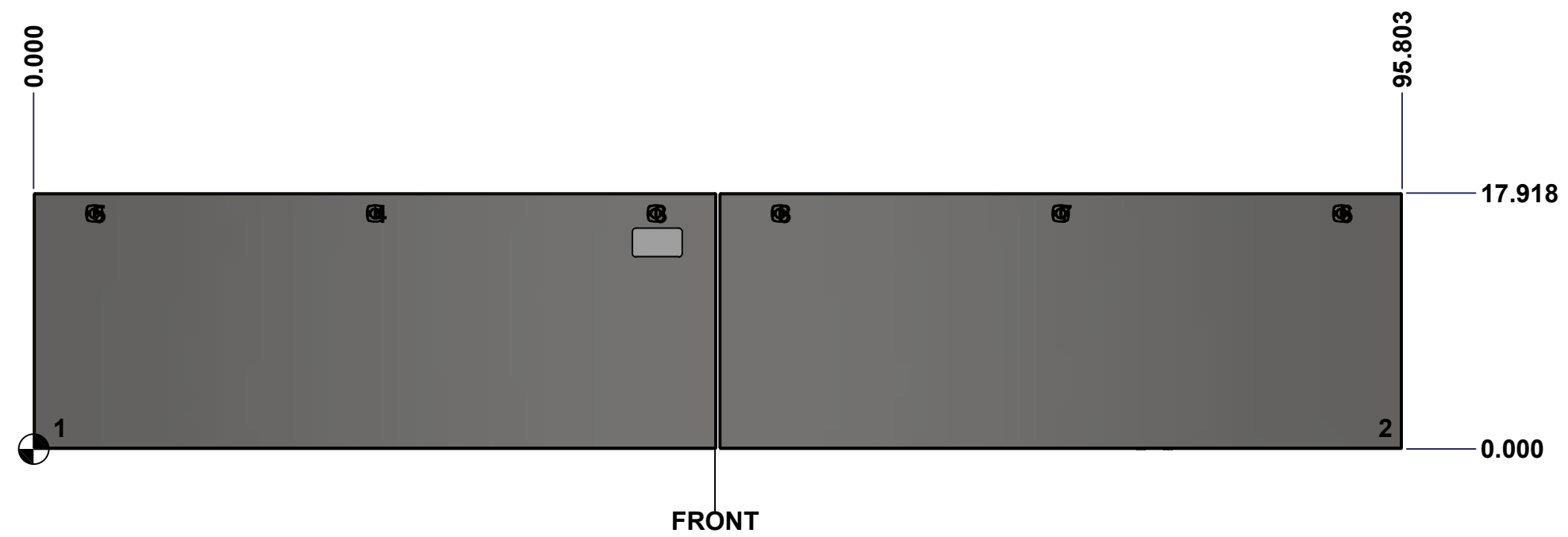
This drawing is confidential and must not be reproduced or used without the consent of Eurobox

Ce dessin est confidentiel et ne doit pas être reproduit ou utilisé sans le consentement de Eurobox

STANDARD FEATURES ARE NOT LISTED IN THIS HOLE TABLE

HOLE TABLE - FRONT VIEW (CUSTOM FEATURE ONLY)

CUT-OUT	XDIM	YDIM	DESCRIPTION
1	1.500	1.486	GND STUD M6 x 16mm (Inside)
2	94.303	1.486	GND STUD M6 x 16mm (Inside)
3	43.553	16.494	LOCK 880 SCQ4-SLSS6 @ 90.0°
4	23.902	16.494	LOCK 880 SCQ4-SLSS6 @ 90.0°
5	4.250	16.494	LOCK 880 SCQ4-SLSS6 @ 90.0°
6	91.553	16.494	LOCK 880 SCQ4-SLSS6 @ 90.0°
7	71.902	16.494	LOCK 880 SCQ4-SLSS6 @ 90.0°
8	52.250	16.494	LOCK 880 SCQ4-SLSS6 @ 90.0°

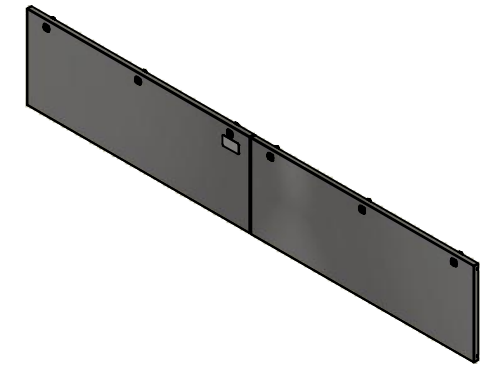


	Description 1412BTSS 18" x 96" Cover	Status (NULL)
	Part Number Numéro Pièce 1412BTSS08203DTC	Rev. 11 0 16

This drawing is confidential and must not be reproduced or used without the consent of EXM


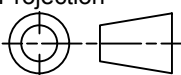
Ce dessin est confidentiel et ne doit pas être reproduit ou utilisé sans le consentement de EXM

No.	Revisions	Date	By/Par



Isometric View

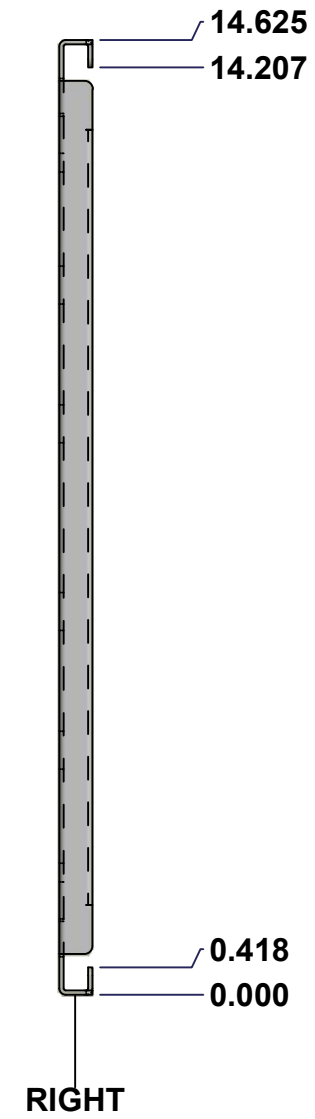
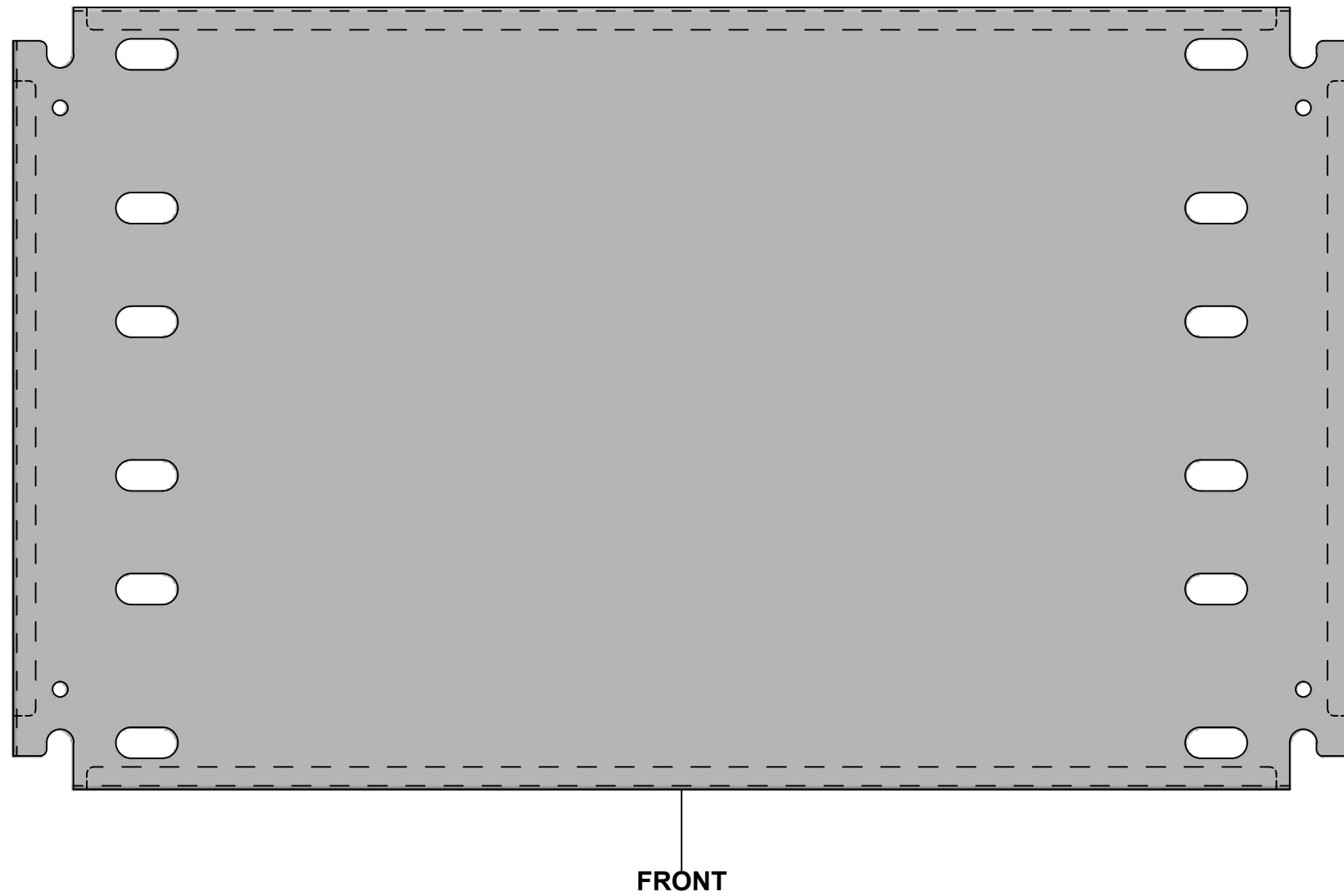
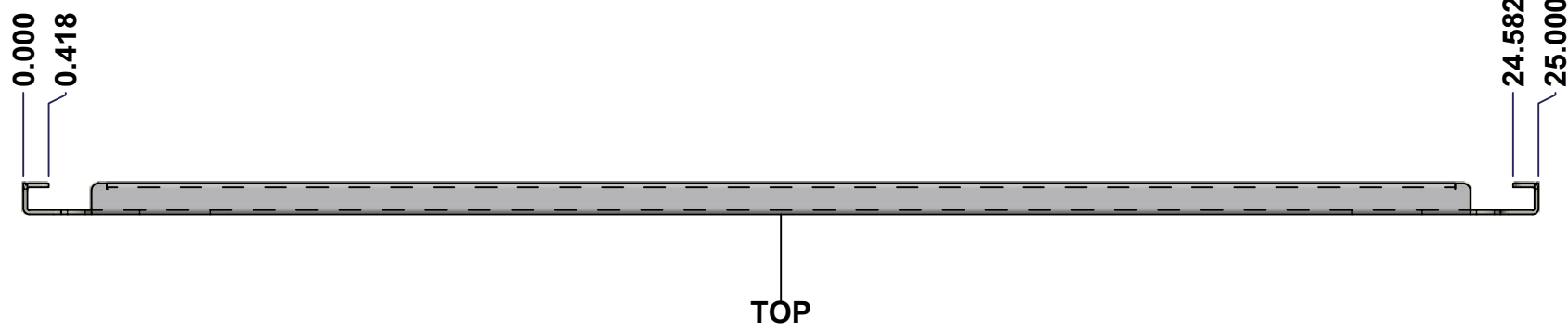


 Tél: (450) 979-4373 Fax: (450) 979-4626 www.exmweb.com	Flatness Aplatissement	Max 3.0mm
	Projection	
Customer Client	Date	
Drawn By Dessiné Par	BoxCad: BoxCad	Date 25-Oct-22
Material Matière	14 Ga Stainless Steel 304 (1.7mm)	
Color Couleur	Unpainted	Finish Fini Brushed
Description	Detail Rev.	
1412BTSS 18" x 96" Cover		
Part Number Numéro Pièce	Rev. 0	12 / 16
1412BTSS08203DTC		

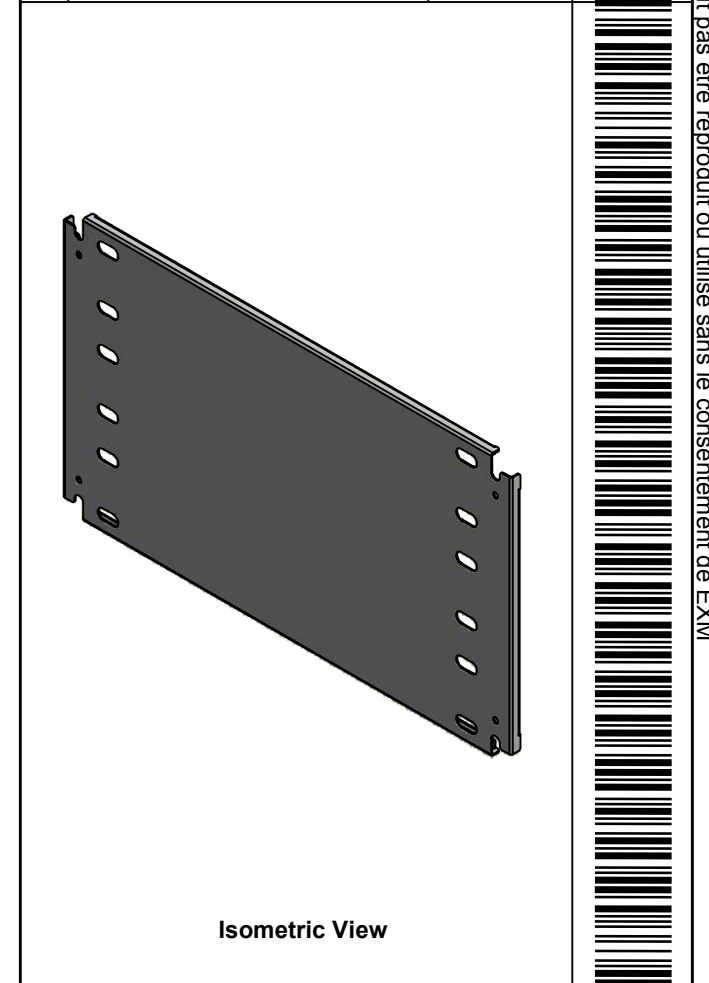
Qty	Part Name	Rev	Description
2	1412BTSS08203DTG	0	1412BTSS 18" x 96" Cover Gasket
8	STK-K-09850	6	5412 ESS Hinge with 2 Captive Hinge Pins
2	STK-Q-16095	0	M6 x 16mm Stainless Steel Ground Stud
1	STK-S-00100	0	3.5" x 2" Silver Milar Flexcon Sticker
1	1412BTSS08203DTC-P	0	1412BTSS 18" x 96" Cover Part
1	1412BTSS08203DTF-P	0	1412BTSS 18" x 96" Right Cover Part
6	880 SCQ4-SLSS6	7	5412 ESS 1/4 Turn Lock
Parts List			

This drawing is confidential and must not be reproduced or used without the consent of EXM

Ce dessin est confidentiel et ne doit pas être reproduit ou utilisé sans le consentement de EXM



No.	Revisions	Date	By/Par



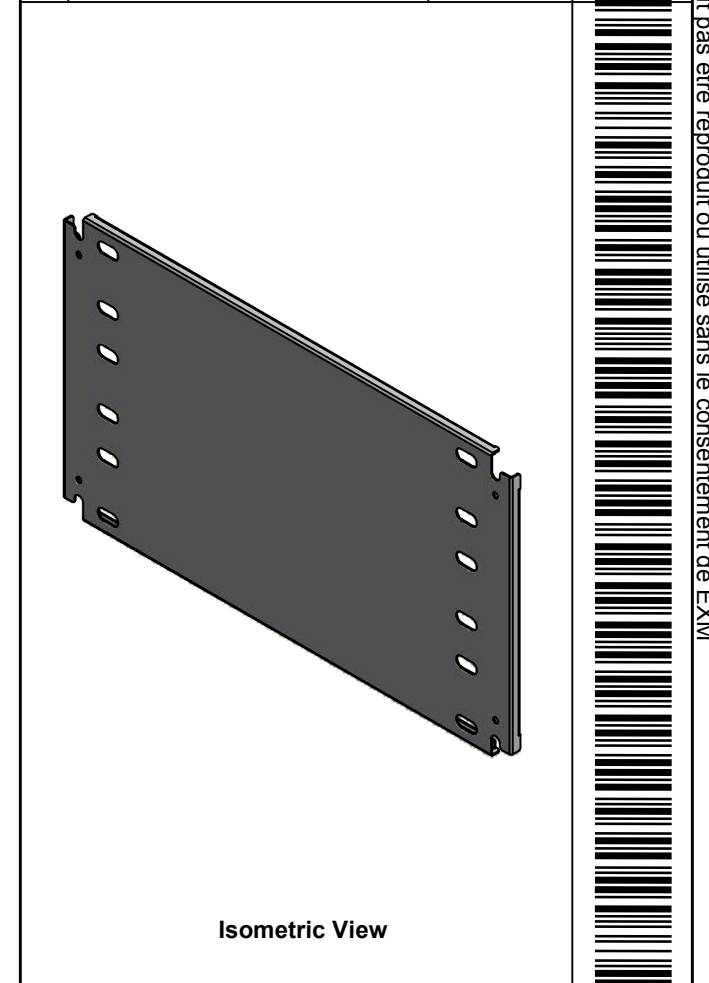
<p>Tél: (450) 979-4373 Fax: (450) 979-4626 www.exmweb.com</p>	Flatness Aplatissement	Max 3.0mm
	Projection	
Customer Client	Date	
Drawn By Dessiné Par	BoxCad: BoxCad	Date 25-Oct-22
Material Matière	14 Ga Cold Rolled A1008 CS Type B (1.7mm)	
Color Couleur	White RAL9003	Finish Fini Smooth
Description	1412BTSS 14.625" x 65" Inner Panel	
Part Number Numéro Pièce	Rev. 0	13 16

SEE BILL OF MATERIAL ON LAST PAGE

This drawing is confidential and must not be reproduced or used without the consent of EXM


Ce dessin est confidentiel et ne doit pas être reproduit ou utilisé sans le consentement de EXM

No.	Revisions	Date	By/Par



Isometric View

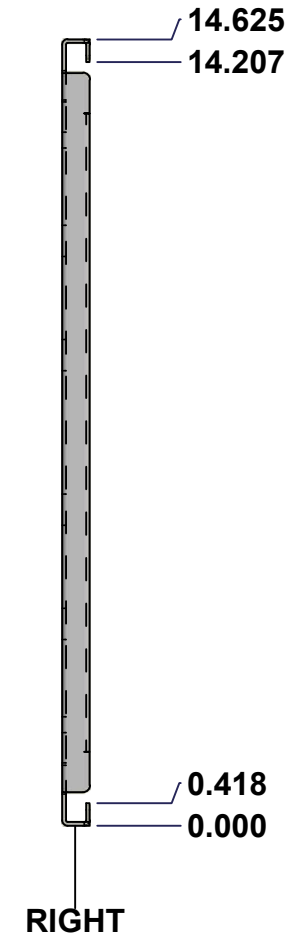
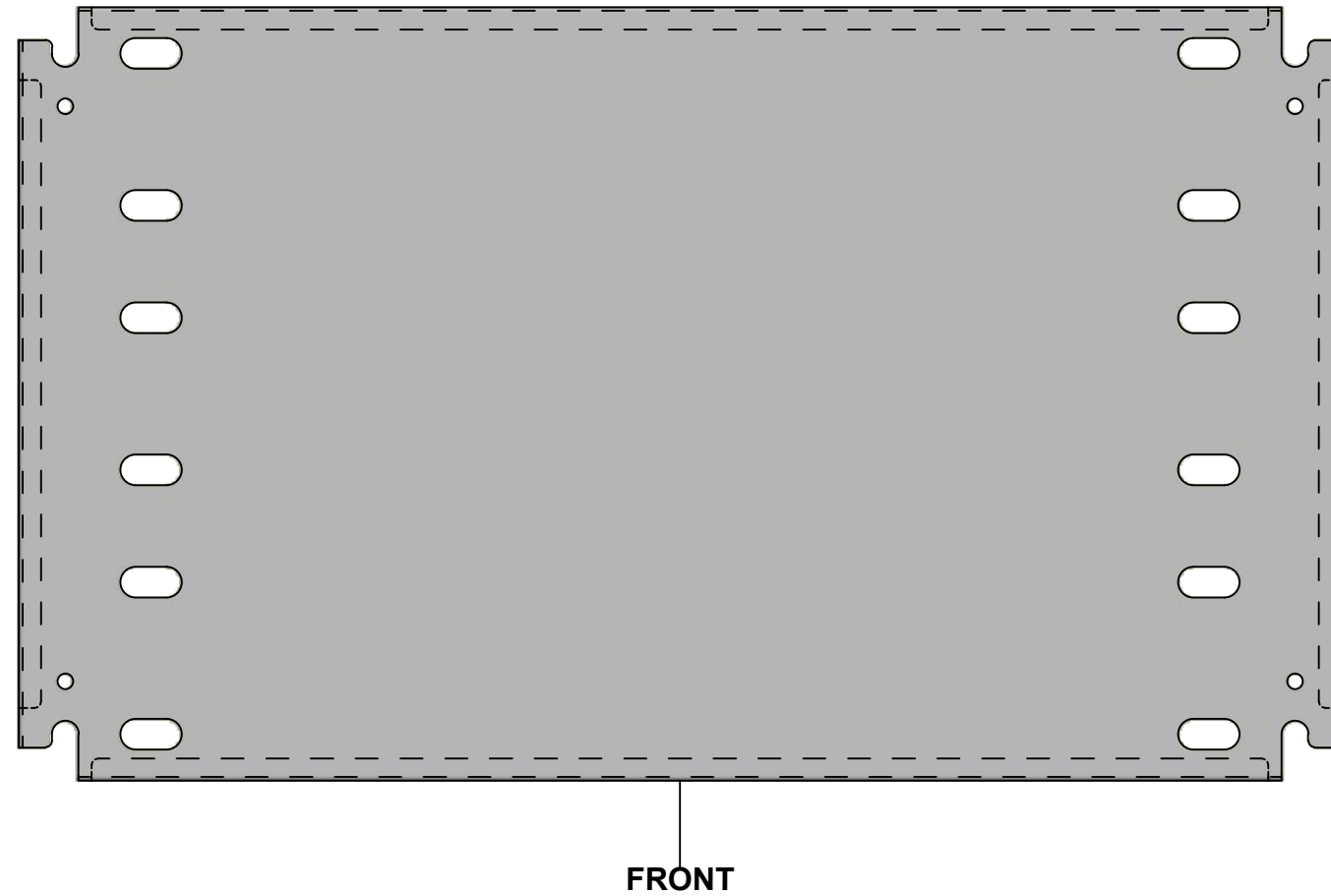
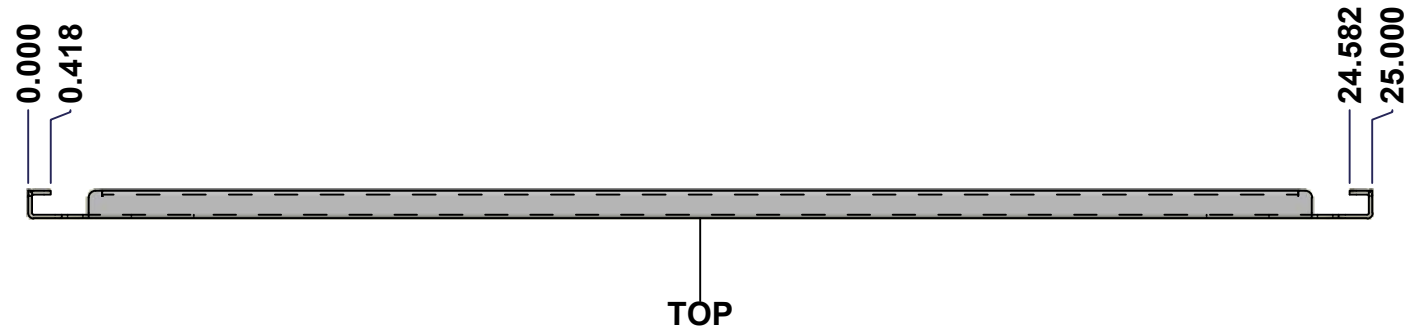


 Tél: (450) 979-4373 Fax: (450) 979-4626 www.exmweb.com		Flatness Aplatissement Max 3.0mm
Customer Client		Date
Drawn By Dessiné Par BoxCad: BoxCad		Date 25-Oct-22
Material Matière 14 Ga Cold Rolled A1008 CS Type B (1.7mm)		
Color Couleur White RAL9003	Finish Fini Smooth	
Description 1412BTSS 14.625" x 65" Inner Panel		Detail Rev.
Part Number Numéro Pièce 1412BTSS08203DTIP1		Rev. 0

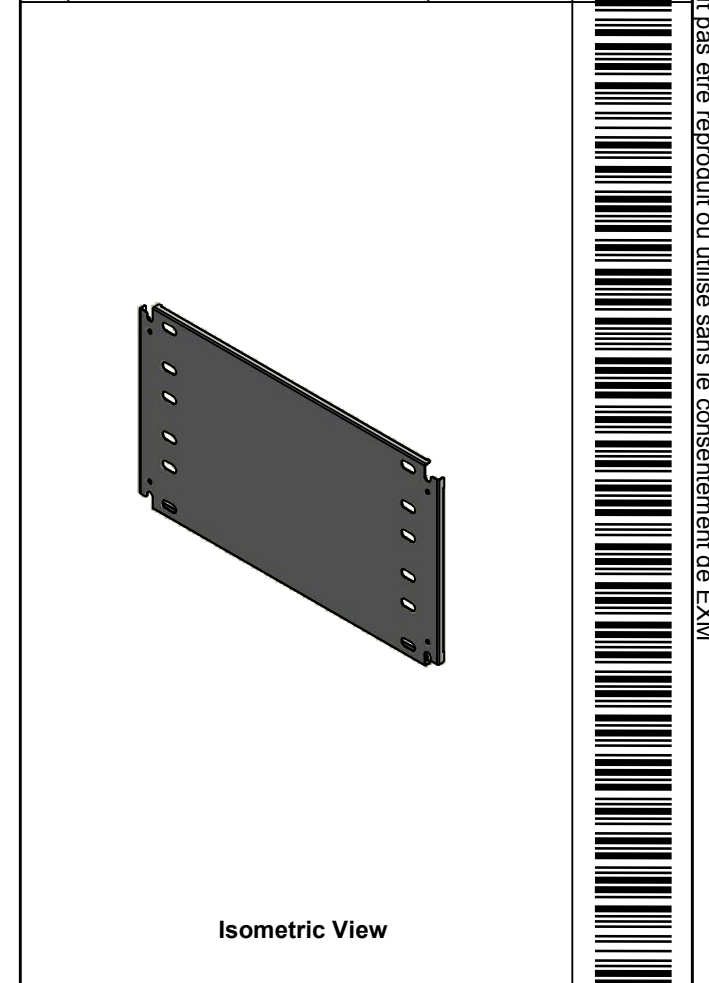
Qty	Part Number	Rev	Description
1	STK-P-02401S	0	Powder Paint (White / Smooth)
1	1412BTSS08203DTIP1-P	0	1412BTSS 14.625" x 96" Inner Panel Part
Parts List			


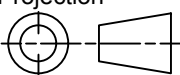
This drawing is confidential and must not be reproduced or used without the consent of EXM

Ce dessin est confidentiel et ne doit pas être reproduit ou utilisé sans le consentement de EXM



No.	Revisions	Date	By/Par



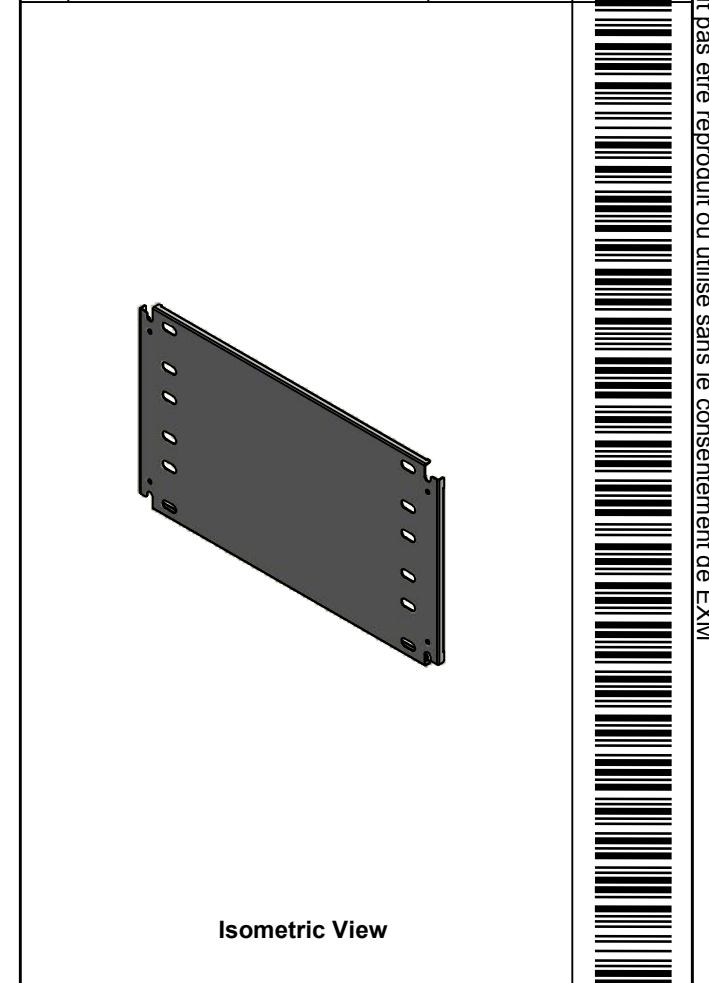
 Tél: (450) 979-4373 Fax: (450) 979-4626 www.exmweb.com	Flatness Aplatissement Max 3.0mm
	Projection 
Customer Client	Date
Drawn By Dessiné Par BoxCad: BoxCad	Date 25-Oct-22
Material Matière 14 Ga Cold Rolled A1008 CS Type B (1.7mm)	
Color Couleur White RAL9003	Finish Fini Smooth
Description 1412BTSS 14.625" x 28" Right Inner Panel	Detail Rev.
Part Number Numéro Pièce 1412BTSS08203DTIP2	Rev. 0
	15 16


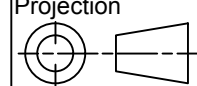
SEE BILL OF MATERIAL ON LAST PAGE

This drawing is confidential and must not be reproduced or used without the consent of EXM

Ce dessin est confidentiel et ne doit pas être reproduit ou utilisé sans le consentement de EXM

No.	Revisions	Date	By/Par



 Tél: (450) 979-4373 Fax: (450) 979-4626 www.exmweb.com	Flatness Aplatissement Max 3.0mm
	Projection 
Customer Client	Date
Drawn By Dessiné Par BoxCad: BoxCad	Date 25-Oct-22
Material Matière 14 Ga Cold Rolled A1008 CS Type B (1.7mm)	
Color Couleur White RAL9003	Finish Fini Smooth
Description 1412BTSS 14.625" x 28" Right Inner Panel	
Part Number Numéro Pièce 1412BTSS08203DTIP2	Detail Rev. Rev. 16 0

Qty	Part Number	Rev	Description
1	STK-P-02401S	0	Powder Paint (White / Smooth)
1	1412BTSS08203DTIP2-P	0	1412BTSS 14.625" x 96" Right Inner Panel Part
Parts List			