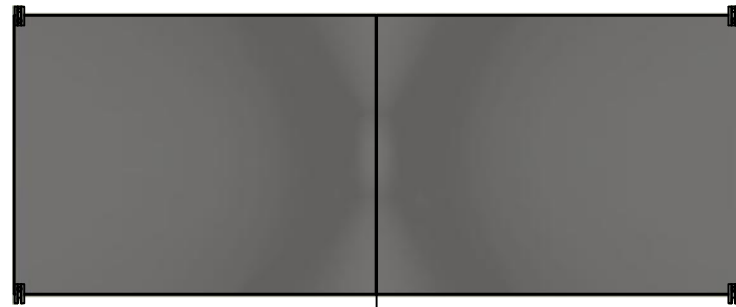


This drawing is confidential and must not be reproduced or used without the consent of EXM

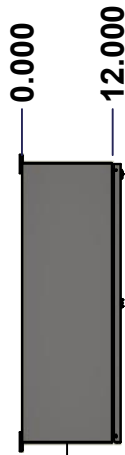
Ce dessin est confidentiel et ne doit pas être reproduit ou utilisé sans le consentement de EXM



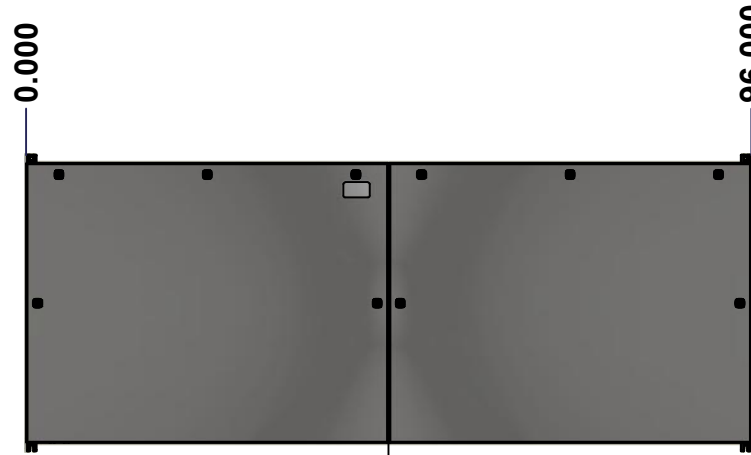
TOP



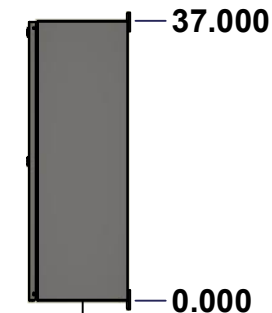
LEFT



LEFT



FRONT

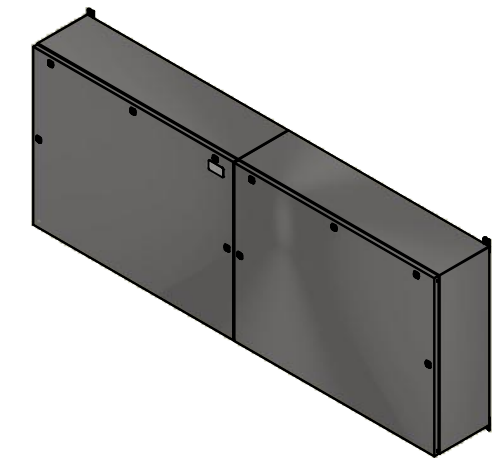


RIGHT



BOTTOM

No.	Revisions	Date	By/Par



Isometric View



Tél: (450) 979-4373
 Fax: (450) 979-4626
www.exmweb.com

Flatness
Aplatissement

Max 3.0mm

Projection



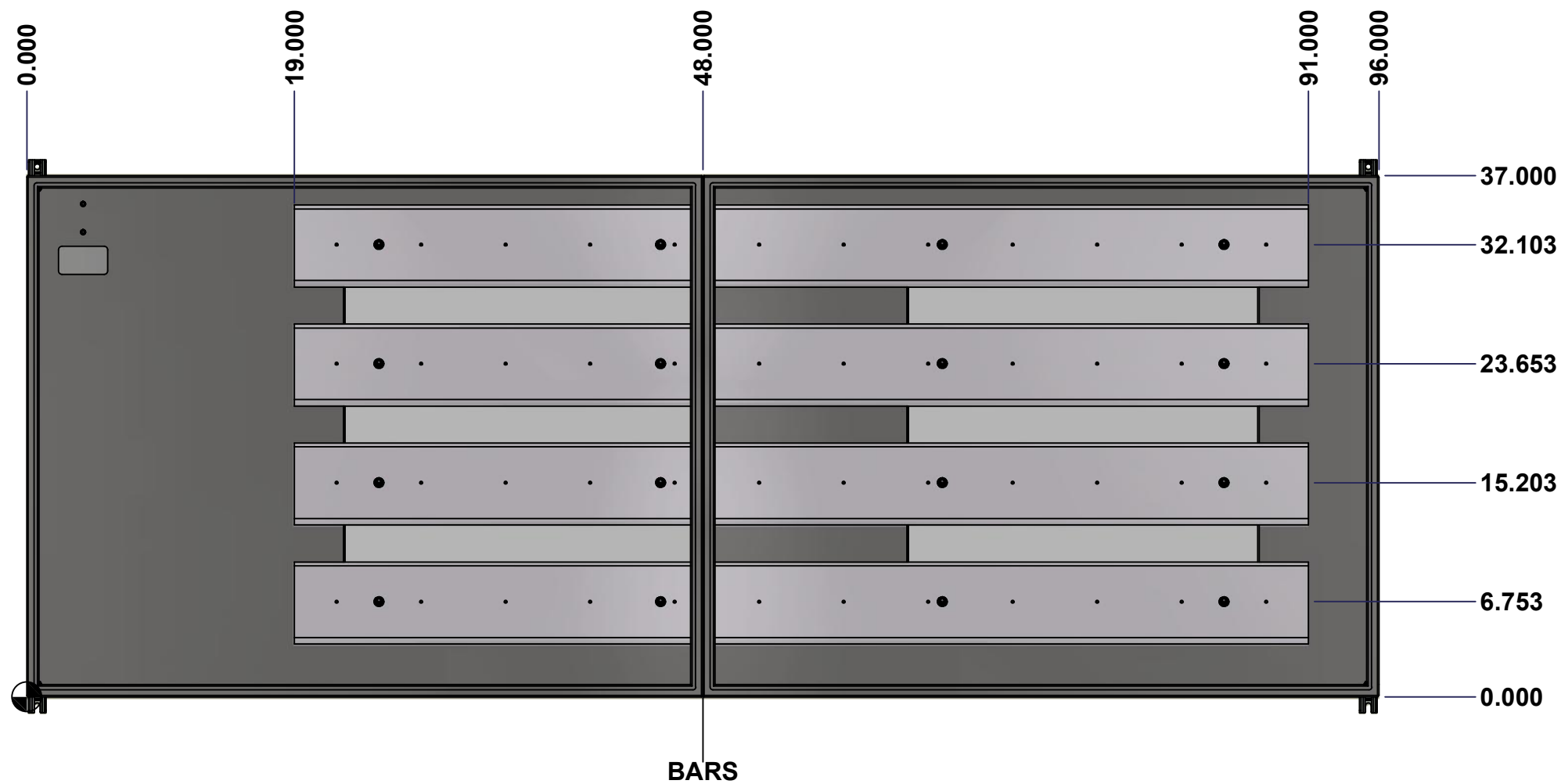
Customer Client	Date
Drawn By Dessiné Par BoxCad: BoxCad	Date 26-Oct-22
Material Matière 14 Ga Stainless Steel 304 (1.7mm)	
Color Couleur Unpainted	Finish Fini Brushed
Description 1412BTSS 2500A - 4Wires x 96" Assembly	Detail Rev.
Part Number Numéro Pièce 1412BTSS082504DT	Rev. 0

SEE BILL OF MATERIAL ON LAST PAGE

This drawing is confidential and must not be reproduced or used without the consent of Eurobox

STANDARD FEATURES ARE NOT LISTED IN THIS HOLE TABLE

Ce dessin est confidentiel et ne doit pas être reproduit ou utilisé sans le consentement de Eurobox



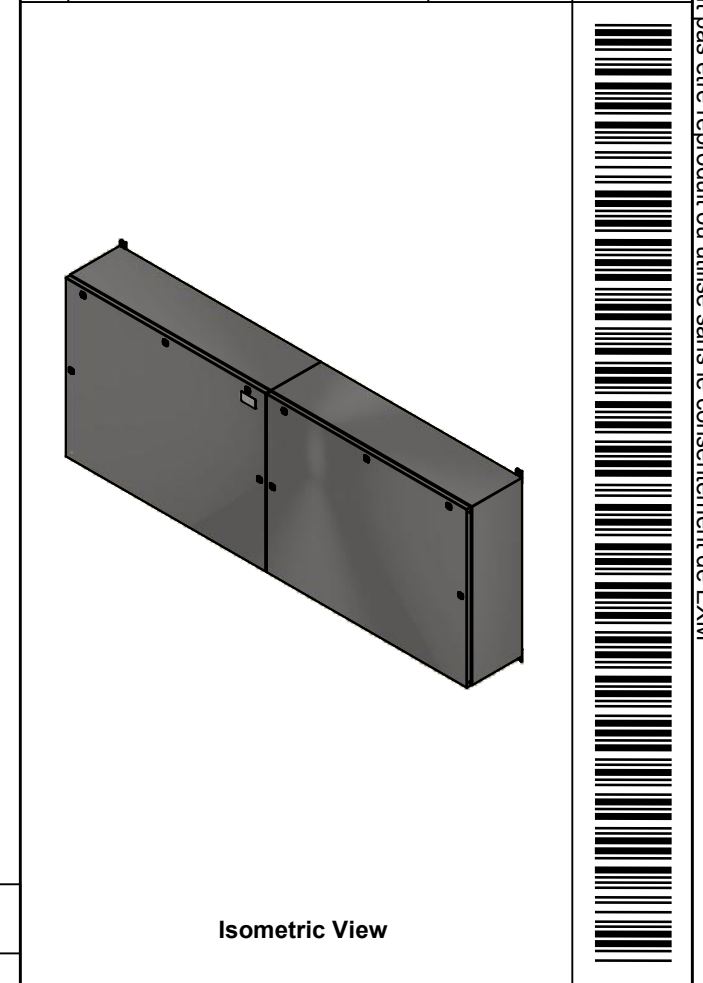
	Description		Status
	1412BTSS 2500A - 4Wires x 96" Assembly		(NULL)
Part Number		Rev.	2
Numéro Pièce		0	17
1412BTSS082504DT			

This drawing is confidential and must not be reproduced or used without the consent of EXM

Ce dessin est confidentiel et ne doit pas être reproduit ou utilisé sans le consentement de EXM

NOTE	
ITEM	DESCRIPTION
1	NEMA 4X Enclosure
2	C/W Standard ground studs on box and cover
3	W/O Standard door stiffener
4	C/W Special inner panel (Sold separately)
5	C/W Standard inner panel mounting studs

No.	Revisions	Date	By/Par



8	STK-Q-04051-07	8	M6 x 7mm Stainless Steel Hexagon Socket Head Machine Screw with Nyseal
1	885 ESMF2	0	885 ESMF2 Stainless Steel Mounting Feet Kit
1	1412BTSS082504DTIP2	0	1412BTSS 29.975" x 28" Right Inner Panel
1	1412BTSS082504DTBAR 1-P	0	Rounded Edge Aluminum Bar 3/4" x 6"
1	1412BTSS082504DTBAR 2-P	0	Rounded Edge Aluminum Bar 3/4" x 6"
1	1412BTSS082504DTBAR 3-P	0	Rounded Edge Aluminum Bar 3/4" x 6"
1	1412BTSS082504DTBAR 4-P	0	Rounded Edge Aluminum Bar 3/4" x 6"
1	1412BTSS082504DTIP1	0	1412BTSS 29.975" x 65" Inner Panel
16	STK-A-67400	0	Buss Bar Insulator Kit
1	STK-K-01800	5	5412 ES Accessory Kit
24	STK-Q-07310	2	Flange Lock Nut M8
8	STK-Q-07610	8	M8 Plastic Spacer 22.2mm
1	1412BTSS082504DTB	0	1412BTSS 37" x 96" x 12" Body
1	1412BTSS082504DTC	0	1412BTSS 37" x 96" Cover

PACKING		
ITEM	QTY	DESCRIPTION
Cardboard sleeve	2	Top and Bottom
Cardboard strip	2	Between back of enclosure and inner panel
Plastic bag	1	To protect cover surface and inside gasket
Cardboard corner	4	To reinforced for the plastic strap tightening
Plastic strap - Black	2	To Squeeze 2 cardboard sleeve together
Packaging label	3	White label with PN
Plastic strap- Green	2	To secure the enclosure to the wood pallet
Wood Pallet	1	2" deeper and 3" larger than enclosure size

Tél: (450) 979-4373
Fax: (450) 979-4626
www.exmweb.com

Flatness
Aplatissement
Max 3.0mm

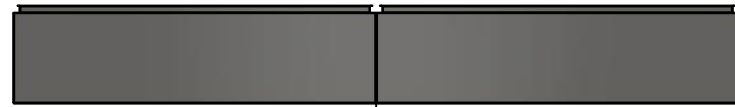
Projection

Customer Client	Date
Drawn By Dessiné Par	Date 26-Oct-22
Material Matière	14 Ga Stainless Steel 304 (1.7mm)
Color Couleur	Unpainted Finish Finis Brushed
Description	Detail Rev.
1412BTSS 2500A - 4Wires x 96" Assembly	
Part Number Numéro Pièce	Rev. 3
1412BTSS082504DT	0

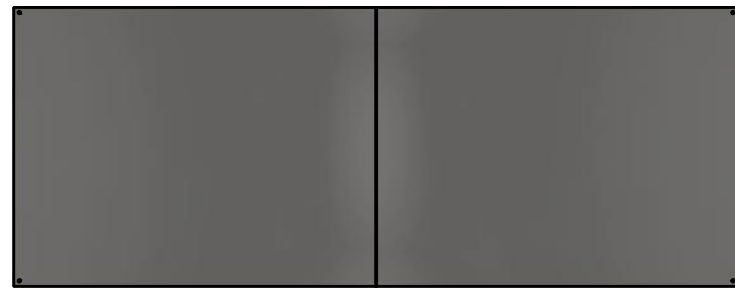
Qty	Part Number	Rev	Description
Parts List			

This drawing is confidential and must not be reproduced or used without the consent of EXM

Ce dessin est confidentiel et ne doit pas être reproduit ou utilisé sans le consentement de EXM



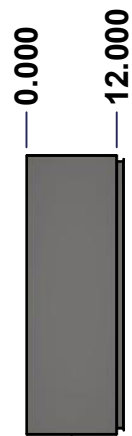
TOP



BACK



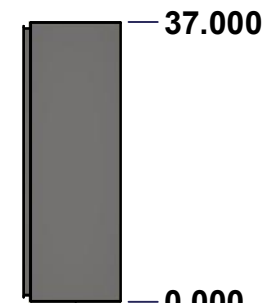
BOTTOM



LEFT

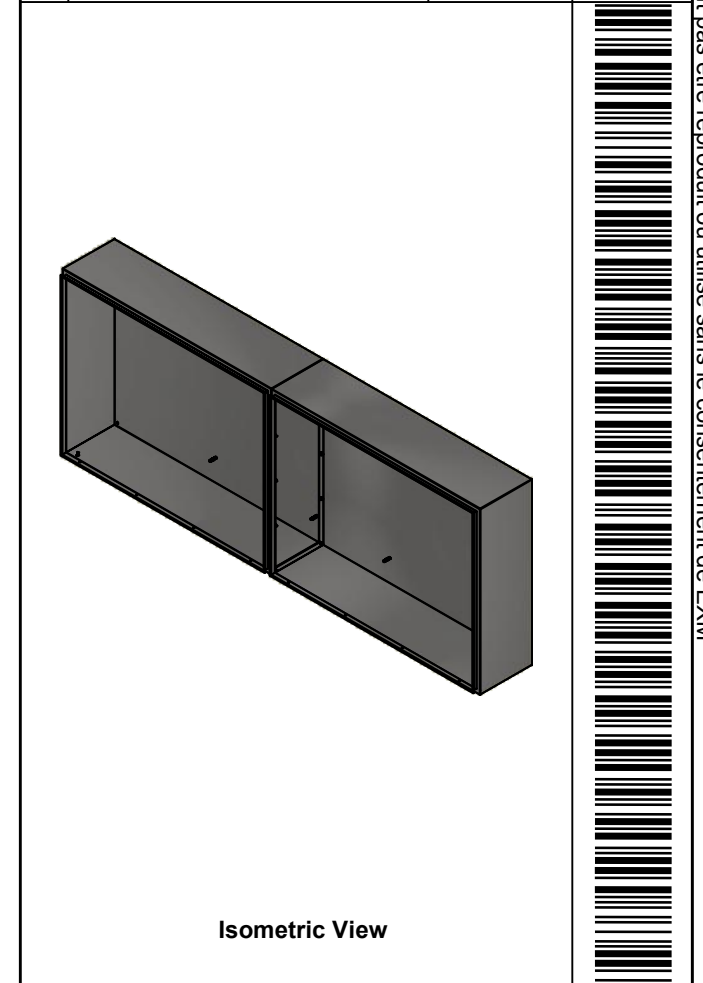


FRONT

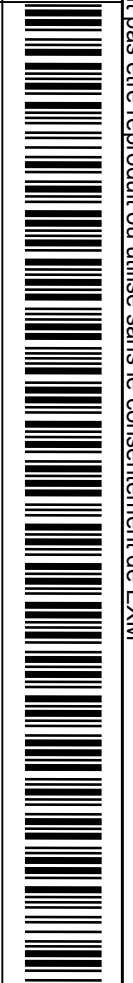



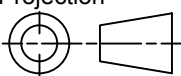
RIGHT

No.	Revisions	Date	By/Par



Isometric View



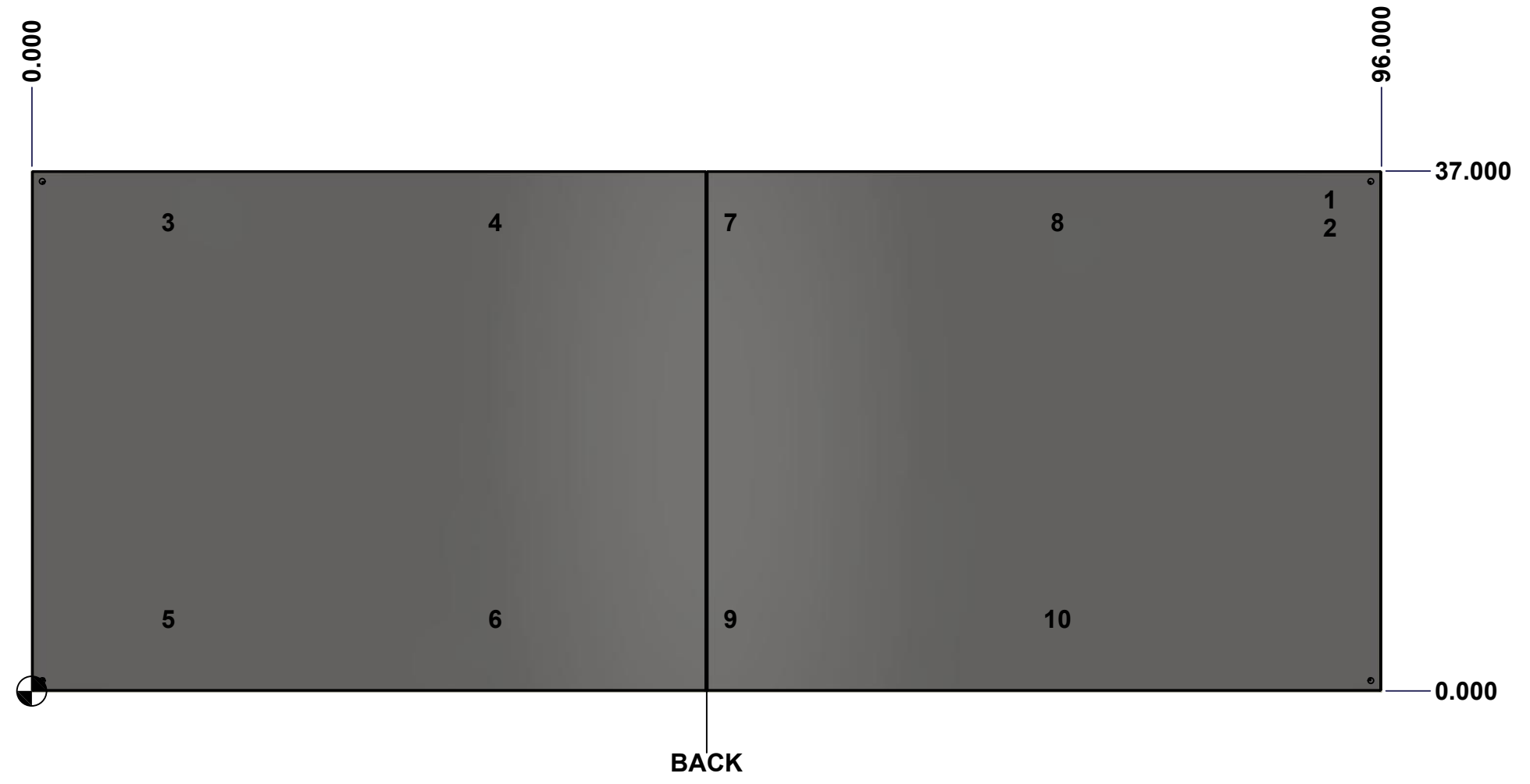
 Tél: (450) 979-4373 Fax: (450) 979-4626 www.exmweb.com		Flatness Aplatissement Max 3.0mm Projection 
Customer Client	Date	
Drawn By Dessiné Par	BoxCad: BoxCad	Date 26-Oct-22
Material Matière	14 Ga Stainless Steel 304 (1.7mm)	
Color Couleur	Unpainted	Finish Fini Brushed
Description	Detail Rev.	
1412BTSS 37" x 96" x 12" Body		
Part Number Numéro Pièce	Rev.	4
1412BTSS082504DTB	0	17

SEE BILL OF MATERIAL ON LAST PAGE

This drawing is confidential and must not be reproduced or used without the consent of Eurobox

Ce dessin est confidentiel et ne doit pas être reproduit ou utilisé sans le consentement de Eurobox

STANDARD FEATURES ARE NOT LISTED IN THIS HOLE TABLE			
HOLE TABLE - BACK VIEW (CUSTOM FEATURE ONLY)			
CUT-OUT	XDIM	YDIM	DESCRIPTION
1	92.000	35.000	GND STUD M8 x 35mm (Inside)
2	92.000	33.000	GND STUD M8 x 35mm (Inside)
3	9.375	33.350	IP STUD M8 x 35mm (Inside)
4	32.625	33.350	IP STUD M8 x 35mm (Inside)
5	9.375	5.125	IP STUD M8 x 35mm (Inside)
6	32.625	5.125	IP STUD M8 x 35mm (Inside)
7	49.375	33.350	IP STUD M8 x 35mm (Inside)
8	72.625	33.350	IP STUD M8 x 35mm (Inside)
9	49.375	5.125	IP STUD M8 x 35mm (Inside)
10	72.625	5.125	IP STUD M8 x 35mm (Inside)

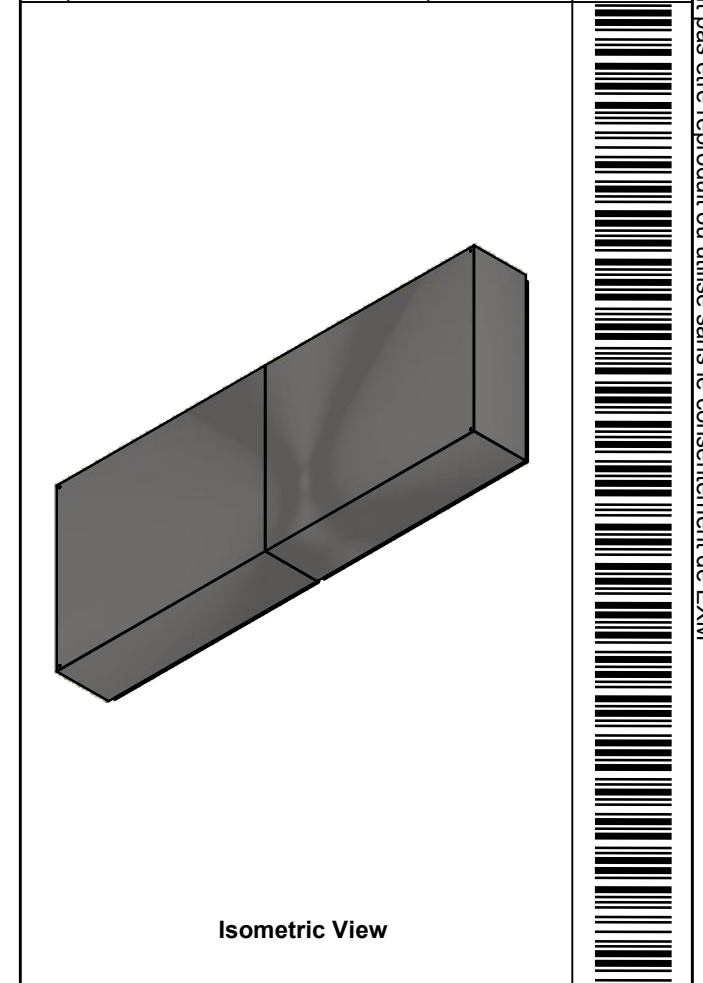



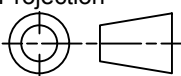
	Description	Status
	1412BTSS 37" x 96" x 12" Body	(NULL)
	Part Number Numéro Pièce	Rev.
	1412BTSS082504DTB	0 / 5
		17

This drawing is confidential and must not be reproduced or used without the consent of EXM

Ce dessin est confidentiel et ne doit pas être reproduit ou utilisé sans le consentement de EXM

No.	Revisions	Date	By/Par



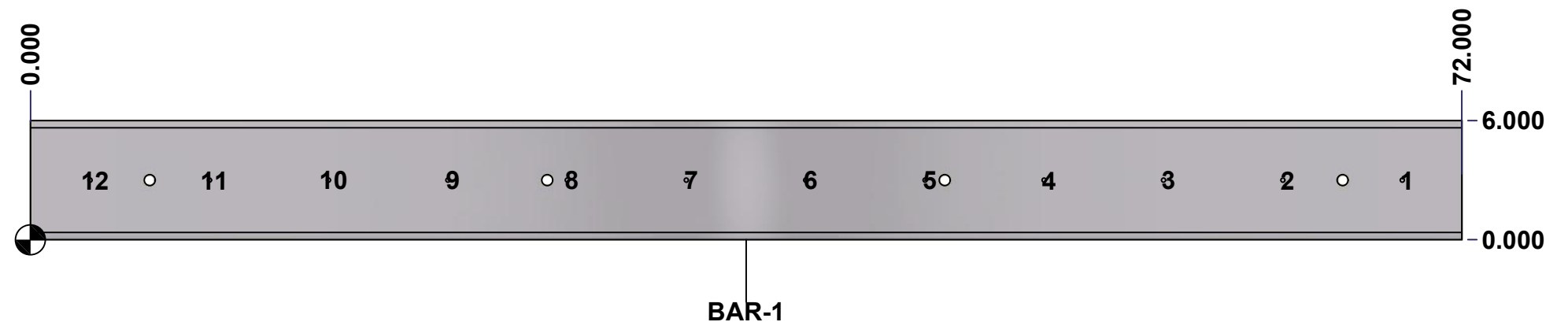
 Tél: (450) 979-4373 Fax: (450) 979-4626 www.exmweb.com		Flatness Aplatissement Max 3.0mm
Customer Client		Projection 
Drawn By / Dessiné Par: BoxCad: BoxCad		Date: 26-Oct-22
Material / Matière: 14 Ga Stainless Steel 304 (1.7mm)		
Color / Couleur: Unpainted	Finish / Fini: Brushed	
Description: 1412BTSS 37" x 96" x 12" Body		Detail Rev.
Part Number / Numéro Pièce: 1412BTSS082504DTB		Rev. 0

1	1412BTSS082504DTB-P	0	1412BTSS 37" x 96" x 12" Body Part
1	1412BTSS082504DTE-P	0	1412BTSS 37" x 96" x 12" Right Body Part
1	STK-G-00701	0	1" x 1/4" Self-Adhesive Neoprene Gasket
10	STK-Q-00260	1	M6 x 13mm Carriage Bolt
10	STK-Q-07220	1	M6 Nylon Insert Lock Nut
10	STK-Q-16020	1	Stud M8 x 35mm Stainless Steel
2	STK-Q-16095	0	M6 x 16mm Stainless Steel Ground Stud
1	STK-S-00100	0	3.5" x 2" Silver Milar Flexcon Sticker
Qty	Part Number	Rev	Description
Parts List			

This drawing is confidential and must not be reproduced or used without the consent of Eurobox

Ce dessin est confidentiel et ne doit pas être reproduit ou utilisé sans le consentement de Eurobox

STANDARD FEATURES ARE NOT LISTED IN THIS HOLE TABLE			
HOLE TABLE - FRONT VIEW (CUSTOM FEATURE ONLY)			
CUT-OUT	XDIM	YDIM	DESCRIPTION
1	69.000	3.000	RND Ø0.201 THREAD 1/4-20 UNC
2	63.000	3.000	RND Ø0.201 THREAD 1/4-20 UNC
3	57.000	3.000	RND Ø0.201 THREAD 1/4-20 UNC
4	51.000	3.000	RND Ø0.201 THREAD 1/4-20 UNC
5	45.000	3.000	RND Ø0.201 THREAD 1/4-20 UNC
6	39.000	3.000	RND Ø0.201 THREAD 1/4-20 UNC
7	33.000	3.000	RND Ø0.201 THREAD 1/4-20 UNC
8	27.000	3.000	RND Ø0.201 THREAD 1/4-20 UNC
9	21.000	3.000	RND Ø0.201 THREAD 1/4-20 UNC
10	15.000	3.000	RND Ø0.201 THREAD 1/4-20 UNC
11	9.000	3.000	RND Ø0.201 THREAD 1/4-20 UNC
12	3.000	3.000	RND Ø0.201 THREAD 1/4-20 UNC

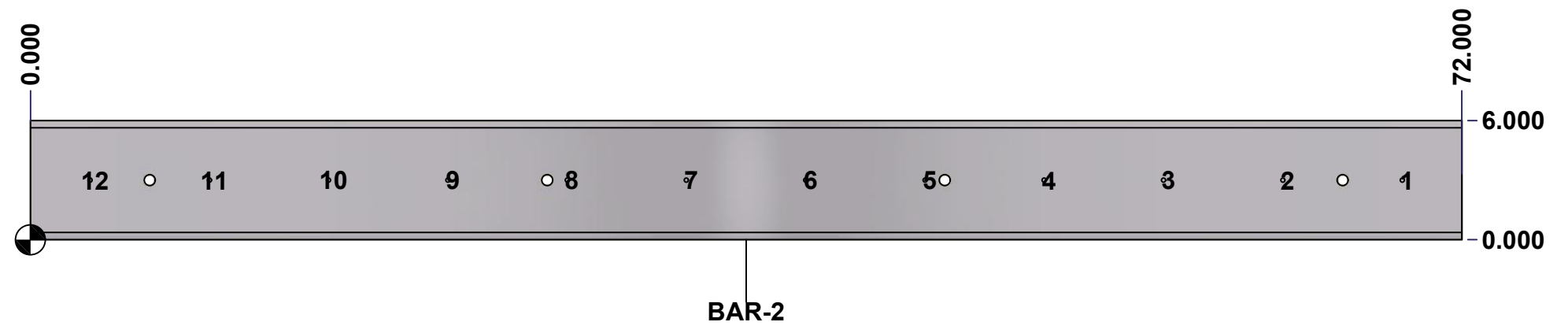


	Description	Status
	Rounded Edge Aluminum Bar 3/4" x 6"	(NULL)
	Part Number Numéro Pièce	Rev.
	1412BTSS082504DTBAR1-P	7
	0	17

This drawing is confidential and must not be reproduced or used without the consent of Eurobox

Ce dessin est confidentiel et ne doit pas être reproduit ou utilisé sans le consentement de Eurobox

STANDARD FEATURES ARE NOT LISTED IN THIS HOLE TABLE			
HOLE TABLE - FRONT VIEW (CUSTOM FEATURE ONLY)			
CUT-OUT	XDIM	YDIM	DESCRIPTION
1	69.000	3.000	RND Ø0.201 THREAD 1/4-20 UNC
2	63.000	3.000	RND Ø0.201 THREAD 1/4-20 UNC
3	57.000	3.000	RND Ø0.201 THREAD 1/4-20 UNC
4	51.000	3.000	RND Ø0.201 THREAD 1/4-20 UNC
5	45.000	3.000	RND Ø0.201 THREAD 1/4-20 UNC
6	39.000	3.000	RND Ø0.201 THREAD 1/4-20 UNC
7	33.000	3.000	RND Ø0.201 THREAD 1/4-20 UNC
8	27.000	3.000	RND Ø0.201 THREAD 1/4-20 UNC
9	21.000	3.000	RND Ø0.201 THREAD 1/4-20 UNC
10	15.000	3.000	RND Ø0.201 THREAD 1/4-20 UNC
11	9.000	3.000	RND Ø0.201 THREAD 1/4-20 UNC
12	3.000	3.000	RND Ø0.201 THREAD 1/4-20 UNC



	Description	Status
	Rounded Edge Aluminum Bar 3/4" x 6"	(NULL)
	Part Number Numéro Pièce	Rev.
	1412BTSS082504DTBAR2-P	8
		0
		17

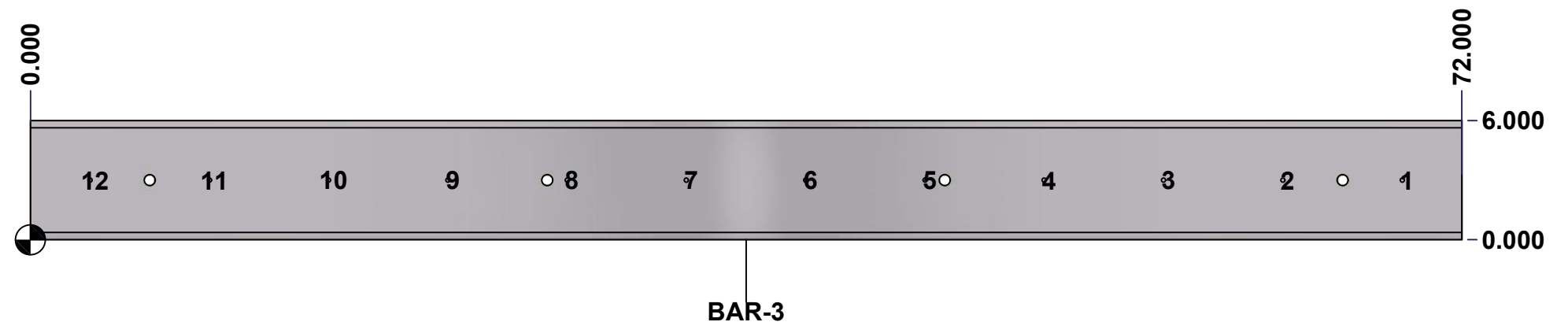
This drawing is confidential and must not be reproduced or used without the consent of Eurobox

Ce dessin est confidentiel et ne doit pas être reproduit ou utilisé sans le consentement de Eurobox

STANDARD FEATURES ARE NOT LISTED IN THIS HOLE TABLE

HOLE TABLE - FRONT VIEW (CUSTOM FEATURE ONLY)

CUT-OUT	XDIM	YDIM	DESCRIPTION
1	69.000	3.000	RND Ø0.201 THREAD 1/4-20 UNC
2	63.000	3.000	RND Ø0.201 THREAD 1/4-20 UNC
3	57.000	3.000	RND Ø0.201 THREAD 1/4-20 UNC
4	51.000	3.000	RND Ø0.201 THREAD 1/4-20 UNC
5	45.000	3.000	RND Ø0.201 THREAD 1/4-20 UNC
6	39.000	3.000	RND Ø0.201 THREAD 1/4-20 UNC
7	33.000	3.000	RND Ø0.201 THREAD 1/4-20 UNC
8	27.000	3.000	RND Ø0.201 THREAD 1/4-20 UNC
9	21.000	3.000	RND Ø0.201 THREAD 1/4-20 UNC
10	15.000	3.000	RND Ø0.201 THREAD 1/4-20 UNC
11	9.000	3.000	RND Ø0.201 THREAD 1/4-20 UNC
12	3.000	3.000	RND Ø0.201 THREAD 1/4-20 UNC

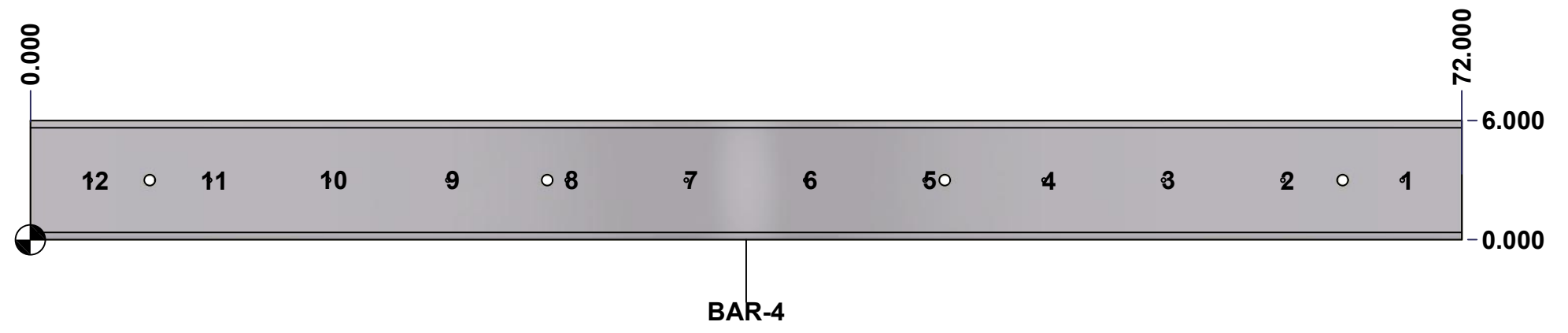


	Description		Status	
	Rounded Edge Aluminum Bar 3/4" x 6"		(NULL)	
Part Number Numéro Pièce		Rev.	9	
1412BTSS082504DTBAR3-P		0	17	

This drawing is confidential and must not be reproduced or used without the consent of Eurobox

Ce dessin est confidentiel et ne doit pas être reproduit ou utilisé sans le consentement de Eurobox

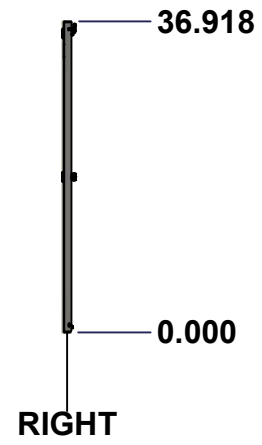
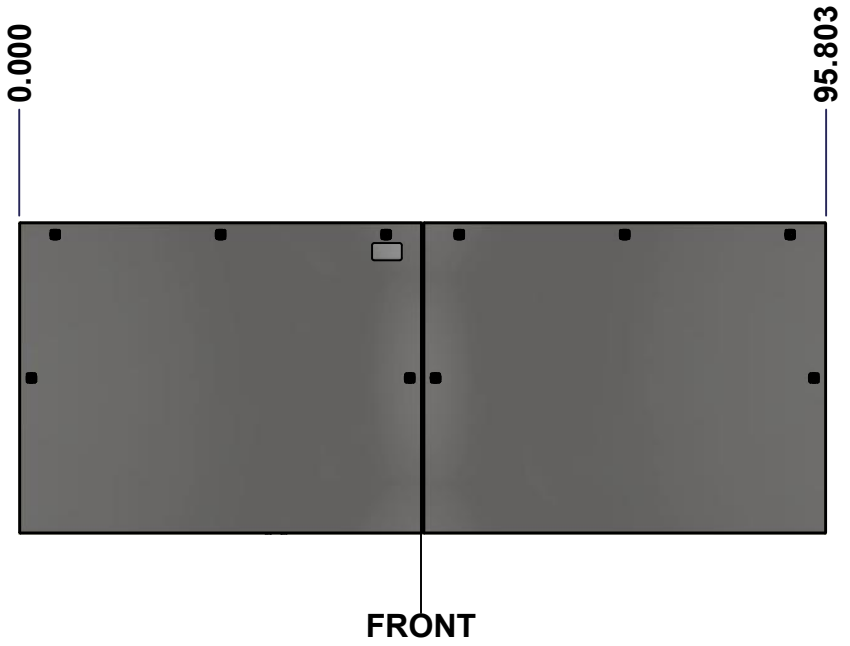
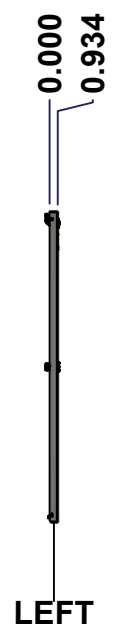
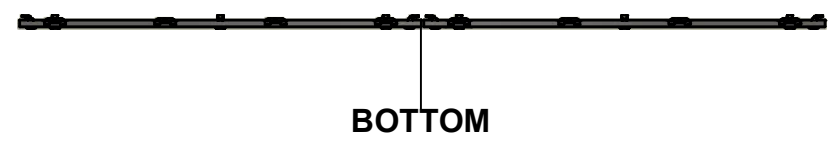
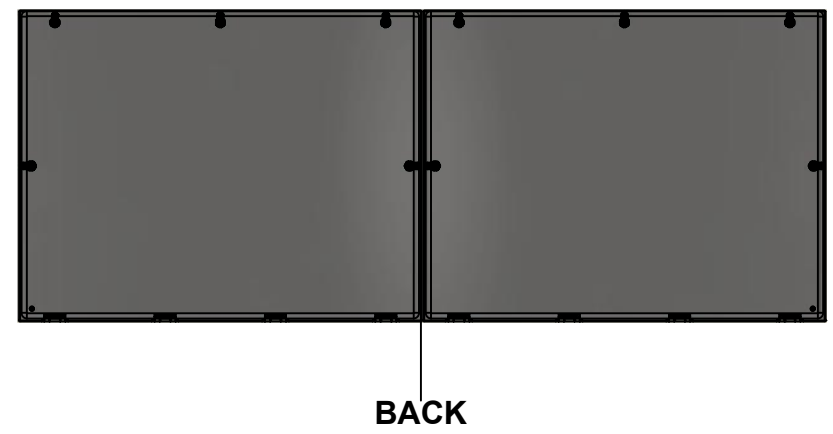
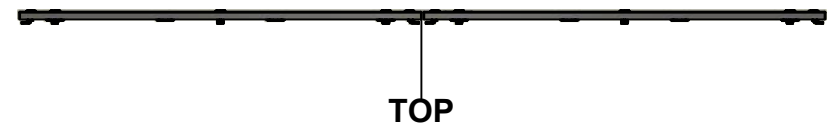
STANDARD FEATURES ARE NOT LISTED IN THIS HOLE TABLE			
HOLE TABLE - FRONT VIEW (CUSTOM FEATURE ONLY)			
CUT-OUT	XDIM	YDIM	DESCRIPTION
1	69.000	3.000	RND Ø0.201 THREAD 1/4-20 UNC
2	63.000	3.000	RND Ø0.201 THREAD 1/4-20 UNC
3	57.000	3.000	RND Ø0.201 THREAD 1/4-20 UNC
4	51.000	3.000	RND Ø0.201 THREAD 1/4-20 UNC
5	45.000	3.000	RND Ø0.201 THREAD 1/4-20 UNC
6	39.000	3.000	RND Ø0.201 THREAD 1/4-20 UNC
7	33.000	3.000	RND Ø0.201 THREAD 1/4-20 UNC
8	27.000	3.000	RND Ø0.201 THREAD 1/4-20 UNC
9	21.000	3.000	RND Ø0.201 THREAD 1/4-20 UNC
10	15.000	3.000	RND Ø0.201 THREAD 1/4-20 UNC
11	9.000	3.000	RND Ø0.201 THREAD 1/4-20 UNC
12	3.000	3.000	RND Ø0.201 THREAD 1/4-20 UNC



	Description		Status	
	Rounded Edge Aluminum Bar 3/4" x 6"		(NULL)	
Part Number Numéro Pièce		Rev.	10	
1412BTSS082504DTBAR4-P		0	17	

This drawing is confidential and must not be reproduced or used without the consent of EXM

Ce dessin est confidentiel et ne doit pas être reproduit ou utilisé sans le consentement de EXM



No.	Revisions	Date	By/Par

Isometric View

Tél: (450) 979-4373 Fax: (450) 979-4626 www.exmweb.com		Flatness Aplatissement
		Max 3.0mm
Customer Client		Date
Drawn By Dessiné Par BoxCad: BoxCad		Date 26-Oct-22
Material Matière 14 Ga Stainless Steel 304 (1.7mm)		
Color Couleur Unpainted	Finish Fini Brushed	
Description 1412BTSS 37" x 96" Cover		Detail Rev.
Part Number Numéro Pièce	Rev. 0	11 / 17

SEE BILL OF MATERIAL ON LAST PAGE

1412BTSS082504DTC

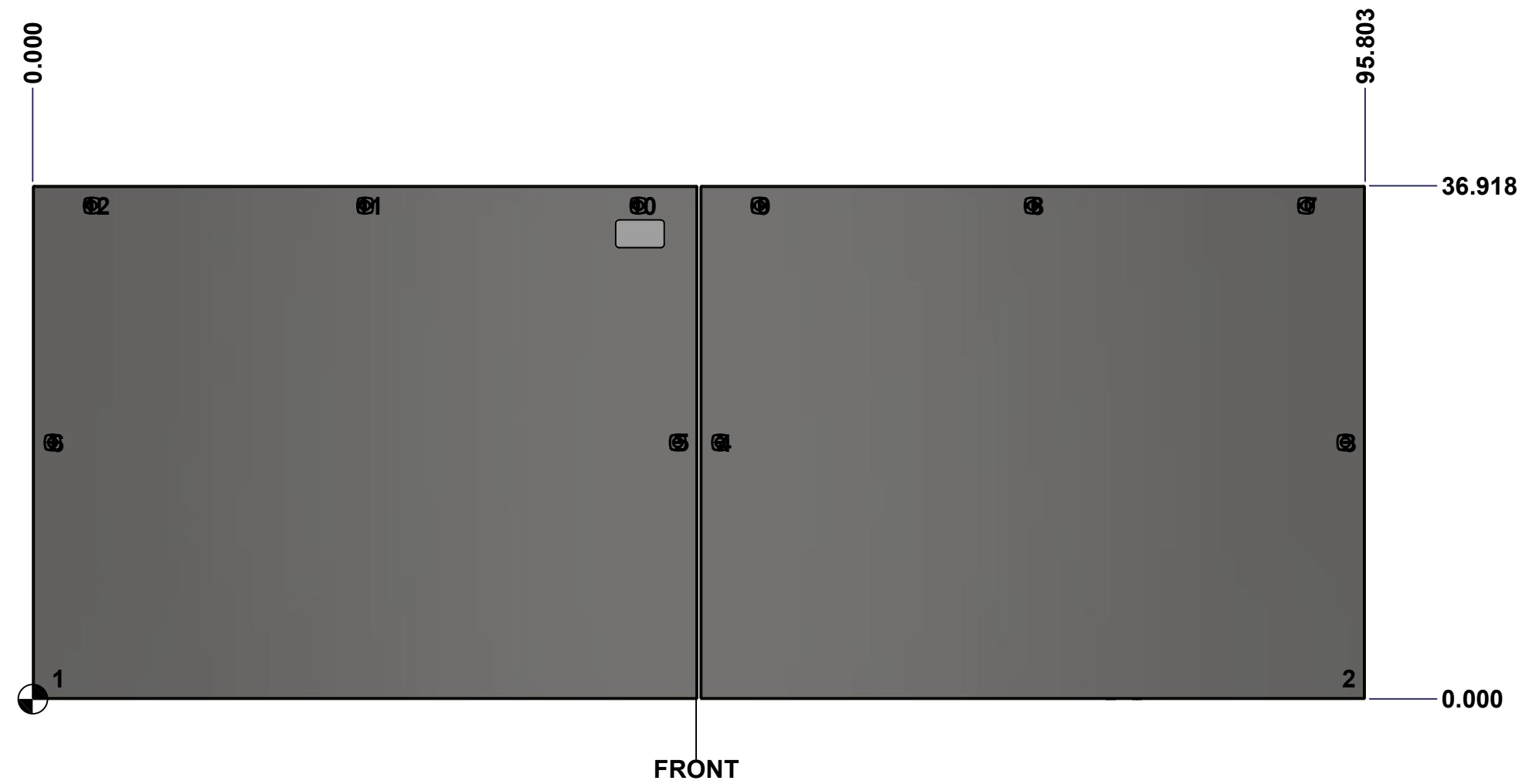
This drawing is confidential and must not be reproduced or used without the consent of Eurobox

Ce dessin est confidentiel et ne doit pas être reproduit ou utilisé sans le consentement de Eurobox

STANDARD FEATURES ARE NOT LISTED IN THIS HOLE TABLE

HOLE TABLE - FRONT VIEW (CUSTOM FEATURE ONLY)

CUT-OUT	XDIM	YDIM	DESCRIPTION
1	1.500	1.486	GND STUD M6 x 16mm (Inside)
2	94.303	1.486	GND STUD M6 x 16mm (Inside)
3	94.379	18.459	LOCK 880 SCQ4-SLSS6 @ 0.0°
4	49.424	18.459	LOCK 880 SCQ4-SLSS6 @ 180.0°
5	46.379	18.459	LOCK 880 SCQ4-SLSS6 @ 0.0°
6	1.424	18.459	LOCK 880 SCQ4-SLSS6 @ 180.0°
7	91.553	35.494	LOCK 880 SCQ4-SLSS6 @ 90.0°
8	71.902	35.494	LOCK 880 SCQ4-SLSS6 @ 90.0°
9	52.250	35.494	LOCK 880 SCQ4-SLSS6 @ 90.0°
10	43.553	35.494	LOCK 880 SCQ4-SLSS6 @ 90.0°
11	23.902	35.494	LOCK 880 SCQ4-SLSS6 @ 90.0°
12	4.250	35.494	LOCK 880 SCQ4-SLSS6 @ 90.0°



	Description	Status	
	1412BTSS 37" x 96" Cover	(NULL)	
	Part Number Numéro Pièce	Rev.	12
	1412BTSS082504DTC	0	17

This drawing is confidential and must not be reproduced or used without the consent of EXM

Ce dessin est confidentiel et ne doit pas être reproduit ou utilisé sans le consentement de EXM

No.	Revisions	Date	By/Par



Isometric View



Tél: (450) 979-4373
 Fax: (450) 979-4626
www.exmweb.com

Flatness
Aplatissement
Max 3.0mm
Projection

Customer Client	Date
Drawn By / Dessiné Par: BoxCad: BoxCad	Date: 26-Oct-22

Material / Matière: 14 Ga Stainless Steel 304 (1.7mm)

Color / Couleur: Unpainted	Finish / Fini: Brushed
----------------------------	------------------------

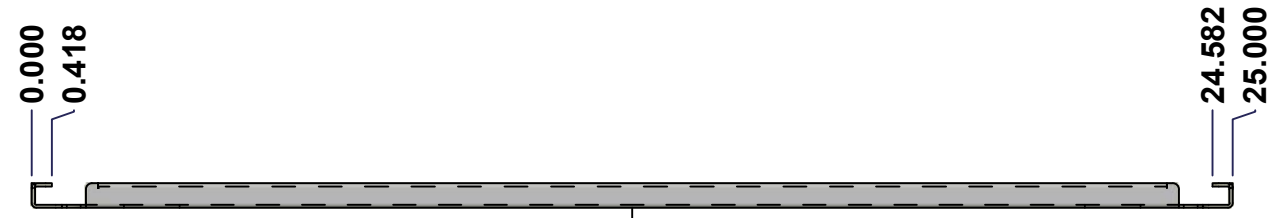
Description: 1412BTSS 37" x 96" Cover	Detail Rev.
---------------------------------------	-------------

Part Number / Numéro Pièce: 1412BTSS082504DTC	Rev. 0	13 / 17
--	---------------	---------

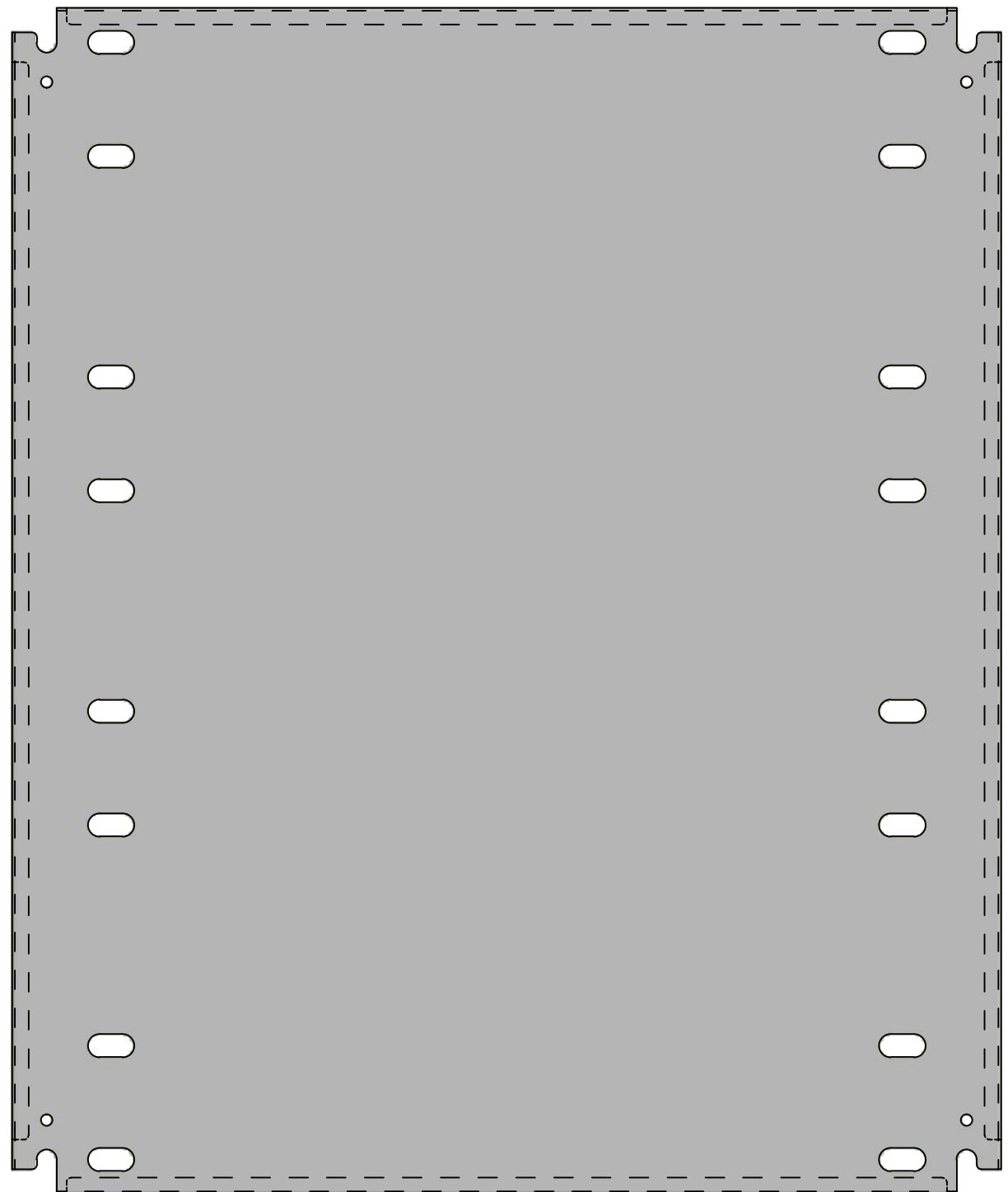
Qty	Part Name	Rev	Description
2	1412BTSS082504DTG	0	1412BTSS 37" x 96" Cover Gasket
8	STK-K-09850	6	5412 ESS Hinge with 2 Captive Hinge Pins
2	STK-Q-16095	0	M6 x 16mm Stainless Steel Ground Stud
1	STK-S-00100	0	3.5" x 2" Silver Milar Flexcon Sticker
1	1412BTSS082504DTC-P	0	1412BTSS 37" x 96" Cover Part
1	1412BTSS082504DTF-P	0	1412BTSS 37" x 96" Right Cover Part
10	880 SCQ4-SLSS6	7	5412 ESS 1/4 Turn Lock
Parts List			

This drawing is confidential and must not be reproduced or used without the consent of EXM

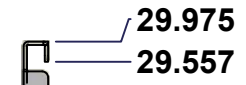
Ce dessin est confidentiel et ne doit pas être reproduit ou utilisé sans le consentement de EXM



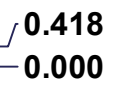
TOP



FRONT

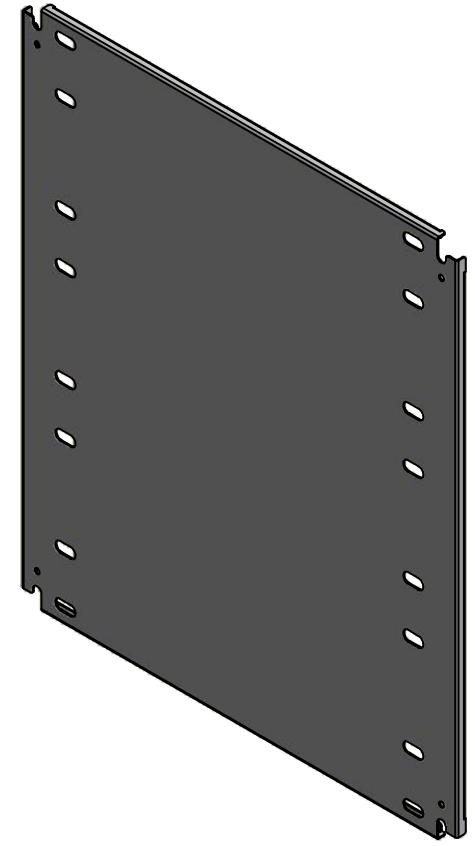


RIGHT



SEE BILL OF MATERIAL ON LAST PAGE

No.	Revisions	Date	By/Par



Isometric View

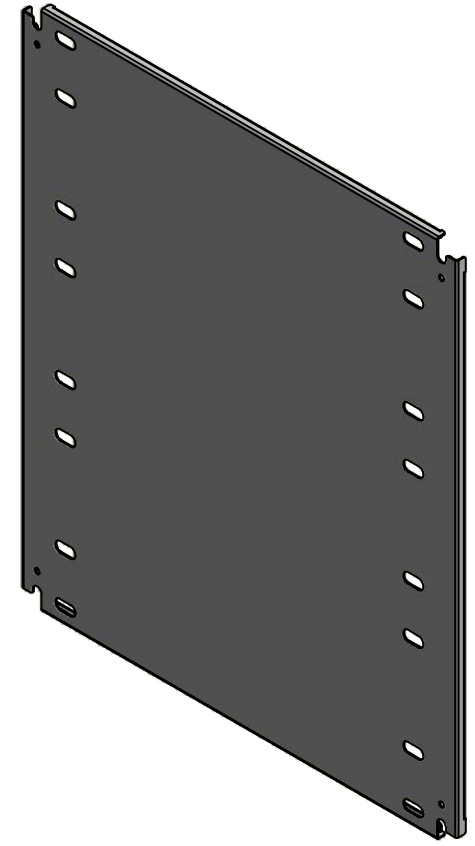


<p>Tél: (450) 979-4373 Fax: (450) 979-4626 www.exmweb.com</p>	Flatness Aplatissement	Max 3.0mm
	Projection	
Customer Client	Date	
Drawn By Dessiné Par	BoxCad: BoxCad	Date 26-Oct-22
Material Matière	14 Ga Cold Rolled A1008 CS Type B (1.7mm)	
Color Couleur	White RAL9003	Finish Fini Smooth
Description	Detail Rev.	
1412BTSS 29.975" x 65" Inner Panel		
Part Number Numéro Pièce	Rev.	14
1412BTSS082504DTIP1	0	17

This drawing is confidential and must not be reproduced or used without the consent of EXM

Ce dessin est confidentiel et ne doit pas être reproduit ou utilisé sans le consentement de EXM

No.	Revisions	Date	By/Par



Isometric View



Tél: (450) 979-4373
 Fax: (450) 979-4626
www.exmweb.com

Flatness
Aplatissement
Max 3.0mm
Projection

Customer Client	Date
Drawn By / Dessiné Par: BoxCad: BoxCad	Date: 26-Oct-22
Material / Matière: 14 Ga Cold Rolled A1008 CS Type B (1.7mm)	

Color / Couleur: White RAL9003	Finish / Fini: Smooth
--------------------------------	-----------------------

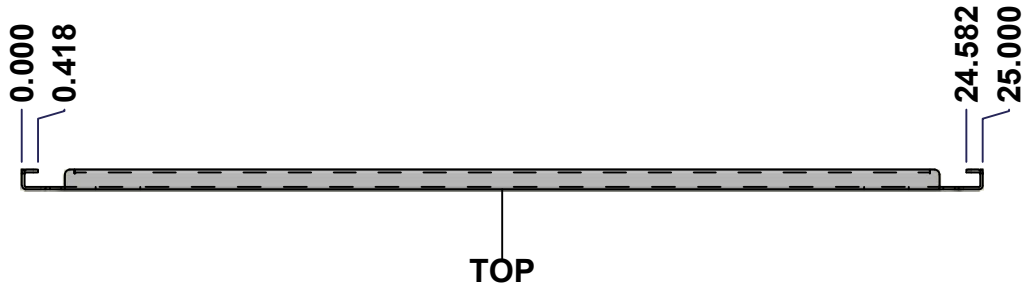
Description: 1412BTSS 29.975" x 65" Inner Panel	Detail Rev.
---	-------------

Qty	Part Number	Rev	Description
1	STK-P-02401S	0	Powder Paint (White / Smooth)
1	1412BTSS082504DTIP1-P	0	1412BTSS 29.975" x 96" Inner Panel Part
Parts List			

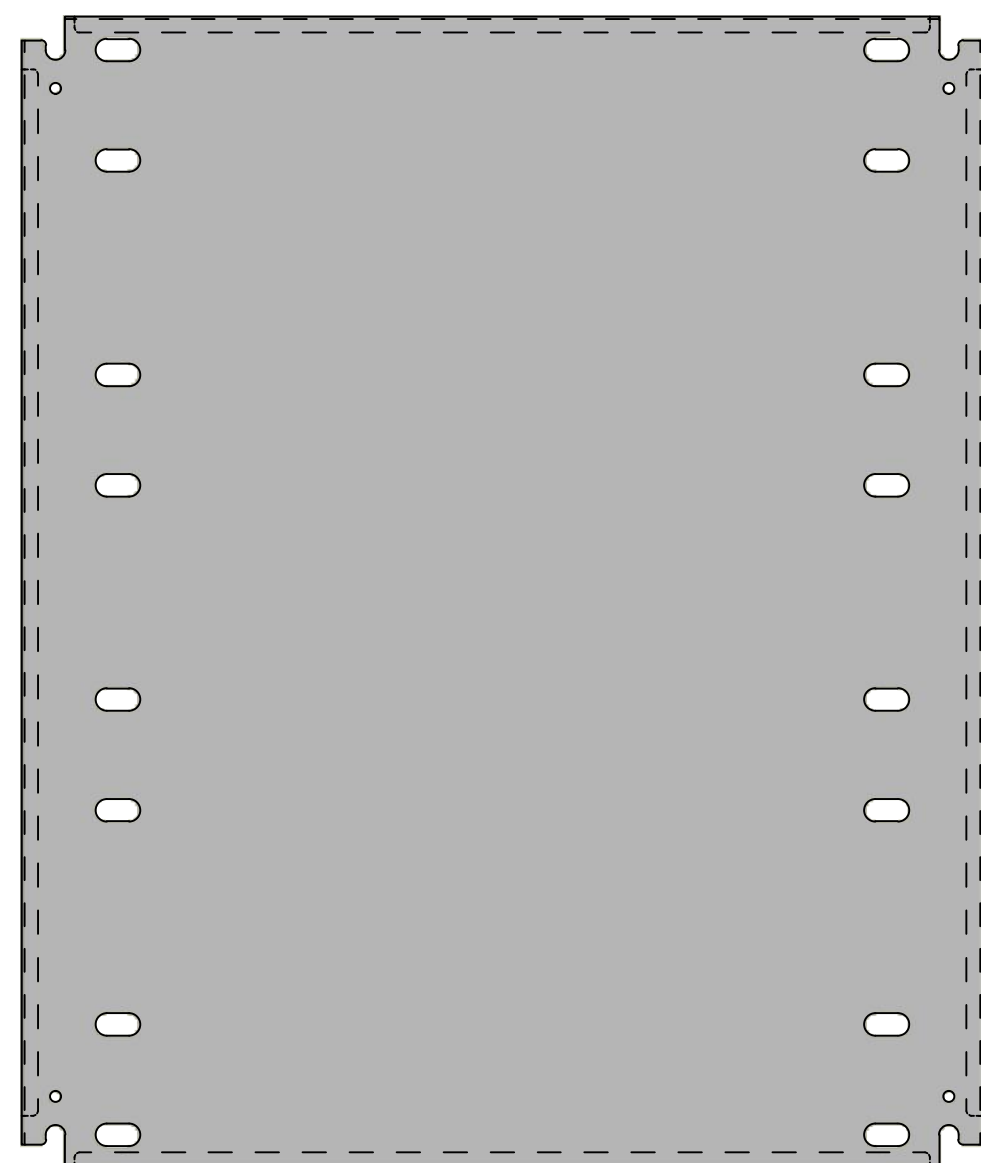
Part Number / Numéro Pièce: 1412BTSS082504DTIP1	Rev. / Révis: 0	15 / 17
--	------------------------	---------

This drawing is confidential and must not be reproduced or used without the consent of EXM

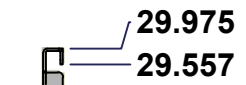
Ce dessin est confidentiel et ne doit pas être reproduit ou utilisé sans le consentement de EXM



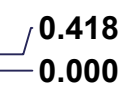
TOP



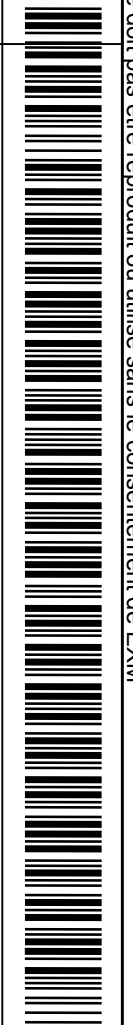
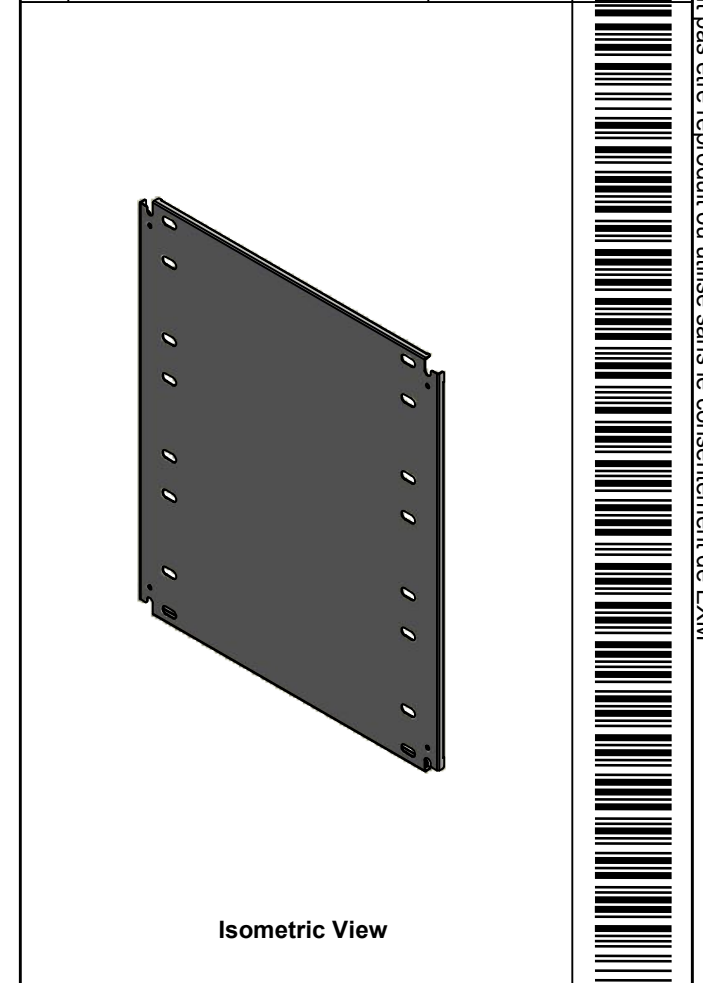
FRONT



RIGHT



No.	Revisions	Date	By/Par



<p>Tél: (450) 979-4373 Fax: (450) 979-4626 www.exmweb.com</p>		<p>Flatness Aplatissement Max 3.0mm</p> <p>Projection</p>
Customer Client	Date	
Drawn By Dessiné Par	BoxCad: BoxCad	Date 26-Oct-22
Material Matière	14 Ga Cold Rolled A1008 CS Type B (1.7mm)	
Color Couleur	White RAL9003	Finish Fini Smooth
Description 1412BTSS 29.975" x 28" Right Inner Panel		Detail Rev.
Part Number Numéro Pièce	Rev. 0	16 17

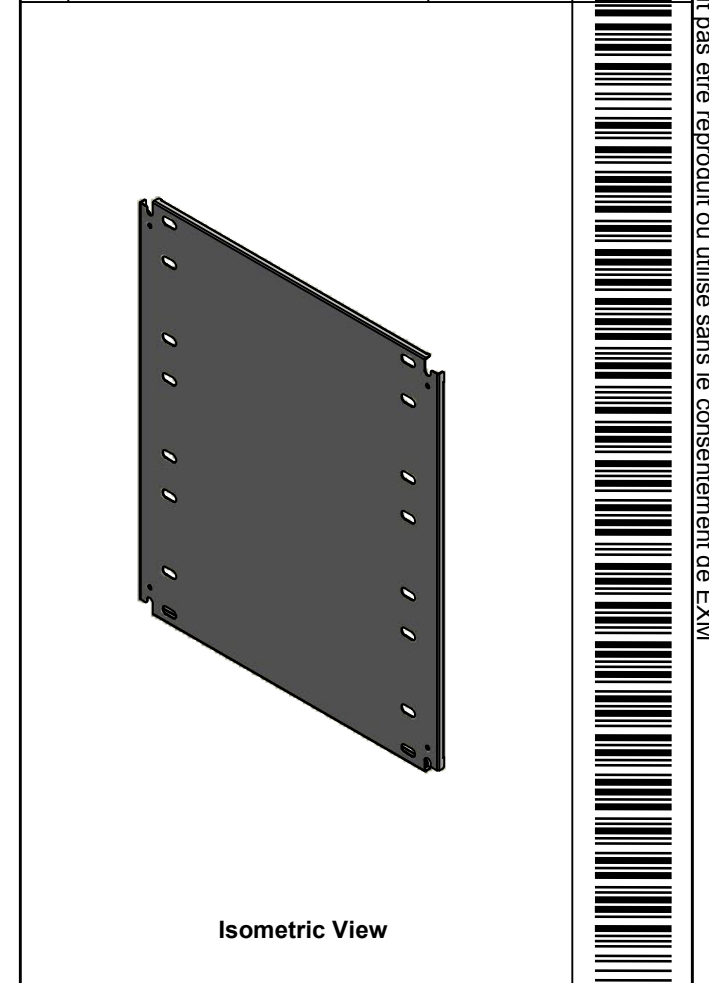
SEE BILL OF MATERIAL ON LAST PAGE

1412BTSS082504DTIP2

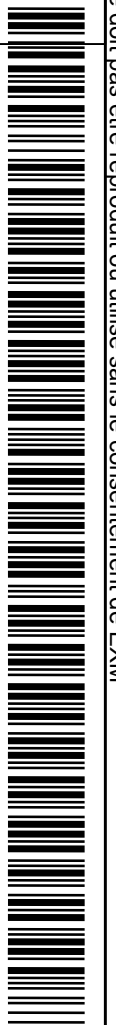
This drawing is confidential and must not be reproduced or used without the consent of EXM


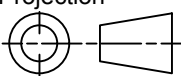
Ce dessin est confidentiel et ne doit pas être reproduit ou utilisé sans le consentement de EXM

No.	Revisions	Date	By/Par



Isometric View



 Tél: (450) 979-4373 Fax: (450) 979-4626 www.exmweb.com		Flatness Aplatissement Max 3.0mm Projection 
Customer Client	Date	
Drawn By Dessiné Par	BoxCad: BoxCad	Date 26-Oct-22
Material Matière	14 Ga Cold Rolled A1008 CS Type B (1.7mm)	
Color Couleur	White RAL9003	Finish Fini Smooth
Description		Detail Rev.
1412BTSS 29.975" x 28" Right Inner Panel		
Part Number Numéro Pièce	Rev. 0	17 / 17
1412BTSS082504DTIP2		

Qty	Part Number	Rev	Description
1	STK-P-02401S	0	Powder Paint (White / Smooth)
1	1412BTSS082504DTIP2-P	0	1412BTSS 29.975" x 96" Right Inner Panel Part
Parts List			