

This drawing is confidential and must not be reproduced or used without the consent of EXM

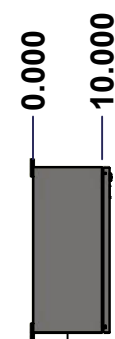
Ce dessin est confidentiel et ne doit pas être reproduit ou utilisé sans le consentement de EXM



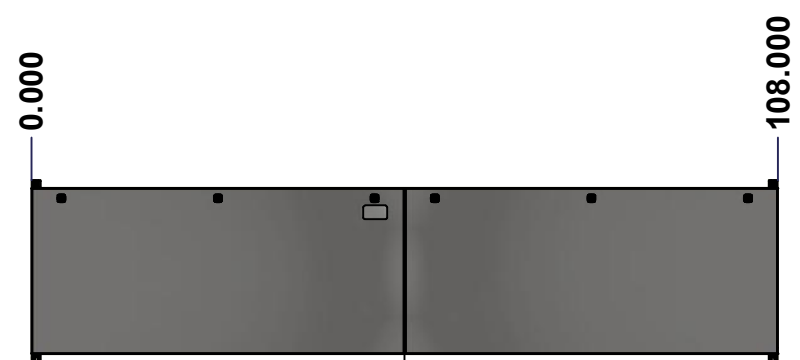
TOP



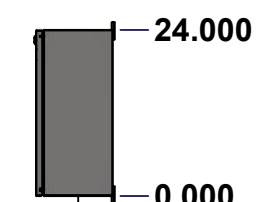
LEFT



LEFT



FRONT

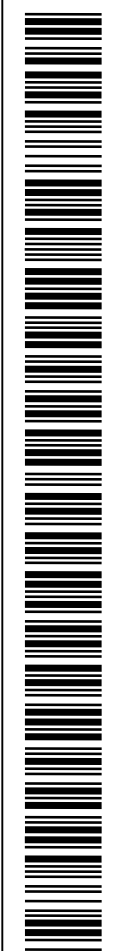
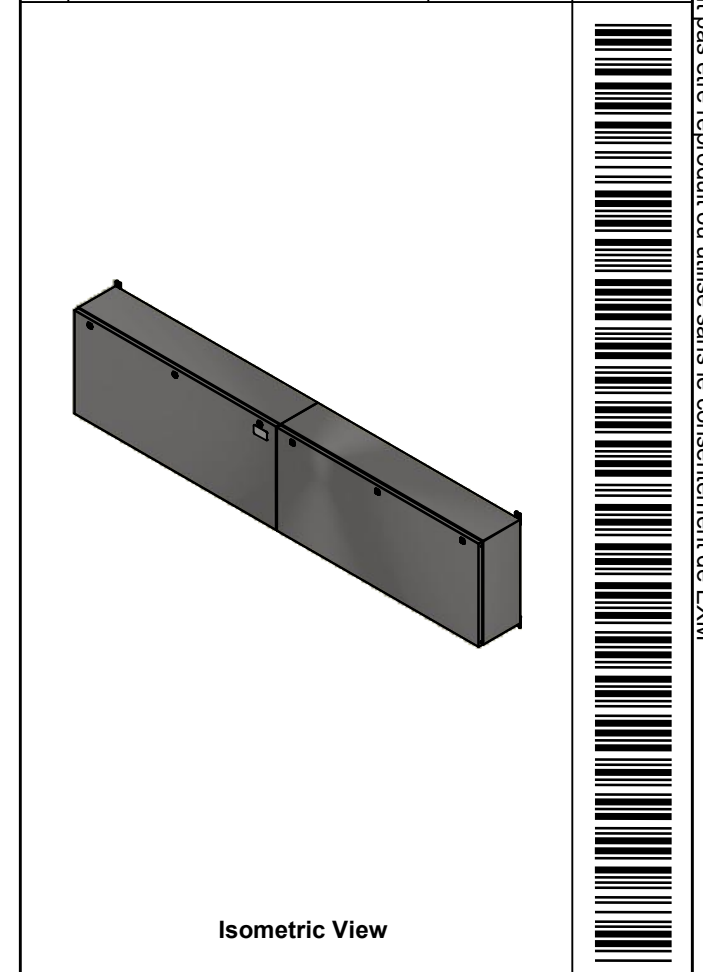



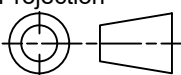
RIGHT



BOTTOM

No.	Revisions	Date	By/Par



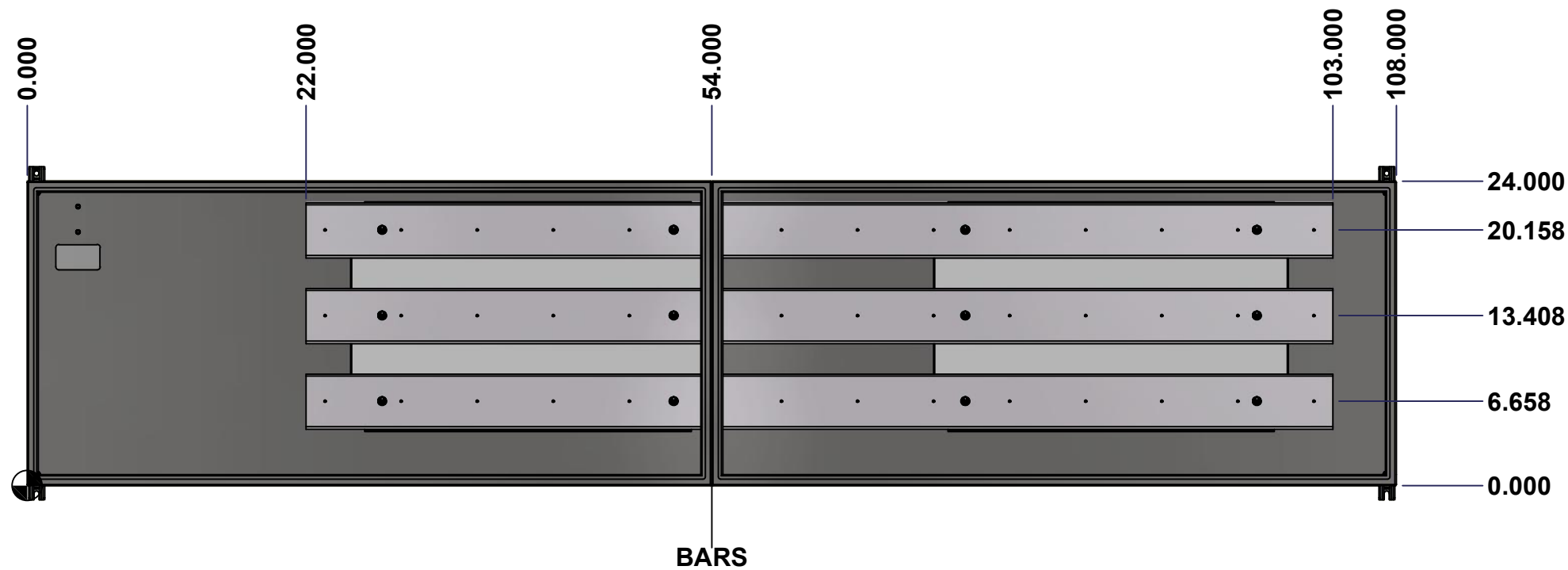
 Tél: (450) 979-4373 Fax: (450) 979-4626 <a href="http://www.exmweb.com">www.exmweb.com</a>		Flatness Aplatissement Max 3.0mm Projection 
Customer Client	Date	
Drawn By Dessiné Par	BoxCad: BoxCad	Date 2022-10-27
Material Matière	14 Ga Stainless Steel 304 (1.7mm)	
Color Couleur	Unpainted	Finish Fini Brushed
Description	Detail Rev.	
1412BTSS 1000A - 3Wires x 108" Assembly		
Part Number Numéro Pièce	Rev.	1
1412BTSS091003DT	0	16

SEE BILL OF MATERIAL ON LAST PAGE

This drawing is confidential and must not be reproduced or used without the consent of Eurobox

Ce dessin est confidentiel et ne doit pas être reproduit ou utilisé sans le consentement de Eurobox

**STANDARD FEATURES ARE NOT LISTED IN THIS HOLE TABLE**



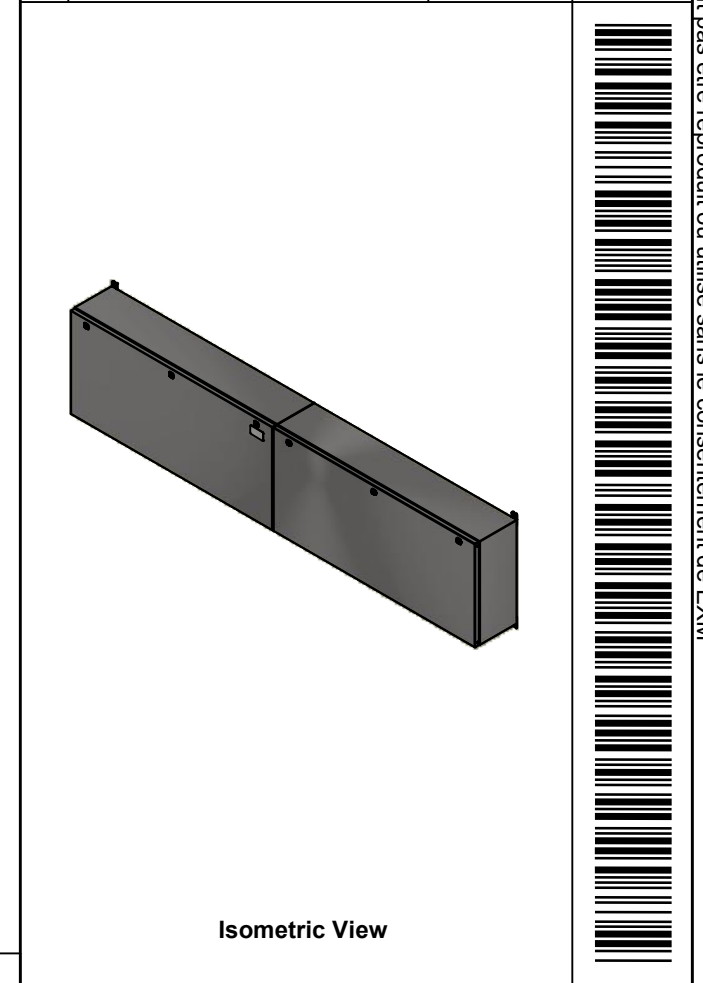
	Description 1412BTSS 1000A - 3Wires x 108" Assembly		Status (NULL)
	Part Number Numéro Pièce <b>1412BTSS091003DT</b>		Rev. 2 <b>0</b>

This drawing is confidential and must not be reproduced or used without the consent of EXM

Ce dessin est confidentiel et ne doit pas être reproduit ou utilisé sans le consentement de EXM

NOTE	
ITEM	DESCRIPTION
1	NEMA 4X Enclosure
2	C/W Standard ground studs on box and cover
3	W/O Standard door stiffener
4	C/W Special inner panel (Sold separately)
5	C/W Standard inner panel mounting studs

No.	Revisions	Date	By/Par



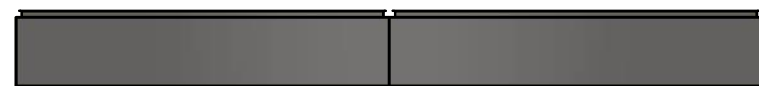
PACKING		
ITEM	QTY	DESCRIPTION
Cardboard sleeve	2	Top and Bottom
Cardboard strip	2	Between back of enclosure and inner panel
Plastic bag	1	To protect cover surface and inside gasket
Cardboard corner	4	To reinforced for the plastic strap tightening
Plastic strap - Black	2	To Squeeze 2 cardboard sleeve together
Packaging label	3	White label with PN
Plastic strap- Green	2	To secure the enclosure to the wood pallet
Wood Pallet	1	2" deeper and 3" larger than enclosure size

8	STK-Q-04051-07	8	M6 x 7mm Stainless Steel Hexagon Socket Head Machine Screw with Nyseal
1	885 ESMF2	0	885 ESMF2 Stainless Steel Mounting Feet Kit
1	1412BTSS091003DTIP2	0	1412BTSS 18.125" x 28" Right Inner Panel
1	1412BTSS091003DTBAR 1-P	0	Rounded Edge Aluminum Bar 3/8" x 4 1/2"
1	1412BTSS091003DTBAR 2-P	0	Rounded Edge Aluminum Bar 3/8" x 4 1/2"
1	1412BTSS091003DTBAR 3-P	0	Rounded Edge Aluminum Bar 3/8" x 4 1/2"
1	1412BTSS091003DTIP1	0	1412BTSS 18.125" x 28" Left Inner Panel
12	STK-A-67400	0	Buss Bar Insulator Kit
1	STK-K-01800	5	5412 ES Accessory Kit
20	STK-Q-07310	2	Flange Lock Nut M8
8	STK-Q-07610	8	M8 Plastic Spacer 22.2mm
1	1412BTSS091003DTB	0	1412BTSS 24" x 108" x 10" Body
1	1412BTSS091003DTC	0	1412BTSS 24" x 108" Cover
Qty	Part Number	Rev	Description
Parts List			

	Tél: (450) 979-4373 Fax: (450) 979-4626 <a href="http://www.exmweb.com">www.exmweb.com</a>	Flatness Aplatissement Max 3.0mm
	Projection 	Customer Client Date
Drawn By Dessiné Par BoxCad: BoxCad	Date 2022-10-27	Material Matière 14 Ga Stainless Steel 304 (1.7mm)
Color Couleur Unpainted	Finish Fini Brushed	Description 1412BTSS 1000A - 3Wires x 108" Assembly Detail Rev.
Part Number Numéro Pièce <b>1412BTSS091003DT</b>	Rev. 0	3 16

This drawing is confidential and must not be reproduced or used without the consent of EXM

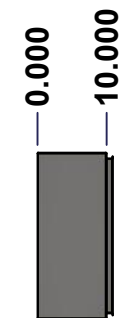
Ce dessin est confidentiel et ne doit pas être reproduit ou utilisé sans le consentement de EXM



TOP



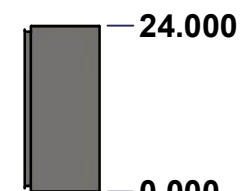
BACK



LEFT



FRONT

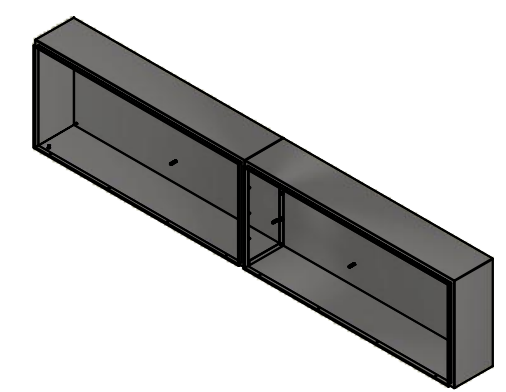


RIGHT

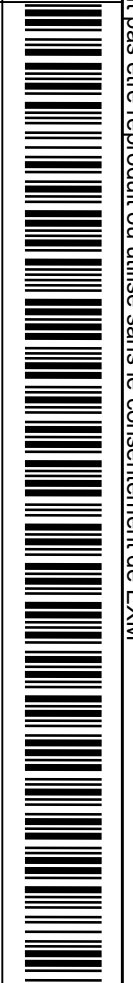



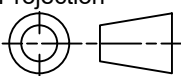
BOTTOM

No.	Revisions	Date	By/Par



Isometric View



 Tél: (450) 979-4373 Fax: (450) 979-4626 <a href="http://www.exmweb.com">www.exmweb.com</a>		Flatness Aplatissement Max 3.0mm Projection 
Customer Client	Date	
Drawn By Dessiné Par	BoxCad: BoxCad	Date 2022-10-27
Material Matière	14 Ga Stainless Steel 304 (1.7mm)	
Color Couleur	Unpainted	Finish Fini Brushed
Description	Detail Rev.	
1412BTSS 24" x 108" x 10" Body		
Part Number Numéro Pièce	Rev.	4
1412BTSS091003DTB	0	16

SEE BILL OF MATERIAL ON LAST PAGE

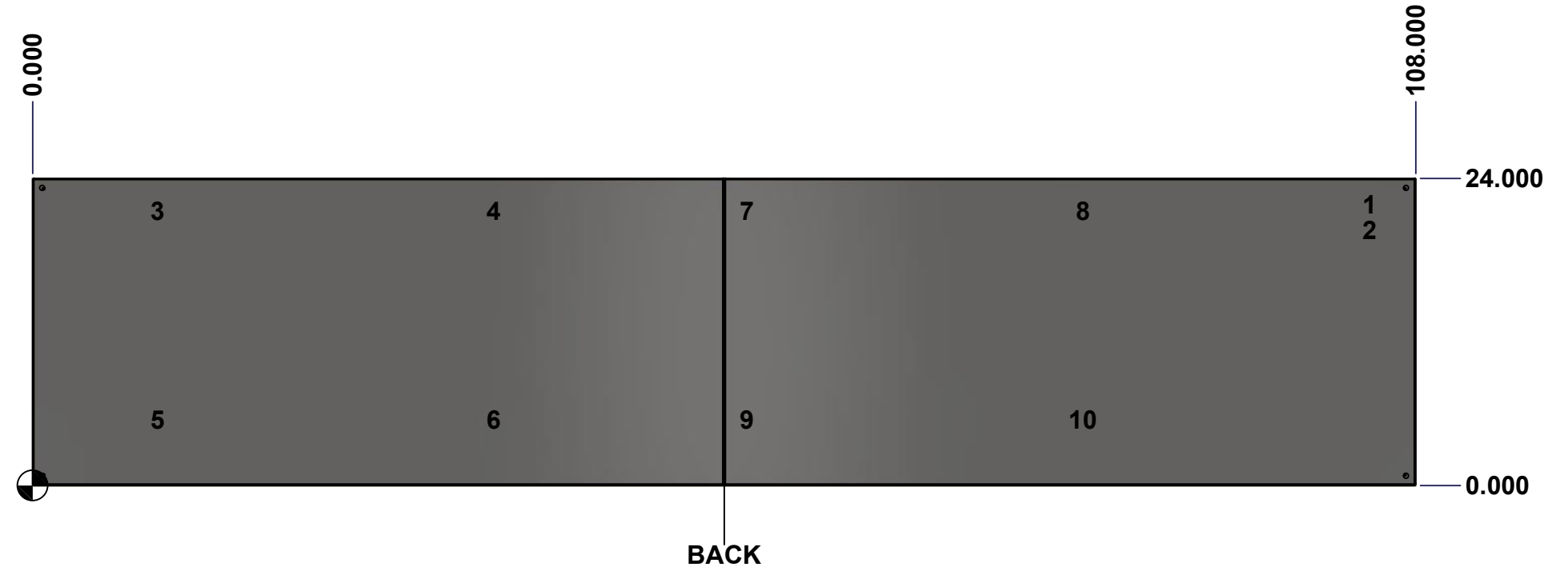
This drawing is confidential and must not be reproduced or used without the consent of Eurobox

Ce dessin est confidentiel et ne doit pas être reproduit ou utilisé sans le consentement de Eurobox

**STANDARD FEATURES ARE NOT LISTED IN THIS HOLE TABLE**

**HOLE TABLE - BACK VIEW (CUSTOM FEATURE ONLY)**

CUT-OUT	XDIM	YDIM	DESCRIPTION
1	104.000	22.000	GND STUD M8 x 35mm (Inside)
2	104.000	20.000	GND STUD M8 x 35mm (Inside)
3	9.375	21.500	IP STUD M8 x 35mm (Inside)
4	35.625	21.500	IP STUD M8 x 35mm (Inside)
5	9.375	5.125	IP STUD M8 x 35mm (Inside)
6	35.625	5.125	IP STUD M8 x 35mm (Inside)
7	55.375	21.500	IP STUD M8 x 35mm (Inside)
8	81.625	21.500	IP STUD M8 x 35mm (Inside)
9	55.375	5.125	IP STUD M8 x 35mm (Inside)
10	81.625	5.125	IP STUD M8 x 35mm (Inside)

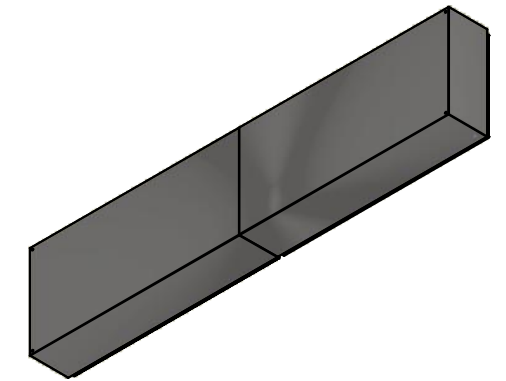


	Description	Status
	1412BTSS 24" x 108" x 10" Body	(NULL)
	Part Number	Rev.
	Numéro Pièce	5
	<b>1412BTSS091003DTB</b>	<b>0</b>
		16

This drawing is confidential and must not be reproduced or used without the consent of EXM


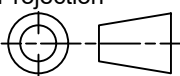
Ce dessin est confidentiel et ne doit pas être reproduit ou utilisé sans le consentement de EXM

No.	Revisions	Date	By/Par



Isometric View



 Tél: (450) 979-4373 Fax: (450) 979-4626 <a href="http://www.exmweb.com">www.exmweb.com</a>		Flatness Aplatissement Max 3.0mm
Customer Client		Projection 
Drawn By / Dessiné Par: BoxCad: BoxCad		Date: 2022-10-27
Material / Matière: 14 Ga Stainless Steel 304 (1.7mm)		
Color / Couleur: Unpainted	Finish / Fini: Brushed	
Description: 1412BTSS 24" x 108" x 10" Body		Detail Rev.
Part Number / Numéro Pièce: <b>1412BTSS091003DTB</b>		Rev. 0 / 6

Qty	Part Number	Rev	Description
1	1412BTSS091003DTB-P	0	1412BTSS 24" x 108" x 10" Left Body Part
1	1412BTSS091003DTE-P	0	1412BTSS 24" x 108" x 10" Right Body Part
1	STK-G-00701	0	1" x 1/4" Self-Adhesive Neoprene Gasket
10	STK-Q-00260	1	M6 x 13mm Carriage Bolt
10	STK-Q-07220	1	M6 Nylon Insert Lock Nut
10	STK-Q-16020	1	Stud M8 x 35mm Stainless Steel
2	STK-Q-16095	0	M6 x 16mm Stainless Steel Ground Stud
1	STK-S-00100	0	3.5" x 2" Silver Milar Flexcon Sticker
Parts List			

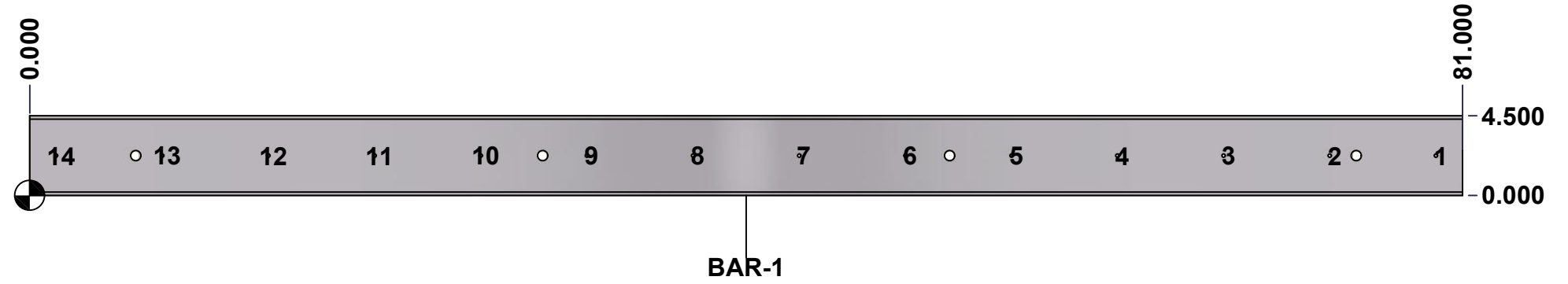
This drawing is confidential and must not be reproduced or used without the consent of Eurobox

Ce dessin est confidentiel et ne doit pas être reproduit ou utilisé sans le consentement de Eurobox

**STANDARD FEATURES ARE NOT LISTED IN THIS HOLE TABLE**

**HOLE TABLE - FRONT VIEW (CUSTOM FEATURE ONLY)**

CUT-OUT	XDIM	YDIM	DESCRIPTION
1	79.500	2.250	RND Ø0.201 THREAD 1/4-20 UNC
2	73.500	2.250	RND Ø0.201 THREAD 1/4-20 UNC
3	67.500	2.250	RND Ø0.201 THREAD 1/4-20 UNC
4	61.500	2.250	RND Ø0.201 THREAD 1/4-20 UNC
5	55.500	2.250	RND Ø0.201 THREAD 1/4-20 UNC
6	49.500	2.250	RND Ø0.201 THREAD 1/4-20 UNC
7	43.500	2.250	RND Ø0.201 THREAD 1/4-20 UNC
8	37.500	2.250	RND Ø0.201 THREAD 1/4-20 UNC
9	31.500	2.250	RND Ø0.201 THREAD 1/4-20 UNC
10	25.500	2.250	RND Ø0.201 THREAD 1/4-20 UNC
11	19.500	2.250	RND Ø0.201 THREAD 1/4-20 UNC
12	13.500	2.250	RND Ø0.201 THREAD 1/4-20 UNC
13	7.500	2.250	RND Ø0.201 THREAD 1/4-20 UNC
14	1.500	2.250	RND Ø0.201 THREAD 1/4-20 UNC

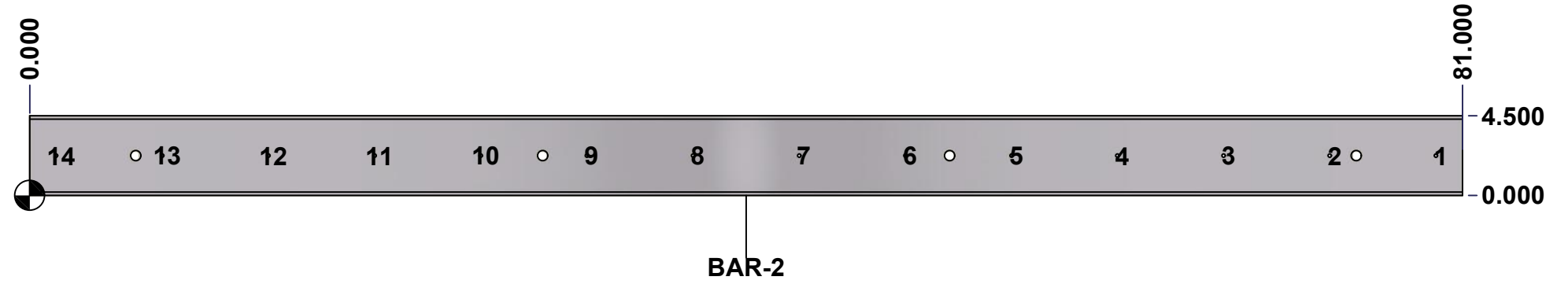


	Description	Status
	Rounded Edge Aluminum Bar 3/8" x 4 1/2"	(NULL)
	Part Number	Rev.
	Numéro Pièce	7
<b>1412BTSS091003DTBAR1-P 0</b>		16

This drawing is confidential and must not be reproduced or used without the consent of Eurobox

Ce dessin est confidentiel et ne doit pas être reproduit ou utilisé sans le consentement de Eurobox

STANDARD FEATURES ARE NOT LISTED IN THIS HOLE TABLE			
HOLE TABLE - FRONT VIEW (CUSTOM FEATURE ONLY)			
CUT-OUT	XDIM	YDIM	DESCRIPTION
1	79.500	2.250	RND Ø0.201 THREAD 1/4-20 UNC
2	73.500	2.250	RND Ø0.201 THREAD 1/4-20 UNC
3	67.500	2.250	RND Ø0.201 THREAD 1/4-20 UNC
4	61.500	2.250	RND Ø0.201 THREAD 1/4-20 UNC
5	55.500	2.250	RND Ø0.201 THREAD 1/4-20 UNC
6	49.500	2.250	RND Ø0.201 THREAD 1/4-20 UNC
7	43.500	2.250	RND Ø0.201 THREAD 1/4-20 UNC
8	37.500	2.250	RND Ø0.201 THREAD 1/4-20 UNC
9	31.500	2.250	RND Ø0.201 THREAD 1/4-20 UNC
10	25.500	2.250	RND Ø0.201 THREAD 1/4-20 UNC
11	19.500	2.250	RND Ø0.201 THREAD 1/4-20 UNC
12	13.500	2.250	RND Ø0.201 THREAD 1/4-20 UNC
13	7.500	2.250	RND Ø0.201 THREAD 1/4-20 UNC
14	1.500	2.250	RND Ø0.201 THREAD 1/4-20 UNC



	Description	Status
	Rounded Edge Aluminum Bar 3/8" x 4 1/2"	(NULL)
	Part Number	Rev.
	Numéro Pièce	8
<b>1412BTSS091003DTBAR2-P 0</b>		16



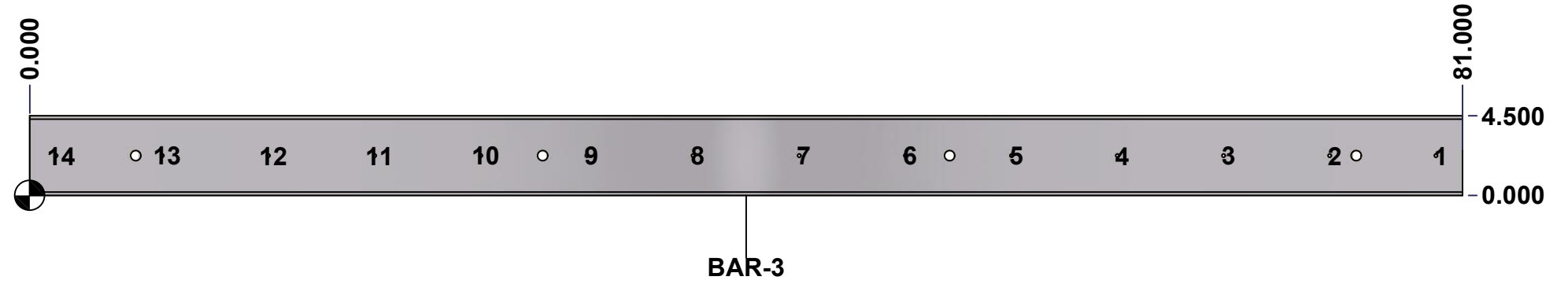
This drawing is confidential and must not be reproduced or used without the consent of Eurobox

Ce dessin est confidentiel et ne doit pas être reproduit ou utilisé sans le consentement de Eurobox

**STANDARD FEATURES ARE NOT LISTED IN THIS HOLE TABLE**

**HOLE TABLE - FRONT VIEW (CUSTOM FEATURE ONLY)**

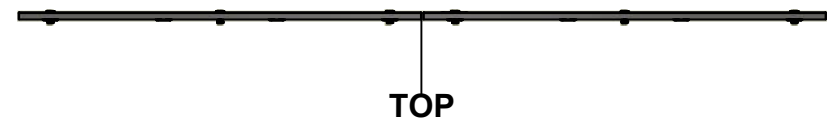
CUT-OUT	XDIM	YDIM	DESCRIPTION
1	79.500	2.250	RND Ø0.201 THREAD 1/4-20 UNC
2	73.500	2.250	RND Ø0.201 THREAD 1/4-20 UNC
3	67.500	2.250	RND Ø0.201 THREAD 1/4-20 UNC
4	61.500	2.250	RND Ø0.201 THREAD 1/4-20 UNC
5	55.500	2.250	RND Ø0.201 THREAD 1/4-20 UNC
6	49.500	2.250	RND Ø0.201 THREAD 1/4-20 UNC
7	43.500	2.250	RND Ø0.201 THREAD 1/4-20 UNC
8	37.500	2.250	RND Ø0.201 THREAD 1/4-20 UNC
9	31.500	2.250	RND Ø0.201 THREAD 1/4-20 UNC
10	25.500	2.250	RND Ø0.201 THREAD 1/4-20 UNC
11	19.500	2.250	RND Ø0.201 THREAD 1/4-20 UNC
12	13.500	2.250	RND Ø0.201 THREAD 1/4-20 UNC
13	7.500	2.250	RND Ø0.201 THREAD 1/4-20 UNC
14	1.500	2.250	RND Ø0.201 THREAD 1/4-20 UNC



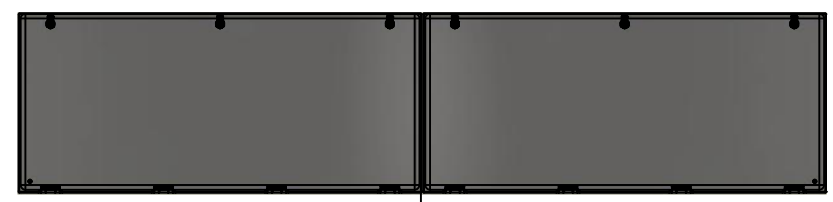
	Description	Status
	Rounded Edge Aluminum Bar 3/8" x 4 1/2"	(NULL)
	Part Number	Rev.
	Numéro Pièce	9
<b>1412BTSS091003DTBAR3-P 0</b>		16

This drawing is confidential and must not be reproduced or used without the consent of EXM

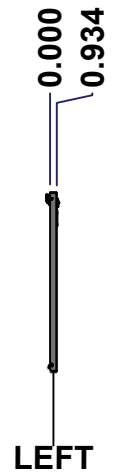
Ce dessin est confidentiel et ne doit pas être reproduit ou utilisé sans le consentement de EXM



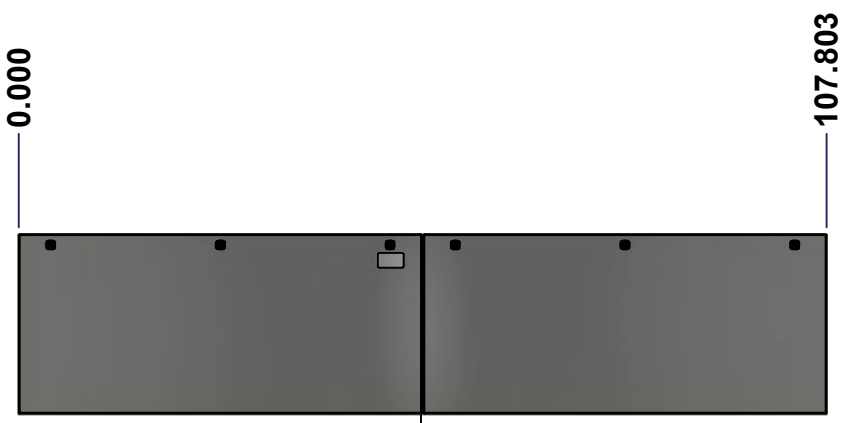
TOP



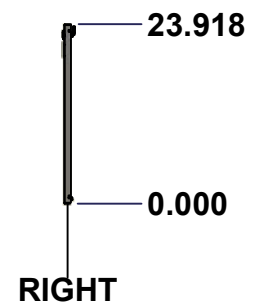
BACK



LEFT



FRONT



RIGHT



BOTTOM

No.	Revisions	Date	By/Par

**Isometric View**

Tél: (450) 979-4373 Fax: (450) 979-4626 <a href="http://www.exmweb.com">www.exmweb.com</a>		Flatness Aplatissement
		Max 3.0mm
Projection 		Date
Customer Client	BoxCad: BoxCad	Date
Drawn By Dessiné Par	2022-10-27	
Material Matière	14 Ga Stainless Steel 304 (1.7mm)	
Color Couleur	Unpainted	Finish Fini Brushed
Description	Detail Rev.	
1412BTSS 24" x 108" Cover		
Part Number Numéro Pièce	Rev.	
<b>1412BTSS091003DTC</b>	<b>0</b>	10 16

**SEE BILL OF MATERIAL ON LAST PAGE**

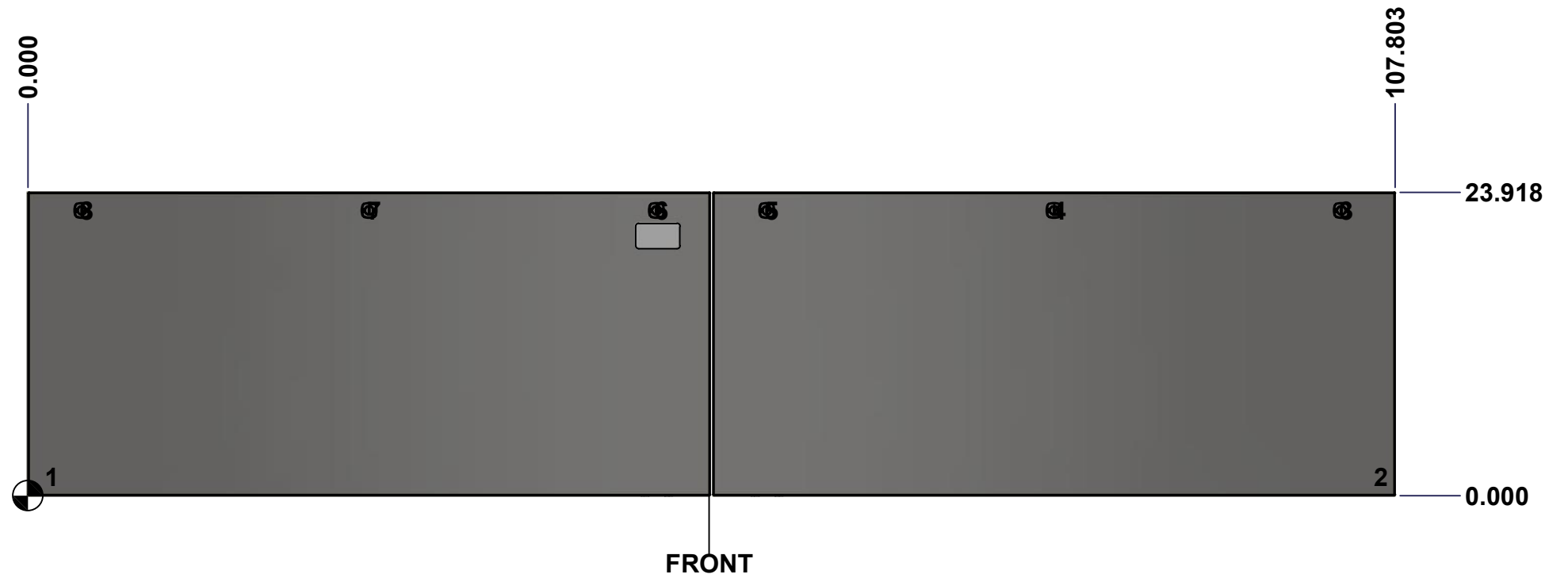
This drawing is confidential and must not be reproduced or used without the consent of Eurobox

Ce dessin est confidentiel et ne doit pas être reproduit ou utilisé sans le consentement de Eurobox

**STANDARD FEATURES ARE NOT LISTED IN THIS HOLE TABLE**

**HOLE TABLE - FRONT VIEW (CUSTOM FEATURE ONLY)**

CUT-OUT	XDIM	YDIM	DESCRIPTION
1	1.500	1.486	GND STUD M6 x 16mm (Inside)
2	106.303	1.486	GND STUD M6 x 16mm (Inside)
3	103.553	22.494	LOCK 880 SCQ4-SLSS6 @ 90.0°
4	80.902	22.494	LOCK 880 SCQ4-SLSS6 @ 90.0°
5	58.250	22.494	LOCK 880 SCQ4-SLSS6 @ 90.0°
6	49.553	22.494	LOCK 880 SCQ4-SLSS6 @ 90.0°
7	26.902	22.494	LOCK 880 SCQ4-SLSS6 @ 90.0°
8	4.250	22.494	LOCK 880 SCQ4-SLSS6 @ 90.0°

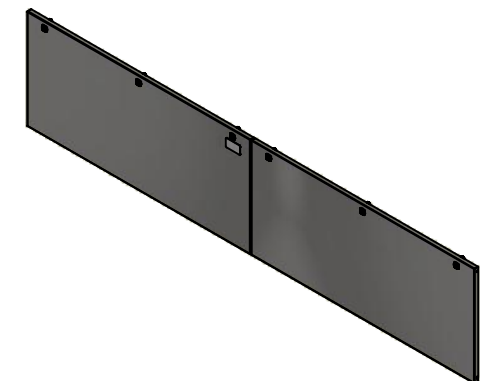


	Description	Status	
	1412BTSS 24" x 108" Cover	(NULL)	
	Part Number Numéro Pièce	Rev.	11
	<b>1412BTSS091003DTC</b>	<b>0</b>	16

This drawing is confidential and must not be reproduced or used without the consent of EXM

Ce dessin est confidentiel et ne doit pas être reproduit ou utilisé sans le consentement de EXM

No.	Revisions	Date	By/Par



Isometric View



Tél: (450) 979-4373  
 Fax: (450) 979-4626  
[www.exmweb.com](http://www.exmweb.com)

Flatness  
Aplatissement  
Max 3.0mm  
Projection

Customer Client	Date
Drawn By / Dessiné Par: BoxCad: BoxCad	Date: 2022-10-27

Material / Matière: 14 Ga Stainless Steel 304 (1.7mm)

Color / Couleur: Unpainted	Finish / Fini: Brushed
----------------------------	------------------------

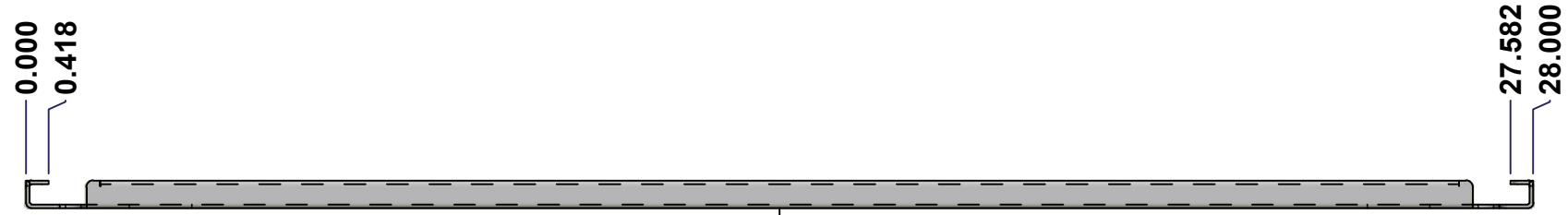
Description: 1412BTSS 24" x 108" Cover	Detail Rev.
--	-------------

Part Number / Numéro Pièce: <b>1412BTSS091003DTC</b>	Rev. <b>0</b>	12 / 16
--	---------------	---------

Qty	Part Name	Rev	Description
2	1412BTSS091003DTG	0	1412BTSS 24" x 108" Cover Gasket
8	STK-K-09850	6	5412 ESS Hinge with 2 Captive Hinge Pins
2	STK-Q-16095	0	M6 x 16mm Stainless Steel Ground Stud
1	STK-S-00100	0	3.5" x 2" Silver Milar Flexcon Sticker
1	1412BTSS091003DTC-P	0	1412BTSS 24" x 54" Left Cover Part
1	1412BTSS091003DTF-P	0	1412BTSS 24" x 108" Right Cover Part
6	880 SCQ4-SLSS6	7	5412 ESS 1/4 Turn Lock
Parts List			

This drawing is confidential and must not be reproduced or used without the consent of EXM

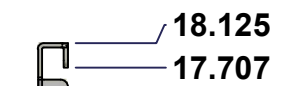
Ce dessin est confidentiel et ne doit pas être reproduit ou utilisé sans le consentement de EXM



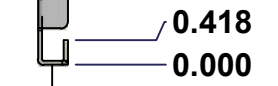
TOP



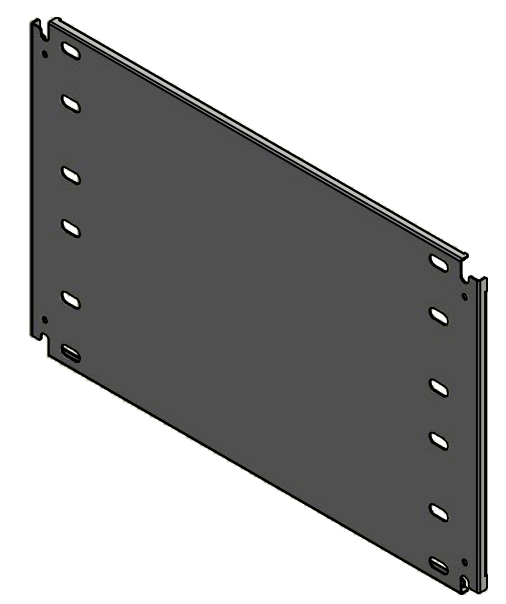
FRONT



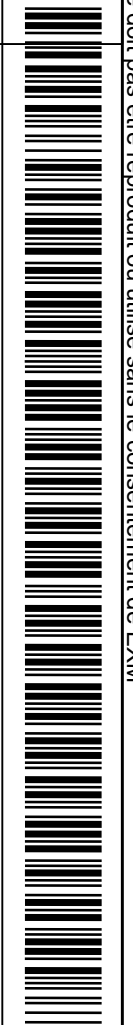
RIGHT



No.	Revisions	Date	By/Par



Isometric View



Tél: (450) 979-4373  
 Fax: (450) 979-4626  
[www.exmweb.com](http://www.exmweb.com)

Flatness  
Aplatissement  
Max 3.0mm  
Projection

Customer Client	Date
Drawn By / Dessiné Par: BoxCad: BoxCad	Date: 2022-10-27
Material / Matière: 14 Ga Cold Rolled A1008 CS Type B (1.7mm)	
Color / Couleur: White RAL9003	Finish / Fini: Smooth

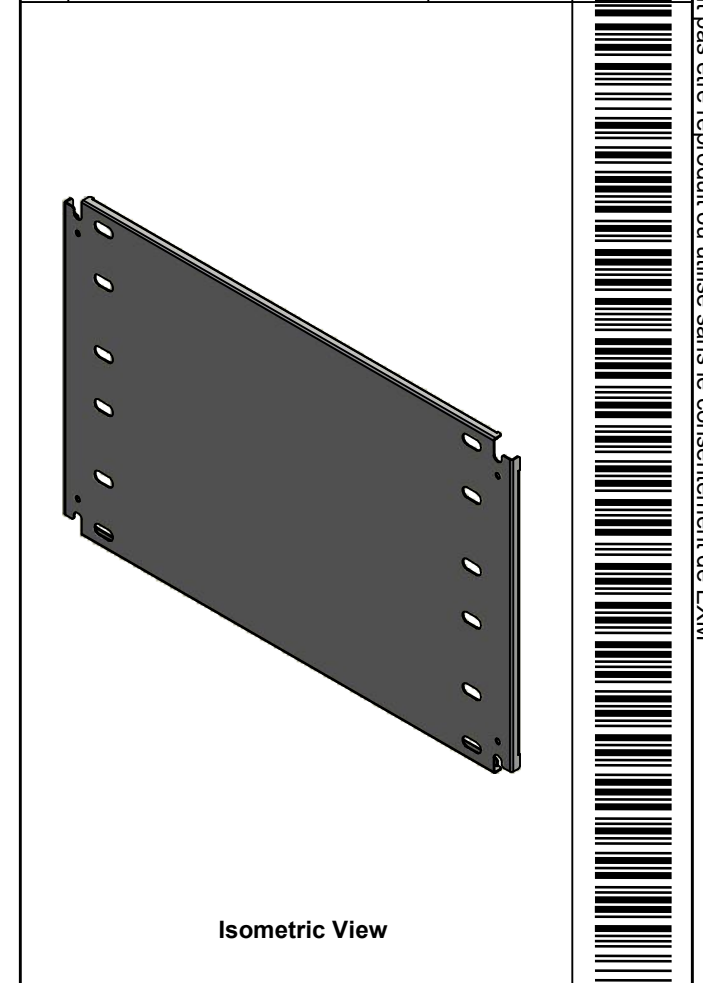
Description: 1412BTSS 18.125" x 28" Left Inner Panel		Detail Rev.
Part Number / Numéro Pièce: 1412BTSS091003DTIP1	Rev.: 0	13


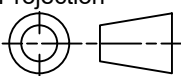
SEE BILL OF MATERIAL ON LAST PAGE

This drawing is confidential and must not be reproduced or used without the consent of EXM

Ce dessin est confidentiel et ne doit pas être reproduit ou utilisé sans le consentement de EXM

No.	Revisions	Date	By/Par

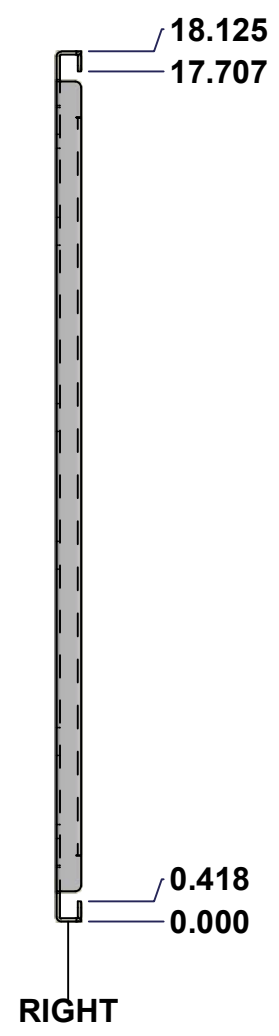
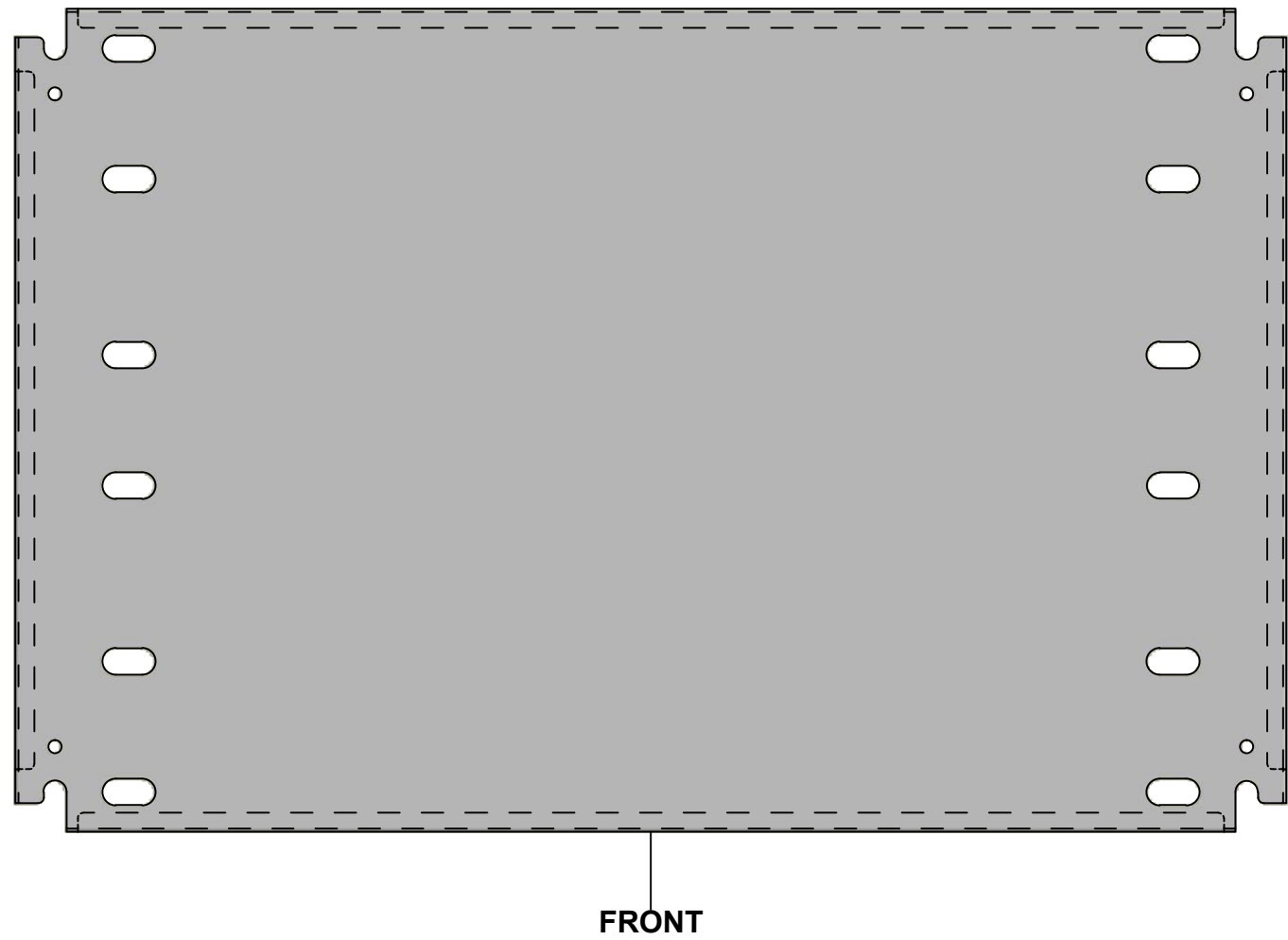
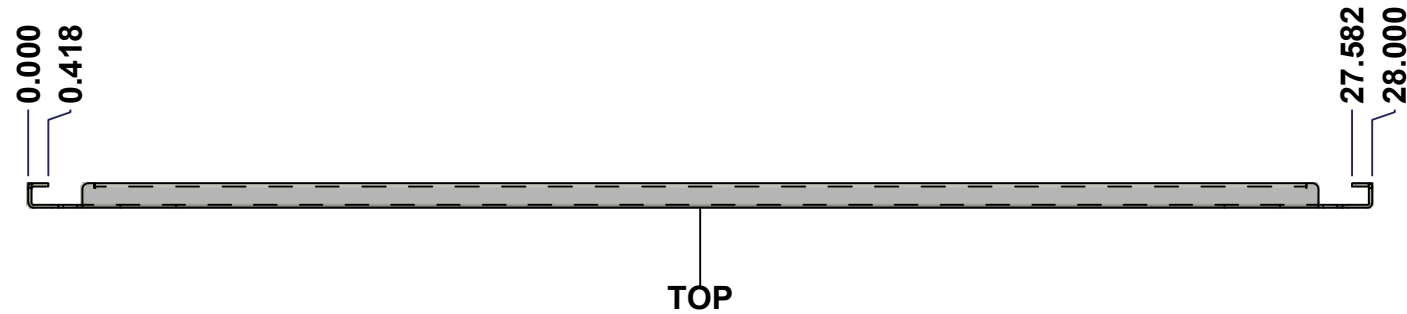


 Tél: (450) 979-4373 Fax: (450) 979-4626 <a href="http://www.exmweb.com">www.exmweb.com</a>		Flatness Aplatissement Max 3.0mm Projection 
Customer Client	Date	
Drawn By Dessiné Par	BoxCad: BoxCad	Date 2022-10-27
Material Matière	14 Ga Cold Rolled A1008 CS Type B (1.7mm)	
Color Couleur	White RAL9003	Finish Fini Smooth
Description		Detail Rev.
1412BTSS 18.125" x 28" Left Inner Panel		
Part Number Numéro Pièce	Rev. 0	14 / 16

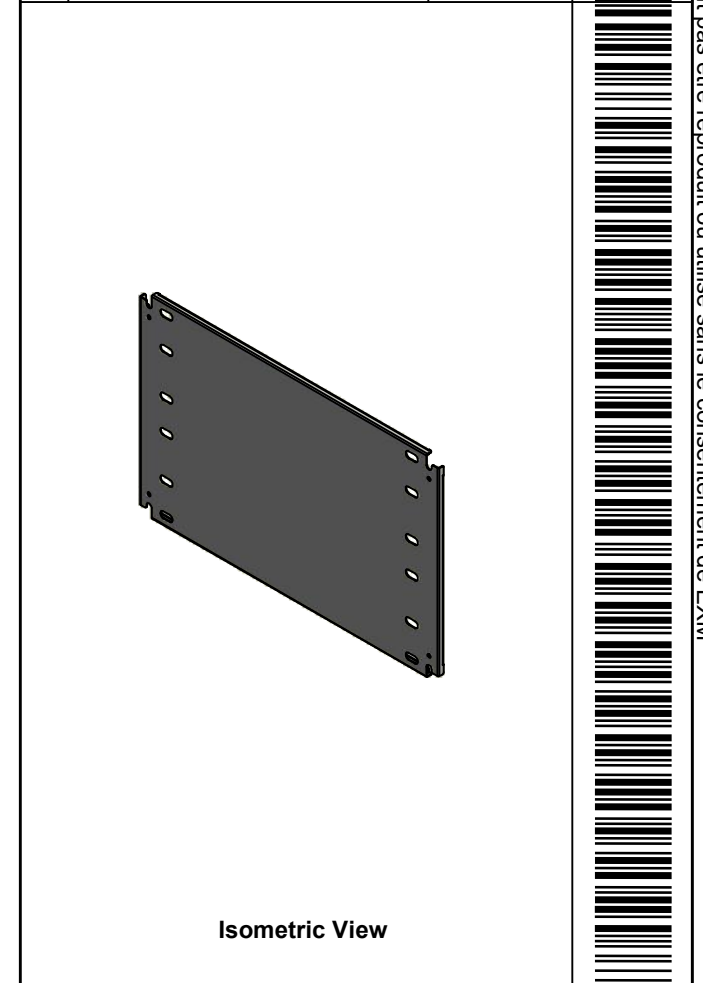
Qty	Part Number	Rev	Description
1	STK-P-02401S	0	Powder Paint (White / Smooth)
1	1412BTSS091003DTIP1-P	0	1412BTSS 18.125" x 108" Left Inner Panel Part
Parts List			


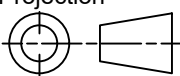
This drawing is confidential and must not be reproduced or used without the consent of EXM

Ce dessin est confidentiel et ne doit pas être reproduit ou utilisé sans le consentement de EXM



No.	Revisions	Date	By/Par



 Tél: (450) 979-4373 Fax: (450) 979-4626 <a href="http://www.exmweb.com">www.exmweb.com</a>		Flatness Aplatissement Max 3.0mm Projection 
Customer Client	Date	
Drawn By Dessiné Par	BoxCad: BoxCad	Date 2022-10-27
Material Matière	14 Ga Cold Rolled A1008 CS Type B (1.7mm)	
Color Couleur	White RAL9003	Finish Fini Smooth
Description 1412BTSS 18.125" x 28" Right Inner Panel		Detail Rev.
Part Number Numéro Pièce	Rev. 0	15 16

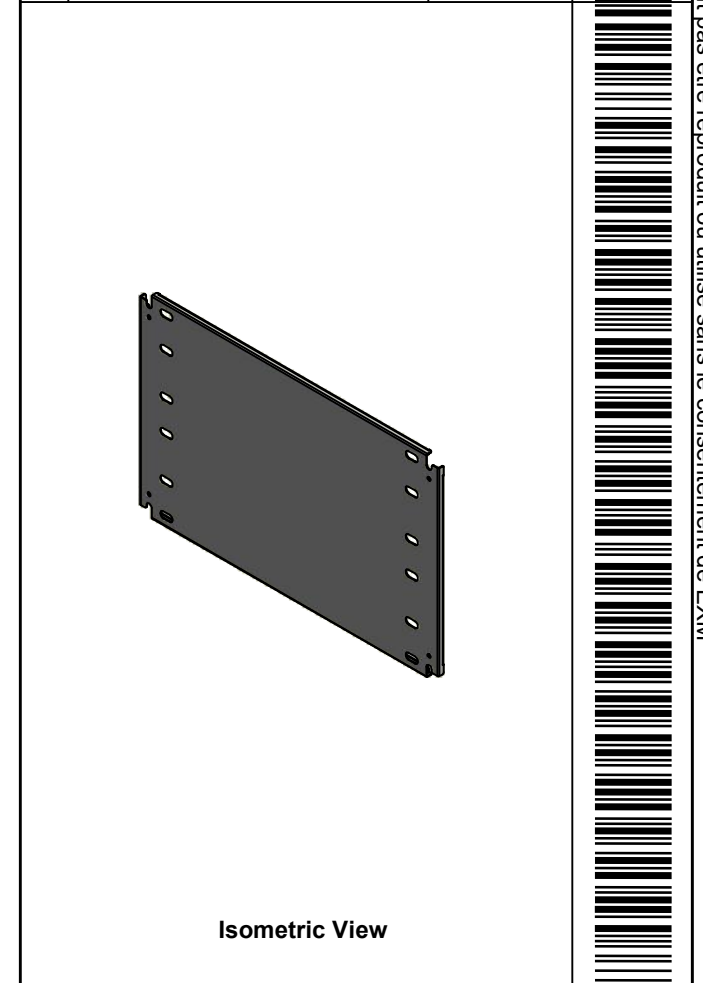
SEE BILL OF MATERIAL ON LAST PAGE

**1412BTSS091003DTIP2**


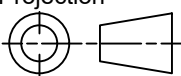
This drawing is confidential and must not be reproduced or used without the consent of EXM

Ce dessin est confidentiel et ne doit pas être reproduit ou utilisé sans le consentement de EXM

No.	Revisions	Date	By/Par



Isometric View

 Tél: (450) 979-4373 Fax: (450) 979-4626 <a href="http://www.exmweb.com">www.exmweb.com</a>		Flatness Aplatissement Max 3.0mm Projection 
Customer Client	Date	
Drawn By Dessiné Par	BoxCad: BoxCad	Date 2022-10-27
Material Matière	14 Ga Cold Rolled A1008 CS Type B (1.7mm)	
Color Couleur	White RAL9003	Finish Fini Smooth
Description		Detail Rev.
1412BTSS 18.125" x 28" Right Inner Panel		
Part Number Numéro Pièce	Rev. 0	16 / 16

Qty	Part Number	Rev	Description
1	STK-P-02401S	0	Powder Paint (White / Smooth)
1	1412BTSS091003DTIP2-P	0	1412BTSS 18.125" x 108" Right Inner Panel Part
Parts List			