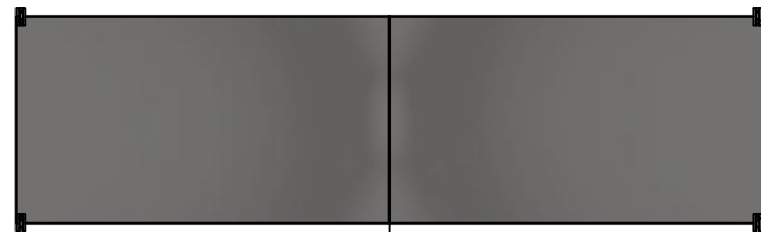


This drawing is confidential and must not be reproduced or used without the consent of EXM

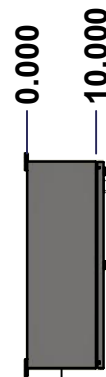
Ce dessin est confidentiel et ne doit pas être reproduit ou utilisé sans le consentement de EXM



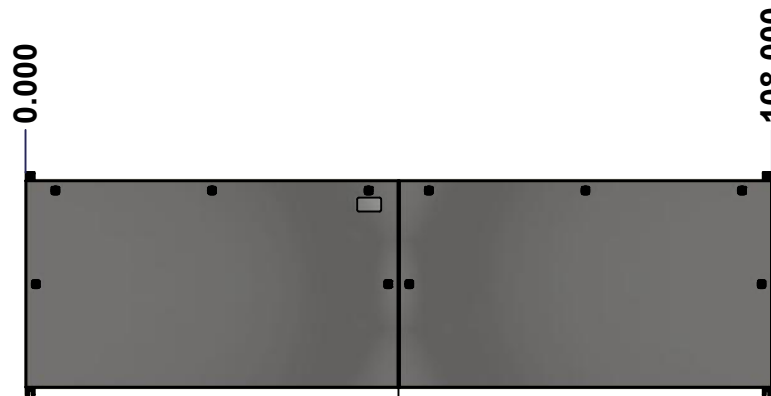
TOP



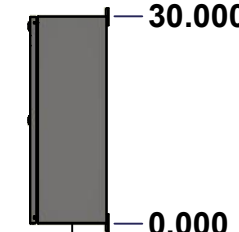
LEFT



LEFT



FRONT

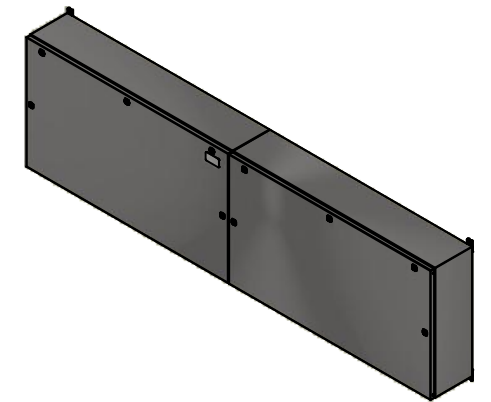


RIGHT



BOTTOM

| No. | Revisions | Date | By/Par |
|-----|-----------|------|--------|
| | | | |
| | | | |
| | | | |
| | | | |
| | | | |



Isometric View



Tél: (450) 979-4373
 Fax: (450) 979-4626
www.exmweb.com

Flatness
Aplatissement
Max 3.0mm
Projection

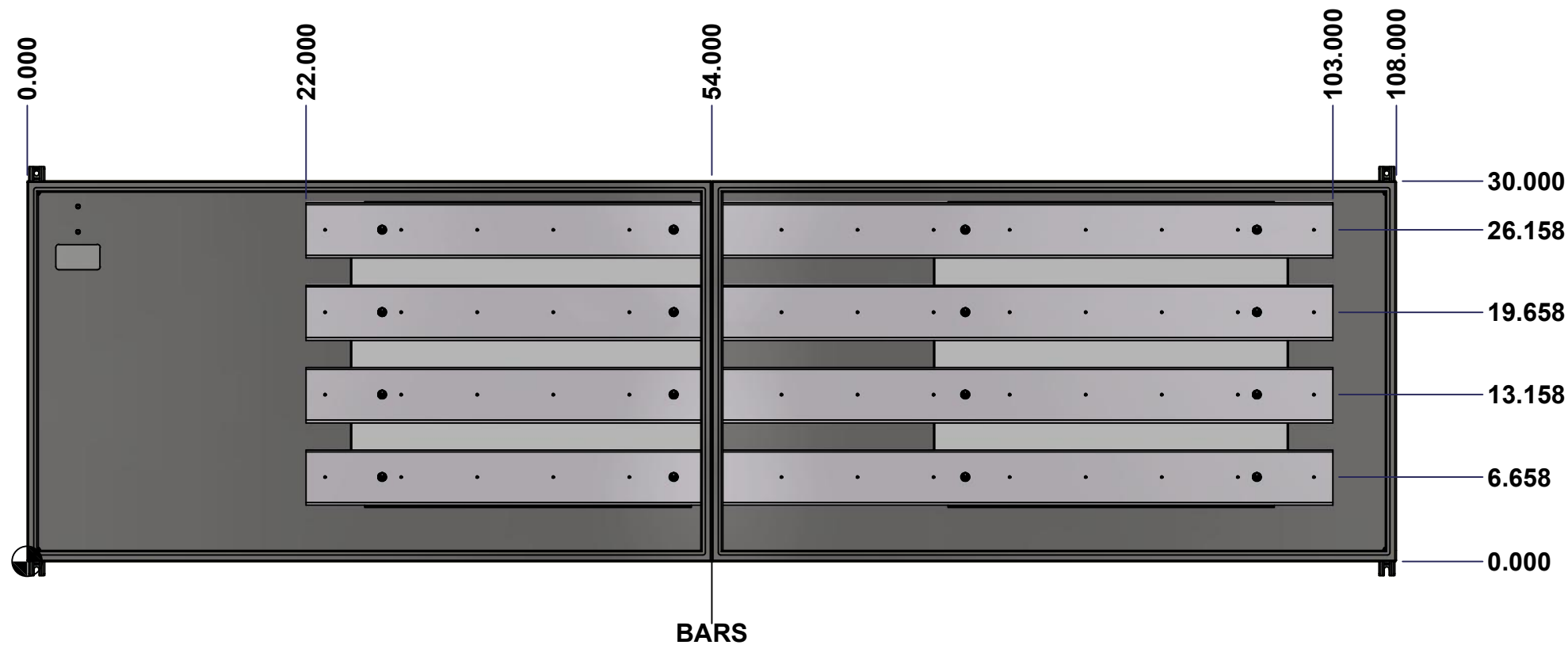
| | |
|---|------------------------|
| Customer Client | Date |
| Drawn By Dessiné Par BoxCad: BoxCad | Date 2022-10-27 |
| Material Matière 14 Ga Stainless Steel 304 (1.7mm) | |
| Color Couleur Unpainted | Finish Fini Brushed |
| Description 1412BTSS 1000A - 4Wires x 108" Assembly | Detail Rev. |
| Part Number Numéro Pièce 1412BTSS091004DT | Rev. 0 |

SEE BILL OF MATERIAL ON LAST PAGE

This drawing is confidential and must not be reproduced or used without the consent of Eurobox

Ce dessin est confidentiel et ne doit pas être reproduit ou utilisé sans le consentement de Eurobox

STANDARD FEATURES ARE NOT LISTED IN THIS HOLE TABLE



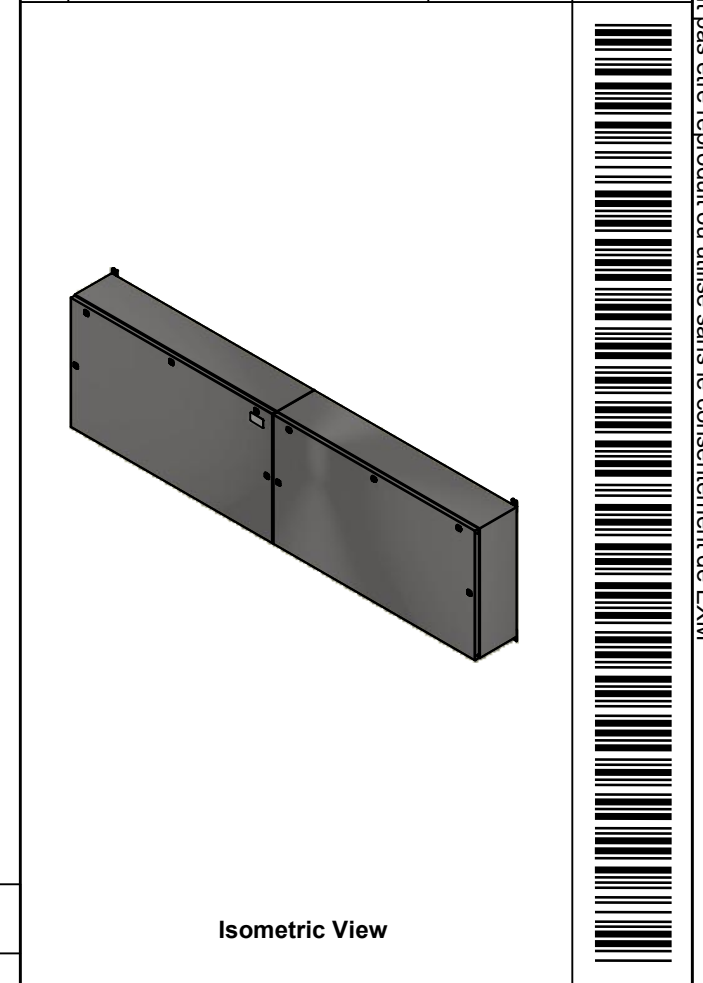
| | | | |
|--|---|--|-------------------------|
| | Description 1412BTSS 1000A - 4Wires x 108" Assembly | | Status (NULL) |
| | Part Number Numéro Pièce 1412BTSS091004DT | | Rev. 2 0 / 17 |

This drawing is confidential and must not be reproduced or used without the consent of EXM

Ce dessin est confidentiel et ne doit pas être reproduit ou utilisé sans le consentement de EXM

| NOTE | |
|------|--|
| ITEM | DESCRIPTION |
| 1 | NEMA 4X Enclosure |
| 2 | C/W Standard ground studs on box and cover |
| 3 | W/O Standard door stiffener |
| 4 | C/W Special inner panel (Sold separately) |
| 5 | C/W Standard inner panel mounting studs |

| No. | Revisions | Date | By/Par |
|-----|-----------|------|--------|
| | | | |
| | | | |
| | | | |
| | | | |
| | | | |



| | | | |
|-----|----------------------------|-----|--|
| 8 | STK-Q-04051-07 | 8 | M6 x 7mm Stainless Steel Hexagon Socket Head Machine Screw with Nyseal |
| 1 | 885 ESMF2 | 0 | 885 ESMF2 Stainless Steel Mounting Feet Kit |
| 1 | 1412BTSS091004DTIP2 | 0 | 1412BTSS 24.125" x 28" Right Inner Panel |
| 1 | 1412BTSS091004DTBAR 1-P | 0 | Rounded Edge Aluminum Bar 3/8" x 4 1/2" |
| 1 | 1412BTSS091004DTBAR 2-P | 0 | Rounded Edge Aluminum Bar 3/8" x 4 1/2" |
| 1 | 1412BTSS091004DTBAR 3-P | 0 | Rounded Edge Aluminum Bar 3/8" x 4 1/2" |
| 1 | 1412BTSS091004DTBAR 4-P | 0 | Rounded Edge Aluminum Bar 3/8" x 4 1/2" |
| 1 | 1412BTSS091004DTIP1 | 0 | 1412BTSS 24.125" x 28" Left Inner Panel |
| 16 | STK-A-67400 | 0 | Buss Bar Insulator Kit |
| 1 | STK-K-01800 | 5 | 5412 ES Accessory Kit |
| 24 | STK-Q-07310 | 2 | Flange Lock Nut M8 |
| 8 | STK-Q-07610 | 8 | M8 Plastic Spacer 22.2mm |
| 1 | 1412BTSS091004DTB | 0 | 1412BTSS 30" x 108" x 10" Body |
| 1 | 1412BTSS091004DTC | 0 | 1412BTSS 30" x 108" Cover |
| Qty | Part Number | Rev | Description |

| PACKING | | |
|-----------------------|-----|--|
| ITEM | QTY | DESCRIPTION |
| Cardboard sleeve | 2 | Top and Bottom |
| Cardboard strip | 2 | Between back of enclosure and inner panel |
| Plastic bag | 1 | To protect cover surface and inside gasket |
| Cardboard corner | 4 | To reinforced for the plastic strap tightening |
| Plastic strap - Black | 2 | To Squeeze 2 cardboard sleeve together |
| Packaging label | 3 | White label with PN |
| Plastic strap- Green | 2 | To secure the enclosure to the wood pallet |
| Wood Pallet | 1 | 2" deeper and 3" larger than enclosure size |

Tél: (450) 979-4373
Fax: (450) 979-4626
www.exmweb.com

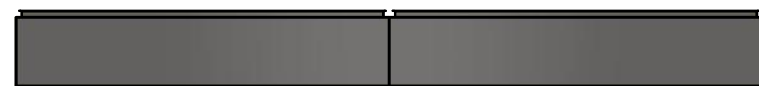
Flatness
Aplatissement
Max 3.0mm

Projection

| | |
|--|------------------------|
| Customer Client | Date |
| Drawn By Dessiné Par BoxCad: BoxCad | Date 2022-10-27 |
| Material Matière 14 Ga Stainless Steel 304 (1.7mm) | |
| Color Couleur Unpainted | Finish Fini Brushed |
| Description 1412BTSS 1000A - 4Wires x 108" Assembly | Detail Rev. |
| Part Number Numéro Pièce 1412BTSS091004DT | Rev. 0 |

This drawing is confidential and must not be reproduced or used without the consent of EXM

Ce dessin est confidentiel et ne doit pas être reproduit ou utilisé sans le consentement de EXM



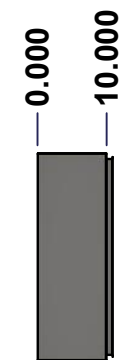
TOP



BACK



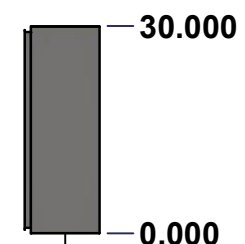
BOTTOM



LEFT

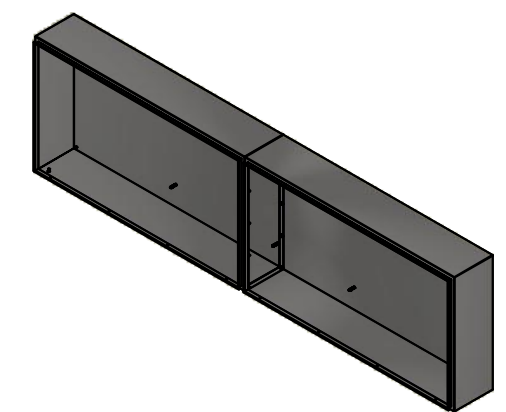


FRONT

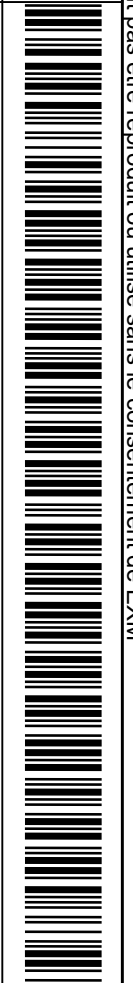



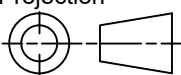
RIGHT

| No. | Revisions | Date | By/Par |
|-----|-----------|------|--------|
| | | | |
| | | | |
| | | | |
| | | | |
| | | | |



Isometric View



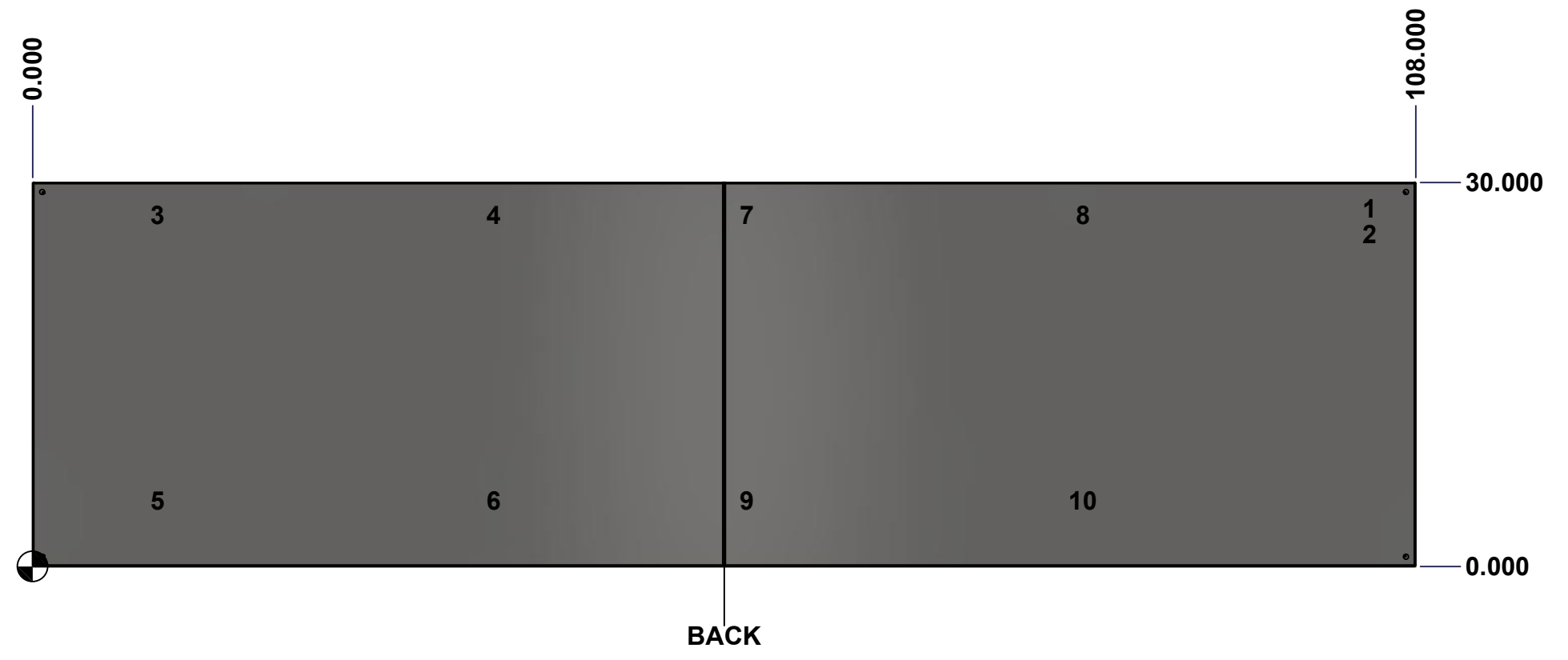
| | | |
|--|-----------------------------------|---|
|  Tél: (450) 979-4373 Fax: (450) 979-4626 www.exmweb.com | | Flatness Aplatissement Max 3.0mm Projection  |
| Customer Client | Date | |
| Drawn By Dessiné Par | BoxCad: BoxCad | Date 2022-10-27 |
| Material Matière | 14 Ga Stainless Steel 304 (1.7mm) | |
| Color Couleur | Unpainted | Finish Fini Brushed |
| Description | Detail Rev. | |
| 1412BTSS 30" x 108" x 10" Body | | |
| Part Number Numéro Pièce | Rev. | 4 |
| 1412BTSS091004DTB | 0 | 17 |

SEE BILL OF MATERIAL ON LAST PAGE

This drawing is confidential and must not be reproduced or used without the consent of Eurobox

Ce dessin est confidentiel et ne doit pas être reproduit ou utilisé sans le consentement de Eurobox

| STANDARD FEATURES ARE NOT LISTED IN THIS HOLE TABLE | | | |
|---|---------|--------|-----------------------------|
| HOLE TABLE - BACK VIEW (CUSTOM FEATURE ONLY) | | | |
| CUT-OUT | XDIM | YDIM | DESCRIPTION |
| 1 | 104.000 | 28.000 | GND STUD M8 x 35mm (Inside) |
| 2 | 104.000 | 26.000 | GND STUD M8 x 35mm (Inside) |
| 3 | 9.375 | 27.500 | IP STUD M8 x 35mm (Inside) |
| 4 | 35.625 | 27.500 | IP STUD M8 x 35mm (Inside) |
| 5 | 9.375 | 5.125 | IP STUD M8 x 35mm (Inside) |
| 6 | 35.625 | 5.125 | IP STUD M8 x 35mm (Inside) |
| 7 | 55.375 | 27.500 | IP STUD M8 x 35mm (Inside) |
| 8 | 81.625 | 27.500 | IP STUD M8 x 35mm (Inside) |
| 9 | 55.375 | 5.125 | IP STUD M8 x 35mm (Inside) |
| 10 | 81.625 | 5.125 | IP STUD M8 x 35mm (Inside) |

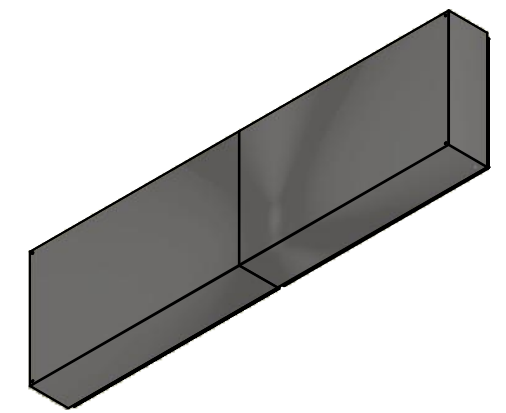


| | | |
|--|--------------------------------|--------------|
| | Description | Status |
| | 1412BTSS 30" x 108" x 10" Body | (NULL) |
| | Part Number Numéro Pièce | Rev. |
| | 1412BTSS091004DTB | 0 / 5 |
| | | 17 |

This drawing is confidential and must not be reproduced or used without the consent of EXM


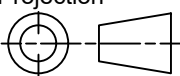
Ce dessin est confidentiel et ne doit pas être reproduit ou utilisé sans le consentement de EXM

| No. | Revisions | Date | By/Par |
|-----|-----------|------|--------|
| | | | |
| | | | |
| | | | |
| | | | |
| | | | |



Isometric View



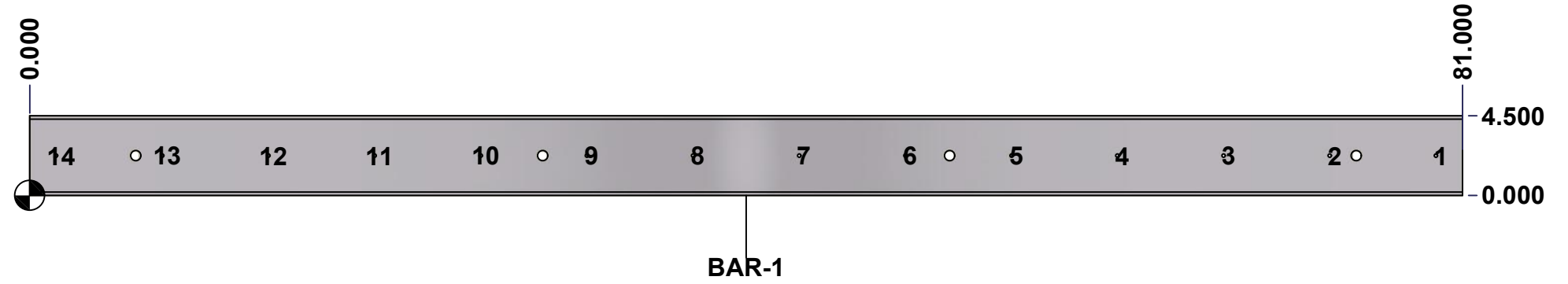
| | | |
|--|------------------------|---|
|  Tél: (450) 979-4373 Fax: (450) 979-4626 www.exmweb.com | | Flatness Aplatissement Max 3.0mm |
| Customer Client | | Projection  |
| Drawn By / Dessiné Par: BoxCad: BoxCad | | Date: 2022-10-27 |
| Material / Matière: 14 Ga Stainless Steel 304 (1.7mm) | | |
| Color / Couleur: Unpainted | Finish / Fini: Brushed | |
| Description: 1412BTSS 30" x 108" x 10" Body | | Detail Rev. |
| Part Number / Numéro Pièce: 1412BTSS091004DTB | | Rev. 0 |

| Qty | Part Number | Rev | Description |
|------------|---------------------|-----|---|
| 1 | 1412BTSS091004DTB-P | 0 | 1412BTSS 30" x 108" x 10" Left Body Part |
| 1 | 1412BTSS091004DTE-P | 0 | 1412BTSS 30" x 108" x 10" Right Body Part |
| 1 | STK-G-00701 | 0 | 1" x 1/4" Self-Adhesive Neoprene Gasket |
| 10 | STK-Q-00260 | 1 | M6 x 13mm Carriage Bolt |
| 10 | STK-Q-07220 | 1 | M6 Nylon Insert Lock Nut |
| 10 | STK-Q-16020 | 1 | Stud M8 x 35mm Stainless Steel |
| 2 | STK-Q-16095 | 0 | M6 x 16mm Stainless Steel Ground Stud |
| 1 | STK-S-00100 | 0 | 3.5" x 2" Silver Milar Flexcon Sticker |
| Parts List | | | |

This drawing is confidential and must not be reproduced or used without the consent of Eurobox

Ce dessin est confidentiel et ne doit pas être reproduit ou utilisé sans le consentement de Eurobox

| STANDARD FEATURES ARE NOT LISTED IN THIS HOLE TABLE | | | |
|---|--------|-------|------------------------------|
| HOLE TABLE - FRONT VIEW (CUSTOM FEATURE ONLY) | | | |
| CUT-OUT | XDIM | YDIM | DESCRIPTION |
| 1 | 79.500 | 2.250 | RND Ø0.201 THREAD 1/4-20 UNC |
| 2 | 73.500 | 2.250 | RND Ø0.201 THREAD 1/4-20 UNC |
| 3 | 67.500 | 2.250 | RND Ø0.201 THREAD 1/4-20 UNC |
| 4 | 61.500 | 2.250 | RND Ø0.201 THREAD 1/4-20 UNC |
| 5 | 55.500 | 2.250 | RND Ø0.201 THREAD 1/4-20 UNC |
| 6 | 49.500 | 2.250 | RND Ø0.201 THREAD 1/4-20 UNC |
| 7 | 43.500 | 2.250 | RND Ø0.201 THREAD 1/4-20 UNC |
| 8 | 37.500 | 2.250 | RND Ø0.201 THREAD 1/4-20 UNC |
| 9 | 31.500 | 2.250 | RND Ø0.201 THREAD 1/4-20 UNC |
| 10 | 25.500 | 2.250 | RND Ø0.201 THREAD 1/4-20 UNC |
| 11 | 19.500 | 2.250 | RND Ø0.201 THREAD 1/4-20 UNC |
| 12 | 13.500 | 2.250 | RND Ø0.201 THREAD 1/4-20 UNC |
| 13 | 7.500 | 2.250 | RND Ø0.201 THREAD 1/4-20 UNC |
| 14 | 1.500 | 2.250 | RND Ø0.201 THREAD 1/4-20 UNC |

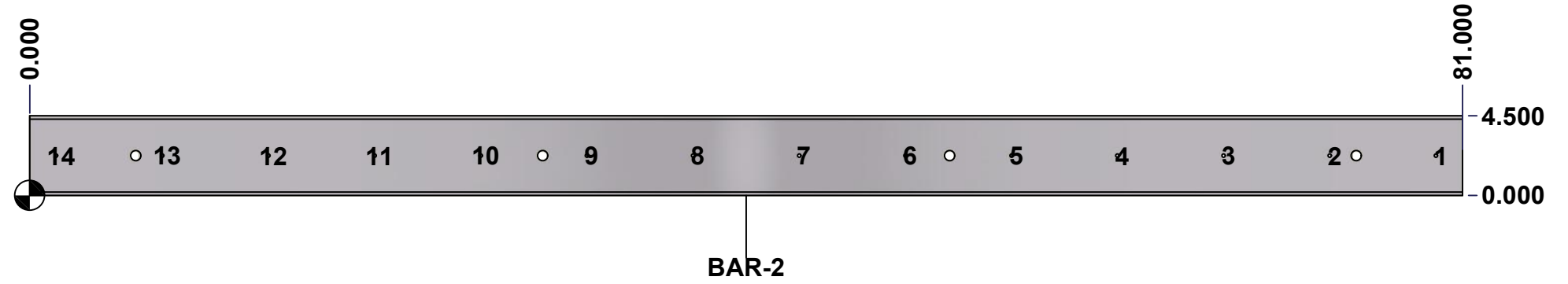


| | | |
|---------------------------------|---|--------|
| | Description | Status |
| | Rounded Edge Aluminum Bar 3/8" x 4 1/2" | (NULL) |
| | Part Number | Rev. |
| | Numéro Pièce | 7 |
| 1412BTSS091004DTBAR1-P 0 | | 17 |

This drawing is confidential and must not be reproduced or used without the consent of Eurobox

Ce dessin est confidentiel et ne doit pas être reproduit ou utilisé sans le consentement de Eurobox

| STANDARD FEATURES ARE NOT LISTED IN THIS HOLE TABLE | | | |
|---|--------|-------|------------------------------|
| HOLE TABLE - FRONT VIEW (CUSTOM FEATURE ONLY) | | | |
| CUT-OUT | XDIM | YDIM | DESCRIPTION |
| 1 | 79.500 | 2.250 | RND Ø0.201 THREAD 1/4-20 UNC |
| 2 | 73.500 | 2.250 | RND Ø0.201 THREAD 1/4-20 UNC |
| 3 | 67.500 | 2.250 | RND Ø0.201 THREAD 1/4-20 UNC |
| 4 | 61.500 | 2.250 | RND Ø0.201 THREAD 1/4-20 UNC |
| 5 | 55.500 | 2.250 | RND Ø0.201 THREAD 1/4-20 UNC |
| 6 | 49.500 | 2.250 | RND Ø0.201 THREAD 1/4-20 UNC |
| 7 | 43.500 | 2.250 | RND Ø0.201 THREAD 1/4-20 UNC |
| 8 | 37.500 | 2.250 | RND Ø0.201 THREAD 1/4-20 UNC |
| 9 | 31.500 | 2.250 | RND Ø0.201 THREAD 1/4-20 UNC |
| 10 | 25.500 | 2.250 | RND Ø0.201 THREAD 1/4-20 UNC |
| 11 | 19.500 | 2.250 | RND Ø0.201 THREAD 1/4-20 UNC |
| 12 | 13.500 | 2.250 | RND Ø0.201 THREAD 1/4-20 UNC |
| 13 | 7.500 | 2.250 | RND Ø0.201 THREAD 1/4-20 UNC |
| 14 | 1.500 | 2.250 | RND Ø0.201 THREAD 1/4-20 UNC |



| | | |
|---------------------------------|---|--------|
| | Description | Status |
| | Rounded Edge Aluminum Bar 3/8" x 4 1/2" | (NULL) |
| | Part Number | Rev. |
| | Numéro Pièce | 8 |
| 1412BTSS091004DTBAR2-P 0 | | 17 |

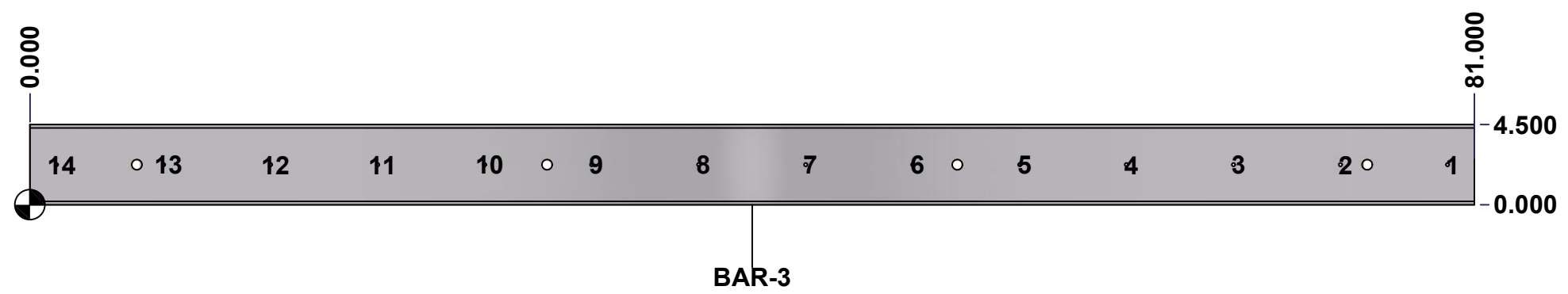
This drawing is confidential and must not be reproduced or used without the consent of Eurobox

Ce dessin est confidentiel et ne doit pas être reproduit ou utilisé sans le consentement de Eurobox

STANDARD FEATURES ARE NOT LISTED IN THIS HOLE TABLE

HOLE TABLE - FRONT VIEW (CUSTOM FEATURE ONLY)

| CUT-OUT | XDIM | YDIM | DESCRIPTION |
|---------|--------|-------|------------------------------|
| 1 | 79.500 | 2.250 | RND Ø0.201 THREAD 1/4-20 UNC |
| 2 | 73.500 | 2.250 | RND Ø0.201 THREAD 1/4-20 UNC |
| 3 | 67.500 | 2.250 | RND Ø0.201 THREAD 1/4-20 UNC |
| 4 | 61.500 | 2.250 | RND Ø0.201 THREAD 1/4-20 UNC |
| 5 | 55.500 | 2.250 | RND Ø0.201 THREAD 1/4-20 UNC |
| 6 | 49.500 | 2.250 | RND Ø0.201 THREAD 1/4-20 UNC |
| 7 | 43.500 | 2.250 | RND Ø0.201 THREAD 1/4-20 UNC |
| 8 | 37.500 | 2.250 | RND Ø0.201 THREAD 1/4-20 UNC |
| 9 | 31.500 | 2.250 | RND Ø0.201 THREAD 1/4-20 UNC |
| 10 | 25.500 | 2.250 | RND Ø0.201 THREAD 1/4-20 UNC |
| 11 | 19.500 | 2.250 | RND Ø0.201 THREAD 1/4-20 UNC |
| 12 | 13.500 | 2.250 | RND Ø0.201 THREAD 1/4-20 UNC |
| 13 | 7.500 | 2.250 | RND Ø0.201 THREAD 1/4-20 UNC |
| 14 | 1.500 | 2.250 | RND Ø0.201 THREAD 1/4-20 UNC |

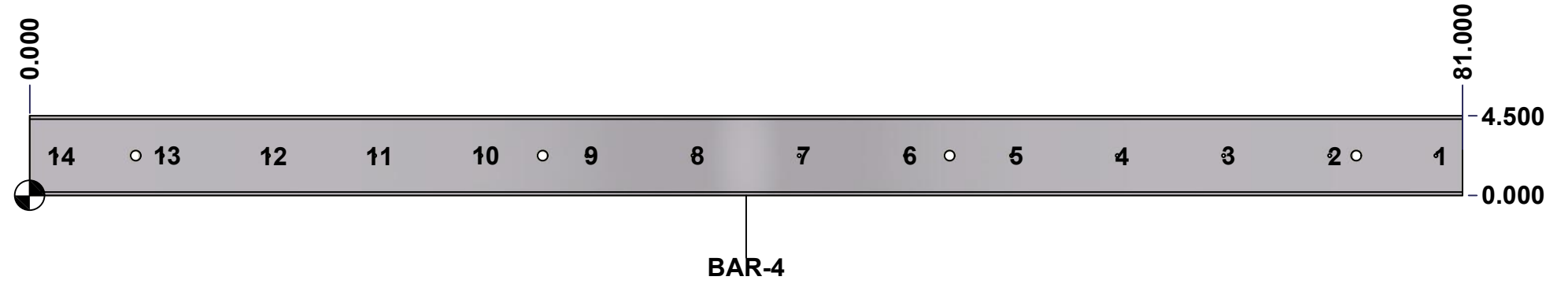


| | | |
|---------------------------------|---|--------|
| | Description | Status |
| | Rounded Edge Aluminum Bar 3/8" x 4 1/2" | (NULL) |
| | Part Number | Rev. |
| | Numéro Pièce | 9 |
| 1412BTSS091004DTBAR3-P 0 | | 17 |

This drawing is confidential and must not be reproduced or used without the consent of Eurobox

Ce dessin est confidentiel et ne doit pas être reproduit ou utilisé sans le consentement de Eurobox

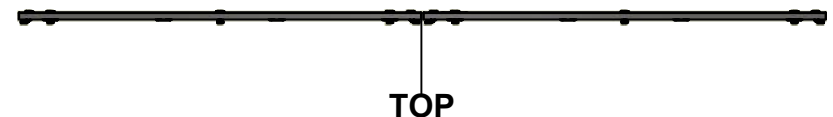
| STANDARD FEATURES ARE NOT LISTED IN THIS HOLE TABLE | | | |
|---|--------|-------|------------------------------|
| HOLE TABLE - FRONT VIEW (CUSTOM FEATURE ONLY) | | | |
| CUT-OUT | XDIM | YDIM | DESCRIPTION |
| 1 | 79.500 | 2.250 | RND Ø0.201 THREAD 1/4-20 UNC |
| 2 | 73.500 | 2.250 | RND Ø0.201 THREAD 1/4-20 UNC |
| 3 | 67.500 | 2.250 | RND Ø0.201 THREAD 1/4-20 UNC |
| 4 | 61.500 | 2.250 | RND Ø0.201 THREAD 1/4-20 UNC |
| 5 | 55.500 | 2.250 | RND Ø0.201 THREAD 1/4-20 UNC |
| 6 | 49.500 | 2.250 | RND Ø0.201 THREAD 1/4-20 UNC |
| 7 | 43.500 | 2.250 | RND Ø0.201 THREAD 1/4-20 UNC |
| 8 | 37.500 | 2.250 | RND Ø0.201 THREAD 1/4-20 UNC |
| 9 | 31.500 | 2.250 | RND Ø0.201 THREAD 1/4-20 UNC |
| 10 | 25.500 | 2.250 | RND Ø0.201 THREAD 1/4-20 UNC |
| 11 | 19.500 | 2.250 | RND Ø0.201 THREAD 1/4-20 UNC |
| 12 | 13.500 | 2.250 | RND Ø0.201 THREAD 1/4-20 UNC |
| 13 | 7.500 | 2.250 | RND Ø0.201 THREAD 1/4-20 UNC |
| 14 | 1.500 | 2.250 | RND Ø0.201 THREAD 1/4-20 UNC |



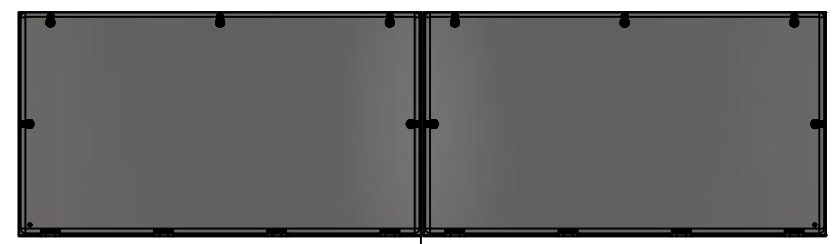
| | | |
|--|---|----------|
| | Description | Status |
| | Rounded Edge Aluminum Bar 3/8" x 4 1/2" | (NULL) |
| | Part Number | Rev. |
| | Numéro Pièce | 10 |
| | 1412BTSS091004DTBAR4-P | 0 |
| | | 17 |

This drawing is confidential and must not be reproduced or used without the consent of EXM

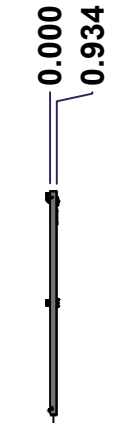
Ce dessin est confidentiel et ne doit pas être reproduit ou utilisé sans le consentement de EXM



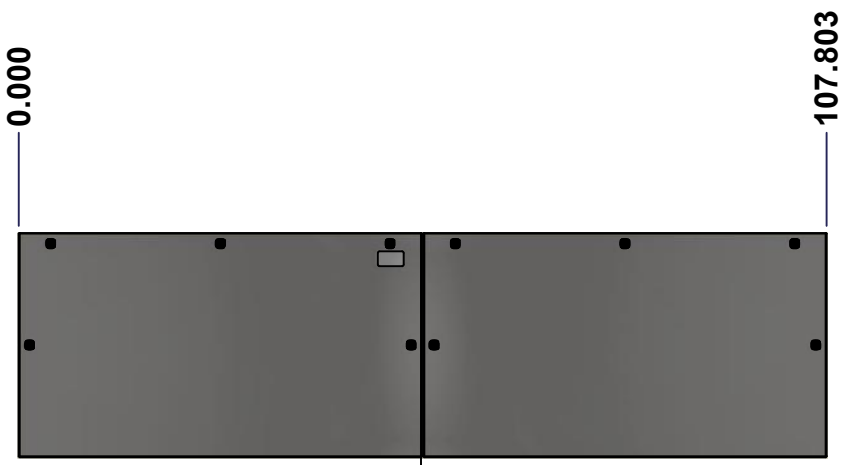
TOP



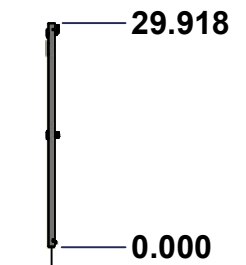
BACK



LEFT



FRONT

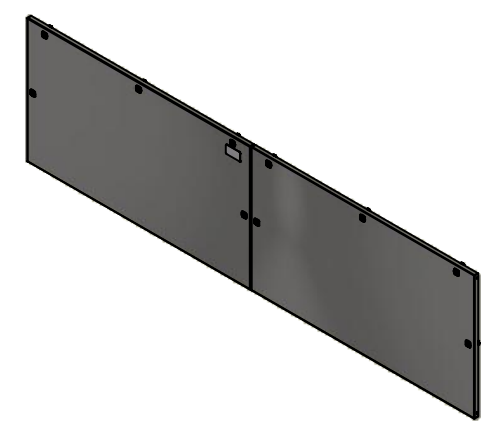


RIGHT



BOTTOM

| No. | Revisions | Date | By/Par |
|-----|-----------|------|--------|
| | | | |
| | | | |
| | | | |
| | | | |



Isometric View



Tél: (450) 979-4373
 Fax: (450) 979-4626
www.exmweb.com

Flatness
Aplatissement
Max 3.0mm
Projection

| | |
|---|------------------------|
| Customer Client | Date |
| Drawn By Dessiné Par BoxCad: BoxCad | Date 2022-10-27 |
| Material Matière 14 Ga Stainless Steel 304 (1.7mm) | |
| Color Couleur Unpainted | Finish Fini Brushed |
| Description 1412BTSS 30" x 108" Cover | Detail Rev. |
| Part Number Numéro Pièce 1412BTSS091004DTC | Rev. 11 0 |

SEE BILL OF MATERIAL ON LAST PAGE

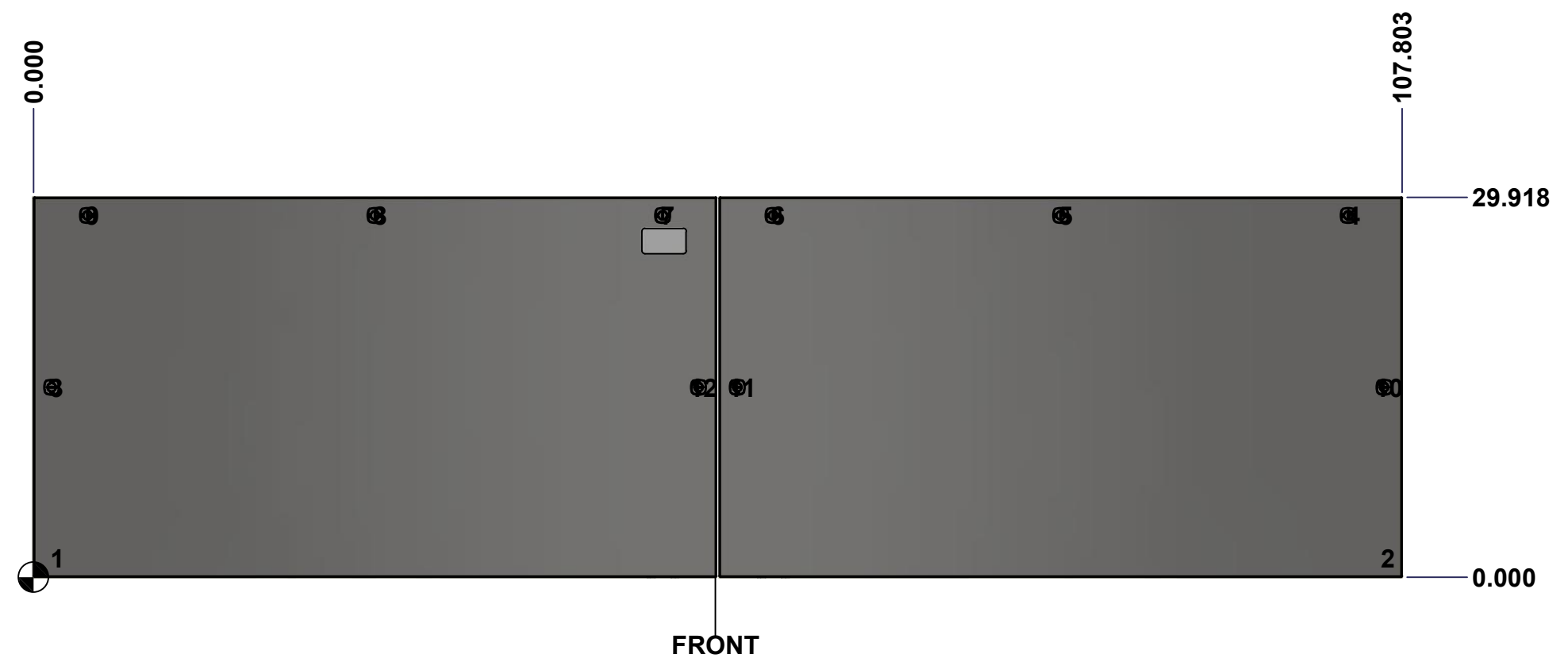
This drawing is confidential and must not be reproduced or used without the consent of Eurobox

Ce dessin est confidentiel et ne doit pas être reproduit ou utilisé sans le consentement de Eurobox

STANDARD FEATURES ARE NOT LISTED IN THIS HOLE TABLE

HOLE TABLE - FRONT VIEW (CUSTOM FEATURE ONLY)

| CUT-OUT | XDIM | YDIM | DESCRIPTION |
|---------|---------|--------|------------------------------|
| 1 | 1.500 | 1.486 | GND STUD M6 x 16mm (Inside) |
| 2 | 106.303 | 1.486 | GND STUD M6 x 16mm (Inside) |
| 3 | 1.424 | 14.959 | LOCK 880 SCQ4-SLSS6 @ 180.0° |
| 4 | 103.553 | 28.494 | LOCK 880 SCQ4-SLSS6 @ 90.0° |
| 5 | 80.902 | 28.494 | LOCK 880 SCQ4-SLSS6 @ 90.0° |
| 6 | 58.250 | 28.494 | LOCK 880 SCQ4-SLSS6 @ 90.0° |
| 7 | 49.553 | 28.494 | LOCK 880 SCQ4-SLSS6 @ 90.0° |
| 8 | 26.902 | 28.494 | LOCK 880 SCQ4-SLSS6 @ 90.0° |
| 9 | 4.250 | 28.494 | LOCK 880 SCQ4-SLSS6 @ 90.0° |
| 10 | 106.379 | 14.959 | LOCK 880 SCQ4-SLSS6 @ 0.0° |
| 11 | 55.424 | 14.959 | LOCK 880 SCQ4-SLSS6 @ 180.0° |
| 12 | 52.379 | 14.959 | LOCK 880 SCQ4-SLSS6 @ 0.0° |

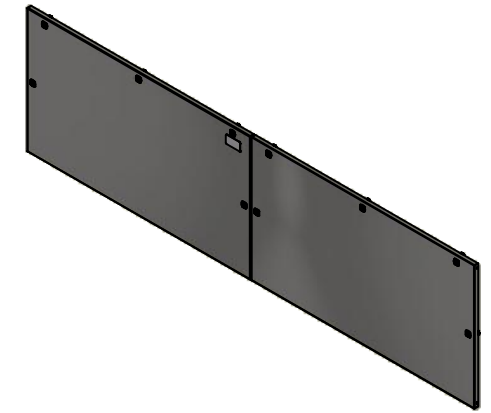


| | | |
|-----------------------------|---------------------------|---------|
| | Description | Status |
| | 1412BTSS 30" x 108" Cover | (NULL) |
| Part Number Numéro Pièce | 1412BTSS091004DTC | Rev. 12 |
| | | 0 17 |

This drawing is confidential and must not be reproduced or used without the consent of EXM


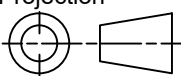
Ce dessin est confidentiel et ne doit pas être reproduit ou utilisé sans le consentement de EXM

| No. | Revisions | Date | By/Par |
|-----|-----------|------|--------|
| | | | |
| | | | |
| | | | |
| | | | |
| | | | |



Isometric View

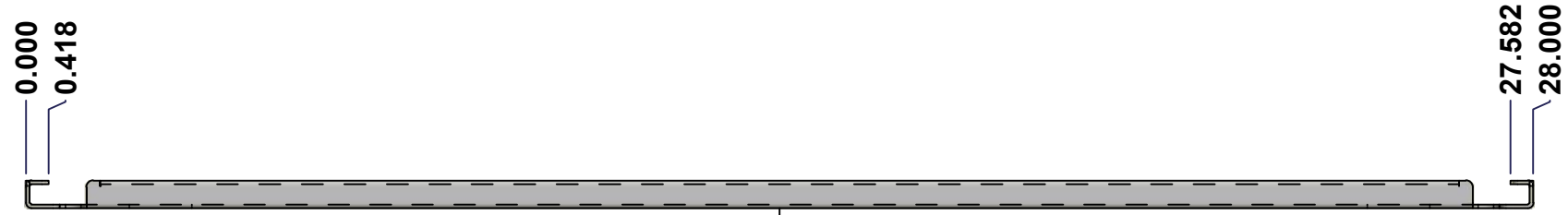


| | | |
|--|-----------------------------------|---|
|  Tél: (450) 979-4373 Fax: (450) 979-4626 www.exmweb.com | Flatness Aplatissement | Max 3.0mm |
| | Projection |  |
| Customer Client | Date | |
| Drawn By Dessiné Par | BoxCad: BoxCad | Date 2022-10-27 |
| Material Matière | 14 Ga Stainless Steel 304 (1.7mm) | |
| Color Couleur | Unpainted | Finish Fini Brushed |
| Description | Detail Rev. | |
| 1412BTSS 30" x 108" Cover | | |
| Part Number Numéro Pièce | Rev. 0 | 13 / 17 |
| 1412BTSS091004DTC | | |

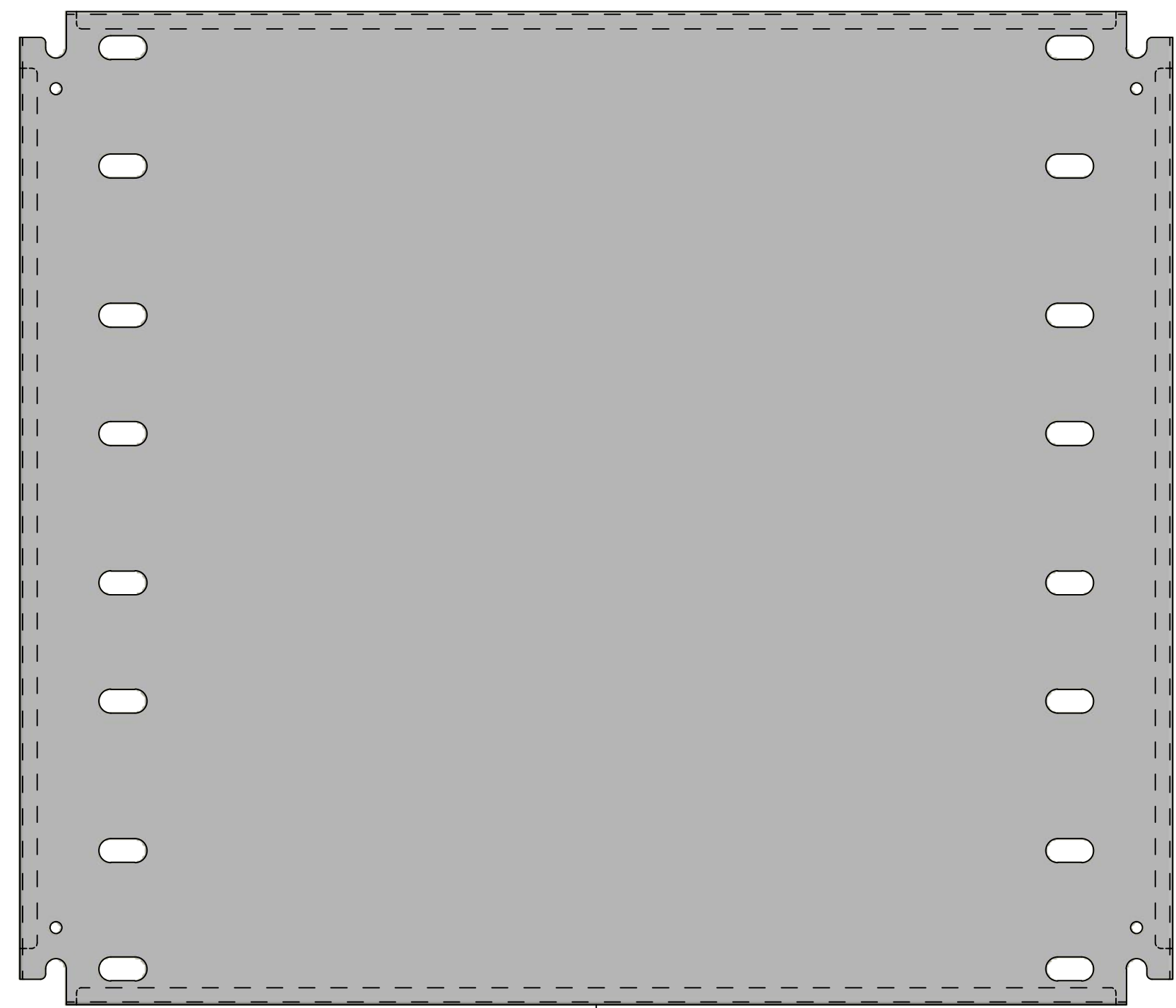
| Qty | Part Name | Rev | Description |
|------------|---------------------|-----|--|
| 2 | 1412BTSS091004DTG | 0 | 1412BTSS 30" x 108" Cover Gasket |
| 8 | STK-K-09850 | 6 | 5412 ESS Hinge with 2 Captive Hinge Pins |
| 2 | STK-Q-16095 | 0 | M6 x 16mm Stainless Steel Ground Stud |
| 1 | STK-S-00100 | 0 | 3.5" x 2" Silver Milar Flexcon Sticker |
| 1 | 1412BTSS091004DTC-P | 0 | 1412BTSS 30" x 54" Left Cover Part |
| 1 | 1412BTSS091004DTF-P | 0 | 1412BTSS 30" x 108" Right Cover Part |
| 10 | 880 SCQ4-SLSS6 | 7 | 5412 ESS 1/4 Turn Lock |
| Parts List | | | |

This drawing is confidential and must not be reproduced or used without the consent of EXM

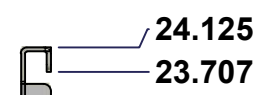
Ce dessin est confidentiel et ne doit pas être reproduit ou utilisé sans le consentement de EXM



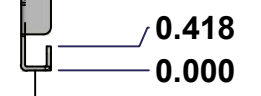
TOP



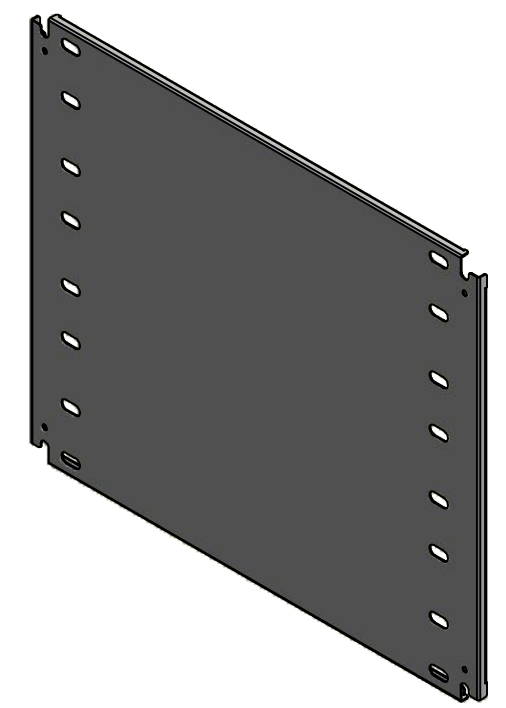
FRONT



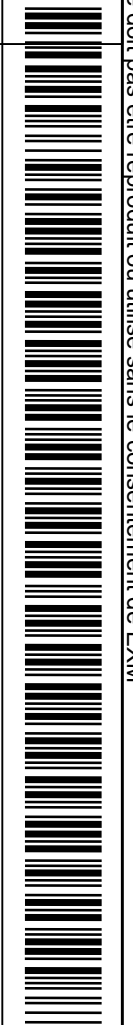
RIGHT



| No. | Revisions | Date | By/Par |
|-----|-----------|------|--------|
| | | | |
| | | | |
| | | | |
| | | | |
| | | | |



Isometric View



Tél: (450) 979-4373
 Fax: (450) 979-4626
www.exmweb.com

Flatness
Aplatissement
Max 3.0mm
Projection

| | |
|---|------------------|
| Customer Client | Date |
| Drawn By / Dessiné Par: BoxCad: BoxCad | Date: 2022-10-27 |
| Material / Matière: 14 Ga Cold Rolled A1008 CS Type B (1.7mm) | |

| | |
|--------------------------------|-----------------------|
| Color / Couleur: White RAL9003 | Finish / Fini: Smooth |
|--------------------------------|-----------------------|

| | |
|--|-------------|
| Description: 1412BTSS 24.125" x 28" Left Inner Panel | Detail Rev. |
|--|-------------|

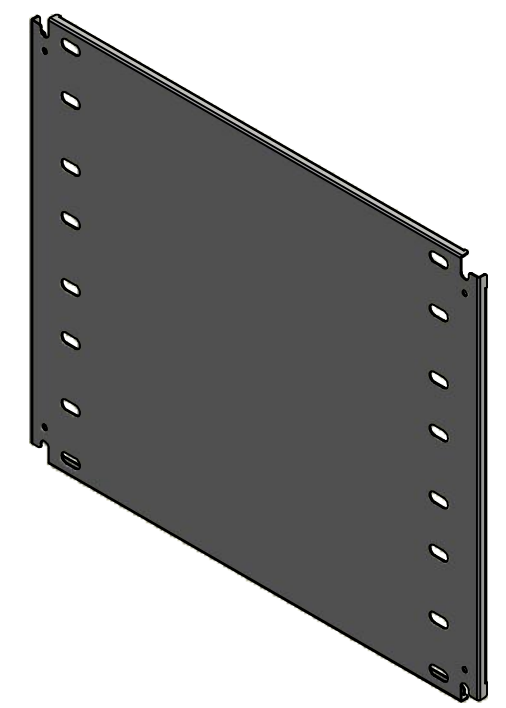
| | | |
|---|--------|---------|
| Part Number / Numéro Pièce: 1412BTSS091004DTIP1 | Rev. 0 | 14 / 17 |
|---|--------|---------|

SEE BILL OF MATERIAL ON LAST PAGE

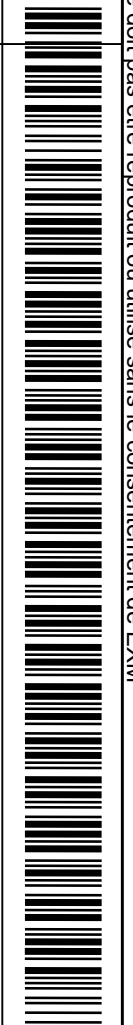
This drawing is confidential and must not be reproduced or used without the consent of EXM


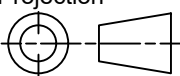
Ce dessin est confidentiel et ne doit pas être reproduit ou utilisé sans le consentement de EXM

| No. | Revisions | Date | By/Par |
|-----|-----------|------|--------|
| | | | |
| | | | |
| | | | |
| | | | |
| | | | |



Isometric View

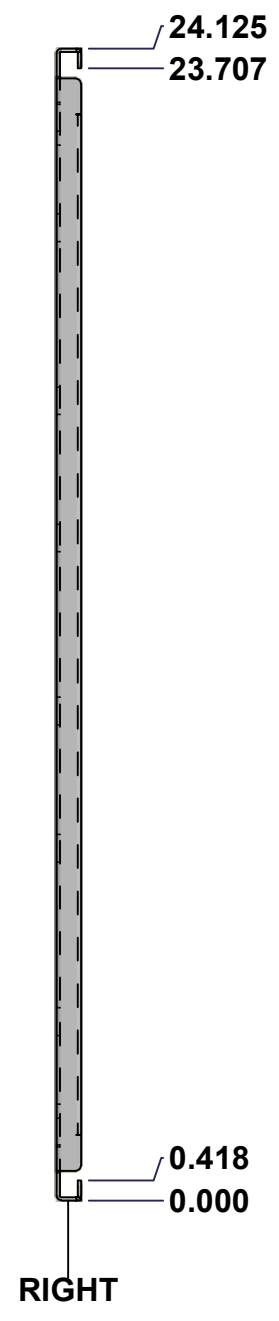
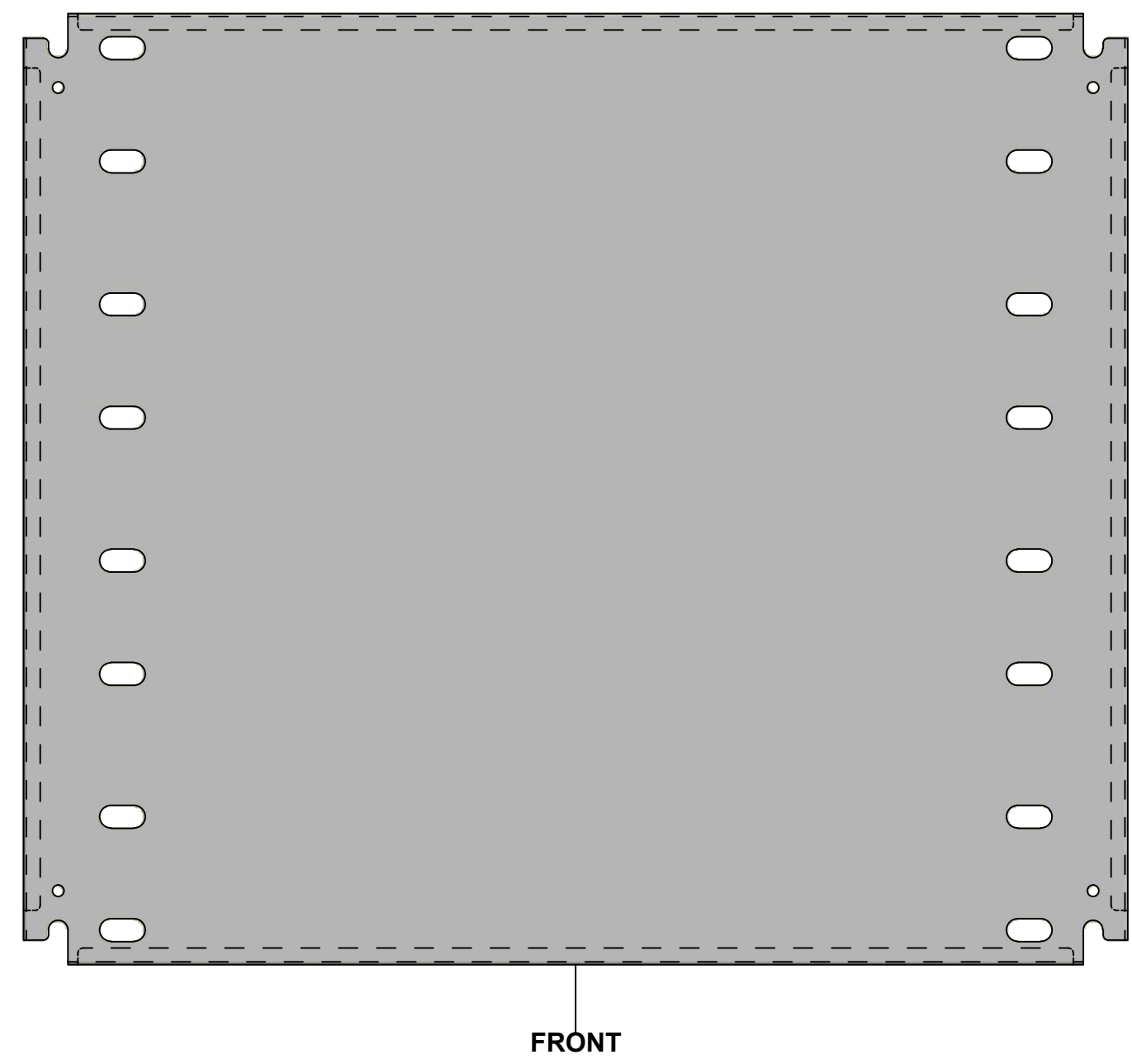
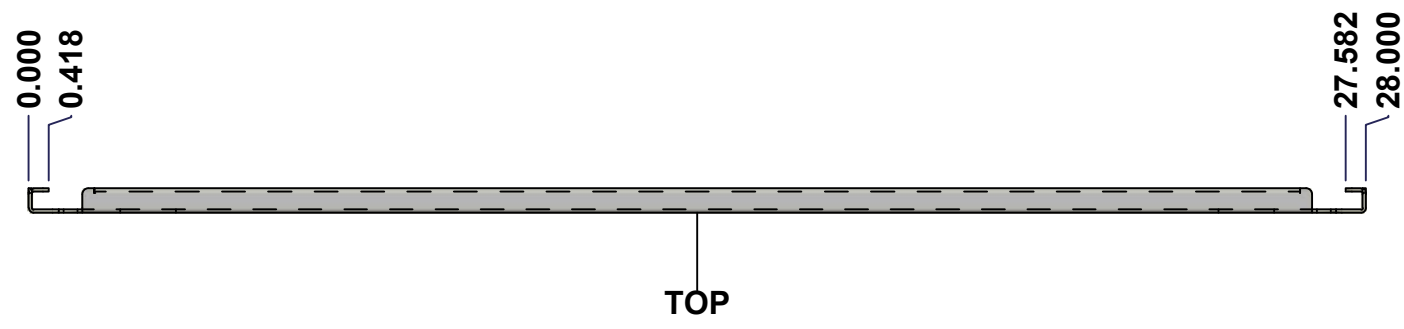


| | |
|--|---|
|  Tél: (450) 979-4373 Fax: (450) 979-4626 www.exmweb.com | Flatness Aplatissement Max 3.0mm |
| | Projection  |
| Customer Client | Date |
| Drawn By / Dessiné Par: BoxCad: BoxCad | Date: 2022-10-27 |
| Material / Matière: 14 Ga Cold Rolled A1008 CS Type B (1.7mm) | |
| Color / Couleur: White RAL9003 | Finish / Fini: Smooth |
| Description: 1412BTSS 24.125" x 28" Left Inner Panel | Detail Rev. |
| Part Number / Numéro Pièce: 1412BTSS091004DTIP1 | Rev. 0 / 15 |

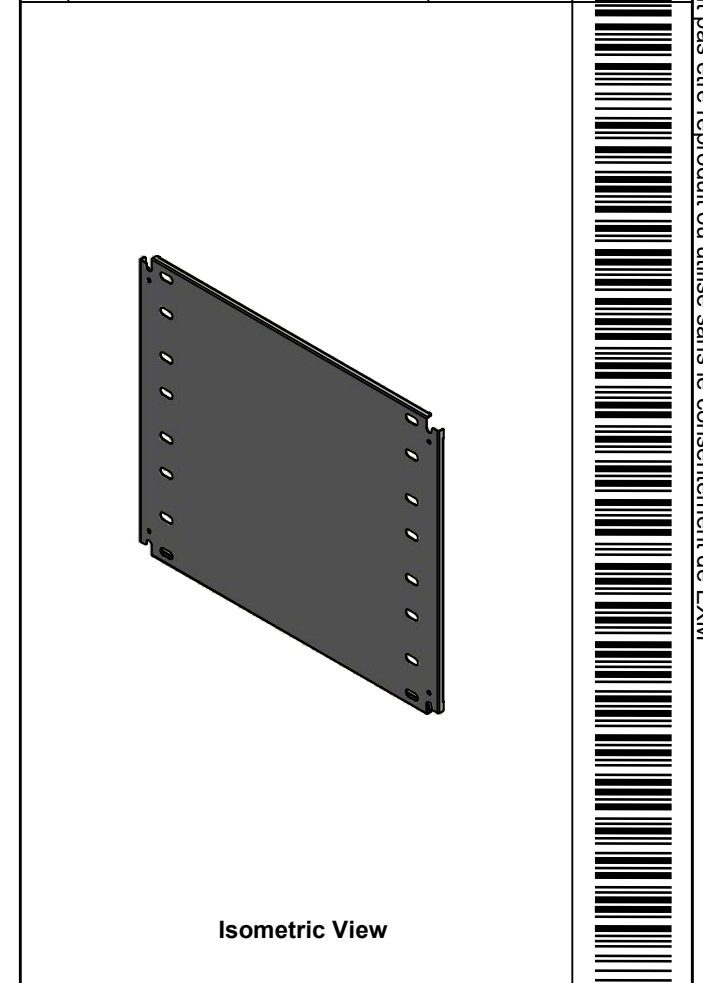
| Qty | Part Number | Rev | Description |
|------------|-----------------------|-----|---|
| 1 | STK-P-02401S | 0 | Powder Paint (White / Smooth) |
| 1 | 1412BTSS091004DTIP1-P | 0 | 1412BTSS 24.125" x 108" Left Inner Panel Part |
| Parts List | | | |

This drawing is confidential and must not be reproduced or used without the consent of EXM

Ce dessin est confidentiel et ne doit pas être reproduit ou utilisé sans le consentement de EXM



| No. | Revisions | Date | By/Par |
|-----|-----------|------|--------|
| | | | |
| | | | |
| | | | |
| | | | |
| | | | |



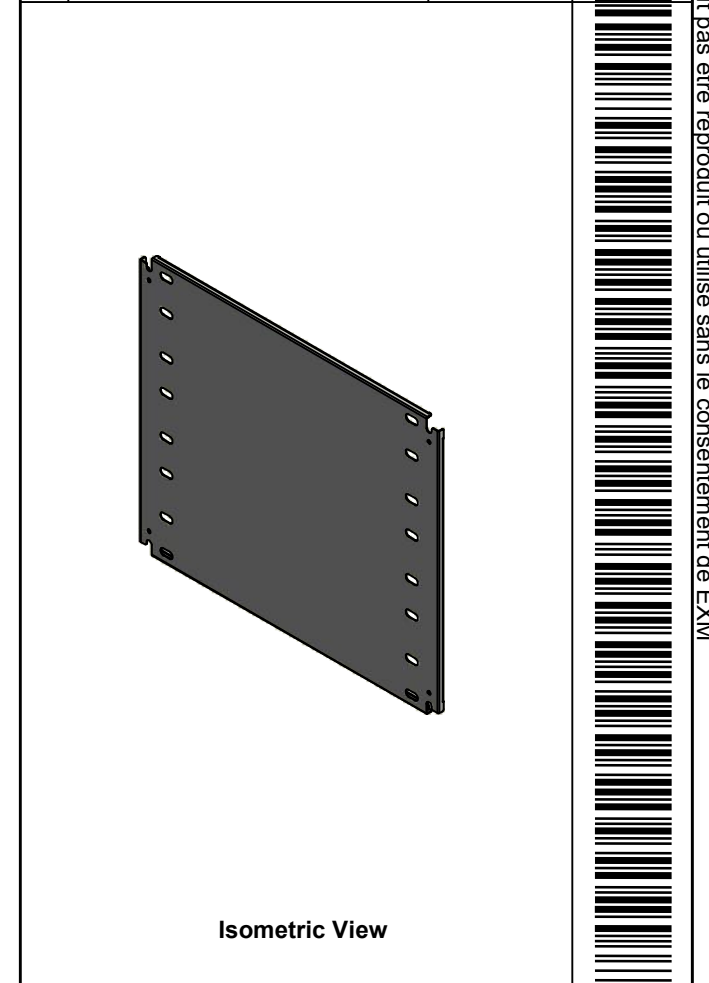
| | |
|---|--|
| <p>Tél: (450) 979-4373 Fax: (450) 979-4626 www.exmweb.com</p> | Flatness Aplatissement Max 3.0mm |
| | Projection |
| Customer Client | Date |
| Drawn By Dessiné Par BoxCad: BoxCad | Date 2022-10-27 |
| Material Matière 14 Ga Cold Rolled A1008 CS Type B (1.7mm) | |
| Color Couleur White RAL9003 | Finish Fini Smooth |
| Description 1412BTSS 24.125" x 28" Right Inner Panel | |
| Detail Rev. | |
| Part Number Numéro Pièce 1412BTSS091004DTIP2 | Rev. 16 0 17 |

SEE BILL OF MATERIAL ON LAST PAGE

This drawing is confidential and must not be reproduced or used without the consent of EXM


Ce dessin est confidentiel et ne doit pas être reproduit ou utilisé sans le consentement de EXM

| No. | Revisions | Date | By/Par |
|-----|-----------|------|--------|
| | | | |
| | | | |
| | | | |
| | | | |
| | | | |



Isometric View



| | | |
|--|-----------------------|--|
|  Tél: (450) 979-4373 Fax: (450) 979-4626 www.exmweb.com | | Flatness Aplatissement Max 3.0mm |
| Customer Client | | Date |
| Drawn By / Dessiné Par: BoxCad: BoxCad | | Date: 2022-10-27 |
| Material / Matière: 14 Ga Cold Rolled A1008 CS Type B (1.7mm) | | |
| Color / Couleur: White RAL9003 | Finish / Fini: Smooth | |
| Description: 1412BTSS 24.125" x 28" Right Inner Panel | | Detail Rev. |
| Part Number / Numéro Pièce: 1412BTSS091004DTIP2 | | Rev. 17 0 |

| Qty | Part Number | Rev | Description |
|------------|-----------------------|-----|--|
| 1 | STK-P-02401S | 0 | Powder Paint (White / Smooth) |
| 1 | 1412BTSS091004DTIP2-P | 0 | 1412BTSS 24.125" x 108" Right Inner Panel Part |
| Parts List | | | |