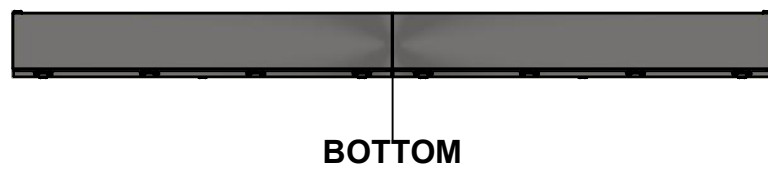
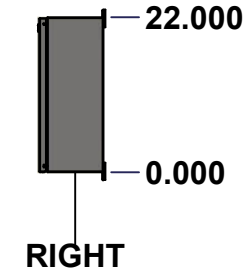
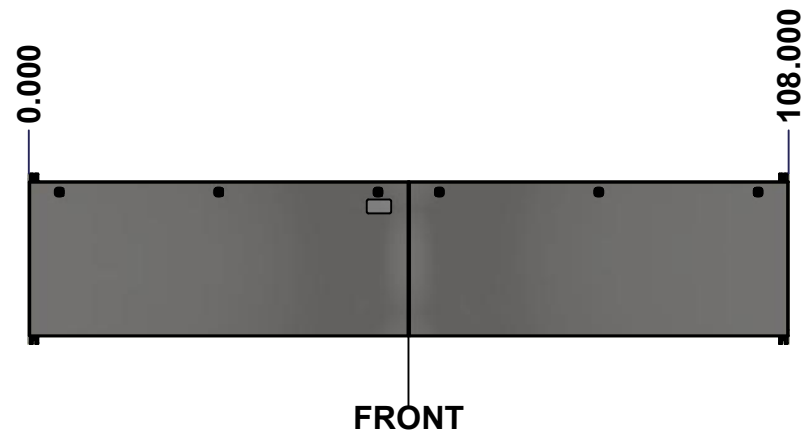
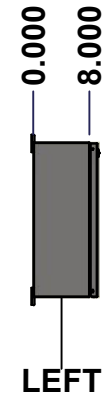
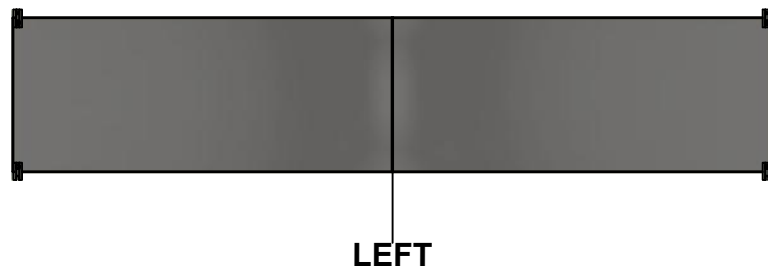
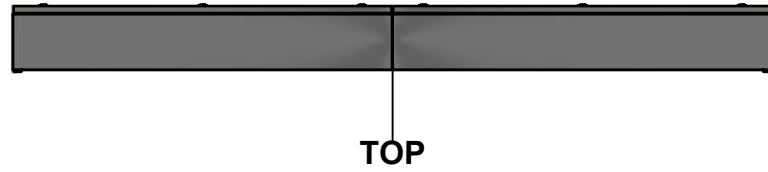
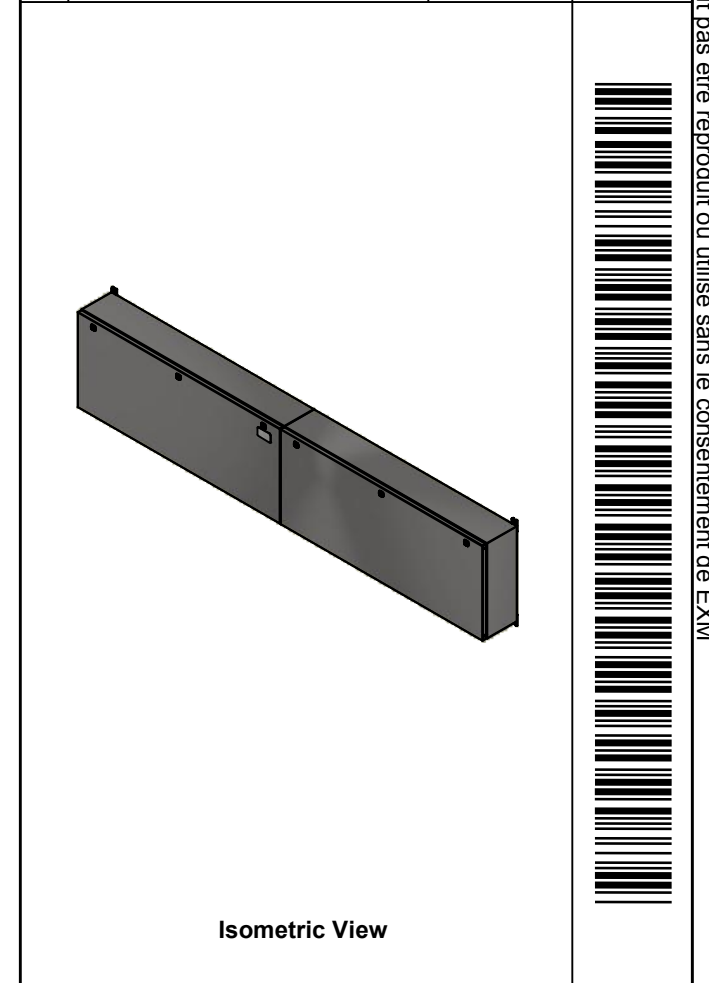



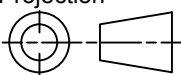
This drawing is confidential and must not be reproduced or used without the consent of EXM

Ce dessin est confidentiel et ne doit pas être reproduit ou utilisé sans le consentement de EXM



| No. | Revisions | Date | By/Par |
|-----|-----------|------|--------|
|     |           |      |        |
|     |           |      |        |
|     |           |      |        |
|     |           |      |        |
|     |           |      |        |



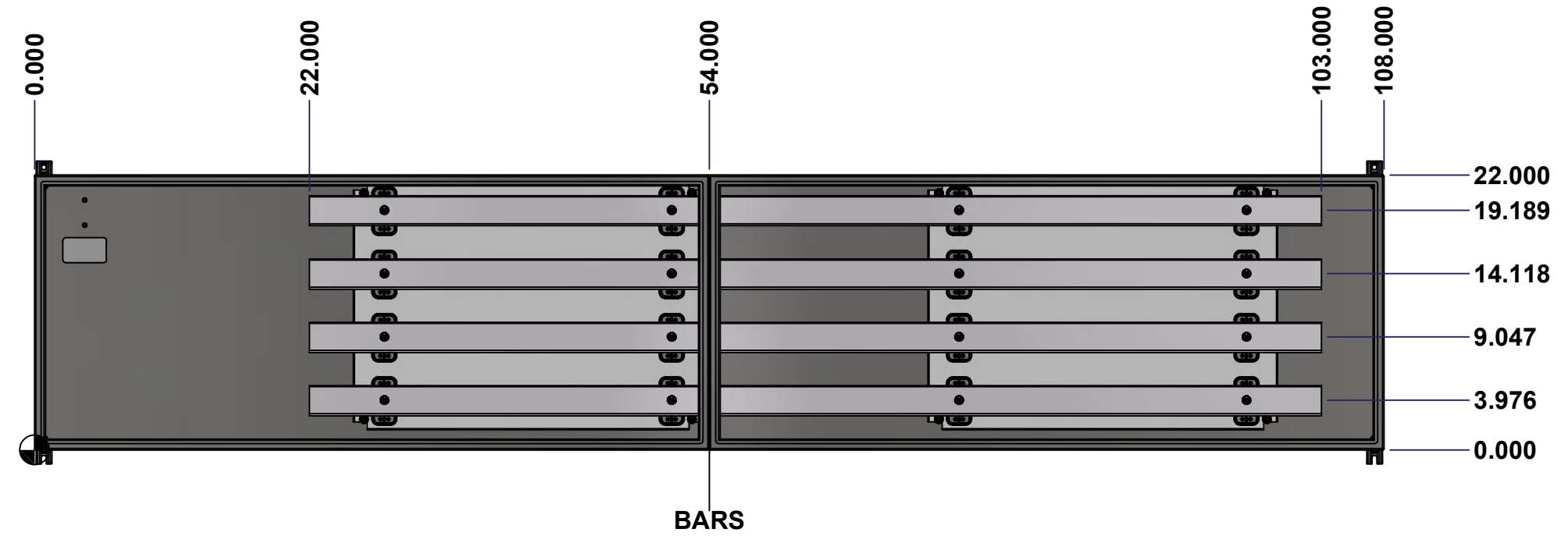
|  |                                   |   |
|--|-----------------------------------|---|
|  Tél: (450) 979-4373<br>Fax: (450) 979-4626<br><a href="http://www.exmweb.com">www.exmweb.com</a> |                                   | Flatness<br>Aplatissement<br>Max 3.0mm<br>Projection<br> |
| Customer Client  | Date                              |   |
| Drawn By<br>Dessiné Par  | BoxCad: BoxCad                    | Date 22-Sep-22  |
| Material<br>Matière  | 14 Ga Stainless Steel 304 (1.7mm) |   |
| Color<br>Couleur   | Unpainted                         | Finish<br>Fini<br>Brushed   |
| Description<br>1412BTSS 400A - 4Wires x 108" Assembly  |                                   | Detail Rev.   |
| Part Number<br>Numéro Pièce  | 1412BTSS09404                     | Rev. 0  |

**SEE BILL OF MATERIAL ON LAST PAGE**

This drawing is confidential and must not be reproduced or used without the consent of Eurobox

**STANDARD FEATURES ARE NOT LISTED IN THIS HOLE TABLE**

Ce dessin est confidentiel et ne doit pas être reproduit ou utilisé sans le consentement de Eurobox



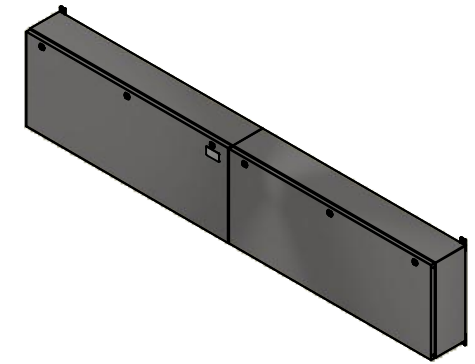
|                      |  |          |        |
|----------------------|--|----------|--------|
|                      | Description                            |          | Status |
|                      | 1412BTSS 400A - 4Wires x 108" Assembly |          | (NULL) |
| Part Number          |  | Rev.     |        |
| Numéro Pièce         |  | <b>0</b> | 2      |
| <b>1412BTSS09404</b> |  |          | 13     |

This drawing is confidential and must not be reproduced or used without the consent of EXM

Ce dessin est confidentiel et ne doit pas être reproduit ou utilisé sans le consentement de EXM

| NOTE |  |
|------|--|
| ITEM | DESCRIPTION                                |
| 1    | NEMA 4X Enclosure                          |
| 2    | C/W Standard ground studs on box and cover |
| 3    | W/O Standard door stiffener                |
| 4    | C/W Special inner panel (Sold separately)  |
| 5    | C/W Standard inner panel mounting studs    |


| No. | Revisions | Date | By/Par |
|-----|-----------|------|--------|
|     |           |      |        |
|     |           |      |        |
|     |           |      |        |
|     |           |      |        |
|     |           |      |        |



Isometric View

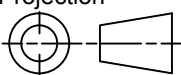
| PACKING               |     |  |
|-----------------------|-----|--|
| ITEM                  | QTY | DESCRIPTION                                    |
| Cardboard sleeve      | 2   | Top and Bottom                                 |
| Cardboard strip       | 2   | Between back of enclosure and inner panel      |
| Plastic bag           | 1   | To protect cover surface and inside gasket     |
| Cardboard corner      | 4   | To reinforced for the plastic strap tightening |
| Plastic strap - Black | 2   | To Squeeze 2 cardboard sleeve together         |
| Packaging label       | 3   | White label with PN                            |
| Plastic strap- Green  | 2   | To secure the enclosure to the wood pallet     |
| Wood Pallet           | 1   | 2" deeper and 3" larger than enclosure size    |

|            |                     |     |  |
|------------|---------------------|-----|--|
| 8          | STK-Q-04051-07      | 8   | M6 x 7mm Stainless Steel Hexagon Socket Head Machine Screw with Nyseal |
| 1          | 885 ESMF2           | 0   | 885 ESMF2 Stainless Steel Mounting Feet Kit                            |
| 1          | 1412BTSS09404IP2    | 0   | 1412BTSS 19.838" x 28" Right Inner Panel                               |
| 1          | 1412BTSS09404BAR1-P | 0   | Rounded Edge Aluminum Bar 1/4" x 2 1/2"                                |
| 1          | 1412BTSS09404BAR2-P | 0   | Rounded Edge Aluminum Bar 1/4" x 2 1/2"                                |
| 1          | 1412BTSS09404BAR3-P | 0   | Rounded Edge Aluminum Bar 1/4" x 2 1/2"                                |
| 1          | 1412BTSS09404BAR4-P | 0   | Rounded Edge Aluminum Bar 1/4" x 2 1/2"                                |
| 1          | 1412BTSS09404IP1    | 0   | 1412BTSS 19.838" x 28" Left Inner Panel                                |
| 16         | STK-A-67400         | 0   | Buss Bar Insulator Kit   |
| 1          | STK-K-01800         | 5   | 5412 ES Accessory Kit  |
| 24         | STK-Q-07310         | 2   | Flange Lock Nut M8   |
| 8          | STK-Q-07610         | 8   | M8 Plastic Spacer 22.2mm   |
| 1          | 1412BTSS09404B      | 0   | 1412BTSS 22" x 108" x 8" Body  |
| 1          | 1412BTSS09404C      | 0   | 1412BTSS 22" x 108" Cover  |
| Qty        | Part Number         | Rev | Description  |
| Parts List |                     |     |  |



Tél: (450) 979-4373  
Fax: (450) 979-4626  
[www.exmweb.com](http://www.exmweb.com)

Flatness  
Aplatissement  
Max 3.0mm

Projection  


|   |                        |                |
|---|------------------------|----------------|
| Customer Client                                       |                        | Date           |
| Drawn By<br>Dessiné Par BoxCad: BoxCad                |                        | Date 22-Sep-22 |
| Material<br>Matière 14 Ga Stainless Steel 304 (1.7mm) |                        |                |
| Color<br>Couleur Unpainted                            | Finish<br>Fini Brushed |                |
| Description<br>1412BTSS 400A - 4Wires x 108" Assembly |                        | Detail Rev.    |
| Part Number<br>Numéro Pièce <b>1412BTSS09404</b>      |                        | Rev. 0         |

This drawing is confidential and must not be reproduced or used without the consent of EXM

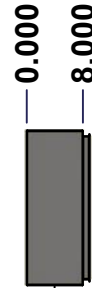
Ce dessin est confidentiel et ne doit pas être reproduit ou utilisé sans le consentement de EXM



TOP



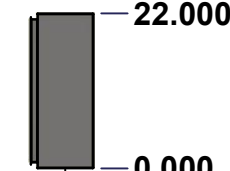
BACK



LEFT



FRONT

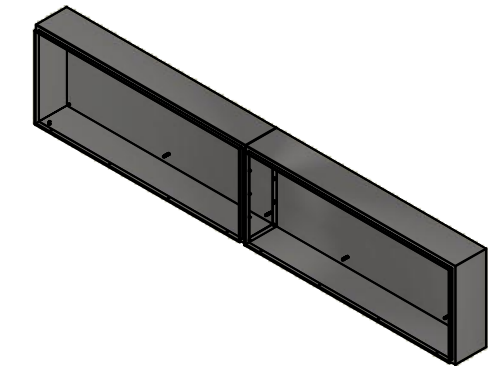


RIGHT



BOTTOM

| No. | Revisions | Date | By/Par |
|-----|-----------|------|--------|
|     |           |      |        |
|     |           |      |        |
|     |           |      |        |
|     |           |      |        |



Isometric View

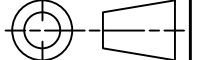


Tél: (450) 979-4373  
 Fax: (450) 979-4626  
[www.exmweb.com](http://www.exmweb.com)

Flatness  
Aplatissement

Max 3.0mm

Projection



|   |                        |
|---|------------------------|
| Customer Client                                       | Date                   |
| Drawn By<br>Dessiné Par BoxCad: BoxCad                | Date 22-Sep-22         |
| Material<br>Matière 14 Ga Stainless Steel 304 (1.7mm) |                        |
| Color<br>Couleur Unpainted                            | Finish<br>Fini Brushed |
| Description<br>1412BTSS 22" x 108" x 8" Body          | Detail Rev.            |
| Part Number<br>Numéro Pièce <b>1412BTSS09404B</b>     | Rev. <b>0</b>          |

SEE BILL OF MATERIAL ON LAST PAGE

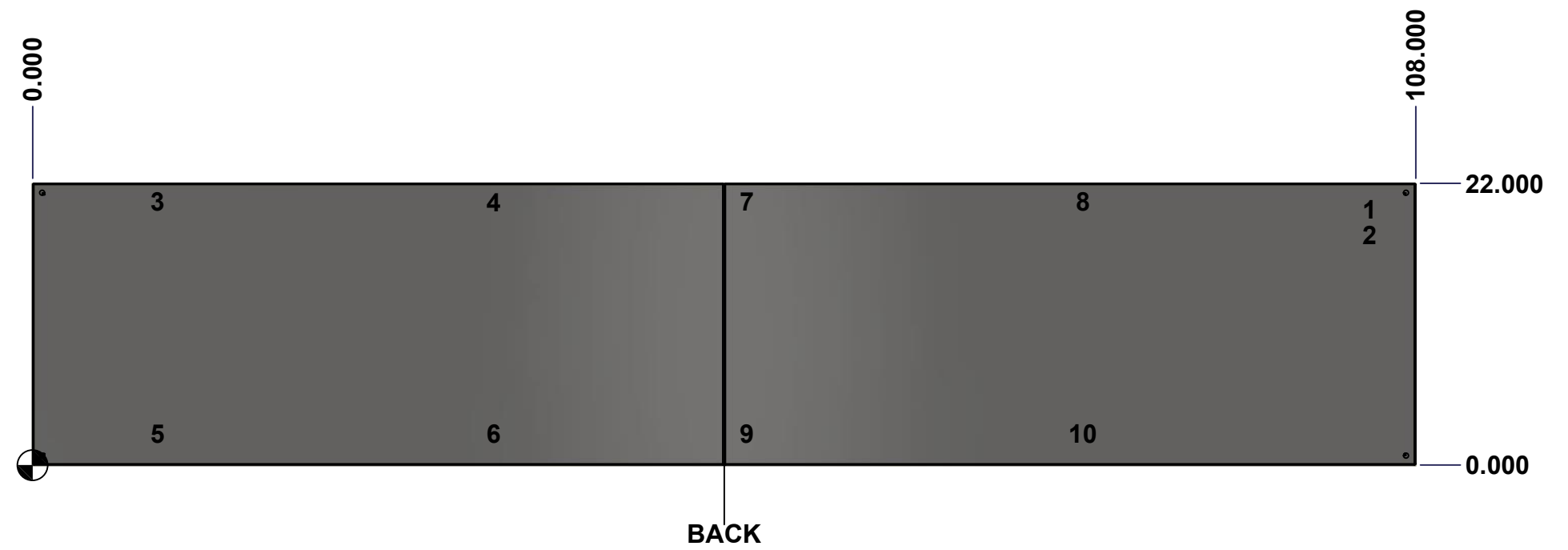
This drawing is confidential and must not be reproduced or used without the consent of Eurobox

Ce dessin est confidentiel et ne doit pas être reproduit ou utilisé sans le consentement de Eurobox

**STANDARD FEATURES ARE NOT LISTED IN THIS HOLE TABLE**

**HOLE TABLE - BACK VIEW (CUSTOM FEATURE ONLY)**

| CUT-OUT | XDIM    | YDIM   | DESCRIPTION                 |
|---------|---------|--------|-----------------------------|
| 1       | 104.000 | 20.000 | GND STUD M8 x 35mm (Inside) |
| 2       | 104.000 | 18.000 | GND STUD M8 x 35mm (Inside) |
| 3       | 9.375   | 20.563 | IP STUD M8 x 35mm (Inside)  |
| 4       | 35.625  | 20.563 | IP STUD M8 x 35mm (Inside)  |
| 5       | 9.375   | 2.475  | IP STUD M8 x 35mm (Inside)  |
| 6       | 35.625  | 2.475  | IP STUD M8 x 35mm (Inside)  |
| 7       | 55.375  | 20.563 | IP STUD M8 x 35mm (Inside)  |
| 8       | 81.625  | 20.563 | IP STUD M8 x 35mm (Inside)  |
| 9       | 55.375  | 2.475  | IP STUD M8 x 35mm (Inside)  |
| 10      | 81.625  | 2.475  | IP STUD M8 x 35mm (Inside)  |

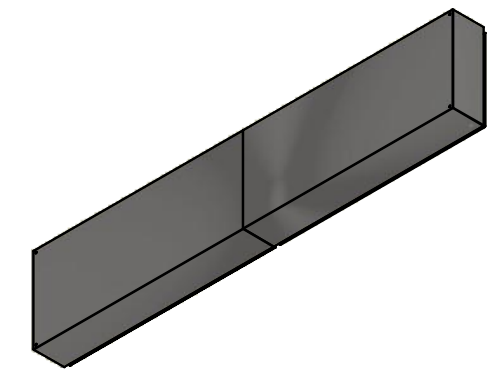


|  |                               |              |
|--|-------------------------------|--------------|
|  | Description                   | Status       |
|  | 1412BTSS 22" x 108" x 8" Body | (NULL)       |
|  | Part Number<br>Numéro Pièce   | Rev.         |
|  | <b>1412BTSS09404B</b>         | <b>0</b> / 5 |
|  |                               | 13           |

This drawing is confidential and must not be reproduced or used without the consent of EXM


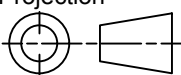
Ce dessin est confidentiel et ne doit pas être reproduit ou utilisé sans le consentement de EXM

| No. | Revisions | Date | By/Par |
|-----|-----------|------|--------|
|     |           |      |        |
|     |           |      |        |
|     |           |      |        |
|     |           |      |        |
|     |           |      |        |



Isometric View

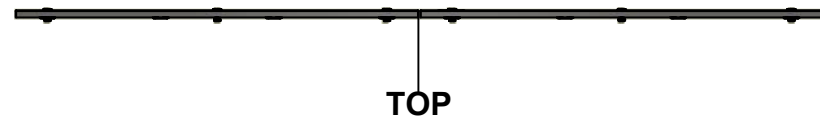


|  |                        |   |
|--|------------------------|---|
|  Tél: (450) 979-4373<br>Fax: (450) 979-4626<br><a href="http://www.exmweb.com">www.exmweb.com</a> |                        | Flatness<br>Aplatissement<br>Max 3.0mm  |
| Customer Client  |                        | Projection<br> |
| Drawn By<br>Dessiné Par BoxCad: BoxCad   |                        | Date 22-Sep-22  |
| Material<br>Matière 14 Ga Stainless Steel 304 (1.7mm)  |                        |   |
| Color<br>Couleur Unpainted   | Finish<br>Fini Brushed |   |
| Description<br>1412BTSS 22" x 108" x 8" Body   |                        | Detail Rev.   |
| Part Number<br>Numéro Pièce<br><b>1412BTSS09404B</b>   |                        | Rev. 6<br><b>0</b>  |

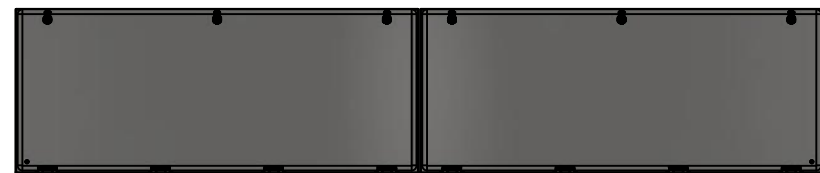
| Qty        | Part Number      | Rev | Description                              |
|------------|------------------|-----|--|
| 1          | 1412BTSS09404B-P | 0   | 1412BTSS 22" x 108" x 8" Left Body Part  |
| 1          | 1412BTSS09404E-P | 0   | 1412BTSS 22" x 108" x 8" Right Body Part |
| 1          | STK-G-00701      | 0   | 1" x 1/4" Self-Adhesive Neoprene Gasket  |
| 10         | STK-Q-00260      | 1   | M6 x 13mm Carriage Bolt                  |
| 10         | STK-Q-07220      | 1   | M6 Nylon Insert Lock Nut                 |
| 10         | STK-Q-16020      | 1   | Stud M8 x 35mm Stainless Steel           |
| 2          | STK-Q-16095      | 0   | M6 x 16mm Stainless Steel Ground Stud    |
| 1          | STK-S-00100      | 0   | 3.5" x 2" Silver Milar Flexcon Sticker   |
| Parts List |                  |     |  |

This drawing is confidential and must not be reproduced or used without the consent of EXM

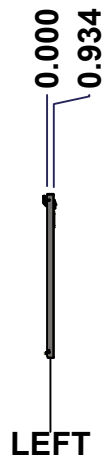
Ce dessin est confidentiel et ne doit pas être reproduit ou utilisé sans le consentement de EXM



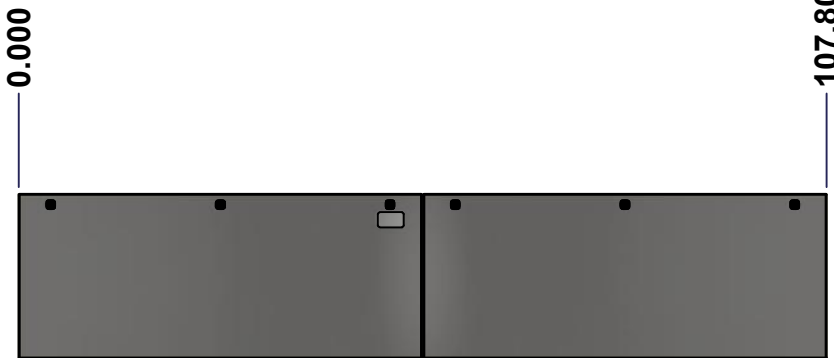
TOP



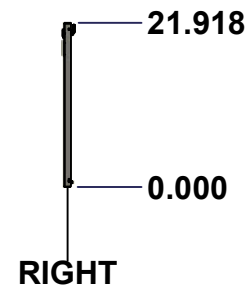
BACK



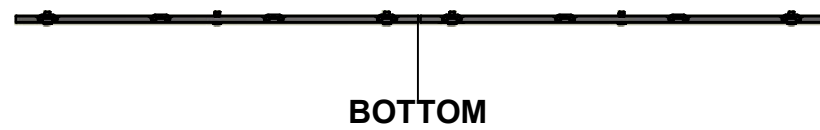
LEFT



FRONT

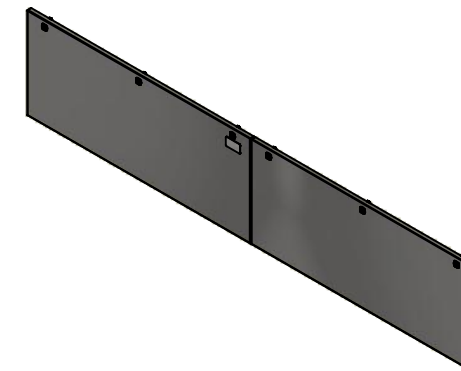


RIGHT



BOTTOM

| No. | Revisions | Date | By/Par |
|-----|-----------|------|--------|
|     |           |      |        |
|     |           |      |        |
|     |           |      |        |
|     |           |      |        |
|     |           |      |        |



Isometric View



Tél: (450) 979-4373  
 Fax: (450) 979-4626  
[www.exmweb.com](http://www.exmweb.com)

Flatness  
Aplatissement

Max 3.0mm

Projection



|                         |                                   |
|-------------------------|-----------------------------------|
| Customer Client         | Date                              |
| Drawn By<br>Dessiné Par | Date 22-Sep-22                    |
| Material<br>Matière     | 14 Ga Stainless Steel 304 (1.7mm) |
| Color<br>Couleur        | Unpainted                         |
| Finish<br>Fini          | Brushed                           |

|                             |             |
|-----------------------------|-------------|
| Description                 | Detail Rev. |
| 1412BTSS 22" x 108" Cover   |             |
| Part Number<br>Numéro Pièce | Rev.        |
| 1412BTSS09404C              | 7           |

SEE BILL OF MATERIAL ON LAST PAGE

|   |    |
|---|----|
| 0 | 13 |
|---|----|

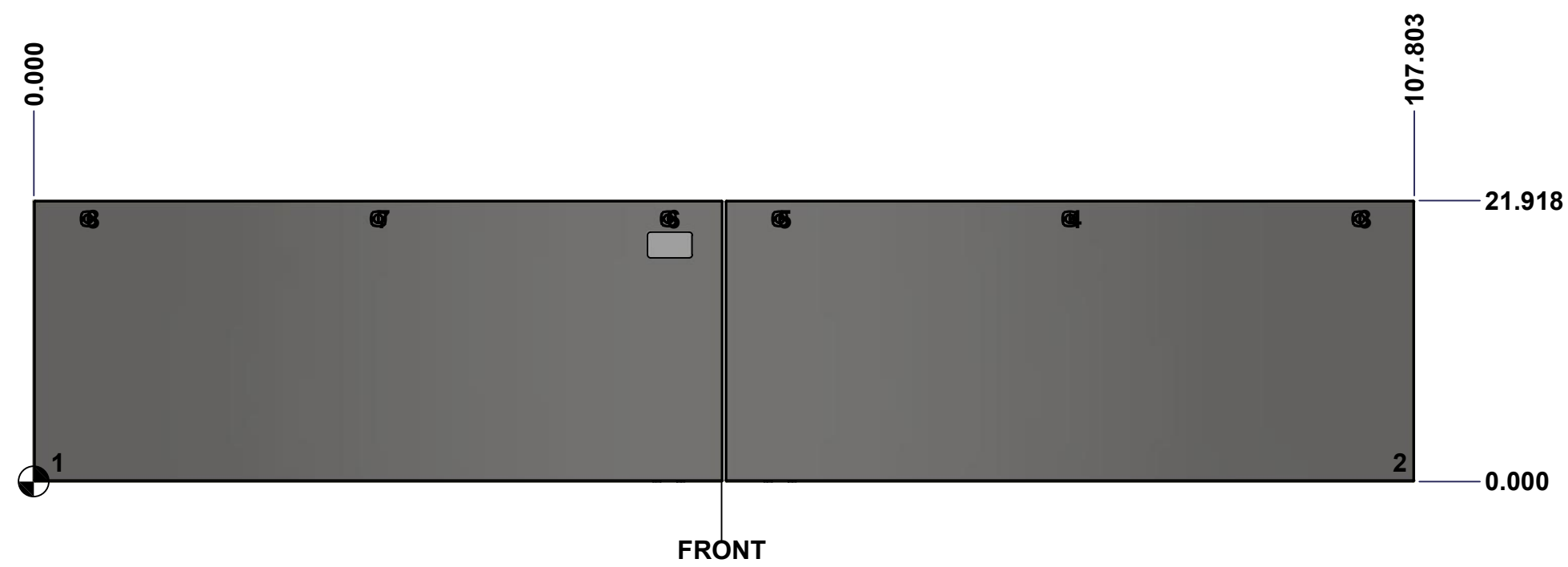
This drawing is confidential and must not be reproduced or used without the consent of Eurobox

Ce dessin est confidentiel et ne doit pas être reproduit ou utilisé sans le consentement de Eurobox

**STANDARD FEATURES ARE NOT LISTED IN THIS HOLE TABLE**

**HOLE TABLE - FRONT VIEW (CUSTOM FEATURE ONLY)**

| CUT-OUT | XDIM    | YDIM   | DESCRIPTION                 |
|---------|---------|--------|-----------------------------|
| 1       | 1.500   | 1.486  | GND STUD M6 x 16mm (Inside) |
| 2       | 106.303 | 1.486  | GND STUD M6 x 16mm (Inside) |
| 3       | 103.553 | 20.494 | LOCK 880 SCQ4-SLSS6 @ 90.0° |
| 4       | 80.902  | 20.494 | LOCK 880 SCQ4-SLSS6 @ 90.0° |
| 5       | 58.250  | 20.494 | LOCK 880 SCQ4-SLSS6 @ 90.0° |
| 6       | 49.553  | 20.494 | LOCK 880 SCQ4-SLSS6 @ 90.0° |
| 7       | 26.902  | 20.494 | LOCK 880 SCQ4-SLSS6 @ 90.0° |
| 8       | 4.250   | 20.494 | LOCK 880 SCQ4-SLSS6 @ 90.0° |



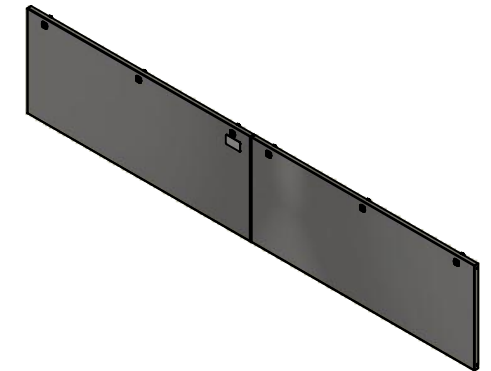
|  |                             |              |
|--|-----------------------------|--------------|
|  | Description                 | Status       |
|  | 1412BTSS 22" x 108" Cover   | (NULL)       |
|  | Part Number<br>Numéro Pièce | Rev.         |
|  | <b>1412BTSS09404C</b>       | <b>0</b> / 8 |
|  |                             | 13           |



This drawing is confidential and must not be reproduced or used without the consent of EXM


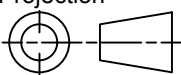
Ce dessin est confidentiel et ne doit pas être reproduit ou utilisé sans le consentement de EXM

| No. | Revisions | Date | By/Par |
|-----|-----------|------|--------|
|     |           |      |        |
|     |           |      |        |
|     |           |      |        |
|     |           |      |        |
|     |           |      |        |



Isometric View

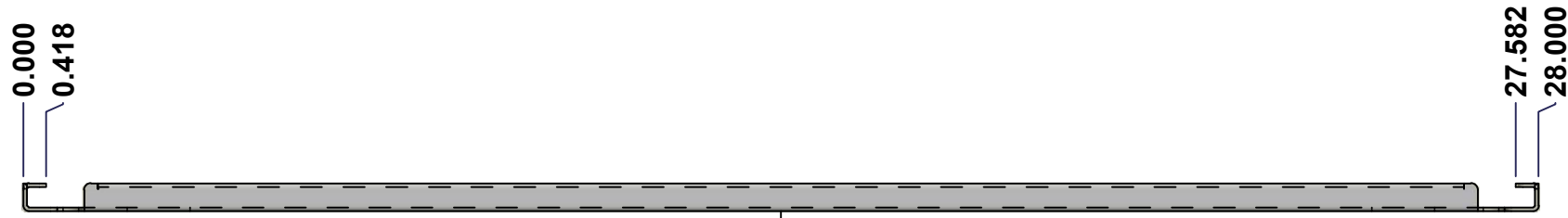


|  |                                   |   |
|--|-----------------------------------|---|
|  Tél: (450) 979-4373<br>Fax: (450) 979-4626<br><a href="http://www.exmweb.com">www.exmweb.com</a> | Flatness<br>Aplatissement         | Max 3.0mm   |
|  | Projection                        |  |
| Customer Client  | Date                              |   |
| Drawn By<br>Dessiné Par  | BoxCad: BoxCad                    | Date 22-Sep-22  |
| Material<br>Matière  | 14 Ga Stainless Steel 304 (1.7mm) |   |
| Color<br>Couleur   | Unpainted                         | Finish<br>Fini Brushed  |
| Description  | Detail Rev.                       |   |
| 1412BTSS 22" x 108" Cover  |                                   |   |
| Part Number<br>Numéro Pièce  | Rev.                              | 9   |
| <b>1412BTSS09404C</b>  | <b>0</b>                          | 13  |

| Qty        | Part Name        | Rev | Description                              |
|------------|------------------|-----|--|
| 2          | 1412BTSS09404G   | 0   | 1412BTSS 22" x 108" Cover Gasket         |
| 8          | STK-K-09850      | 6   | 5412 ESS Hinge with 2 Captive Hinge Pins |
| 2          | STK-Q-16095      | 0   | M6 x 16mm Stainless Steel Ground Stud    |
| 1          | STK-S-00100      | 0   | 3.5" x 2" Silver Milar Flexcon Sticker   |
| 1          | 1412BTSS09404C-P | 0   | 1412BTSS 22" x 54" Left Cover Part       |
| 1          | 1412BTSS09404F-P | 0   | 1412BTSS 22" x 108" Right Cover Part     |
| 6          | 880 SCQ4-SLSS6   | 7   | 5412 ESS 1/4 Turn Lock                   |
| Parts List |                  |     |  |

This drawing is confidential and must not be reproduced or used without the consent of EXM

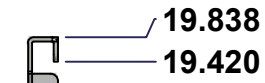
Ce dessin est confidentiel et ne doit pas être reproduit ou utilisé sans le consentement de EXM



TOP



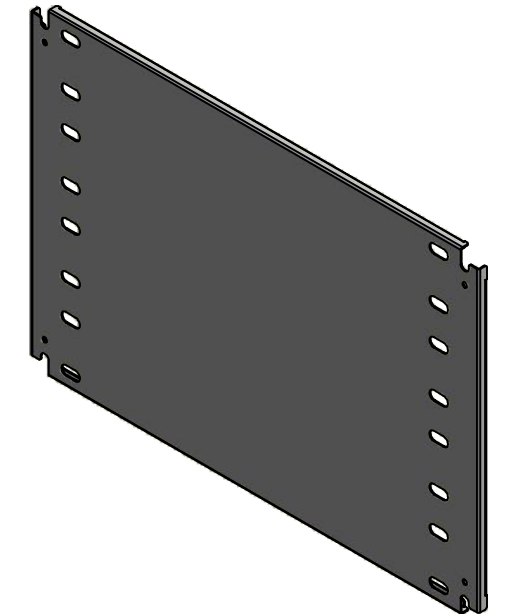
FRONT



RIGHT



| No. | Revisions | Date | By/Par |
|-----|-----------|------|--------|
|     |           |      |        |
|     |           |      |        |
|     |           |      |        |
|     |           |      |        |
|     |           |      |        |



Isometric View

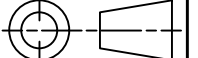


Tél: (450) 979-4373  
 Fax: (450) 979-4626  
[www.exmweb.com](http://www.exmweb.com)

Flatness  
Aplatissement

Max 3.0mm

Projection



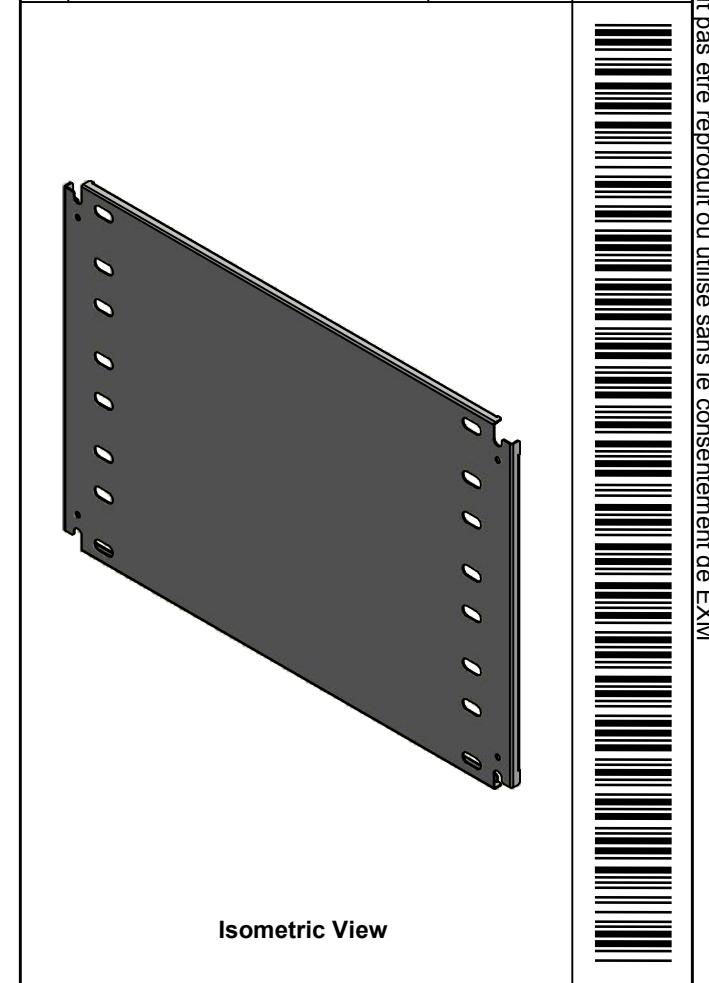
|   |                       |
|---|-----------------------|
| Customer Client   | Date                  |
| Drawn By<br>Dessiné Par BoxCad: BoxCad                        | Date 22-Sep-22        |
| Material<br>Matière 14 Ga Cold Rolled A1008 CS Type B (1.7mm) |                       |
| Color<br>Couleur White RAL9003                                | Finish<br>Fini Smooth |
| Description<br>1412BTSS 19.838" x 28" Left Inner Panel        | Detail Rev.           |
| Part Number<br>Numéro Pièce <b>1412BTSS09404IP1</b>           | Rev. 10<br><b>0</b>   |

SEE BILL OF MATERIAL ON LAST PAGE

This drawing is confidential and must not be reproduced or used without the consent of EXM


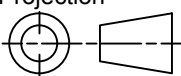
Ce dessin est confidentiel et ne doit pas être reproduit ou utilisé sans le consentement de EXM

| No. | Revisions | Date | By/Par |
|-----|-----------|------|--------|
|     |           |      |        |
|     |           |      |        |
|     |           |      |        |
|     |           |      |        |
|     |           |      |        |



Isometric View

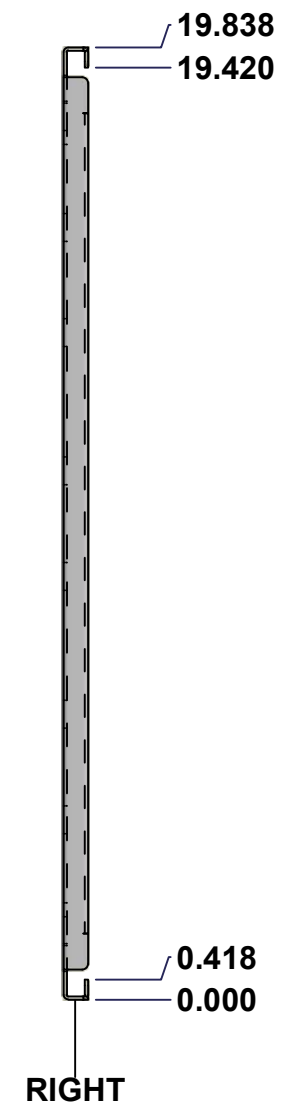
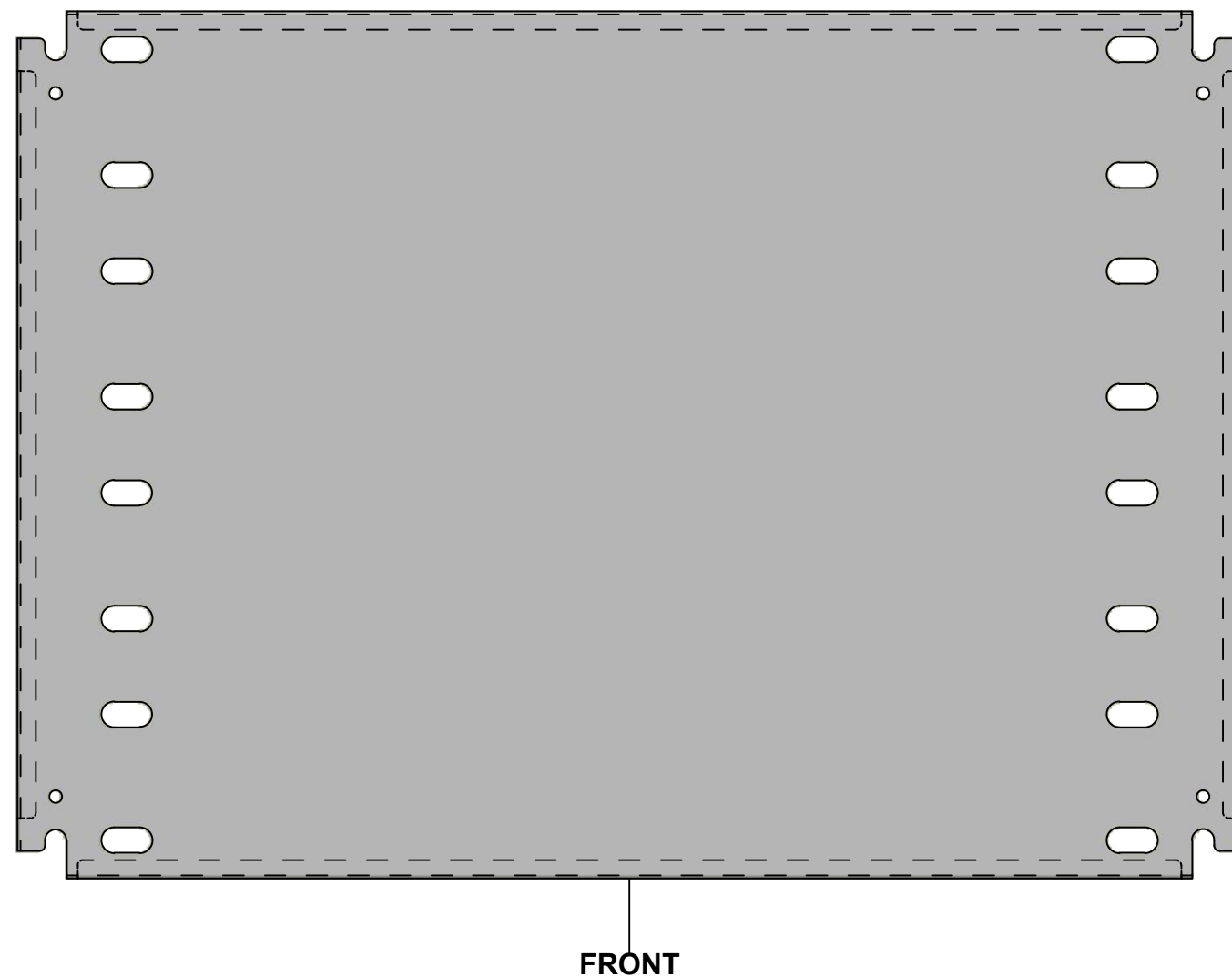
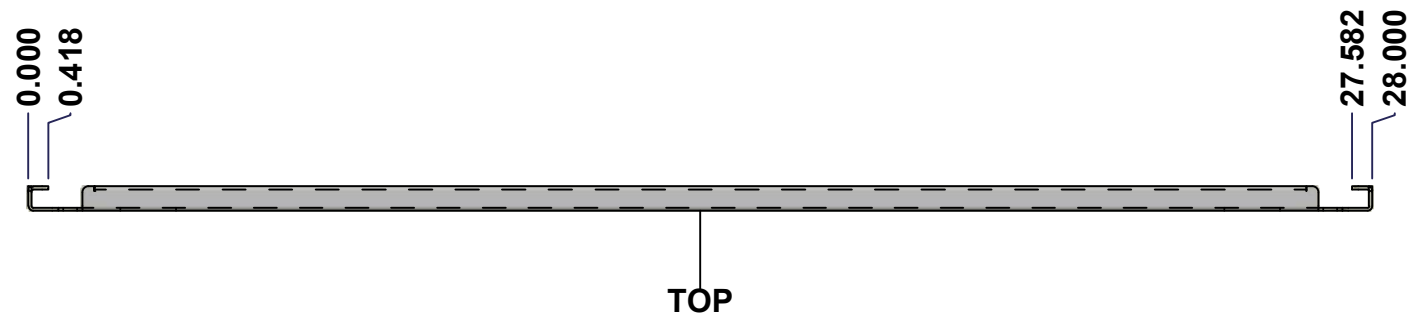


|  |                       |   |
|--|-----------------------|---|
|  Tél: (450) 979-4373<br>Fax: (450) 979-4626<br><a href="http://www.exmweb.com">www.exmweb.com</a> |                       | Flatness<br>Aplatissement<br>Max 3.0mm  |
| Customer Client  |                       | Projection<br> |
| Drawn By / Dessiné Par: BoxCad: BoxCad   |                       | Date: 22-Sep-22   |
| Material / Matière: 14 Ga Cold Rolled A1008 CS Type B (1.7mm)  |                       |   |
| Color / Couleur: White RAL9003   | Finish / Fini: Smooth |   |
| Description: 1412BTSS 19.838" x 28" Left Inner Panel   |                       | Detail Rev.   |
| Part Number / Numéro Pièce: <b>1412BTSS09404IP1</b>  |                       | Rev. 0 / 11   |

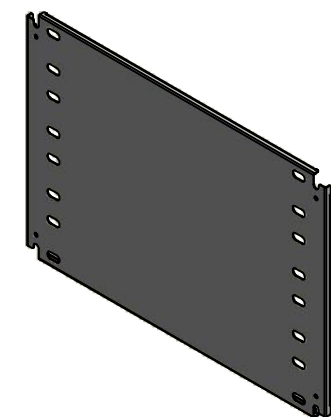
| Qty        | Part Number        | Rev | Description                                   |
|------------|--------------------|-----|---|
| 1          | STK-P-02401S       | 0   | Powder Paint (White / Smooth)                 |
| 1          | 1412BTSS09404IP1-P | 0   | 1412BTSS 19.838" x 108" Left Inner Panel Part |
| Parts List |                    |     |   |

This drawing is confidential and must not be reproduced or used without the consent of EXM

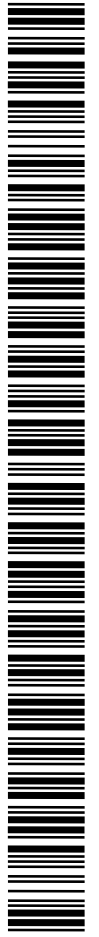
Ce dessin est confidentiel et ne doit pas être reproduit ou utilisé sans le consentement de EXM



| No. | Revisions | Date | By/Par |
|-----|-----------|------|--------|
|     |           |      |        |
|     |           |      |        |
|     |           |      |        |
|     |           |      |        |
|     |           |      |        |



Isometric View

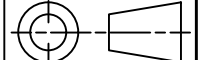


Tél: (450) 979-4373  
Fax: (450) 979-4626  
[www.exmweb.com](http://www.exmweb.com)

Flatness  
Aplatissement

Max 3.0mm

Projection



|   |                |
|---|----------------|
| Customer<br>Client  | Date           |
| Drawn By<br>Dessiné Par BoxCad: BoxCad                        | Date 22-Sep-22 |
| Material<br>Matière 14 Ga Cold Rolled A1008 CS Type B (1.7mm) |                |

|                                |                       |
|--------------------------------|-----------------------|
| Color<br>Couleur White RAL9003 | Finish<br>Fini Smooth |
|--------------------------------|-----------------------|

|   |             |
|---|-------------|
| Description<br>1412BTSS 19.838" x 28" Right Inner Panel | Detail Rev. |
|---|-------------|

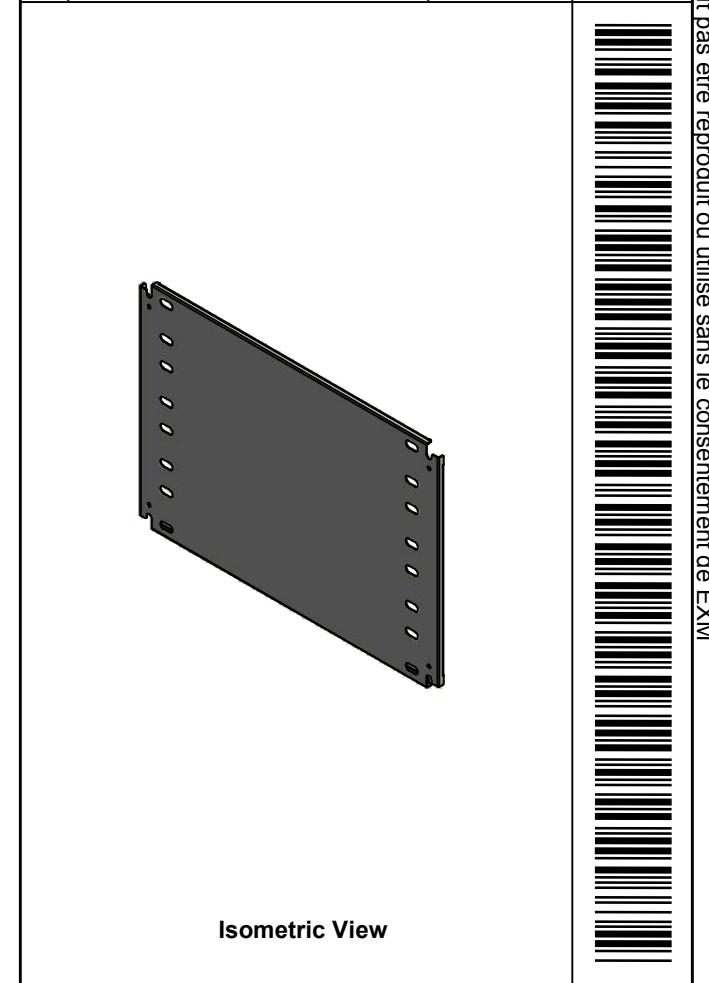
|  |                  |          |
|--|------------------|----------|
| Part Number<br>Numéro Pièce<br><b>1412BTSS09404IP2</b> | Rev.<br><b>0</b> | 12<br>13 |
|--|------------------|----------|


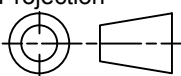
SEE BILL OF MATERIAL ON LAST PAGE

This drawing is confidential and must not be reproduced or used without the consent of EXM

Ce dessin est confidentiel et ne doit pas être reproduit ou utilisé sans le consentement de EXM

| No. | Revisions | Date | By/Par |
|-----|-----------|------|--------|
|     |           |      |        |
|     |           |      |        |
|     |           |      |        |
|     |           |      |        |
|     |           |      |        |



|  |                       |   |
|--|-----------------------|---|
|  Tél: (450) 979-4373<br>Fax: (450) 979-4626<br><a href="http://www.exmweb.com">www.exmweb.com</a> |                       | Flatness<br>Aplatissement<br>Max 3.0mm  |
| Customer Client  |                       | Projection<br> |
| Drawn By / Dessiné Par: BoxCad: BoxCad   |                       | Date: 22-Sep-22   |
| Material / Matière: 14 Ga Cold Rolled A1008 CS Type B (1.7mm)  |                       |   |
| Color / Couleur: White RAL9003   | Finish / Fini: Smooth |   |
| Description: 1412BTSS 19.838" x 28" Right Inner Panel  |                       | Detail Rev.   |
| Part Number / Numéro Pièce: <b>1412BTSS09404IP2</b>  |                       | Rev. 0 / 13   |

| Qty        | Part Number        | Rev | Description                                    |
|------------|--------------------|-----|--|
| 1          | STK-P-02401S       | 0   | Powder Paint (White / Smooth)                  |
| 1          | 1412BTSS09404IP2-P | 0   | 1412BTSS 19.838" x 108" Right Inner Panel Part |
| Parts List |                    |     |  |