

This drawing is confidential and must not be reproduced or used without the consent of EXM

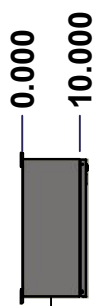
Ce dessin est confidentiel et ne doit pas être reproduit ou utilisé sans le consentement de EXM



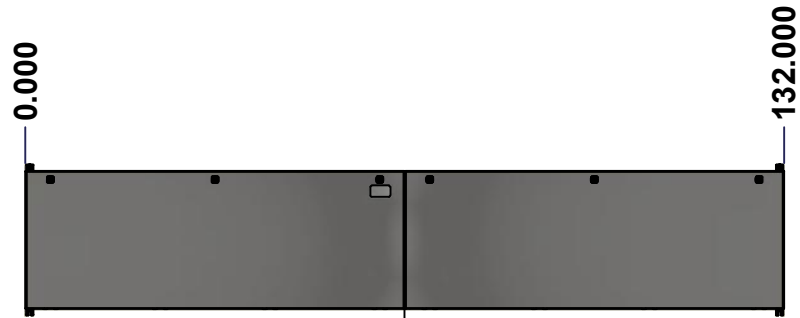
TOP



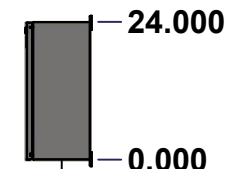
LEFT



LEFT



FRONT

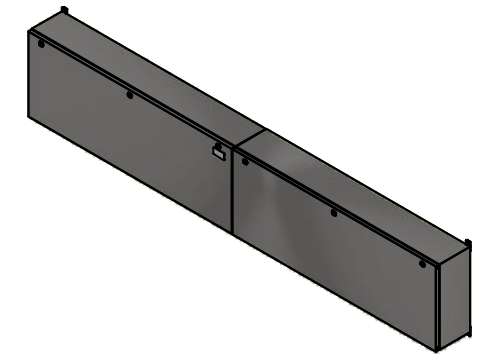


RIGHT



BOTTOM

No.	Revisions	Date	By/Par



Isometric View



Tél: (450) 979-4373  
 Fax: (450) 979-4626  
[www.exmweb.com](http://www.exmweb.com)

Flatness  
Aplatissement  
Max 3.0mm  
Projection

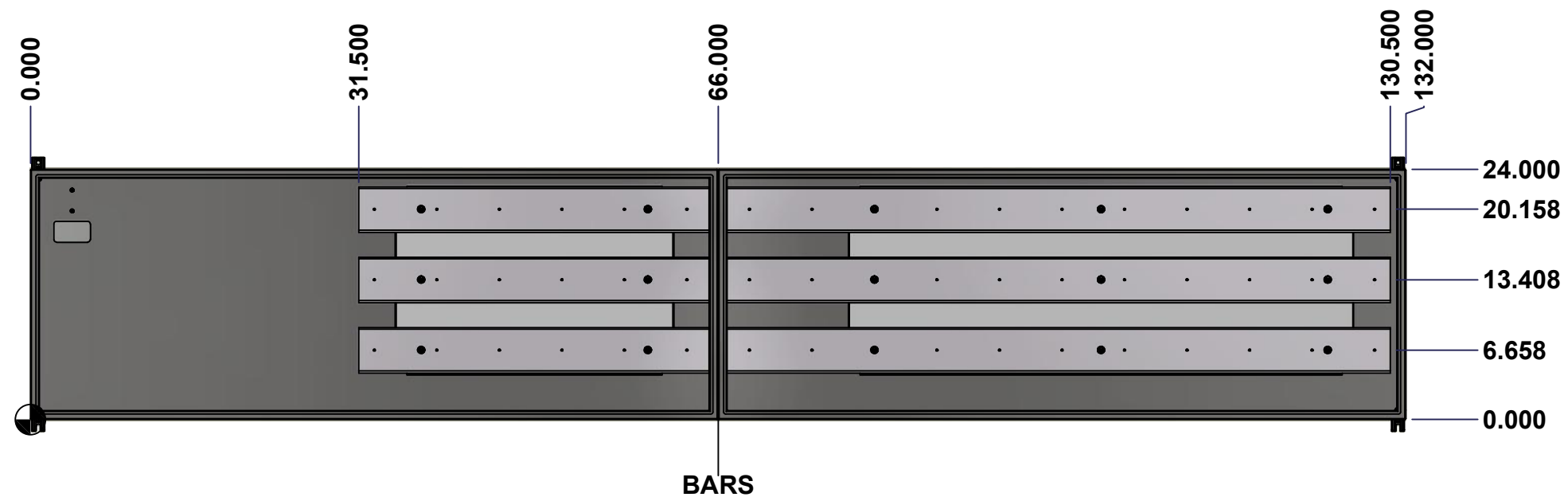
Customer Client	Date
Drawn By / Dessiné Par: BoxCad: BoxCad	Date: 11/1/2022
Material / Matière: 14 Ga Stainless Steel 304 (1.7mm)	
Color / Couleur: Unpainted	Finish / Fini: Brushed
Description: 1412BTSS 1000A - 3Wires x 132" Assembly	
Part Number / Numéro Pièce: 1412BTSS111003DT	Rev. 0

SEE BILL OF MATERIAL ON LAST PAGE

This drawing is confidential and must not be reproduced or used without the consent of Eurobox

Ce dessin est confidentiel et ne doit pas être reproduit ou utilisé sans le consentement de Eurobox

**STANDARD FEATURES ARE NOT LISTED IN THIS HOLE TABLE**



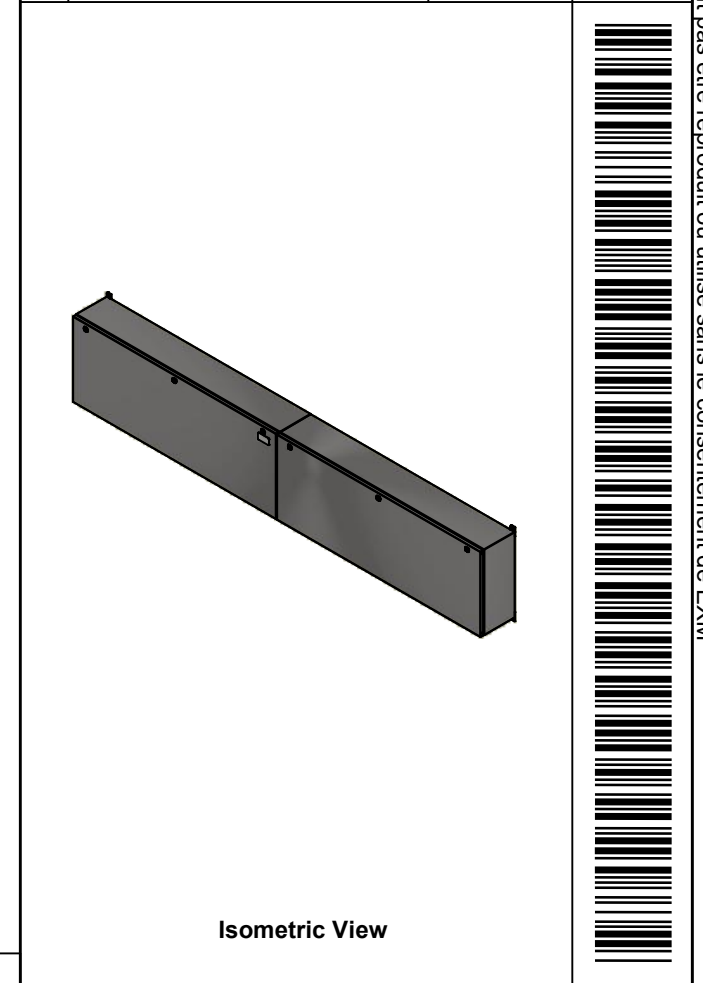
	Description 1412BTSS 1000A - 3Wires x 132" Assembly		Status (NULL)
	Part Number Numéro Pièce <b>1412BTSS111003DT</b>		Rev. 2 <b>0</b> / 16

This drawing is confidential and must not be reproduced or used without the consent of EXM

Ce dessin est confidentiel et ne doit pas être reproduit ou utilisé sans le consentement de EXM

NOTE	
ITEM	DESCRIPTION
1	NEMA 4X Enclosure
2	C/W Standard ground studs on box and cover
3	W/O Standard door stiffener
4	C/W Special inner panel (Sold separately)
5	C/W Standard inner panel mounting studs

No.	Revisions	Date	By/Par



PACKING		
ITEM	QTY	DESCRIPTION
Cardboard sleeve	2	Top and Bottom
Cardboard strip	2	Between back of enclosure and inner panel
Plastic bag	1	To protect cover surface and inside gasket
Cardboard corner	4	To reinforced for the plastic strap tightening
Plastic strap - Black	2	To Squeeze 2 cardboard sleeve together
Packaging label	3	White label with PN
Plastic strap- Green	2	To secure the enclosure to the wood pallet
Wood Pallet	1	2" deeper and 3" larger than enclosure size

8	STK-Q-04051-07	8	M6 x 7mm Stainless Steel Hexagon Socket Head Machine Screw with Nyseal
1	885 ESMF2	0	885 ESMF2 Stainless Steel Mounting Feet Kit
1	1412BTSS111003DTIP2	0	1412BTSS 18.125" x 48.5" Right Inner Panel
1	1412BTSS111003DTBAR 1-P	0	Rounded Edge Aluminum Bar 3/8" x 4 1/2"
1	1412BTSS111003DTBAR 2-P	0	Rounded Edge Aluminum Bar 3/8" x 4 1/2"
1	1412BTSS111003DTBAR 3-P	0	Rounded Edge Aluminum Bar 3/8" x 4 1/2"
1	1412BTSS111003DTIP1	0	1412BTSS 18.125" x 26.75" Left Inner Panel
15	STK-A-67400	0	Buss Bar Insulator Kit
1	STK-K-01800	5	5412 ES Accessory Kit
25	STK-Q-07310	2	Flange Lock Nut M8
10	STK-Q-07610	8	M8 Plastic Spacer 22.2mm
1	1412BTSS111003DTB	0	1412BTSS 24" x 132" x 10" Body
1	1412BTSS111003DTC	0	1412BTSS 24" x 132" Cover
Qty	Part Number	Rev	Description
Parts List			

Tél: (450) 979-4373  
Fax: (450) 979-4626  
[www.exmweb.com](http://www.exmweb.com)

Flatness  
Aplatissement  
Max 3.0mm

Projection

Customer Client	Date
Drawn By Dessiné Par	Date 11/1/2022
Material Matière	BoxCad: BoxCad 14 Ga Stainless Steel 304 (1.7mm)
Color Couleur	Unpainted Finish Fini Brushed
Description 1412BTSS 1000A - 3Wires x 132" Assembly	Detail Rev.
Part Number Numéro Pièce <b>1412BTSS111003DT</b>	Rev. 0

This drawing is confidential and must not be reproduced or used without the consent of EXM

Ce dessin est confidentiel et ne doit pas être reproduit ou utilisé sans le consentement de EXM



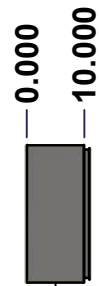
TOP



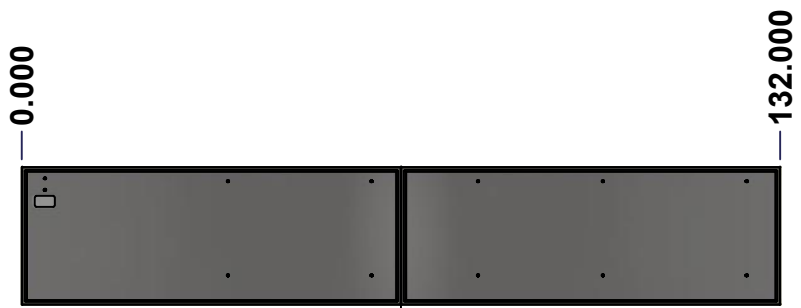
BACK



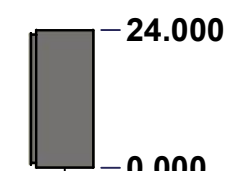
BOTTOM



LEFT

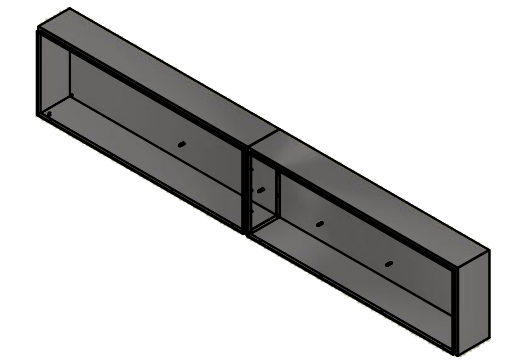


FRONT

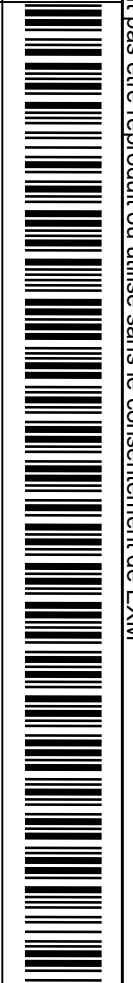


RIGHT

No.	Revisions	Date	By/Par



Isometric View



Tél: (450) 979-4373  
 Fax: (450) 979-4626  
[www.exmweb.com](http://www.exmweb.com)

Flatness  
Aplatissement  
Max 3.0mm  
Projection

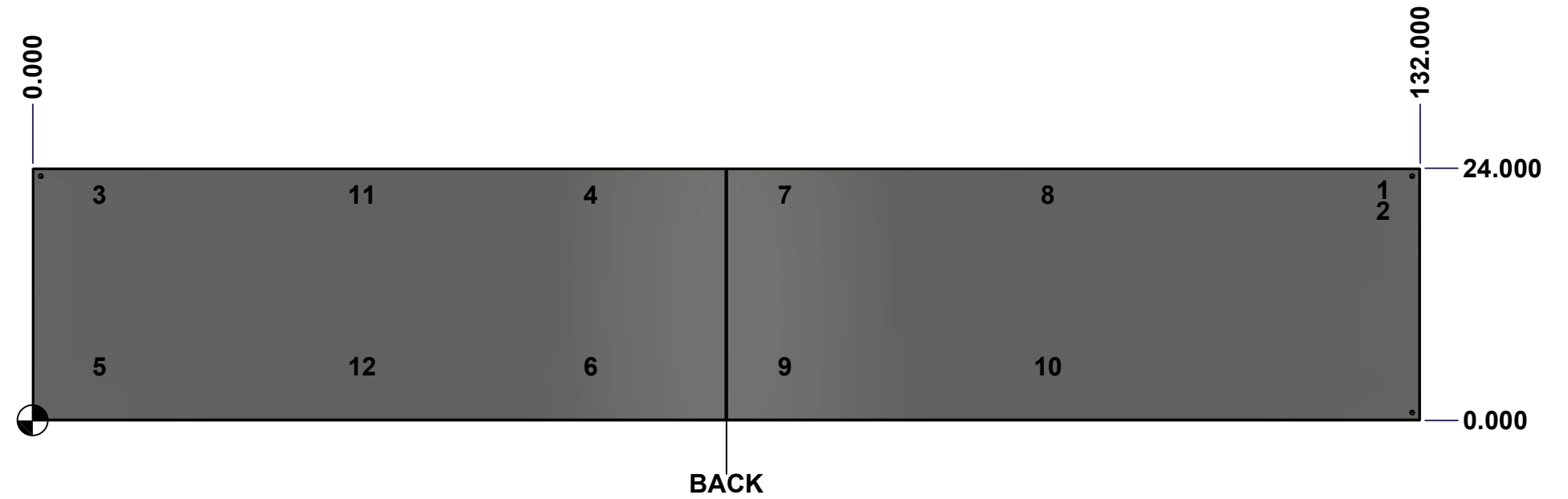
Customer Client	Date
Drawn By Dessiné Par BoxCad: BoxCad	Date 11/1/2022
Material Matière 14 Ga Stainless Steel 304 (1.7mm)	
Color Couleur Unpainted	Finish Fini Brushed
Description 1412BTSS 24" x 132" x 10" Body	Detail Rev.
Part Number Numéro Pièce <b>1412BTSS111003DTB</b>	Rev. <b>0</b>

SEE BILL OF MATERIAL ON LAST PAGE

This drawing is confidential and must not be reproduced or used without the consent of Eurobox

Ce dessin est confidentiel et ne doit pas être reproduit ou utilisé sans le consentement de Eurobox

STANDARD FEATURES ARE NOT LISTED IN THIS HOLE TABLE			
HOLE TABLE - BACK VIEW (CUSTOM FEATURE ONLY)			
CUT-OUT	XDIM	YDIM	DESCRIPTION
1	128.000	22.000	GND STUD M8 x 35mm (Inside)
2	128.000	20.000	GND STUD M8 x 35mm (Inside)
3	5.875	21.500	IP STUD M8 x 35mm (Inside)
4	52.625	21.500	IP STUD M8 x 35mm (Inside)
5	5.875	5.125	IP STUD M8 x 35mm (Inside)
6	52.625	5.125	IP STUD M8 x 35mm (Inside)
7	71.125	21.500	IP STUD M8 x 35mm (Inside)
8	96.125	21.500	IP STUD M8 x 35mm (Inside)
9	71.125	5.125	IP STUD M8 x 35mm (Inside)
10	96.125	5.125	IP STUD M8 x 35mm (Inside)
11	30.875	21.500	IP STUD M8 x 35mm (Inside)
12	30.875	5.125	IP STUD M8 x 35mm (Inside)

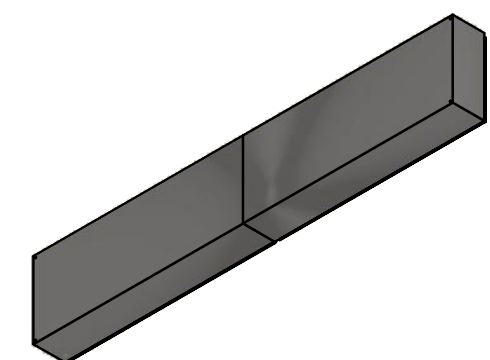


	Description		Status
	1412BTSS 24" x 132" x 10" Body		(NULL)
Part Number Numéro Pièce		Rev.	5
<b>1412BTSS111003DTB</b>		<b>0</b>	16

This drawing is confidential and must not be reproduced or used without the consent of EXM


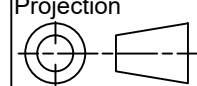
Ce dessin est confidentiel et ne doit pas être reproduit ou utilisé sans le consentement de EXM

No.	Revisions	Date	By/Par



Isometric View



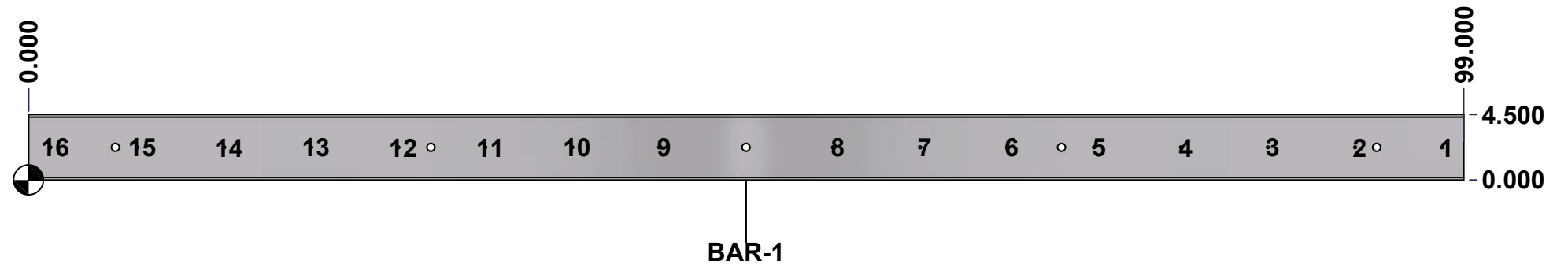
 Tél: (450) 979-4373 Fax: (450) 979-4626 <a href="http://www.exmweb.com">www.exmweb.com</a>	Flatness Aplatissement	Max 3.0mm
	Projection	
Customer Client	Date	
Drawn By Dessiné Par	BoxCad: BoxCad	Date 11/1/2022
Material Matière	14 Ga Stainless Steel 304 (1.7mm)	
Color Couleur	Unpainted	Finish Fini Brushed
Description	Detail Rev.	
1412BTSS 24" x 132" x 10" Body		
Part Number Numéro Pièce	Rev. 0	6 / 16
<b>1412BTSS111003DTB</b>		

Qty	Part Number	Rev	Description
1	1412BTSS111003DTB-P	0	1412BTSS 24" x 132" x 10" Left Body Part
1	1412BTSS111003DTE-P	0	1412BTSS 24" x 132" x 10" Right Body Part
1	STK-G-00701	0	1" x 1/4" Self-Adhesive Neoprene Gasket
10	STK-Q-00260	1	M6 x 13mm Carriage Bolt
10	STK-Q-07220	1	M6 Nylon Insert Lock Nut
12	STK-Q-16020	1	Stud M8 x 35mm Stainless Steel
2	STK-Q-16095	0	M6 x 16mm Stainless Steel Ground Stud
1	STK-S-00100	0	3.5" x 2" Silver Milar Flexcon Sticker
Parts List			

This drawing is confidential and must not be reproduced or used without the consent of Eurobex

Ce dessin est confidentiel et ne doit pas être reproduit ou utilisé sans le consentement de Eurobex

STANDARD FEATURES ARE NOT LISTED IN THIS HOLE TABLE			
HOLE TABLE - FRONT VIEW (CUSTOM FEATURE ONLY)			
CUT-OUT	XDIM	YDIM	DESCRIPTION
1	97.500	2.250	RND Ø0.201 THREAD 1/4-20 UNC
2	91.500	2.250	RND Ø0.201 THREAD 1/4-20 UNC
3	85.500	2.250	RND Ø0.201 THREAD 1/4-20 UNC
4	79.500	2.250	RND Ø0.201 THREAD 1/4-20 UNC
5	73.500	2.250	RND Ø0.201 THREAD 1/4-20 UNC
6	67.500	2.250	RND Ø0.201 THREAD 1/4-20 UNC
7	61.500	2.250	RND Ø0.201 THREAD 1/4-20 UNC
8	55.500	2.250	RND Ø0.201 THREAD 1/4-20 UNC
9	43.500	2.250	RND Ø0.201 THREAD 1/4-20 UNC
10	37.500	2.250	RND Ø0.201 THREAD 1/4-20 UNC
11	31.500	2.250	RND Ø0.201 THREAD 1/4-20 UNC
12	25.500	2.250	RND Ø0.201 THREAD 1/4-20 UNC
13	19.500	2.250	RND Ø0.201 THREAD 1/4-20 UNC
14	13.500	2.250	RND Ø0.201 THREAD 1/4-20 UNC
15	7.500	2.250	RND Ø0.201 THREAD 1/4-20 UNC
16	1.500	2.250	RND Ø0.201 THREAD 1/4-20 UNC

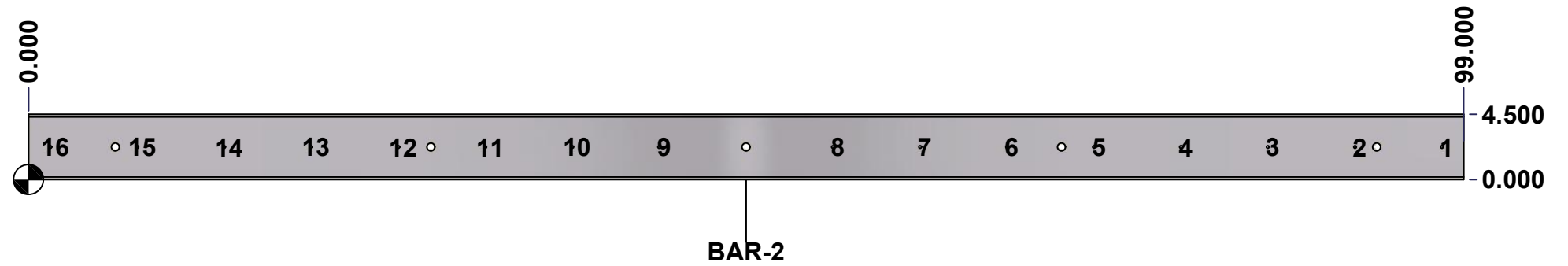


	Description	Status	
	Rounded Edge Aluminum Bar 3/8" x 4 1/2"	(NULL)	
	Part Number Numéro Pièce	Rev.	
	<b>1412BTSS111003DTBAR1-P</b>	<b>0</b>	7
			16

This drawing is confidential and must not be reproduced or used without the consent of Eurobex

Ce dessin est confidentiel et ne doit pas être reproduit ou utilisé sans le consentement de Eurobex

STANDARD FEATURES ARE NOT LISTED IN THIS HOLE TABLE			
HOLE TABLE - FRONT VIEW (CUSTOM FEATURE ONLY)			
CUT-OUT	XDIM	YDIM	DESCRIPTION
1	97.500	2.250	RND Ø0.201 THREAD 1/4-20 UNC
2	91.500	2.250	RND Ø0.201 THREAD 1/4-20 UNC
3	85.500	2.250	RND Ø0.201 THREAD 1/4-20 UNC
4	79.500	2.250	RND Ø0.201 THREAD 1/4-20 UNC
5	73.500	2.250	RND Ø0.201 THREAD 1/4-20 UNC
6	67.500	2.250	RND Ø0.201 THREAD 1/4-20 UNC
7	61.500	2.250	RND Ø0.201 THREAD 1/4-20 UNC
8	55.500	2.250	RND Ø0.201 THREAD 1/4-20 UNC
9	43.500	2.250	RND Ø0.201 THREAD 1/4-20 UNC
10	37.500	2.250	RND Ø0.201 THREAD 1/4-20 UNC
11	31.500	2.250	RND Ø0.201 THREAD 1/4-20 UNC
12	25.500	2.250	RND Ø0.201 THREAD 1/4-20 UNC
13	19.500	2.250	RND Ø0.201 THREAD 1/4-20 UNC
14	13.500	2.250	RND Ø0.201 THREAD 1/4-20 UNC
15	7.500	2.250	RND Ø0.201 THREAD 1/4-20 UNC
16	1.500	2.250	RND Ø0.201 THREAD 1/4-20 UNC



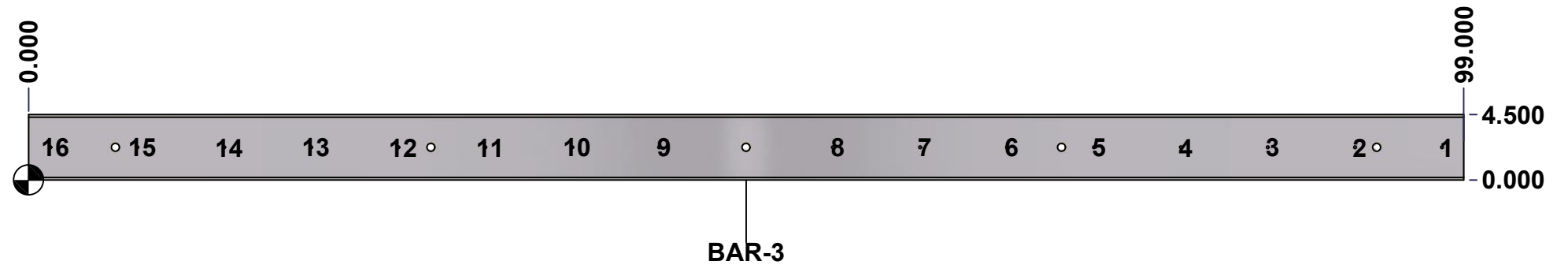
	Description	Status
	Rounded Edge Aluminum Bar 3/8" x 4 1/2"	(NULL)
	Part Number	Rev.
	Numéro Pièce	8
<b>1412BTSS111003DTBAR2-P 0</b>		16



This drawing is confidential and must not be reproduced or used without the consent of Eurobex

Ce dessin est confidentiel et ne doit pas être reproduit ou utilisé sans le consentement de Eurobex

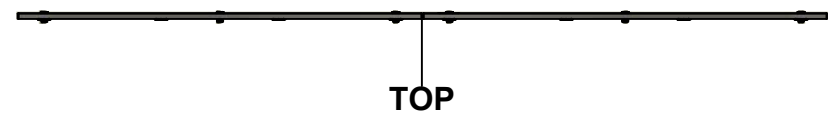
STANDARD FEATURES ARE NOT LISTED IN THIS HOLE TABLE			
HOLE TABLE - FRONT VIEW (CUSTOM FEATURE ONLY)			
CUT-OUT	XDIM	YDIM	DESCRIPTION
1	97.500	2.250	RND Ø0.201 THREAD 1/4-20 UNC
2	91.500	2.250	RND Ø0.201 THREAD 1/4-20 UNC
3	85.500	2.250	RND Ø0.201 THREAD 1/4-20 UNC
4	79.500	2.250	RND Ø0.201 THREAD 1/4-20 UNC
5	73.500	2.250	RND Ø0.201 THREAD 1/4-20 UNC
6	67.500	2.250	RND Ø0.201 THREAD 1/4-20 UNC
7	61.500	2.250	RND Ø0.201 THREAD 1/4-20 UNC
8	55.500	2.250	RND Ø0.201 THREAD 1/4-20 UNC
9	43.500	2.250	RND Ø0.201 THREAD 1/4-20 UNC
10	37.500	2.250	RND Ø0.201 THREAD 1/4-20 UNC
11	31.500	2.250	RND Ø0.201 THREAD 1/4-20 UNC
12	25.500	2.250	RND Ø0.201 THREAD 1/4-20 UNC
13	19.500	2.250	RND Ø0.201 THREAD 1/4-20 UNC
14	13.500	2.250	RND Ø0.201 THREAD 1/4-20 UNC
15	7.500	2.250	RND Ø0.201 THREAD 1/4-20 UNC
16	1.500	2.250	RND Ø0.201 THREAD 1/4-20 UNC



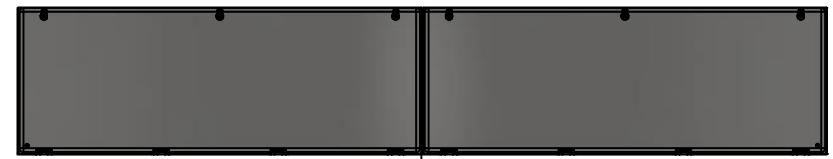
	Description	Status
	Rounded Edge Aluminum Bar 3/8" x 4 1/2"	(NULL)
	Part Number	Rev.
	Numéro Pièce	9
1412BTSS111003DTBAR3-P 0		16

This drawing is confidential and must not be reproduced or used without the consent of EXM

Ce dessin est confidentiel et ne doit pas être reproduit ou utilisé sans le consentement de EXM



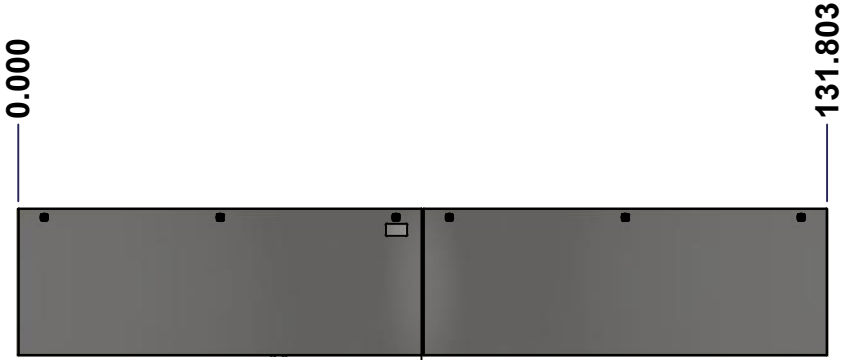
TOP



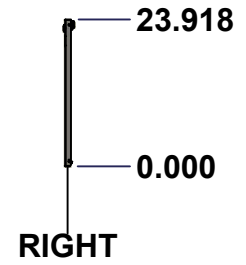
BACK



LEFT



FRONT



RIGHT



BOTTOM

No.	Revisions	Date	By/Par

**Isometric View**

Tél: (450) 979-4373 Fax: (450) 979-4626 <a href="http://www.exmweb.com">www.exmweb.com</a>		Flatness Aplatissement
		Max 3.0mm
Projection 		
Customer Client		Date
Drawn By Dessiné Par	BoxCad: BoxCad	Date 11/1/2022
Material Matière	14 Ga Stainless Steel 304 (1.7mm)	
Color Couleur	Unpainted	Finish Fini Brushed
Description 1412BTSS 24" x 132" Cover		Detail Rev.
Part Number Numéro Pièce	1412BTSS111003DTC	Rev. 10
SEE BILL OF MATERIAL ON LAST PAGE		0

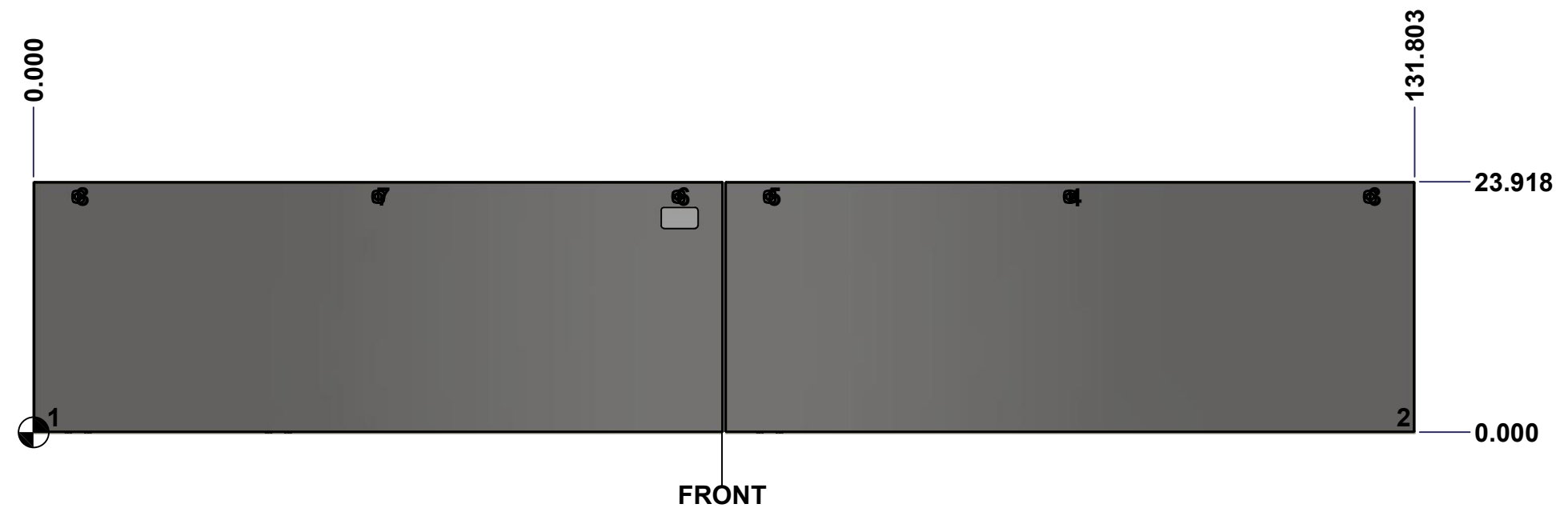
This drawing is confidential and must not be reproduced or used without the consent of Eurobox

Ce dessin est confidentiel et ne doit pas être reproduit ou utilisé sans le consentement de Eurobox

**STANDARD FEATURES ARE NOT LISTED IN THIS HOLE TABLE**

**HOLE TABLE - FRONT VIEW (CUSTOM FEATURE ONLY)**

CUT-OUT	XDIM	YDIM	DESCRIPTION
1	1.500	1.486	GND STUD M6 x 16mm (Inside)
2	130.303	1.486	GND STUD M6 x 16mm (Inside)
3	127.553	22.494	LOCK 880 SCQ4-SLSS6 @ 90.0°
4	98.902	22.494	LOCK 880 SCQ4-SLSS6 @ 90.0°
5	70.250	22.494	LOCK 880 SCQ4-SLSS6 @ 90.0°
6	61.553	22.494	LOCK 880 SCQ4-SLSS6 @ 90.0°
7	32.902	22.494	LOCK 880 SCQ4-SLSS6 @ 90.0°
8	4.250	22.494	LOCK 880 SCQ4-SLSS6 @ 90.0°

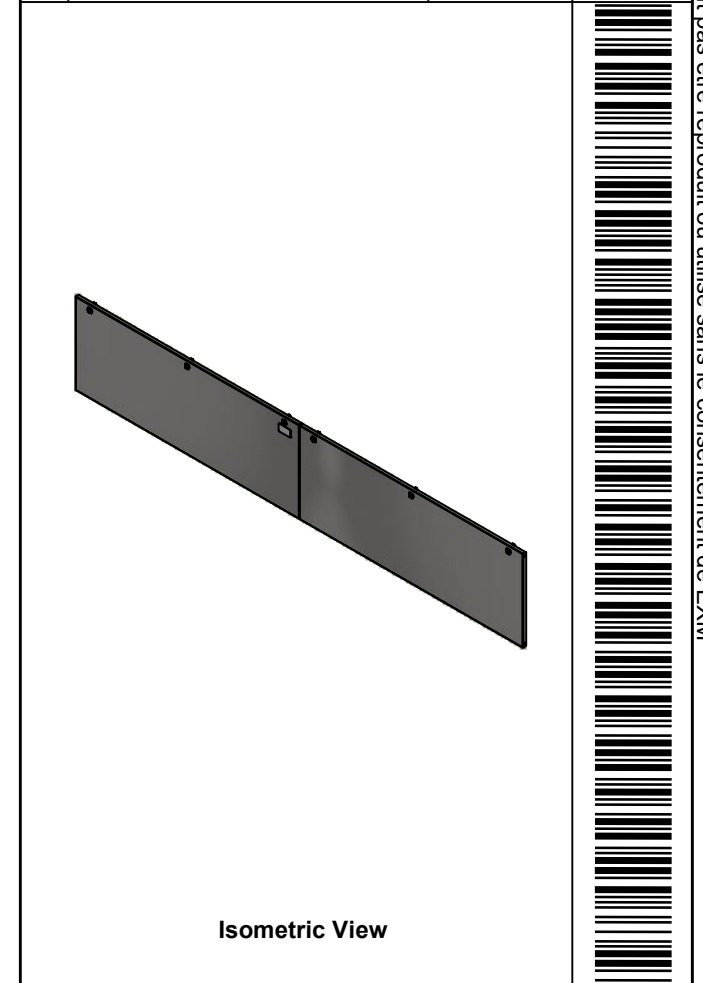


	Description	Status	
	1412BTSS 24" x 132" Cover	(NULL)	
	Part Number Numéro Pièce	Rev.	11
	<b>1412BTSS111003DTC</b>	<b>0</b>	16

This drawing is confidential and must not be reproduced or used without the consent of EXM

Ce dessin est confidentiel et ne doit pas être reproduit ou utilisé sans le consentement de EXM

No.	Revisions	Date	By/Par



**EXM**  
www.exmweb.com

Tél: (450) 979-4373  
Fax: (450) 979-4626

Flatness  
Aplatissement  
Max 3.0mm

Projection

Customer Client	Date
Drawn By / Dessiné Par: BoxCad: BoxCad	Date: 11/1/2022

Material / Matière: 14 Ga Stainless Steel 304 (1.7mm)

Color / Couleur: Unpainted	Finish / Fini: Brushed
----------------------------	------------------------

Description: 1412BTSS 24" x 132" Cover

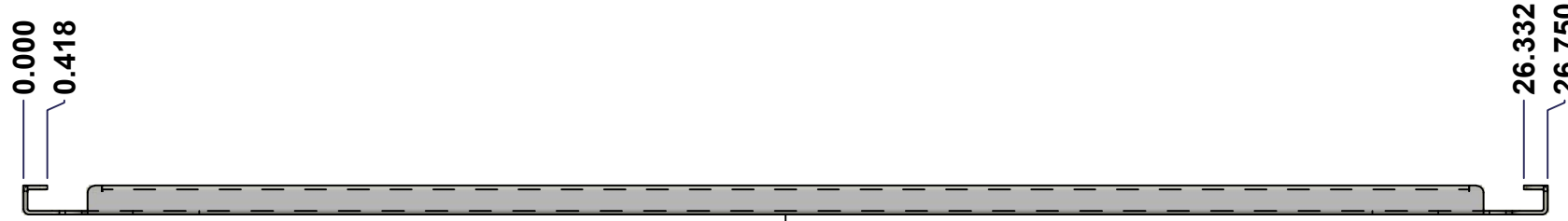
Detail Rev.

Part Number / Numéro Pièce: <b>1412BTSS111003DTC</b>	Rev. <b>0</b>	12 / 16
--	---------------	---------

Qty	Part Name	Rev	Description
2	1412BTSS111003DTG	0	1412BTSS 24" x 132" Cover Gasket
8	STK-K-09850	6	5412 ESS Hinge with 2 Captive Hinge Pins
2	STK-Q-16095	0	M6 x 16mm Stainless Steel Ground Stud
1	STK-S-00100	0	3.5" x 2" Silver Milar Flexcon Sticker
1	1412BTSS111003DTC-P	0	1412BTSS 24" x 66" Left Cover Part
1	1412BTSS111003DTF-P	0	1412BTSS 24" x 132" Right Cover Part
6	880 SCQ4-SLSS6	7	5412 ESS 1/4 Turn Lock
Parts List			

This drawing is confidential and must not be reproduced or used without the consent of EXM

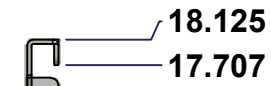
Ce dessin est confidentiel et ne doit pas être reproduit ou utilisé sans le consentement de EXM



TOP



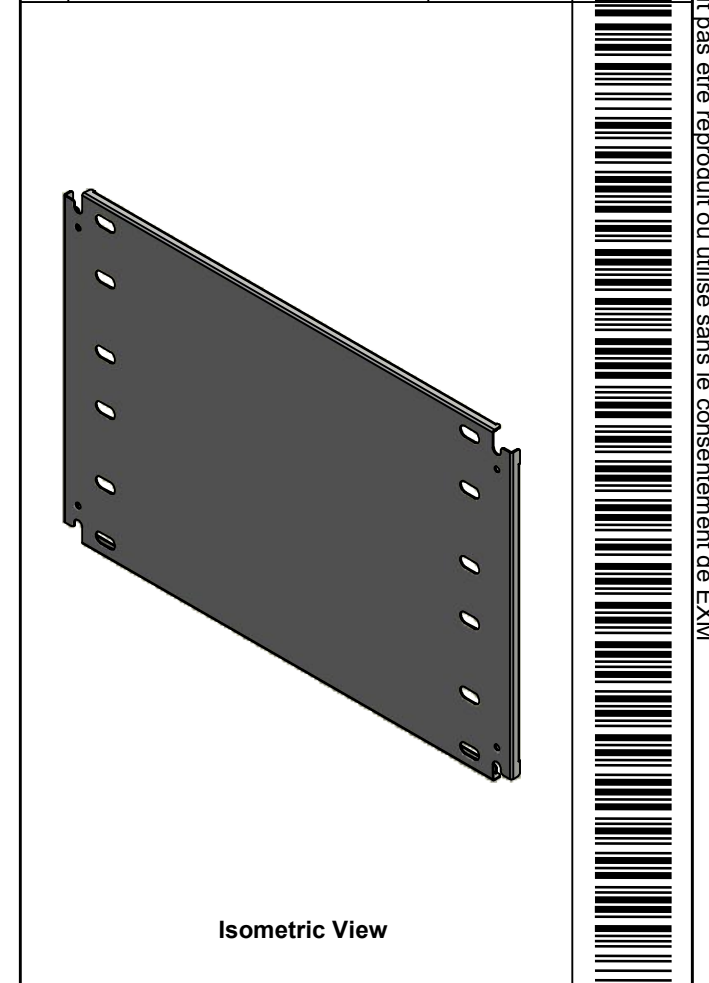
FRONT


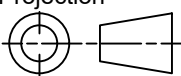


RIGHT



No.	Revisions	Date	By/Par



 Tél: (450) 979-4373 Fax: (450) 979-4626 <a href="http://www.exmweb.com">www.exmweb.com</a>		Flatness Aplatissement Max 3.0mm Projection 
Customer Client	Date	
Drawn By Dessiné Par	BoxCad: BoxCad	Date 11/1/2022
Material Matière	14 Ga Cold Rolled A1008 CS Type B (1.7mm)	
Color Couleur	White RAL9003	Finish Fini Smooth
Description 1412BTSS 18.125" x 26.75" Left Inner Panel		Detail Rev.
Part Number Numéro Pièce	Rev. 0	13 / 16

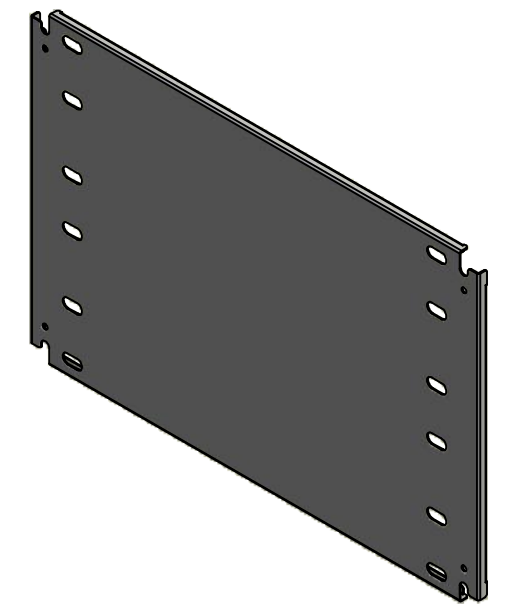
SEE BILL OF MATERIAL ON LAST PAGE

**1412BTSS111003DTIP1**

This drawing is confidential and must not be reproduced or used without the consent of EXM

Ce dessin est confidentiel et ne doit pas être reproduit ou utilisé sans le consentement de EXM

No.	Revisions	Date	By/Par



Isometric View



Tél: (450) 979-4373  
 Fax: (450) 979-4626  
[www.exmweb.com](http://www.exmweb.com)

Flatness  
Aplatissement  
Max 3.0mm  
Projection

Customer Client	Date
Drawn By / Dessiné Par: BoxCad: BoxCad	Date: 11/1/2022
Material / Matière: 14 Ga Cold Rolled A1008 CS Type B (1.7mm)	

Color / Couleur: White RAL9003	Finish / Fini: Smooth
--------------------------------	-----------------------

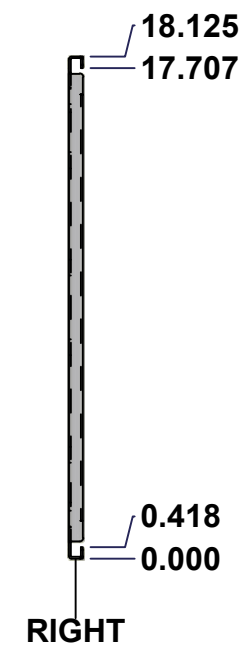
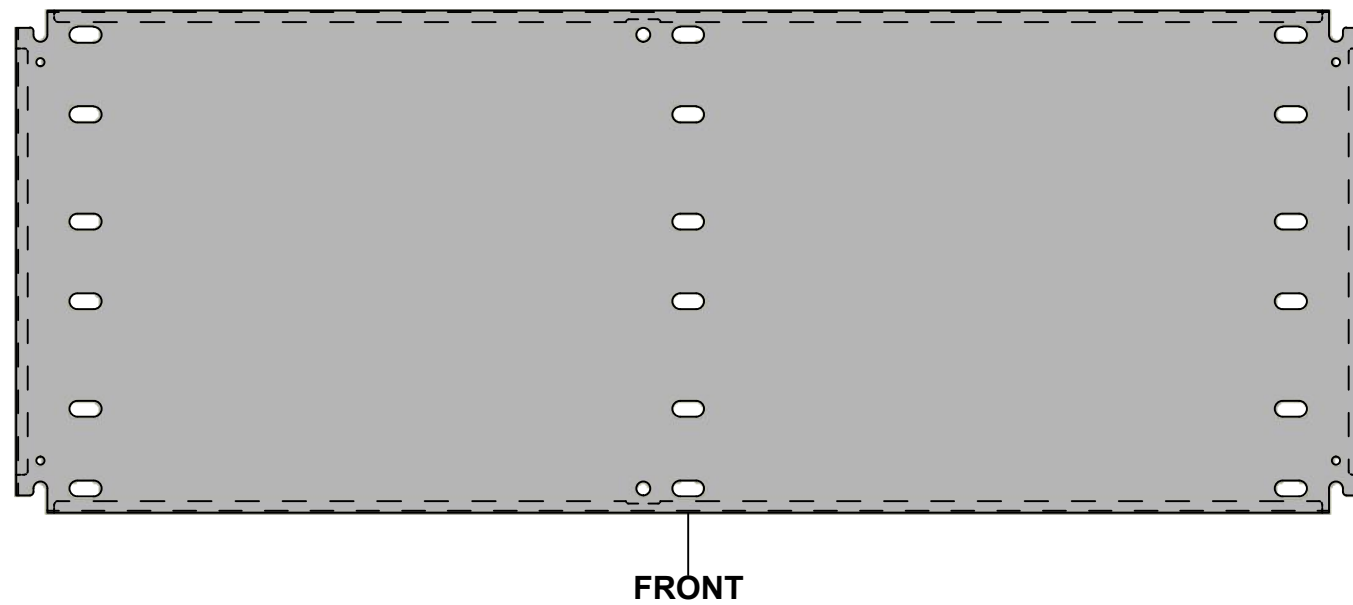
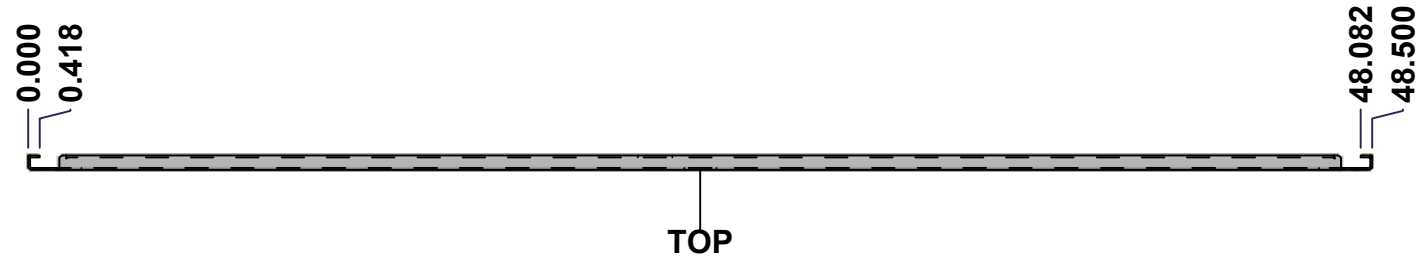
Description: 1412BTSS 18.125" x 26.75" Left Inner Panel	Detail Rev.
---	-------------

Qty	Part Number	Rev	Description
1	STK-P-02401S	0	Powder Paint (White / Smooth)
1	1412BTSS111003DTIP1-P	0	1412BTSS 18.125" x 132" Left Inner Panel Part
Parts List			

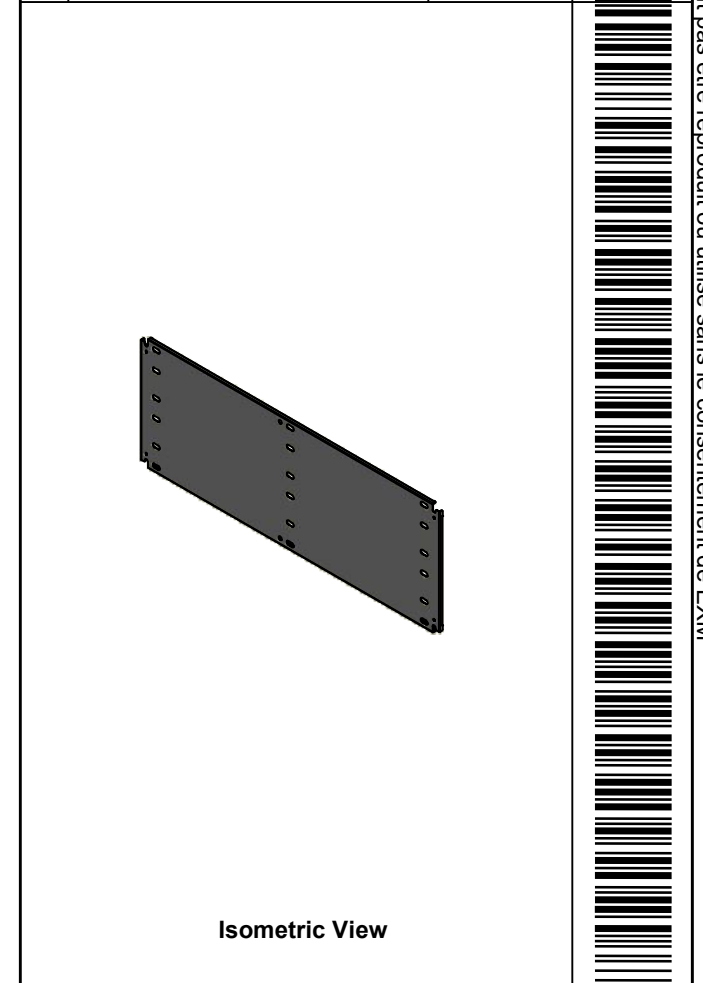
Part Number / Numéro Pièce: <b>1412BTSS111003DTIP1</b>	Rev. <b>0</b>	14 / 16
--	---------------	---------


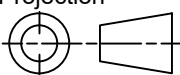
This drawing is confidential and must not be reproduced or used without the consent of EXM

Ce dessin est confidentiel et ne doit pas être reproduit ou utilisé sans le consentement de EXM



No.	Revisions	Date	By/Par



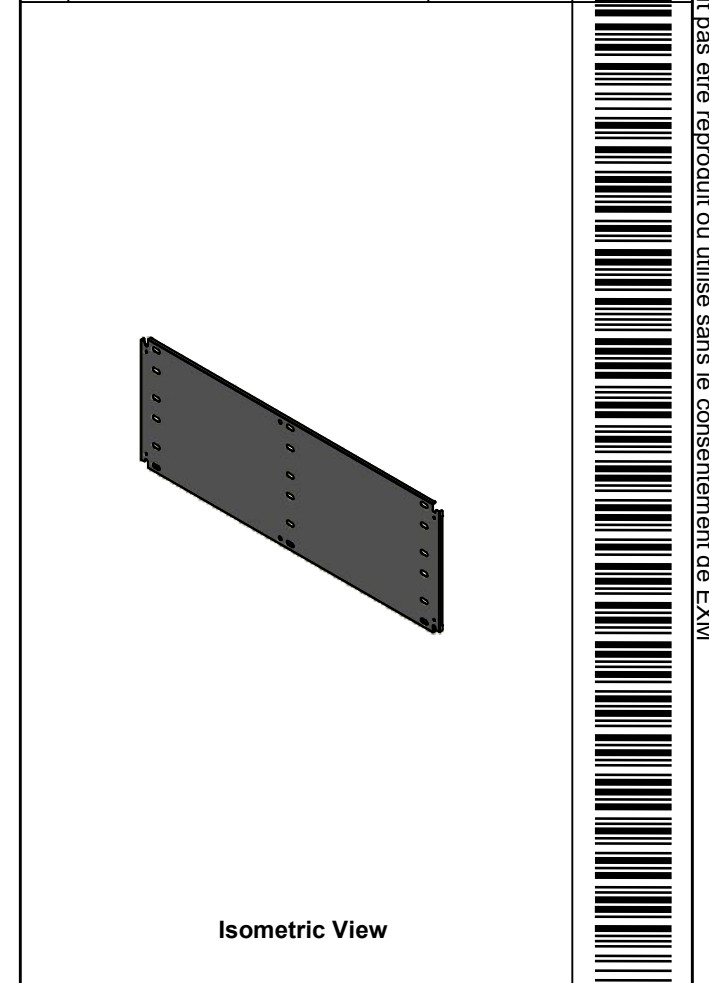
 Tél: (450) 979-4373 Fax: (450) 979-4626 <a href="http://www.exmweb.com">www.exmweb.com</a>		Flatness Aplatissement Max 3.0mm Projection 
Customer Client	Date	
Drawn By Dessiné Par	BoxCad: BoxCad	Date 11/1/2022
Material Matière	14 Ga Cold Rolled A1008 CS Type B (1.7mm)	
Color Couleur	White RAL9003	Finish Fini Smooth
Description	Detail Rev.	
1412BTSS 18.125" x 48.5" Right Inner Panel		
Part Number Numéro Pièce	Rev. 0	15 16
<b>1412BTSS111003DTIP2</b>		


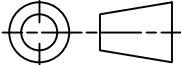
SEE BILL OF MATERIAL ON LAST PAGE

This drawing is confidential and must not be reproduced or used without the consent of EXM

Ce dessin est confidentiel et ne doit pas être reproduit ou utilisé sans le consentement de EXM

No.	Revisions	Date	By/Par



 Tél: (450) 979-4373 Fax: (450) 979-4626 <a href="http://www.exmweb.com">www.exmweb.com</a>		Flatness Aplatissement Max 3.0mm Projection 
Customer Client	Date	
Drawn By Dessiné Par	BoxCad: BoxCad	Date 11/1/2022
Material Matière	14 Ga Cold Rolled A1008 CS Type B (1.7mm)	
Color Couleur	White RAL9003	Finish Fini Smooth
Description 1412BTSS 18.125" x 48.5" Right Inner Panel		Detail Rev.
Part Number Numéro Pièce	<b>1412BTSS111003DTIP2</b>	Rev. 16 <b>0</b>

Qty	Part Number	Rev	Description
1	STK-P-02401S	0	Powder Paint (White / Smooth)
1	1412BTSS111003DTIP2-P	0	1412BTSS 18.125" x 132" Right Inner Panel Part
Parts List			