

This drawing is confidential and must not be reproduced or used without the consent of EXM

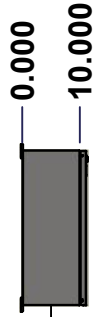
Ce dessin est confidentiel et ne doit pas être reproduit ou utilisé sans le consentement de EXM



TOP



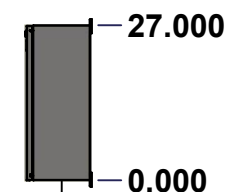
LEFT



LEFT



FRONT

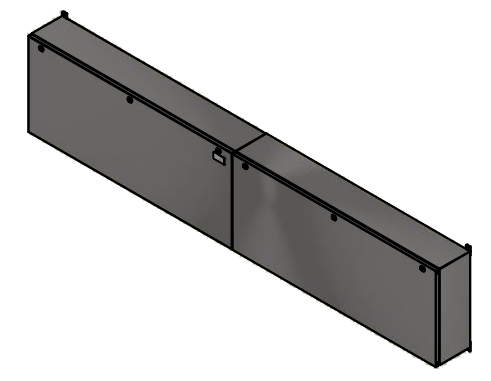


RIGHT



BOTTOM

No.	Revisions	Date	By/Par



Isometric View



Tél: (450) 979-4373
 Fax: (450) 979-4626
www.exmweb.com

Flatness
Aplatissement
Max 3.0mm
Projection

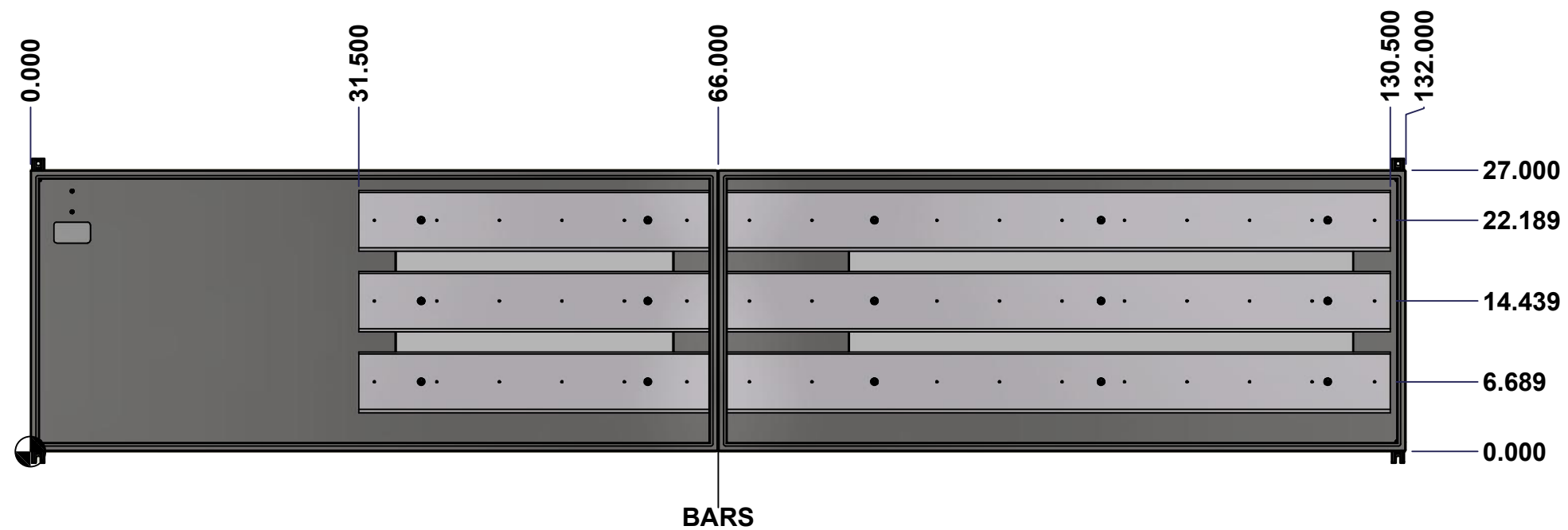
Customer Client	Date
Drawn By Dessiné Par BoxCad: BoxCad	Date 2022-11-01
Material Matière 14 Ga Stainless Steel 304 (1.7mm)	
Color Couleur Unpainted	Finish Fini Brushed
Description 1412BTSS 1600A - 3Wires x 132" Assembly	Detail Rev.
Part Number Numéro Pièce 1412BTSS111603DT	Rev. 0

SEE BILL OF MATERIAL ON LAST PAGE

This drawing is confidential and must not be reproduced or used without the consent of Eurobox

Ce dessin est confidentiel et ne doit pas être reproduit ou utilisé sans le consentement de Eurobox

STANDARD FEATURES ARE NOT LISTED IN THIS HOLE TABLE



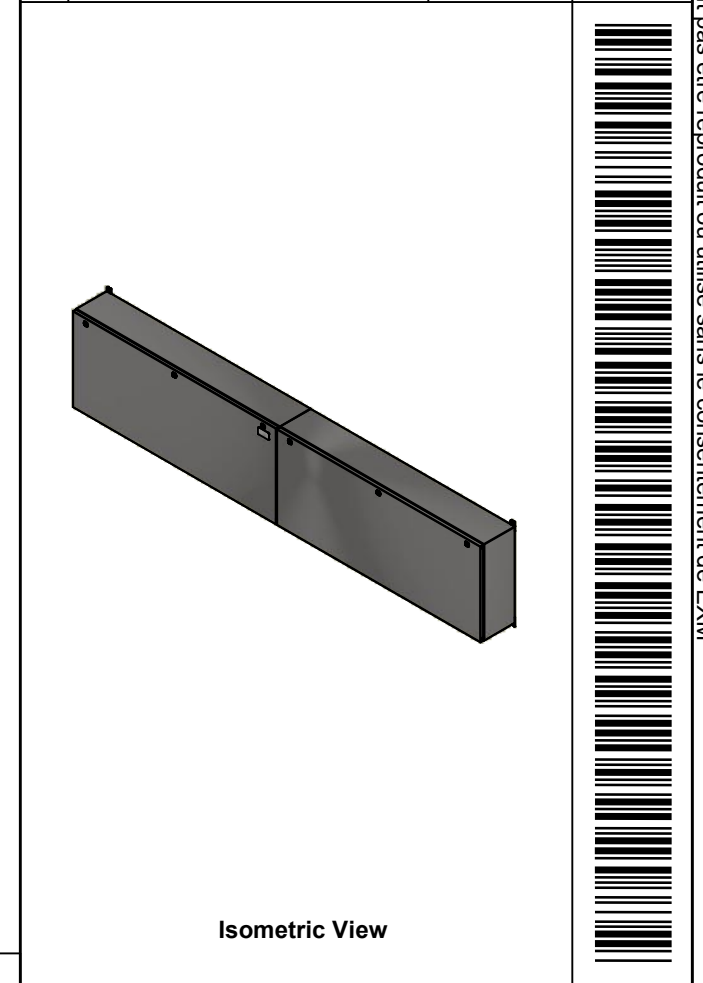
	Description 1412BTSS 1600A - 3Wires x 132" Assembly		Status (NULL)
	Part Number Numéro Pièce 1412BTSS111603DT		Rev. 2 0

This drawing is confidential and must not be reproduced or used without the consent of EXM

Ce dessin est confidentiel et ne doit pas être reproduit ou utilisé sans le consentement de EXM

NOTE	
ITEM	DESCRIPTION
1	NEMA 4X Enclosure
2	C/W Standard ground studs on box and cover
3	W/O Standard door stiffener
4	C/W Special inner panel (Sold separately)
5	C/W Standard inner panel mounting studs

No.	Revisions	Date	By/Par



PACKING		
ITEM	QTY	DESCRIPTION
Cardboard sleeve	2	Top and Bottom
Cardboard strip	2	Between back of enclosure and inner panel
Plastic bag	1	To protect cover surface and inside gasket
Cardboard corner	4	To reinforced for the plastic strap tightening
Plastic strap - Black	2	To Squeeze 2 cardboard sleeve together
Packaging label	3	White label with PN
Plastic strap- Green	2	To secure the enclosure to the wood pallet
Wood Pallet	1	2" deeper and 3" larger than enclosure size

8	STK-Q-04051-07	8	M6 x 7mm Stainless Steel Hexagon Socket Head Machine Screw with Nyseal
1	885 ESMF2	0	885 ESMF2 Stainless Steel Mounting Feet Kit
1	1412BTSS111603DTIP2	0	1412BTSS 20.125" x 48.5" Right Inner Panel
1	1412BTSS111603DTBAR 1-P	0	Rounded Edge Aluminum Bar 1/2" x 6"
1	1412BTSS111603DTBAR 2-P	0	Rounded Edge Aluminum Bar 1/2" x 6"
1	1412BTSS111603DTBAR 3-P	0	Rounded Edge Aluminum Bar 1/2" x 6"
1	1412BTSS111603DTIP1	0	1412BTSS 20.125" x 26.75" Left Inner Panel
15	STK-A-67400	0	Buss Bar Insulator Kit
1	STK-K-01800	5	5412 ES Accessory Kit
25	STK-Q-07310	2	Flange Lock Nut M8
10	STK-Q-07610	8	M8 Plastic Spacer 22.2mm
1	1412BTSS111603DTB	0	1412BTSS 27" x 132" x 10" Body
1	1412BTSS111603DTC	0	1412BTSS 27" x 132" Cover
Qty	Part Number	Rev	Description
Parts List			

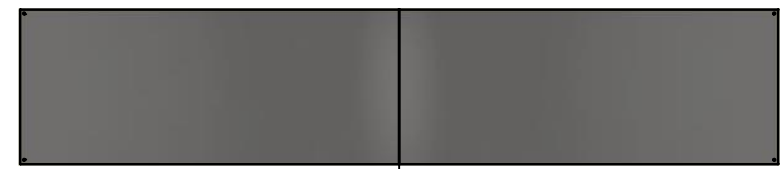
	Tél: (450) 979-4373 Fax: (450) 979-4626 www.exmweb.com	Flatness Aplatissement Max 3.0mm
	Projection 	Customer Client
Drawn By Dessiné Par BoxCad: BoxCad	Date 2022-11-01	Material Matière 14 Ga Stainless Steel 304 (1.7mm)
Color Couleur Unpainted	Finish Fini Brushed	Description 1412BTSS 1600A - 3Wires x 132" Assembly
Part Number Numéro Pièce 1412BTSS111603DT	Rev. 0	Detail Rev. 3 16

This drawing is confidential and must not be reproduced or used without the consent of EXM

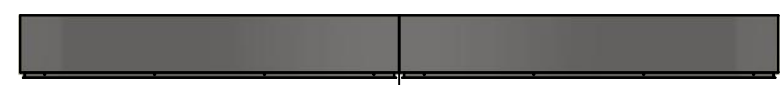
Ce dessin est confidentiel et ne doit pas être reproduit ou utilisé sans le consentement de EXM



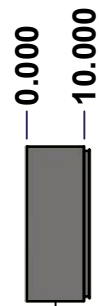
TOP



BACK



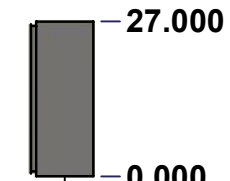
BOTTOM



LEFT

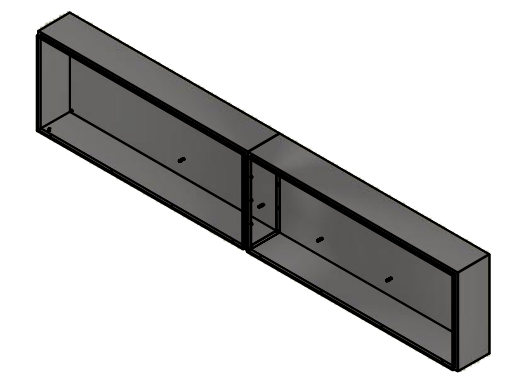


FRONT

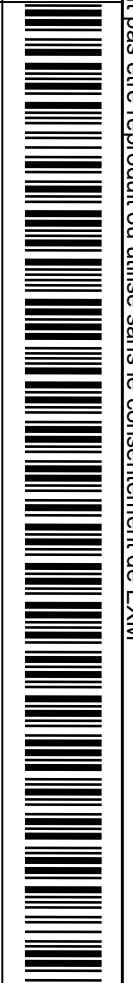


RIGHT

No.	Revisions	Date	By/Par



Isometric View



Tél: (450) 979-4373
 Fax: (450) 979-4626
www.exmweb.com

Flatness
Aplatissement
Max 3.0mm
Projection

Customer Client	Date
Drawn By Dessiné Par BoxCad: BoxCad	Date 2022-11-01
Material Matière 14 Ga Stainless Steel 304 (1.7mm)	
Color Couleur Unpainted	Finish Fini Brushed
Description 1412BTSS 27" x 132" x 10" Body	Detail Rev.
Part Number Numéro Pièce 1412BTSS111603DTB	Rev. 0

SEE BILL OF MATERIAL ON LAST PAGE

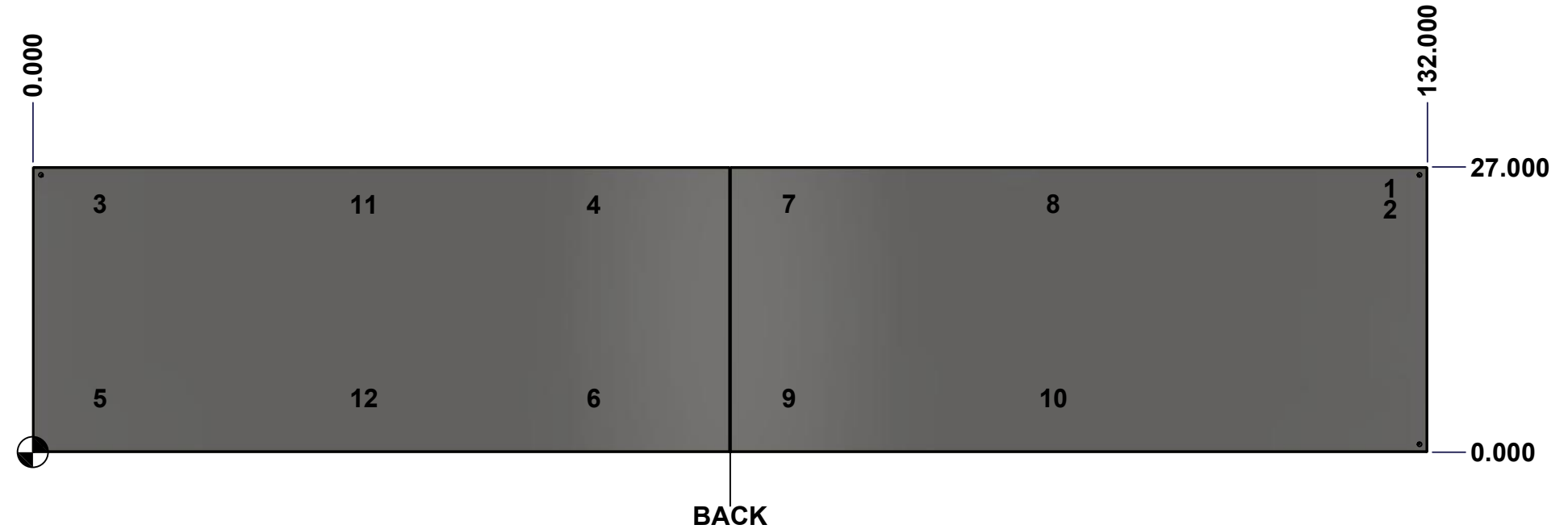
This drawing is confidential and must not be reproduced or used without the consent of Eurobox

Ce dessin est confidentiel et ne doit pas être reproduit ou utilisé sans le consentement de Eurobox

STANDARD FEATURES ARE NOT LISTED IN THIS HOLE TABLE

HOLE TABLE - BACK VIEW (CUSTOM FEATURE ONLY)

CUT-OUT	XDIM	YDIM	DESCRIPTION
1	128.000	25.000	GND STUD M8 x 35mm (Inside)
2	128.000	23.000	GND STUD M8 x 35mm (Inside)
3	5.875	23.500	IP STUD M8 x 35mm (Inside)
4	52.625	23.500	IP STUD M8 x 35mm (Inside)
5	5.875	5.125	IP STUD M8 x 35mm (Inside)
6	52.625	5.125	IP STUD M8 x 35mm (Inside)
7	71.125	23.500	IP STUD M8 x 35mm (Inside)
8	96.125	23.500	IP STUD M8 x 35mm (Inside)
9	71.125	5.125	IP STUD M8 x 35mm (Inside)
10	96.125	5.125	IP STUD M8 x 35mm (Inside)
11	30.875	23.500	IP STUD M8 x 35mm (Inside)
12	30.875	5.125	IP STUD M8 x 35mm (Inside)

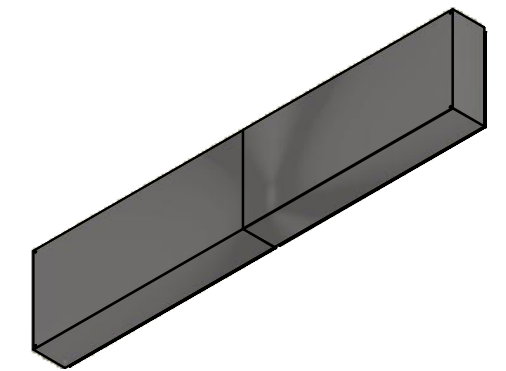


	Description	Status
	1412BTSS 27" x 132" x 10" Body	(NULL)
	Part Number Numéro Pièce	Rev.
	1412BTSS111603DTB	0 / 5
		16

This drawing is confidential and must not be reproduced or used without the consent of EXM


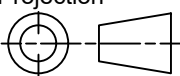
Ce dessin est confidentiel et ne doit pas être reproduit ou utilisé sans le consentement de EXM

No.	Revisions	Date	By/Par



Isometric View



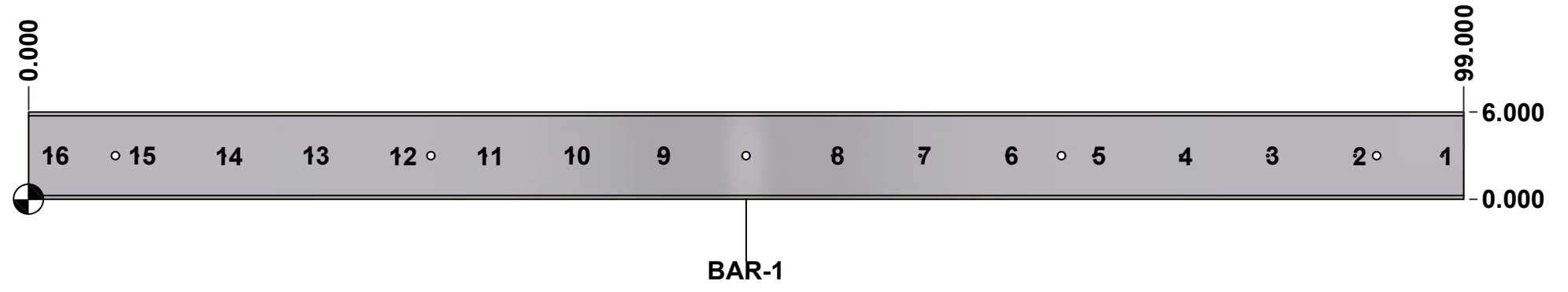
 Tél: (450) 979-4373 Fax: (450) 979-4626 www.exmweb.com	Flatness Aplatissement	Max 3.0mm
	Projection	
Customer Client	Date	
Drawn By Dessiné Par	BoxCad: BoxCad	Date 2022-11-01
Material Matière	14 Ga Stainless Steel 304 (1.7mm)	
Color Couleur	Unpainted	Finish Fini Brushed
Description	Detail Rev.	
1412BTSS 27" x 132" x 10" Body		
Part Number Numéro Pièce	Rev.	6
1412BTSS111603DTB	0	16

Qty	Part Number	Rev	Description
1	1412BTSS111603DTB-P	0	1412BTSS 27" x 132" x 10" Left Body Part
1	1412BTSS111603DTE-P	0	1412BTSS 27" x 132" x 10" Right Body Part
1	STK-G-00701	0	1" x 1/4" Self-Adhesive Neoprene Gasket
10	STK-Q-00260	1	M6 x 13mm Carriage Bolt
10	STK-Q-07220	1	M6 Nylon Insert Lock Nut
12	STK-Q-16020	1	Stud M8 x 35mm Stainless Steel
2	STK-Q-16095	0	M6 x 16mm Stainless Steel Ground Stud
1	STK-S-00100	0	3.5" x 2" Silver Milar Flexcon Sticker
Parts List			

This drawing is confidential and must not be reproduced or used without the consent of Eurobex

Ce dessin est confidentiel et ne doit pas être reproduit ou utilisé sans le consentement de Eurobex

STANDARD FEATURES ARE NOT LISTED IN THIS HOLE TABLE			
HOLE TABLE - FRONT VIEW (CUSTOM FEATURE ONLY)			
CUT-OUT	XDIM	YDIM	DESCRIPTION
1	97.500	3.000	RND Ø0.201 THREAD 1/4-20 UNC
2	91.500	3.000	RND Ø0.201 THREAD 1/4-20 UNC
3	85.500	3.000	RND Ø0.201 THREAD 1/4-20 UNC
4	79.500	3.000	RND Ø0.201 THREAD 1/4-20 UNC
5	73.500	3.000	RND Ø0.201 THREAD 1/4-20 UNC
6	67.500	3.000	RND Ø0.201 THREAD 1/4-20 UNC
7	61.500	3.000	RND Ø0.201 THREAD 1/4-20 UNC
8	55.500	3.000	RND Ø0.201 THREAD 1/4-20 UNC
9	43.500	3.000	RND Ø0.201 THREAD 1/4-20 UNC
10	37.500	3.000	RND Ø0.201 THREAD 1/4-20 UNC
11	31.500	3.000	RND Ø0.201 THREAD 1/4-20 UNC
12	25.500	3.000	RND Ø0.201 THREAD 1/4-20 UNC
13	19.500	3.000	RND Ø0.201 THREAD 1/4-20 UNC
14	13.500	3.000	RND Ø0.201 THREAD 1/4-20 UNC
15	7.500	3.000	RND Ø0.201 THREAD 1/4-20 UNC
16	1.500	3.000	RND Ø0.201 THREAD 1/4-20 UNC

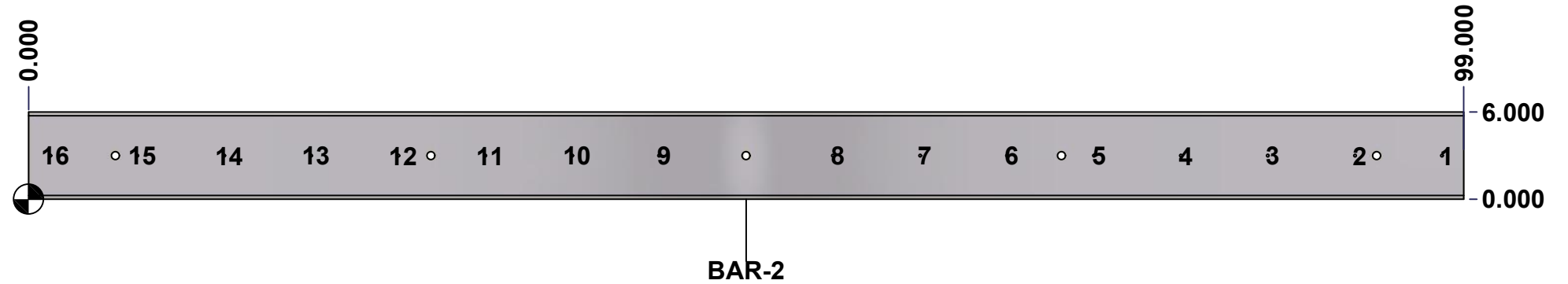


	Description	Status
	Rounded Edge Aluminum Bar 1/2" x 6"	(NULL)
	Part Number Numéro Pièce	Rev.
	1412BTSS111603DTBAR1-P	7
		0
		16

This drawing is confidential and must not be reproduced or used without the consent of Eurobex

Ce dessin est confidentiel et ne doit pas être reproduit ou utilisé sans le consentement de Eurobex

STANDARD FEATURES ARE NOT LISTED IN THIS HOLE TABLE			
HOLE TABLE - FRONT VIEW (CUSTOM FEATURE ONLY)			
CUT-OUT	XDIM	YDIM	DESCRIPTION
1	97.500	3.000	RND Ø0.201 THREAD 1/4-20 UNC
2	91.500	3.000	RND Ø0.201 THREAD 1/4-20 UNC
3	85.500	3.000	RND Ø0.201 THREAD 1/4-20 UNC
4	79.500	3.000	RND Ø0.201 THREAD 1/4-20 UNC
5	73.500	3.000	RND Ø0.201 THREAD 1/4-20 UNC
6	67.500	3.000	RND Ø0.201 THREAD 1/4-20 UNC
7	61.500	3.000	RND Ø0.201 THREAD 1/4-20 UNC
8	55.500	3.000	RND Ø0.201 THREAD 1/4-20 UNC
9	43.500	3.000	RND Ø0.201 THREAD 1/4-20 UNC
10	37.500	3.000	RND Ø0.201 THREAD 1/4-20 UNC
11	31.500	3.000	RND Ø0.201 THREAD 1/4-20 UNC
12	25.500	3.000	RND Ø0.201 THREAD 1/4-20 UNC
13	19.500	3.000	RND Ø0.201 THREAD 1/4-20 UNC
14	13.500	3.000	RND Ø0.201 THREAD 1/4-20 UNC
15	7.500	3.000	RND Ø0.201 THREAD 1/4-20 UNC
16	1.500	3.000	RND Ø0.201 THREAD 1/4-20 UNC

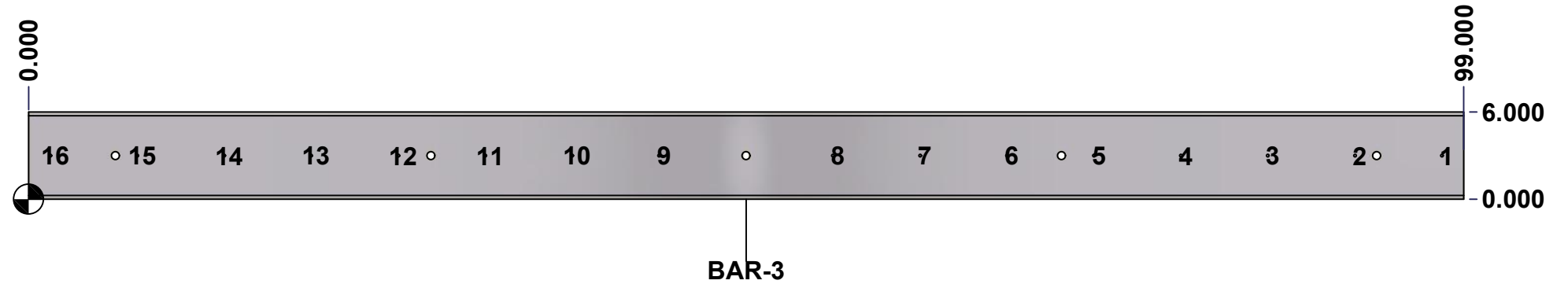


	Description	Status
	Rounded Edge Aluminum Bar 1/2" x 6"	(NULL)
	Part Number Numéro Pièce	Rev.
	1412BTSS111603DTBAR2-P	8
		0
		16

This drawing is confidential and must not be reproduced or used without the consent of Eurobex

Ce dessin est confidentiel et ne doit pas être reproduit ou utilisé sans le consentement de Eurobex

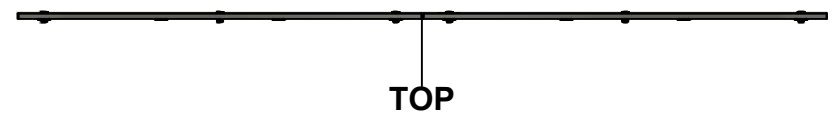
STANDARD FEATURES ARE NOT LISTED IN THIS HOLE TABLE			
HOLE TABLE - FRONT VIEW (CUSTOM FEATURE ONLY)			
CUT-OUT	XDIM	YDIM	DESCRIPTION
1	97.500	3.000	RND Ø0.201 THREAD 1/4-20 UNC
2	91.500	3.000	RND Ø0.201 THREAD 1/4-20 UNC
3	85.500	3.000	RND Ø0.201 THREAD 1/4-20 UNC
4	79.500	3.000	RND Ø0.201 THREAD 1/4-20 UNC
5	73.500	3.000	RND Ø0.201 THREAD 1/4-20 UNC
6	67.500	3.000	RND Ø0.201 THREAD 1/4-20 UNC
7	61.500	3.000	RND Ø0.201 THREAD 1/4-20 UNC
8	55.500	3.000	RND Ø0.201 THREAD 1/4-20 UNC
9	43.500	3.000	RND Ø0.201 THREAD 1/4-20 UNC
10	37.500	3.000	RND Ø0.201 THREAD 1/4-20 UNC
11	31.500	3.000	RND Ø0.201 THREAD 1/4-20 UNC
12	25.500	3.000	RND Ø0.201 THREAD 1/4-20 UNC
13	19.500	3.000	RND Ø0.201 THREAD 1/4-20 UNC
14	13.500	3.000	RND Ø0.201 THREAD 1/4-20 UNC
15	7.500	3.000	RND Ø0.201 THREAD 1/4-20 UNC
16	1.500	3.000	RND Ø0.201 THREAD 1/4-20 UNC



	Description	Status
	Rounded Edge Aluminum Bar 1/2" x 6"	(NULL)
	Part Number Numéro Pièce	Rev.
	1412BTSS111603DTBAR3-P	9
	0	16

This drawing is confidential and must not be reproduced or used without the consent of EXM

Ce dessin est confidentiel et ne doit pas être reproduit ou utilisé sans le consentement de EXM



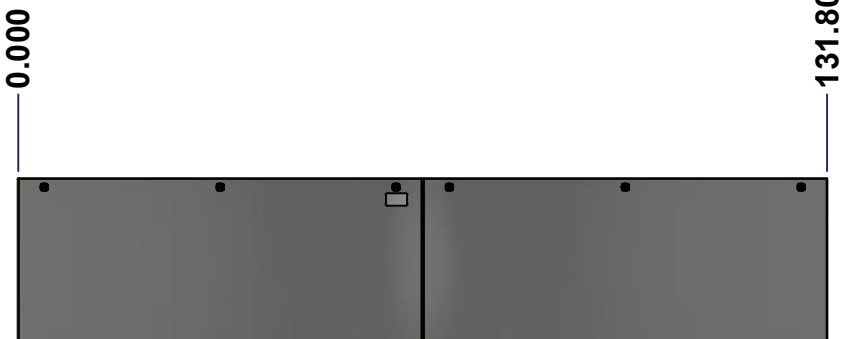
TOP



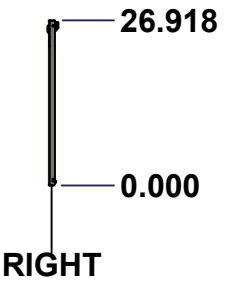
BACK



LEFT



FRONT

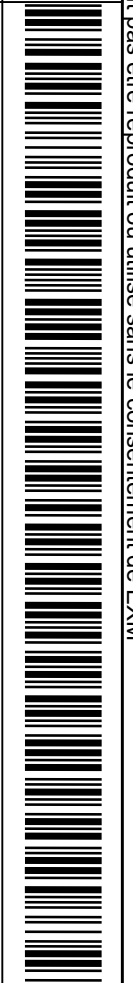
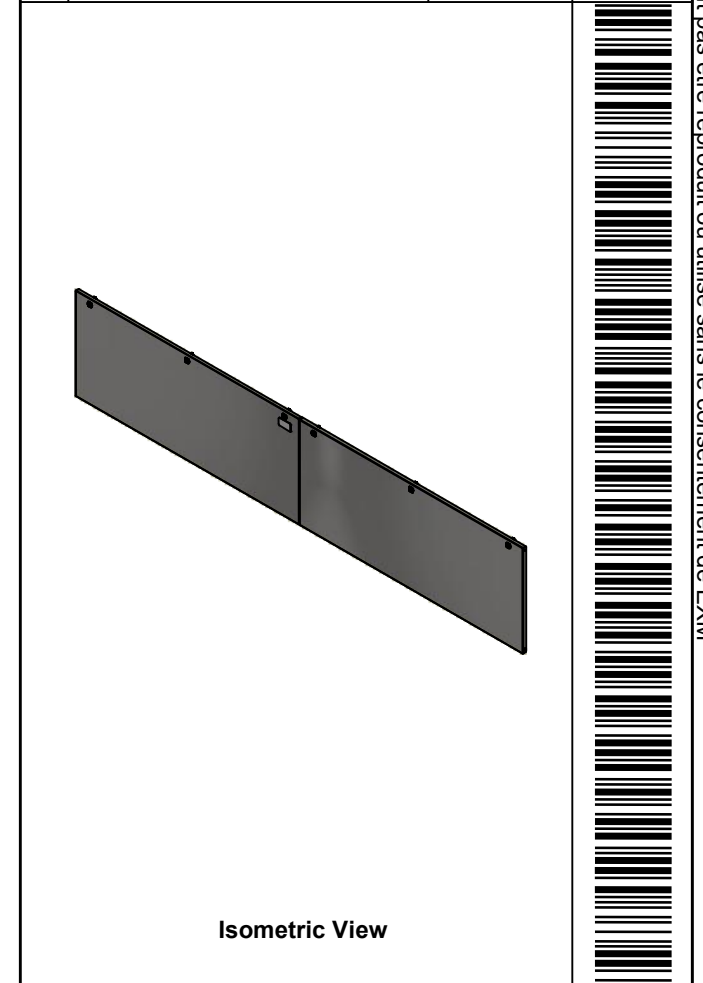



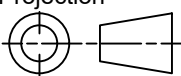
RIGHT



BOTTOM

No.	Revisions	Date	By/Par



 Tél: (450) 979-4373 Fax: (450) 979-4626 www.exmweb.com	Flatness Aplatissement Max 3.0mm
	Projection 
Customer Client	Date
Drawn By Dessiné Par BoxCad: BoxCad	Date 2022-11-01
Material Matière 14 Ga Stainless Steel 304 (1.7mm)	
Color Couleur Unpainted	Finish Fini Brushed
Description 1412BTSS 27" x 132" Cover	
Part Number Numéro Pièce 1412BTSS111603DTC	Detail Rev. Rev. 10 0

SEE BILL OF MATERIAL ON LAST PAGE

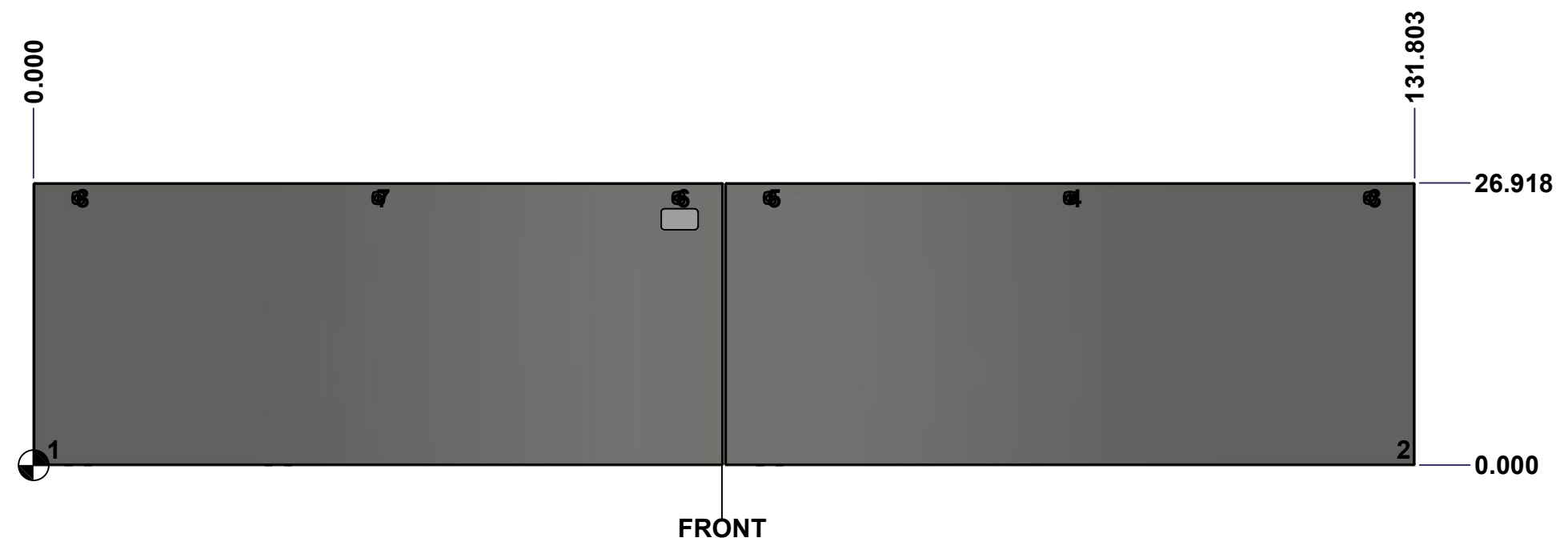
This drawing is confidential and must not be reproduced or used without the consent of Eurobox

Ce dessin est confidentiel et ne doit pas être reproduit ou utilisé sans le consentement de Eurobox

STANDARD FEATURES ARE NOT LISTED IN THIS HOLE TABLE

HOLE TABLE - FRONT VIEW (CUSTOM FEATURE ONLY)

CUT-OUT	XDIM	YDIM	DESCRIPTION
1	1.500	1.486	GND STUD M6 x 16mm (Inside)
2	130.303	1.486	GND STUD M6 x 16mm (Inside)
3	127.553	25.494	LOCK 880 SCQ4-SLSS6 @ 90.0°
4	98.902	25.494	LOCK 880 SCQ4-SLSS6 @ 90.0°
5	70.250	25.494	LOCK 880 SCQ4-SLSS6 @ 90.0°
6	61.553	25.494	LOCK 880 SCQ4-SLSS6 @ 90.0°
7	32.902	25.494	LOCK 880 SCQ4-SLSS6 @ 90.0°
8	4.250	25.494	LOCK 880 SCQ4-SLSS6 @ 90.0°

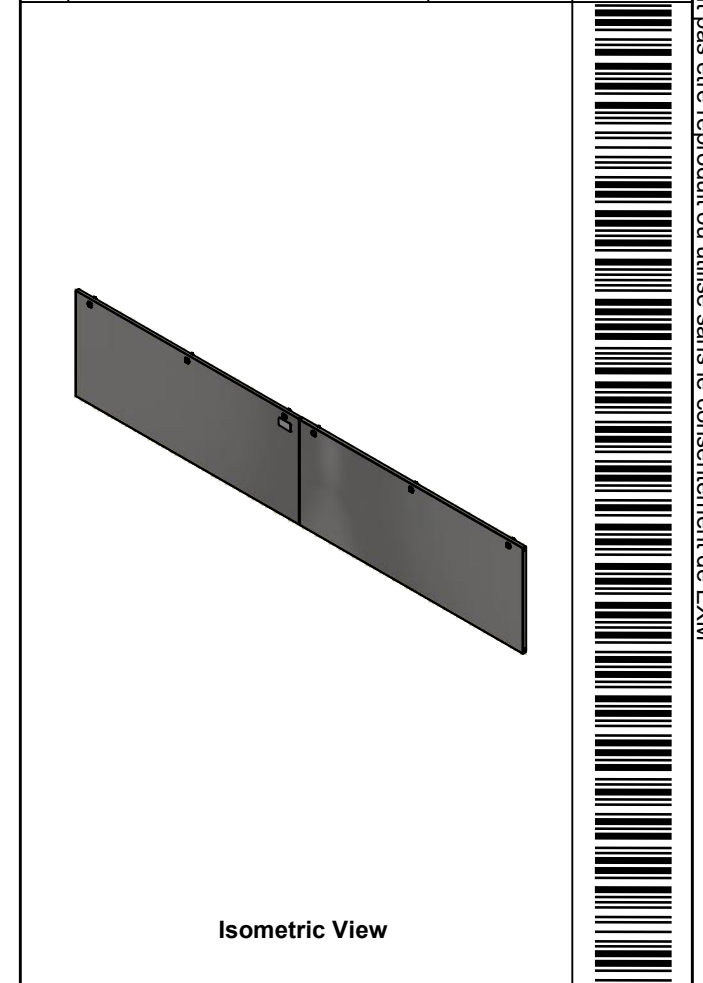



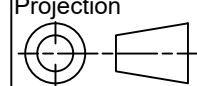
	Description	Status	
	1412BTSS 27" x 132" Cover	(NULL)	
	Part Number Numéro Pièce	Rev.	11
	1412BTSS111603DTC	0	16

This drawing is confidential and must not be reproduced or used without the consent of EXM

Ce dessin est confidentiel et ne doit pas être reproduit ou utilisé sans le consentement de EXM

No.	Revisions	Date	By/Par

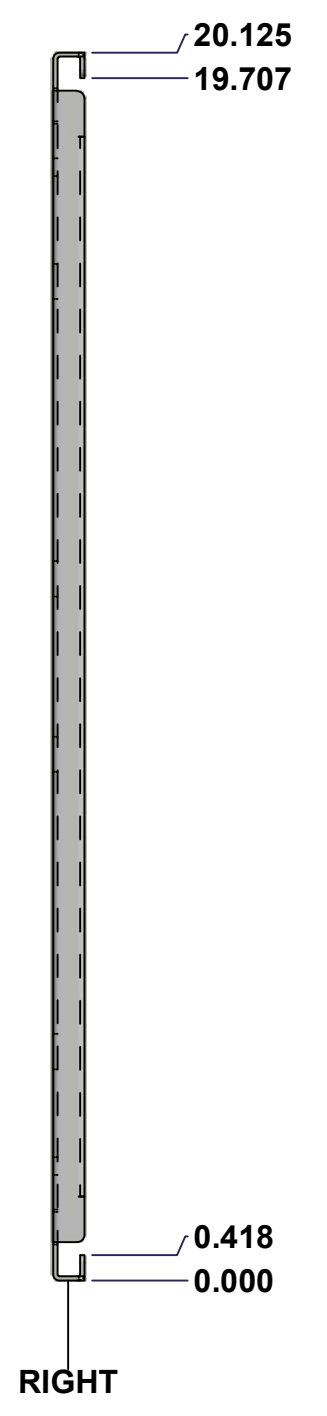
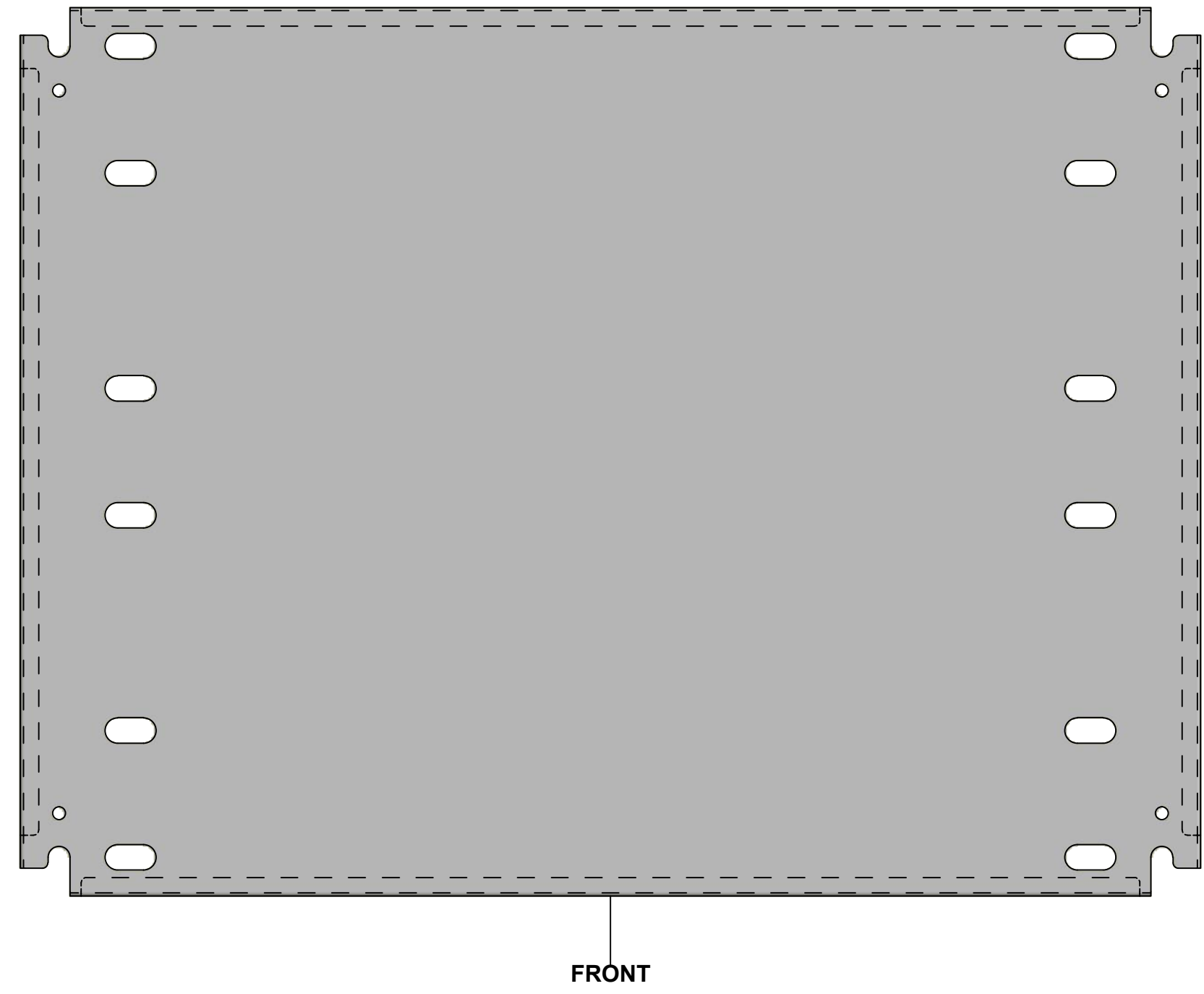
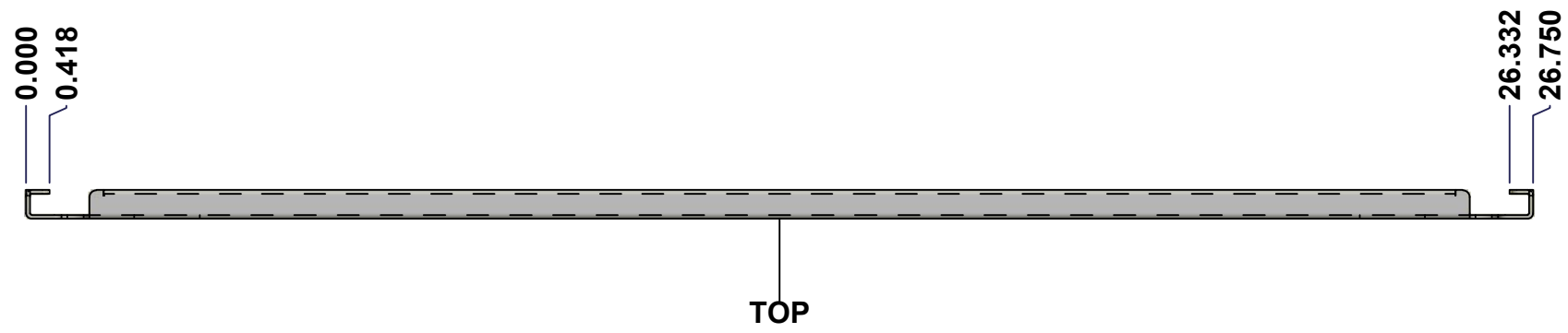


 Tél: (450) 979-4373 Fax: (450) 979-4626 www.exmweb.com		Flatness Aplatissement Max 3.0mm Projection 
Customer Client	Date	
Drawn By / Dessiné Par: BoxCad: BoxCad	Date: 2022-11-01	
Material / Matière: 14 Ga Stainless Steel 304 (1.7mm)	Color / Couleur: Unpainted	
Description: 1412BTSS 27" x 132" Cover		Finish / Fini: Brushed
Part Number / Numéro Pièce: 1412BTSS111603DTC	Rev.:	12 / 16

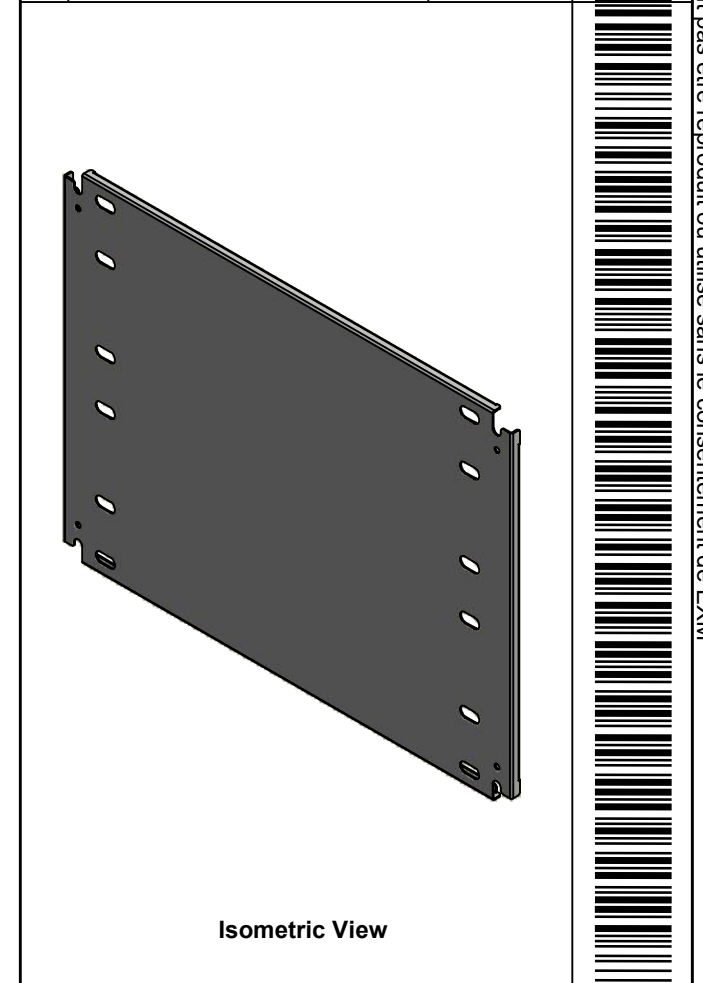
Qty	Part Name	Rev	Description
2	1412BTSS111603DTG	0	1412BTSS 27" x 132" Cover Gasket
8	STK-K-09850	6	5412 ESS Hinge with 2 Captive Hinge Pins
2	STK-Q-16095	0	M6 x 16mm Stainless Steel Ground Stud
1	STK-S-00100	0	3.5" x 2" Silver Milar Flexcon Sticker
1	1412BTSS111603DTC-P	0	1412BTSS 27" x 66" Left Cover Part
1	1412BTSS111603DTF-P	0	1412BTSS 27" x 132" Right Cover Part
6	880 SCQ4-SLSS6	7	5412 ESS 1/4 Turn Lock
Parts List			


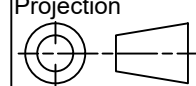
This drawing is confidential and must not be reproduced or used without the consent of EXM

Ce dessin est confidentiel et ne doit pas être reproduit ou utilisé sans le consentement de EXM



No.	Revisions	Date	By/Par



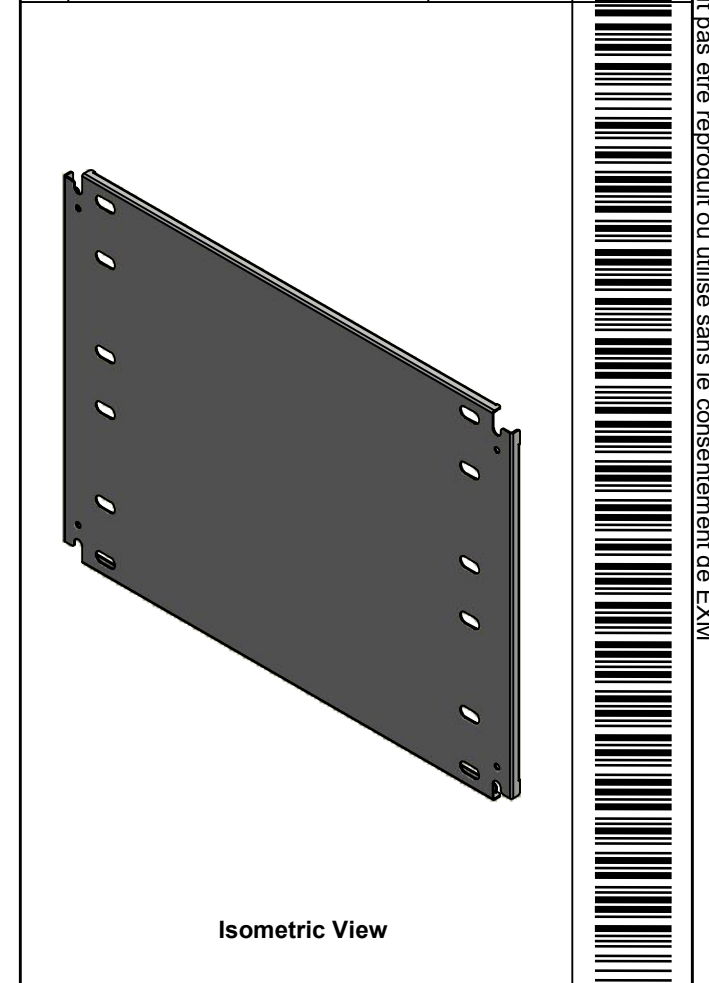
 Tél: (450) 979-4373 Fax: (450) 979-4626 www.exmweb.com		Flatness Aplatissement Max 3.0mm Projection 
Customer Client	Date	
Drawn By Dessiné Par	BoxCad: BoxCad	Date 2022-11-01
Material Matière	14 Ga Cold Rolled A1008 CS Type B (1.7mm)	
Color Couleur	White RAL9003	Finish Fini Smooth
Description	Detail Rev.	
1412BTSS 20.125" x 26.75" Left Inner Panel		
Part Number Numéro Pièce	Rev.	13
1412BTSS111603DTIP1	0	16


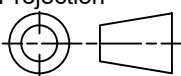
SEE BILL OF MATERIAL ON LAST PAGE

This drawing is confidential and must not be reproduced or used without the consent of EXM

Ce dessin est confidentiel et ne doit pas être reproduit ou utilisé sans le consentement de EXM

No.	Revisions	Date	By/Par

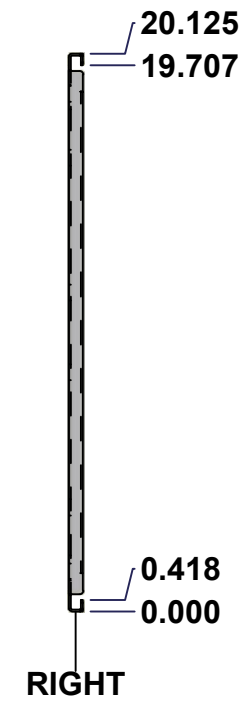
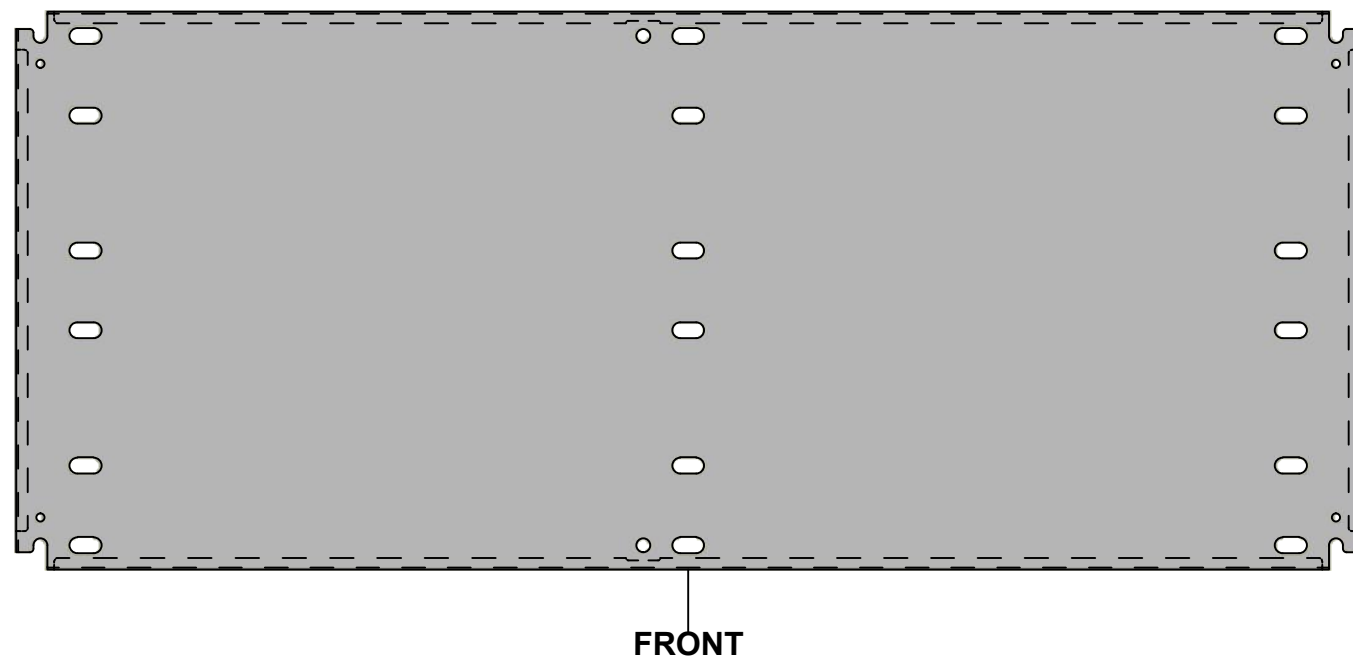
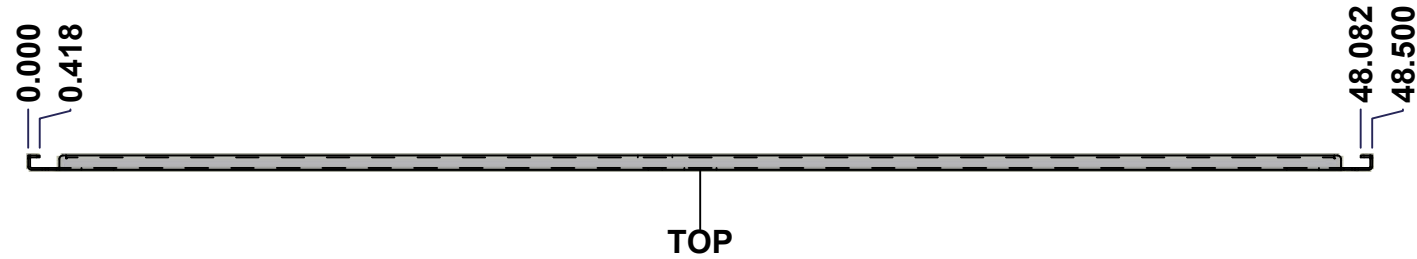


 Tél: (450) 979-4373 Fax: (450) 979-4626 www.exmweb.com		Flatness Aplatissement Max 3.0mm Projection 
Customer Client	Date	
Drawn By Dessiné Par	BoxCad: BoxCad	Date 2022-11-01
Material Matière	14 Ga Cold Rolled A1008 CS Type B (1.7mm)	
Color Couleur	White RAL9003	Finish Fini Smooth
Description 1412BTSS 20.125" x 26.75" Left Inner Panel		Detail Rev.
Part Number Numéro Pièce	Rev. 0	14 / 16

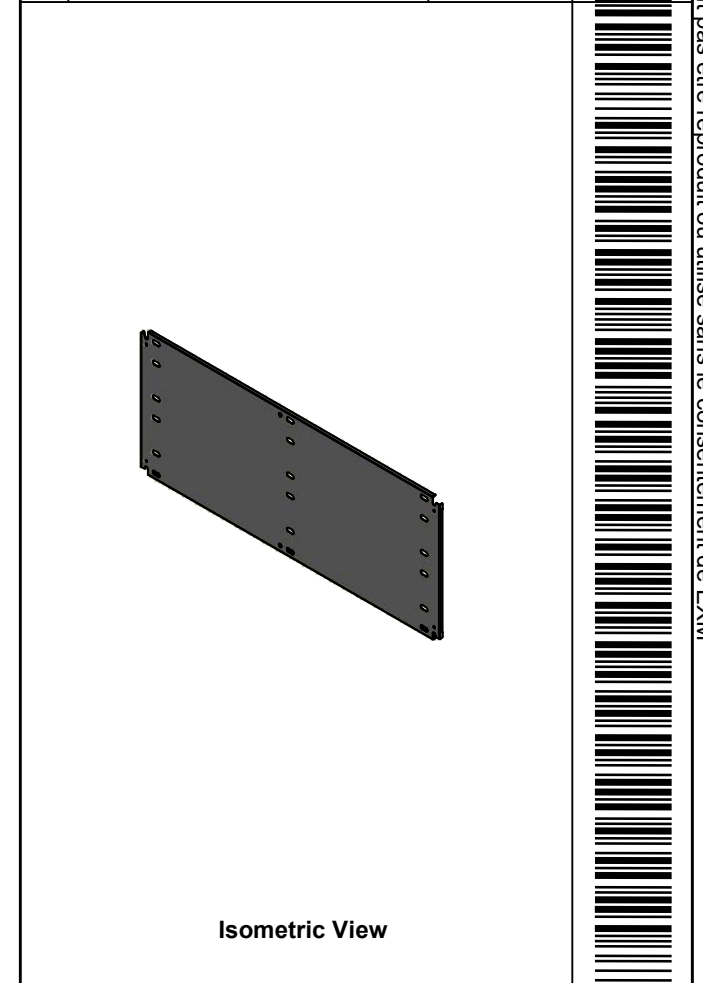
Qty	Part Number	Rev	Description
1	STK-P-02401S	0	Powder Paint (White / Smooth)
1	1412BTSS111603DTIP1-P	0	1412BTSS 20.125" x 132" Left Inner Panel Part
Parts List			


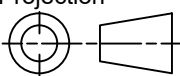
This drawing is confidential and must not be reproduced or used without the consent of EXM

Ce dessin est confidentiel et ne doit pas être reproduit ou utilisé sans le consentement de EXM



No.	Revisions	Date	By/Par



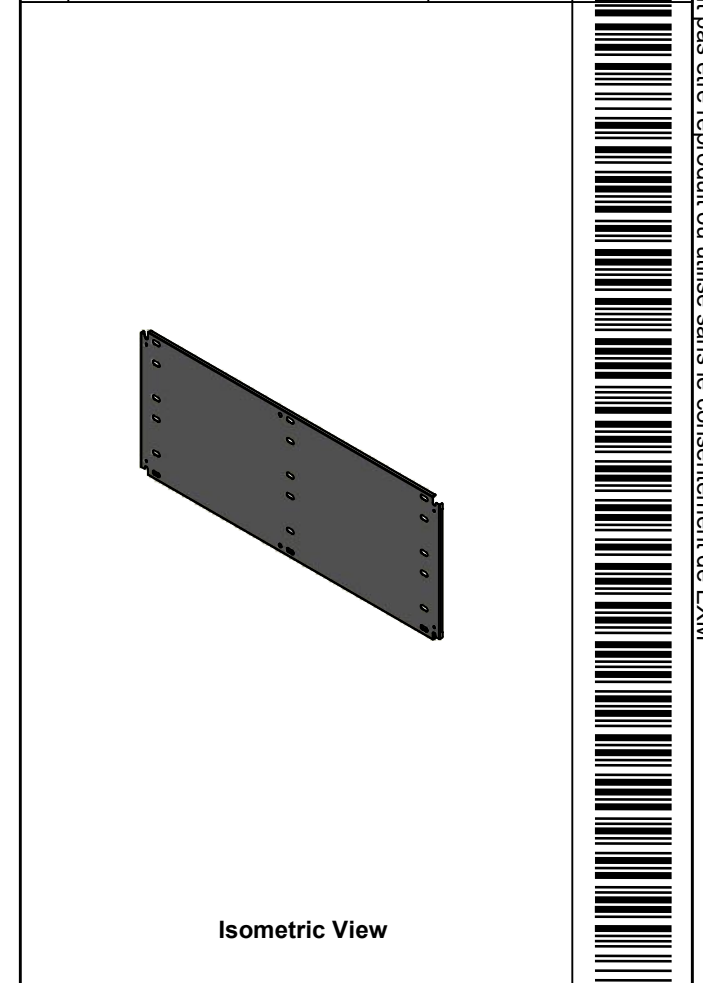
 Tél: (450) 979-4373 Fax: (450) 979-4626 www.exmweb.com		Flatness Aplatissement Max 3.0mm Projection 
Customer Client	Date	
Drawn By Dessiné Par	BoxCad: BoxCad	Date 2022-11-01
Material Matière	14 Ga Cold Rolled A1008 CS Type B (1.7mm)	
Color Couleur	White RAL9003	Finish Fini Smooth
Description	Detail Rev.	
1412BTSS 20.125" x 48.5" Right Inner Panel		
Part Number Numéro Pièce	Rev.	
1412BTSS111603DTIP2	0	15 16


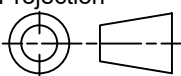
SEE BILL OF MATERIAL ON LAST PAGE

This drawing is confidential and must not be reproduced or used without the consent of EXM

Ce dessin est confidentiel et ne doit pas être reproduit ou utilisé sans le consentement de EXM

No.	Revisions	Date	By/Par



 Tél: (450) 979-4373 Fax: (450) 979-4626 www.exmweb.com		Flatness Aplatissement Max 3.0mm Projection 
Customer Client	Date	
Drawn By Dessiné Par	BoxCad: BoxCad	Date 2022-11-01
Material Matière	14 Ga Cold Rolled A1008 CS Type B (1.7mm)	
Color Couleur	White RAL9003	Finish Fini Smooth
Description 1412BTSS 20.125" x 48.5" Right Inner Panel		Detail Rev.
Part Number Numéro Pièce	Rev. 0	16 / 16

Qty	Part Number	Rev	Description
1	STK-P-02401S	0	Powder Paint (White / Smooth)
1	1412BTSS111603DTIP2-P	0	1412BTSS 20.125" x 132" Right Inner Panel Part
Parts List			