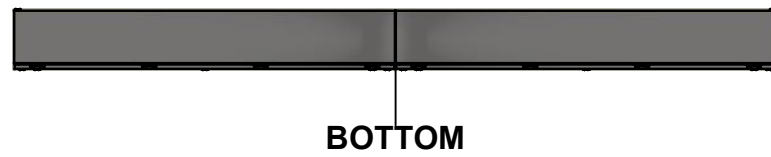
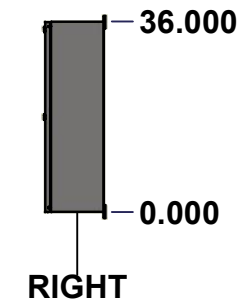
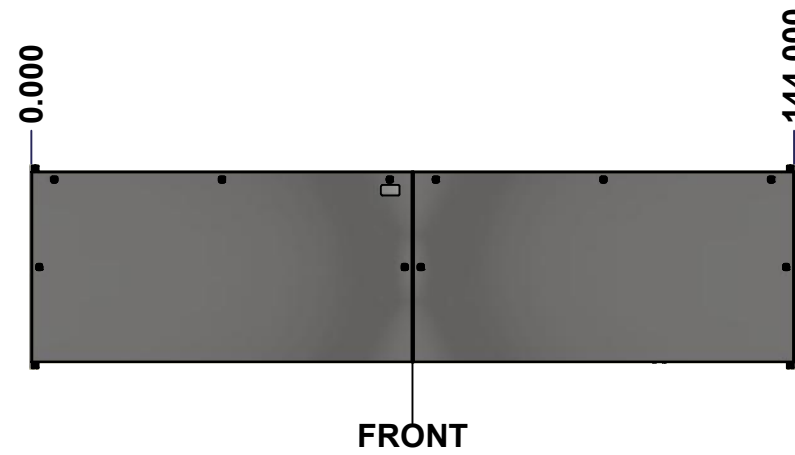
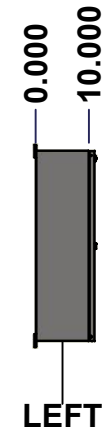
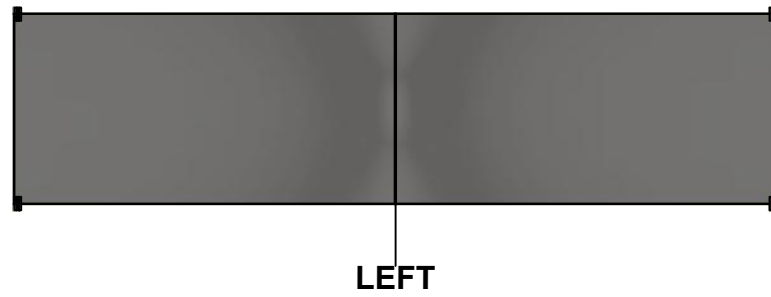
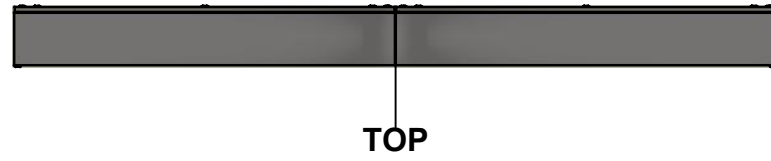
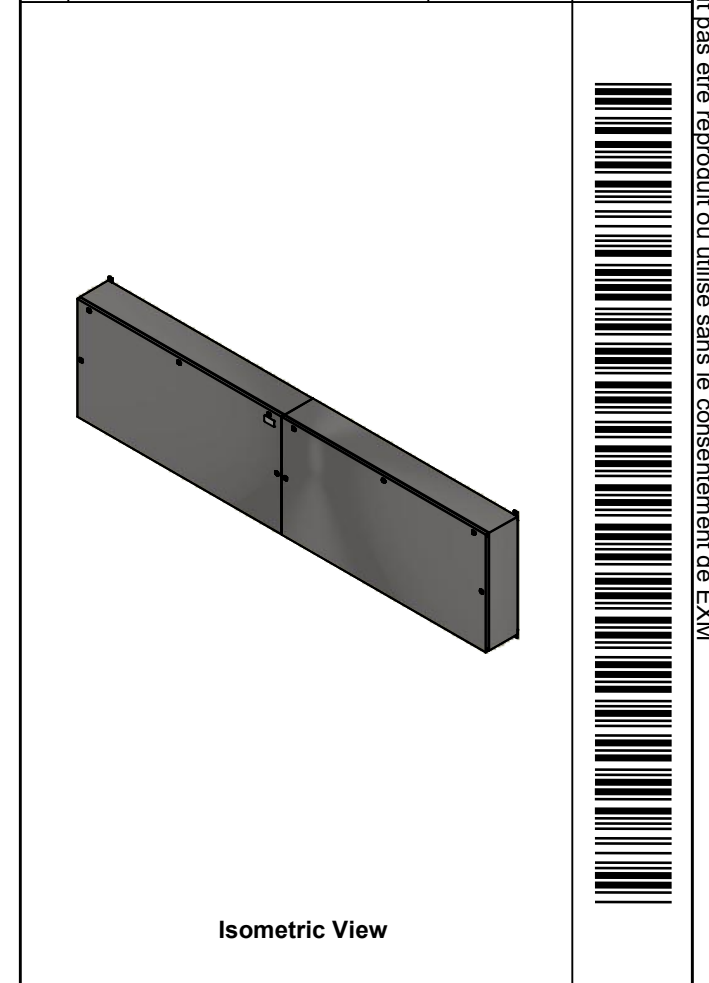



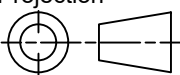
This drawing is confidential and must not be reproduced or used without the consent of EXM

Ce dessin est confidentiel et ne doit pas être reproduit ou utilisé sans le consentement de EXM



| No. | Revisions | Date | By/Par |
|-----|-----------|------|--------|
| | | | |
| | | | |
| | | | |
| | | | |
| | | | |



| | | |
|--|-----------------------------------|---|
|  Tél: (450) 979-4373 Fax: (450) 979-4626 www.exmweb.com | | Flatness Aplatissement Max 3.0mm Projection  |
| Customer Client | Date | |
| Drawn By Dessiné Par | BoxCad: BoxCad | Date 2022-09-23 |
| Material Matière | 14 Ga Stainless Steel 304 (1.7mm) | |
| Color Couleur | Unpainted | Finish Fini Brushed |
| Description 1412BTSS 800A - 5Wires x 144" Assembly | | Detail Rev. |
| Part Number Numéro Pièce | Rev. 0 | 1 13 |

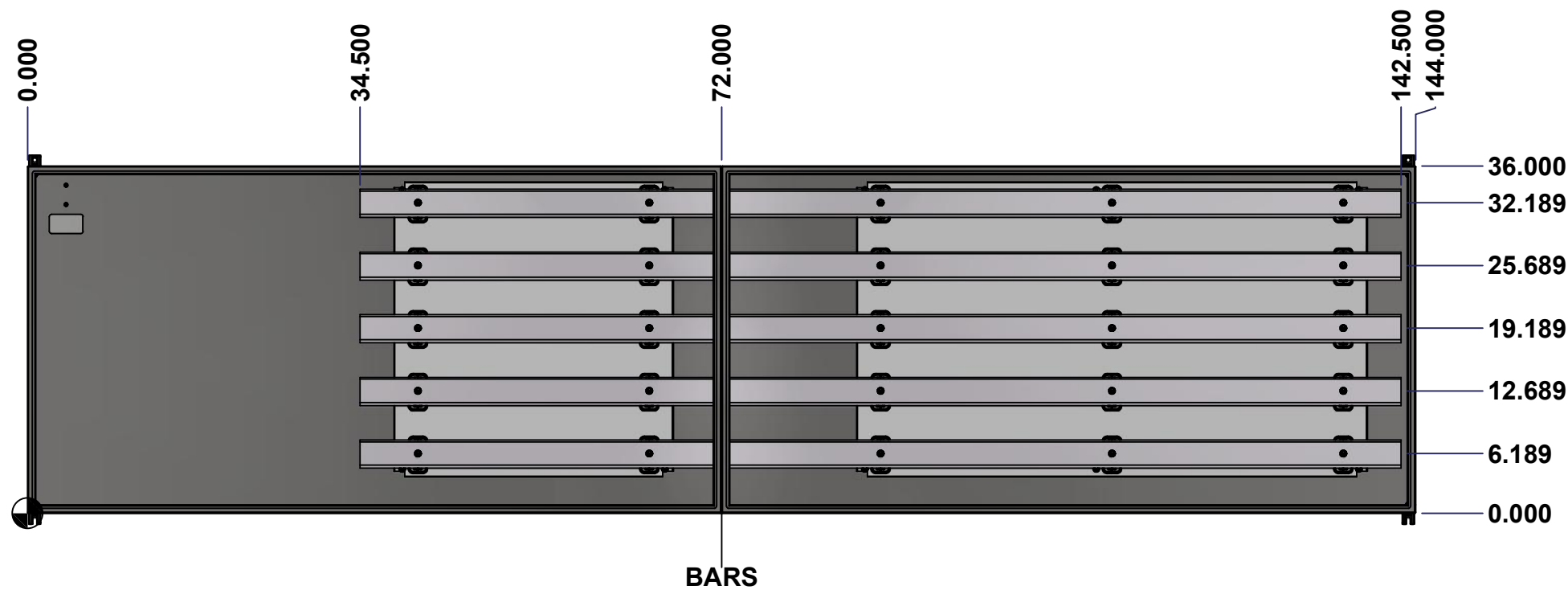
SEE BILL OF MATERIAL ON LAST PAGE

1412BTSS12805

This drawing is confidential and must not be reproduced or used without the consent of Eurobox

STANDARD FEATURES ARE NOT LISTED IN THIS HOLE TABLE

Ce dessin est confidentiel et ne doit pas être reproduit ou utilisé sans le consentement de Eurobox



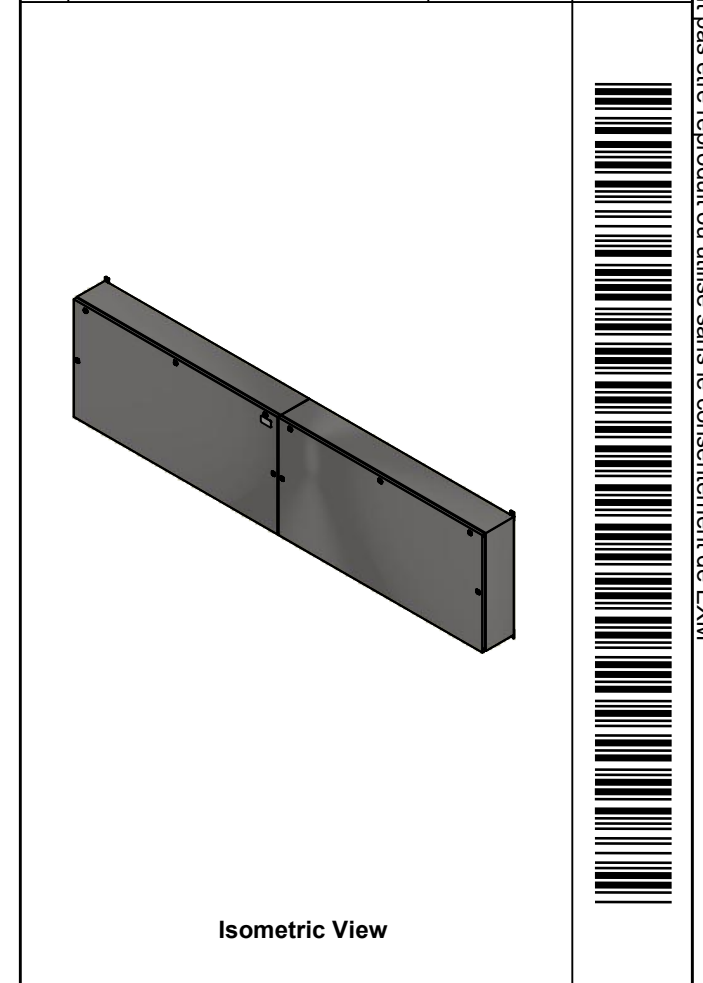
| | | | | |
|----------------------|--|----------|--------|--|
| | Description | | Status | |
| | 1412BTSS 800A - 5Wires x 144" Assembly | | (NULL) | |
| Part Number | | Rev. | 2 | |
| Numéro Pièce | | 0 | 13 | |
| 1412BTSS12805 | | | | |

This drawing is confidential and must not be reproduced or used without the consent of EXM

Ce dessin est confidentiel et ne doit pas être reproduit ou utilisé sans le consentement de EXM

| NOTE | |
|------|--|
| ITEM | DESCRIPTION |
| 1 | NEMA 4X Enclosure |
| 2 | C/W Standard ground studs on box and cover |
| 3 | W/O Standard door stiffener |
| 4 | C/W Special inner panel (Sold separately) |
| 5 | C/W Standard inner panel mounting studs |

| No. | Revisions | Date | By/Par |
|-----|-----------|------|--------|
| | | | |
| | | | |
| | | | |
| | | | |
| | | | |



| PACKING | | |
|-----------------------|-----|--|
| ITEM | QTY | DESCRIPTION |
| Cardboard sleeve | 2 | Top and Bottom |
| Cardboard strip | 2 | Between back of enclosure and inner panel |
| Plastic bag | 1 | To protect cover surface and inside gasket |
| Cardboard corner | 4 | To reinforced for the plastic strap tightening |
| Plastic strap - Black | 2 | To Squeeze 2 cardboard sleeve together |
| Packaging label | 3 | White label with PN |
| Plastic strap- Green | 2 | To secure the enclosure to the wood pallet |
| Wood Pallet | 1 | 2" deeper and 3" larger than enclosure size |

| | | | |
|------------|---------------------|-----|--|
| 8 | STK-Q-04051-07 | 8 | M6 x 7mm Stainless Steel Hexagon Socket Head Machine Screw with Nyseal |
| 1 | 885 ESMF2 | 0 | 885 ESMF2 Stainless Steel Mounting Feet Kit |
| 1 | 1412BTSS12805IP2 | 0 | 1412BTSS 30.625" x 53" Right Inner Panel |
| 1 | 1412BTSS12805BAR1-P | 0 | Rounded Edge Aluminum Bar 1/2" x 3" |
| 1 | 1412BTSS12805BAR2-P | 0 | Rounded Edge Aluminum Bar 1/2" x 3" |
| 1 | 1412BTSS12805BAR3-P | 0 | Rounded Edge Aluminum Bar 1/2" x 3" |
| 1 | 1412BTSS12805BAR4-P | 0 | Rounded Edge Aluminum Bar 1/2" x 3" |
| 1 | 1412BTSS12805BAR5-P | 0 | Rounded Edge Aluminum Bar 1/2" x 3" |
| 1 | 1412BTSS12805IP1 | 0 | 1412BTSS 30.625" x 29" Left Inner Panel |
| 25 | STK-A-67400 | 0 | Buss Bar Insulator Kit |
| 1 | STK-K-01800 | 5 | 5412 ES Accessory Kit |
| 35 | STK-Q-07310 | 2 | Flange Lock Nut M8 |
| 10 | STK-Q-07610 | 8 | M8 Plastic Spacer 22.2mm |
| 1 | 1412BTSS12805B | 0 | 1412BTSS 36" x 144" x 10" Body |
| 1 | 1412BTSS12805C | 0 | 1412BTSS 36" x 144" Cover |
| Qty | Part Number | Rev | Description |
| Parts List | | | |

Tél: (450) 979-4373
Fax: (450) 979-4626
www.exmweb.com

Flatness
Aplatissement
Max 3.0mm

Projection

Customer Client
Date

Drawn By
Dessiné Par BoxCad: BoxCad
Date 2022-09-23

Material
Matière 14 Ga Stainless Steel 304 (1.7mm)

Color
Couleur Unpainted

Finish
Fini Brushed

Description
1412BTSS 800A - 5Wires x 144" Assembly

Part Number
Numéro Pièce
1412BTSS12805

Detail Rev.

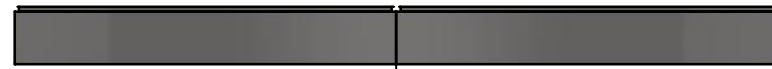
Rev. 0

3

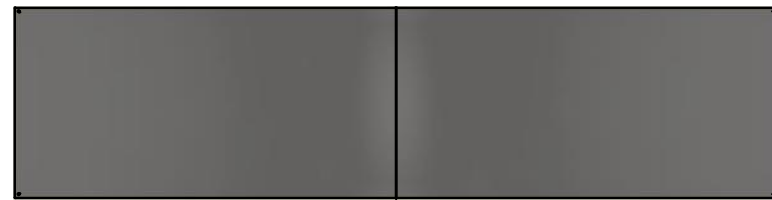
13

This drawing is confidential and must not be reproduced or used without the consent of EXM

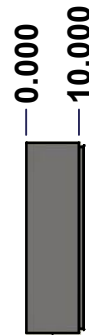
Ce dessin est confidentiel et ne doit pas être reproduit ou utilisé sans le consentement de EXM



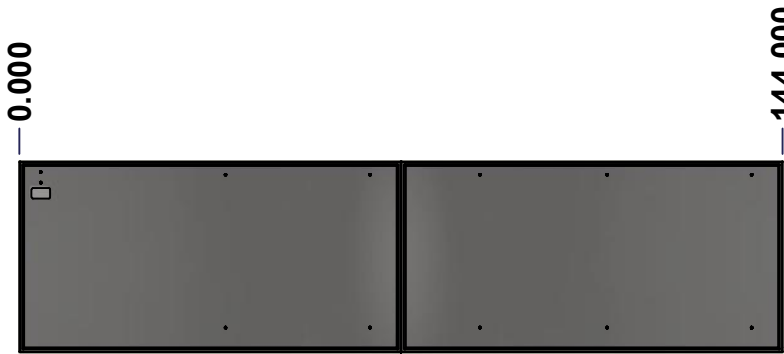
TOP



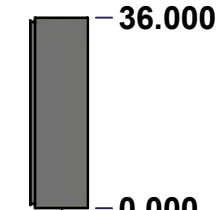
BACK



LEFT



FRONT

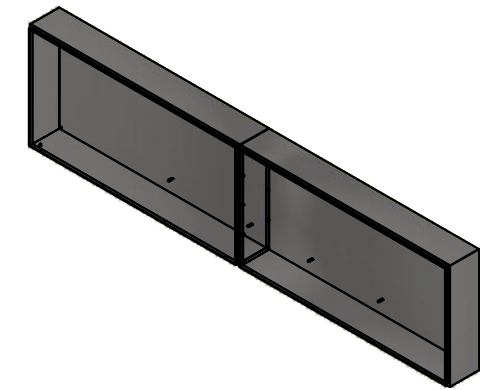


RIGHT



BOTTOM

| No. | Revisions | Date | By/Par |
|-----|-----------|------|--------|
| | | | |
| | | | |
| | | | |
| | | | |
| | | | |



Isometric View

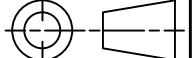


Tél: (450) 979-4373
 Fax: (450) 979-4626
www.exmweb.com

Flatness
Aplatissement

Max 3.0mm

Projection



| | |
|--|-----------------|
| Customer Client | Date |
| Drawn By Dessiné Par BoxCad: BoxCad | Date 2022-09-23 |

Material
Matière 14 Ga Stainless Steel 304 (1.7mm)

| | |
|----------------------------|------------------------|
| Color Couleur Unpainted | Finish Fini Brushed |
|----------------------------|------------------------|

| | |
|---|-------------|
| Description 1412BTSS 36" x 144" x 10" Body | Detail Rev. |
|---|-------------|

| | | | |
|--|------------------|---|----|
| Part Number Numéro Pièce 1412BTSS12805B | Rev. 0 | 4 | 13 |
|--|------------------|---|----|

SEE BILL OF MATERIAL ON LAST PAGE

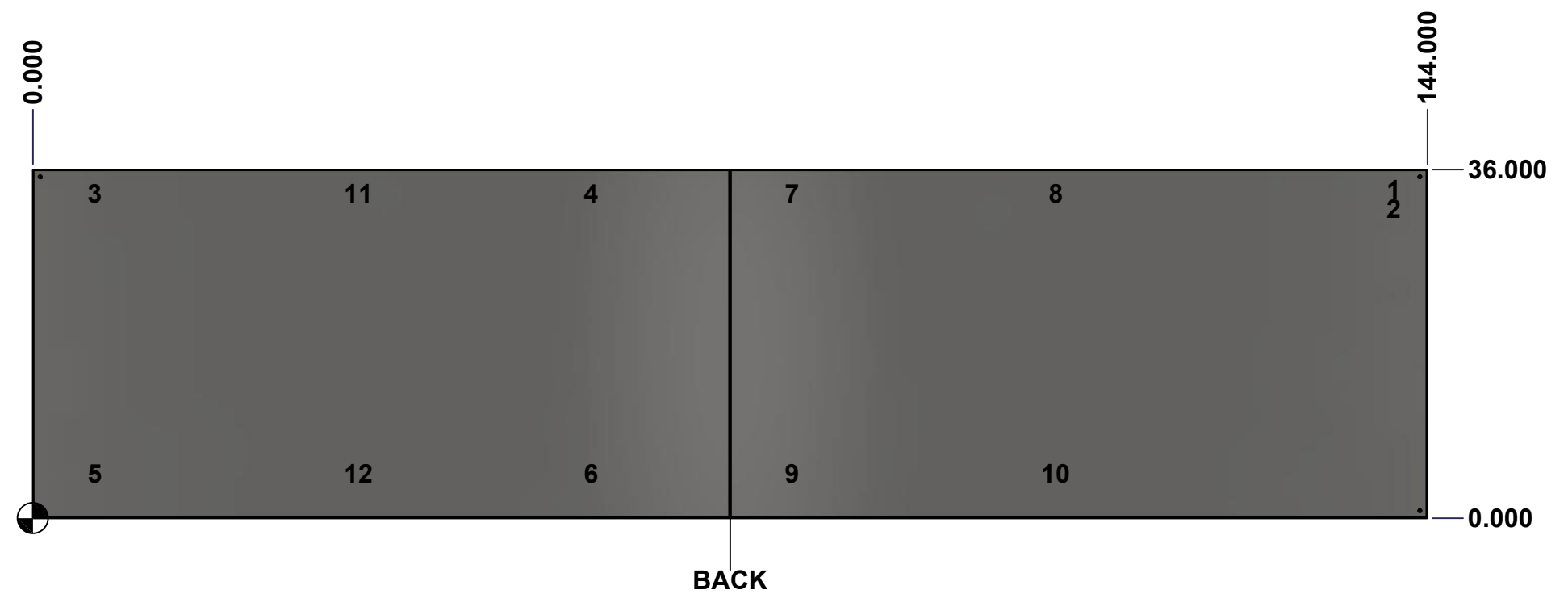
This drawing is confidential and must not be reproduced or used without the consent of Eurobox

Ce dessin est confidentiel et ne doit pas être reproduit ou utilisé sans le consentement de Eurobox

STANDARD FEATURES ARE NOT LISTED IN THIS HOLE TABLE

HOLE TABLE - BACK VIEW (CUSTOM FEATURE ONLY)

| CUT-OUT | XDIM | YDIM | DESCRIPTION |
|---------|---------|--------|-----------------------------|
| 1 | 140.000 | 34.000 | GND STUD M8 x 35mm (Inside) |
| 2 | 140.000 | 32.000 | GND STUD M8 x 35mm (Inside) |
| 3 | 5.875 | 33.500 | IP STUD M8 x 35mm (Inside) |
| 4 | 57.125 | 33.500 | IP STUD M8 x 35mm (Inside) |
| 5 | 5.875 | 4.625 | IP STUD M8 x 35mm (Inside) |
| 6 | 57.125 | 4.625 | IP STUD M8 x 35mm (Inside) |
| 7 | 77.875 | 33.500 | IP STUD M8 x 35mm (Inside) |
| 8 | 105.125 | 33.500 | IP STUD M8 x 35mm (Inside) |
| 9 | 77.875 | 4.625 | IP STUD M8 x 35mm (Inside) |
| 10 | 105.125 | 4.625 | IP STUD M8 x 35mm (Inside) |
| 11 | 33.125 | 33.500 | IP STUD M8 x 35mm (Inside) |
| 12 | 33.125 | 4.625 | IP STUD M8 x 35mm (Inside) |

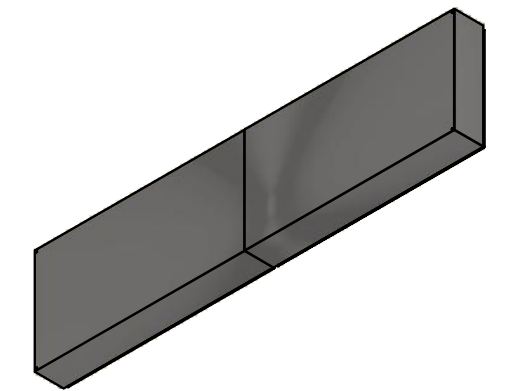


| | | |
|--|--------------------------------|--------------|
| | Description | Status |
| | 1412BTSS 36" x 144" x 10" Body | (NULL) |
| | Part Number Numéro Pièce | Rev. |
| | 1412BTSS12805B | 0 / 5 |
| | | 13 |

This drawing is confidential and must not be reproduced or used without the consent of EXM


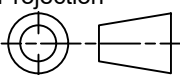
Ce dessin est confidentiel et ne doit pas être reproduit ou utilisé sans le consentement de EXM

| No. | Revisions | Date | By/Par |
|-----|-----------|------|--------|
| | | | |
| | | | |
| | | | |
| | | | |
| | | | |



Isometric View

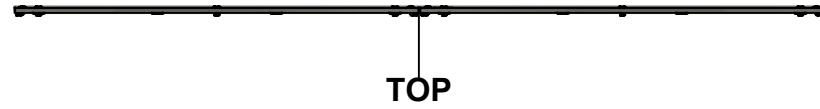


| | | |
|--|------------------------|---|
|  Tél: (450) 979-4373 Fax: (450) 979-4626 www.exmweb.com | | Flatness Aplatissement Max 3.0mm |
| Customer Client | | Projection  |
| Drawn By / Dessiné Par: BoxCad: BoxCad | | Date: 2022-09-23 |
| Material / Matière: 14 Ga Stainless Steel 304 (1.7mm) | | |
| Color / Couleur: Unpainted | Finish / Fini: Brushed | |
| Description: 1412BTSS 36" x 144" x 10" Body | | Detail Rev. |
| Part Number / Numéro Pièce: 1412BTSS12805B | | Rev. 0 |

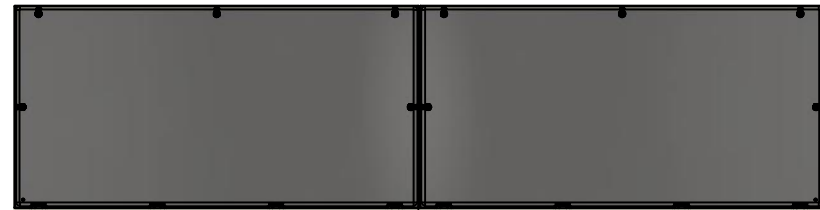
| Qty | Part Number | Rev | Description |
|------------|------------------|-----|---|
| 1 | 1412BTSS12805B-P | 0 | 1412BTSS 36" x 144" x 10" Left Body Part |
| 1 | 1412BTSS12805E-P | 0 | 1412BTSS 36" x 144" x 10" Right Body Part |
| 1 | STK-G-00701 | 0 | 1" x 1/4" Self-Adhesive Neoprene Gasket |
| 10 | STK-Q-00260 | 1 | M6 x 13mm Carriage Bolt |
| 10 | STK-Q-07220 | 1 | M6 Nylon Insert Lock Nut |
| 12 | STK-Q-16020 | 1 | Stud M8 x 35mm Stainless Steel |
| 2 | STK-Q-16095 | 0 | M6 x 16mm Stainless Steel Ground Stud |
| 1 | STK-S-00100 | 0 | 3.5" x 2" Silver Milar Flexcon Sticker |
| Parts List | | | |

This drawing is confidential and must not be reproduced or used without the consent of EXM

Ce dessin est confidentiel et ne doit pas être reproduit ou utilisé sans le consentement de EXM



TOP



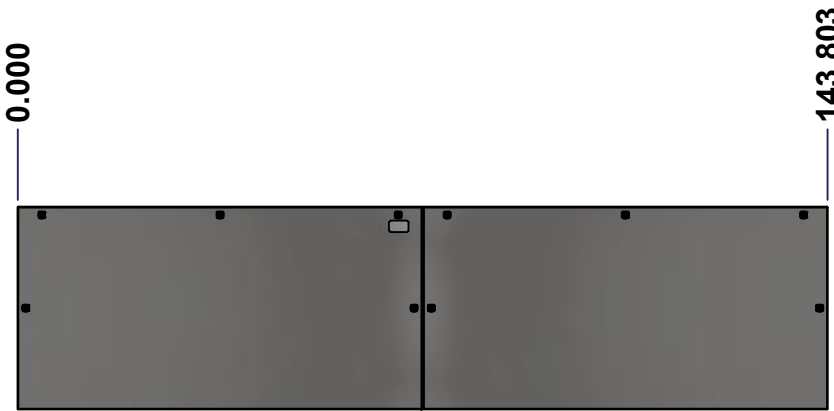
BACK



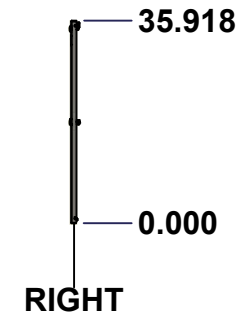
BOTTOM



LEFT

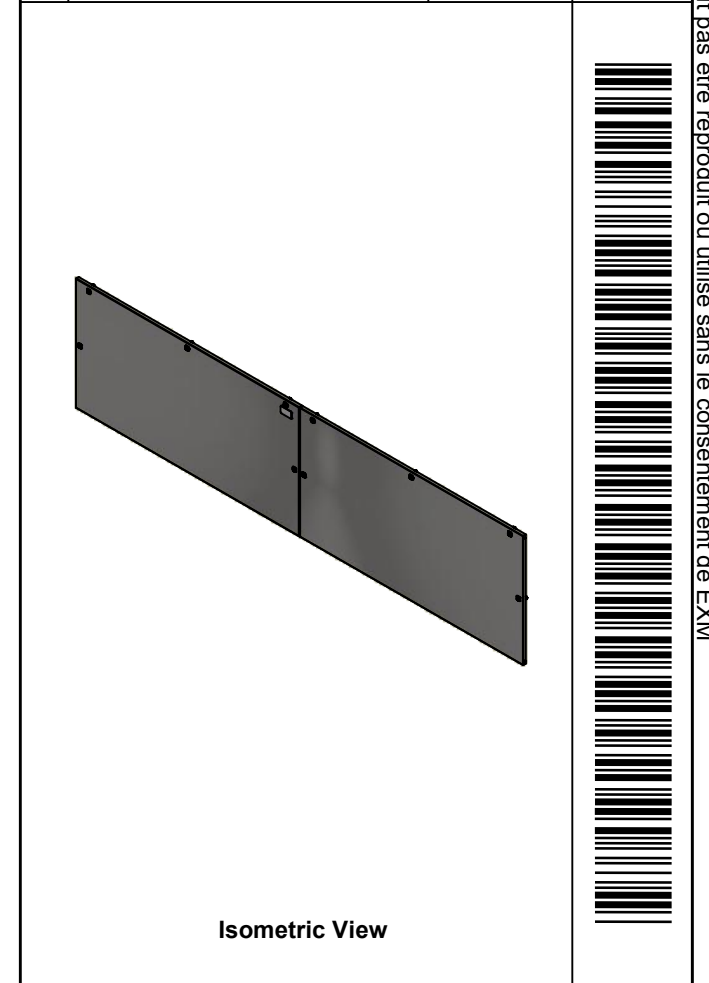



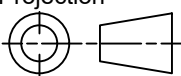
FRONT



RIGHT

| No. | Revisions | Date | By/Par |
|-----|-----------|------|--------|
| | | | |
| | | | |
| | | | |
| | | | |
| | | | |



| | | |
|--|-----------------------------------|---|
|  Tél: (450) 979-4373 Fax: (450) 979-4626 www.exmweb.com | | Flatness Aplatissement Max 3.0mm Projection  |
| Customer Client | Date | |
| Drawn By Dessiné Par | BoxCad: BoxCad | Date 2022-09-23 |
| Material Matière | 14 Ga Stainless Steel 304 (1.7mm) | |
| Color Couleur | Unpainted | Finish Fini Brushed |
| Description | Detail Rev. | |
| 1412BTSS 36" x 144" Cover | | |
| Part Number Numéro Pièce | Rev. | 7 |
| 1412BTSS12805C | 0 | 13 |

SEE BILL OF MATERIAL ON LAST PAGE

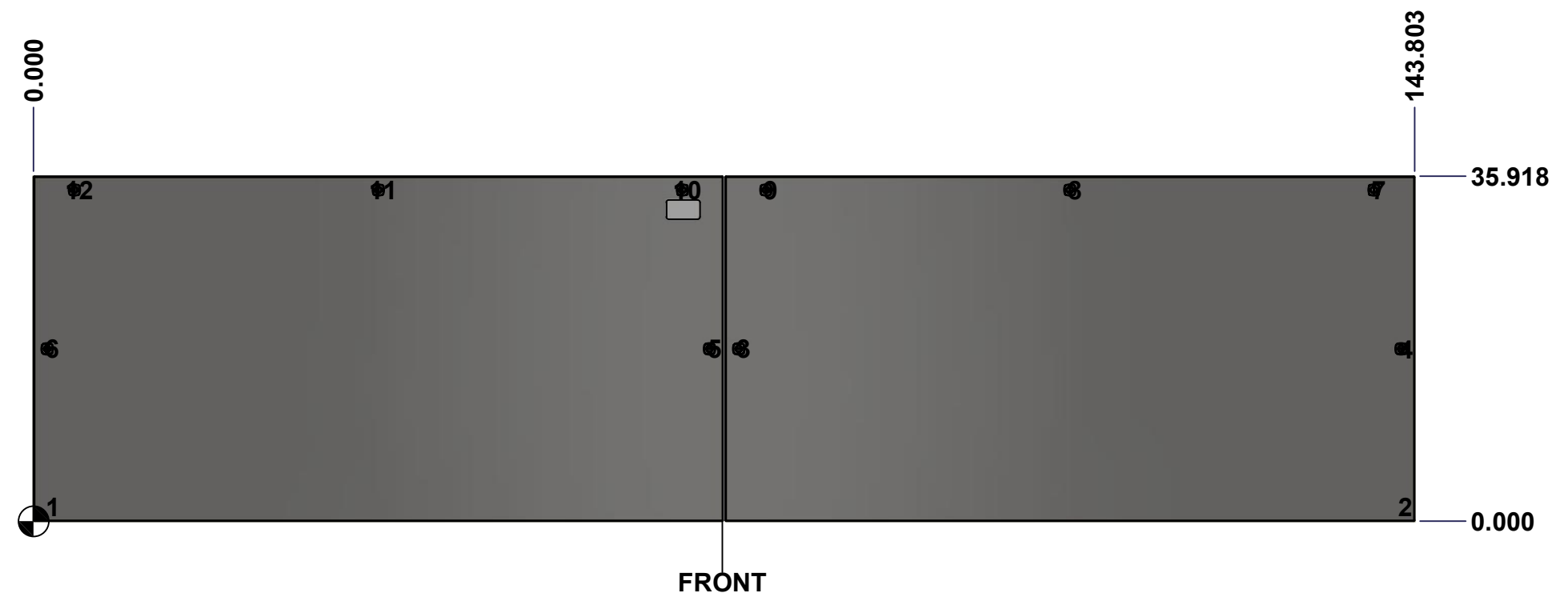
This drawing is confidential and must not be reproduced or used without the consent of Eurobox

Ce dessin est confidentiel et ne doit pas être reproduit ou utilisé sans le consentement de Eurobox

STANDARD FEATURES ARE NOT LISTED IN THIS HOLE TABLE

HOLE TABLE - FRONT VIEW (CUSTOM FEATURE ONLY)

| CUT-OUT | XDIM | YDIM | DESCRIPTION |
|---------|---------|--------|------------------------------|
| 1 | 1.500 | 1.486 | GND STUD M6 x 16mm (Inside) |
| 2 | 142.303 | 1.486 | GND STUD M6 x 16mm (Inside) |
| 3 | 73.424 | 17.959 | LOCK 880 SCQ4-SLSS6 @ 180.0° |
| 4 | 142.379 | 17.959 | LOCK 880 SCQ4-SLSS6 @ 0.0° |
| 5 | 70.379 | 17.959 | LOCK 880 SCQ4-SLSS6 @ 0.0° |
| 6 | 1.424 | 17.959 | LOCK 880 SCQ4-SLSS6 @ 180.0° |
| 7 | 139.553 | 34.494 | LOCK 880 SCQ4-SLSS6 @ 90.0° |
| 8 | 107.902 | 34.494 | LOCK 880 SCQ4-SLSS6 @ 90.0° |
| 9 | 76.250 | 34.494 | LOCK 880 SCQ4-SLSS6 @ 90.0° |
| 10 | 67.553 | 34.494 | LOCK 880 SCQ4-SLSS6 @ 90.0° |
| 11 | 35.902 | 34.494 | LOCK 880 SCQ4-SLSS6 @ 90.0° |
| 12 | 4.250 | 34.494 | LOCK 880 SCQ4-SLSS6 @ 90.0° |

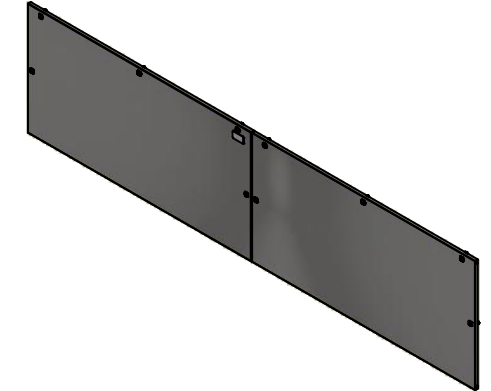


| | | | |
|--|-----------------------------|----------|----|
| | Description | Status | |
| | 1412BTSS 36" x 144" Cover | (NULL) | |
| | Part Number Numéro Pièce | Rev. | 8 |
| | 1412BTSS12805C | 0 | 13 |

This drawing is confidential and must not be reproduced or used without the consent of EXM


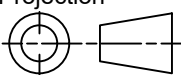
Ce dessin est confidentiel et ne doit pas être reproduit ou utilisé sans le consentement de EXM

| No. | Revisions | Date | By/Par |
|-----|-----------|------|--------|
| | | | |
| | | | |
| | | | |
| | | | |
| | | | |



Isometric View

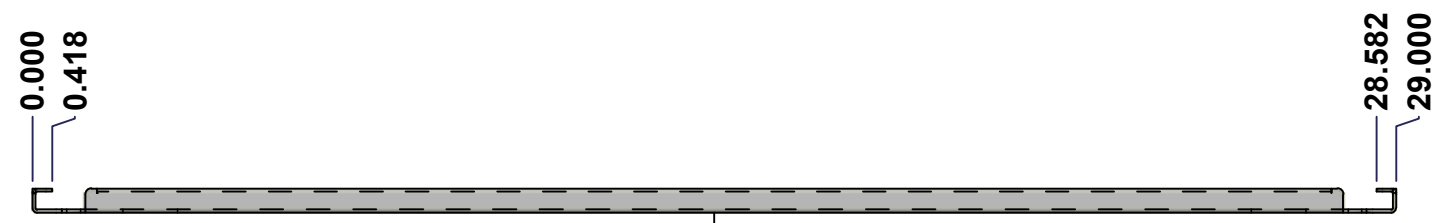


| | | |
|--|-----------------------------------|---|
|  Tél: (450) 979-4373 Fax: (450) 979-4626 www.exmweb.com | Flatness Aplatissement | Max 3.0mm |
| | Projection |  |
| Customer Client | Date | |
| Drawn By Dessiné Par | BoxCad: BoxCad | Date 2022-09-23 |
| Material Matière | 14 Ga Stainless Steel 304 (1.7mm) | |
| Color Couleur | Unpainted | Finish Fini Brushed |
| Description | Detail Rev. | |
| 1412BTSS 36" x 144" Cover | | |
| Part Number Numéro Pièce | Rev. 0 | 9 |
| 1412BTSS12805C | | 13 |

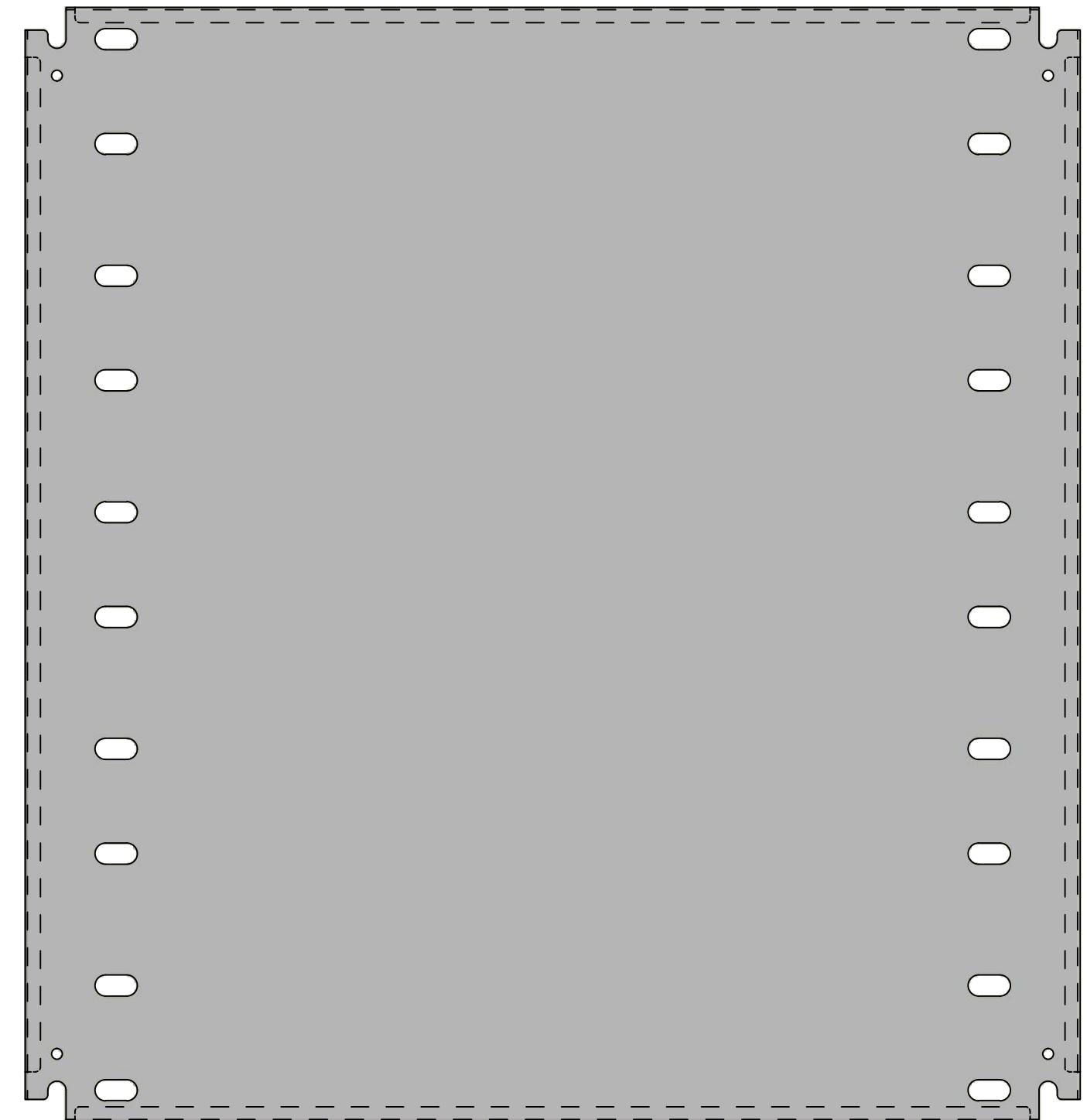
| Qty | Part Name | Rev | Description |
|------------|------------------|-----|--|
| 2 | 1412BTSS12805G | 0 | 1412BTSS 36" x 144" Cover Gasket |
| 8 | STK-K-09850 | 6 | 5412 ESS Hinge with 2 Captive Hinge Pins |
| 2 | STK-Q-16095 | 0 | M6 x 16mm Stainless Steel Ground Stud |
| 1 | STK-S-00100 | 0 | 3.5" x 2" Silver Milar Flexcon Sticker |
| 1 | 1412BTSS12805C-P | 0 | 1412BTSS 36" x 72" Left Cover Part |
| 1 | 1412BTSS12805F-P | 0 | 1412BTSS 36" x 144" Right Cover Part |
| 10 | 880 SCQ4-SLSS6 | 7 | 5412 ESS 1/4 Turn Lock |
| Parts List | | | |

This drawing is confidential and must not be reproduced or used without the consent of EXM

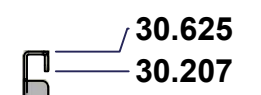
Ce dessin est confidentiel et ne doit pas être reproduit ou utilisé sans le consentement de EXM



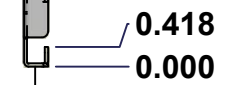
TOP



FRONT

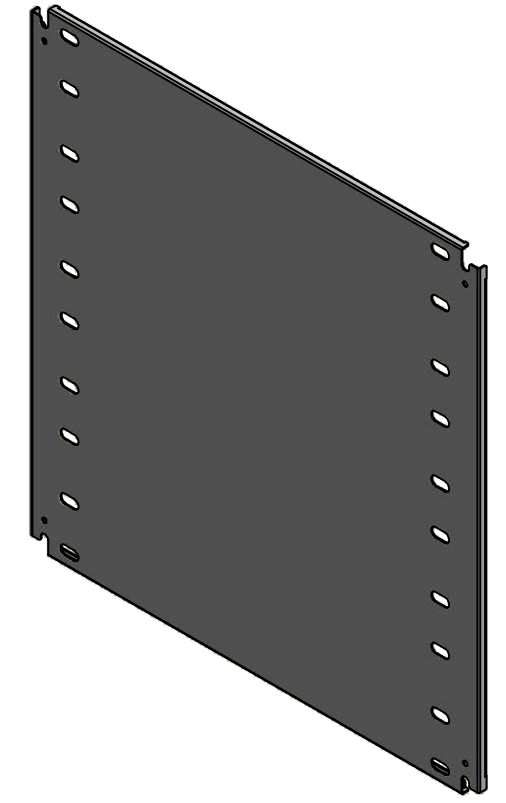


RIGHT




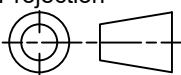
SEE BILL OF MATERIAL ON LAST PAGE

| No. | Revisions | Date | By/Par |
|-----|-----------|------|--------|
| | | | |
| | | | |
| | | | |
| | | | |
| | | | |



Isometric View

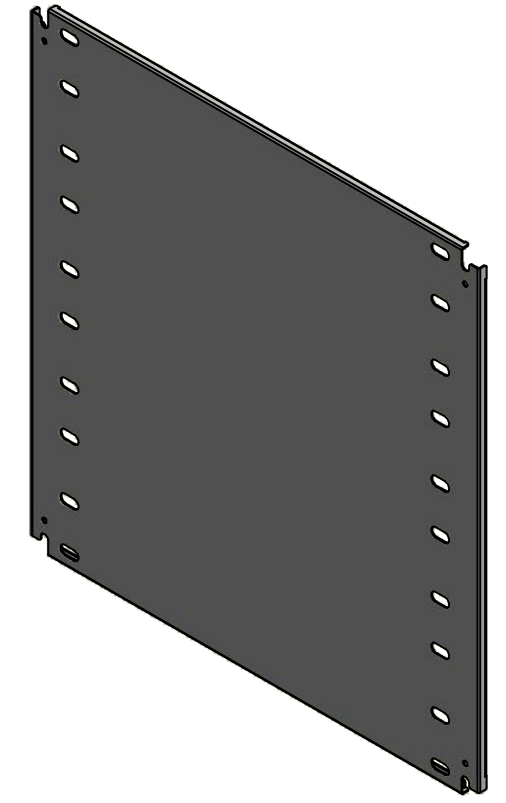


| | |
|--|---|
|  Tél: (450) 979-4373 Fax: (450) 979-4626 www.exmweb.com | Flatness Aplatissement Max 3.0mm |
| | Projection  |
| Customer Client | Date |
| Drawn By Dessiné Par BoxCad: BoxCad | Date 2022-09-23 |
| Material Matière 14 Ga Cold Rolled A1008 CS Type B (1.7mm) | |
| Color Couleur White RAL9003 | Finish Fini Smooth |
| Description 1412BTSS 30.625" x 29" Left Inner Panel | |
| Part Number Numéro Pièce 1412BTSS12805IP1 | Detail Rev. Rev. 10 0 |

This drawing is confidential and must not be reproduced or used without the consent of EXM


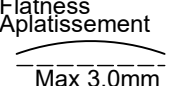
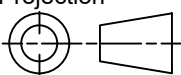
Ce dessin est confidentiel et ne doit pas être reproduit ou utilisé sans le consentement de EXM

| No. | Revisions | Date | By/Par |
|-----|-----------|------|--------|
| | | | |
| | | | |
| | | | |
| | | | |
| | | | |



Isometric View

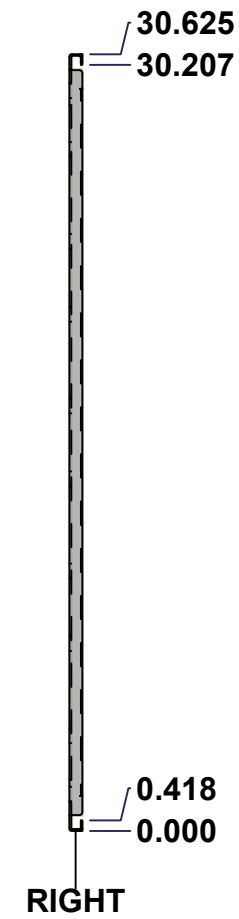
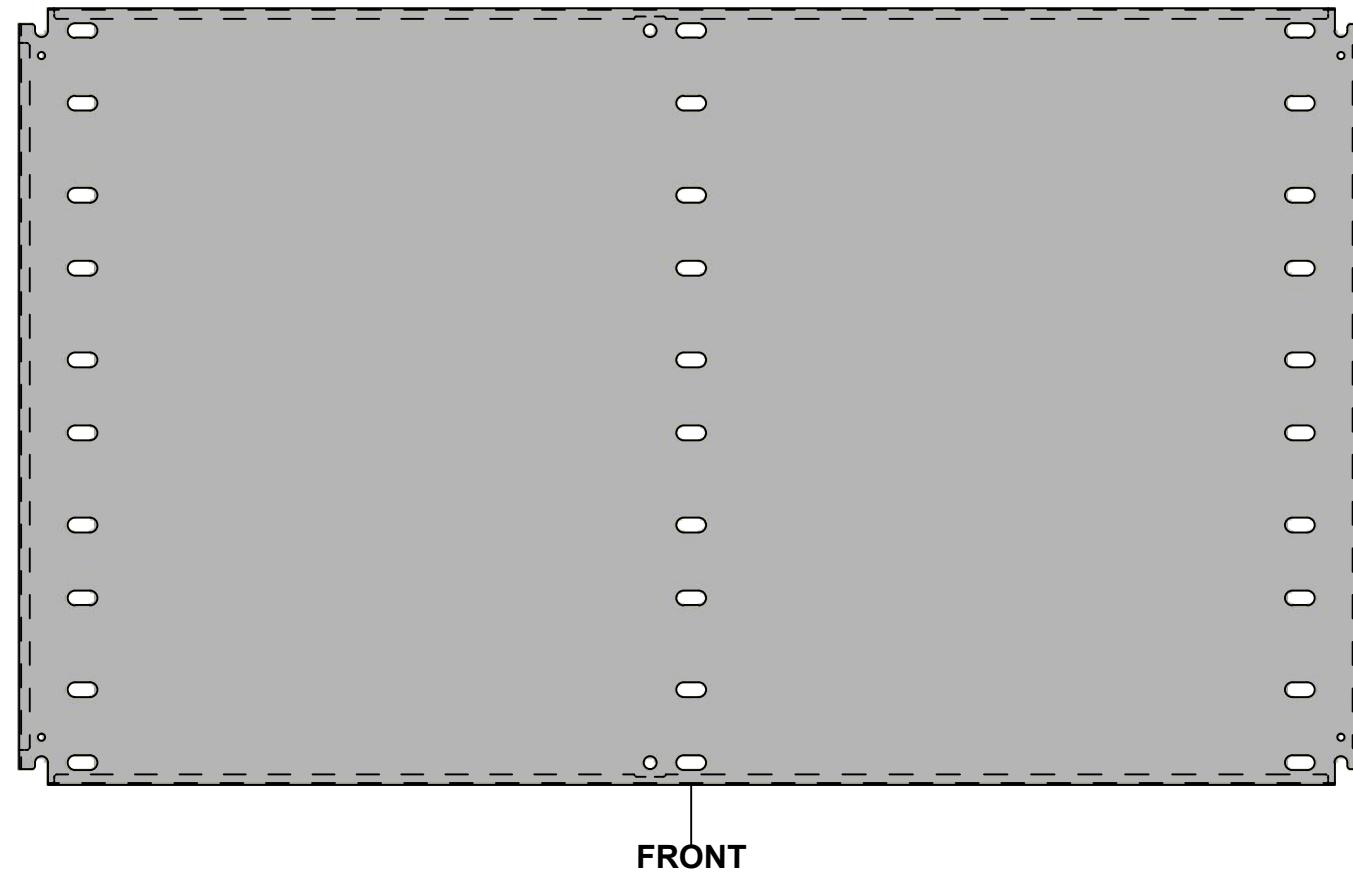
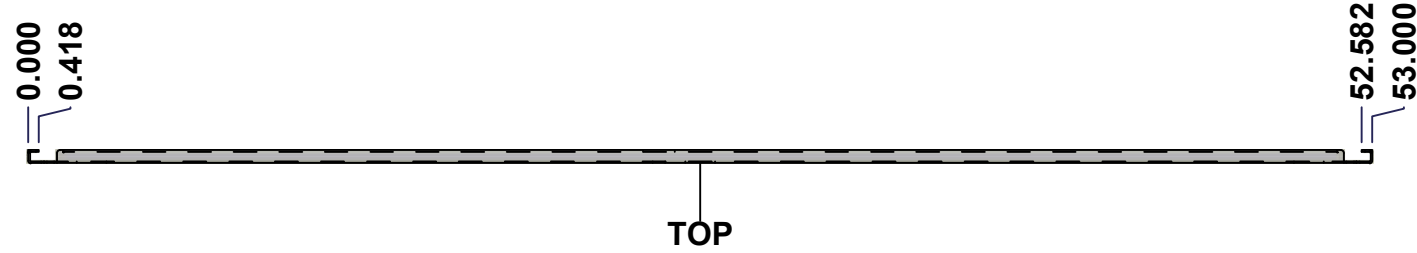


| | | |
|--|-----------------------|---|
|  Tél: (450) 979-4373 Fax: (450) 979-4626 www.exmweb.com | | Flatness Aplatissement  Max 3.0mm |
| Projection  | | Date 2022-09-23 |
| Customer Client | Date | |
| Drawn By / Dessiné Par: BoxCad: BoxCad | Date: 2022-09-23 | |
| Material / Matière: 14 Ga Cold Rolled A1008 CS Type B (1.7mm) | Date | |
| Color / Couleur: White RAL9003 | Finish / Fini: Smooth | Date |
| Description: 1412BTSS 30.625" x 29" Left Inner Panel | | Detail Rev. |
| Part Number / Numéro Pièce: 1412BTSS12805IP1 | Rev.: 0 | 11 / 13 |

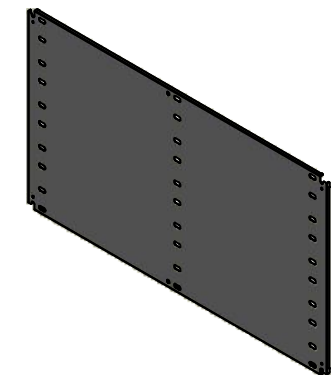
| Qty | Part Number | Rev | Description |
|------------|--------------------|-----|---|
| 1 | STK-P-02401S | 0 | Powder Paint (White / Smooth) |
| 1 | 1412BTSS12805IP1-P | 0 | 1412BTSS 30.625" x 144" Left Inner Panel Part |
| Parts List | | | |

This drawing is confidential and must not be reproduced or used without the consent of EXM

Ce dessin est confidentiel et ne doit pas être reproduit ou utilisé sans le consentement de EXM



| No. | Revisions | Date | By/Par |
|-----|-----------|------|--------|
| | | | |
| | | | |
| | | | |
| | | | |
| | | | |



Isometric View



Tél: (450) 979-4373
Fax: (450) 979-4626
www.exmweb.com

Flatness
Aplatissement
Max 3.0mm
Projection

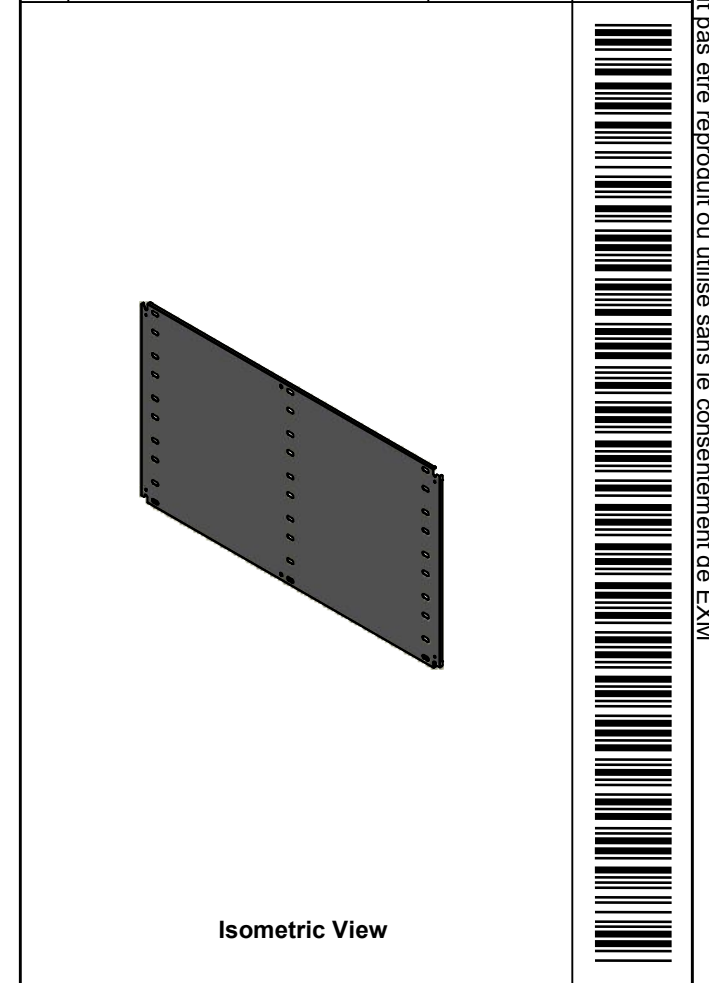
| | |
|---|------------------------------------|
| Customer Client | Date |
| Drawn By Dessiné Par BoxCad: BoxCad | Date 2022-09-23 |
| Material Matière 14 Ga Cold Rolled A1008 CS Type B (1.7mm) | |
| Color Couleur White RAL9003 | Finish Fini Smooth |
| Description 1412BTSS 30.625" x 53" Right Inner Panel | |
| Part Number Numéro Pièce 1412BTSS12805IP2 | Detail Rev. Rev. 12 0 |


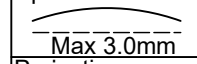
SEE BILL OF MATERIAL ON LAST PAGE

This drawing is confidential and must not be reproduced or used without the consent of EXM

Ce dessin est confidentiel et ne doit pas être reproduit ou utilisé sans le consentement de EXM

| No. | Revisions | Date | By/Par |
|-----|-----------|------|--------|
| | | | |
| | | | |
| | | | |
| | | | |
| | | | |



| | | |
|--|-----------------------|---|
|  Tél: (450) 979-4373 Fax: (450) 979-4626 www.exmweb.com | | Flatness Aplatissement  Max 3.0mm |
| Customer Client | | Date |
| Drawn By / Dessiné Par: BoxCad: BoxCad | | Date: 2022-09-23 |
| Material / Matière: 14 Ga Cold Rolled A1008 CS Type B (1.7mm) | | |
| Color / Couleur: White RAL9003 | Finish / Fini: Smooth | |
| Description: 1412BTSS 30.625" x 53" Right Inner Panel | | Detail Rev. |
| Part Number / Numéro Pièce: 1412BTSS12805IP2 | | Rev. 0 / 13 |

| Qty | Part Number | Rev | Description |
|------------|--------------------|-----|--|
| 1 | STK-P-02401S | 0 | Powder Paint (White / Smooth) |
| 1 | 1412BTSS12805IP2-P | 0 | 1412BTSS 30.625" x 144" Right Inner Panel Part |
| Parts List | | | |